

2000 JEEP GRAND CHEROKEE (WJ)

PARTS CATALOG

ILLUSTRATION AND TEXT
(CHASSIS - BODY - TRIM)

April 2002

SUPERSEDES
February 2002
ENGLISH



Jeep

CHRYSLER • PLYMOUTH • DODGE • JEEP

THE MOPAR DIFFERENCE

INDEX TO INFORMATION PAGES

The use of this Parts Catalog and the arrangement of information herein is explained in the General Information Section as indexed below.

Abbreviations	INF-14
Alphabetic Index	INF-11
Body Code Plate Interpretation	INF-13
Catalog Groups - Titles & Contents	INF-2
How to Use This Catalog and Locate Parts	INF-9
Illustration Index	INF-11
Illustration Numbering Index	INF-10
Index.....	INF-1
Logical Illustration Index.....	INF-3
Logical Illustrations	INF-10
Numerical Index	INF-11
Page Numbering.....	INF-10
Part Packages	INF-11
Standard Parts.....	INF-11
Symbols Used in this Catalog.....	INF-10
VIN Plate Decoding Information	INF-12

CATALOG GROUPS - TITLES & CONTENT

Group	Content
001	Mopar Accessories
002	Front Suspension & Drive
003	Rear Axle
004	Parking Brake
005	Service Brakes
007	Cooling
008	Electrical
009	Engine Mounting
011	Exhaust
013	Frames and Bumpers
014	Fuel
016	Propeller Shafts and U-Joints
017	Rear Suspension
019	Steering
022	Wheels, Covers and Jacks
024	Air Conditioning & Heater
025	Emission Systems
08A	Instrument Panel and Radios and Consoles
23D	Wiper/Lock Cylinder and Keys
242	Transfer Case Model 242
247	Transfer Case Model 247
3.1L	Engine 3.1L Five Cylinder(Turbo Diesel)
4.0L	Engine 4.0L Six Cylinder
4.7L	Engine 4.7L Eight Cylinder
42RE	Automatic Transmission 4 Speed
44RE	Automatic Transmission 4 Speed
45RFE	Automatic Transmission Multi-Speed
DWJ	Doors and Related Parts
EWJ	Exterior Ornamentation
IWJ	Interior Trim
SWJ	Body Sheet Metal Except Doors

LOGICAL ILLUSTRATION INDEX

Group	Logical Illustration	Logical Illustration Name
001	100	Audio & Electronics
001	1000	4 - Wheeling & Off Road
001	200	Carriers & Cargo Hauling
001	300	Driving Convenience
001	400	Exterior Appearance
001	500	Exterior Protection
001	600	Fog Lights & Electrical
001	800	Interior Storage
001	900	Security
002	100	Front Suspension & Strut
002	200	Front Axle Drive Shafts
002	300	Front Axle Housing
002	400	Front Axle Assembly
002	600	Front Axle Differential
002	800	Front Axle Skid Plate
003	100	Rear Axle
003	200	Differential and Housing
003	300	Rear Axle Vent
003	400	Rear Axle Shafts
004	100	Parking Brake Lever and Cables
005	100	Front Brakes
005	200	Rear Brakes
005	400	Brake Master Cylinder
005	500	Brake Lines and Hoses
005	600	Brake Pedals
007	100	Radiator and Related Parts
007	200	Water Pump and Related Parts
007	300	Tank, Coolant Engine
007	400	Pulleys and Related Parts
007	500	Drive Belts
007	600	Lines, Transmission Oil Cooler
007	700	Grilles
008	100	Starters

008	1000	Battery Tray and Cables
008	1100	Lamps - Front, Rear and Courtesy
008	1200	Wiring-Engine & Related Parts
008	1300	Wiring-Headlamp to Dash
008	1400	Wiring-Instrument Panel
008	1500	Wiring-Body & Accessories
008	1600	Wiring Repair
008	1900	Spark Plugs-Cables-Coils
008	200	Alternators
008	400	Modules
008	500	Relays
008	600	Sensors
008	700	Single Board Engine Controllers
008	800	Switches
008	900	Horns
009	100	Engine Mounting
011	100	Exhaust System
011	200	Heat Shields
013	200	Front Bumper and Fascia
013	300	Rear Bumper and Fascia
013	600	Trailer Tow
014	100	Tank, Fuel
014	1000	Speed Control
014	1100	Accelerator Pedal
014	200	Fuel Tank Filler Tube
014	300	Fuel Lines
014	400	Fuel Rail
014	500	Fuel Pump and Sending Unit
014	600	Throttle Body
014	700	Throttle Controls
014	800	Air Cleaner
014	900	Air Intake System
016	100	Propeller Shaft
017	100	Rear Suspension
017	200	Rear Stabilizer
019	100	Steering Wheel

019	200	Steering Column
019	300	Steering Gear
019	400	Steering Linkage
019	500	Power Steering Pump
019	700	Power Steering Hoses
022	100	Wheels and Hardware
022	200	Wheel Covers and Center Caps
022	300	Jack Stowage
022	400	Spare Tire Stowage
024	100	Air Conditioner and Heater Units
024	200	Air Conditioner and Heater Plumbing
024	300	Air Conditioner and Heater Controls
024	400	Air Conditioning Compressor
024	500	Air Conditioning Compressor Mounting
024	600	Air Ducts and Outlets
025	100	Emission Labels
025	200	EGR System
025	300	Vacuum Canister
025	400	Emission Harness
08A	100	Instrument Panel
08A	200	Instrument Panel Cluster
08A	300	Radio, Antenna, and Speakers
08A	400	Consoles
23D	100	Lock Cylinders and Keys
23D	200	Windshield Wiper and Washer Systems
23D	300	Rear Wiper and Washer System
242	100	Transfer Case Assembly
242	1200	Gearshift Controls
242	200	Case and Related Parts
242	400	Gear Train
242	900	Fork and Rails
247	100	Transfer Case Assembly
247	1200	Gearshift Controls
247	200	Case and Related Parts
247	400	Gear Train
247	900	Fork and Rails

3.1L	200	Cylinder Head
3.1L	300	Cylinder Block
3.1L	400	Crankshaft, Piston and Torque Converter
3.1L	500	Camshafts and Valves
3.1L	600	Timing Belt and Cover
3.1L	700	Engine Oiling
3.1L	800	Manifolds
3.1L	900	Crankcase Ventilation
4.0L	200	Cylinder Head
4.0L	300	Cylinder Block
4.0L	400	Crankshaft, Piston and Torque Converter
4.0L	500	Camshafts & Valves
4.0L	600	Timing Belt and Cover
4.0L	700	Engine Oiling
4.0L	800	Manifolds
4.0L	900	Crankcase Ventilation
4.7L	200	Cylinder Head
4.7L	300	Cylinder Block
4.7L	400	Crankshaft, Pistons and Torque Converter
4.7L	500	Camshafts and Valves
4.7L	600	Timing Belt and Cover
4.7L	700	Engine Oiling
4.7L	800	Manifolds
4.7L	900	Crankcase Ventilation
42RE	100	Transmission Assembly
42RE	1000	Overdrive Gear Train
42RE	1200	Gearshift Controls
42RE	200	Case and Extension
42RE	300	Oil Pump
42RE	400	Gear Train
42RE	500	Bands, Reverse and Kickdown
42RE	700	Valve Body
44RE	100	Transmission Assembly
44RE	1000	Overdrive Gear Train
44RE	1200	Gearshift Controls
44RE	200	Case and Extension

44RE	300	Oil Pump
44RE	400	Gear Train
44RE	500	Bands, Reverse and Kickdown
44RE	700	Valve Body
45RFE	100	Transmission Assembly
45RFE	1200	Gearshift Controls
45RFE	1300	Seal and Shim Packages
45RFE	200	Case and Extension
45RFE	300	Oil Pump
45RFE	400	Gear Train
45RFE	700	Valve Body
DWJ	100	Front Door
DWJ	200	Rear Door
DWJ	500	Exterior Mirror
DWJ	600	Weatherstrips and Seals
EWJ	100	Nameplates
EWJ	200	Moldings and Ornamentation
EWJ	300	Decals and Tapestripes
IWJ	100	Headliner and Visor
IWJ	1000	Lift Gate Trim
IWJ	200	Panel - Mouldings, Scuff Plates
IWJ	300	Carpet and Tonneau Cover
IWJ	400	Door Trim Panels
IWJ	500	Front Seats and Attaching Parts
IWJ	600	Rear Seats and Attaching Parts
IWJ	700	Seat Belts - Front and Rear
IWJ	800	Adjusters, Covers, Shields and Risers
SWJ	1100	Roof Panels
SWJ	1200	Sunroof
SWJ	1300	Liftgate Panel
SWJ	1600	Luggage Rack
SWJ	200	Floor Pans
SWJ	300	Plugs
SWJ	400	Front Fenders
SWJ	500	Hood and Hood Release
SWJ	600	Cowl and Dash Panel

SWJ	700	Glass and Rear View Mirror
SWJ	800	Aperture Panel
SWJ	900	Quarter Panel and Pillars

HOW TO USE THIS CATALOG AND LOCATE PARTS

This Catalog is divided into Part Groups in which illustrations for parts of a similar function and/or location are published. The Group contents listing on the next page shows the type of parts contained in each group. Tabs are provided or available to separate each group.

Several methods may be used to locate a specific part:

Option 1: From the Group Contents listing. Select the group which would most logically contain the part to be found. Open the catalog to the beginning of that group. The first page of the group will contain the part. Turn to the selected illustration and locate the part by reviewing the illustration item numbers and associated text information following the illustration.

Option 2: If the "noun" name of the part you seek is known, an alphabetical index of Nouns and illustration titles is provided to assist in finding the part. Several keys may be found in this index.

RESERVOIR, Power Steering Oil Pump Group 19	Group Reference
ALTERNATOR All Engines 8-210	Illustration Reference
BELT, Front Seat Imdl/710/3	Illustration/Item Reference
Group by Model _____	
Illustration Number _____	
Item _____	

Option 3: If the part number is known but the applications need to be determined, refer to the numerical index. This index shows the group, illustration number and each part listed in the catalog. Multiple references mean the part is listed more than once.

Option 4: Other options such as group identifiers exist in these catalogs. For Example, Group 23 Body has been broken in sections, i.e. 23A Sheet Metal now is S(model code). Example: SGS for model GS. Group 23C Doors now is D(model code) ex. DGS. Group 23 Exterior Ornamentation now is E(model code). This same logic applies to the Interior Trim Section (ex. IGS).

The Group 9 Engine sections in prior parts catalogs had been numbered 9A, 9B, 9C, etc. There was no real meaning to this numbering scheme. In this new MACS produced catalog the group numbering scheme is as follows: 2.5LD means 2.5 Liter Diesel Engine; 2.0L means 2.0 Liter Four Cylinder Gas Engine; 3.3L6T means 3.3 Liter Six Cylinder Transverse Mounted Engine; and 3.8L means 3.8 Liter Six Cylinder Engine. Also note that Engine Mounting parts are located in Group 9.

PAGE NUMBERING

Two-part page numbers are used throughout this catalog. The first part of the page designation indicates one major group or section. The second part indicates the actual page number in the group. For example:

2-1 indicates Group 2, Front Suspension, Page 1
3-4 indicates Group 3, Axle Rear, Page 4

In the maintenance of the Loose Leaf Parts Catalog Revision Service, it may become necessary to add information beyond the capacity of the page. In this event, an "A" page will be used. For example, if it becomes necessary, because of change, to add several part numbers to page 2-1 and space does not permit the addition, you will be given Page 2-1A. Page 2-1A should be filed immediately following Page 2-1.

Figure and Item Numbers are also commonly used to identify locations in the Catalog, ie., 14-910/8 refers to Group 14, illustration 910, Item Number 8. Illustration Numbers are always ascending sequential within the Groups.

SYMBOLS USED IN THIS CATALOG

The Following symbols are commonly used with Part Number and Quantity information in this Catalog:

AR - Indicates the quantity required may vary or is to be determined by the user.

PAR - Indicates "Paint As Required"

BLANK - Indicates "All Condition

- = "Not Illustrated"

LOGICAL ILLUSTRATIONS

Refer to Illustration in front of each group. This will give assistance to as how each group is broken down and what Specific Illustration should be referenced.

ILLUSTRATION NUMBERING INDEX

Illustration numbers in this Catalog are Group standards. This indicates group and consistent content. EXAMPLE: 8-100 is a Logical Illustration for Starters. 8-101 to 8-199 are Specific Illustrations used for Starters for all Catalogs. 8-200 will contain Alternators for all Catalogs and so on. Always refer to group index in front of each group.

ILLUSTRATION INDEX

This index is a compilation of catalog parts description data with reference to illustrations, figures and key numbers as shown:

Fender ic; Model.....Group: S(Model)Illustration 410
(Fender is located in Sheet Metal Section (S) in Illustration 410)

The first page of each group contains a listing of all illustrations and group breakdown within that group. Also refer to illustrations alphabetically listed in information section.

ALPHABETIC INDEX

This index is a compilation of catalog parts description data with a reference to the location of the item by Group, Figure, and Key Number as shown in the following example:

Housing, w/Pump.....Group 7 Illustration 210 Item 10
(Housing, w/Pump.....7-210/10)

The index will be expanded progressively as data is added to computer files. To locate a part by name refer to the Alphabetical Index. This index indicates the group and illustration and item number where the part is located. Alphabetical Index can be found in INF section of this Catalog.

NUMERICAL INDEX

A listing of Part Numbers contained in the catalog. The numbers are in numerical sequence with reference to the group and Illustration and item number where the part is located.

PARTS PACKAGES

Service Parts Packages, containing all parts needed for specific service operation, are listed in their respective groups with related parts. The listing will show adaptability and model application.

STANDARD PARTS

Important attaching standard parts such as bolts, nuts, etc, are generally listed in the text of the respective major parts groups.

VIN PLATE DECODING INFORMATION

1	2	3	4	5	6	7	8	9	10	11	12 thru 17
Country	Make	Vehicle Type	Other	Line	Series	Body Style	Engine	Check Digit	Model Year	Assy. Plant	Sequence No.

The following table interprets the VIN Plate positions shown above.

Position	Interpretation	Codes = Description
1	Country of Origin	United States
2	Assembler	J = Jeep
3	Vehicle type	4 = Multipurpose Passenger Vehicle
4	GVWR & Pass. Safety	D = 1 - 3000lbs (0-1360KGS) E = 3001-4000lbs (1361-1814KGS) F = 4001-5000lb (1815-2267KGS) G = 5001-6000lbs (2268-2721KGS) H = 6001-7000lbs (2722-3175KGS) J = 7001-8000lbs (3176-3628KGS) K = 8001-9000lbs (3629-4082KGS) L = 9001-10000lbs (4083-4535KGS) M = 10001-14000lbs (4536-6350KGS)
5	Vehicle Line	2 = Grand Cherokee 4x2 (LHD) W = Grand Cherokee 4x4 (LHD) 7 = Grand Cherokee 4x2 (RHD) 8 = Grand Cherokee 4x4 (RHD)
6	Series	4 = Laredo - High Line 5 = Limited - Premium
7	Body Style	8 = 4 Dr. Sport Utility
8	Engine	S = 4.0L 6 Cyl. Gas (MPI) Unleaded (ERH) N = 4.7L 8 Cyl Gasoline (MPI) (EVA) 4 = 3.1L 5 Cyl Turbo Diesel (EXA)
9	Check Didgit	
10	Model Year	Y = 2000
11	Assembly Plant	C = Jefferson Assembl Y = Steyr Assembly
12 thru17	Vehicle Build Sequence	Model Year Assembly Sequence

BODY CODE PLATE INTERPRETATION

The Body Code Plate is located on the Left Front Side Shield or Wheel Housing or the Upper Radiator Support. The Plate contains 7 rows of data. The bottom 3 rows are reserved for the specific information as depicted below. Starting at the fourth row (following the reserved portion), other Sales Codes used to build a specific vehicle are listed in the ascending order by ALPHA sequence.

1	2	3	4	5	6	7	8	9	10	11	12	13	14	15	16	17	18	19	20	21
22	23	24	25	26	27	28	29	30	31	32	33	34	35	36	37	38	39			
40	41	42	43	44	45	46	47	48	49	50	51	52	53	54	55	56	57	58	59	60

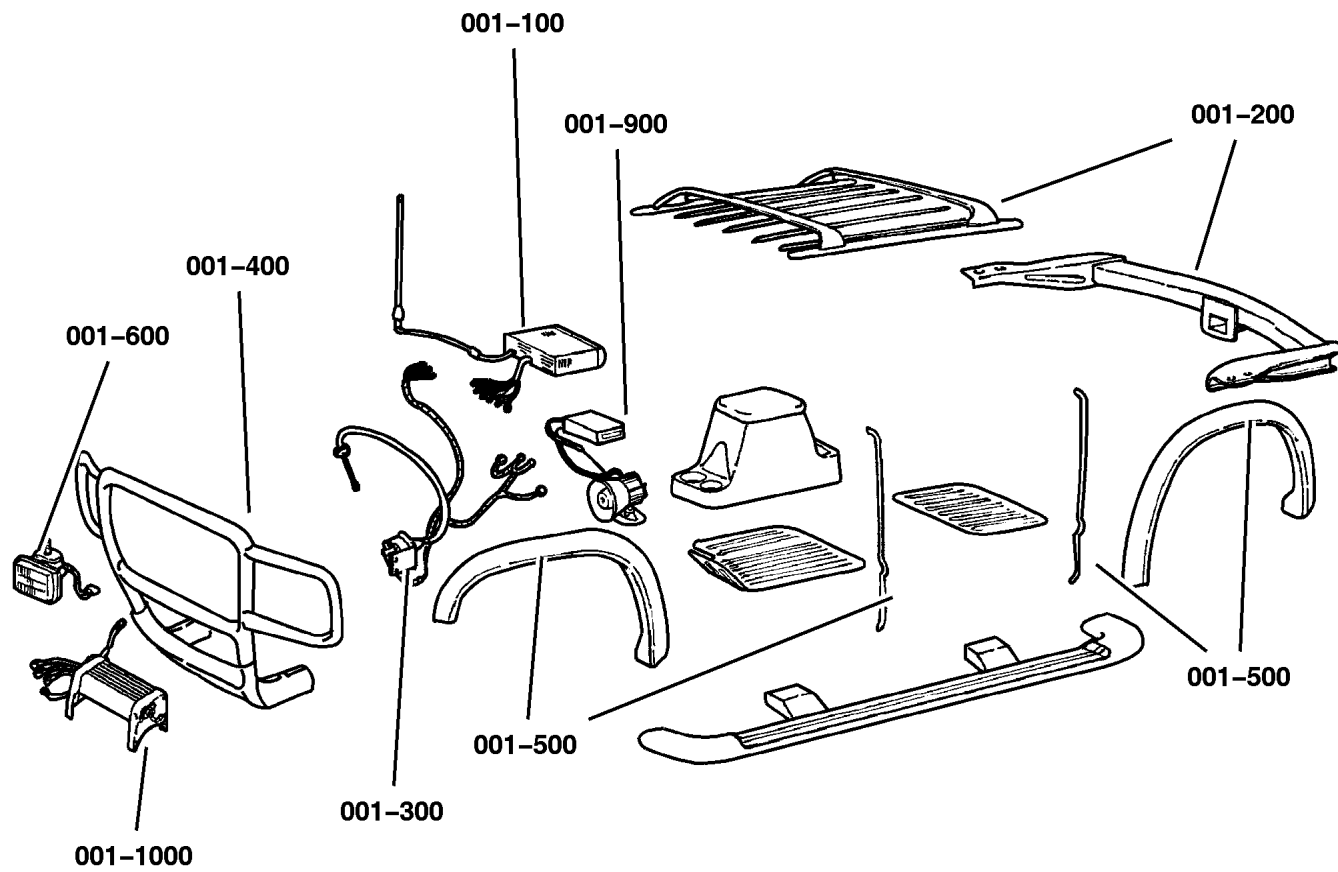
1-12	VEHICLE ORDER NUMBER
13-15	VINYL ROOF CODE/DOOR COMBO CODES
16-18	VEHICLE SHELL CAR LINE
19	PRICE CLASS
20-21	BODY TYPE
22-24	PAINT PROCEDURE
25-28	PRIMARY PAINT
29-32	SECONDARY PAINT
33-36	INTERIOR TRIM CODE
37-39	ENGINE CODES
40-42	TRANSMISSION CODES
43	MARKET CODES
44-46	VEHICLE IDENTIFICATION NUMBER (VIN) For definition of the Elements and the individual position see Vin Plate Defined.

ABBREVIATIONS

A/C	Air Conditioner
ABS	Anti-Lock Brakes System
AR	As Required
ATC	Automatic Temperature Control
AWD	All Wheel Drive
BUX	Built Up Export
CV	Constant Velocity
DOHC	Dual (or Double) OverHead Cam
EFI	Electronic Fuel Injection
EGR	Exhaust Gas Recirculation
ECU	Electronic Control Unit
FWD	Front Wheel Drive
HEX	HEXagon
HCU	Hydraulic Control Unit
I/D	Inside Diameter
L	Liter
LED	Light Emitting Diode
MAP	Manifold Absolute Pressure
MPH	Miles Per Hour
O/D	Outside Diameter
P/S	Power Steering
PSI	Pounds per Square Inch
PSF	Pounds per Square Foot
PRNODL	Park, Reverse, Neutral, Overdrive, Drive, Low
PRNDL	Park, Reverse, Neutral, Drive, Low
PTO	Power Take Off
RFI	Radio Frequency Interference
RPM	Revolutions Per Minute
RTV	Room Temperature Vulcanizer (sealant)
T/BODY	Throttle BODY
U/BODY	Under BODY
SOHC	Single OverHead Cam
PAR	Paint As Required

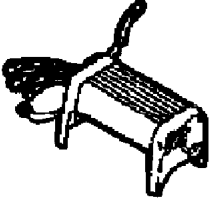
Group – 001

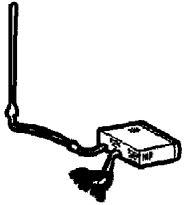

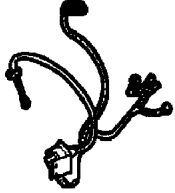
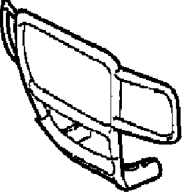
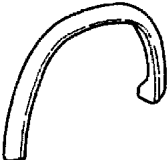
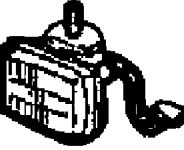

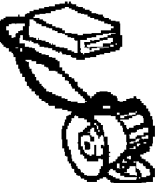
Component Parts for Mopar Accessories



Group – 001

Component Parts for Mopar Accessories

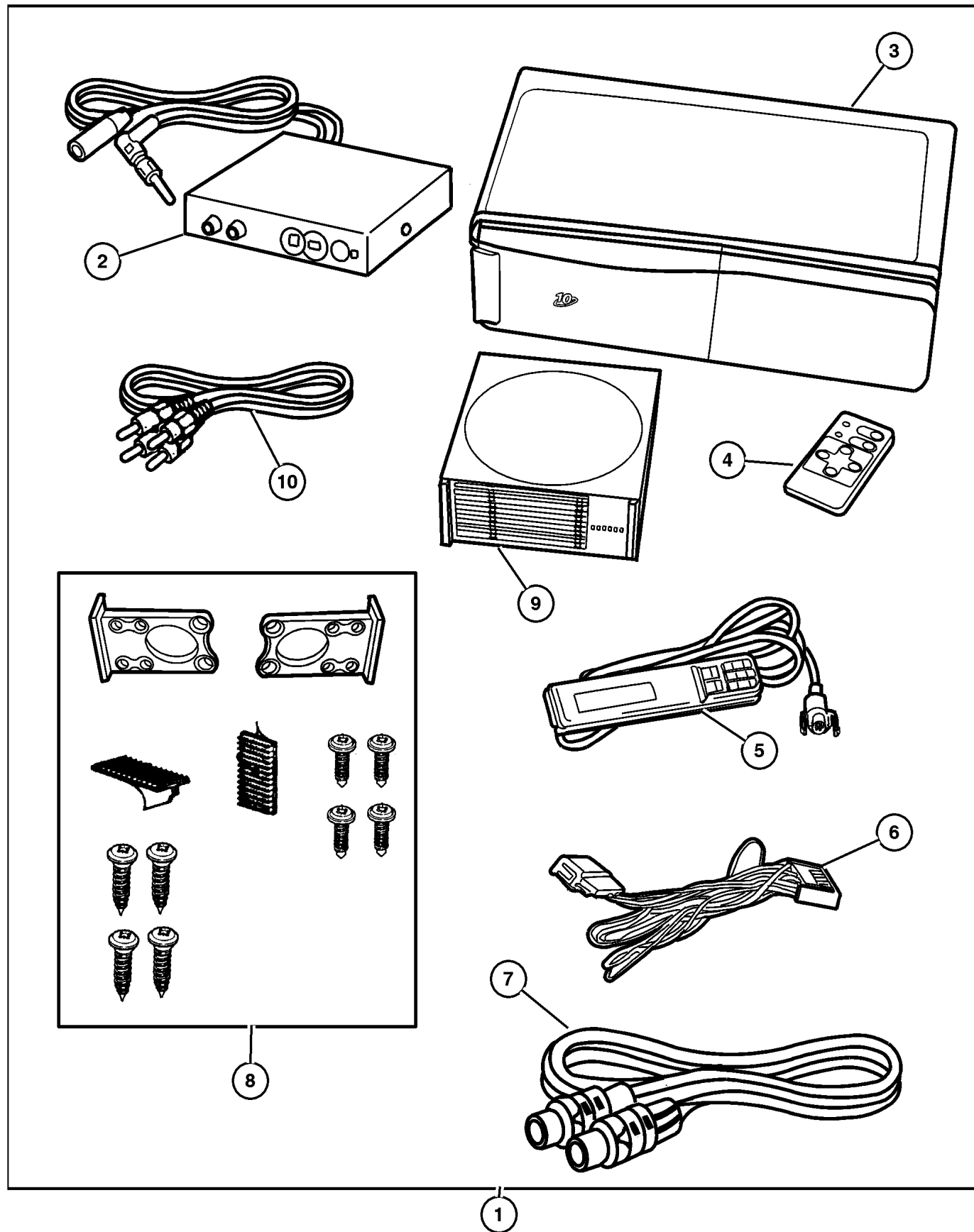
<p>001-1000 4 - Wheeling & Off Road</p> 			
--	--	--	--

<p>001-100 Audio & Electronics</p> 	<p>001-200 Carriers & Cargo Hauling</p> 	<p>001-300 Driving Convenience</p> 	<p>001-400 Exterior Appearance</p> 
<p>001-500 Exterior Protection</p> 	<p>001-600 Fog Lights & Electrical</p> 	<p>001-800 Interior Storage</p> 	<p>001-900 Security</p> 

GROUP 1 - Component Parts for Mopar Accessories

Illustration Title	Group-Fig. No.
Audio & Electronics	
Player Kit - FM Modulated	Fig. 001-110
Player Kit	Fig. 001-115
Navigation Kit Vehicle	Fig. 001-140
Carriers & Cargo Hauling	
Carrier Kit - Basket Type	Fig. 001-210
Carrier Kit - Multipurpose	Fig. 001-215
Carrier Kit - Canoe	Fig. 001-220
Carrier Kit - Water Sports	Fig. 001-222
Bike Carrier - Roof Mount Fork Mount Style	Fig. 001-230
Bike Carrier - Roof Mount Upright Style	Fig. 001-235
Bike Carrier - Fold Down Mount 2 Bike	Fig. 001-240
Bike Carrier - Hitch Mount 4 Bike	Fig. 001-245
Carrier Kit - Ski (4 Pair)	Fig. 001-250
Wiring Package (Trailer Tow)	Fig. 001-255
Box Kit - Storage (Interior)	Fig. 001-260
Cooler Package - Power Steering	Fig. 001-265
Luggage Carrier - Roof Mount	Fig. 001-274
Driving Convenience	
Mounting Kit - Cellular Phone	Fig. 001-310
Filter Kit - Cabin Air	Fig. 001-315
Exterior Appearance	
Brush Guards	Fig. 001-410
Grille Guards	Fig. 001-412
Running Boards	Fig. 001-430
Side Step Kit	Fig. 001-432
Exterior Protection	
Shield Kit, Air Front	Fig. 001-510
Plate Package - Skid	Fig. 001-515
Fog Lights & Electrical	
Heater Kit	Fig. 001-610
Light Pkg - Fog	Fig. 001-615
Interior Storage	
Console Package - Rear	Fig. 001-810
Security	
Module - Security Alarm	Fig. 001-910
4 - Wheeling & Off Road	
Guard, Rock Rails	Fig. 001-1010

Player Kit - FM Modulated
Figure 001-110



ITEM	PART NUMBER	QTY	LINE	BODY	DESCRIPTION
NOTE: CD Changer sold only in Player Kit # 82204094					
1	8220 4094	1	J, T	74	PLAYER KIT, CD Changer - 10 Disc, Consists of: RF Modulator, Power Cord w/Suppression, NIN Cord, RCA Cords, Hand Held Remote, Brackets with Mounting Hardware and Operating Manual, 10 Disc Magazine, FM Modulated
2	4883 248	1	J, T	74	MODULATOR, FM Changer
3					CHANGER, CD, (NOT SERVICED)
4	4883 250	1	J, T	74	CONTROLLER, CD Wireless
5	4883 249	1	J, T	74	CONTROLLER, CD Wired
6	4465 117AB	1	J, T	74	ADAPTOR, A/C
7	4883 251	1	J, T	74	CABLE, Din, 5-Meter Length
8	4883 253	1	J, T	74	HARDWARE KIT, Mounting, Consists of: 2-Multi-Position Mounting Brackets, 4-Machine Screws, 4-Self-Tapping Screws, 1-Adhesive Backed Velcro Pad (Hook Side), 1-Adhesive Backed Velcro Pad (Loop Side), 1-Double -Sided Foam Tape
9	4882 371AB	1	J, T	74	MAGAZINE, CD Changer, 10 Disc
10	4883 252	1	J, T	74	CABLE, CD Changer, RCA 5-Meter Length

JEEP GRAND CHEROKEE (WJ)

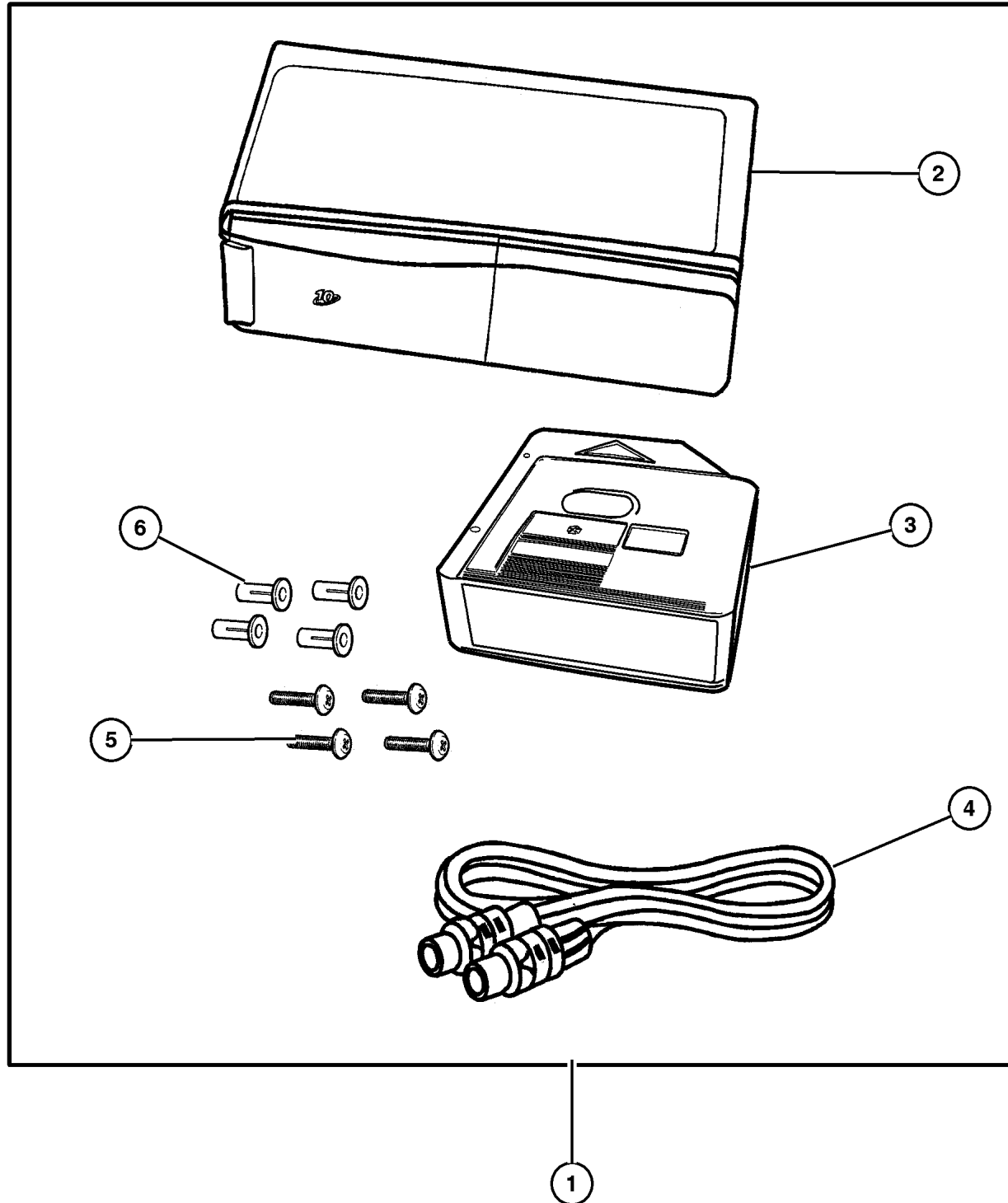
SERIES	LINE	BODY	ENGINE	TRANSMISSION
H=Laredo	J = 4WD	74 = 4 Door(105.9 WB)	ER0, ERH = 4.0L, Power Tech I-6	DGK = 4 Speed Autm, 42RE
P=Limited	T = 2WD		EVO, EVA = 4.7L, Power Tech V8	DGW = 4 Speed Automatic, -44RE
	U = 4WD (RHD)		EXA, EX0 = 3.1L, 5 Cyl Turbo Diesel	DG4 = Multi Speed Automatic, -45RFE
				DGO = All Automatic

AR = Use as required - = Non illustrated part # = New this model year

April 3, 2002

Player Kit
Figure 001-115

ITEM	PART NUMBER	QTY	LINE	BODY	DESCRIPTION
1	8220 4627	1	J, T	74	PLAYER KIT, CD Changer - 10 Disc, Consists of: Items 2 thru 6
2	56042 129AC	1	J, T	74	CHANGER, CD
3	4858 564	1	J, T	74	MAGAZINE, CD Changer, 10 Disc
4	5013 661AA	1	J, T	74	CABLE, Din
5	6100 047	4			NUT AND WASHER, Hex Nut-Coned Washer, M6 x 1.00
6	6505 002AA	4			STUD



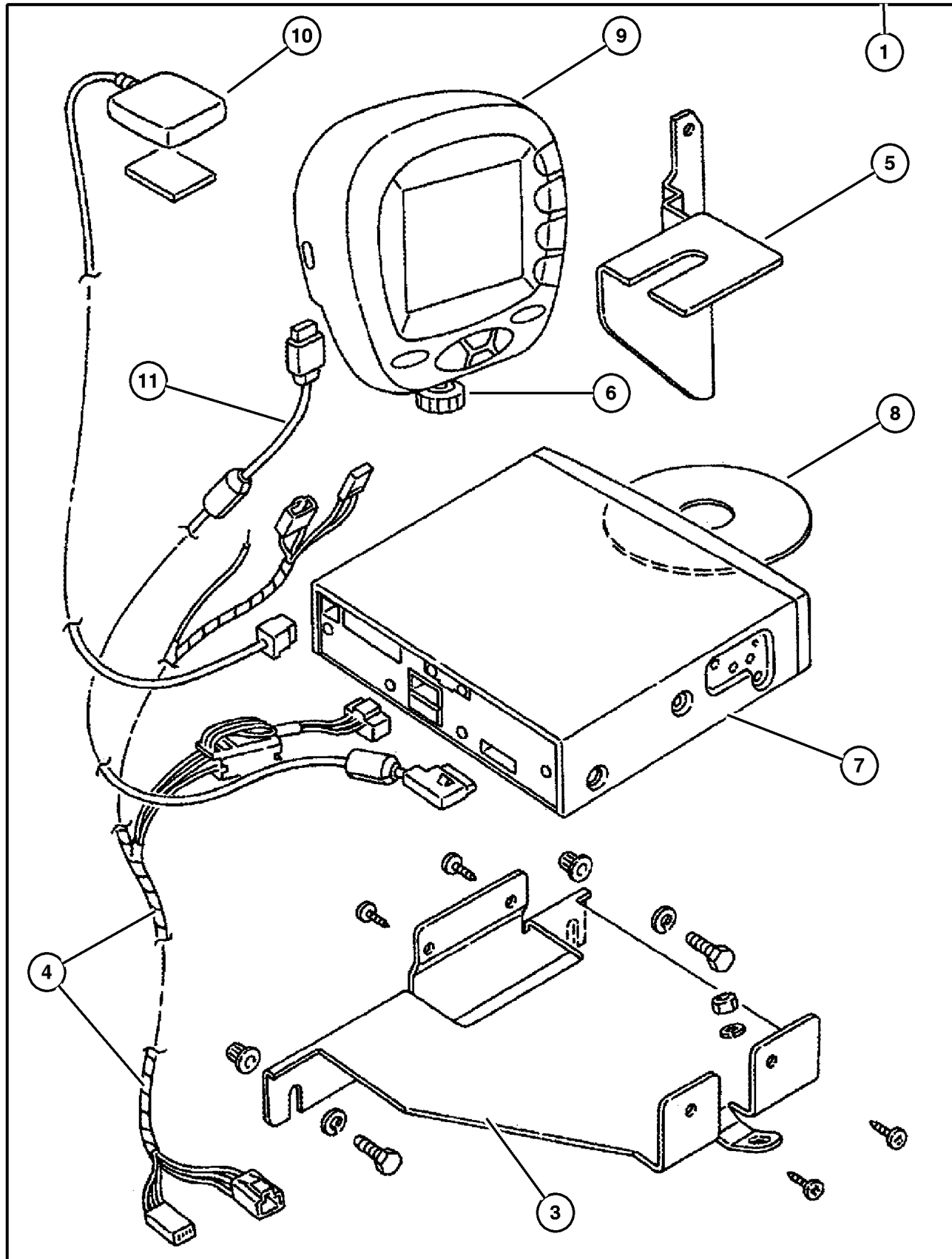
JEEP GRAND CHEROKEE (WJ)

SERIES	LINE	BODY	ENGINE	TRANSMISSION
H=Laredo	J = 4WD	74 = 4 Door(105.9 WB)	ER0, ERH = 4.0L, Power Tech I-6	DGK = 4 Speed Autm, 42RE
P=Limited	T = 2WD		EVO, EVA = 4.7L, Power Tech V8	DGW = 4 Speed Automatic, -44RE
	U = 4WD (RHD)		EXA, EX0 = 3.1L, 5 Cyl Turbo Diesel	DG4 = Multi Speed Automatic, -45RFE
				DGO = All Automatic

AR = Use as required - = Non illustrated part # = New this model year

April 3, 2002

**Navigation Kit Vehicle
Figure 001-140**



ITEM	PART NUMBER	QTY	LINE	BODY	DESCRIPTION
1					NAVIGATION KIT, Vehicle
	8220 5773	1	J, T	74	Western U.S.
	8220 5774	1	J, T	74	Central U.S.
	8220 5775	1	J, T	74	Eastern U.S.
-2	8220 3459	1	J, T	74	INSTALL KIT, Vehicle Navigation System, Also in Navigation Kit - Consists of: Bracket Display, Bracket Navigation Controller, Wiring, plus Mounting Hardware, Thumb Screw and Instructions
3	5017 423AA	1	J, T	74	BRACKET, Navigation Controller, (Also Serviced in Install Kit)
4	5017 421AA	1	J, T	74	WIRING, Navigation System, (Also Serviced in Install Kit)
5	5017 422AA	1	J, T	74	BRACKET, Navigation Display, (Also Serviced in Install Kit)
6	5017 434AA	1	J, T	74	SCREW, Thumb, (Also Serviced in Install Kit)
7	5017 419AA	1	J, T	74	CONTROLLER, Vehicle Navigation
8					COMPACT DISC, Navigation
	5017 415AA	1	J, T	74	Western U.S.
	5017 416AA	1	J, T	74	Central U.S.
	5017 417AA	1	J, T	74	Eastern U.S.
9	5017 418AA	1	J, T	74	MODULE, Navigation Display
10	5017 420AA	1	J, T	74	ANTENNA, Global Positioning
11	5017 433AA	1	J, T	74	WIRING, Navigation Display

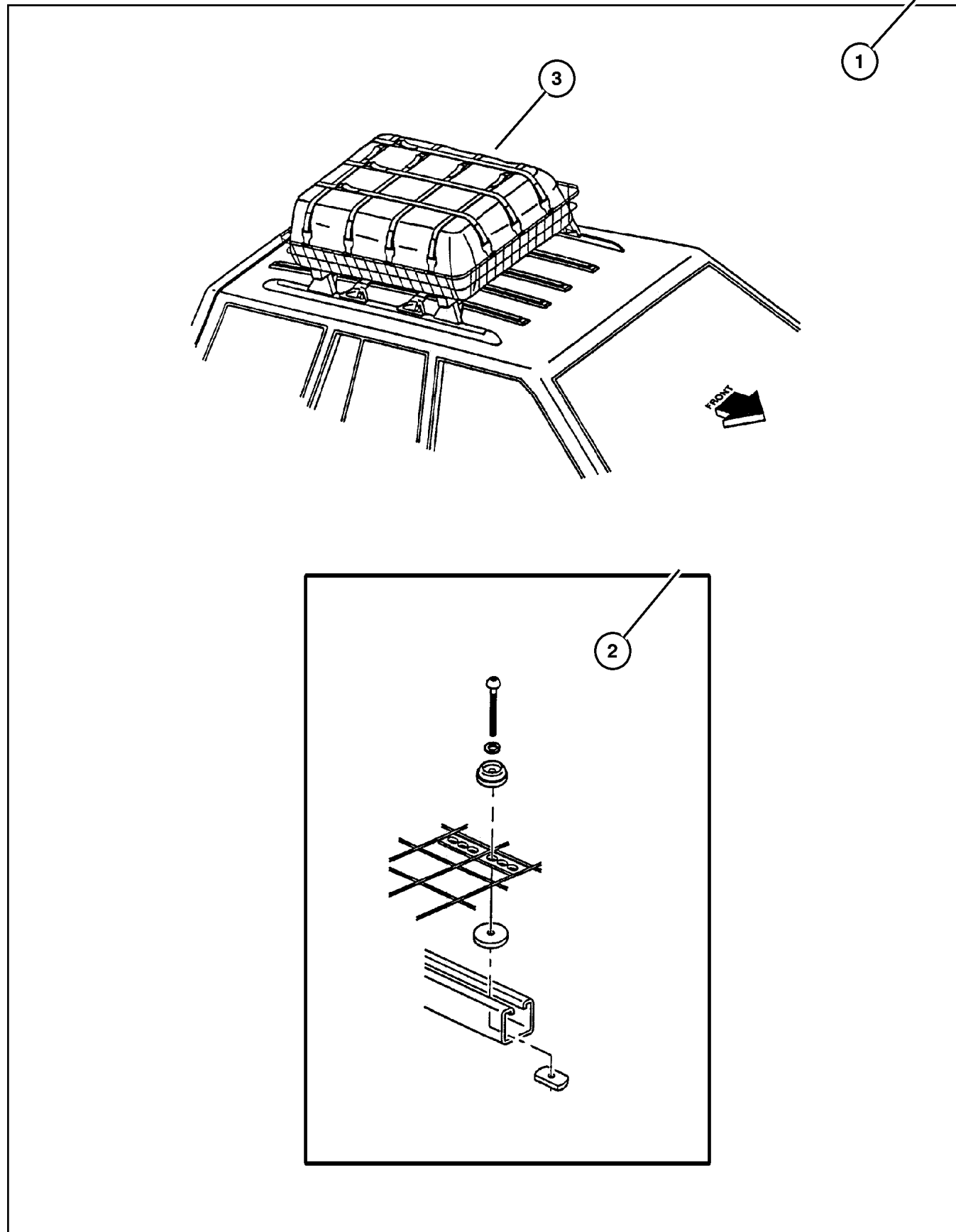
JEEP GRAND CHEROKEE (WJ)

SERIES	LINE	BODY	ENGINE	TRANSMISSION
H=Laredo	J = 4WD	74 = 4 Door(105.9 WB)	ER0, ERH = 4.0L, Power Tech I-6	DGK = 4 Speed Autm, 42RE
P=Limited	T = 2WD		EVO, EVA = 4.7L, Power Tech V8	DGW = 4 Speed Automatic, -44RE
	U = 4WD (RHD)		EXA, EX0 = 3.1L, 5 Cyl Turbo Diesel	DG4 = Multi Speed Automatic, -45RFE
				DGO = All Automatic

AR = Use as required - = Non illustrated part # = New this model year

April 3, 2002

**Carrier Kit - Basket Type
Figure 001-210**



ITEM	PART NUMBER	QTY	LINE	BODY	DESCRIPTION
NOTE: Use only with Sport Utility Bar					
NOTE: Hardware Kit also contained in Carrier Kit.					
1	8220 4697	1	J, T	74	CARRIER KIT, Basket
2	5016 389AA	1	J, T	74	HARDWARE KIT, Accessory
3	8220 4857	1	J, T	74	NET KIT, Cargo

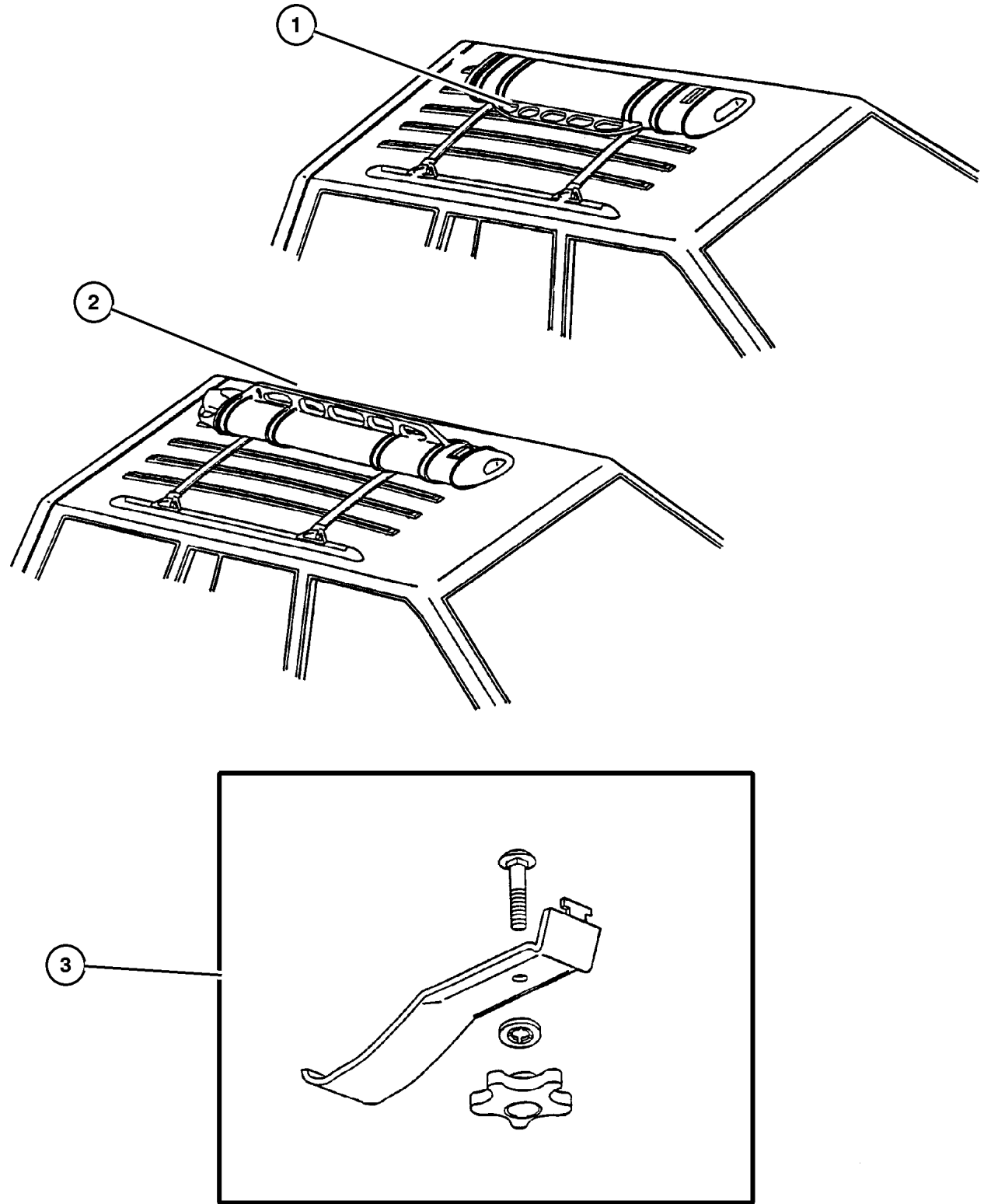
JEEP GRAND CHEROKEE (WJ)				
SERIES	LINE	BODY	ENGINE	TRANSMISSION
H=Laredo	J = 4WD	74 = 4 Door(105.9 WB)	ER0, ERH = 4.0L, Power Tech I-6	DGK = 4 Speed Autm, 42RE
P=Limited	T = 2WD		EVO, EVA = 4.7L, Power Tech V8	DGW = 4 Speed Automatic, -44RE
	U = 4WD (RHD)		EXA, EX0 = 3.1L, 5 Cyl Turbo Diesel	DG4 = Multi Speed Automatic, -45RFE
				DGO = All Automatic

AR = Use as required - = Non illustrated part # = New this model year

April 3, 2002

Carrier Kit - Multipurpose
Figure 001-215

ITEM	PART NUMBER	QTY	LINE	BODY	DESCRIPTION
NOTE: Use only with Sport Utility Bar					
NOTE: Carrier Kits - Multipurpose: Skis or Fishing Pole Snow Board or Surfboard					
NOTE: Hardware Kit also contained in Carrier Kit					
1	8220 4699	1	J, T	74	CARRIER KIT, Wind/Surf Boards, For Snowboard or Surfboard
2	8220 4698	1	J, T	74	CARRIER KIT, Ski, For Skis, Fishing Poles
3	5016 509AA	1	J, T	74	HARDWARE KIT, Accessory, Consists of: 1-Carriage Bolt, 1-Retaining Knob, 1-Retaining Washer, 1-Attachment Bracket
-4	5016 617AA	1	J, T	74	LOCK KIT, Carrier, Consists of: 2-Locks keyed the same



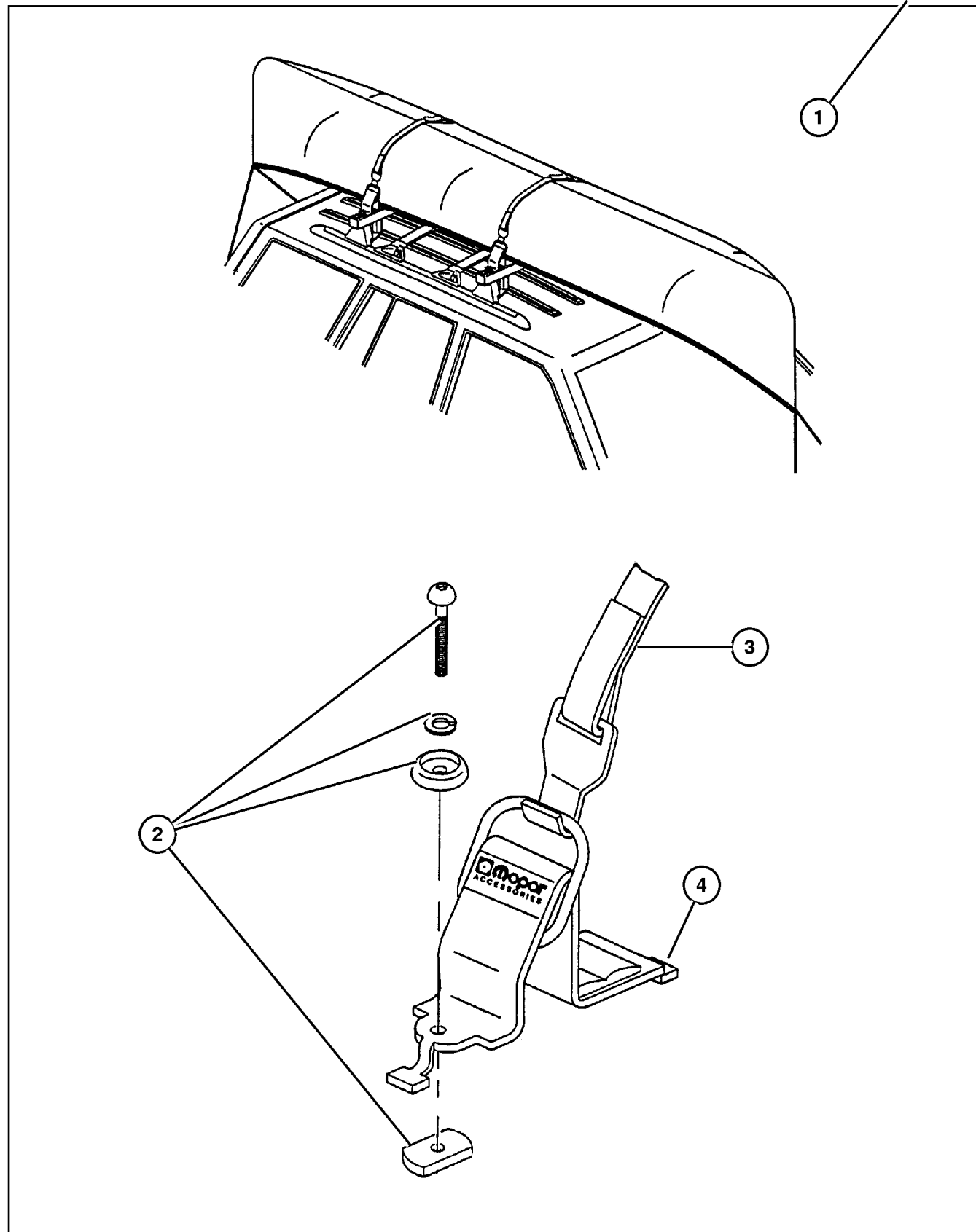
JEEP GRAND CHEROKEE (WJ)

SERIES	LINE	BODY	ENGINE	TRANSMISSION
H=Laredo P=Limited	J = 4WD T = 2WD U = 4WD (RHD)	74 = 4 Door(105.9 WB)	ER0, ERH = 4.0L, Power Tech I-6 EV0, EVA = 4.7L, Power Tech V8 EXA, EX0 = 3.1L, 5 Cyl Turbo Diesel	DGK = 4 Speed Autm, 42RE DGW = 4 Speed Automatic, -44RE DG4 = Multi Speed Automatic, -45RFE DGO = All Automatic

AR = Use as required - = Non illustrated part # = New this model year

April 3, 2002

Carrier Kit - Canoe
Figure 001-220



ITEM	PART NUMBER	QTY	LINE	BODY	DESCRIPTION
NOTE: Use only with Sport Utility Bar					
NOTE: Hardware Kit also contained in Carrier Kit					
1	8220 4700	1	J, T	74	CARRIER KIT, Water Sports
2	5016 389AA	1	J, T	74	HARDWARE KIT, Accessory, Consists of: 4-25MM Button Head Screws, 4-30MM Button Head Screws, 4-Lock Washers, 4-Dome Washers, 4-Rubber Washers, 4-T-Nuts
3	5016 511AA	1	J, T	74	STRAP, Cargo Tie Down
4	5016 510AA	1	J, T	74	BRACKET, Cargo Tie Down

JEEP GRAND CHEROKEE (WJ)

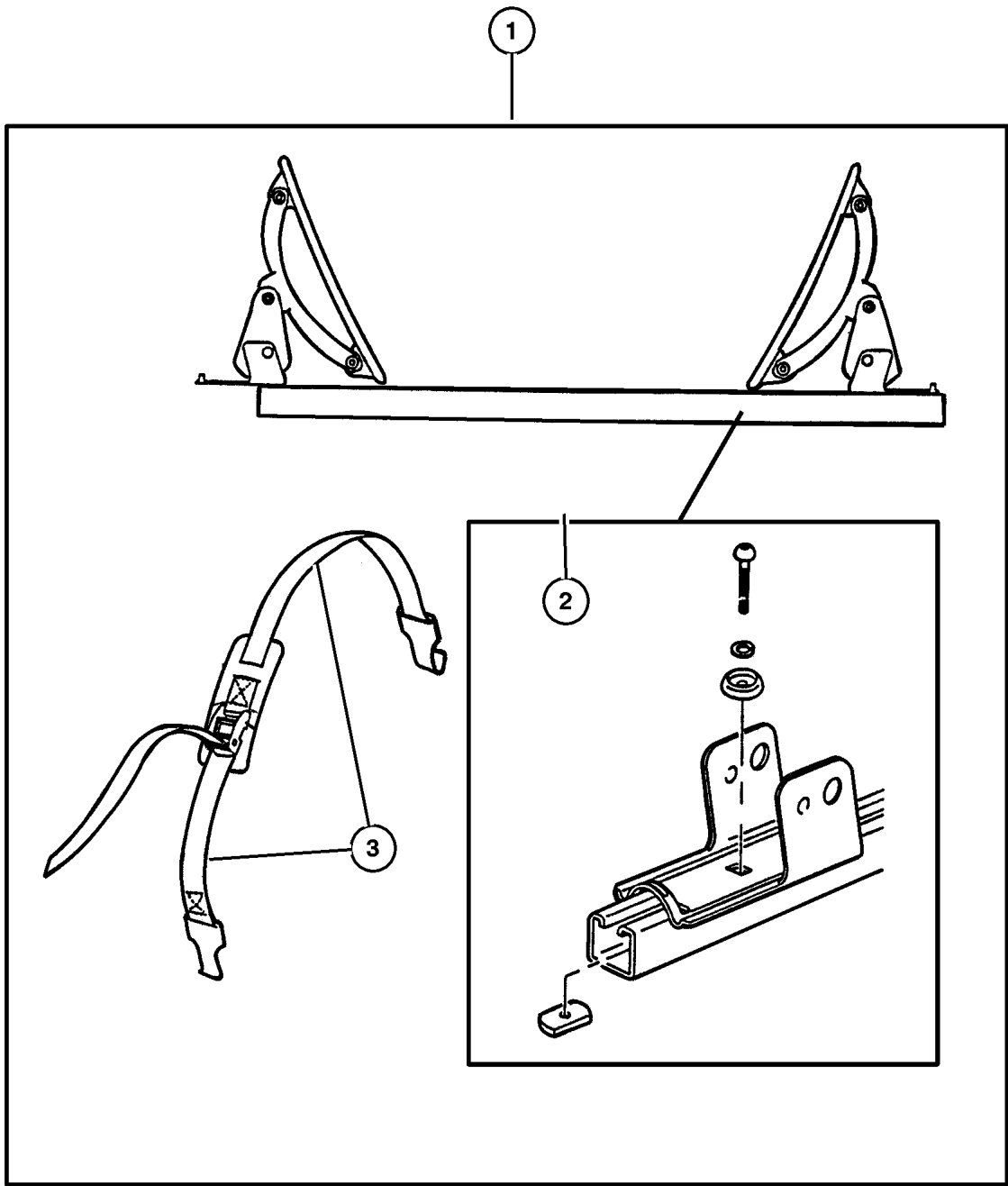
SERIES	LINE	BODY	ENGINE	TRANSMISSION
H=Laredo	J = 4WD	74 = 4 Door(105.9 WB)	ER0, ERH = 4.0L, Power Tech I-6	DGK = 4 Speed Autm, 42RE
P=Limited	T = 2WD		EVO, EVA = 4.7L, Power Tech V8	DGW = 4 Speed Automatic, -44RE
	U = 4WD (RHD)		EXA, EX0 = 3.1L, 5 Cyl Turbo Diesel	DG4 = Multi Speed Automatic, -45RFE
				DGO = All Automatic

AR = Use as required - = Non illustrated part # = New this model year

April 3, 2002

Carrier Kit - Water Sports Figure 001-222

ITEM	PART NUMBER	QTY	LINE	BODY	DESCRIPTION
1	8220 4701	1	J, T	74	CARRIER KIT, Water Sports
2	5016 389AA	1	J, T	74	HARDWARE KIT, Accessory, Consists of: 4- 25MM Button Head Screws, 4-30MM Button Head Screws, 4-Lock Washers, 4-Dome Washers, 4-Rubber Washers and 4- T-Nuts.
3	5016 511AA	1	J, T	74	STRAP, Cargo Tie Down



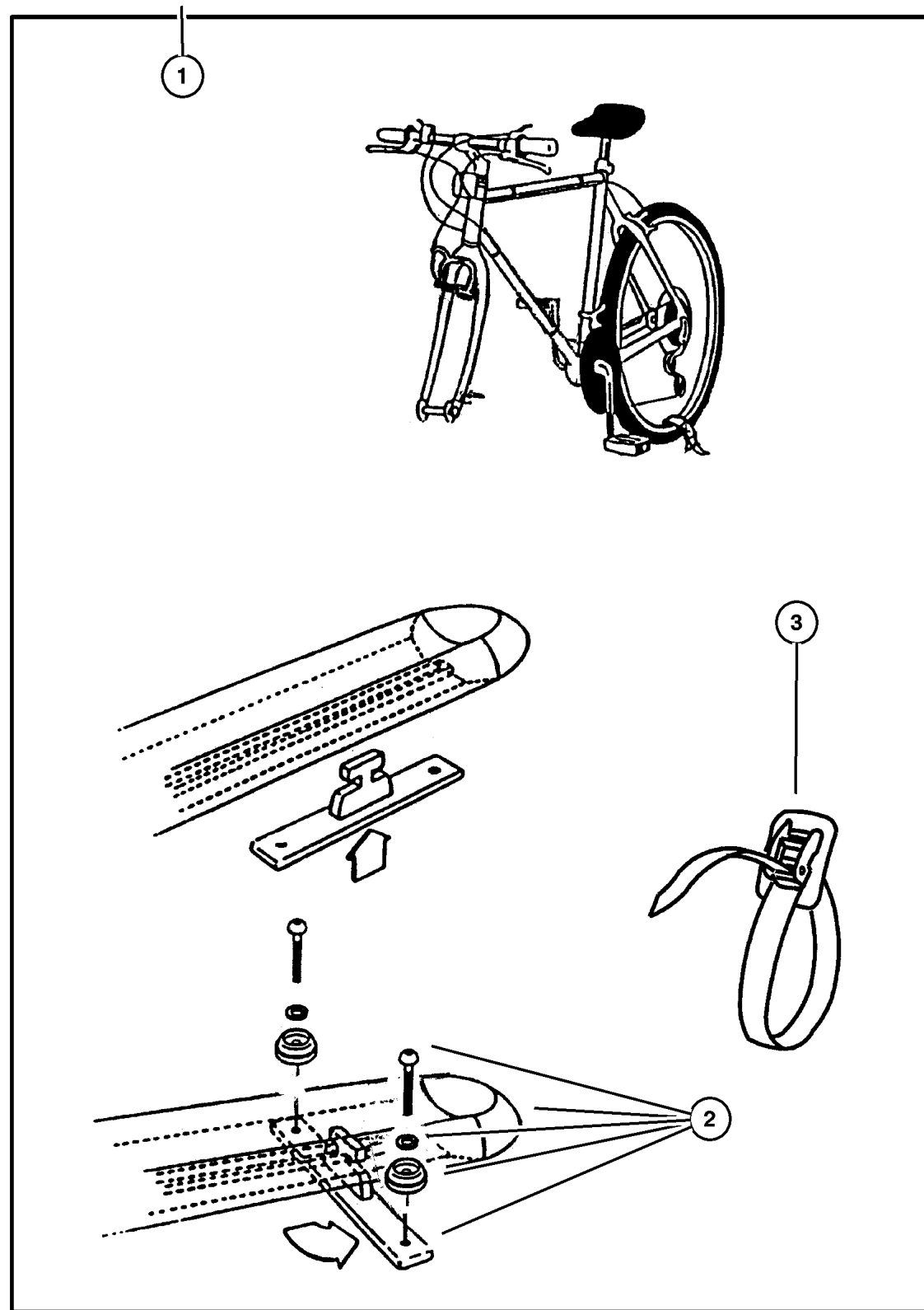
JEEP GRAND CHEROKEE (WJ)

SERIES	LINE	BODY	ENGINE	TRANSMISSION
H=Laredo P=Limited	J = 4WD T = 2WD U = 4WD (RHD)	74 = 4 Door(105.9 WB)	ER0, ERH = 4.0L, Power Tech I-6 EV0, EVA = 4.7L, Power Tech V8 EXA, EX0 = 3.1L, 5 Cyl Turbo Diesel	DGK = 4 Speed Autm, 42RE DGW = 4 Speed Automatic, -44RE DG4 = Multi Speed Automatic, -45RFE DGO = All Automatic

AR = Use as required - = Non illustrated part # = New this model year

April 3, 2002

**Bike Carrier - Roof Mount Fork Mount Style
Figure 001-230**



ITEM	PART NUMBER	QTY	LINE	BODY	DESCRIPTION
------	-------------	-----	------	------	-------------

NOTE: Hardware Kit also contained in Carrier Kit.

1	8230 0585	1	J, T	74	CARRIER KIT, Bike, Fork - Mount
2	5016 512AA	1	J, T	74	HARDWARE KIT, Accessory, Contains: 2 T-Slot Bars, 4 Round Dome Washers, 4 M6x1.00x16MM Machine Screws, 2 M6 Lockwashers
3	5016 513AA	1	J, T	74	STRAP, Cargo Tie Down, Contains: 2 Straps

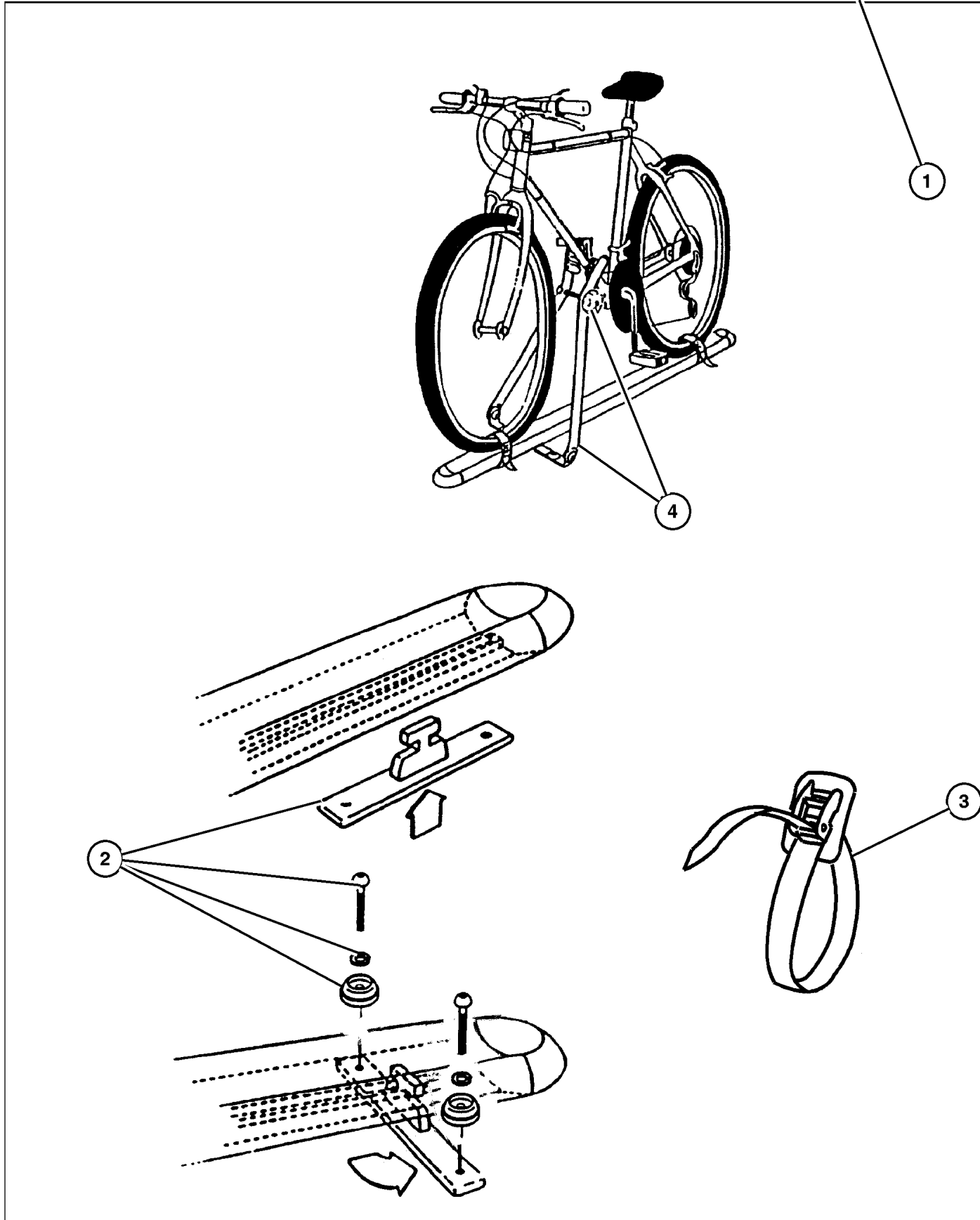
JEEP GRAND CHEROKEE (WJ)

SERIES	LINE	BODY	ENGINE	TRANSMISSION
H=Laredo	J = 4WD	74 = 4 Door(105.9 WB)	ER0, ERH = 4.0L, Power Tech I-6	DGK = 4 Speed Autm, 42RE
P=Limited	T = 2WD		EVO, EVA = 4.7L, Power Tech V8	DGW = 4 Speed Automatic, -44RE
	U = 4WD (RHD)		EXA, EX0 = 3.1L, 5 Cyl Turbo Diesel	DG4 = Multi Speed Automatic, -45RFE
				DGO = All Automatic

AR = Use as required - = Non illustrated part # = New this model year

April 3, 2002

Bike Carrier - Roof Mount Upright Style
Figure 001-235



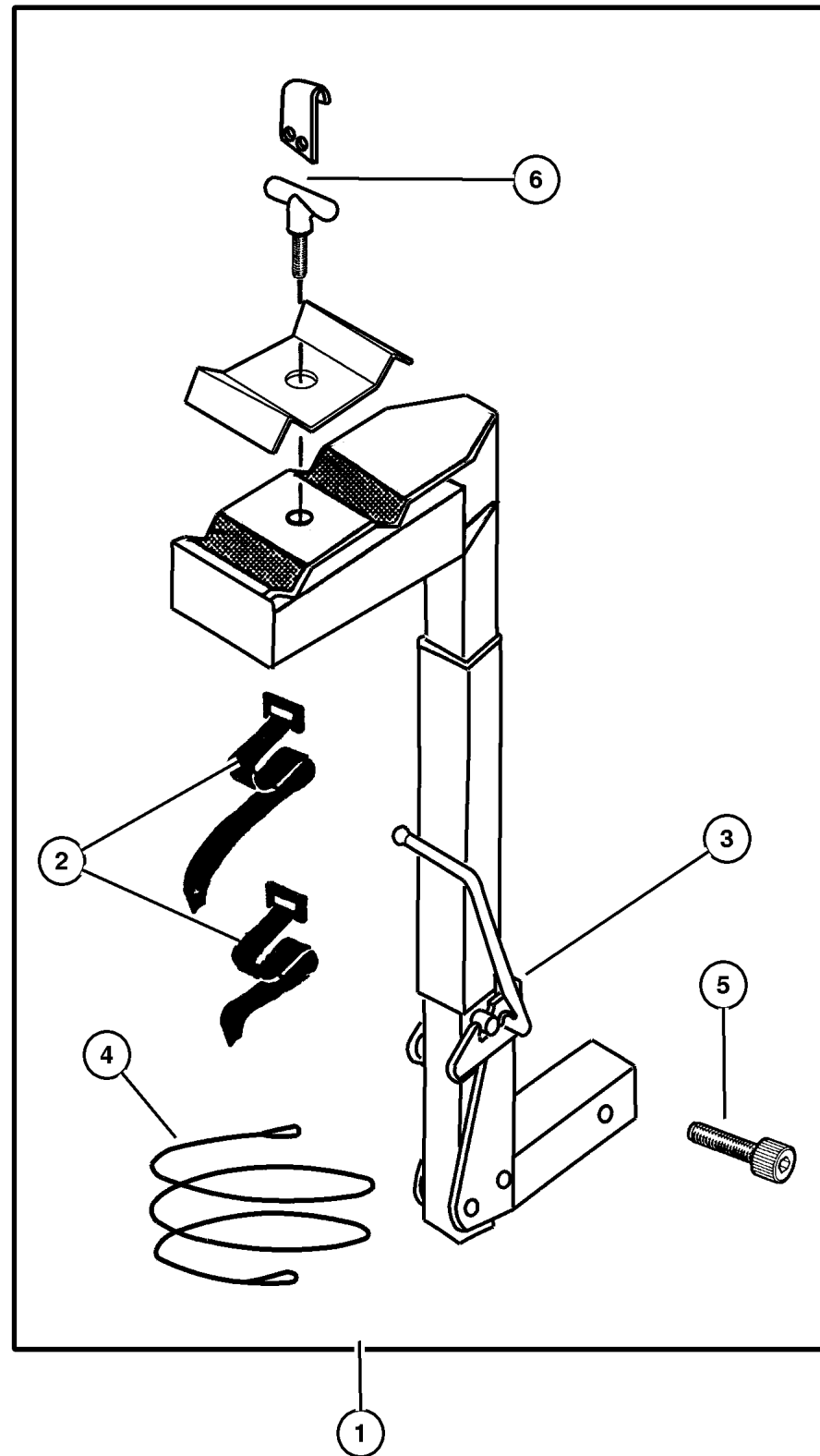
ITEM	PART NUMBER	QTY	LINE	BODY	DESCRIPTION
NOTE: Hardware Kit also contained in Carrier Kit.					
1	8220 3471	1	J, T	74	CARRIER KIT, Bike
2	5016 512AA	1	J, T	74	HARDWARE KIT, Accessory, Consists of: 2-T-Slot Bars, 4-Round Dome Washers, 4-M6x1.00x16MM Machine Screws, 2-M6 Lockwashers
3	5016 513AA	1	J, T	74	STRAP, Cargo Tie Down, Consists of: 2- Adjustable Straps, this carrier only requires one.
4	5018 194AA	1	J, T	74	HARDWARE KIT, Bike Carrier

JEEP GRAND CHEROKEE (WJ)				
SERIES	LINE	BODY	ENGINE	TRANSMISSION
H=Laredo	J = 4WD	74 = 4 Door(105.9 WB)	ER0, ERH = 4.0L, Power Tech I-6	DGK = 4 Speed Autm, 42RE
P=Limited	T = 2WD		EVO, EVA = 4.7L, Power Tech V8	DGW = 4 Speed Automatic, -44RE
	U = 4WD (RHD)		EXA, EX0 = 3.1L, 5 Cyl Turbo Diesel	DG4 = Multi Speed Automatic, -45RFE
				DGO = All Automatic

AR = Use as required - = Non illustrated part # = New this model year

April 3, 2002

**Bike Carrier - Fold Down Mount 2 Bike
Figure 001-240**



ITEM	PART NUMBER	QTY	LINE	BODY	DESCRIPTION
NOTE: Folds down for access to rear hatch, has anti theft bolts.					
1	8220 4453	1	J, T	74	CARRIER KIT, Bike, 2-Bike
2	4762 880	1			STRAP KIT, Velcro, Consists of 1-Long and 1-Short Strap
3	4762 881	1			STRAP KIT, Bike Carrier Latch, Consists of 1-Rubber Strap
4	4762 882	1			LOCK KIT, Bike Carrier Handle
5	5016 776AA	1	J, T	74	BOLT KIT, Security
6	5016 610AA	1	J, T	74	HARDWARE KIT, Accessory, T-Handle

JEEP GRAND CHEROKEE (WJ)

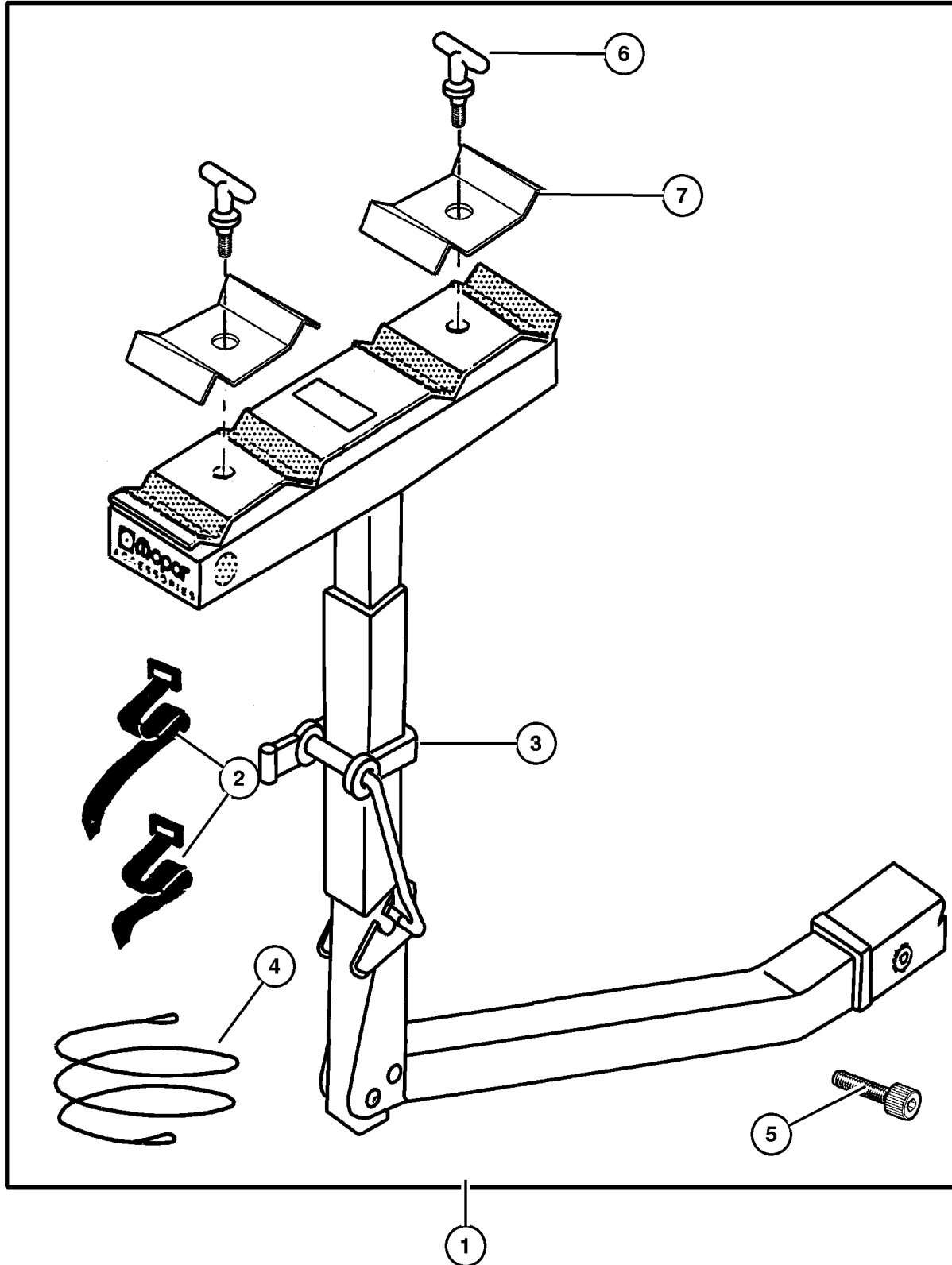
SERIES	LINE	BODY	ENGINE	TRANSMISSION
H=Laredo	J = 4WD	74 = 4 Door(105.9 WB)	ER0, ERH = 4.0L, Power Tech I-6	DGK = 4 Speed Autm, 42RE
P=Limited	T = 2WD		EVO, EVA = 4.7L, Power Tech V8	DGW = 4 Speed Automatic, -44RE
	U = 4WD (RHD)		EXA, EX0 = 3.1L, 5 Cyl Turbo Diesel	DG4 = Multi Speed Automatic, -45RFE
				DGO = All Automatic

AR = Use as required - = Non illustrated part # = New this model year

April 3, 2002

Bike Carrier - Hitch Mount 4 Bike
Figure 001-245

ITEM	PART NUMBER	QTY	LINE	BODY	DESCRIPTION
1	8220 4328	1	J, T	74	CARRIER KIT, Bike, Consists of: Items 2 thru 7
2	4762 880	1	J, T	74	STRAP KIT, Velcro, Consists of: 1-Long and 1-Short Strap
3	4762 881	1			STRAP KIT, Bike Carrier Latch, Consists of: 1-Rubber Strap
4	4762 882	1			LOCK KIT, Bike Carrier Handle
5	5016 776AA	1	J, T	74	BOLT KIT, Security, Bolt & Wrench
6	5016 610AA	1	J, T	74	HARDWARE KIT, Accessory, T-Handle
7	5016 657AA	1	J, T	74	HARDWARE KIT, Accessory, 2 Clamps Required



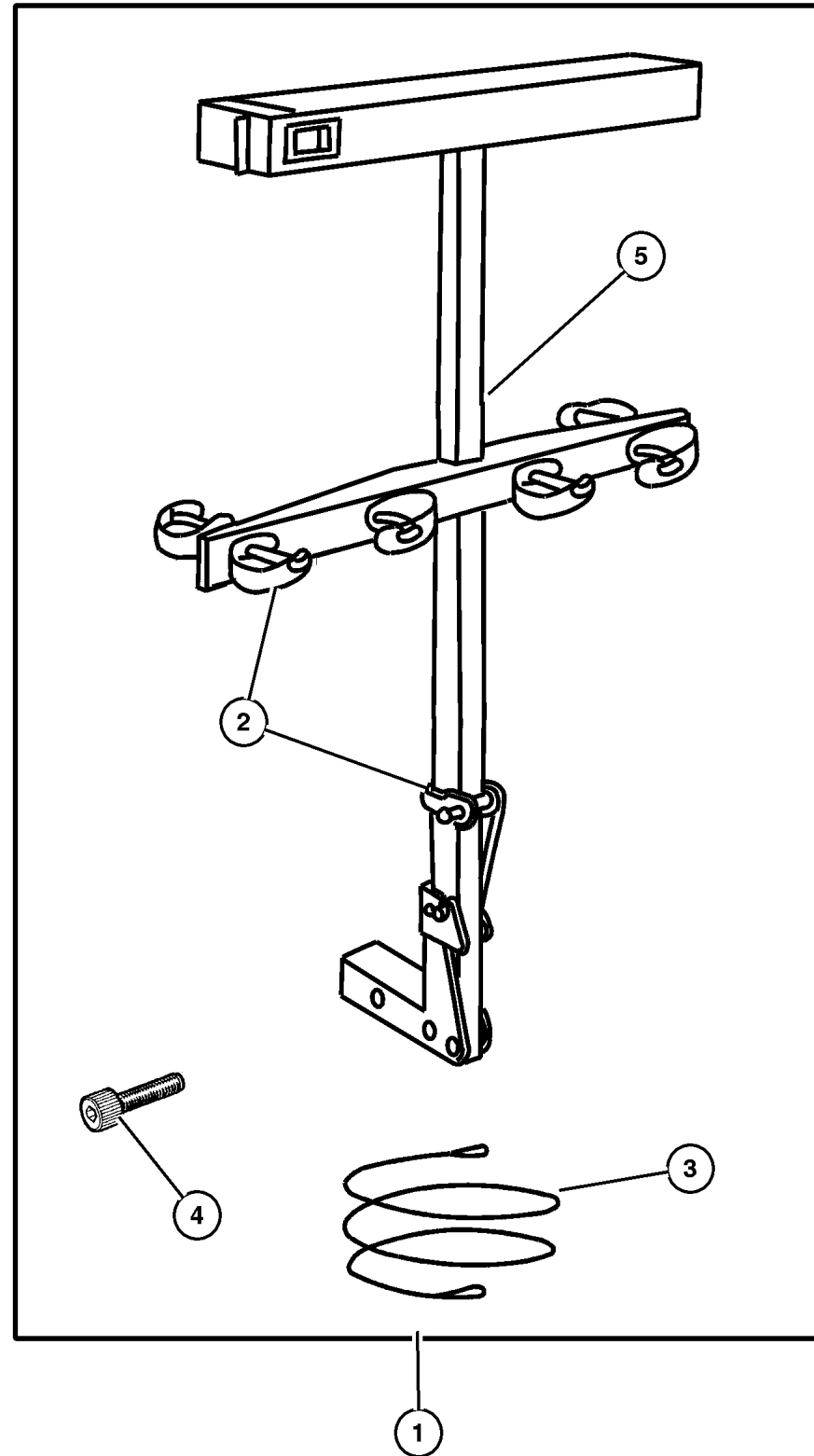
JEEP GRAND CHEROKEE (WJ)

SERIES	LINE	BODY	ENGINE	TRANSMISSION
H=Laredo	J = 4WD	74 = 4 Door(105.9 WB)	ER0, ERH = 4.0L, Power Tech I-6	DGK = 4 Speed Autm, 42RE
P=Limited	T = 2WD		EVO, EVA = 4.7L, Power Tech V8	DGW = 4 Speed Automatic, -44RE
	U = 4WD (RHD)		EXA, EX0 = 3.1L, 5 Cyl Turbo Diesel	DG4 = Multi Speed Automatic, -45RFE
				DGO = All Automatic

AR = Use as required - = Non illustrated part # = New this model year

April 3, 2002

Carrier Kit - Ski (4 Pair)
Figure 001-250



ITEM	PART NUMBER	QTY	LINE	BODY	DESCRIPTION
1					CARRIER KIT, Ski - 4 Pair
	8220 4454	1	J, T	74	1.25' Receiver
	8220 4455	1	J, T	74	2' Receiver
2	5016 775AA	1	J, T	74	STRAP KIT, Bike Carrier Latch
3	4762 882	1			LOCK KIT, Bike Carrier Handle
4	5016 776AA	1	J, T	74	BOLT KIT, Security
5	5016 610AA	1	J, T	74	HARDWARE KIT, Accessory

JEEP GRAND CHEROKEE (WJ)

SERIES	LINE	BODY	ENGINE	TRANSMISSION
H=Laredo	J = 4WD	74 = 4 Door(105.9 WB)	ER0, ERH = 4.0L, Power Tech I-6	DGK = 4 Speed Autm, 42RE
P=Limited	T = 2WD		EVO, EVA = 4.7L, Power Tech V8	DGW = 4 Speed Automatic, -44RE
	U = 4WD (RHD)		EXA, EX0 = 3.1L, 5 Cyl Turbo Diesel	DG4 = Multi Speed Automatic, -45RFE
				DGO = All Automatic

AR = Use as required - = Non illustrated part # = New this model year

April 3, 2002

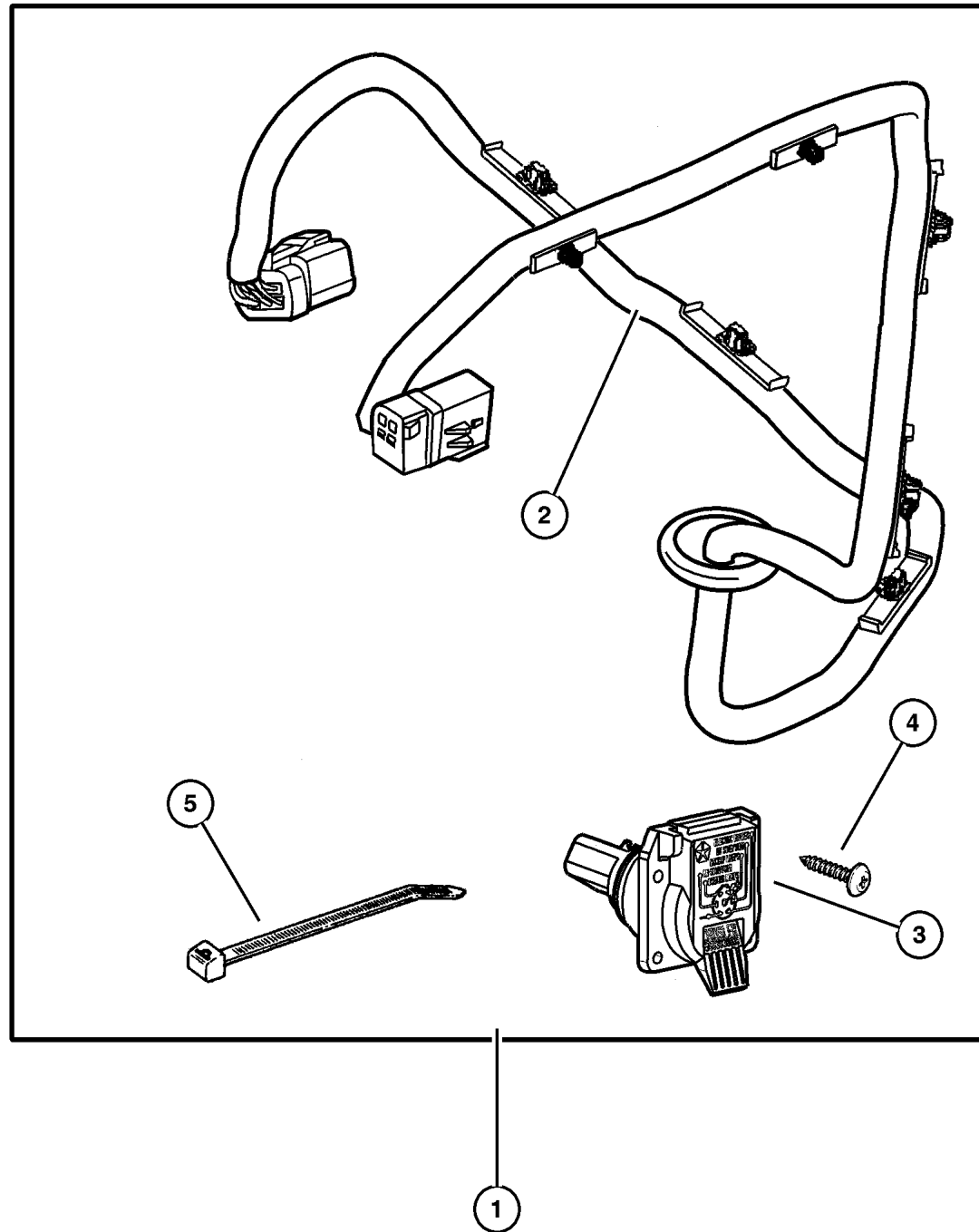
**Wiring Package (Trailer Tow)
Figure 001-255**

ITEM	PART NUMBER	QTY	LINE	BODY	DESCRIPTION
------	-------------	-----	------	------	-------------

NOTE: Trailer Tow Wire Harness Kit: 7-way round trailer connector, plugs into 10-way connector.

NOTE: Trailer Tow Wiring Package 82204725 consists of Items 1 thru 4.

1	8220 4725	1	J, T	74	WIRING PACKAGE, Trailer Tow, Consists of: Items 2 thru 5
2	56042 239AE	1	J, T	74	WIRING, Trailer Tow
3	56038 366AB	1	J, T	74	CONNECTOR, 7 Way
4	0154 633	1	J, T	74	SCREW, .164-18x.625
5	6016 155	1	J, T	74	STRAP, Tie



JEEP GRAND CHEROKEE (WJ)

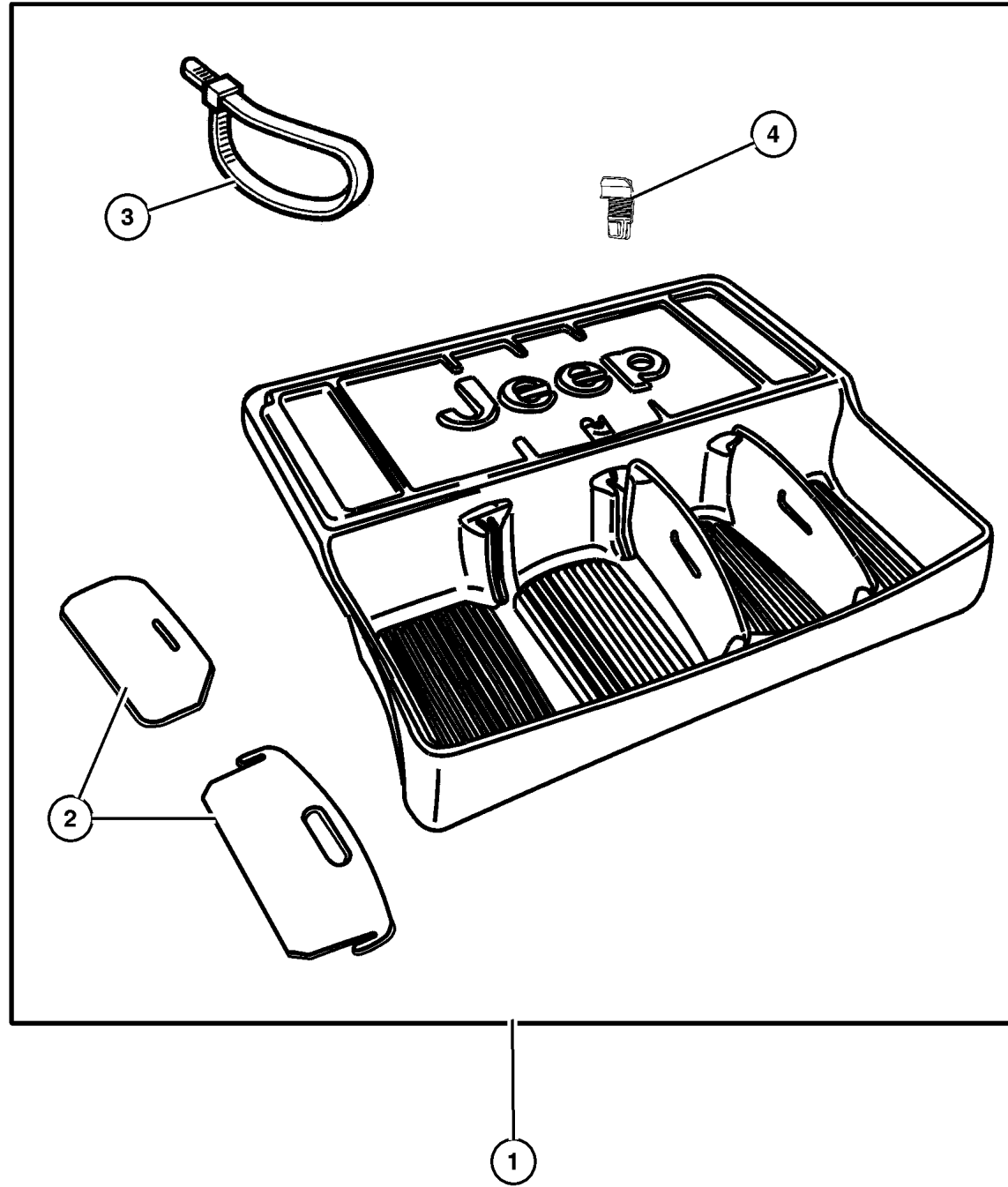
SERIES	LINE	BODY	ENGINE	TRANSMISSION
H=Laredo	J = 4WD	74 = 4 Door(105.9 WB)	ER0, ERH = 4.0L, Power Tech I-6	DGK = 4 Speed Autm, 42RE
P=Limited	T = 2WD		EVO, EVA = 4.7L, Power Tech V8	DGW = 4 Speed Automatic, -44RE
	U = 4WD (RHD)		EXA, EX0 = 3.1L, 5 Cyl Turbo Diesel	DG4 = Multi Speed Automatic, -45RFE
				DGO = All Automatic

AR = Use as required - = Non illustrated part # = New this model year

April 3, 2002

Box Kit - Storage (Interior)
Figure 001-260

ITEM	PART NUMBER	QTY	LINE	BODY	DESCRIPTION
NOTE: Mounts Behind Rear Seat. Box is approximately 45" W/18"D/8"H. The tray is located between the box & liftgate - Molded unit has lockable area.					
1	8220 5010	1	J, T	74	BOX KIT, Storage-Interior, Consists of: Items 2 thru 4
2	5016 544AA	1	J, T	74	DIVIDER KIT, Cargo, Drop-in Dividers: 4 Total: 2-Front, 2-Rear
3	5016 545AA	1	J, T	74	STRAP, Cargo Tie Down, Used to Attach Box to Load Floor
4	5016 546AA	1	J, T	74	LOCK KIT, Storage, Consists of: Keys & Cylinder



JEEP GRAND CHEROKEE (WJ)				
SERIES	LINE	BODY	ENGINE	TRANSMISSION
H=Laredo	J = 4WD	74 = 4 Door(105.9 WB)	ER0, ERH = 4.0L, Power Tech I-6	DGK = 4 Speed Autm, 42RE
P=Limited	T = 2WD		EVO, EVA = 4.7L, Power Tech V8	DGW = 4 Speed Automatic, -44RE
	U = 4WD (RHD)		EXA, EX0 = 3.1L, 5 Cyl Turbo Diesel	DG4 = Multi Speed Automatic, -45RFE
				DGO = All Automatic

AR = Use as required - = Non illustrated part # = New this model year

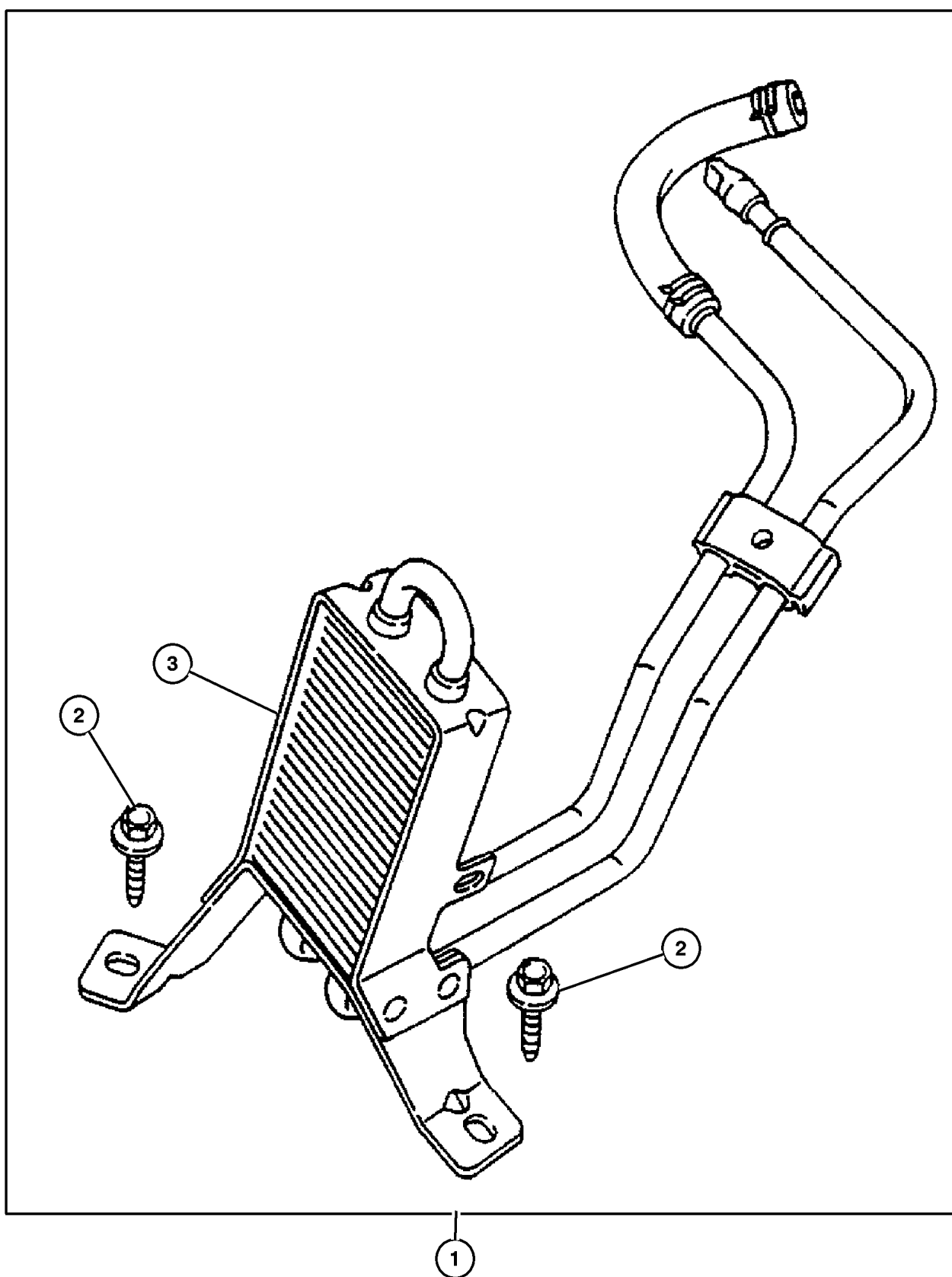
April 3, 2002

**Cooler Package - Power Steering
Figure 001-265**

ITEM	PART NUMBER	QTY	LINE	BODY	DESCRIPTION
------	-------------	-----	------	------	-------------

NOTE: Required for Trailer Towing with 4.7L Engine lockable area.

1	8220 4498	1	J, T	74	COOLER PACKAGE, Power Steering
2	6101 777	1	J, T	74	SCREW, Hex Flange Head Tapping, M6x1.00x20.00
3	52088 618AB	1	J, T	74	COOLER, Power Steering

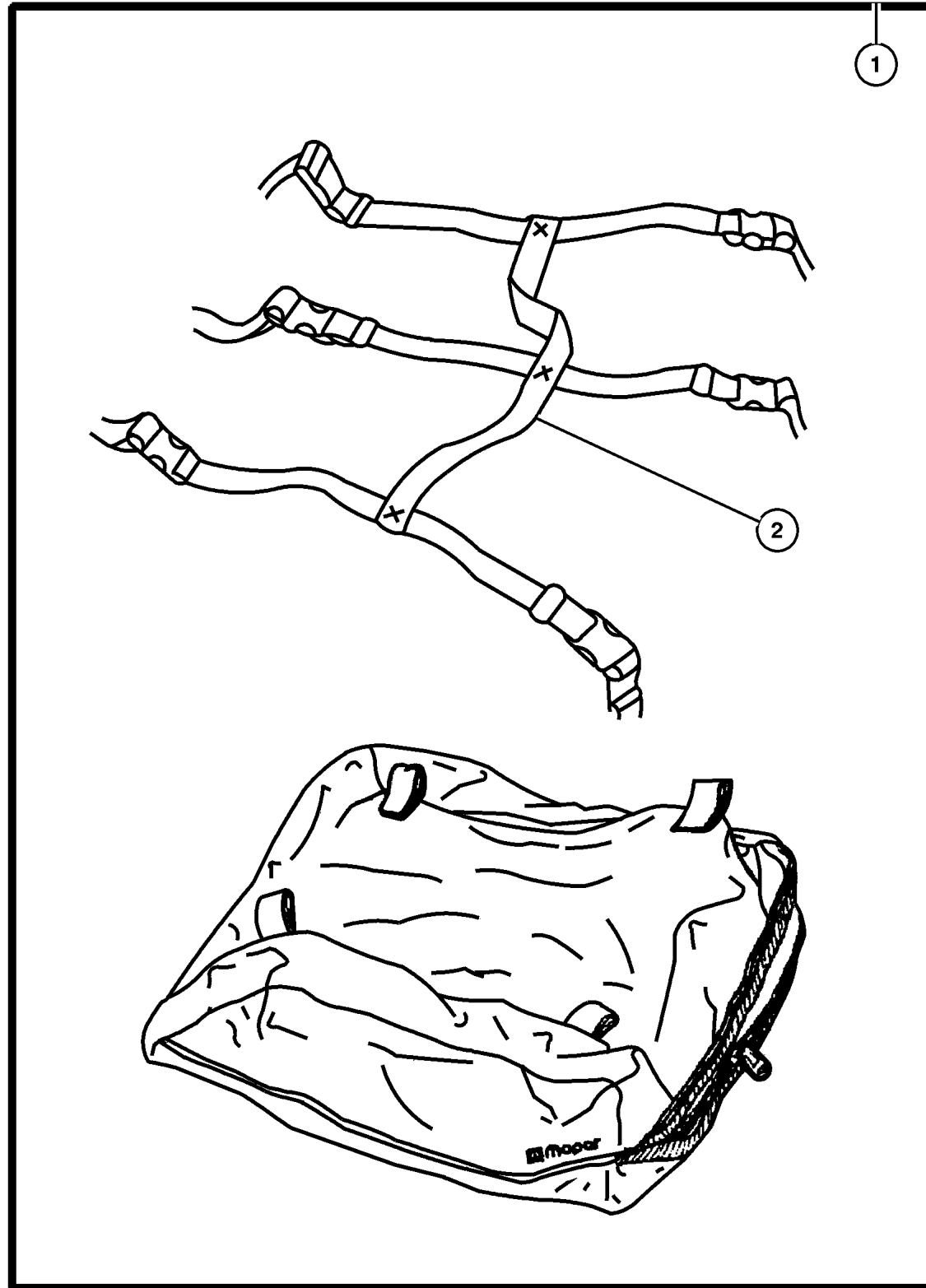


JEEP GRAND CHEROKEE (WJ)				
SERIES	LINE	BODY	ENGINE	TRANSMISSION
H=Laredo	J = 4WD	74 = 4 Door(105.9 WB)	ER0, ERH = 4.0L, Power Tech I-6	DGK = 4 Speed Autm, 42RE
P=Limited	T = 2WD		EVO, EVA = 4.7L, Power Tech V8	DGW = 4 Speed Automatic, -44RE
	U = 4WD (RHD)		EXA, EX0 = 3.1L, 5 Cyl Turbo Diesel	DG4 = Multi Speed Automatic, -45RFE
				DGO = All Automatic

AR = Use as required - = Non illustrated part # = New this model year

April 3, 2002

Luggage Carrier - Roof Mount
Figure 001-274



ITEM	PART NUMBER	QTY	LINE	BODY	DESCRIPTION
------	-------------	-----	------	------	-------------

NOTE: Requires Roof Rack. lockable area.

1	8220 4344	1	J, T	74	CARRIER KIT, Luggage
2	5066 332AA	1	J, T	74	STRAP KIT, Luggage Carrier

JEEP GRAND CHEROKEE (WJ)

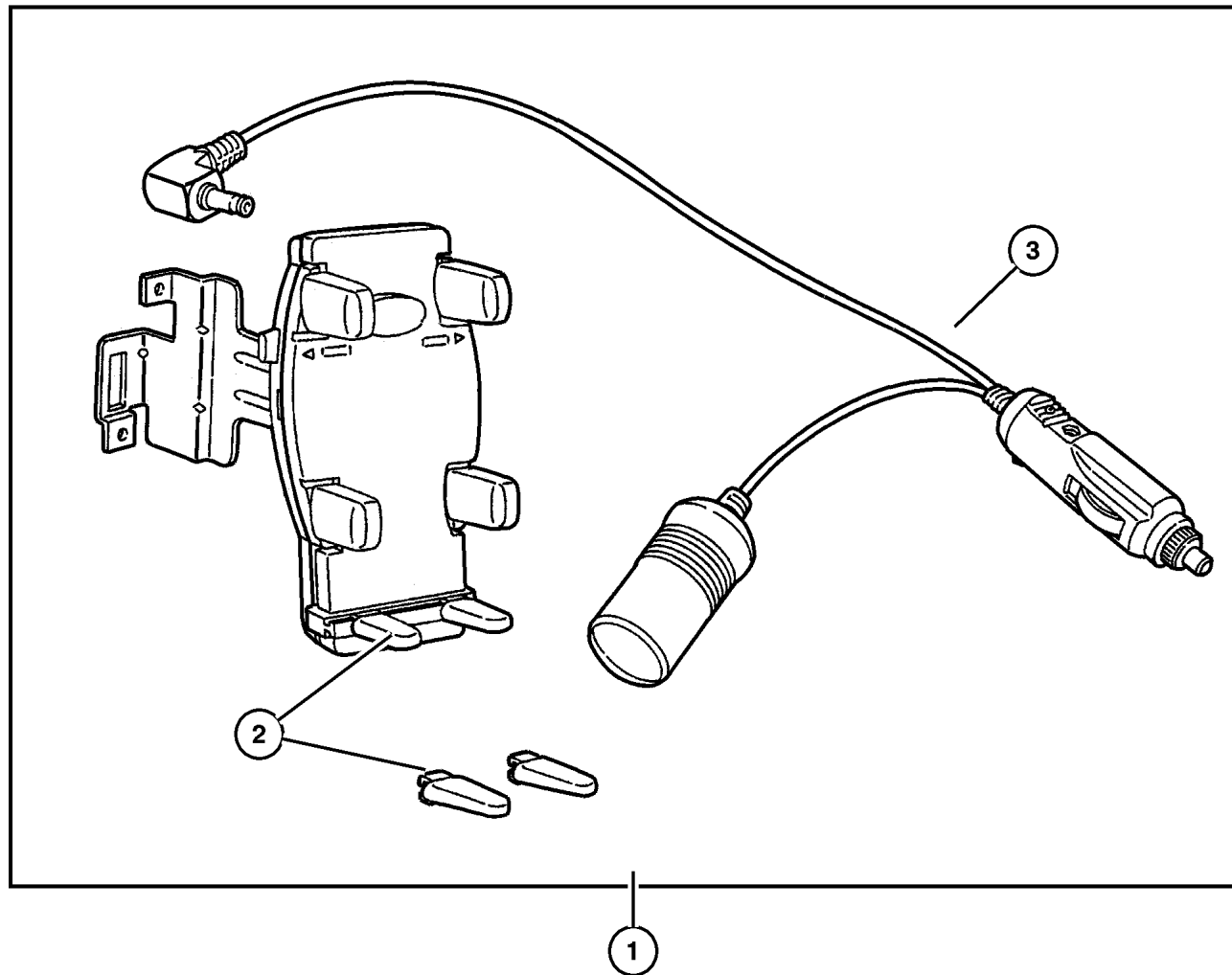
SERIES	LINE	BODY	ENGINE	TRANSMISSION
H=Laredo	J = 4WD	74 = 4 Door(105.9 WB)	ER0, ERH = 4.0L, Power Tech I-6	DGK = 4 Speed Autm, 42RE
P=Limited	T = 2WD		EVO, EVA = 4.7L, Power Tech V8	DGW = 4 Speed Automatic, -44RE
	U = 4WD (RHD)		EXA, EX0 = 3.1L, 5 Cyl Turbo Diesel	DG4 = Multi Speed Automatic, -45RFE
				DGO = All Automatic

AR = Use as required - = Non illustrated part # = New this model year

April 3, 2002

Mounting Kit - Cellular Phone Figure 001-310

ITEM	PART NUMBER	QTY	LINE	BODY	DESCRIPTION
NOTE; Smart Holder and Bracket Assy. with Jeep Logo, Bracket to be black powder coated low gloss. lockable area.					
NOTE: Holds any wireless handset. Installs to instrument panel. lockable area.					
1	8220 4332	1			MOUNTING KIT, Cellular Phone, Consists of: Smart Holder, Bracket Assy., Power Cord, Extra Set of Long Support Feet.
2	5016 520AA	1	J, T	74	HARDWARE KIT, Accessory, Consists of: Long & Short Support Feet.
3	5016 536AA	1			CORD, Cellular Phone, 18' Long 'Y' Accessory Feed to Plug in another 12V Accessory.



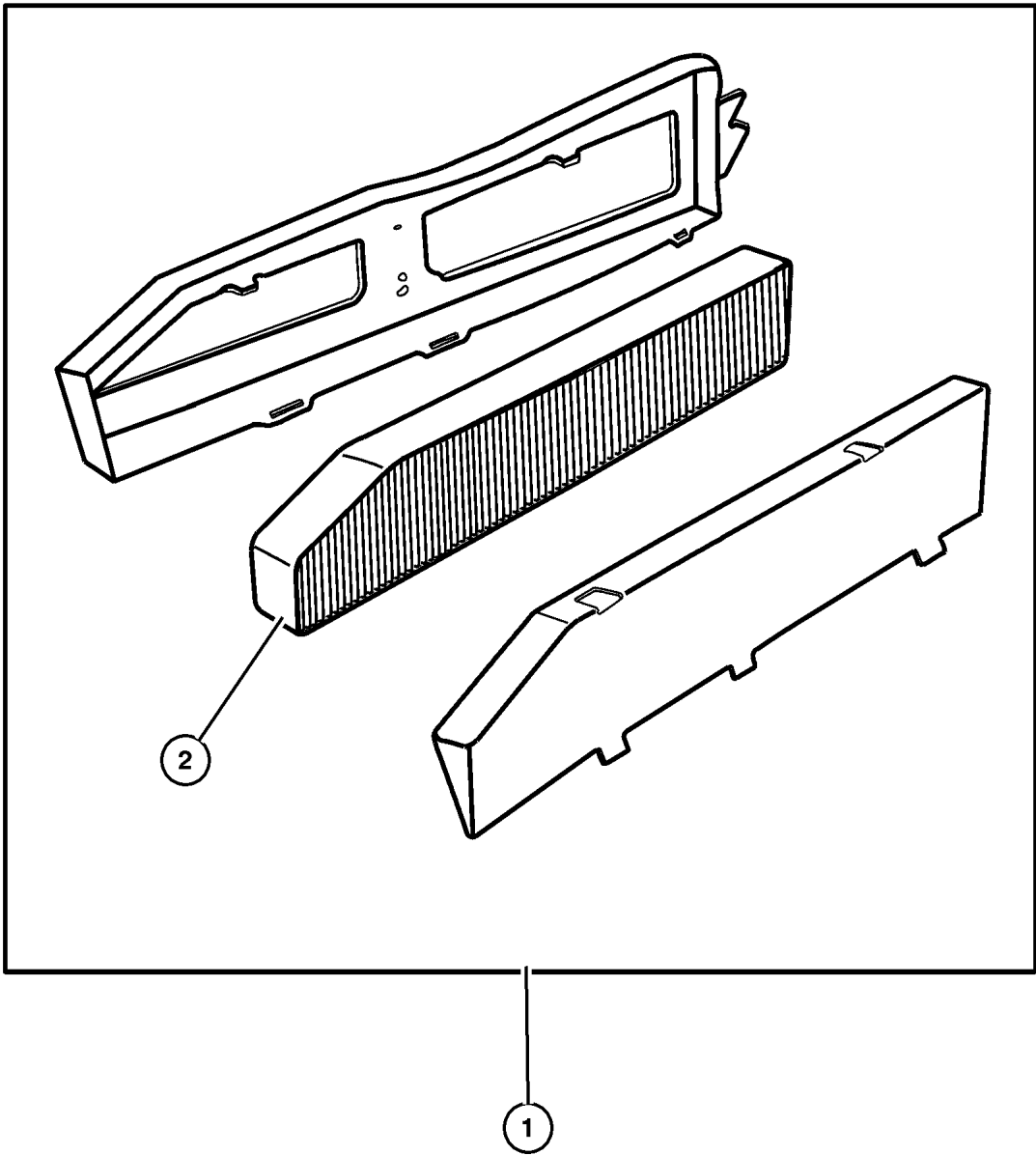
JEEP GRAND CHEROKEE (WJ)				
SERIES	LINE	BODY	ENGINE	TRANSMISSION
H=Laredo	J = 4WD	74 = 4 Door(105.9 WB)	ER0, ERH = 4.0L, Power Tech I-6	DGK = 4 Speed Autm, 42RE
P=Limited	T = 2WD		EVO, EVA = 4.7L, Power Tech V8	DGW = 4 Speed Automatic, -44RE
	U = 4WD (RHD)		EXA, EX0 = 3.1L, 5 Cyl Turbo Diesel	DG4 = Multi Speed Automatic, -45RFE
				DGO = All Automatic

AR = Use as required - = Non illustrated part # = New this model year

April 3, 2002

**Filter Kit - Cabin Air
Figure 001-315**

ITEM	PART NUMBER	QTY	LINE	BODY	DESCRIPTION
NOTE: Triple layer filters install in the fresh air intake within the plenum area. Reduces pollen, mold & other allergens. lockable area.					
NOTE: Heating, ventilating & air conditioning continue to function as designed. Recommended service 2yrs/24,000 miles. lockable area.					
1	8220 4691	1	J, T	74	FILTER KIT, Cabin Air
2	5013 595AA	1	J, T	74	FILTER, Air

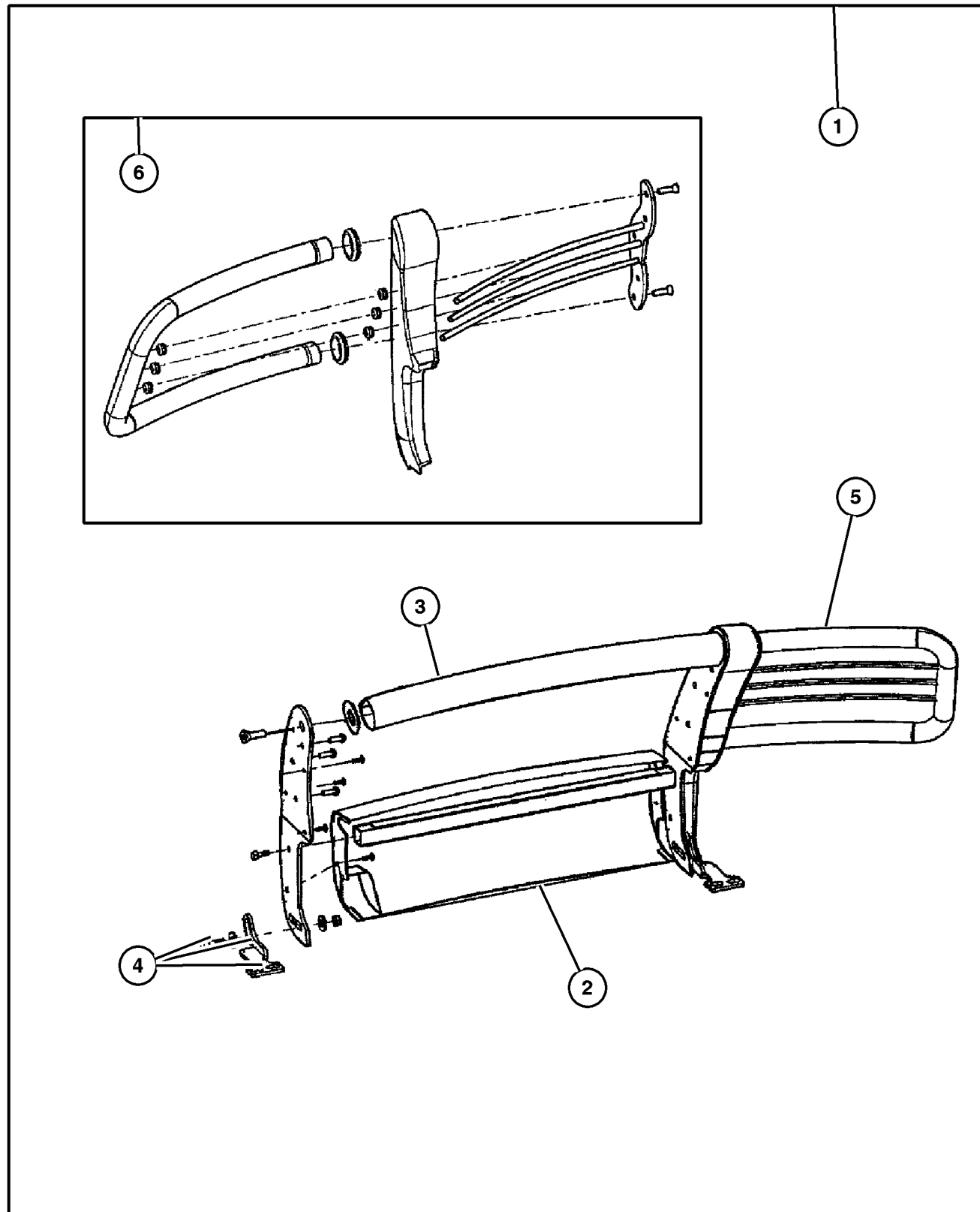


JEEP GRAND CHEROKEE (WJ)				
SERIES	LINE	BODY	ENGINE	TRANSMISSION
H=Laredo	J = 4WD	74 = 4 Door(105.9 WB)	ER0, ERH = 4.0L, Power Tech I-6	DGK = 4 Speed Autm, 42RE
P=Limited	T = 2WD		EVO, EVA = 4.7L, Power Tech V8	DGW = 4 Speed Automatic, -44RE
	U = 4WD (RHD)		EXA, EX0 = 3.1L, 5 Cyl Turbo Diesel	DG4 = Multi Speed Automatic, -45RFE
				DGO = All Automatic

AR = Use as required - = Non illustrated part # = New this model year

April 3, 2002

Brush Guards Figure 001-410



ITEM	PART NUMBER	QTY	LINE	BODY	DESCRIPTION
1					GUARD KIT, Brush
	8220 5161	1	J, T	74	Medium Driftwood
	8220 5162	1	J, T	74	Black Steel
	8220 5163	1	J, T	74	Natural Aluminum
	8220 5164	1	J, T	74	Chromed Steel
	#8220 5223	1	J, T	74	Dark Gray [XS9]
2					COVER, Grille Guard Lower
	5016 829AA	1	J, T	74	Black
	5016 830AA	1	J, T	74	Driftwood
	#5016 832AA	1	J, T	74	Dark Gray
3	5016 833AA	1	J, T	74	CROSS BAR, Grille Guard, Chrome
4	5016 849AA	1	J, T	74	BRACKET KIT, Brush/Grille Guard
5					GUARD, Brush - Right Side
	5016 858AA	1	J, T	74	Medium Driftwood
	5016 860AA	1	J, T	74	Black
	5016 862AA	1	J, T	74	Natural Aluminum
	5016 864AA	1	J, T	74	Chromed
	#5016 866AA	1	J, T	74	Dark Gray [XS9]
6					GUARD, Brush - Left Side
	5016 861AA	1	J, T	74	Black
	5016 863AA	1	J, T	74	Natural Aluminum
	5016 865AA	1	J, T	74	Chromed
	#5016 867AA	1	J, T	74	Dark Gray [XS9]

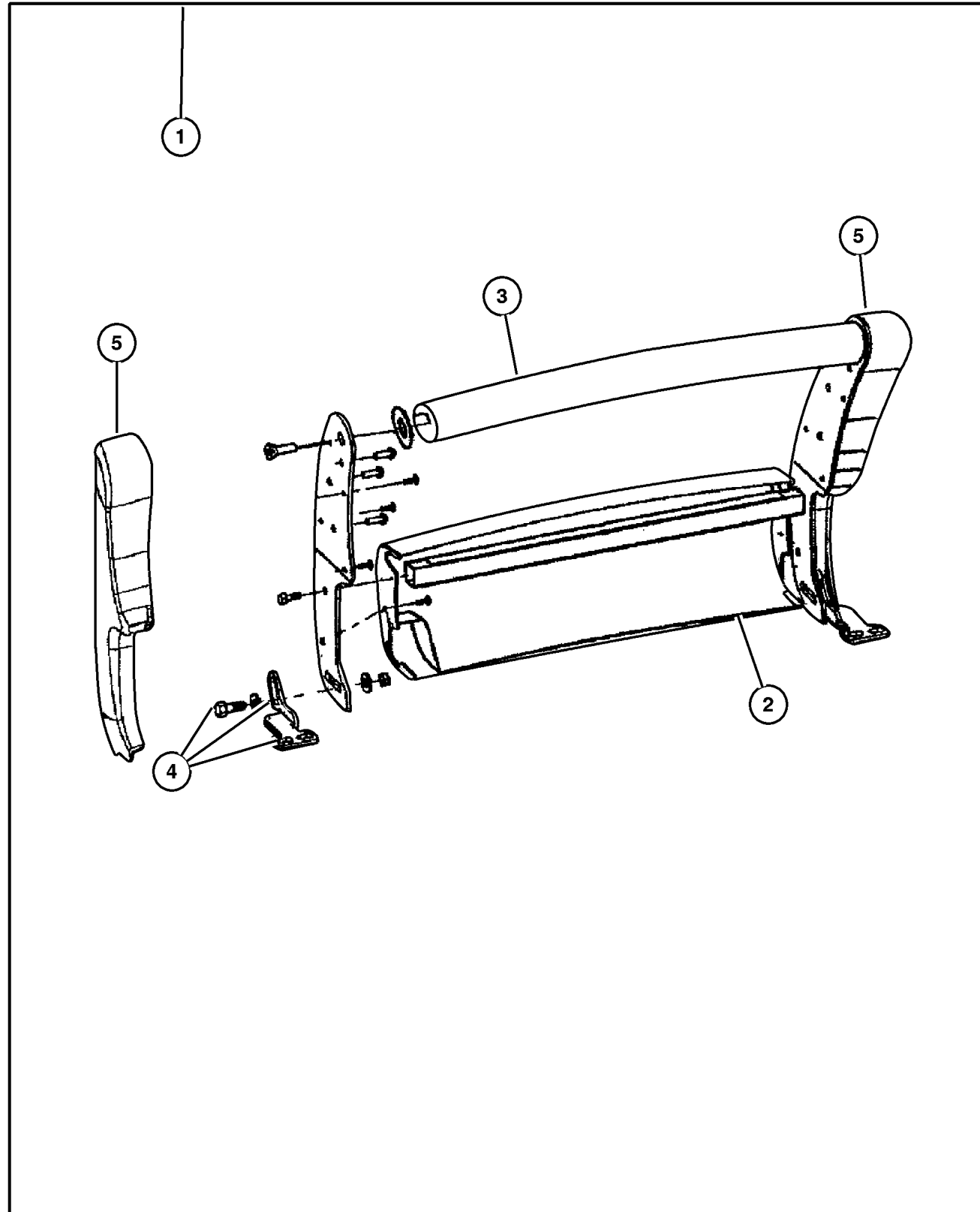
JEEP GRAND CHEROKEE (WJ)

SERIES	LINE	BODY	ENGINE	TRANSMISSION
H=Laredo	J = 4WD	74 = 4 Door(105.9 WB)	ER0, ERH = 4.0L, Power Tech I-6	DGK = 4 Speed Autm, 42RE
P=Limited	T = 2WD		EV0, EVA = 4.7L, Power Tech V8	DGW = 4 Speed Automatic, -44RE
	U = 4WD (RHD)		EXA, EX0 = 3.1L, 5 Cyl Turbo Diesel	DG4 = Multi Speed Automatic, -45RFE
				DGO = All Automatic

AR = Use as required - = Non illustrated part # = New this model year

April 3, 2002

**Grille Guards
Figure 001-412**



ITEM	PART NUMBER	QTY	LINE	BODY	DESCRIPTION
NOTE: Bracket Kit also includes 2-Upper Stiffener Brackets. lockable area.					
1					GUARD KIT, Grille
	8220 4590	1	J, T	74	Chromed Steel
	8220 4591	1	J, T	74	Natural Aluminum
	8220 4592	1	J, T	74	Black Steel
	8220 4594	1	J, T	74	Medium Driftwood
	#8220 5222	1	J, T	74	Dark Gray
2					COVER, Grille Guard Lower
	5016 829AA	1	J, T	74	Black
	5016 830AA	1	J, T	74	Driftwood
	#5016 832AA	1	J, T	74	Dark Gray
3	5016 833AA	1	J, T	74	CROSS BAR, Grille Guard, Chrome
4	5016 849AA	1	J, T	74	BRACKET KIT, Brush/Grille Guard
5					COVER, Grille Guard Side
	5016 834AA	1	J, T	74	Black, Right
	5016 835AA	1	J, T	74	Black, Left
	5016 836AA	1	J, T	74	Driftwood, Right
	5016 837AA	1	J, T	74	Driftwood, Left
	#5016 840AA	1	J, T	74	Dark Gray, Right
	#5016 841AA	1	J, T	74	Dark Gray, Left

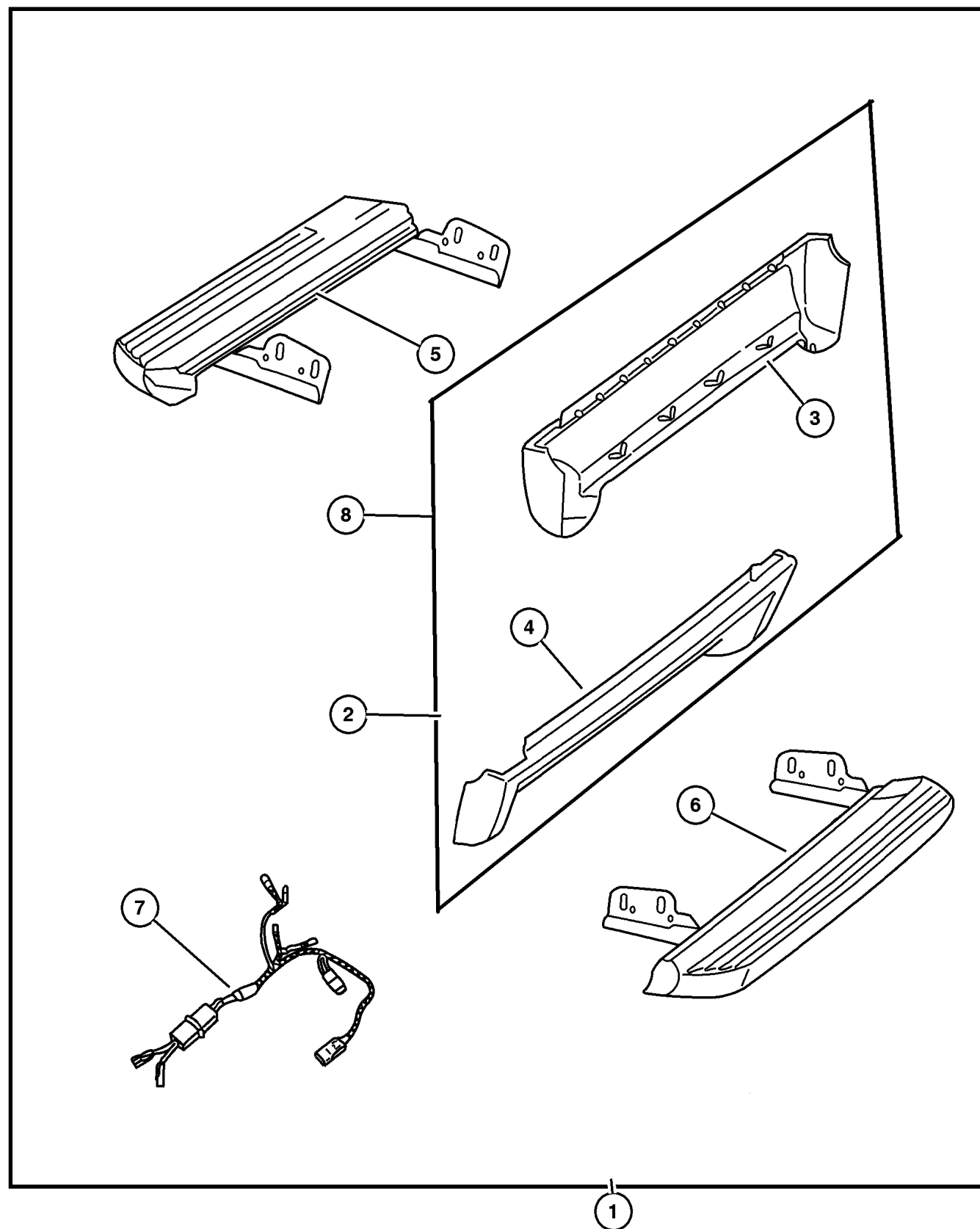
JEEP GRAND CHEROKEE (WJ)

SERIES	LINE	BODY	ENGINE	TRANSMISSION
H=Laredo	J = 4WD	74 = 4 Door(105.9 WB)	ER0, ERH = 4.0L, Power Tech I-6	DGK = 4 Speed Autm, 42RE
P=Limited	T = 2WD		EVO, EVA = 4.7L, Power Tech V8	DGW = 4 Speed Automatic, -44RE
	U = 4WD (RHD)		EXA, EX0 = 3.1L, 5 Cyl Turbo Diesel	DG4 = Multi Speed Automatic, -45RFE
				DGO = All Automatic

AR = Use as required - = Non illustrated part # = New this model year

April 3, 2002

Running Boards
Figure 001-430



ITEM	PART NUMBER	QTY	LINE	BODY	DESCRIPTION
1	8220 4577	1	J, T	74	RUNNING BOARD KIT, Full
2	#8220 5219	1		74	CLADDING KIT, Running Board, Laredo, without Lights
3					CLADDING, Running Board, Right Side
	#5016 586AA	1	J, T	74	Right Hand, without Lights,Laredo
	#5016 592AA	1	J, T	74	Right Hand, with Lights, Laredo
	5016 348AA	1	J, T	74	Right Hand, without Lights, Limited
	5016 350AA	1	J, T	74	Right Hand, with Lights, Limited
4					CLADDING, Running Board, Left Side
	#5016 587AA	1	J, T	74	Left Hand, without Lights, Laredo
	#5016 593AA	1		74	Left Hand, with Lights, Laredo
	5016 349AA	1	J, T	74	Left Hand without Lights, Limited
	5016 351AA	1	J, T	74	Left Hand with Lights, Limited
5	5016 364AA	1	J, T	74	RUNNING BOARD, Right Side
6	5016 365AA	1	J, T	74	RUNNING BOARD, Left Side
7	5016 347AA	1	J, T	74	MODULE, Running Board Light
8					CLADDING KIT, Lowerside
	#8220 5723	1	J, T	74	Limited, with Lights (Shale Green)
	#8220 5725	1	J, T	74	Limited, without Lights, (Shale Green)
	#8220 5724	1	J, T	74	Limited, with Lights, (Silverstone)
	#8220 5726	1	J, T	74	Limited, without Lights,(Silverstone)

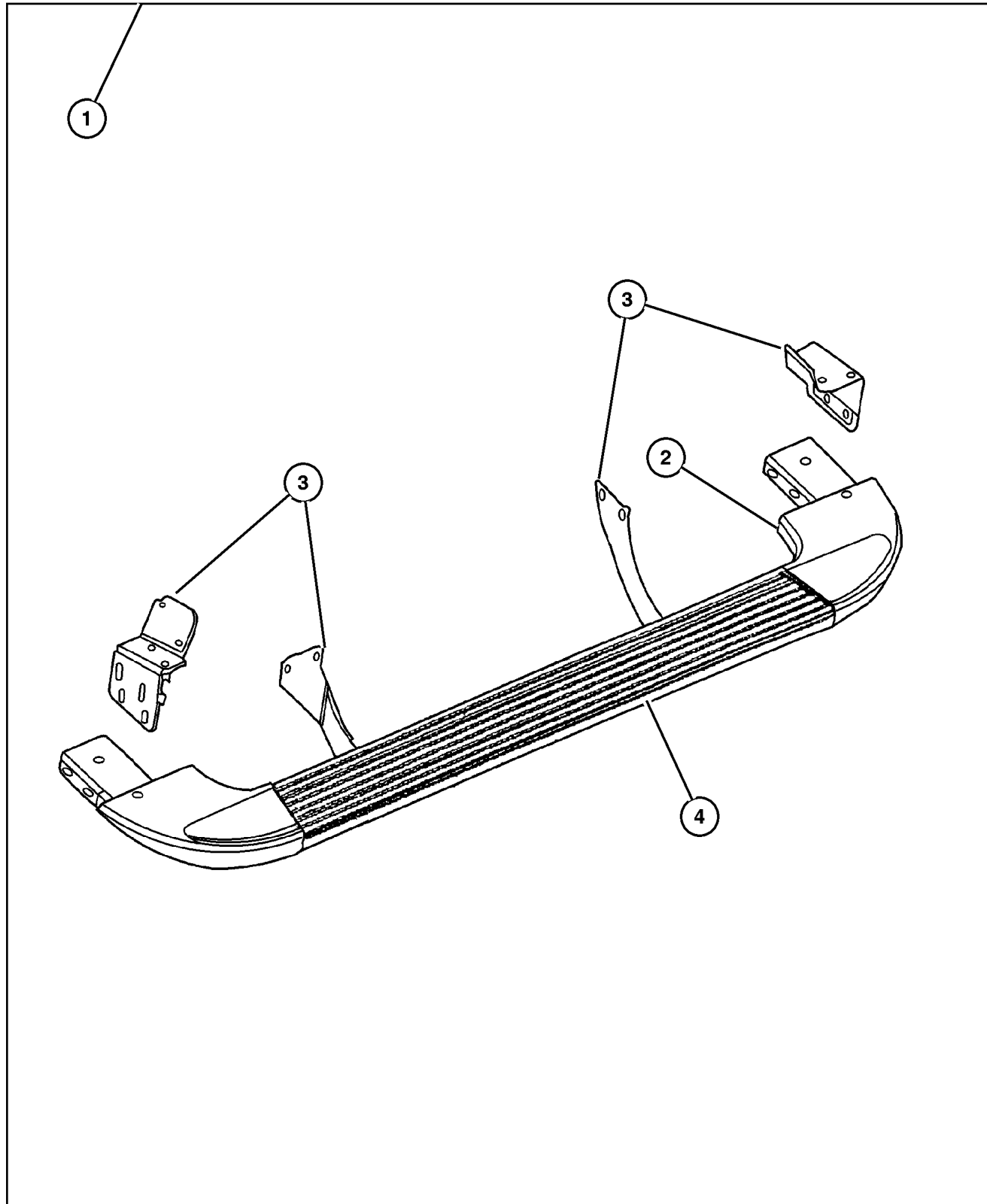
JEEP GRAND CHEROKEE (WJ)

SERIES	LINE	BODY	ENGINE	TRANSMISSION
H=Laredo	J = 4WD	74 = 4 Door(105.9 WB)	ER0, ERH = 4.0L, Power Tech I-6	DGK = 4 Speed Autm, 42RE
P=Limited	T = 2WD		EVO, EVA = 4.7L, Power Tech V8	DGW = 4 Speed Automatic, -44RE
	U = 4WD (RHD)		EXA, EX0 = 3.1L, 5 Cyl Turbo Diesel	DG4 = Multi Speed Automatic, -45RFE
				DGO = All Automatic

AR = Use as required - = Non illustrated part # = New this model year

April 3, 2002

Side Step Kit Figure 001-432



ITEM	PART NUMBER	QTY	LINE	BODY	DESCRIPTION
NOTE: Step Kit will service either Right or Left Side. Support Brackets vary from side to side and by Trim Level and must be ordered separately if needed.					
1					STEP KIT, Tubular Side
	8220 4595	1	J, T	74	Laredo only (Chrome)
	8220 4596	1	J, T	74	Laredo only (Driftwood)
	8220 4598	1	J, T	74	Laredo only (Black)
	8220 4599	1	J, T	74	Laredo only (Aluminum)
	8220 4767	1	J, T	74	Limited only (Chrome)
	8220 4768	1	J, T	74	Limited only (Black)
	8220 4769	1	J, T	74	Limited only (Aluminum)
2					STEP KIT, Side, Must Order Support Brackets Separately
	5016 656AA	1	J, T	74	Use with 82204595, 82204767 (Chrome)
	5016 658AA	1	J, T	74	Use with 82204598, 82204768 (Black)
	5016 659AA	1	J, T	74	Use with 82204596 (Driftwood)
	5016 660AA	1	J, T	74	Use with 82204599, 82204769 (Aluminum)
3					BRACKET KIT, Side Step
	5016 662AA	1	J, T	74	Use with 82204767, 82204768, 82204769 Limited only
	5016 663AA	1	J, T	74	Use with 82204767, 82204769 82204768 Limited only
	5016 664AA	1	J, T	74	Use with 82204595, 82204596, 82204598, 82204599 Laredo only
	5016 665AA	1	J, T	74	Use with 82204595, 82204596, 82204598, 82204599 Laredo only.
4	5016 655AA	1	J, T	74	STEP PAD, Side Step, Fits Both Sides

JEEP GRAND CHEROKEE (WJ)

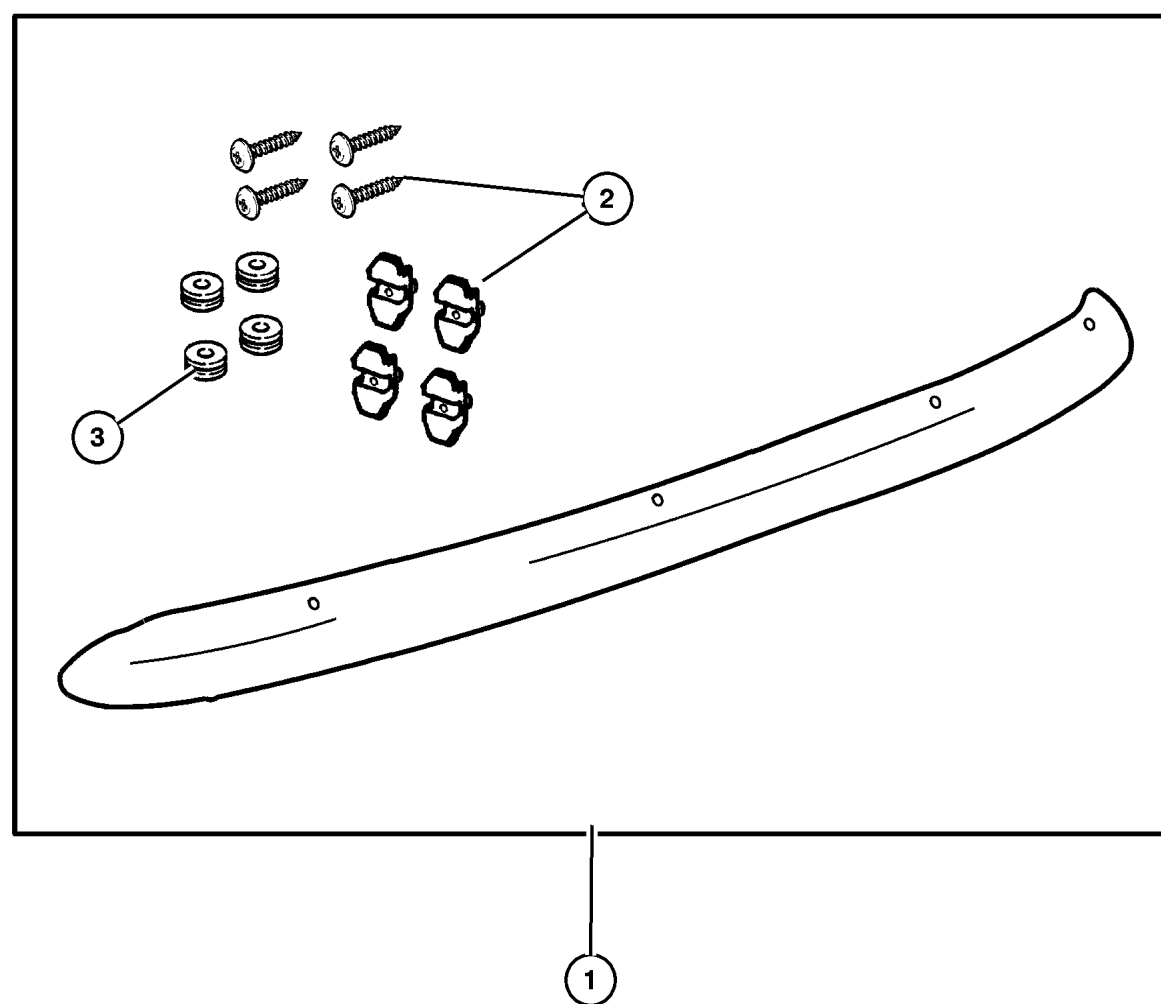
SERIES	LINE	BODY	ENGINE	TRANSMISSION
H=Laredo	J = 4WD	74 = 4 Door(105.9 WB)	ER0, ERH = 4.0L, Power Tech I-6	DGK = 4 Speed Autm, 42RE
P=Limited	T = 2WD		EV0, EVA = 4.7L, Power Tech V8	DGW = 4 Speed Automatic, -44RE
	U = 4WD (RHD)		EXA, EX0 = 3.1L, 5 Cyl Turbo Diesel	DG4 = Multi Speed Automatic, -45RFE
				DGO = All Automatic

AR = Use as required - = Non illustrated part # = New this model year

April 3, 2002

**Shield Kit, Air Front
Figure 001-510**

ITEM	PART NUMBER	QTY	LINE	BODY	DESCRIPTION
NOTE: Shield Kit - Color Smoke, Material Lexan. eded.					
1	8220 4314	1	J, T	74	SHIELD KIT, Air - Front
2	5016 373AA	1	J, T	74	RETAINER, Accessories, Consists of: 4-Plastic Retainers, 4-Screws to hold deflector to underside of sheet metal of hood
3	5014 754AA	1	J, T	74	SPACER, Air Deflector



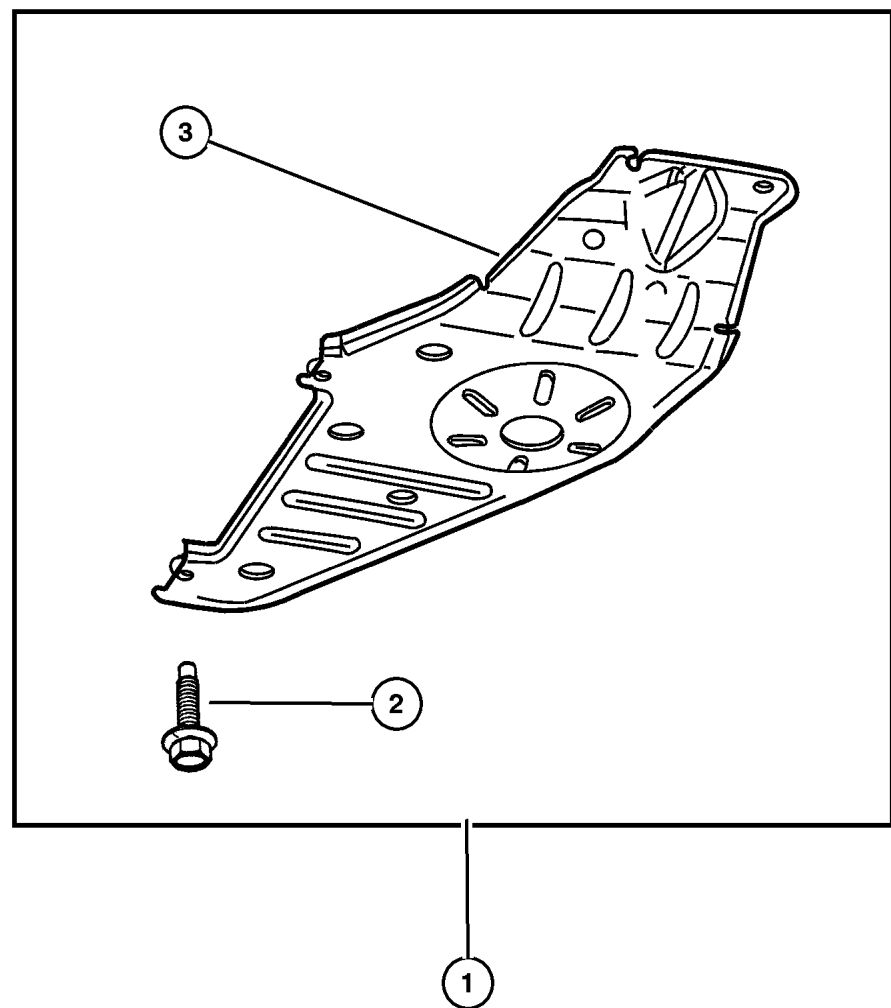
JEEP GRAND CHEROKEE (WJ)				
SERIES	LINE	BODY	ENGINE	TRANSMISSION
H=Laredo	J = 4WD	74 = 4 Door(105.9 WB)	ER0, ERH = 4.0L, Power Tech I-6	DGK = 4 Speed Autm, 42RE
P=Limited	T = 2WD		EVO, EVA = 4.7L, Power Tech V8	DGW = 4 Speed Automatic, -44RE
	U = 4WD (RHD)		EXA, EX0 = 3.1L, 5 Cyl Turbo Diesel	DG4 = Multi Speed Automatic, -45RFE
				DGO = All Automatic

AR = Use as required - = Non illustrated part # = New this model year

April 3, 2002

**Plate Package - Skid
Figure 001-515**

ITEM	PART NUMBER	QTY	LINE	BODY	DESCRIPTION
1	8220 4489	1	J	74	PLATE PACKAGE, Skid - Transfer Case
2	6503 571	1	J	74	SCREW AND WASHER, M10x1.50x35
3	5205 8922	1	J	74	SKID PLATE, Transfer Case
-4	52100 376AB	1	J, T	74	SKID PLATE, Fuel Tank
-5	8220 4488	1	J, T	74	PLATE PACKAGE, Skid - Front



JEEP GRAND CHEROKEE (WJ)

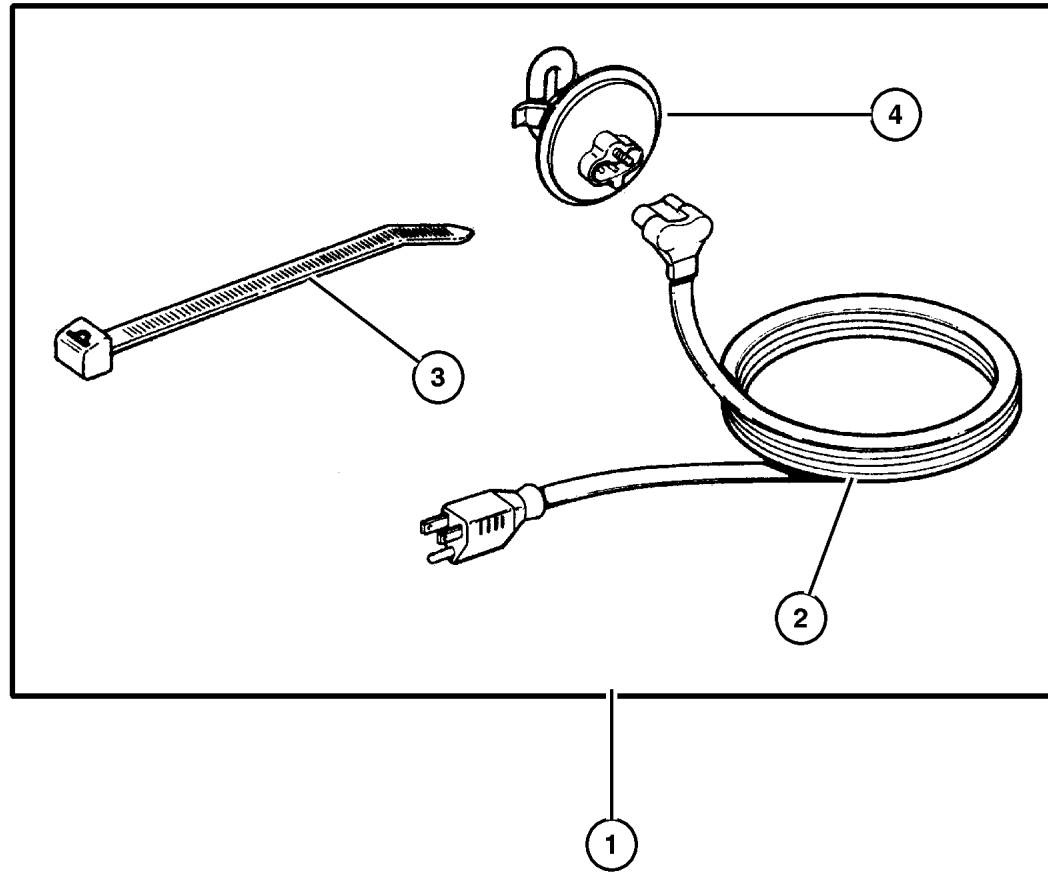
SERIES	LINE	BODY	ENGINE	TRANSMISSION
H=Laredo	J = 4WD	74 = 4 Door(105.9 WB)	ER0, ERH = 4.0L, Power Tech I-6	DGK = 4 Speed Autm, 42RE
P=Limited	T = 2WD		EVO, EVA = 4.7L, Power Tech V8	DGW = 4 Speed Automatic, -44RE
	U = 4WD (RHD)		EXA, EX0 = 3.1L, 5 Cyl Turbo Diesel	DG4 = Multi Speed Automatic, -45RFE
				DGO = All Automatic

AR = Use as required - = Non illustrated part # = New this model year

April 3, 2002

Heater Kit Figure 001-610

ITEM	PART NUMBER	QTY	LINE	BODY	DESCRIPTION
1					HEATER PACKAGE, Engine Block
	8220 1506	1	J, T	74	Consists of: Block Heater & Cord Set. Fits all 4.0L V6 Engines
	8220 3640	1	J, T	74	Consists of: Block Heater & Cord Set. Fits all 4.7L V8 Engines
2					CORD, Engine Block Heater
	J575 2677	1	J, T	74	4.0L V6 Engines
	5602 7117	1	J, T	74	4.7L V8 Engines
3					STRAP, Tie
	4641 780	1	J, T	74	4.0L V6 Engines
	5600 8876	1	J, T	74	4.7L V8 Engines
4					HEATER, Engine Block
	5300 9803	1	J, T	74	4.0L V6 Engines
	56041 304AB	1	J, T	74	4.7L V8 Engines



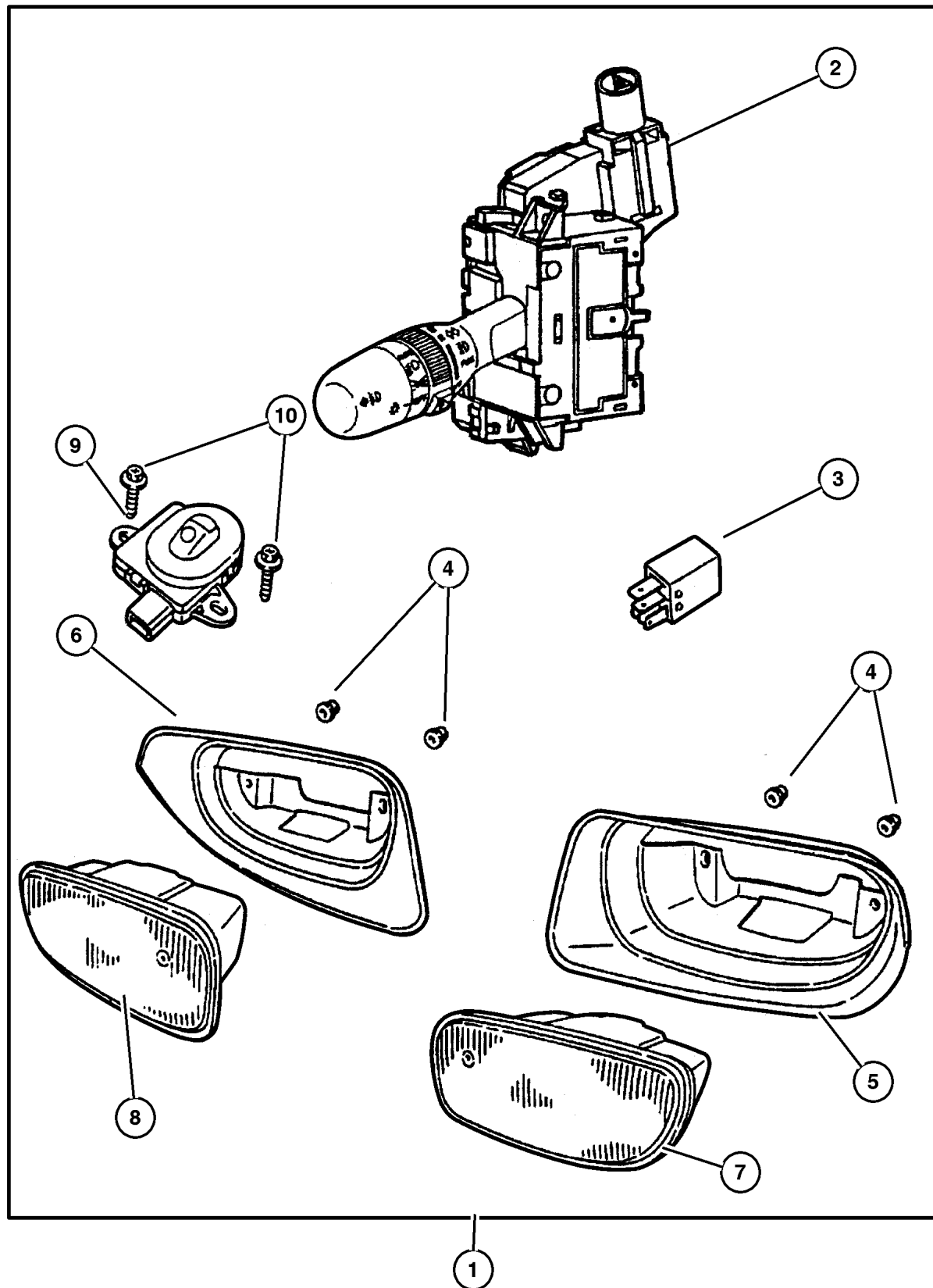
JEEP GRAND CHEROKEE (WJ)

SERIES	LINE	BODY	ENGINE	TRANSMISSION
H=Laredo	J = 4WD	74 = 4 Door(105.9 WB)	ER0, ERH = 4.0L, Power Tech I-6	DGK = 4 Speed Autm, 42RE
P=Limited	T = 2WD		EVO, EVA = 4.7L, Power Tech V8	DGW = 4 Speed Automatic, -44RE
	U = 4WD (RHD)		EXA, EX0 = 3.1L, 5 Cyl Turbo Diesel	DG4 = Multi Speed Automatic, -45RFE
				DGO = All Automatic

AR = Use as required - = Non illustrated part # = New this model year

April 3, 2002

Light Pkg - Fog
Figure 001-615



ITEM	PART NUMBER	QTY	LINE	BODY	DESCRIPTION
1	8220 4837	1	J, T	74	LIGHT PACKAGE, Fog
2	56042 302AE	1	J, T	74	SWITCH, Multifunction
3	4671 168	1	J, T	74	RELAY, Mini
4	3420 1358	4	J, T	74	NUT AND WASHER, Hex Nut-Sealing Washer, M6 x 1.00
5	8220 5214	1	J, T	74	BEZEL, Fog Lamp, Right Hand
6	8220 5215	1	J, T	74	BEZEL, Fog Lamp, Left Hand
7	5515 5137	1	J, T	74	LAMP, Fog, Use Replacement Bulb 00154834, Left
8	5515 5136	1	J, T	74	LAMP, Fog, Use Replacement Bulb 00154834, Right
9	56042 584AA	1	J, T	74	SENSOR, Headlamp
10	6101 946	1	J, T	74	SCREW, Tapping
-11	00AT M20	1	J, T	74	FUSE, Mini, 20 AMP, Yellow

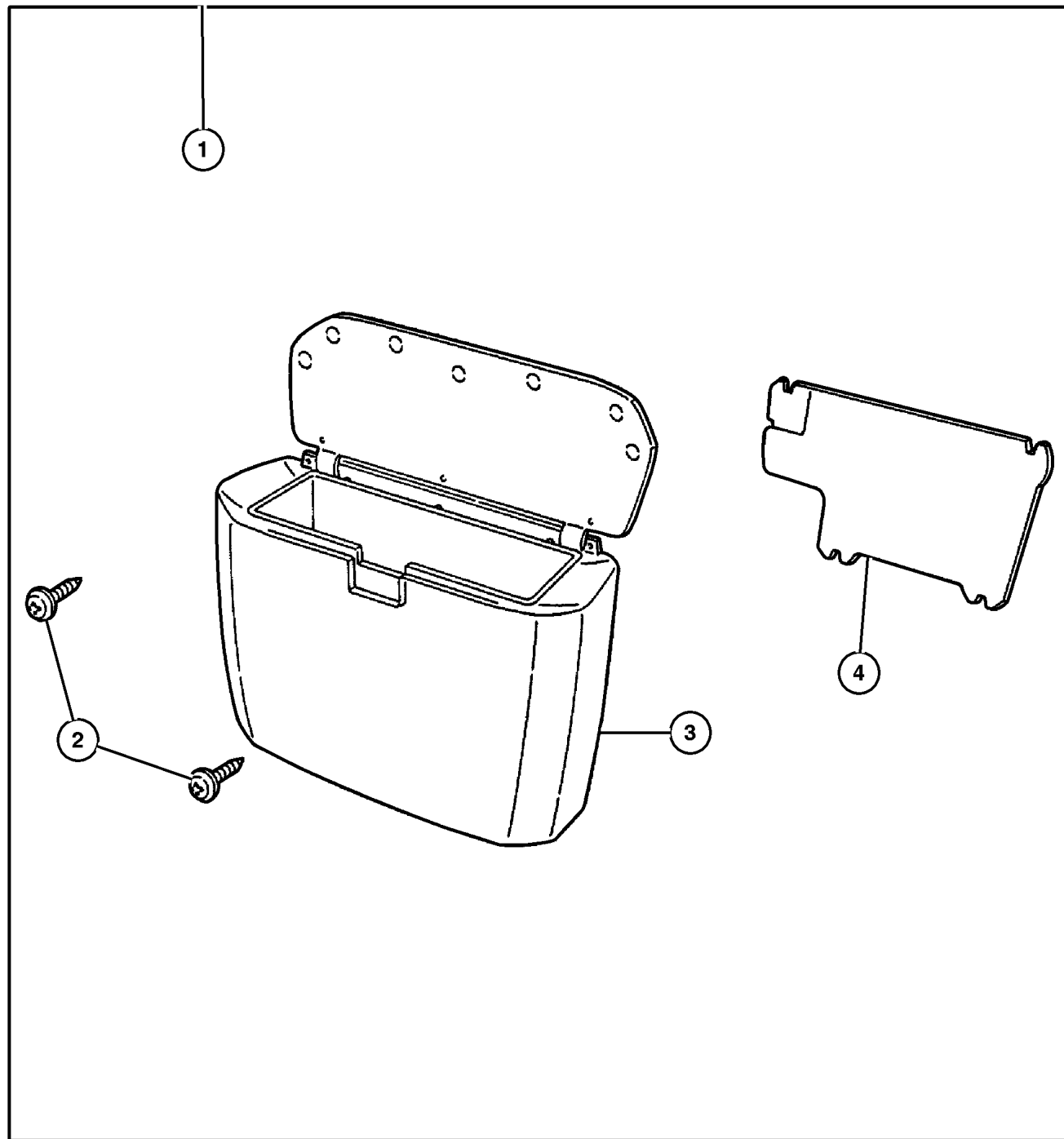
JEEP GRAND CHEROKEE (WJ)

SERIES	LINE	BODY	ENGINE	TRANSMISSION
H=Laredo	J = 4WD	74 = 4 Door(105.9 WB)	ER0, ERH = 4.0L, Power Tech I-6	DGK = 4 Speed Autm, 42RE
P=Limited	T = 2WD		EVO, EVA = 4.7L, Power Tech V8	DGW = 4 Speed Automatic, -44RE
	U = 4WD (RHD)		EXA, EX0 = 3.1L, 5 Cyl Turbo Diesel	DG4 = Multi Speed Automatic, -45RFE
				DGO = All Automatic

AR = Use as required - = Non illustrated part # = New this model year

April 3, 2002

Console Package - Rear
Figure 001-810



ITEM	PART NUMBER	QTY	LINE	BODY	DESCRIPTION
------	-------------	-----	------	------	-------------

NOTE: For CD Changer. Rear Right Quarter Panel. eded.

1					CONSOLE PACKAGE, Rear
	8220 4624	1	J, T	74	Taupe
	8220 4626	1	J, T	74	Agate
	8220 4625	1	J, T	74	Camel
2	0153 921	1	J, T	74	SCREW
3					BIN, Storage
	5FW37 1AZAD	1			Agate
	5FW37 1K5AB	1	J, T	74	Camel
	5FW37 1L5AD	1			Taupe
4					COVER, Bolt
	5FY38 LAZAA	1			Agate
	5FY38 RK5AA	1			Camel
	5FY38 WL5AA	1			Taupe

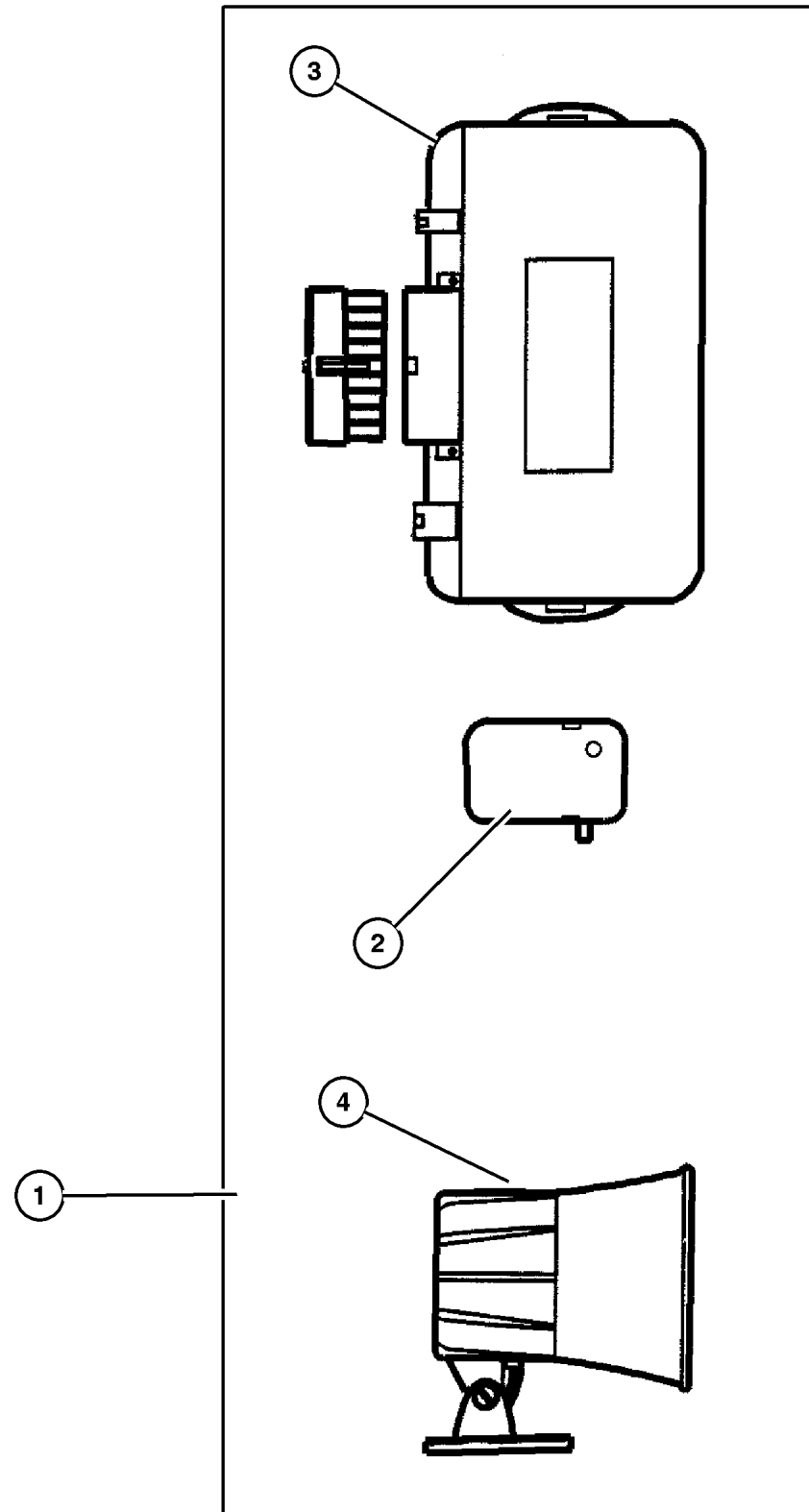
JEEP GRAND CHEROKEE (WJ)

SERIES	LINE	BODY	ENGINE	TRANSMISSION
H=Laredo	J = 4WD	74 = 4 Door(105.9 WB)	ER0, ERH = 4.0L, Power Tech I-6	DGK = 4 Speed Autm, 42RE
P=Limited	T = 2WD		EVO, EVA = 4.7L, Power Tech V8	DGW = 4 Speed Automatic, -44RE
	U = 4WD (RHD)		EXA, EX0 = 3.1L, 5 Cyl Turbo Diesel	DG4 = Multi Speed Automatic, -45RFE
				DGO = All Automatic

AR = Use as required - = Non illustrated part # = New this model year

April 3, 2002

Module - Security Alarm
Figure 001-910



ITEM	PART NUMBER	QTY	LINE	BODY	DESCRIPTION
NOTE; Order Wiring separately. eded.					
1	8220 4268	1	J, T	74	MODULE, Security Alarm
2	4886 261AB	1	J, T	74	SENSOR, Shock, With Connector
3	5011 619AA	1	J, T	74	MODULE, Security Alarm
4	8220 3198	1	J, T	74	SIREN, Alarm

JEEP GRAND CHEROKEE (WJ)

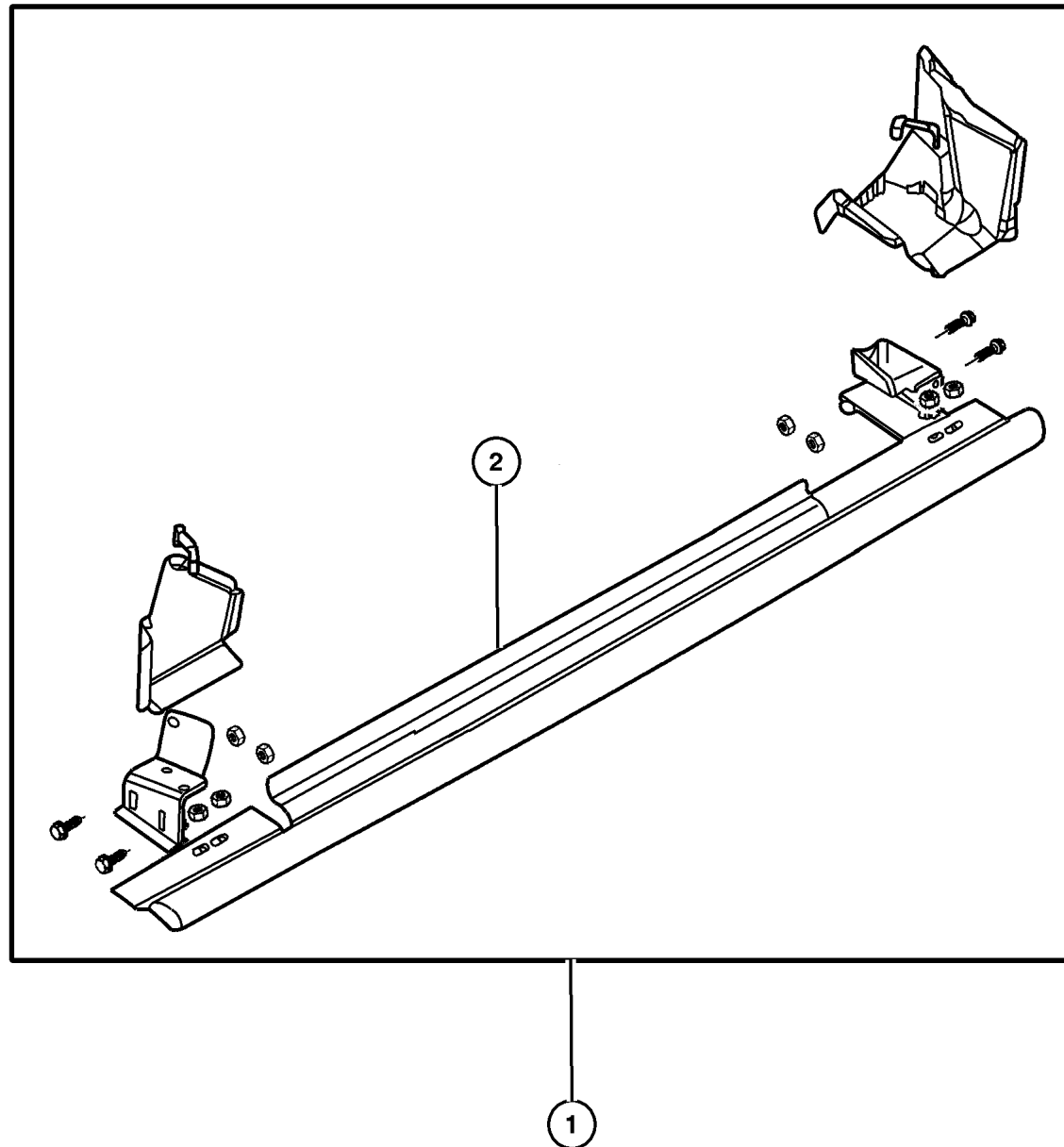
SERIES	LINE	BODY	ENGINE	TRANSMISSION
H=Laredo	J = 4WD	74 = 4 Door(105.9 WB)	ER0, ERH = 4.0L, Power Tech I-6	DGK = 4 Speed Autm, 42RE
P=Limited	T = 2WD		EVO, EVA = 4.7L, Power Tech V8	DGW = 4 Speed Automatic, -44RE
	U = 4WD (RHD)		EXA, EX0 = 3.1L, 5 Cyl Turbo Diesel	DG4 = Multi Speed Automatic, -45RFE
				DGO = All Automatic

AR = Use as required - = Non illustrated part # = New this model year

April 3, 2002

Guard, Rock Rails
Figure 001-1010

ITEM	PART NUMBER	QTY	LINE	BODY	DESCRIPTION
NOTE: Brackets and Mounting Hardware Included. eded.					
1					GUARD KIT, Bodyside
	8220 4660	1	J, T	74	Laredo
	8220 4661	1	J, T	74	Limited
2					GUARD, Bodyside
	5016 850AA	1	J, T	74	Laredo, Right Hand
	5016 851AA	1	J, T	74	Laredo, Left Hand
	5017 516AA	1	J, T	74	Limited, Right Hand
	5017 517AA	1	J, T	74	Limited, Left Hand



JEEP GRAND CHEROKEE (WJ)				
SERIES	LINE	BODY	ENGINE	TRANSMISSION
H=Laredo	J = 4WD	74 = 4 Door(105.9 WB)	ER0, ERH = 4.0L, Power Tech I-6	DGK = 4 Speed Autm, 42RE
P=Limited	T = 2WD		EV0, EVA = 4.7L, Power Tech V8	DGW = 4 Speed Automatic, -44RE
	U = 4WD (RHD)		EXA, EX0 = 3.1L, 5 Cyl Turbo Diesel	DG4 = Multi Speed Automatic, -45RFE
				DGO = All Automatic

AR = Use as required - = Non illustrated part # = New this model year

April 3, 2002

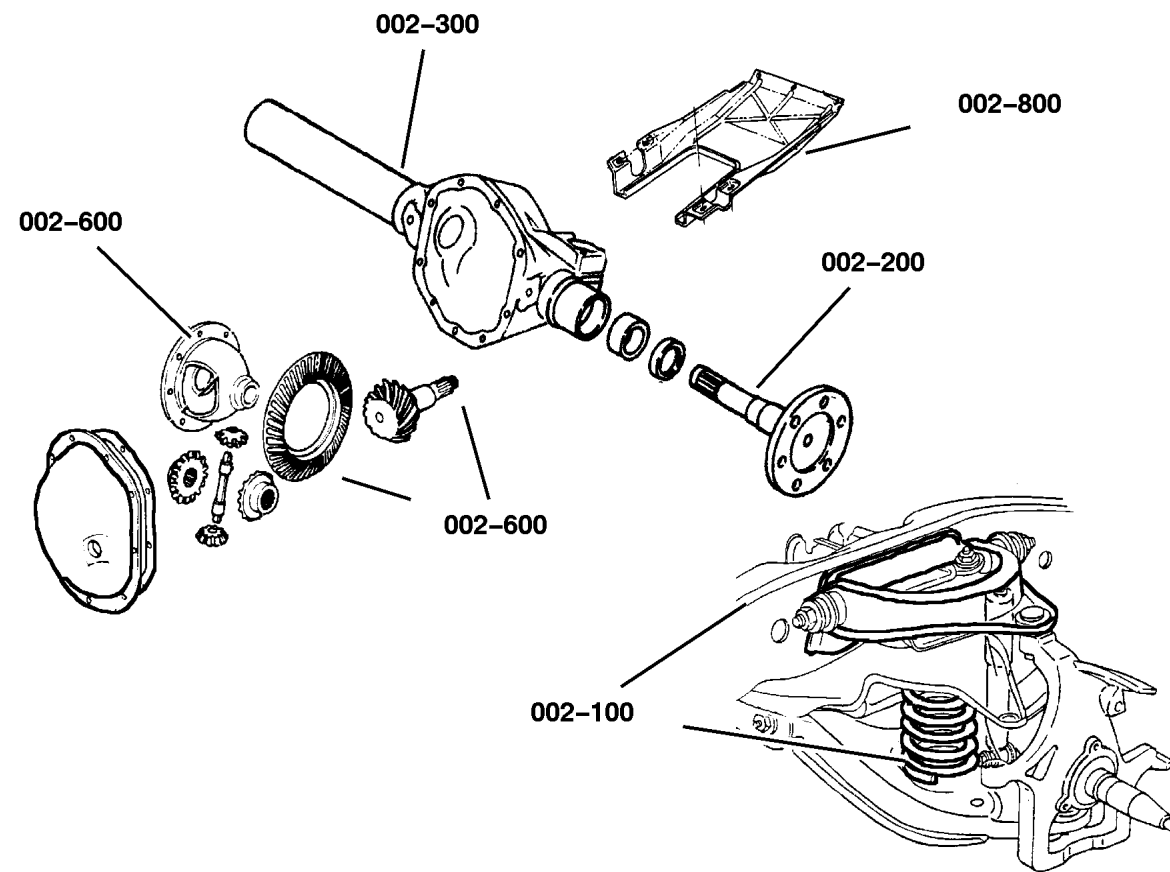
Group – 002

Front Suspension & Drive

GROUP 2 - Front Suspension & Drive

Illustration Title

Group-Fig. No.



Front Suspension

Front Stabilizer Bar and Track Bar Fig. 002-110

Suspension, Front Springs with Control Arms and Shocks Fig. 002-160

Front Axle Drive Shafts

Front Axle Shafts Fig. 002-210

Front Axle Housing

Housing Front Axle 2 Wheel Drive Fig. 002-310

Housing Front Axle 4 Wheel Drive Fig. 002-320

Front Axle Assembly

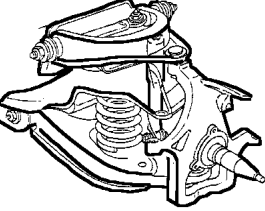
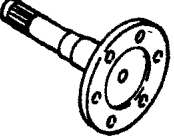
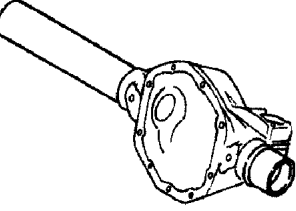
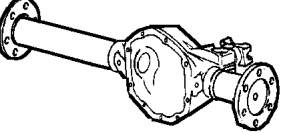
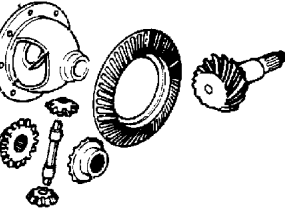
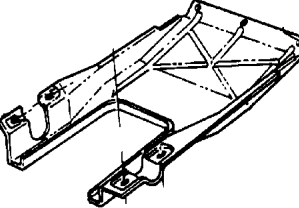
Front Axle Assembly Fig. 002-410

Front Axle Differential

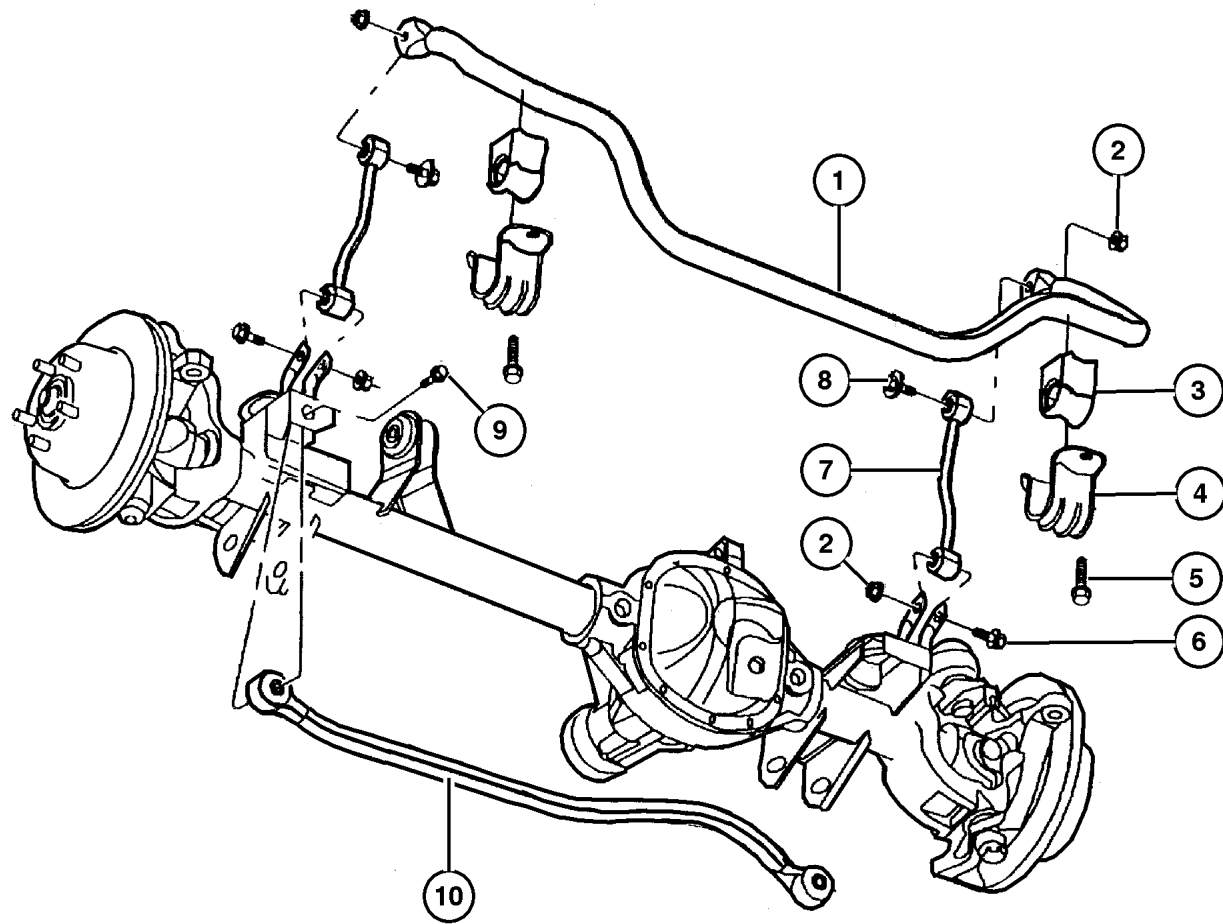
Differential, Front Axle Fig. 002-610

Front Axle Skid Plate

Skid Plate, Front Axle Fig. 002-810

<p>002-100 Front Suspension</p> 	<p>002-200 Front Axle Drive Shafts</p> 	<p>002-300 Front Axle Housing</p> 	<p>002-400 Front Axle Assembly</p> 
<p>002-600 Front Axle Differential</p> 	<p>002-800 Front Axle Skid Plate</p> 		

**Front Stabilizer Bar and Track Bar
Figure 002-110**



ITEM	PART NUMBER	QTY	LINE	BODY	ENGINE	TRANS	DESCRIPTION
ER0=ALL 4.0L Engine 6 Cyl Gas---EV0=4.7L Engine Gas---EX0 = ALL 3.0/3.1L Turbo Diesel Engine---J=4 WD-Left Hand Drive--- T=2 WD-Left Hand Drive---U=4 WD-Right Hand Drive---B=2 WD-Right Hand Drive							
1							BAR, Front Sway
	5208 8281	1			ER0, EV0		
	5208 8587	1			EX0		
2	6502 697	4					NUT, Hex Flange Lock, M12x1.75
3	#52088 284AC	2					BUSHING, Sway Bar
4	5208 8285	2					RETAINER, Sway Bar
5	6502 936	4					SCREW AND WASHER, Hex Head Pilot Point, M12x1.75x45
6	6502 473	2					BOLT, Hex Flange Head, M12x1.75x65
7	5208 8283	2					LINK, Sway Eliminator
8	6505 353AA	2					SCREW AND WASHER, M12x1.75x60
9							SCREW, Hex Flange Head, M12x1.75x80
	6503 982	1	J, T				Track Bar to Axle, Mounting
		1	U				Track Bar to Axle, Mounting
10							TRACK BAR, Front
	52088 305AB	1	J				
		1	T				
	5208 8296	1	U				
-11	6505 324AA	1					BOLT AND RETAINER, M12x1.75x80, Track Bar to Body, Mounting
-12	6502 697	1					NUT, Hex Flange Lock, M12x1.75, Track Bar to Body, Mounting

JEEP GRAND CHEROKEE (WJ)

SERIES	LINE	BODY	ENGINE	TRANSMISSION
H=Laredo	J = 4WD	74 = 4 Door(105.9 WB)	ER0, ERH = 4.0L, Power Tech I-6	DGK = 4 Speed Autm, 42RE
P=Limited	T = 2WD		EV0, EVA = 4.7L, Power Tech V8	DGW = 4 Speed Automatic, -44RE
	U = 4WD (RHD)		EXA, EX0 = 3.1L, 5 Cyl Turbo Diesel	DG4 = Multi Speed Automatic, -45RFE
				DGO = All Automatic

AR = Use as required - = Non illustrated part # = New this model year

April 3, 2002

Suspension, Front Springs with Control Arms and Shocks

Figure 002-160

ITEM	PART NUMBER	QTY	LINE	BODY	ENGINE	TRANS	DESCRIPTION
------	-------------	-----	------	------	--------	-------	-------------

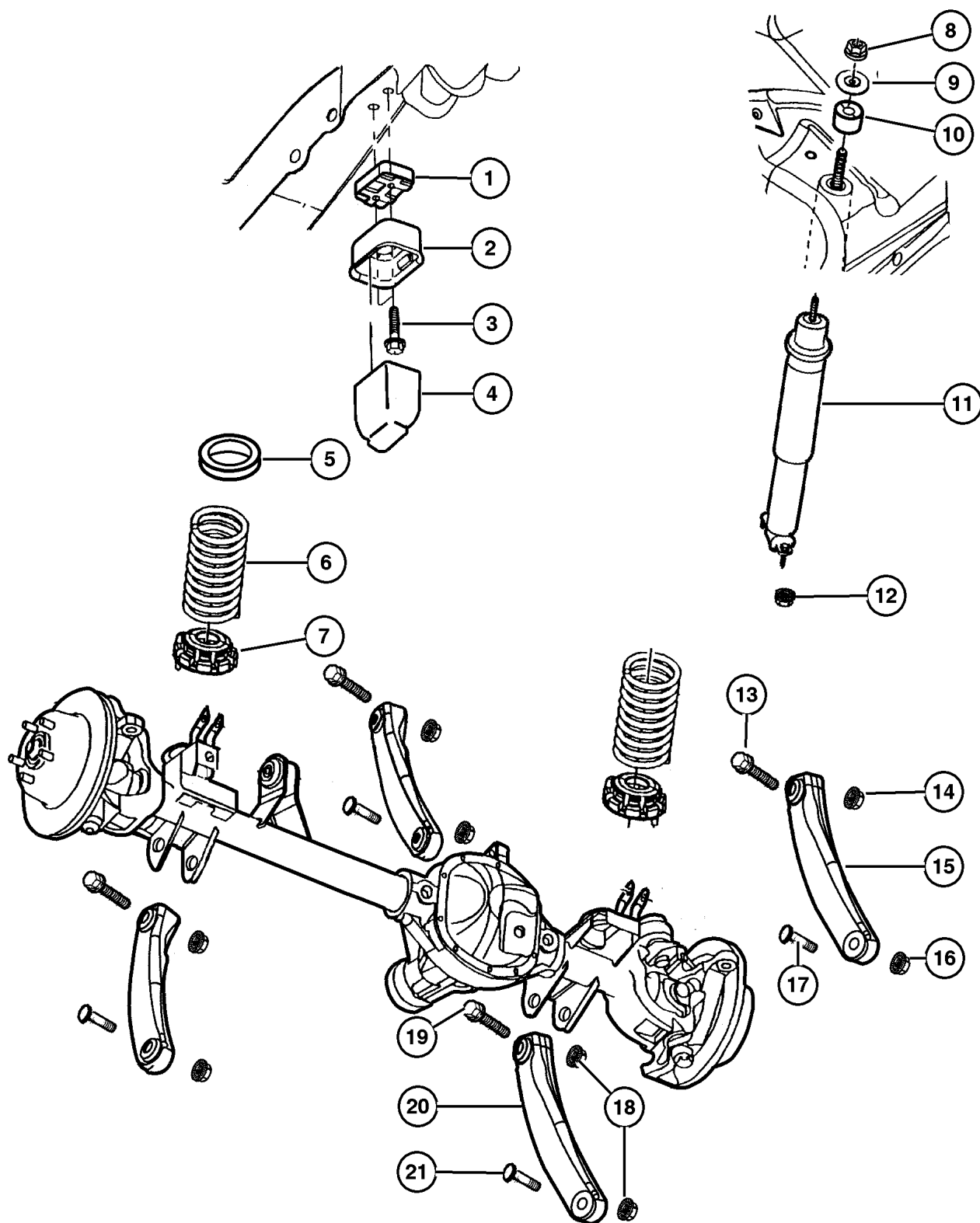
NOTES: WD-Right Hand Drive---B=2 WD-Right Hand Drive
 DG0 = All Automatic Transmissions WD-Right Hand Drive---B=2 WD-Right Hand Drive
 ER0 = All 4.0L 6 Cyl Gas Engines WD-Right Hand Drive---B=2 WD-Right Hand Drive
 EX0 = All Turbo Diesel Engines WD-Right Hand Drive---B=2 WD-Right Hand Drive
 EV0 = All 4.7L Gas Engines WD-Right Hand Drive---B=2 WD-Right Hand Drive
 SDA = Quadra Coil Suspension(Standard) WD-Right Hand Drive---B=2 WD-Right Hand Drive
 SDJ = Firm Suspension WD-Right Hand Drive---B=2 WD-Right Hand Drive
 SDU = Heavy Duty Suspension WD-Right Hand Drive---B=2 WD-Right Hand Drive
 LCA = Lower Control Arm WD-Right Hand Drive---B=2 WD-Right Hand Drive
 UCA = Upper Control Arm WD-Right Hand Drive---B=2 WD-Right Hand Drive
 Check Vin Number For the 'Z' Code on Front Springs WD-Right Hand Drive---B=2 WD-Right Hand Drive
 WD-Right Hand Drive---B=2 WD-Right Hand Drive
 Markets: WD-Right Hand Drive---B=2 WD-Right Hand Drive
 U = United States WD-Right Hand Drive---B=2 WD-Right Hand Drive
 C = Canada WD-Right Hand Drive---B=2 WD-Right Hand Drive
 M = Mexico WD-Right Hand Drive---B=2 WD-Right Hand Drive
 B = Export WD-Right Hand Drive---B=2 WD-Right Hand Drive

1	5208 8259	2	J, U		EX0		SPACER, Jounce Bumper, Upper
2	5208 8254	2					CUP, Jounce Bumper, Upper
3	6100 584	4			ER0, EV0		BOLT AND CONED WASHER, Hex Head, M8x30x20, Upper
4	5208 8256	2					BUMPER, Jounce, Upper
5	52088 257AB	2					ISOLATOR, Front Suspension Spring, (Upper), Upper
6							SPRING, Front Coil
	5208 8262	1					ZKE,ZYE
	5208 8263	1					ZKF,ZYF
	5208 8264	1					ZKG,ZYG
	5208 8265	1					ZKH,ZYH
	5208 8267	1					ZLE,ZZE
	5208 8268	1					ZLF,ZZF
	5208 8269	1					ZK1,ZY1
	5208 9421	1					ZLG,ZZG
7	5208 8401	2					ISOLATOR, Front Suspension Spring, (Lower), Lower
8	6503 073	2					NUT, Nylock Hex, M10x1.5, Upper Shock Mounting
9	5208 8517	2					RETAINER, Shock Absorber
10	5208 8289	2					GROMMET, Shock Absorber
11							SHOCK ABSORBER PACKAGE, Suspension, Front
	5014 730AB	2					SDA-U,C,M
	5014 732AB	2					SDU-U,C,M
	5014 731AB	2					SDA-Export
	#5015 361AC	2					SDJ-Export

JEEP GRAND CHEROKEE (WJ)		BODY		ENGINE		TRANSMISSION	
SERIES	LINE	74 = 4 Door(105.9 WB)		ER0, ERH = 4.0L, Power Tech I-6		DGK = 4 Speed Autm, 42RE	
H=Laredo	J = 4WD			EV0, EVA = 4.7L, Power Tech V8		DGW = 4 Speed Automatic, -44RE	
P=Limited	T = 2WD			EXA, EX0 = 3.1L, 5 Cyl Turbo Diesel		DG4 = Multi Speed Automatic, -45RFE	
	U = 4WD (RHD)					DGO = All Automatic	

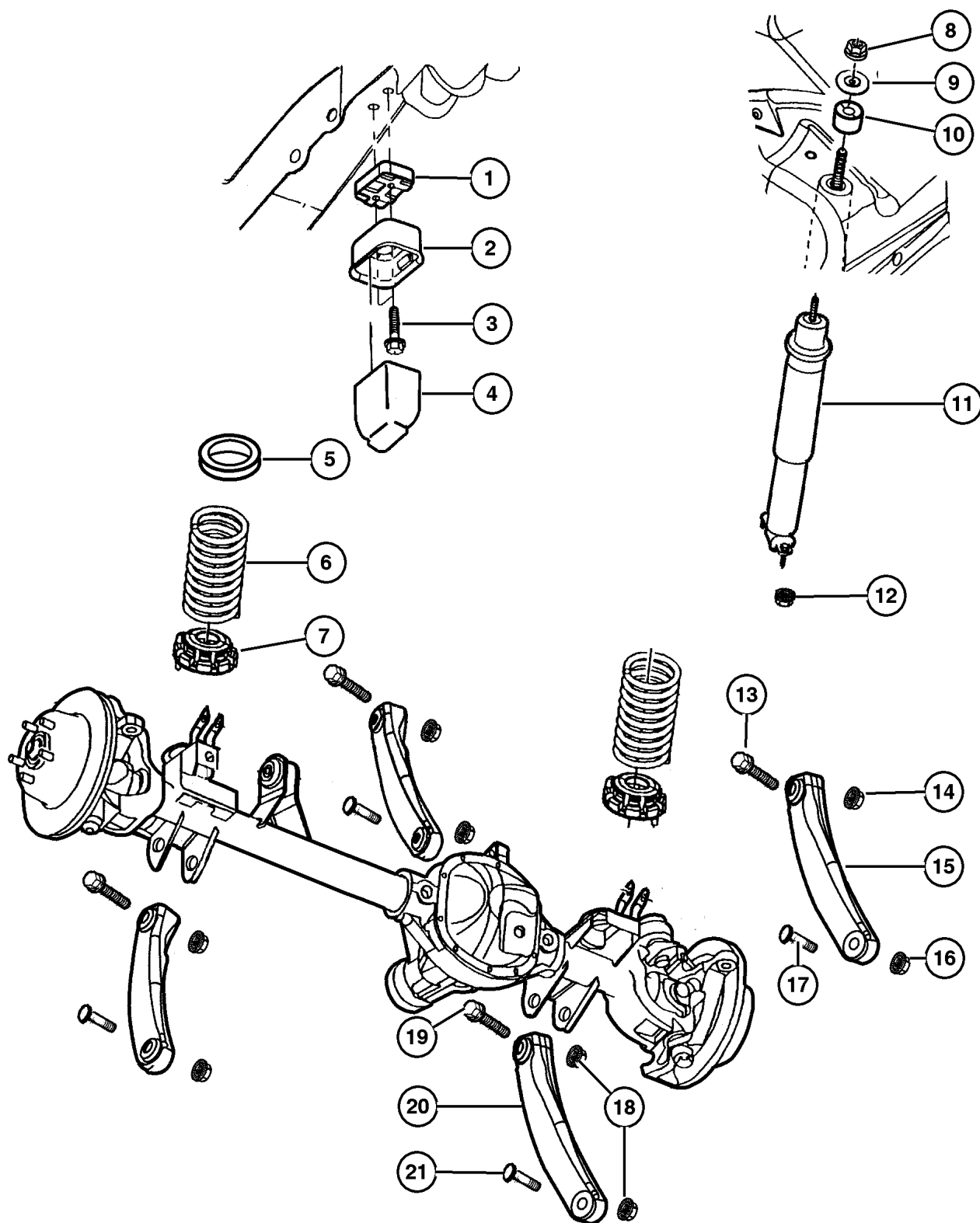
AR = Use as required - = Non illustrated part # = New this model year

April 3, 2002



Suspension, Front Springs with Control Arms and Shocks Figure 002-160

ITEM	PART NUMBER	QTY	LINE	BODY	ENGINE	TRANS	DESCRIPTION
	5014 175AA	2					SDU-Export
12	6101 695	4				DG0	NUT, Hex Flange Lock, M8x1.25, Lower Shock Mounting
13	6505 306AA	2					SCREW, Truss Head, M10x1.5x70, UCA to Axle Mounting
14	6502 696	2					NUT, Hex Flange Lock, M10x1.5, UCA to Axle Mounting
15	52088 208AC	2					ARM, Control, Upper
16	6505 438AA	2					NUT, Hex, M10-1.5, UCA to Sill Mounting
17	6505 472AA	2					SCREW, Hex Flange Head, M10x1.50x81, UCA to Sill Mounting
18	6502 698	4					NUT, LCA to Axle Mounting
19	6505 214AA	2					SCREW, Hex Flange Head, M14x2.00x114, LCA to Axle Mounting
20	52088 217AB	2					ARM, Control, Lower
21	6506 033AA	2					BOLT, Hex Flange Head, M14x2.0x105, Lower Control Arm to Sill Mounting



JEEP GRAND CHEROKEE (WJ)

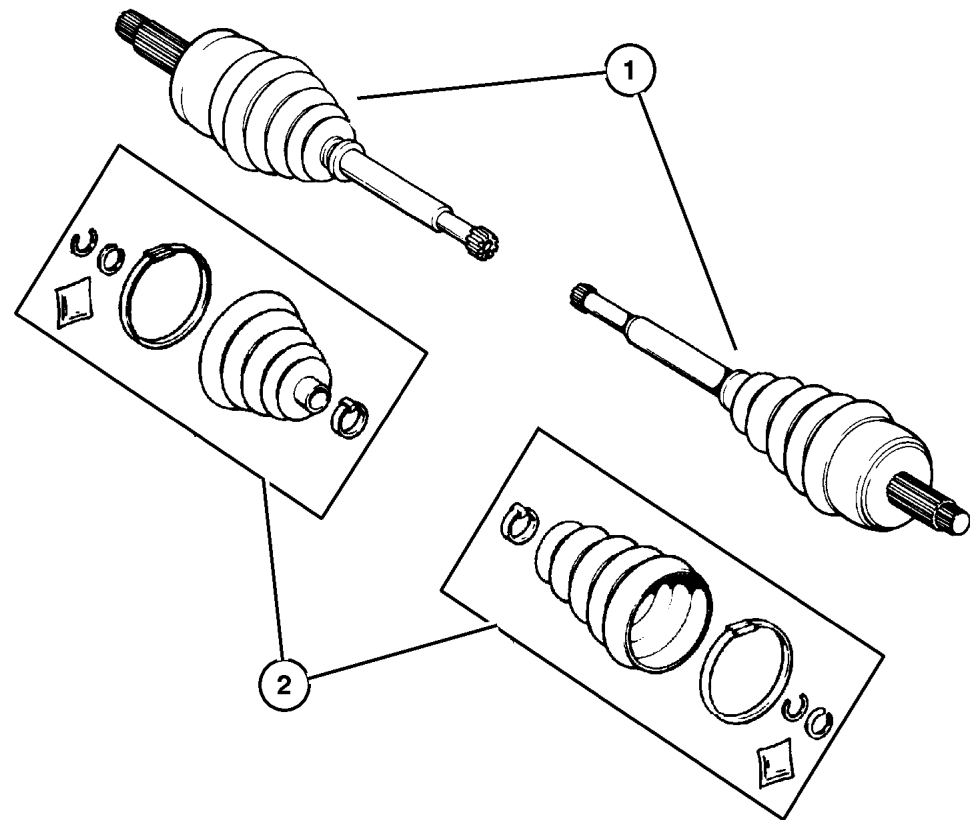
SERIES	LINE	BODY	ENGINE	TRANSMISSION
H=Laredo	J = 4WD	74 = 4 Door(105.9 WB)	ER0, ERH = 4.0L, Power Tech I-6	DGK = 4 Speed Autm, 42RE
P=Limited	T = 2WD		EV0, EVA = 4.7L, Power Tech V8	DGW = 4 Speed Automatic, -44RE
	U = 4WD (RHD)		EXA, EX0 = 3.1L, 5 Cyl Turbo Diesel	DG4 = Multi Speed Automatic, -45RFE
				DGO = All Automatic

AR = Use as required - = Non illustrated part # = New this model year

April 3, 2002

Front Axle Shafts
Figure 002-210

ITEM	PART NUMBER	QTY	LINE	BODY	ENGINE	TRANS	DESCRIPTION
NOTE:DSB=Vari-Lok Progressive Axle---J=Left Hand Drive---U=Right Hand Drive WD-Right Hand Drive---B=2 WD-Right Hand Drive							
1							SHAFT, Axle
	5012 456AA	1	J				-DSB, Right
	5012 457AA	1	J				-DSB, Left
	5012 748AA	1	J				+DSB, Right
	5012 749AA	1	J				+DSB, Left
	5012 456AA	1	U				-DSB, Right
	5012 457AA	1	U				-DSB, Left
	5012 748AA	1	U				+DSB, Right
	5012 749AA	1	U				+DSB, Left
2							BOOT KIT, Half Shaft
	4796 233	1	J				
		1	U				



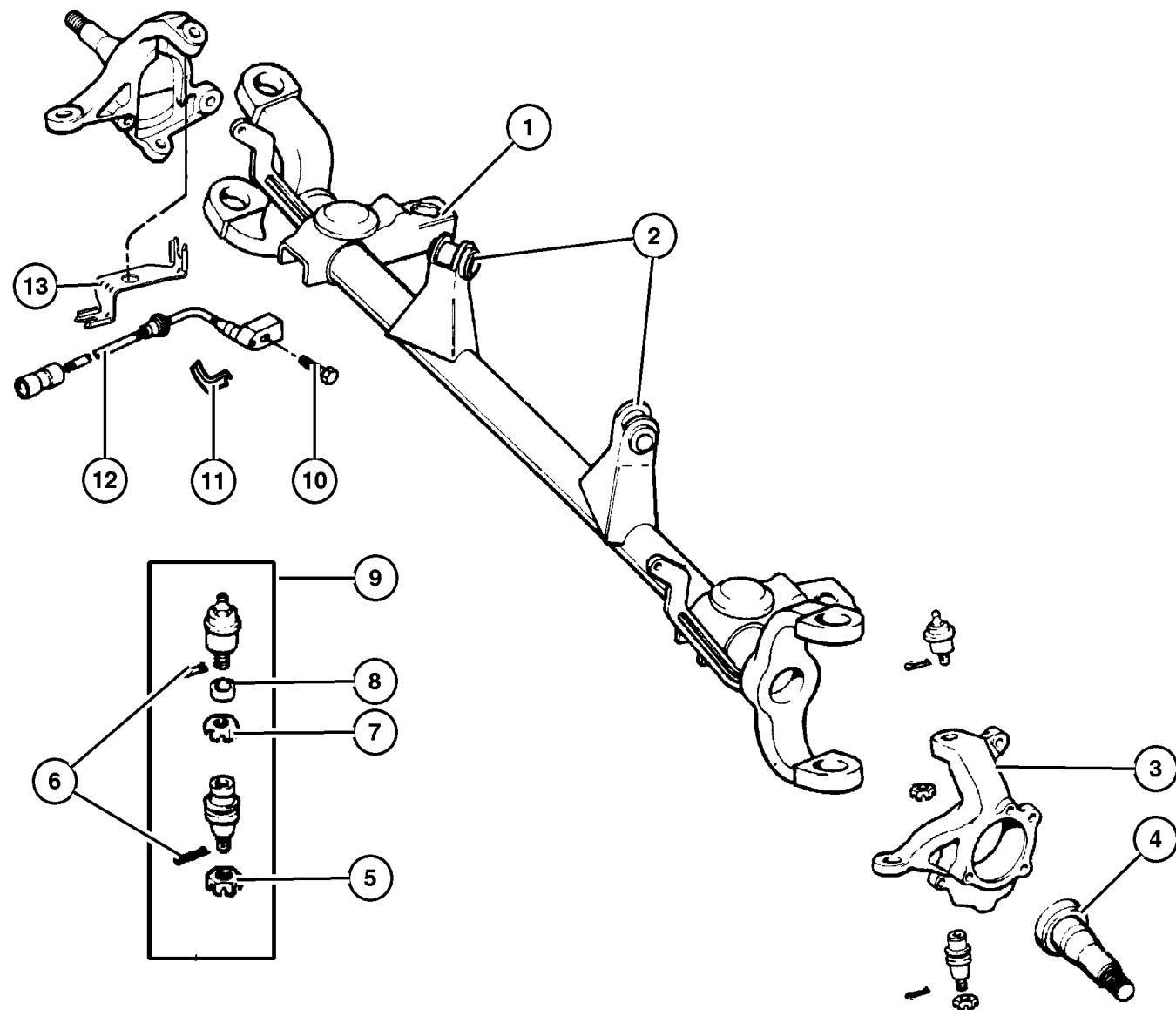
JEEP GRAND CHEROKEE (WJ)

SERIES	LINE	BODY	ENGINE	TRANSMISSION
H=Laredo	J = 4WD	74 = 4 Door(105.9 WB)	ER0, ERH = 4.0L, Power Tech I-6	DGK = 4 Speed Autm, 42RE
P=Limited	T = 2WD		EVO, EVA = 4.7L, Power Tech V8	DGW = 4 Speed Automatic, -44RE
	U = 4WD (RHD)		EXA, EX0 = 3.1L, 5 Cyl Turbo Diesel	DG4 = Multi Speed Automatic, -45RFE
				DGO = All Automatic

AR = Use as required - = Non illustrated part # = New this model year

April 3, 2002

Housing Front Axle 2 Wheel Drive Figure 002-310



ITEM	PART NUMBER	QTY	LINE	BODY	ENGINE	TRANS	DESCRIPTION
T=LHD-2 Wheel Drive WD-Right Hand Drive---B=2 WD-Right Hand Drive							
1	5012 433AA	1	T				HOUSING, Axle
2	5208 8214	2	T				BUSHING, Control Arm, Upper
3	5011 976AA	1	T				KNUCKLE, Front Right
	5011 977AA	1	T				Left
4	5012 438AA	2	T				SHAFT, Dummy, Includes ABS Tone Ring
5	J812 3318	2	T				NUT, Lower Ball Joint Mounting
6	1101 0069	2	T				PIN, Cotter, M4x40.00
7	J012 5258	2	T				NUT, Hex Slotted, Upper Ball Joint Mounting
8	8350 0203	1	T				RING, Ball Joint, Upper
9	5012 432AA	2	T				BALL JOINT KIT, Knuckle
10	5012 434AA	2	T				BOLT, Sensor Mounting
11	5014 324AA	1	T				BRACKET, Brake Sensor Wire Right
	5014 325AA	1	T				Left
12	56041 316AB	1	T				SENSOR, Wheel Speed Right
	56041 317AB	1	T				Left
13	5602 6766	1	T				BRACKET, Brake Sensor Right
	5602 6767	1	T				Left

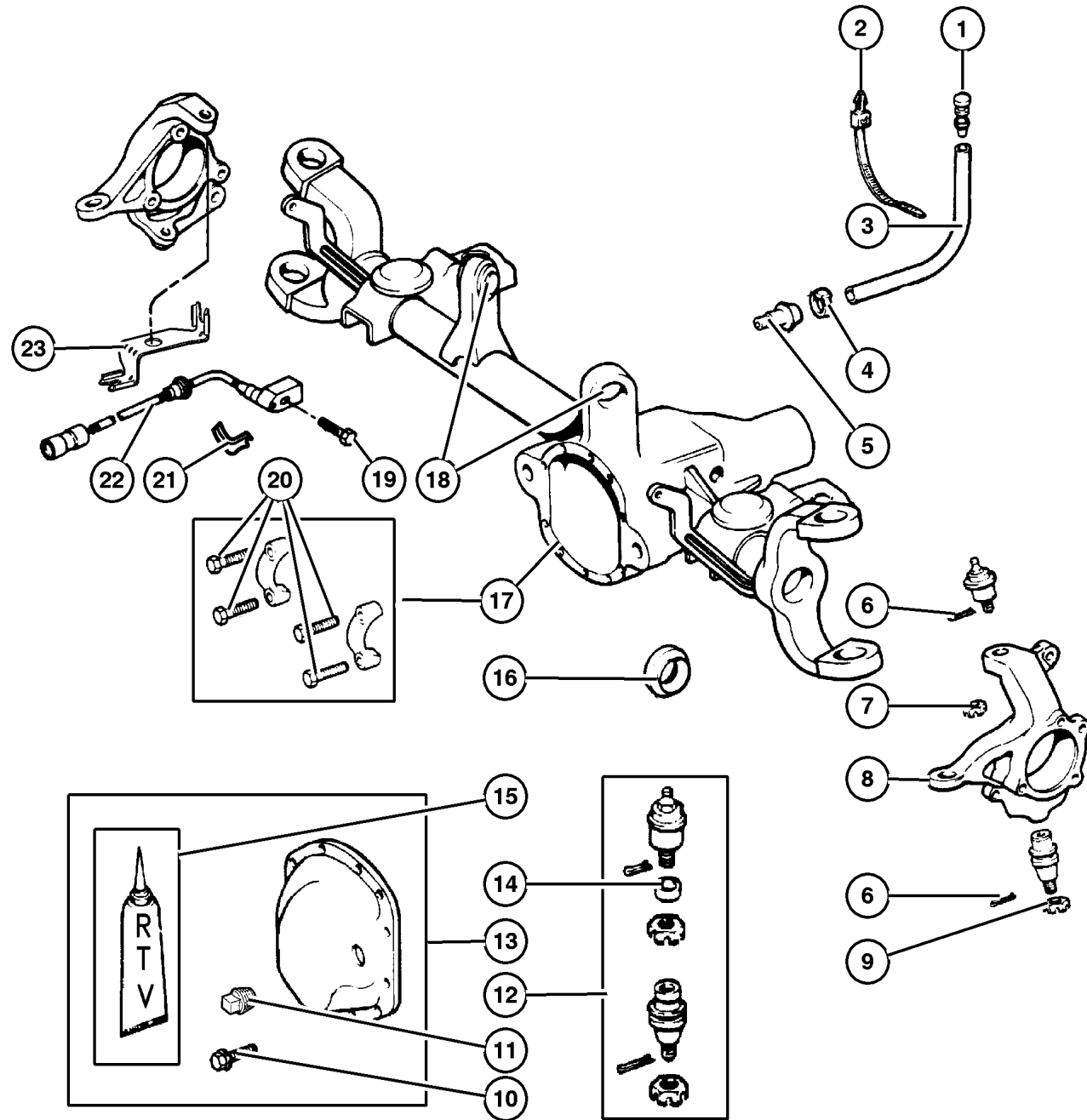
JEEP GRAND CHEROKEE (WJ)

SERIES	LINE	BODY	ENGINE	TRANSMISSION
H=Laredo	J = 4WD	74 = 4 Door(105.9 WB)	ER0, ERH = 4.0L, Power Tech I-6	DGK = 4 Speed Autm, 42RE
P=Limited	T = 2WD		EV0, EVA = 4.7L, Power Tech V8	DGW = 4 Speed Automatic, -44RE
	U = 4WD (RHD)		EXA, EX0 = 3.1L, 5 Cyl Turbo Diesel	DG4 = Multi Speed Automatic, -45RFE
				DGO = All Automatic

AR = Use as required - = Non illustrated part # = New this model year

April 3, 2002

Housing Front Axle 4 Wheel Drive Figure 002-320



ITEM	PART NUMBER	QTY	LINE	BODY	ENGINE	TRANS	DESCRIPTION
NOTE: J=Left Hand Drive-4 Wheel Drive---U=Right Hand Drive-4 Wheel Drive WD-Right Hand Drive---B=2 WD-Right Hand Drive							
1	52099 257AA	1	J, U				VENT, Axle, (Cap), Upper
2	J417 5376	1	J, U				STRAP, Tie
3	HFV0 0516	1	J, U				HOSE, Fuel And Vapor, 25 Foot Roll 5/16"
4	6503 573	1					CLIP, Lower
5							VENT, Axle
	5017 482AA	1	J				Lower
		1	U				Lower
6							PIN, Cotter, M4x40.00
	1101 0069	2	J				Upper And Lower
		2	U				Upper And Lower
7							NUT, Hex Slotted
	J012 5258	1	J				Upper Ball Joint Mounting
		1	U				Upper Ball Joint Mounting
8							KNUCKLE, Front
	5011 976AA	1	J				Right
	5011 977AA	1	J				Left
	5012 516AA	1	U				Right
	5012 517AA	1	U				Left
9							NUT
	J812 3318	1	J				Lower Ball Joint Mounting
		1	U				Lower Ball Joint Mounting
10							BOLT, Differential Cover
	2954 031	10	J				
		10	U				
11							PLUG, Differential Cover
	J400 4751	1	J				
		1	U				
12							BALL JOINT KIT, Knuckle
	5012 432AA	2	J				
		2	U				
13							COVER, Differential
	5012 451AA	1	J				Consist 1-Cover,10 Cover Screws
		1	U				Consist 1-Cover,10 Cover Screws
14							RING, Ball Joint
	8350 0203	1	J				Upper
		1	U				Upper
15	5010 884AA	1					SEALANT, RTV
16							SEAL, Axle Drive Shaft
	4874 477	2	J				
		2	U				
17							HOUSING, Axle

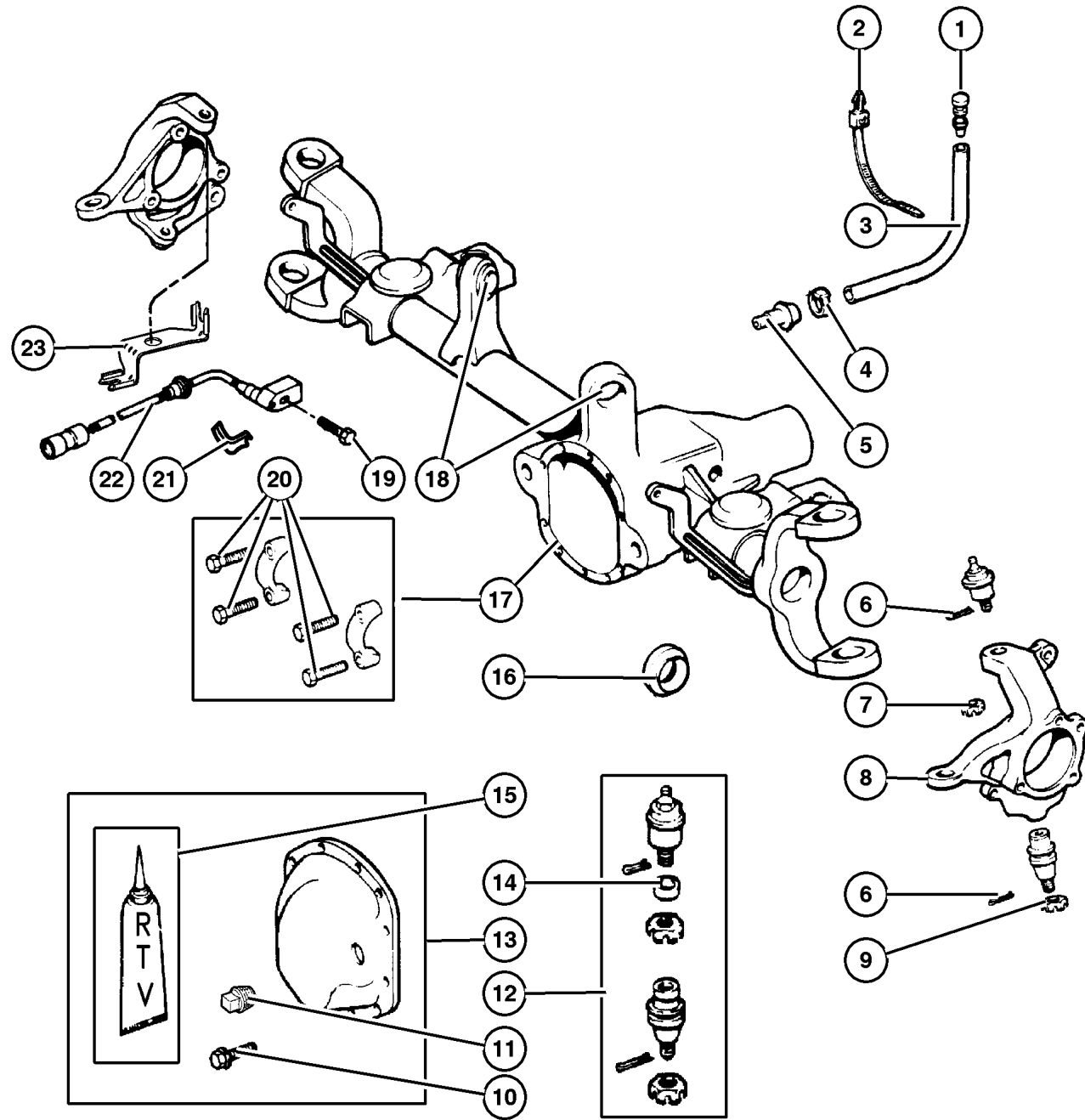
JEEP GRAND CHEROKEE (WJ)

SERIES	LINE	BODY	ENGINE	TRANSMISSION
H=Laredo	J = 4WD	74 = 4 Door(105.9 WB)	ER0, ERH = 4.0L, Power Tech I-6	DGK = 4 Speed Autm, 42RE
P=Limited	T = 2WD		EVO, EVA = 4.7L, Power Tech V8	DGW = 4 Speed Automatic, -44RE
	U = 4WD (RHD)		EXA, EX0 = 3.1L, 5 Cyl Turbo Diesel	DG4 = Multi Speed Automatic, -45RFE
				DGO = All Automatic

AR = Use as required - = Non illustrated part # = New this model year

April 3, 2002

Housing Front Axle 4 Wheel Drive Figure 002-320



ITEM	PART NUMBER	QTY	LINE	BODY	ENGINE	TRANS	DESCRIPTION
	5012 445AA	1	J				
	5012 512AA	1	U				
18	5208 8214	2					BUSHING, Control Arm, Upper
19							BOLT
	5012 434AA	2	J				Sensor Mounting
		2	U				Sensor Mounting
20	4897 482AB	4					BOLT, Differential, Side Bearing Cap Mounting
21							BRACKET, Brake Sensor Wire
	5014 324AA	1	J				Right
	5014 325AA	1	J				Left
	5014 324AA	1	U				Right
	5014 325AA	1	U				Left
22							SENSOR, Wheel Speed
	56041 316AB	1	J				Right
	56041 317AB	1	J				Left
	56041 316AB	1	U				Right
	56041 317AB	1	U				Left
23							BRACKET, Brake Sensor
	5602 6766	1	J				Right
	5602 6767	1	J				Left
	5602 6766	1	U				Right
	5602 6767	1	U				Left

JEEP GRAND CHEROKEE (WJ)

SERIES	LINE	BODY	ENGINE	TRANSMISSION
H=Laredo	J = 4WD	74 = 4 Door(105.9 WB)	ER0, ERH = 4.0L, Power Tech I-6	DGK = 4 Speed Autm, 42RE
P=Limited	T = 2WD		EVO, EVA = 4.7L, Power Tech V8	DGW = 4 Speed Automatic, -44RE
	U = 4WD (RHD)		EXA, EX0 = 3.1L, 5 Cyl Turbo Diesel	DG4 = Multi Speed Automatic, -45RFE
				DGO = All Automatic

AR = Use as required - = Non illustrated part # = New this model year

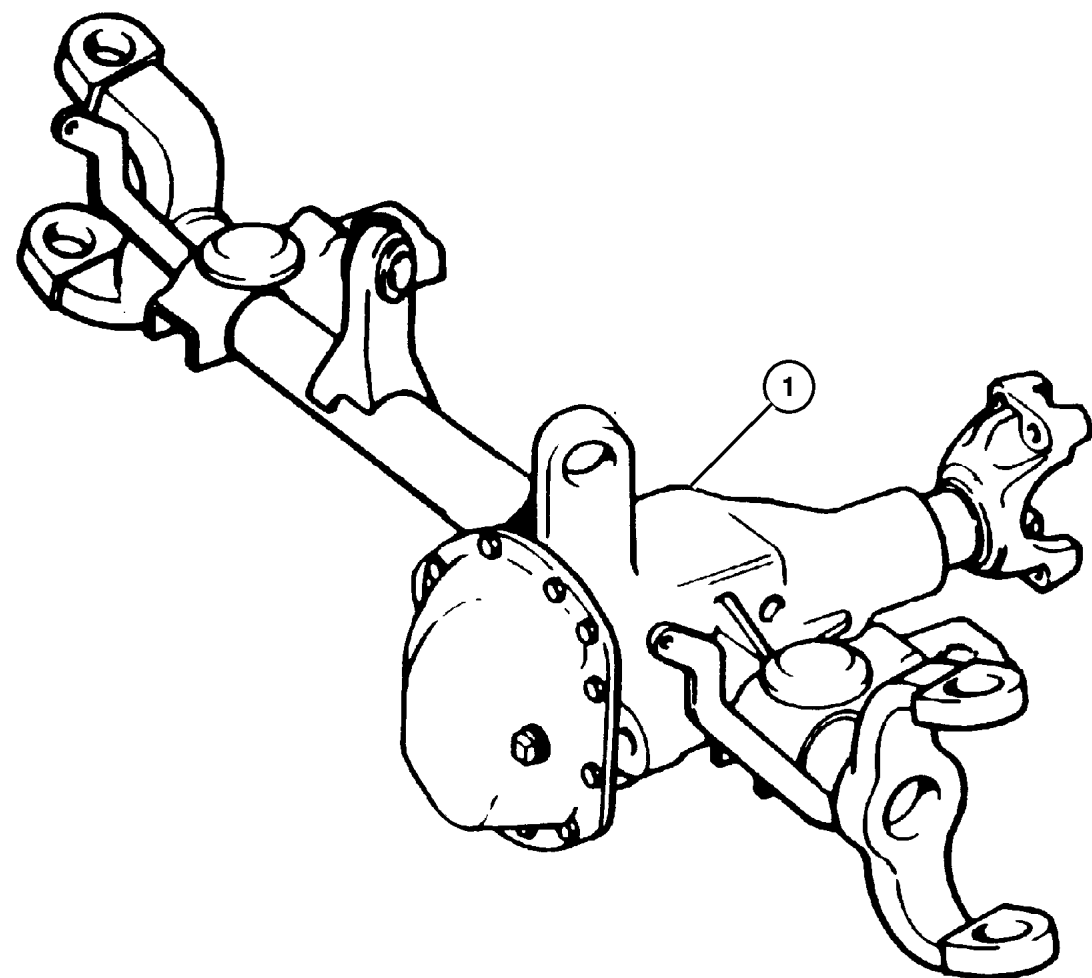
April 3, 2002

**Front Axle Assembly
Figure 002-410**

ITEM	PART NUMBER	QTY	LINE	BODY	ENGINE	TRANS	DESCRIPTION
------	-------------	-----	------	------	--------	-------	-------------

NOTE: J=Left Hand Drive---U=Right Hand Drive---DSB=Vari-Lok Progressive Axle WD-Right Hand Drive---B=2 WD-Right Hand

1							AXLE, Service Front
	5014 404AA	1	J				3.91 Ratio+DSB
	5014 403AA	1	J				3.91 Ratio-DSB
	5012 520AA	1	J				3.73 Ratio+DSB
	5012 446AA	1	J				3.73 Ratio-DSB
	5012 480AA	1	J				3.55 Ratio-DSB
	5012 774AA	1	U				3.73 Ratio+DSB
	5012 513AA	1	U				3.73 Ratio-DSB
	#5016 423AA	1	U				3.91 Ratio-DSB
	#5016 425AA	1	U				3.91 Ratio+DSB



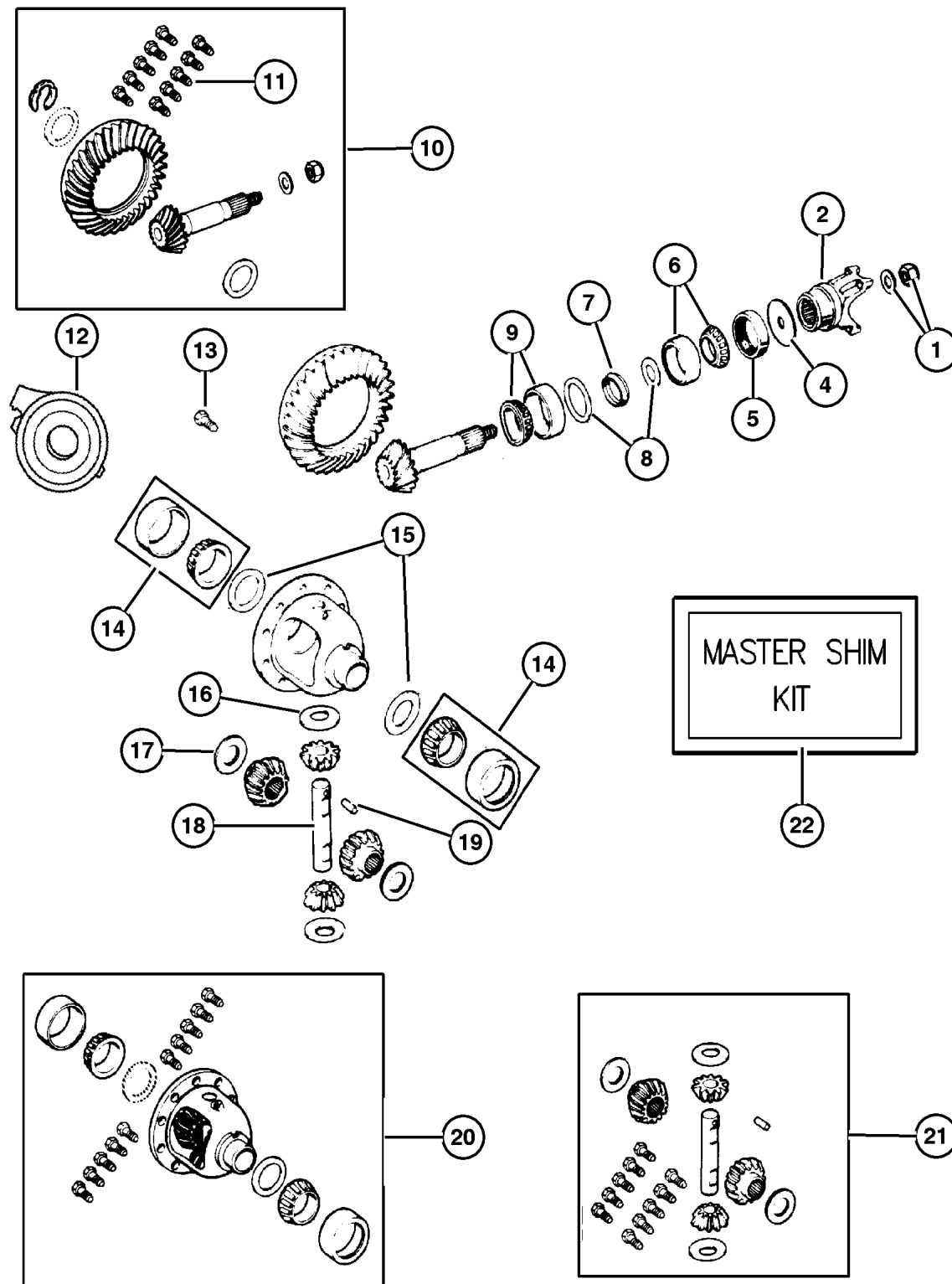
JEEP GRAND CHEROKEE (WJ)

SERIES	LINE	BODY	ENGINE	TRANSMISSION
H=Laredo	J = 4WD	74 = 4 Door(105.9 WB)	ER0, ERH = 4.0L, Power Tech I-6	DGK = 4 Speed Autm, 42RE
P=Limited	T = 2WD		EVO, EVA = 4.7L, Power Tech V8	DGW = 4 Speed Automatic, -44RE
	U = 4WD (RHD)		EXA, EX0 = 3.1L, 5 Cyl Turbo Diesel	DG4 = Multi Speed Automatic, -45RFE
				DGO = All Automatic

AR = Use as required - = Non illustrated part # = New this model year

April 3, 2002

Differential, Front Axle Figure 002-610



ITEM	PART NUMBER	QTY	LINE	BODY	ENGINE	TRANS	DESCRIPTION
NOTE: J=Left Hand Drive---U=Right Hand Drive WD-Right Hand Drive---B=2 WD-Right Hand Drive							
1	5017 755AA	1	J				NUT, Pinion Yoke
		1	U				
2	5012 444AA	1	J				YOKE, Axle
		1	U				
-3	5012 453AA	1	J				O RING, Pinion Flange Fits Over Hub of Axle Yoke
		1	U				Fits Over Hub of Axle Yoke
4	4031 974	1	J				SLINGER, Drive Pinion
		1	U				
5	5012 454AB	1	J				SEAL, Drive Pinion
		1	U				
6	5252 508	1	J				BEARING, Drive Pinion Bearing and Cup, Front
		1	U				Bearing and Cup, Front
7	4864 845	1	J				SPACER Crush
		1	U				Crush
8	5017 139AA	1	J				SHIM, Drive Pinion Bearing, Replacement Individual PINION Shims for Master Shim Kit 5017134AA. [.052"]
		1	U				[.052"]
	5017 140AA	1	J				[.053"]
		1	U				[.053"]
	5017 141AA	1	J				[.054"]
		1	U				[.054"]
	5017 142AA	1	J				[.055"]
		1	U				[.055"]
	5017 143AA	1	J				[.056"]
		1	U				[.056"]
	5017 144AA	1	J				[.057"]
		1	U				[.057"]
	5017 145AA	1	J				[.058"]
		1	U				[.058"]
	5017 146AA	1	J				[.059"]
		1	U				[.059"]
	5017 149AA	1	J				[.060"]
		1	U				[.060"]

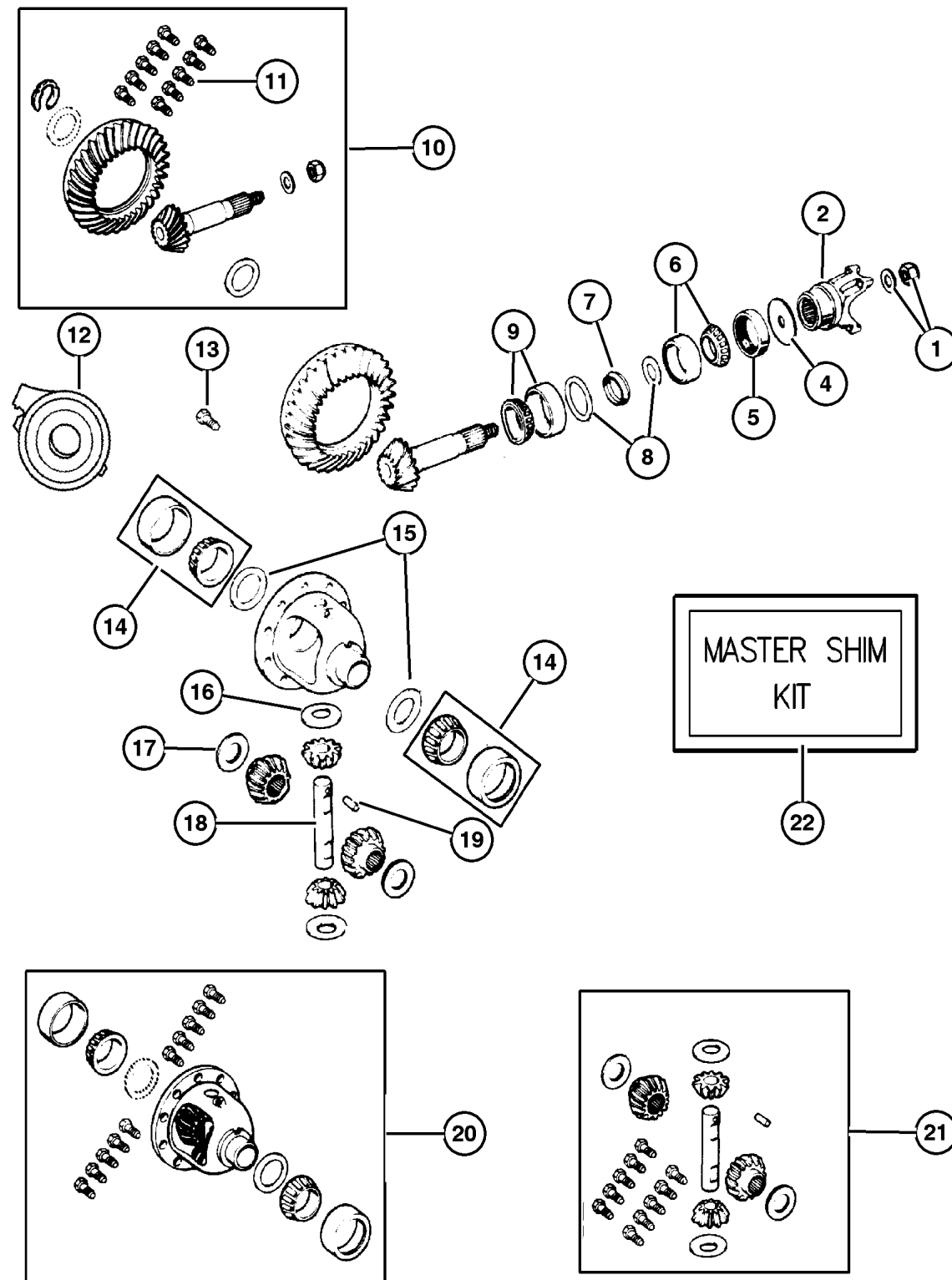
JEEP GRAND CHEROKEE (WJ)

SERIES	LINE	BODY	ENGINE	TRANSMISSION
H=Laredo	J = 4WD	74 = 4 Door(105.9 WB)	ER0, ERH = 4.0L, Power Tech I-6	DGK = 4 Speed Autm, 42RE
P=Limited	T = 2WD		EVO, EVA = 4.7L, Power Tech V8	DGW = 4 Speed Automatic, -44RE
	U = 4WD (RHD)		EXA, EX0 = 3.1L, 5 Cyl Turbo Diesel	DG4 = Multi Speed Automatic, -45RFE
				DGO = All Automatic

AR = Use as required - = Non illustrated part # = New this model year

April 3, 2002

Differential, Front Axle Figure 002-610



ITEM	PART NUMBER	QTY	LINE	BODY	ENGINE	TRANS	DESCRIPTION
	5017 150AA	1	J				[.061']
		1	U				[.061']
	5017 151AA	1	J				[.062']
		1	U				[.062']
	5017 152AA	1	J				[.063']
		1	U				[.063']
	5017 153AA	1	J				[.064']
		1	U				[.064']
	5017 154AA	1	J				[.065']
		1	U				[.065']
	5017 155AA	1	J				[.066']
		1	U				[.066']
	5017 156AA	1	J				[.067']
		1	U				[.067']
9							BEARING, Drive Pinion
	J812 6499	1	J				Bearing and Cup, Rear
		1	U				Bearing and Cup, Rear
10							GEAR KIT, Ring And Pinion
	5012 476AA	1	J				3.55 Ratio
	5012 447AA	1	J				3.73 Ratio
	5014 402AA	1	J				3.91 Ratio
	5012 447AA	1	U				3.73 Ratio
	5014 402AA	1	U				3.91 Ratio
11	4720 891	1					BOLT KIT, Consists of 10-5252503 Screws
12							PLENUM, Differential
	5012 725AA	1	J				
		1	U				
13							SCREW, Drive Gear
	5252 503	10	J				Ring Gear Mounting
		10	U				Ring Gear Mounting
14							BEARING, Differential
	J812 6500	1	J				Consists of 2 Bearings and 2 Cups
		1	U				Consists of 2 Bearings and 2 Cups
15							SHIM, Differential Bearing, Replacement Individual DIFFERENTIAL Shims for Master Kit 5017134AA
	5017 218AA	1	J				[.109']
		1	U				[.109']
	5017 219AA	1	J				[.110']
		1	U				[.110']
	5017 220AA	1	J				[.111']
		1	U				[.111']
	5017 221AA	1	J				[.112']

JEEP GRAND CHEROKEE (WJ)

SERIES
H=Laredo
P=Limited

LINE
J = 4WD
T = 2WD
U = 4WD (RHD)

BODY
74 = 4 Door(105.9 WB)

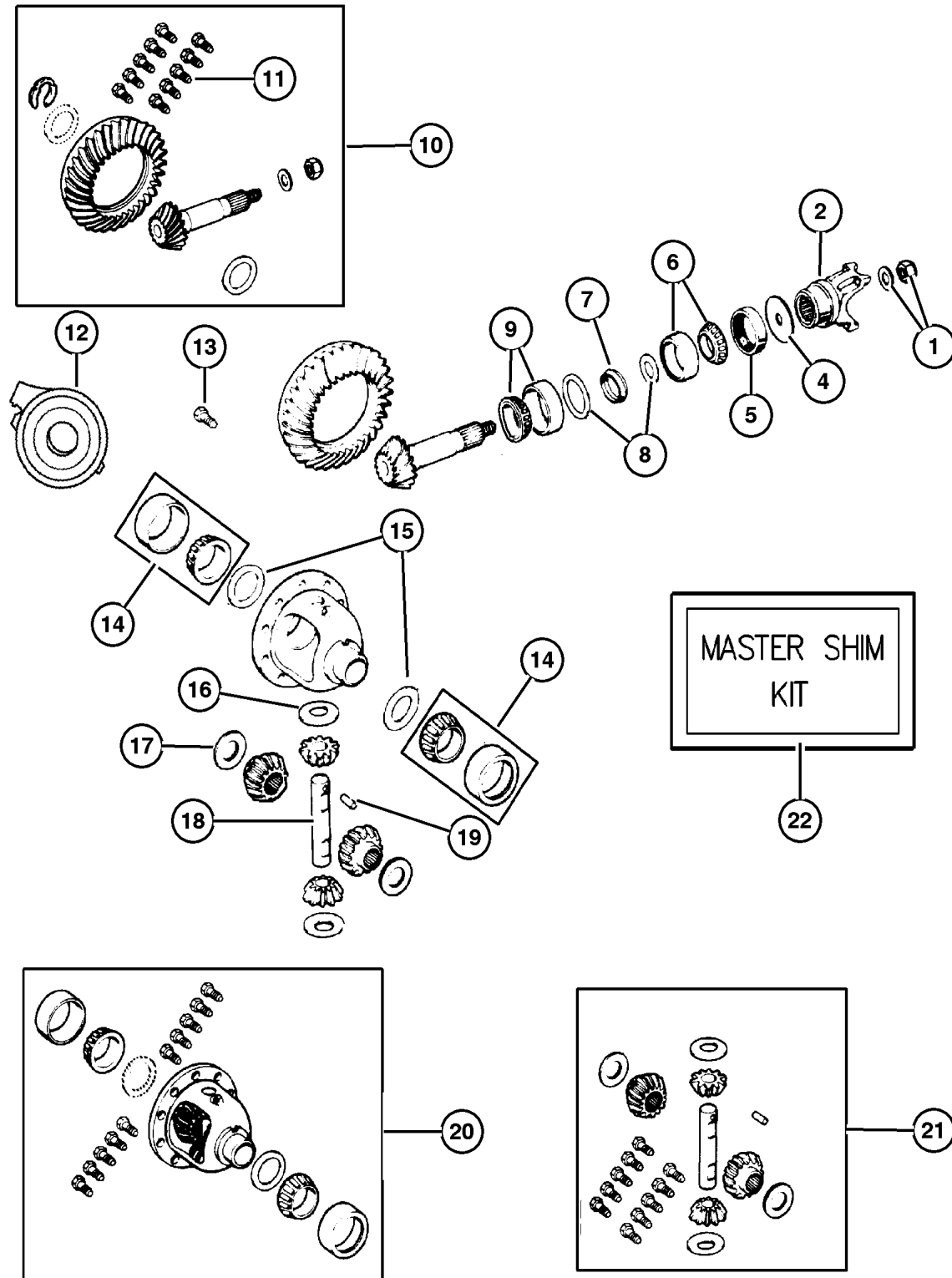
ENGINE
ER0, ERH = 4.0L, Power Tech I-6
EV0, EVA = 4.7L, Power Tech V8
EXA, EX0 = 3.1L, 5 Cyl Turbo Diesel

TRANSMISSION
DGK = 4 Speed Autm, 42RE
DGW = 4 Speed Automatic,
-44RE
DG4 = Multi Speed Automatic,
-45RFE
DGO = All Automatic

AR = Use as required - = Non illustrated part # = New this model year

April 3, 2002

Differential, Front Axle Figure 002-610



ITEM	PART NUMBER	QTY	LINE	BODY	ENGINE	TRANS	DESCRIPTION
		1	U				[.112']
	5017 222AA	1	J				[.113']
		1	U				[.113']
	5017 223AA	1	J				[.114']
		1	U				[.114']
	5017 224AA	1	J				[.115']
		1	U				[.115']
	5017 225AA	1	J				[.116']
		1	U				[.116']
	5017 226AA	1	J				[.117']
		1	U				[.117']
	5017 227AA	1	J				[.118']
		1	U				[.118']
	5017 228AA	1	J				[.119']
		1	U				[.119']
	5017 229AA	1	J				[.120']
		1	U				[.120']
	5017 230AA	1	J				[.121']
		1	U				[.121']
	5017 231AA	1	J				[.122']
		1	U				[.122']
	5017 232AA	1	J				[.123']
		1	U				[.123']
	5017 233AA	1	J				[.124']
		1	U				[.124']
	5017 234AA	1	J				[.125']
		1	U				[.125']
	5017 235AA	1	J				[.126']
		1	U				[.126']
	5017 236AA	1	J				[.127']
		1	U				[.127']
	5017 237AA	1	J				[.128']
		1	U				[.128']
	5017 238AA	1	J				[.129']
		1	U				[.129']
	5017 239AA	1	J				[.130']
		1	U				[.130']
	5017 240AA	1	J				[.131']
		1	U				[.131']
	5017 241AA	1	J				[.132']
		1	U				[.132']
	5017 242AA	1	J				[.133']

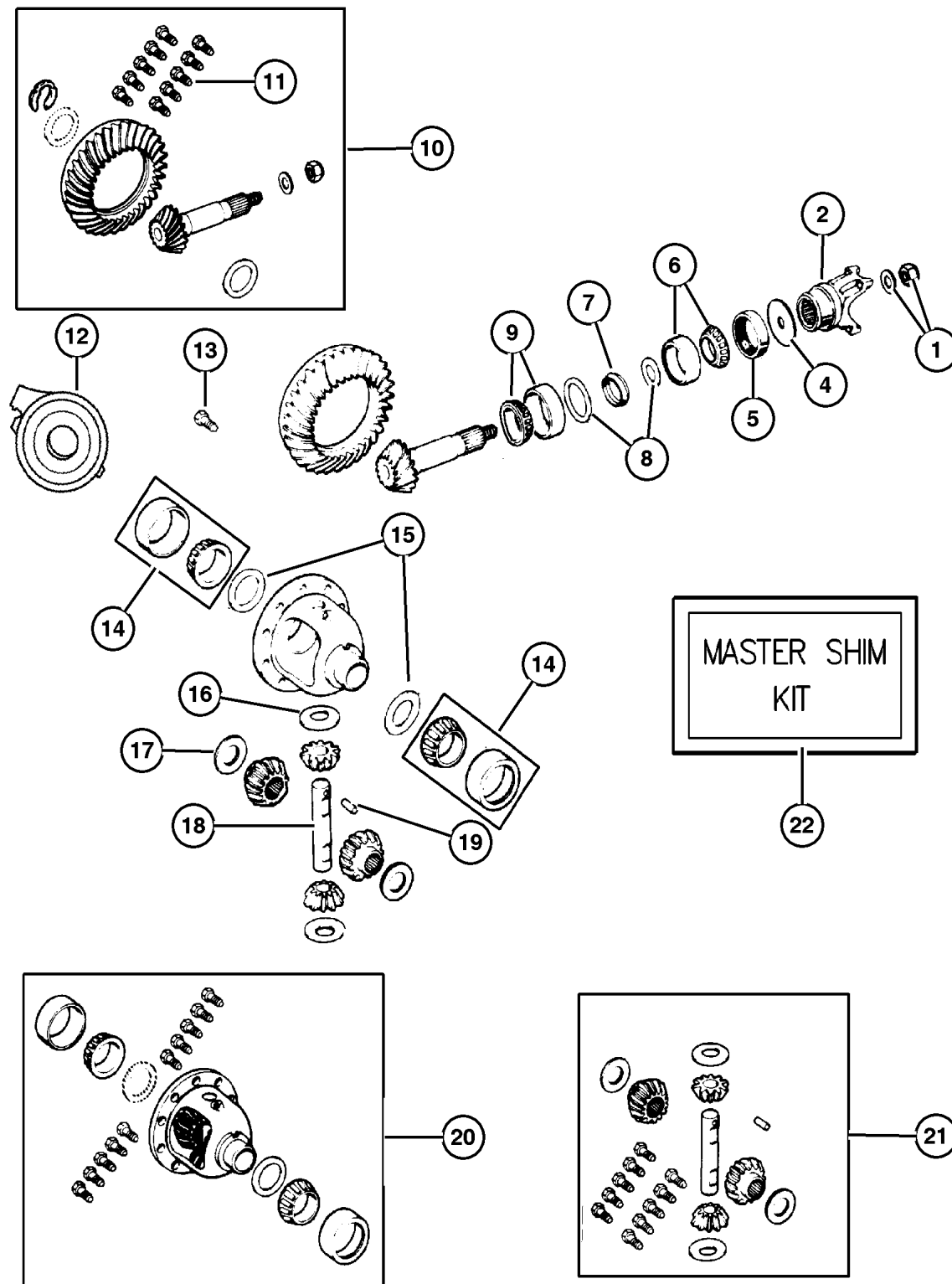
JEEP GRAND CHEROKEE (WJ)

SERIES	LINE	BODY	ENGINE	TRANSMISSION
H=Laredo	J = 4WD	74 = 4 Door(105.9 WB)	ER0, ERH = 4.0L, Power Tech I-6	DGK = 4 Speed Autm, 42RE
P=Limited	T = 2WD		EVO, EVA = 4.7L, Power Tech V8	DGW = 4 Speed Automatic, -44RE
	U = 4WD (RHD)		EXA, EX0 = 3.1L, 5 Cyl Turbo Diesel	DG4 = Multi Speed Automatic, -45RFE
				DGO = All Automatic

AR = Use as required - = Non illustrated part # = New this model year

April 3, 2002

Differential, Front Axle Figure 002-610



ITEM	PART NUMBER	QTY	LINE	BODY	ENGINE	TRANS	DESCRIPTION
		1	U				[.133']
	5017 243AA	1	J				[.134']
		1	U				[.134']
	5017 244AA	1	J				[.135']
		1	U				[.135']
	5017 245AA	1	J				[.136']
		1	U				[.136']
	5017 246AA	1	J				[.137']
		1	U				[.137']
	5017 247AA	1	J				[.138']
		1	U				[.138']
	5017 248AA	1	J				[.139']
		1	U				[.139']
	5017 249AA	1	J				[.140']
		1	U				[.140']
	5017 250AA	1	J				[.141']
		1	U				[.141']
	5017 251AA	1	J				[.142']
		1	U				[.142']
	5017 252AA	1	J				[.143']
		1	U				[.143']
	5017 253AA	1	J				[.144']
		1	U				[.144']
	5017 254AA	1	J				[.145']
		1	U				[.145']
	5017 255AA	1	J				[.146']
		1	U				[.146']
	5017 256AA	1	J				[.147']
		1	U				[.147']
	5017 257AA	1	J				[.148']
		1	U				[.148']
16							WASHER, Flat
	J812 0831	2	J				Pinion Gear Thrust-Without DSB
		2	U				Pinion Gear Thrust-Without DSB
17							WASHER, Flat
	J813 3724	2	J				Side Gear Thrust-Without DSB
		2	U				Side Gear Thrust-Without DSB
18							SHAFT, Differential
	5003 840AA	1	J				Without DSB
		1	U				Without DSB
19							PIN, Differential Shaft
	1791 563	1	J				Without DSB

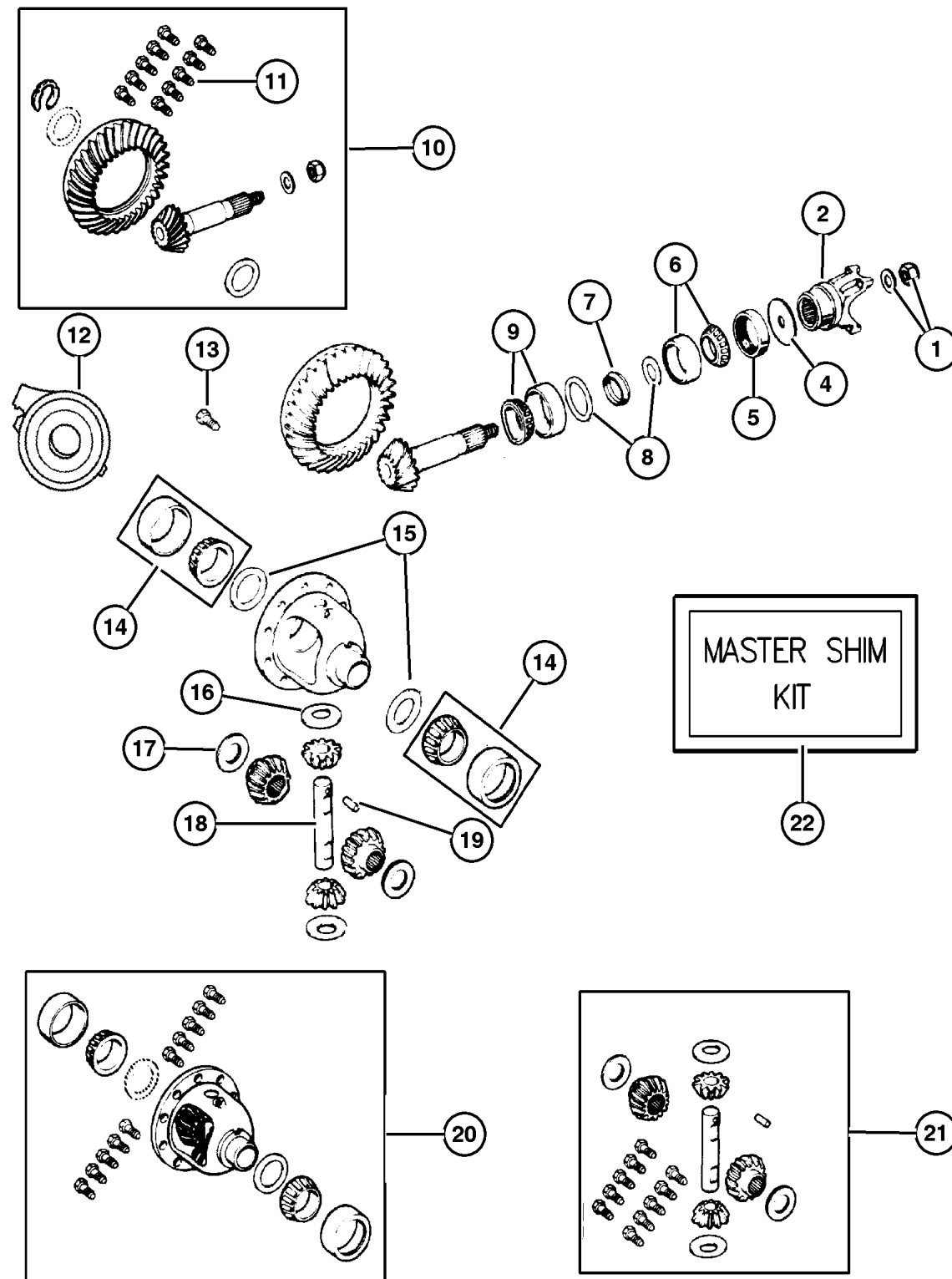
JEEP GRAND CHEROKEE (WJ)

SERIES	LINE	BODY	ENGINE	TRANSMISSION
H=Laredo	J = 4WD	74 = 4 Door(105.9 WB)	ER0, ERH = 4.0L, Power Tech I-6	DGK = 4 Speed Autm, 42RE
P=Limited	T = 2WD		EVO, EVA = 4.7L, Power Tech V8	DGW = 4 Speed Automatic, -44RE
	U = 4WD (RHD)		EXA, EX0 = 3.1L, 5 Cyl Turbo Diesel	DG4 = Multi Speed Automatic, -45RFE
				DGO = All Automatic

AR = Use as required - = Non illustrated part # = New this model year

April 3, 2002

Differential, Front Axle Figure 002-610



ITEM	PART NUMBER	QTY	LINE	BODY	ENGINE	TRANS	DESCRIPTION
		1	U				Without DSB
20							CASE, Differential
	5012 477AA	1	J				3.55 Ratio Without DSB without Carrier Bearings
	5252 590	1	J				3.73,3.91 Ratios Without DSB with Carrier Bearings
	5012 519AA	1	J				3.73,3.91 Ratios With DSB
	5252 590	1	U				3.73,3.91 Ratios Without DSB with Carrier Bearings
	5012 519AA	1	U				3.73,3.91 Ratios With DSB
21							GEAR KIT, Center Differential
	5252 591	1	J				Without DSB
		1	U				Without DSB
22							SHIM KIT, Differential, Master Shim Kit for the
							Complete Differential including All PINION Shims and all DIFFERENTIAL Shims.
	5017 134AA	1	J				Master Shim Kit, Pinion and Differential-Contains 25 Pinion Shims in .001' increments from .048' to .072' and 45 Differential Case Shims from .109' to .153'.The Kit comes in a plastic box.
		1	U				Master Shim Kit, Pinion and Differential-Contains 25 Pinion Shims in .001' increments from .048' to .072' and 45 Differential Case Shims from .109' to .153'.The Kit comes in a plastic box.

JEEP GRAND CHEROKEE (WJ)

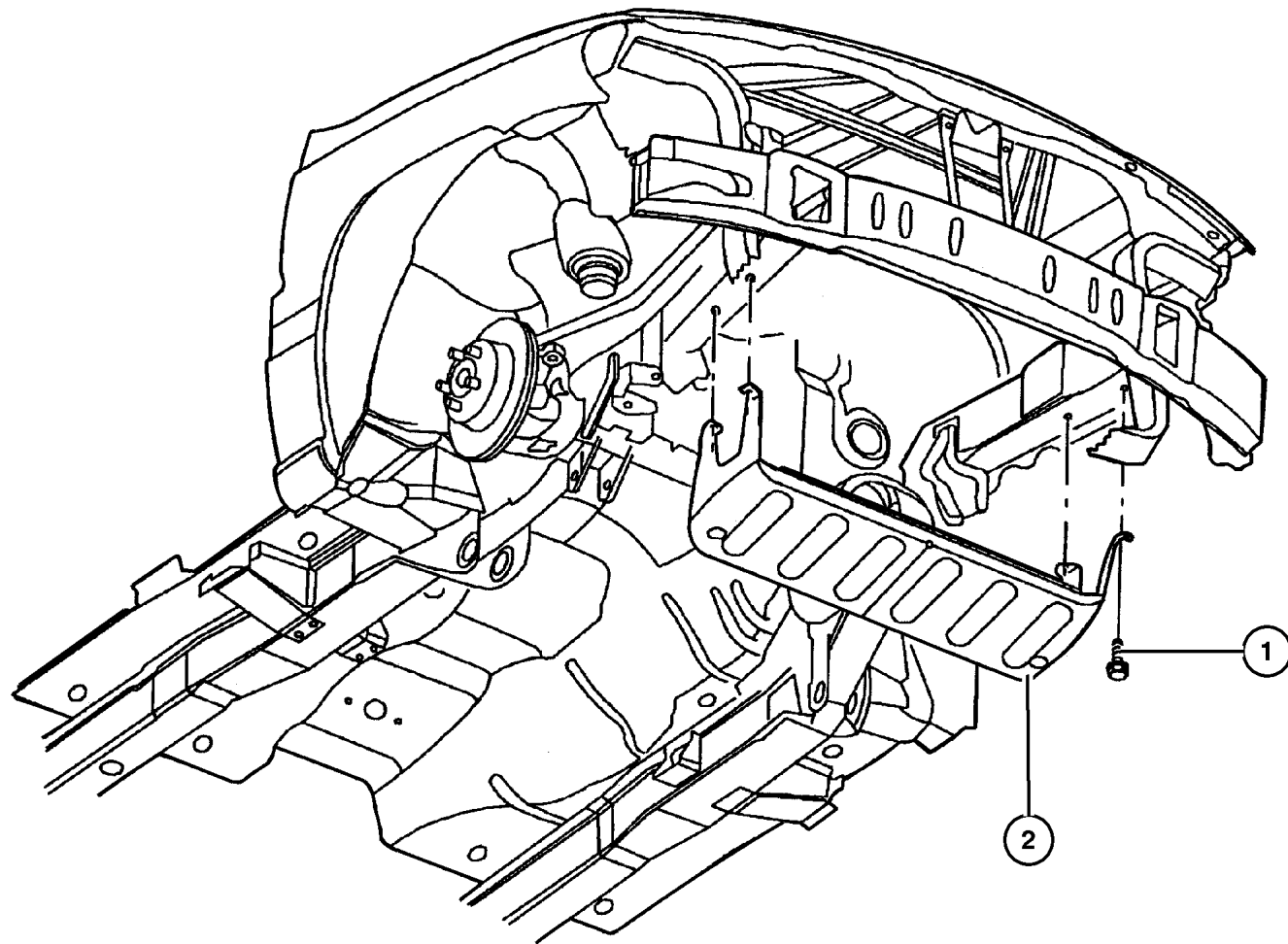
SERIES	LINE	BODY	ENGINE	TRANSMISSION
H=Laredo	J = 4WD	74 = 4 Door(105.9 WB)	ER0, ERH = 4.0L, Power Tech I-6	DGK = 4 Speed Autm, 42RE
P=Limited	T = 2WD		EV0, EVA = 4.7L, Power Tech V8	DGW = 4 Speed Automatic, -44RE
	U = 4WD (RHD)		EXA, EX0 = 3.1L, 5 Cyl Turbo Diesel	DG4 = Multi Speed Automatic, -45RFE
				DGO = All Automatic

AR = Use as required - = Non illustrated part # = New this model year

April 3, 2002

**Skid Plate, Front Axle
Figure 002-810**

ITEM	PART NUMBER	QTY	LINE	BODY	ENGINE	TRANS	DESCRIPTION
NOTES:ERO =4.0L 6Cyl Gas Engine--- EVO =4.7L Engine Gas Engine---E XO =3.0/3.1L Turbo Diesel Engine---J=Left Hand Drive---U=Right Hand Drive WD-Right Hand Drive---B=2 WD-Right Hand Drive							
1	6505 961AA	4	J, U				SCREW AND WASHER, Hex Head, M10x1.5x40
2	5205 8923	1	J, U		ERO, EVO		SKID PLATE, Front
	52059 165AA	1	J, U		EX0		



JEEP GRAND CHEROKEE (WJ)				
SERIES	LINE	BODY	ENGINE	TRANSMISSION
H=Laredo	J = 4WD	74 = 4 Door(105.9 WB)	ERO, ERH = 4.0L, Power Tech I-6	DGK = 4 Speed Autm, 42RE
P=Limited	T = 2WD		EVO, EVA = 4.7L, Power Tech V8	DGW = 4 Speed Automatic, -44RE
	U = 4WD (RHD)		EXA, EX0 = 3.1L, 5 Cyl Turbo Diesel	DG4 = Multi Speed Automatic, -45RFE
				DGO = All Automatic

AR = Use as required - = Non illustrated part # = New this model year

April 3, 2002

Group – 003

Rear Axle

GROUP 3 - Rear Axle

Illustration Title

Group-Fig. No.

Rear Axle

Axle Assembly Rear Fig. 003-130

Differential and Housing

Housing, Rear Axle Dana Model 35 Fig. 003-250

Housing, Rear Axle Dana Model 44 Fig. 003-255

Differential, Without Trac-Lok- Dana Model 35 Fig. 003-260

Differential, With Trac-Lok- Dana Model 35 Fig. 003-265

Differential, Without Trac-Lok- Dana Model 44 Fig. 003-270

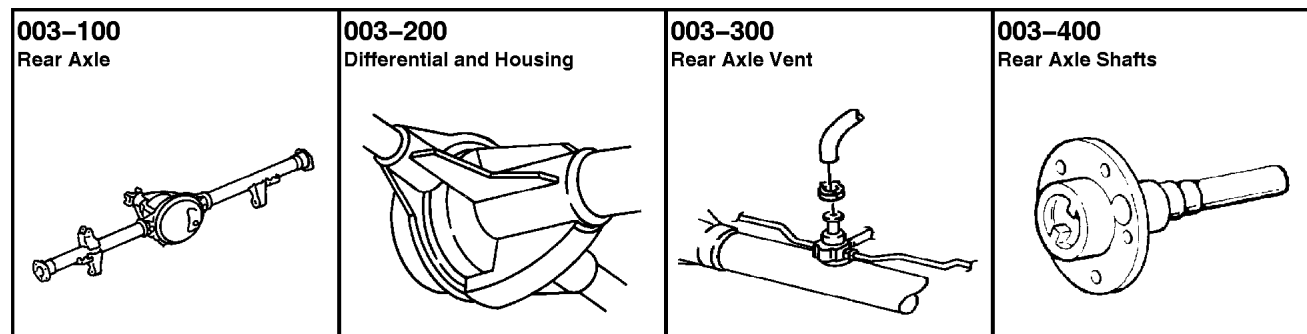
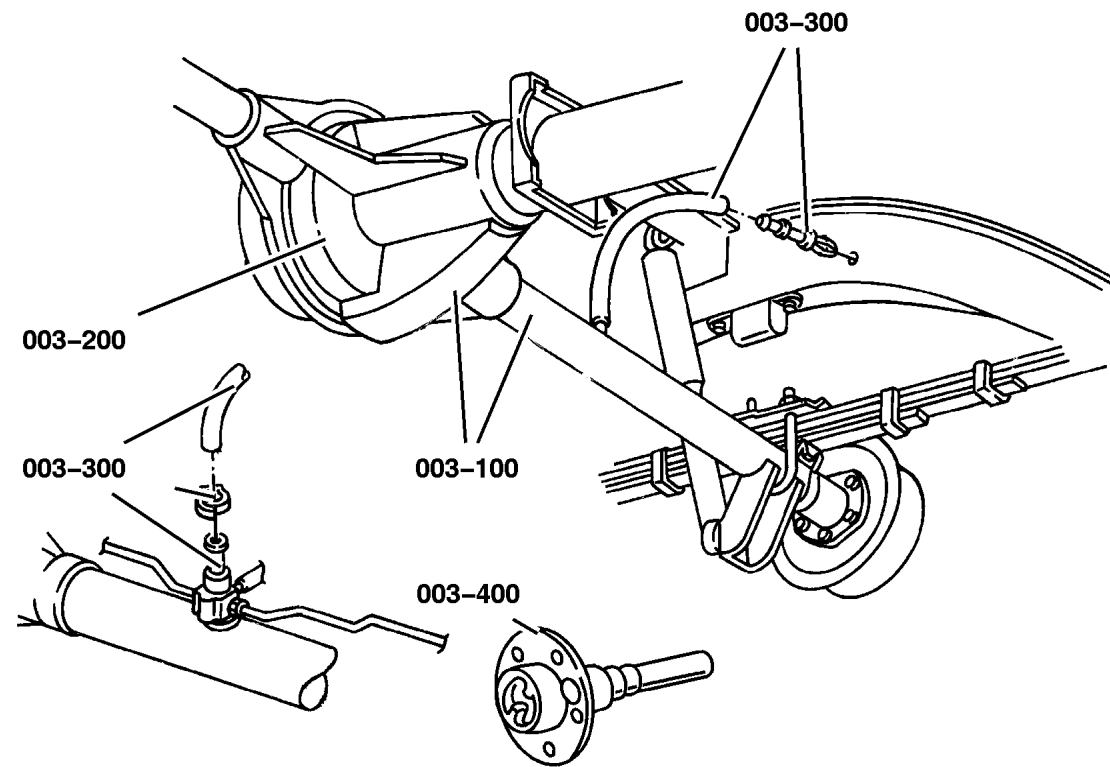
Differential, With Trac-Lok or Vari-Lok Progressive, Dana Model 44/226MM Fig. 003-275

Rear Axle Vent

Rear Axle Vent Fig. 003-310

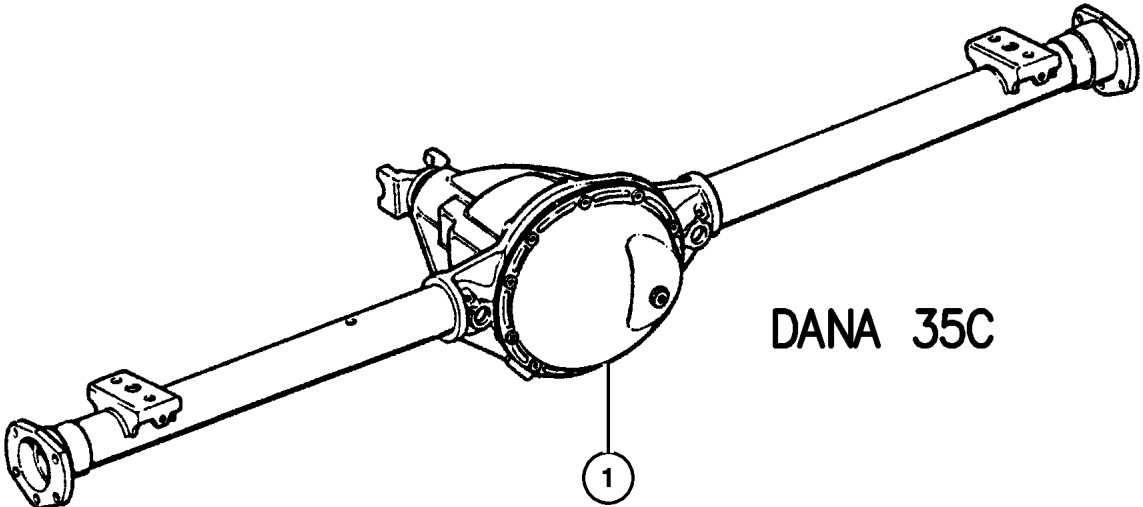
Rear Axle Shafts

Shaft, Rear Axle Fig. 003-410

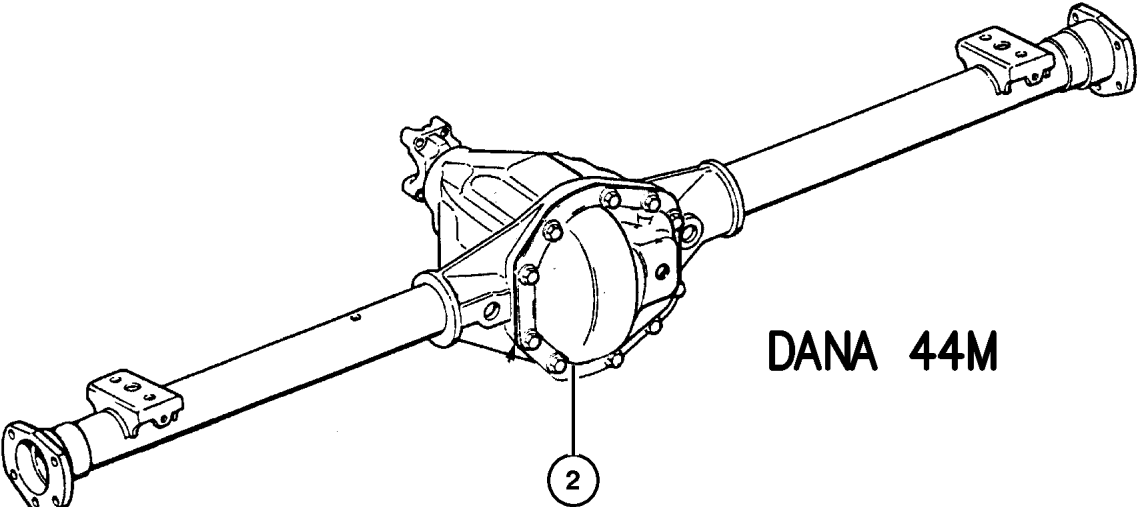


Axle Assembly Rear
Figure 003-130

ITEM	PART NUMBER	QTY	LINE	SERIES	BODY	DESCRIPTION
DRM = Dana 35C---DRK=Dana 44M---DMD=3.55 Ratio---DME=3.73 Ratio---DMT=3.91 Ratio---DSA=Trac-Lok Differential--- DSC=Vari-Lok Progressive Axle WD-Right Hand Drive---B=2 WD-Right Hand Drive						
1						AXLE, Service Rear
	5012 829AA	1				[DRM,DMD] withTag# 52099433AC
	5012 812AA	1				[DRM,DME] withTag# 52099430AC
	5012 832AA	1				[DRM,DME,DSA] with Tag# 52111996AC
2						AXLE, Service Rear
	5012 843AA	1				[DRK,DME] withTag# 52099429AC
	5012 853AA	1				[DRK,DME,DSA] withTag# 52111995AC
	5012 868AA	1				[DRK,DME,DSC] withTag# 52099426AC
	5015 075AA	1				[DRK,DMT] with Tag# 52111203AA
	5014 364AA	1				[DRK,DMT,DSC] withTag# 52111202AB



DANA 35C



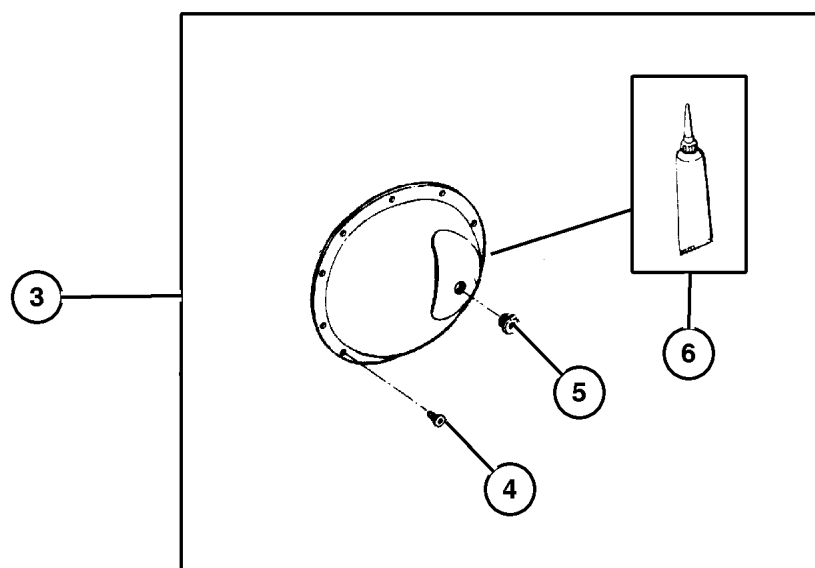
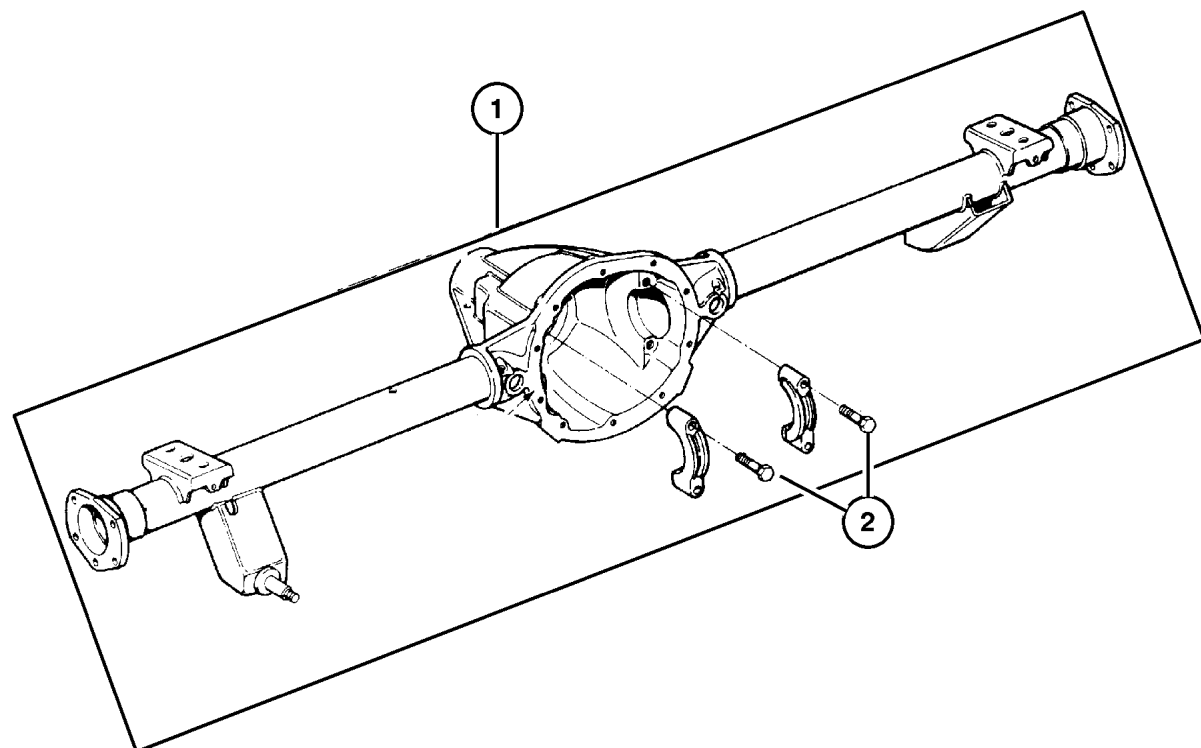
DANA 44M

JEEP GRAND CHEROKEE (WJ)		BODY	ENGINE	TRANSMISSION
SERIES	LINE	74 = 4 Door(105.9 WB)	ER0, ERH = 4.0L, Power Tech I-6	DGK = 4 Speed Autm, 42RE
H=Laredo	J = 4WD		EV0, EVA = 4.7L, Power Tech V8	DGW = 4 Speed Automatic, -44RE
P=Limited	T = 2WD		EXA, EX0 = 3.1L, 5 Cyl Turbo Diesel	DG4 = Multi Speed Automatic, -45RFE
	U = 4WD (RHD)			DGO = All Automatic

AR = Use as required - = Non illustrated part # = New this model year

Housing, Rear Axle Dana Model 35 Figure 003-250

ITEM	PART NUMBER	QTY	LINE	SERIES	BODY	DESCRIPTION
1	5012 805AA	1				HOUSING, Axle
2	4897 482AB	4				BOLT, Differential, Carrier Cap Retaining
3	5012 811AA	1				COVER, Differential, with Cover,Screws,Plug and Sealant
4	J400 6708	10				SCREW, Pan Head, .312-18x.56, Cover Attaching
5	5252 504	1				PLUG, Differential Cover
6	5010 884AA	1				SEALANT, RTV



JEEP GRAND CHEROKEE (WJ)

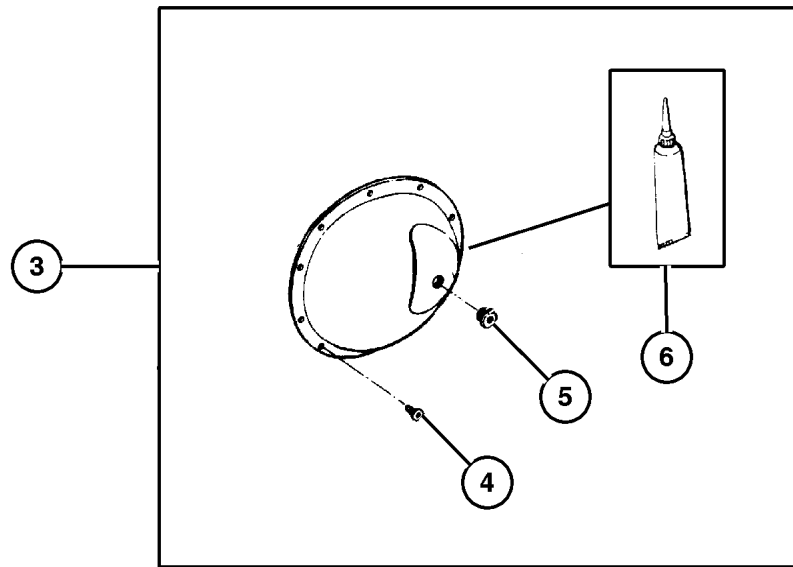
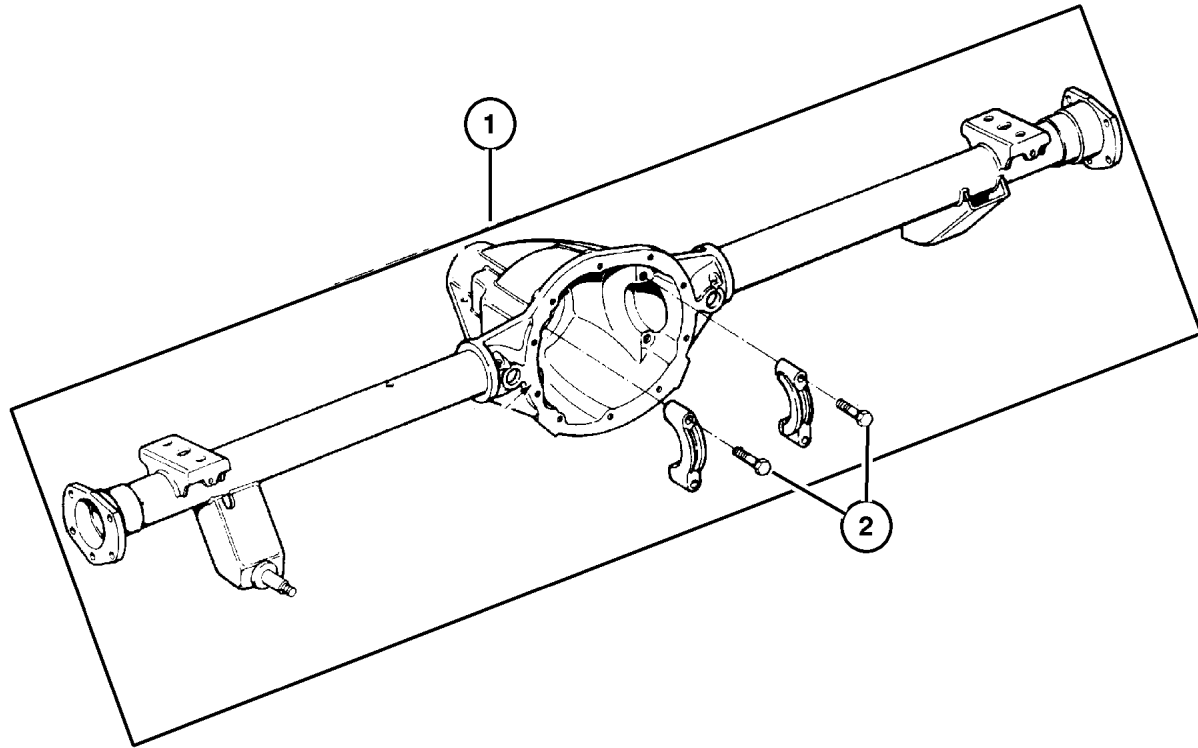
SERIES	LINE	BODY	ENGINE	TRANSMISSION
H=Laredo P=Limited	J = 4WD T = 2WD U = 4WD (RHD)	74 = 4 Door(105.9 WB)	ER0, ERH = 4.0L, Power Tech I-6 EV0, EVA = 4.7L, Power Tech V8 EXA, EX0 = 3.1L, 5 Cyl Turbo Diesel	DGK = 4 Speed Autm, 42RE DGW = 4 Speed Automatic, -44RE DG4 = Multi Speed Automatic, -45RFE DGO = All Automatic

AR = Use as required - = Non illustrated part # = New this model year

April 3, 2002

Housing, Rear Axle Dana Model 44
Figure 003-255

ITEM	PART NUMBER	QTY	LINE	SERIES	BODY	DESCRIPTION
1	5012 837AA	1				HOUSING, Axle
2	J400 6553	4				BOLT, Differential, Carrier Cap Retaining
3	5012 842AA	1				COVER, Differential, with Cover,Screws,Plug and Sealant
4	J400 6708	10				SCREW, Pan Head, .312-18x.56, Cover Attaching
5	5252 504	1				PLUG, Differential Cover
6	5010 884AA	1				SEALANT, RTV



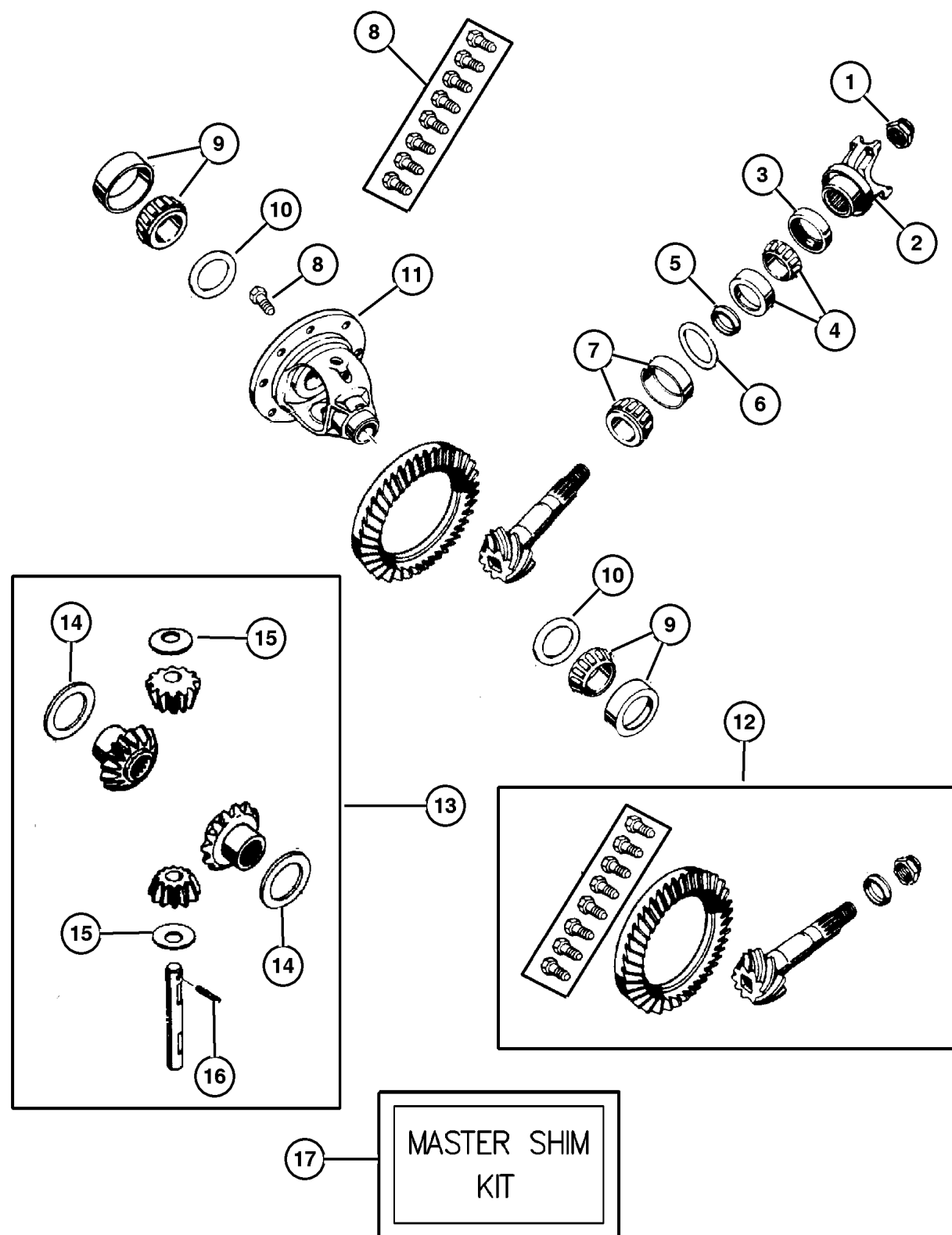
JEEP GRAND CHEROKEE (WJ)

SERIES	LINE	BODY	ENGINE	TRANSMISSION
H=Laredo	J = 4WD	74 = 4 Door(105.9 WB)	ER0, ERH = 4.0L, Power Tech I-6	DGK = 4 Speed Autm, 42RE
P=Limited	T = 2WD		EVO, EVA = 4.7L, Power Tech V8	DGW = 4 Speed Automatic, -44RE
	U = 4WD (RHD)		EXA, EX0 = 3.1L, 5 Cyl Turbo Diesel	DG4 = Multi Speed Automatic, -45RFE
				DGO = All Automatic

AR = Use as required - = Non illustrated part # = New this model year

April 3, 2002

Differential, Without Trac-Lok- Dana Model 35
Figure 003-260



ITEM	PART NUMBER	QTY	LINE	SERIES	BODY	DESCRIPTION
1	4720 895	1				NUT, Pinion Yoke
2	5012 806AA	1				YOKE, Axle
3	5012 813AA	1				SEAL, Drive Pinion Inner
	4883 964AA	1				Outer
4	5252 508	1				BEARING, Drive Pinion, Bearing and Cup, Front
5	5012 809AA	1				SPACER, Drive Pinion Bearing, Crush
6						SHIM, Drive Pinion Bearing, Replacement Individual PINION Shims for Master Shim Kit 5017214AA
	5017 269AA	1				.036"
	5017 270AA	1				.037"
	5017 271AA	1				.038"
	5017 272AA	1				.039"
	5017 273AA	1				.040"
	5017 274AA	1				.041"
	5017 275AA	1				.042"
	5017 276AA	1				.043"
	5017 277AA	1				.044"
	5017 278AA	1				.045"
	5017 279AA	1				.046"
	5017 280AA	1				.047"
	5017 281AA	1				.048"
	5017 282AA	1				.049"
	5017 283AA	1				.050"
	5017 288AA	1				.021"
7	5252 507	1				BEARING, Drive Pinion, Bearing and Cup, Rear
8	5012 810AA	1				BOLT KIT, Consists of 10 Screws
9	J812 6500	1				BEARING, Differential, Consists of 2 Bearings and 2 Cups
10						SHIM, Differential Bearing, Replacement Individual DIFFERENTIAL Shims for Master Shim Kit 5017214AA
	5017 299AA	1				.151"
	5017 300AA	1				.152"
	5017 301AA	1				.153"
	5017 302AA	1				.154"
	5017 303AA	1				.155"
	5017 304AA	1				.156"
	5017 305AA	1				.157"
	5017 306AA	1				.158"
	5017 307AA	1				.159"
	5017 308AA	1				.160"
	5017 309AA	1				.161"
	5017 310AA	1				.162"
	5017 311AA	1				.163"

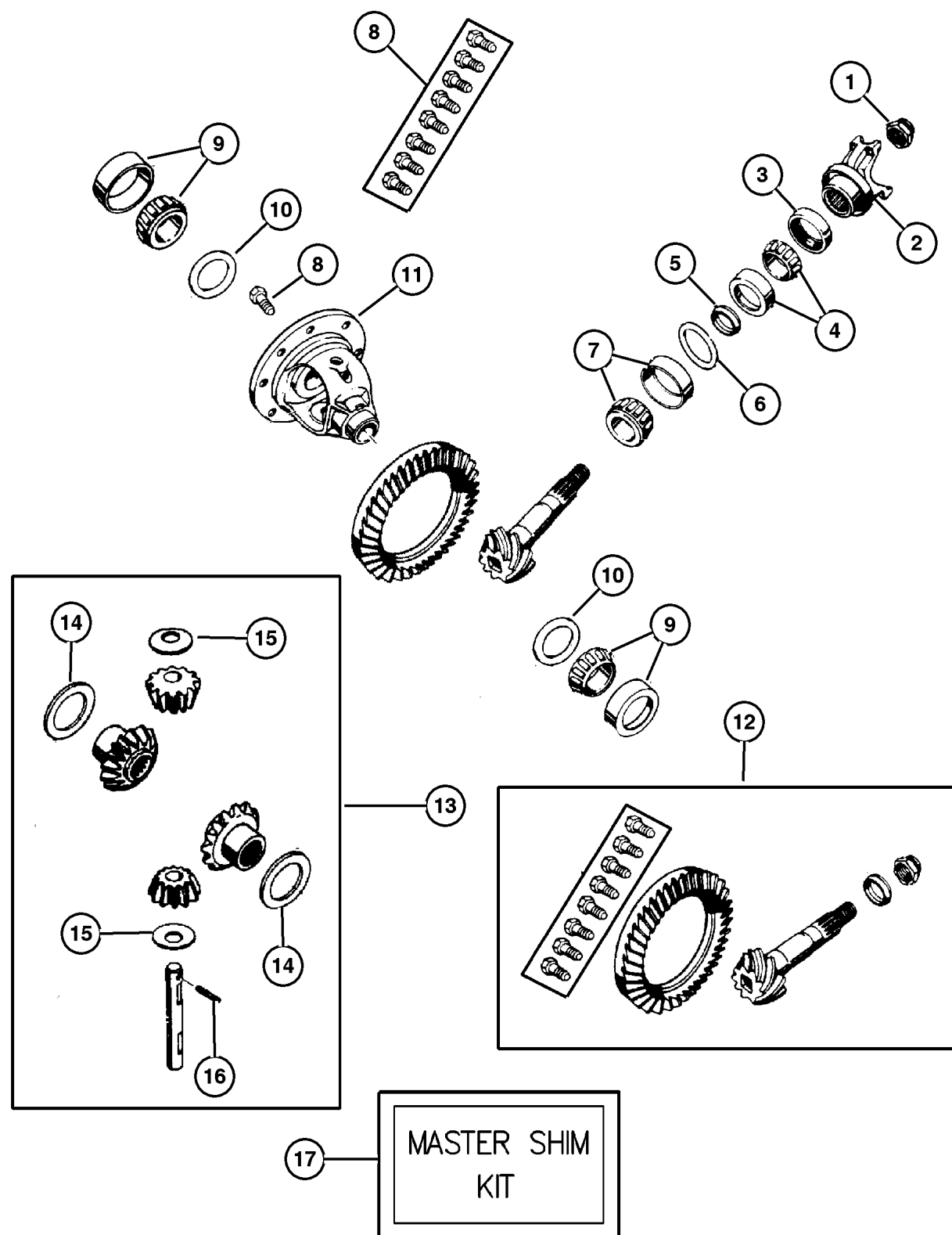
JEEP GRAND CHEROKEE (WJ)

SERIES	LINE	BODY	ENGINE	TRANSMISSION
H=Laredo	J = 4WD	74 = 4 Door(105.9 WB)	ER0, ERH = 4.0L, Power Tech I-6	DGK = 4 Speed Autm, 42RE
P=Limited	T = 2WD		EV0, EVA = 4.7L, Power Tech V8	DGW = 4 Speed Automatic, -44RE
	U = 4WD (RHD)		EXA, EX0 = 3.1L, 5 Cyl Turbo Diesel	DG4 = Multi Speed Automatic, -45RFE
				DGO = All Automatic

AR = Use as required - = Non illustrated part # = New this model year

April 3, 2002

Differential, Without Trac-Lok- Dana Model 35
Figure 003-260



ITEM	PART NUMBER	QTY	LINE	SERIES	BODY	DESCRIPTION
	5017 312AA	1				.164'
	5017 313AA	1				.165'
	5017 314AA	1				.166'
	5017 315AA	1				.167'
	5017 316AA	1				.168'
	5017 317AA	1				.169'
	5017 318AA	1				.170'
	5017 319AA	1				.171'
	5017 320AA	1				.172'
	5017 321AA	1				.173'
	5017 322AA	1				.174'
	5017 323AA	1				.175'
	5017 324AA	1				.176'
	5017 325AA	1				.177'
	5017 326AA	1				.178'
	5017 327AA	1				.179'
	5017 328AA	1				.180'
	5017 329AA	1				.181'
	5017 330AA	1				.182'
	5017 331AA	1				.183'
11	5012 808AA	1				CASE, Differential, with Internal Parts
12						GEAR KIT, Ring And Pinion
	5012 828AA	1				[DMD]
	5012 807AA	1				[DME]
13	4740 670	1				GEAR KIT, Center Differential
14	J812 0832	2				WASHER, Differential Side Gear, Thrust
15	J812 0831	2				WASHER, Flat, Pinion Thrust
16	5252 502	1				PIN, Differential Shaft
17	5017 214AA	1				SHIM KIT, Differential, Master Shim Kit For the Complete

Differential containing 16 PINION Shims and 33 DIFFERENTIAL Shims., Master Shim Kit-Complete Pinion and Differential Shim Package

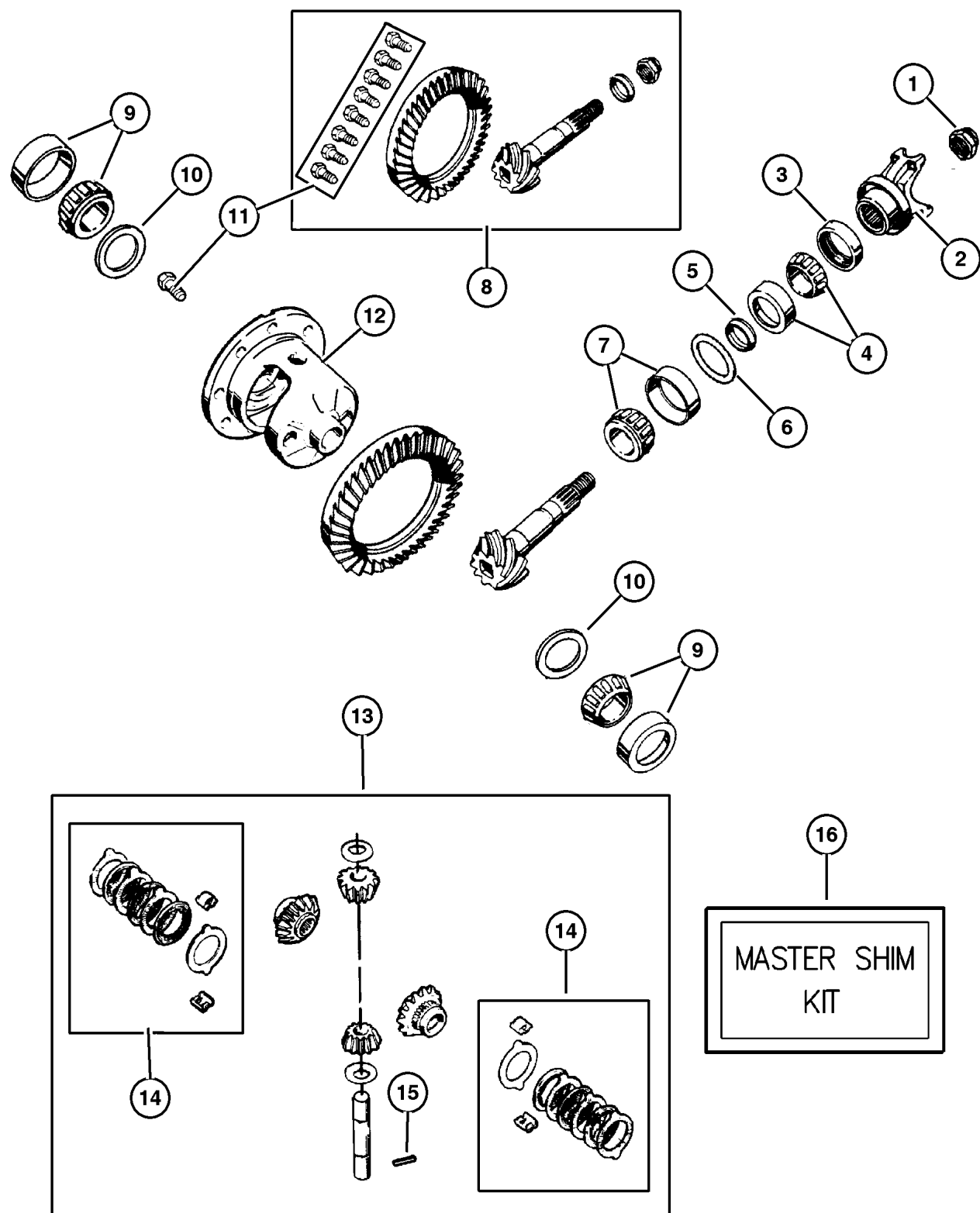
JEEP GRAND CHEROKEE (WJ)

SERIES	LINE	BODY	ENGINE	TRANSMISSION
H=Laredo	J = 4WD	74 = 4 Door(105.9 WB)	ER0, ERH = 4.0L, Power Tech I-6	DGK = 4 Speed Autm, 42RE
P=Limited	T = 2WD		EV0, EVA = 4.7L, Power Tech V8	DGW = 4 Speed Automatic, -44RE
	U = 4WD (RHD)		EXA, EX0 = 3.1L, 5 Cyl Turbo Diesel	DG4 = Multi Speed Automatic, -45RFE
				DGO = All Automatic

AR = Use as required - = Non illustrated part # = New this model year

April 3, 2002

Differential, With Trac-Lok-Dana Model 35
Figure 003-265



ITEM	PART NUMBER	QTY	LINE	SERIES	BODY	DESCRIPTION
1	4720 895	1				NUT, Pinion Yoke
2	5012 806AA	1				YOKE, Axle
3	5012 813AA	1				SEAL, Drive Pinion Inner
	4883 964AA	1				Outer
4	5252 508	1				BEARING, Drive Pinion, Bearing and Cup, Front
5	5012 809AA	1				SPACER, Drive Pinion Bearing, Crush
6						SHIM, Drive Pinion Bearing, Replacement Individual PINION Shims for Master Shim Kit 5014214AA.
	5017 288AA	1				.021"
	5017 269AA	1				.036"
	5017 270AA	1				.037"
	5017 271AA	1				.038"
	5017 272AA	1				.039"
	5017 273AA	1				.040"
	5017 274AA	1				.041"
	5017 275AA	1				.042"
	5017 276AA	1				.043"
	5017 277AA	1				.044"
	5017 278AA	1				.045"
	5017 279AA	1				.046"
	5017 280AA	1				.047"
	5017 281AA	1				.048"
	5017 282AA	1				.049"
	5017 283AA	1				.050"
7	5252 507	1				BEARING, Drive Pinion, Bearing and Cup, Rear
8	5012 807AA	1				GEAR KIT, Ring And Pinion, 3.73 Ratio
9	J812 6500	1				BEARING, Differential, Consists of 2 Bearings and 2 Cups
10						SHIM, Differential Bearing, Replacement Individual Differential Shims for Master Shim Kit 5014214AA
	5017 299AA	1				.151"
	5017 300AA	1				.152"
	5017 301AA	1				.153"
	5017 302AA	1				.154"
	5017 303AA	1				.155"
	5017 304AA	1				.156"
	5017 305AA	1				.157"
	5017 306AA	1				.158"
	5017 307AA	1				.159"
	5017 308AA	1				.160"
	5017 309AA	1				.161"
	5017 310AA	1				.162"
	5017 311AA	1				.163"

JEEP GRAND CHEROKEE (WJ)

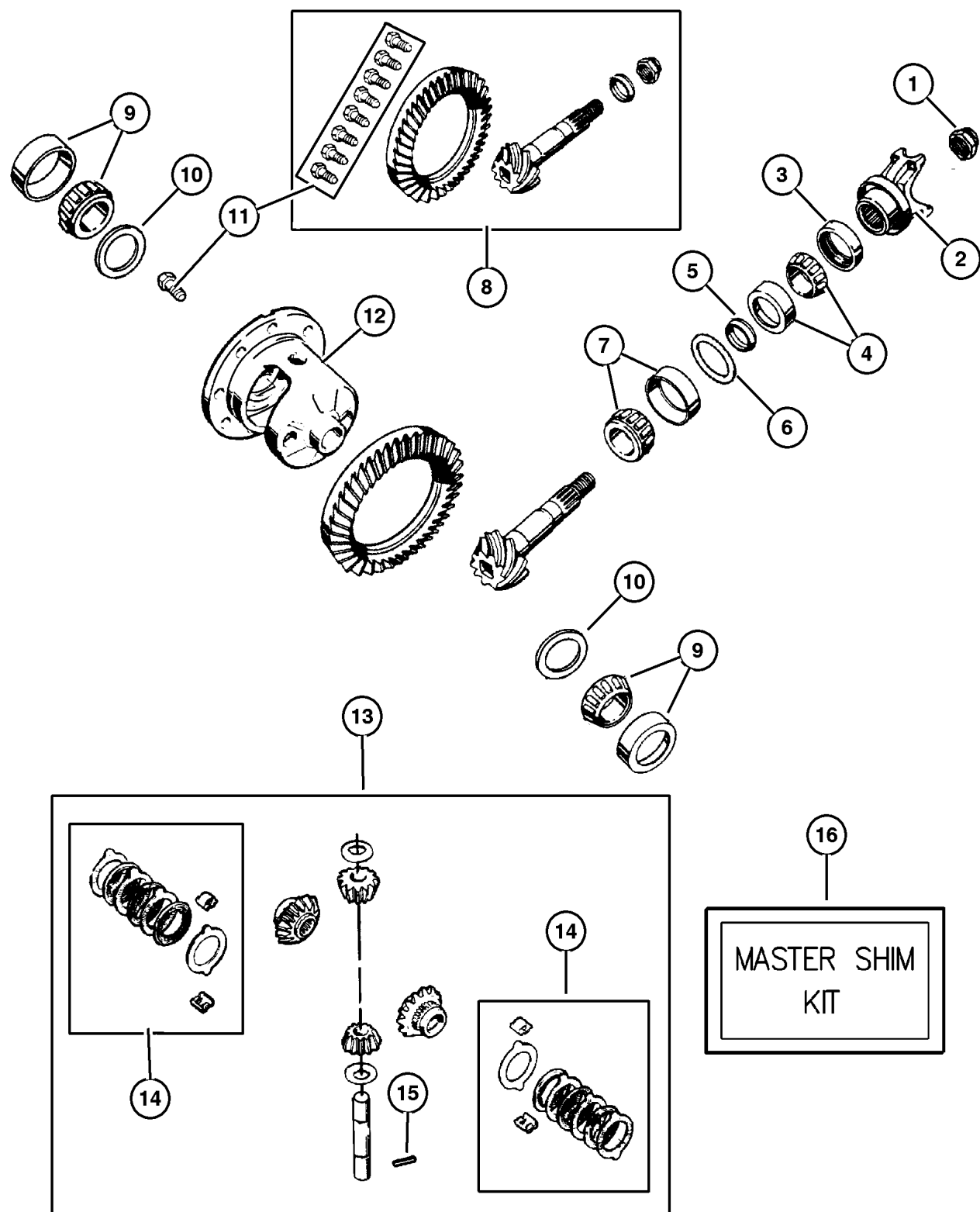
SERIES	LINE	BODY	ENGINE	TRANSMISSION
H=Laredo	J = 4WD	74 = 4 Door(105.9 WB)	ER0, ERH = 4.0L, Power Tech I-6	DGK = 4 Speed Autm, 42RE
P=Limited	T = 2WD		EV0, EVA = 4.7L, Power Tech V8	DGW = 4 Speed Automatic,
	U = 4WD (RHD)		EXA, EX0 = 3.1L, 5 Cyl Turbo Diesel	-44RE
				DG4 = Multi Speed Automatic,
				-45RFE
				DGO = All Automatic

AR = Use as required - = Non illustrated part # = New this model year

April 3, 2002

Differential, With Trac-Lok-Dana Model 35
Figure 003-265

ITEM	PART NUMBER	QTY	LINE	SERIES	BODY	DESCRIPTION
	5017 312AA	1				.164'
	5017 313AA	1				.165'
	5017 314AA	1				.166'
	5017 315AA	1				.167'
	5017 316AA	1				.168'
	5017 317AA	1				.169'
	5017 318AA	1				.170'
	5017 319AA	1				.171'
	5017 320AA	1				.172'
	5017 321AA	1				.173'
	5017 322AA	1				.174'
	5017 323AA	1				.175'
	5017 324AA	1				.176'
	5017 325AA	1				.177'
	5017 326AA	1				.178'
	5017 327AA	1				.179'
	5017 328AA	1				.180'
	5017 329AA	1				.181'
	5017 330AA	1				.182'
	5017 331AA	1				.183'
11	5012 810AB	1				BOLT KIT
12	5012 831AA	1				CASE, Differential, with Internal Parts
13	4773 010	1				GEAR KIT, Center Differential
14	5252 506	1				DISC AND PLATE KIT, Differential
15	5252 502	1				PIN, Differential Shaft
16	5017 214AA	1				SHIM KIT, Differential, Master Shim Kit for the Complete Differential containing 16 PINION Shims and 33 DIFFERENTIAL Shims., Master Shim Kit-Complete Pinion and Differential Shim Kit



JEEP GRAND CHEROKEE (WJ)

SERIES
H=Laredo
P=Limited

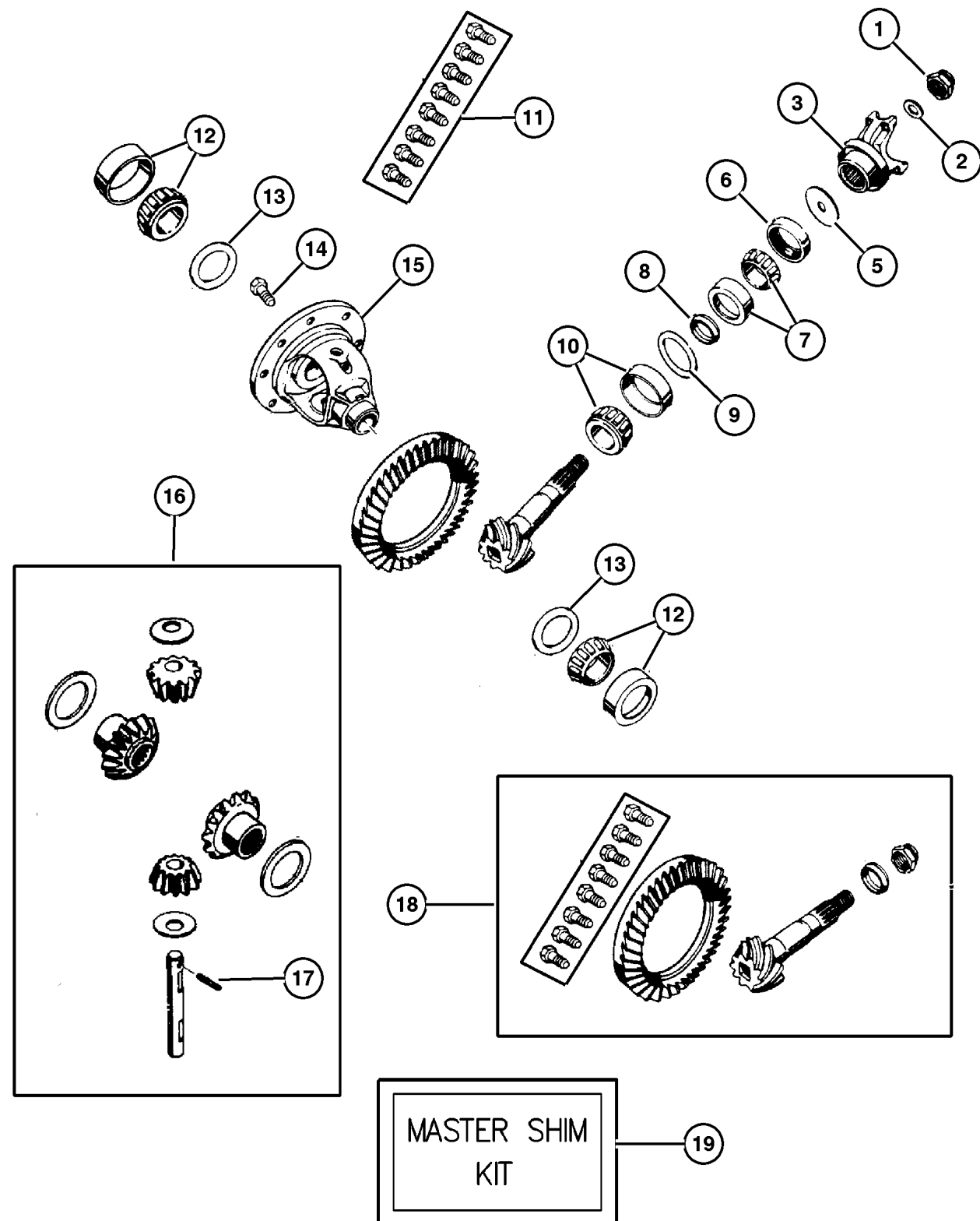
LINE
J = 4WD
T = 2WD
U = 4WD (RHD)

BODY
74 = 4 Door(105.9 WB)

ENGINE
ER0, ERH = 4.0L, Power Tech I-6
EV0, EVA = 4.7L, Power Tech V8
EXA, EX0 = 3.1L, 5 Cyl Turbo Diesel

TRANSMISSION
DGK = 4 Speed Autm, 42RE
DGW = 4 Speed Automatic,
-44RE
DG4 = Multi Speed Automatic,
-45RFE
DGO = All Automatic

Differential, Without Trac-Lok-Dana Model 44
Figure 003-270



ITEM	PART NUMBER	QTY	LINE	SERIES	BODY	DESCRIPTION
1	1795 173	1				NUT, Pinion Yoke
2	1795 175	1				WASHER, Pinion Yoke
3						YOKE, Axle
	5012 840AA	1				[DME]
	5015 003AA	1				[DMT]
-4	5012 847AA	1				O RING, Pinion Flange, Fits Over Hub of Axle Yoke
5	4746 867	1				SLINGER, Drive Pinion
6	5012 846AA	1				SEAL, Drive Pinion
7	4746 979	1				BEARING, Drive Pinion, Bearing and Cup, Front
8	4864 214	1				SPACER, Crush
9						SHIM, Drive Pinion Bearing
	5017 332AA	1				.040'
	5017 333AA	1				.041'
	5017 334AA	1				.042'
	5017 335AA	1				.043'
	5017 336AA	1				.044'
	5017 337AA	1				.045'
	5017 338AA	1				.046'
	5017 339AA	1				.047'
	5017 340AA	1				.048'
	5017 341AA	1				.049'
	5017 342AA	1				.050'
	5017 343AA	1				.051'
	5017 344AA	1				.052'
	5017 345AA	1				.053'
	5017 346AA	1				.054'
10	4864 210	1				BEARING, Differential Shaft, Bearing and Cup, Rear
11						BOLT KIT
	5012 810AC	1				Contains 10- 7/16-20 x.750' Ring Gear Bolts
	4720 891	1				Contains 10- 3/8-24 x.827' Ring Gear Bolts
12	4864 213	1				BEARING, Differential Case, Consists of 2 Bearing and 2 Cups
13						SHIM, Differential Bearing
	5017 347AA	1				.103'
	5017 348AA	1				.104'
	5017 349AA	1				.105'
	5017 350AA	1				.106'
	5017 351AA	1				.107'
	5017 352AA	1				.108'
	5017 353AA	1				.109'
	5017 354AA	1				.110'
	5017 355AA	1				.111'
	5017 356AA	1				.112'
	5017 357AA	1				.113'

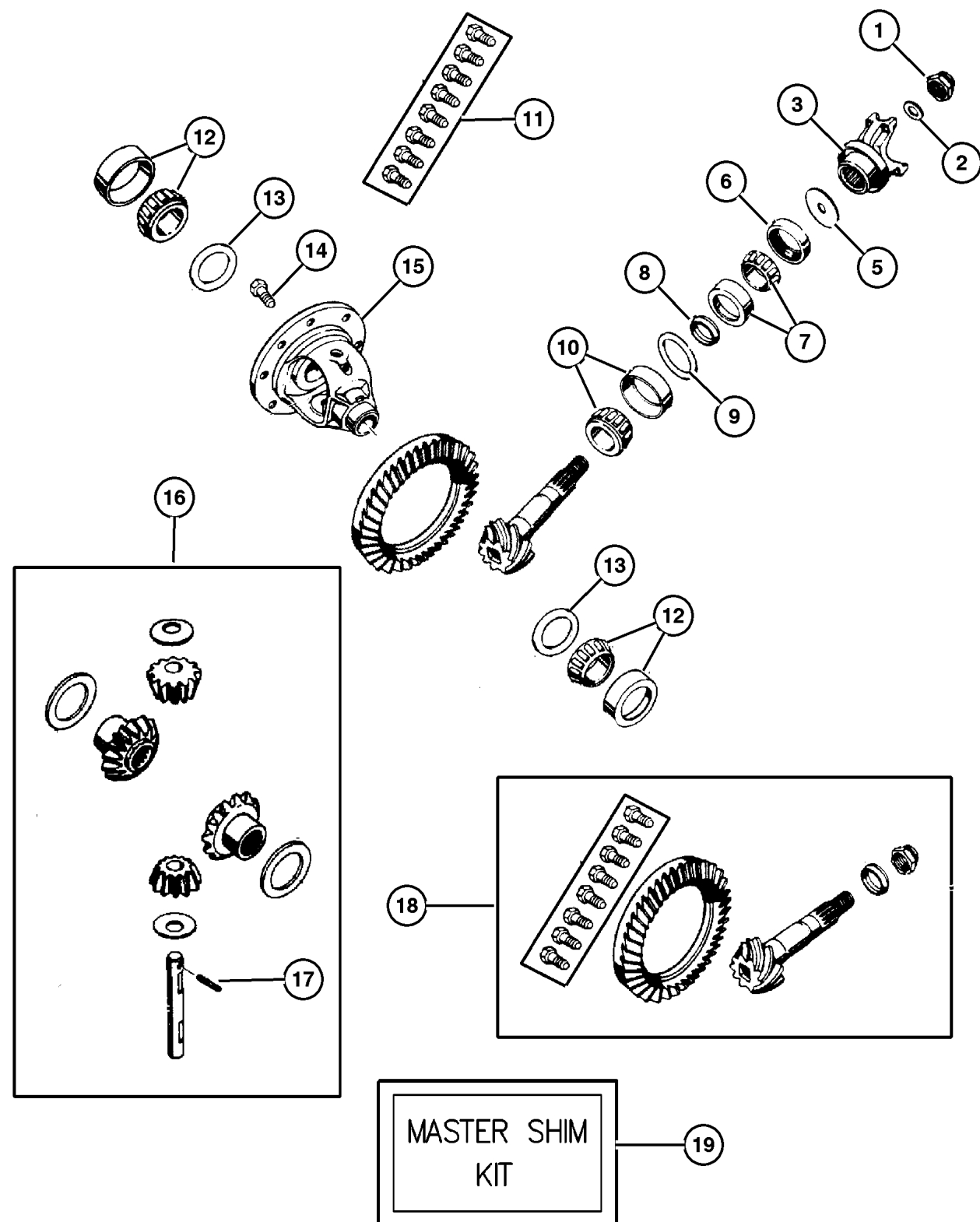
JEEP GRAND CHEROKEE (WJ)

SERIES	LINE	BODY	ENGINE	TRANSMISSION
H=Laredo	J = 4WD	74 = 4 Door(105.9 WB)	ER0, ERH = 4.0L, Power Tech I-6	DGK = 4 Speed Autm, 42RE
P=Limited	T = 2WD		EV0, EVA = 4.7L, Power Tech V8	DGW = 4 Speed Automatic, -44RE
	U = 4WD (RHD)		EXA, EX0 = 3.1L, 5 Cyl Turbo Diesel	DG4 = Multi Speed Automatic, -45RFE
				DGO = All Automatic

AR = Use as required - = Non illustrated part # = New this model year

April 3, 2002

Differential, Without Trac-Lok-Dana Model 44
Figure 003-270



ITEM	PART NUMBER	QTY	LINE	SERIES	BODY	DESCRIPTION
	5017 358AA	1				.114'
	5017 359AA	1				.115'
	5017 360AA	1				.116'
	5017 361AA	1				.117'
	5017 362AA	1				.118'
	5017 363AA	1				.119'
	5017 364AA	1				.120'
	5017 365AA	1				.121'
	5017 366AA	1				.122'
	5017 367AA	1				.123'
	5017 368AA	1				.124'
	5017 369AA	1				.125'
	5017 370AA	1				.126'
	5017 371AA	1				.127'
	5017 372AA	1				.128'
	5017 373AA	1				.129'
	5017 374AA	1				.130'
	5017 375AA	1				.131'
	5017 376AA	1				.132'
	5017 377AA	1				.133'
	5017 378AA	1				.134'
	5017 383AA	1				.135'
	5017 384AA	1				.136'
	5017 385AA	1				.137'
	5017 386AA	1				.138'
	5017 387AA	1				.139'
	5017 388AA	1				.140'
	5017 389AA	1				.141'
	5017 390AA	1				.142'
	5017 391AA	1				.143'
	5017 392AA	1				.144'
	5017 393AA	1				.145'
	5017 394AA	1				.146'
	5017 395AA	1				.147'
	5017 396AA	1				.148'
	5017 397AA	1				.149'
	5017 398AA	1				.150'
	5017 399AA	1				.151'
	5017 400AA	1				.152'
	5017 401AA	1				.153'
	5017 402AA	1				.154'
	5017 403AA	1				.155'
14	5252 503	1				SCREW, Drive Gear, 3/8-24 x.827' Ring Gear Bolt

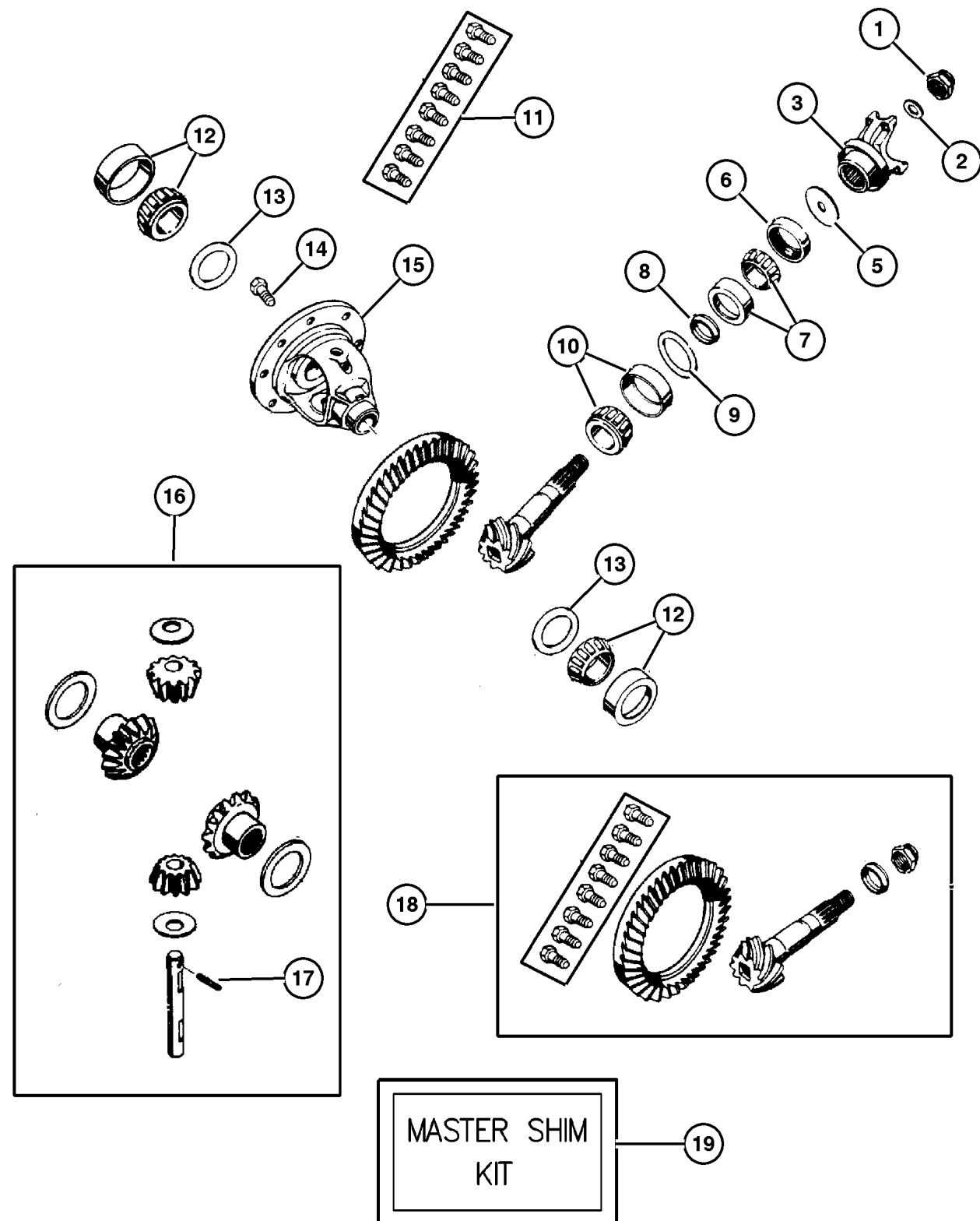
JEEP GRAND CHEROKEE (WJ)

SERIES	LINE	BODY	ENGINE	TRANSMISSION
H=Laredo	J = 4WD	74 = 4 Door(105.9 WB)	ER0, ERH = 4.0L, Power Tech I-6	DGK = 4 Speed Autm, 42RE
P=Limited	T = 2WD		EV0, EVA = 4.7L, Power Tech V8	DGW = 4 Speed Automatic, -44RE
	U = 4WD (RHD)		EXA, EX0 = 3.1L, 5 Cyl Turbo Diesel	DG4 = Multi Speed Automatic, -45RFE
				DGO = All Automatic

AR = Use as required - = Non illustrated part # = New this model year

April 3, 2002

Differential, Without Trac-Lok-Dana Model 44
Figure 003-270



ITEM	PART NUMBER	QTY	LINE	SERIES	BODY	DESCRIPTION
15						CASE, Differential
	4856 357	1				Uses 3/8-24 x.827' Ring Gear Bolts-with Internal Parts
	#5019 855AA	1				Uses 7/16-20 x.750' Ring Gear Bolts-with Internal Parts
16	4856 366	1				GEAR KIT, Center Differential
17	5015 223AA	1				PIN, Differential Shaft
18						GEAR KIT, Ring And Pinion
	5012 841AA	1				3.73 Ratio-with 3/8-24 x.827' Ring Gear Bolts
	#5019 854AA	1				3.73 Ratio-with 7/16-20 x.750' Ring Gear Bolts
	5014 357AA	1				3.91 Ratio-with 3/8-24 x.827' Ring Gear Bolts
	#5019 869AA	1				3.91 Ratio-with 7/16-20 x.750' Ring Gear Bolts
19	5017 215AA	1				SHIM KIT, Differential, Master Shim Kit-Complete PINION and DIFFERENTIAL Shim Kit

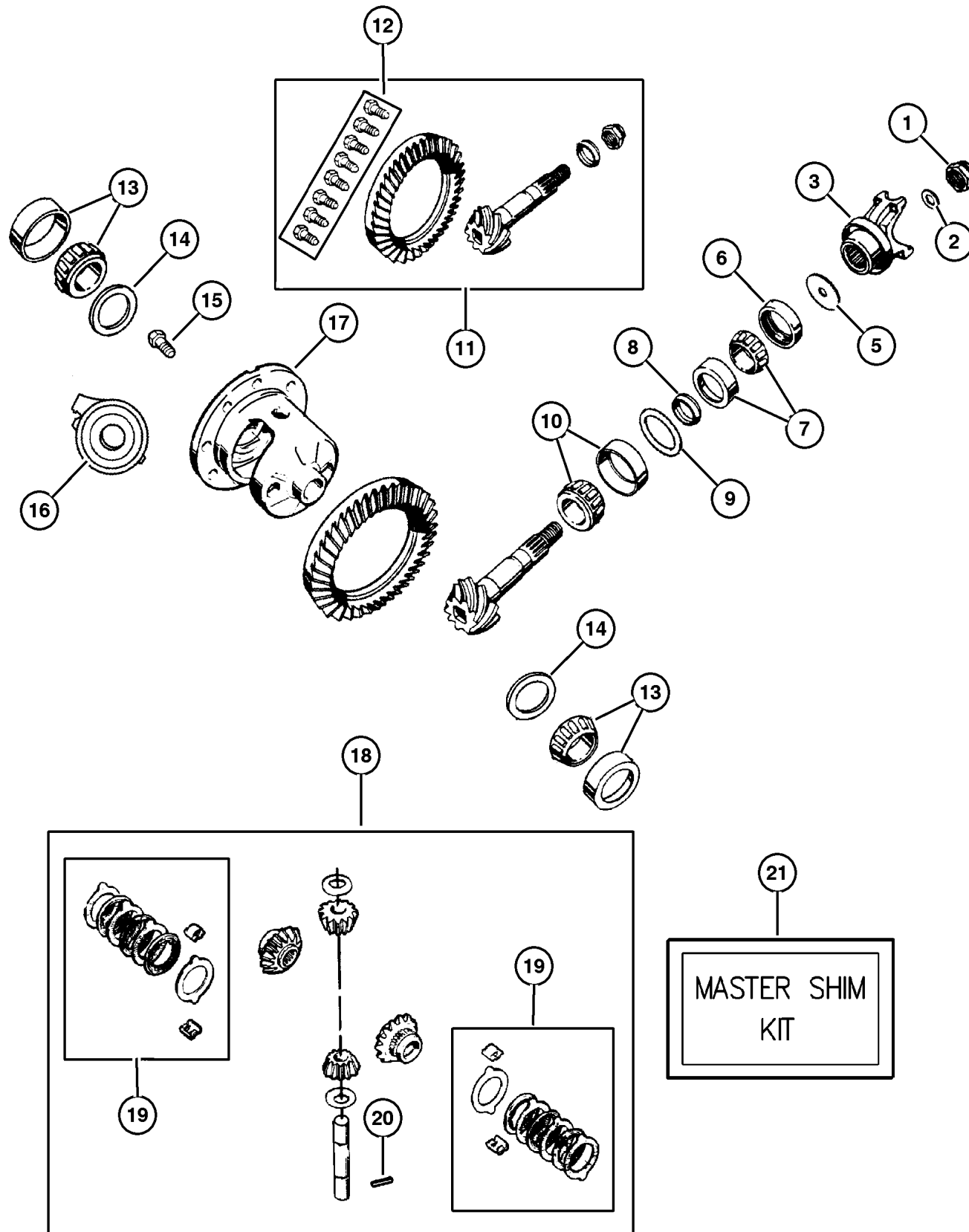
JEEP GRAND CHEROKEE (WJ)

SERIES	LINE	BODY	ENGINE	TRANSMISSION
H=Laredo	J = 4WD	74 = 4 Door(105.9 WB)	ER0, ERH = 4.0L, Power Tech I-6	DGK = 4 Speed Autm, 42RE
P=Limited	T = 2WD		EVO, EVA = 4.7L, Power Tech V8	DGW = 4 Speed Automatic, -44RE
	U = 4WD (RHD)		EXA, EX0 = 3.1L, 5 Cyl Turbo Diesel	DG4 = Multi Speed Automatic, -45RFE
				DGO = All Automatic

AR = Use as required - = Non illustrated part # = New this model year

April 3, 2002

**Differential, With Trac-Lok or Vari-Lok Progressive, Dana Model 44/226MM
Figure 003-275**



ITEM	PART NUMBER	QTY	LINE	SERIES	BODY	DESCRIPTION
NOTES: DSA=Trac-Lok Differential----DSC=Vari-Lok Differential WD-Right Hand Drive---B=2 WD-Right Hand Drive						
1	1795 173	1				NUT, Pinion Yoke
2	1795 175	1				WASHER, Pinion Yoke
3	5015 003AA	1				YOKE, Axle [DMT]
	5012 840AA	1				[DME]
-4	5012 847AA	1				O RING, Pinion Flange, Fits Over Hub of Axle Yoke
5	4746 867	1				SLINGER, Drive Pinion
6	5012 846AA	1				SEAL, Drive Pinion
7	4746 979	1				BEARING, Drive Pinion, Bearing and Cup, Front
8	4864 214	1				SPACER, Crush
9						SHIM, Drive Pinion Bearing, Replacement Individual PINION Shims for Master Shim Kit 5017215AA.
	5017 332AA	1				.040'
	5017 333AA	1				.041'
	5017 334AA	1				.042'
	5017 335AA	1				.043'
	5017 336AA	1				.044'
	5017 337AA	1				.045'
	5017 338AA	1				.046'
	5017 339AA	1				.047'
	5017 340AA	1				.048'
	5017 341AA	1				.049'
	5017 342AA	1				.050'
	5017 343AA	1				.051'
	5017 344AA	1				.052'
	5017 345AA	1				.053'
	5017 346AA	1				.054'
10	4864 210	1				BEARING, Differential Shaft, Bearing and Cup, Rear
11						GEAR KIT, Ring and Pinion
	5012 841AA	1				[DME] with 3/8-24 x .827' Ring Gear Bolts
	#5019 854AB	1				[DME] with 7/16-20 x .750' Ring Gear Bolts
	5014 357AA	1				[DMT] with 3/8-24 x .827' Ring Gear Bolts
	#5019 869AA	1				[DMT] with 7/16-20 x .750' Ring Gear Bolts
12						BOLT KIT
	4720 891	1				Contains 10- 3/8-24 x .827' Ring Gear Bolts
	5012 810AC	1				Contains 10- 7/16-20 x .750' Ring Gear Bolts
13	4864 213	1				BEARING, Differential Case, Consists of 2 Bearings and 2 Cups
14						SHIM, Differential Bearing, Replacement Individual DIFFERENTIAL Shims for Master Shim Kit 5017215AA
	5017 347AA	1				.103'
	5017 348AA	1				.104'

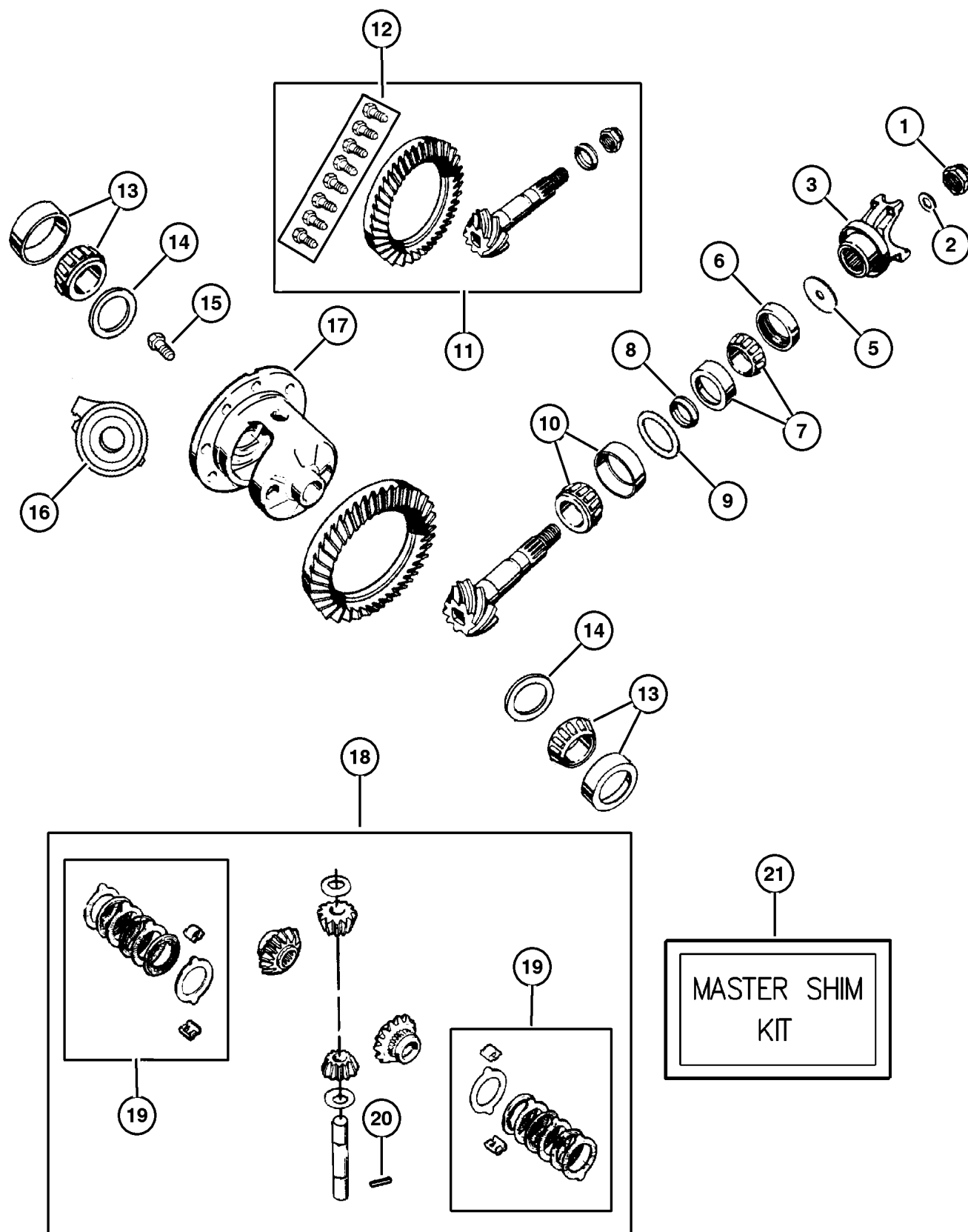
JEEP GRAND CHEROKEE (WJ)

SERIES	LINE	BODY	ENGINE	TRANSMISSION
H=Laredo	J = 4WD	74 = 4 Door(105.9 WB)	ER0, ERH = 4.0L, Power Tech I-6	DGK = 4 Speed Autm, 42RE
P=Limited	T = 2WD		EVO, EVA = 4.7L, Power Tech V8	DGW = 4 Speed Automatic, -44RE
	U = 4WD (RHD)		EXA, EX0 = 3.1L, 5 Cyl Turbo Diesel	DG4 = Multi Speed Automatic, -45RFE
				DGO = All Automatic

AR = Use as required - = Non illustrated part # = New this model year

April 3, 2002

**Differential, With Trac-Lok or Vari-Lok Progressive, Dana Model 44/226MM
Figure 003-275**



ITEM	PART NUMBER	QTY	LINE	SERIES	BODY	DESCRIPTION
	5017 349AA	1				.105"
	5017 350AA	1				.106"
	5017 351AA	1				.107"
	5017 352AA	1				.108"
	5017 353AA	1				.109"
	5017 354AA	1				.110"
	5017 355AA	1				.111"
	5017 356AA	1				.112"
	5017 357AA	1				.113"
	5017 358AA	1				.114"
	5017 359AA	1				.115"
	5017 360AA	1				.116"
	5017 361AA	1				.117"
	5017 362AA	1				.118"
	5017 363AA	1				.119"
	5017 364AA	1				.120"
	5017 365AA	1				.121"
	5017 366AA	1				.122"
	5017 367AA	1				.123"
	5017 368AA	1				.124"
	5017 369AA	1				.125"
	5017 370AA	1				.126"
	5017 371AA	1				.127"
	5017 372AA	1				.128"
	5017 373AA	1				.129"
	5017 374AA	1				.130"
	5017 375AA	1				.131"
	5017 376AA	1				.132"
	5017 377AA	1				.133"
	5017 378AA	1				.134"
	5017 383AA	1				.135"
	5017 384AA	1				.136"
	5017 385AA	1				.137"
	5017 386AA	1				.138"
	5017 387AA	1				.139"
	5017 388AA	1				.140"
	5017 389AA	1				.141"
	5017 390AA	1				.142"
	5017 391AA	1				.143"
	5017 392AA	1				.144"
	5017 393AA	1				.145"
	5017 394AA	1				.146"
	5017 395AA	1				.147"

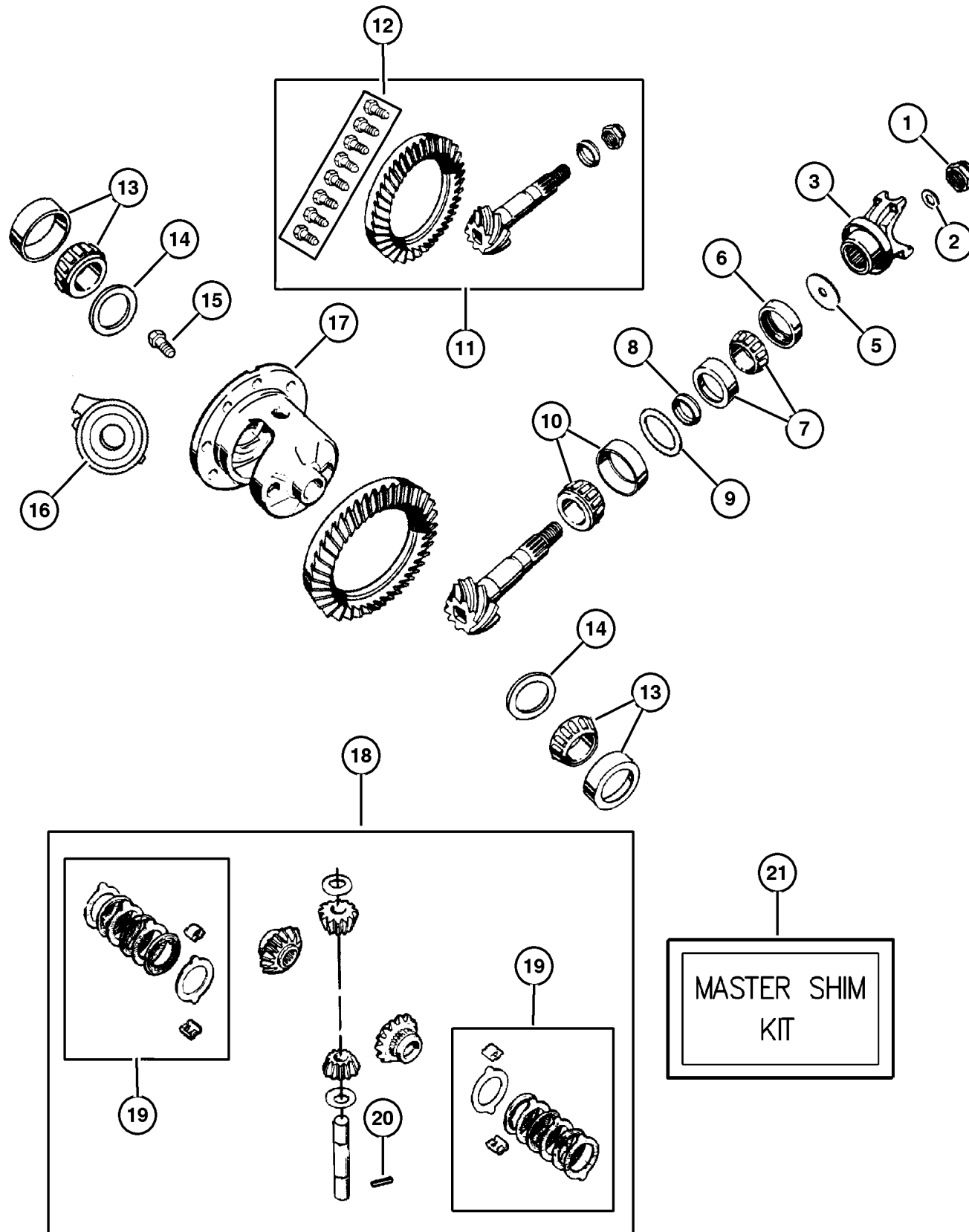
JEEP GRAND CHEROKEE (WJ)

SERIES	LINE	BODY	ENGINE	TRANSMISSION
H=Laredo	J = 4WD	74 = 4 Door(105.9 WB)	ER0, ERH = 4.0L, Power Tech I-6	DGK = 4 Speed Autm, 42RE
P=Limited	T = 2WD		EV0, EVA = 4.7L, Power Tech V8	DGW = 4 Speed Automatic, -44RE
	U = 4WD (RHD)		EXA, EX0 = 3.1L, 5 Cyl Turbo Diesel	DG4 = Multi Speed Automatic, -45RFE
				DGO = All Automatic

AR = Use as required - = Non illustrated part # = New this model year

April 3, 2002

**Differential, With Trac-Lok or Vari-Lok Progressive, Dana Model 44/226MM
Figure 003-275**



ITEM	PART NUMBER	QTY	LINE	SERIES	BODY	DESCRIPTION
	5017 396AA	1				.148'
	5017 397AA	1				.149'
	5017 398AA	1				.150'
	5017 399AA	1				.151'
	5017 400AA	1				.152'
	5017 401AA	1				.153'
	5017 402AA	1				.154'
	5017 403AA	1				.155'
15	5252 503	10				SCREW, Drive Gear, 3/8-24 x .827' Ring Gear Bolts
16	5012 870AA	1				PLENUM, Differential, [DSC]
17	4856 355	1				CASE, Differential [DSA]-Uses 3/8-24 x .827' Ring Gear Bolts-with Internal Parts
	#5019 868AA	1				[DSA]-Uses 7/16-20 x .750' Ring Gear Bolts-with Internal Parts
	5012 869AA	1				[DSC]-Uses 3/8-24 x .827' Ring Gear Bolts-with Internal Parts
	#5019 867AA	1				[DSC]-Uses 7/16-20 x .750' Ring Gear Bolts-with Internal Parts
18	4856 372	1				GEAR KIT, Center Differential, [DSA]
19	4626 720	1				DISC AND PLATE KIT, Differential, [DSA]
20	5015 223AA	1				PIN, Differential Shaft, [DSA]
21	5017 215AA	1				SHIM KIT, Differential, Master Shim Kit for the Complete Differential containing PINION Shims and DIFFERENTIAL Shims., Master Shim Kit-Complete PINION and DIFFERENTIAL Shim Package

JEEP GRAND CHEROKEE (WJ)

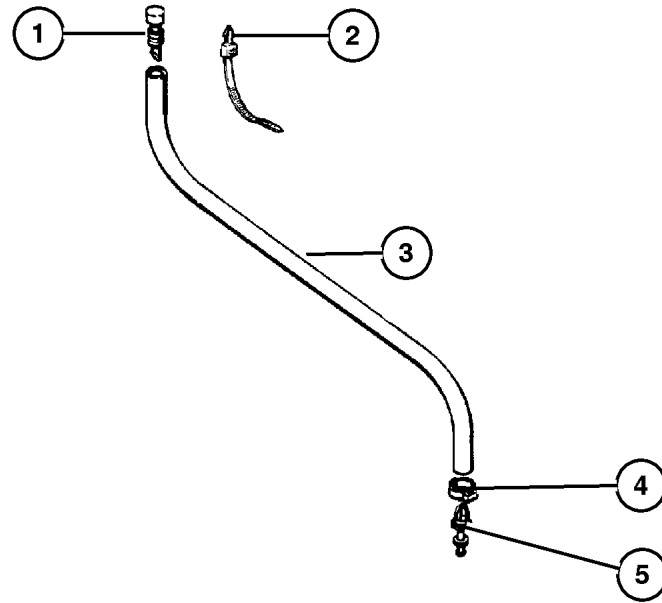
SERIES	LINE	BODY	ENGINE	TRANSMISSION
H=Laredo	J = 4WD	74 = 4 Door(105.9 WB)	ER0, ERH = 4.0L, Power Tech I-6	DGK = 4 Speed Autm, 42RE
P=Limited	T = 2WD		EV0, EVA = 4.7L, Power Tech V8	DGW = 4 Speed Automatic, -44RE
	U = 4WD (RHD)		EXA, EX0 = 3.1L, 5 Cyl Turbo Diesel	DG4 = Multi Speed Automatic, -45RFE
				DGO = All Automatic

AR = Use as required - = Non illustrated part # = New this model year

April 3, 2002

Rear Axle Vent Figure 003-310

ITEM	PART NUMBER	QTY	LINE	SERIES	BODY	DESCRIPTION
NOTES:ER0=4.0L 6 Cylinder Engine---EV0=4.7L Gas Engine---EX0=3.0/3.1L Turbo Diesel WD-Right Hand Drive---B=2 WD-Right Hand Drive						
1	J535 2955	1				VENT, Axle, Upper
2	6016 076	1				TIE STRAP
3						HOSE, Axle Vent
	52098 655AB	1				ER0,EV0
	52100 413AA	1				EX0
4	6503 573	1				CLIP, Lower Clamp to Screw
5	4137 696	1				SCREW, Brake Tee, .437-20x2.07, Double Ended Stud



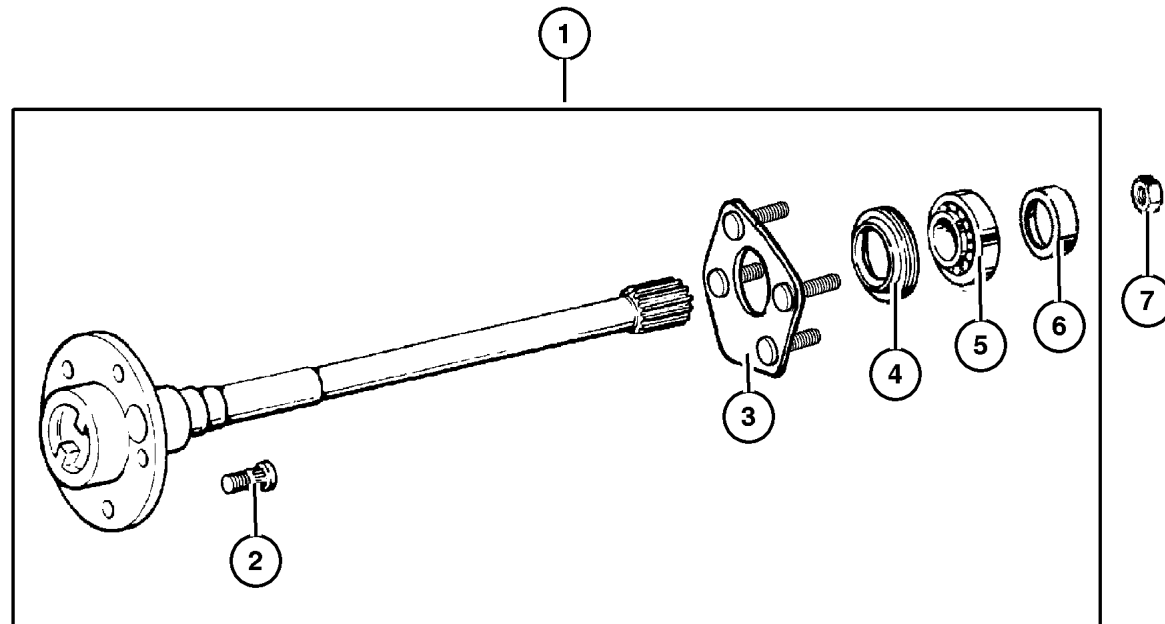
JEEP GRAND CHEROKEE (WJ)

SERIES	LINE	BODY	ENGINE	TRANSMISSION
H=Laredo	J = 4WD	74 = 4 Door(105.9 WB)	ER0, ERH = 4.0L, Power Tech I-6	DGK = 4 Speed Autm, 42RE
P=Limited	T = 2WD		EV0, EVA = 4.7L, Power Tech V8	DGW = 4 Speed Automatic, -44RE
	U = 4WD (RHD)		EXA, EX0 = 3.1L, 5 Cyl Turbo Diesel	DG4 = Multi Speed Automatic, -45RFE
				DGO = All Automatic

AR = Use as required - = Non illustrated part # = New this model year

April 3, 2002

Shaft,Rear Axle Figure 003-410



ITEM	PART NUMBER	QTY	LINE	SERIES	BODY	DESCRIPTION
Note:Sales Codes; WD-Right Hand Drive---B=2 WD-Right Hand Drive						
[DRK]=Axle - Rear,Dana 44/226MM WD-Right Hand Drive---B=2 WD-Right Hand Drive						
[DRM]=Axle - Rear,Dana 35C/194MM WD-Right Hand Drive---B=2 WD-Right Hand Drive						
[DSA]=Axle - Trac-Lok Differential WD-Right Hand Drive---B=2 WD-Right Hand Drive						
[DSC]=Axles - Vari-Lok Progressive WD-Right Hand Drive---B=2 WD-Right Hand Drive						
1						SHAFT, Axle
	5012 820AA	1				[DRM], Right
	5012 821AA	1				[DRM], Left
	5012 850AA	1				[DRK], Right
	5012 851AA	1				[DRK], Left
	5012 850AA	1				[DRK,DSA], Right
	5012 851AA	1				[DRK,DSA], Left
	5012 872AA	1				[DRK,DSC], Right
	5012 873AA	1				[DRK,DSC], Left
2	5209 8680	10				STUD, Wheel, Mounting
3	5012 827AA	2				RETAINER, Axle Shaft Seal
4	5012 824AA	2				SEAL, Axle Drive Shaft
5	5012 825AA	2				BEARING, Axle Shaft
6	8350 3054	2				RING, Axle Shaft
7	6034 988	8				NUT, Hex Lock, .375-24, Axle Shaft Seal Retainer, Mounting

JEEP GRAND CHEROKEE (WJ)

SERIES	LINE	BODY	ENGINE	TRANSMISSION
H=Laredo	J = 4WD	74 = 4 Door(105.9 WB)	ER0, ERH = 4.0L, Power Tech I-6	DGK = 4 Speed Autm, 42RE
P=Limited	T = 2WD		EV0, EVA = 4.7L, Power Tech V8	DGW = 4 Speed Automatic, -44RE
	U = 4WD (RHD)		EXA, EX0 = 3.1L, 5 Cyl Turbo Diesel	DG4 = Multi Speed Automatic, -45RFE
				DGO = All Automatic

AR = Use as required - = Non illustrated part # = New this model year

April 3, 2002

Group – 004

Parking Brake

GROUP 4 - Parking Brake

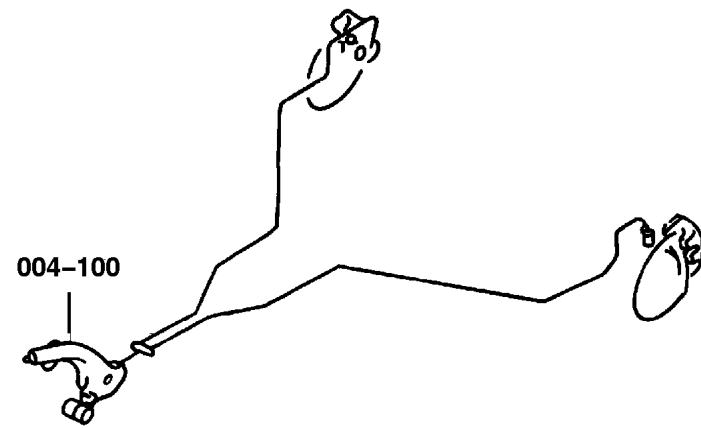
Illustration Title


Group-Fig. No.

Parking Brake Lever and Cables

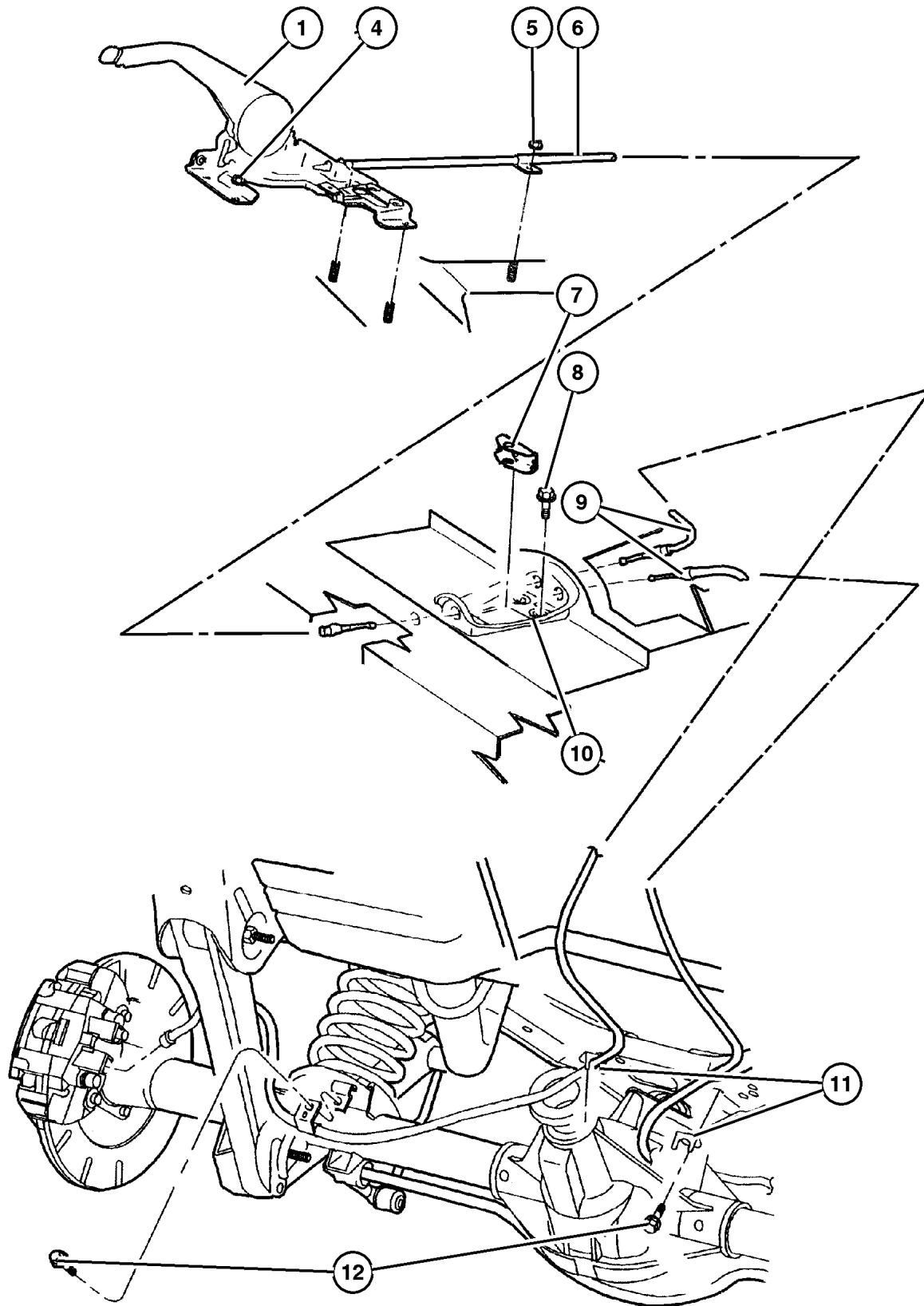
Lever And Cable - Parking Brake Fig. 004-110

Rear Disc Parking Brake Assy Fig. 004-120



004-100 Parking Brake Lever and Cables			
			

Lever And Cable - Parking Brake
Figure 004-110



ITEM	PART NUMBER	QTY	LINE	BODY	DESCRIPTION
1	52128 246AF	1			LEVER, Park Brake
-2	5212 7960	1			SWITCH, Parking Brake
-3	5016 265AA	1			COVER, Parking Brake
4	6505 245AA	4			NUT, M8x1.25
5					NUT AND WASHER, Hex Lock Nut-Coned Washer, M6 x 1.00, (NOT SERVICED)
6	52128 243AA	1			CABLE, Parking Brake, Front
7	5212 8126	1			EQUALIZER, Parking Brake Cable
8	6502 734	3			SCREW, M6x1x20
9					CABLE, Parking Brake
	52128 118AC	1			Right,Rear
	52128 119AC	1			Left,Rear
10	52128 236AB	1			BRACKET, Cable
11	52128 224AB	2			BRACKET, Cable
12					SCREW, Hex Head Tapping, M6x1x20, (NOT SERVICED)

JEEP GRAND CHEROKEE (WJ)

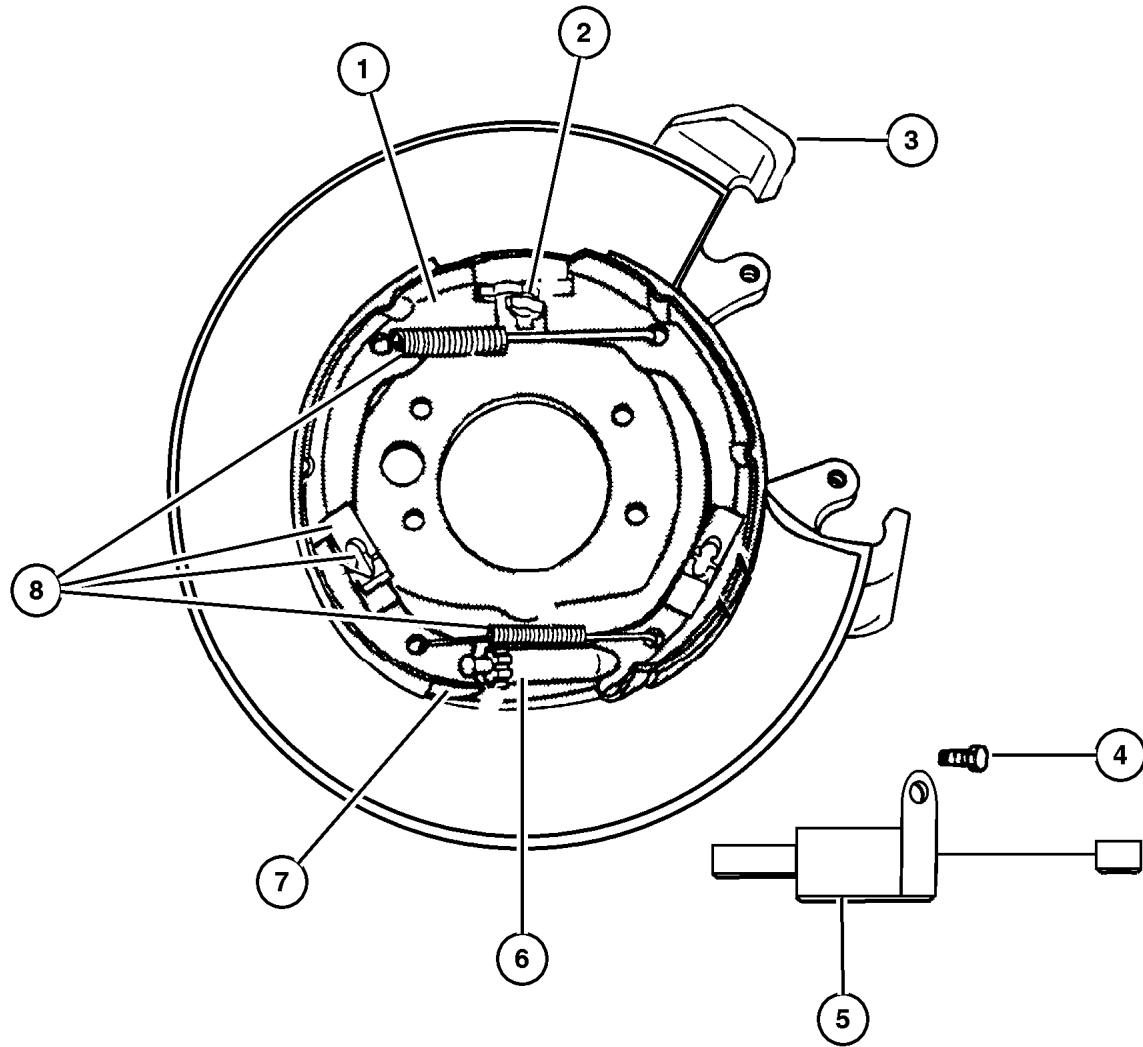
SERIES	LINE	BODY	ENGINE	TRANSMISSION
H=Laredo	J = 4WD	74 = 4 Door(105.9 WB)	ER0, ERH = 4.0L, Power Tech I-6	DGK = 4 Speed Autm, 42RE
P=Limited	T = 2WD		EV0, EVA = 4.7L, Power Tech V8	DGW = 4 Speed Automatic, -44RE
	U = 4WD (RHD)		EXA, EX0 = 3.1L, 5 Cyl Turbo Diesel	DG4 = Multi Speed Automatic, -45RFE
				DGO = All Automatic

AR = Use as required - = Non illustrated part # = New this model year

April 3, 2002

Rear Disc Parking Brake Assy
Figure 004-120

ITEM	PART NUMBER	QTY	LINE	BODY	DESCRIPTION
1	5011 988AA	1			SHOE AND LINING KIT, Parking Brake
2	5011 994AA	1			LEVER, Park Brake
3	5011 982AA	2			PLATE, Brake Backing
4	5012 814AA	2			BOLT, ABS Sensor
5					SENSOR, Wheel Speed
	56041 308AA	1			Right
	56041 509AA	1			Left
6	5011 993AA	1			ADJUSTER, Parking Brake
7	5012 354AA	2			PLUG, Brake Adjusting Hole
8	5014 038AA	2			SPRING KIT, Brake Shoe Hold Down, Contains 2-Brake Shoe Hold Down Pins,2-Parking Brake Hold Down Clips,1-Park Brake Shoe Return Spring Upper and 1-Park Brake Shoe Return Spring Lower.



JEEP GRAND CHEROKEE (WJ)

SERIES	LINE	BODY	ENGINE	TRANSMISSION
H=Laredo	J = 4WD	74 = 4 Door(105.9 WB)	ER0, ERH = 4.0L, Power Tech I-6	DGK = 4 Speed Autm, 42RE
P=Limited	T = 2WD		EVO, EVA = 4.7L, Power Tech V8	DGW = 4 Speed Automatic, -44RE
	U = 4WD (RHD)		EXA, EX0 = 3.1L, 5 Cyl Turbo Diesel	DG4 = Multi Speed Automatic, -45RFE
				DGO = All Automatic

AR = Use as required - = Non illustrated part # = New this model year

April 3, 2002

Group – 005

Service Brakes

GROUP 5 - Service Brakes

Illustration Title

Group-Fig. No.

Front Brakes

Front Disc Brake Caliper 'Continental Teves'and Rotor Fig. 005-110

Front Disc Brake Caliper 'Akebono'and Rotor Fig. 005-120

Rear Brakes

Rear Disc Brake Caliper Fig. 005-210

Brake Master Cylinder

Master Cylinder & Booster Wj Fig. 005-405

Hydraulic Control Unit Wj Fig. 005-410

Brake Lines and Hoses

Brake Lines and Hoses,Right Front,RHD Fig. 005-510

Brake Lines, Right Front,LHD WJ Fig. 005-550

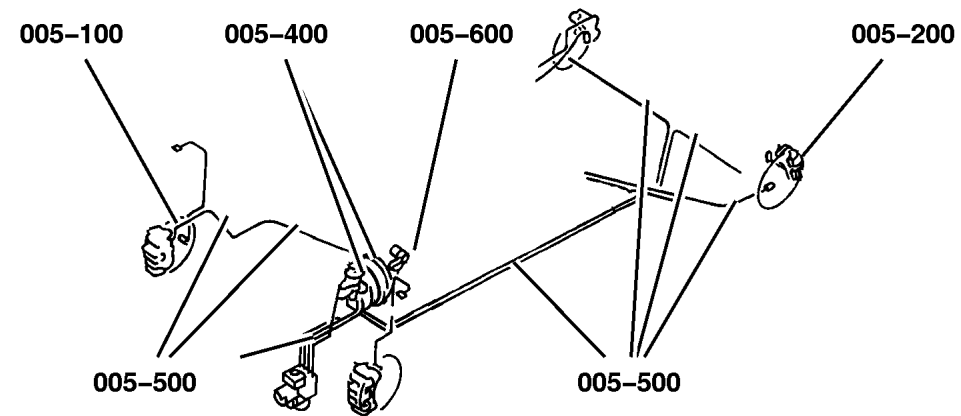
Brakes Lines, Left Front and Rear, RHD and LHD Wj Fig. 005-560

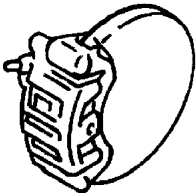
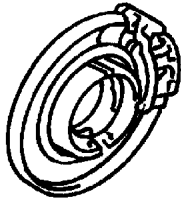
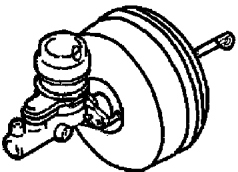
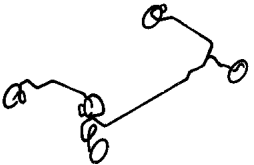

Front Brake Hose Wj Fig. 005-570

Rear Brake Lines and Hoses Wj Fig. 005-580

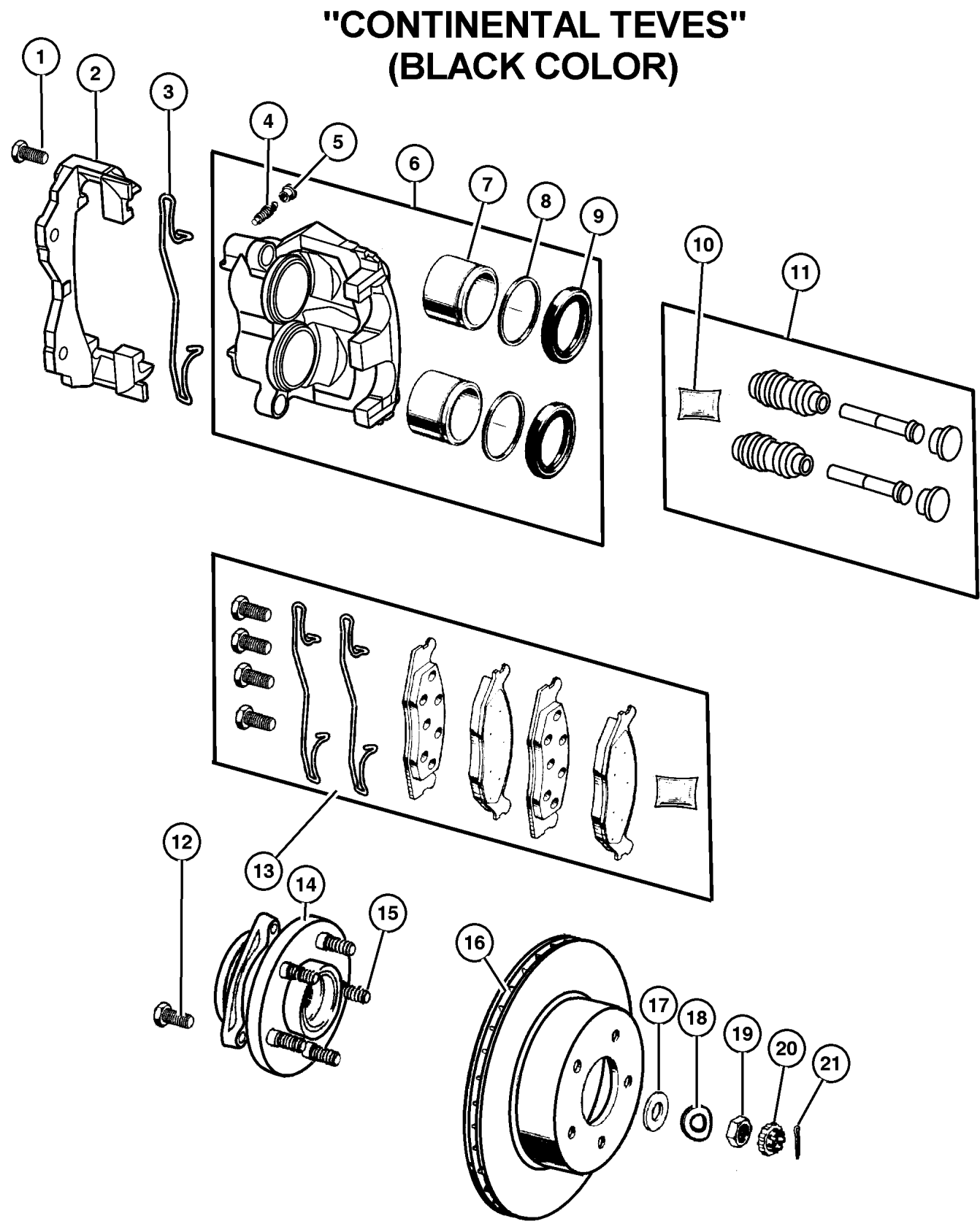
Brake Pedals

Brake Pedal & Bracket Wj Fig. 005-605



<p>005-100 Front Brakes</p> 	<p>005-200 Rear Brakes</p> 	<p>005-400 Brake Master Cylinder</p> 	<p>005-500 Brake Lines and Hoses</p> 
<p>005-600 Brake Pedals</p> 			

**Front Disc Brake Caliper 'Continental Teves' and Rotor
Figure 005-110**



ITEM	PART NUMBER	QTY	LINE	BODY	DESCRIPTION
1					BOLT
	5012 437AA	4	J		Caliper Bracket, Mounting
		4	T		Caliper Bracket, Mounting
		4	U		Caliper Bracket, Mounting
2					BRACKET
	5011 979AA	1	J		Caliper, Mounting
		1	T		Caliper, Mounting
		1	U		Caliper, Mounting
3					SPRING, Brake Shoe Hold Down
	5011 971AA	1	J		
		1	T		
		1	U		
4					BLEEDER SCREW, Brake
	4126 879	1	J		
		1	T		
		1	U		
5					CAP, Bleeder
	4126 733	1	J		
		1	T		
		1	U		
6					CALIPER, Disc Brake
	5011 972AA	1	J		Right
	5011 973AA	1	J		Left
	5011 972AA	1	T		Right
	5011 973AA	1	T		Left
	5011 972AA	1	U		Right
	5011 973AA	1	U		Left
7					PISTON, Brake
	5011 983AA	2	J		
		2	T		
		2	U		
8					SEAL, Caliper Piston
	5011 984AA	2	J		
		2	T		
		2	U		
9					BOOT, Brake Piston
	5011 985AA	2	J		
		2	T		
		2	U		
10	5011 987AA	1			GREASE, Packet
11					PIN KIT, Disc Brake
	5011 981AA	1	J		

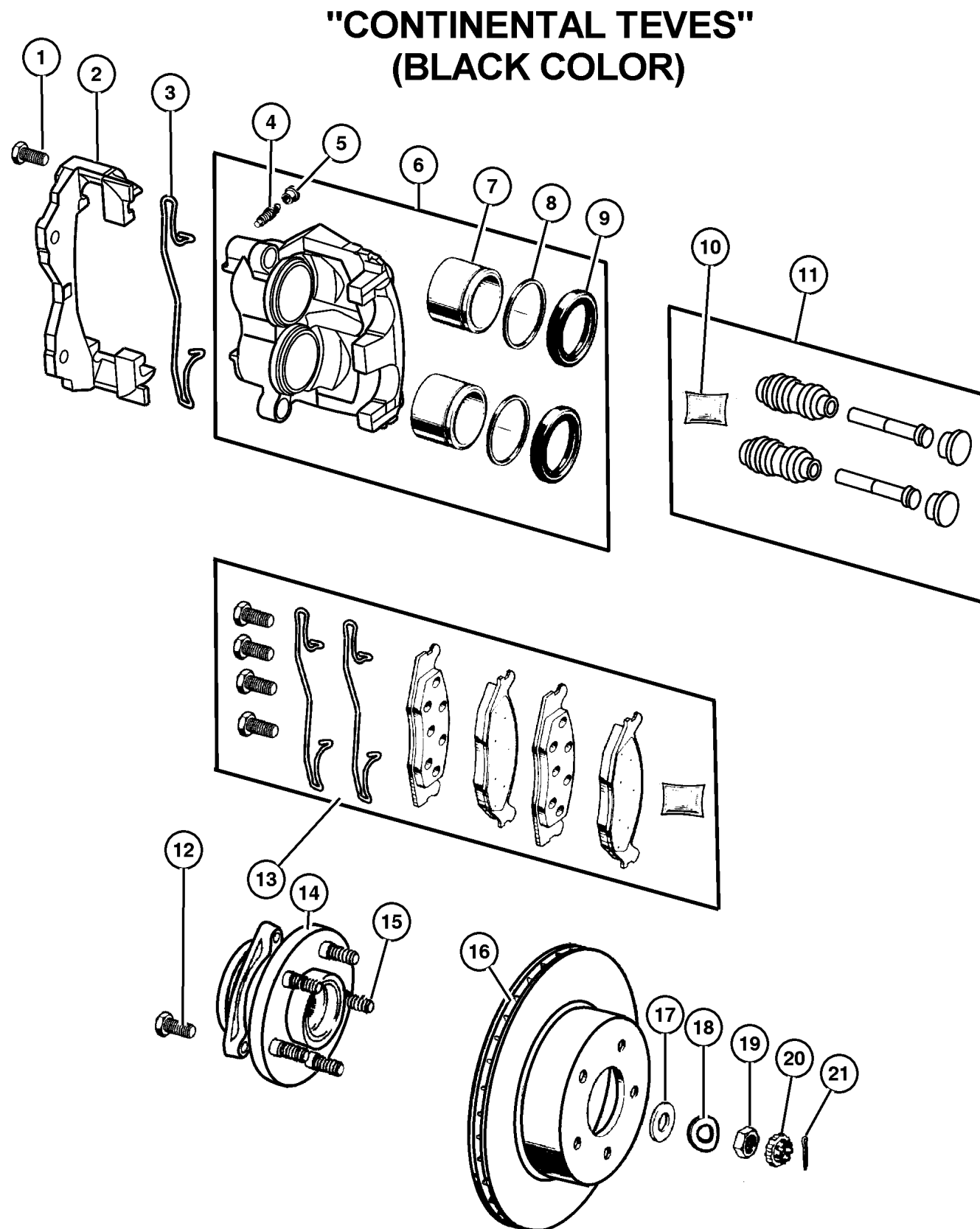
JEEP GRAND CHEROKEE (WJ)

SERIES	LINE	BODY	ENGINE	TRANSMISSION
H=Laredo	J = 4WD	74 = 4 Door(105.9 WB)	ER0, ERH = 4.0L, Power Tech I-6	DGK = 4 Speed Autm, 42RE
P=Limited	T = 2WD		EV0, EVA = 4.7L, Power Tech V8	DGW = 4 Speed Automatic, -44RE
	U = 4WD (RHD)		EXA, EX0 = 3.1L, 5 Cyl Turbo Diesel	DG4 = Multi Speed Automatic, -45RFE
				DGO = All Automatic

AR = Use as required - = Non illustrated part # = New this model year

April 3, 2002

**Front Disc Brake Caliper 'Continental Teves' and Rotor
Figure 005-110**



ITEM	PART NUMBER	QTY	LINE	BODY	DESCRIPTION
		1	T		
		1	U		
12	5012 436AA	6	J		BOLT Hub and Bearing, Mounting
		6	T		Hub and Bearing, Mounting
		6	U		Hub and Bearing, Mounting
13	5018 592AA	1	J		PAD KIT, Front Disc Brake
		1	T		
		1	U		
14	52098 679AB	2	J		HUB AND BEARING, Brake
		2	T		
		2	U		
15	6036 388AA	5	J		BOLT, Hub and Rotor
		5	T		Wheel, Mounting
		5	U		Wheel, Mounting
16	5209 8672	2	J		ROTOR, Brake
		2	T		
		2	U		
17	J420 0096	2	J		WASHER, Flat
		2	T		
		2	U		
18	4740 749	2	J		WASHER, Wave
		2	T		
		2	U		
19	J420 0095	2	J		NUT, Hex
		2	T		
		2	U		
20	J420 0097	2	J		RETAINER, Hub Nut
		2	T		
		2	U		
21	1101 0069	2	J		PIN, Cotter, M4x40.00
		2	T		
		2	U		

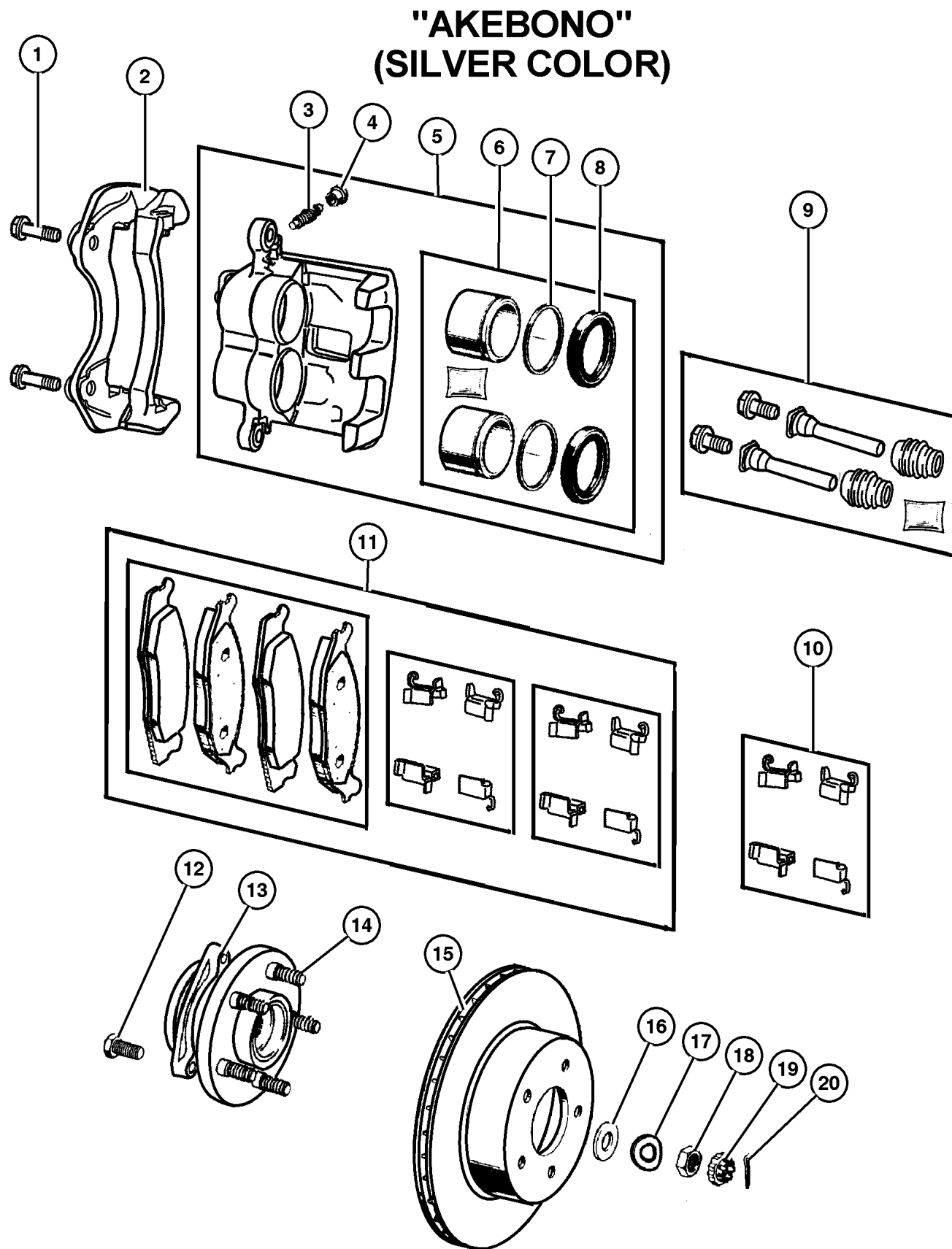
JEEP GRAND CHEROKEE (WJ)

SERIES	LINE	BODY	ENGINE	TRANSMISSION
H=Laredo	J = 4WD	74 = 4 Door(105.9 WB)	ER0, ERH = 4.0L, Power Tech I-6	DGK = 4 Speed Autm, 42RE
P=Limited	T = 2WD		EV0, EVA = 4.7L, Power Tech V8	DGW = 4 Speed Automatic, -44RE
	U = 4WD (RHD)		EXA, EX0 = 3.1L, 5 Cyl Turbo Diesel	DG4 = Multi Speed Automatic, -45RFE
				DGO = All Automatic

AR = Use as required - = Non illustrated part # = New this model year

April 3, 2002

**Front Disc Brake Caliper 'Akebono' and Rotor
Figure 005-120**



ITEM	PART NUMBER	QTY	LINE	BODY	DESCRIPTION
1					BOLT
	5012 437AA	4	J		Caliper Bracket, Mounting
		4	T		Caliper Bracket, Mounting
		4	U		Caliper Bracket, Mounting
2					BRACKET
	5093 182AA	1	J		Caliper, Mounting
		1	T		Caliper, Mounting
		1	U		Caliper, Mounting
3					BLEEDER SCREW, Brake
	5093 189AA	1	J		
		1	T		
		1	U		
4					CAP, Bleeder
	5093 190AA	1	J		
		1	T		
		1	U		
5					CALIPER, Disc Brake
	5093 180AA	1	J		Right
	5093 181AA	1	J		Left
	5093 180AA	1	T		Right
	5093 181AA	1	T		Left
	5093 180AA	1	U		Right
	5093 181AA	1	U		Left
6					PISTON KIT, Front Brake
	5093 186AA	1	J		
		1	T		
		1	U		
7					SEAL, Caliper Piston
	5093 187AA	2	J		
		2	T		
		2	U		
8					BOOT, Brake Piston
	5093 188AA	2	J		
		2	T		
		2	U		
9					PIN KIT, Disc Brake
	5093 184AA	1	J		
		1	T		
		1	U		
10					SPRING KIT, Brake Shoe Hold Down
	5093 185AA	2	J		
		2	T		

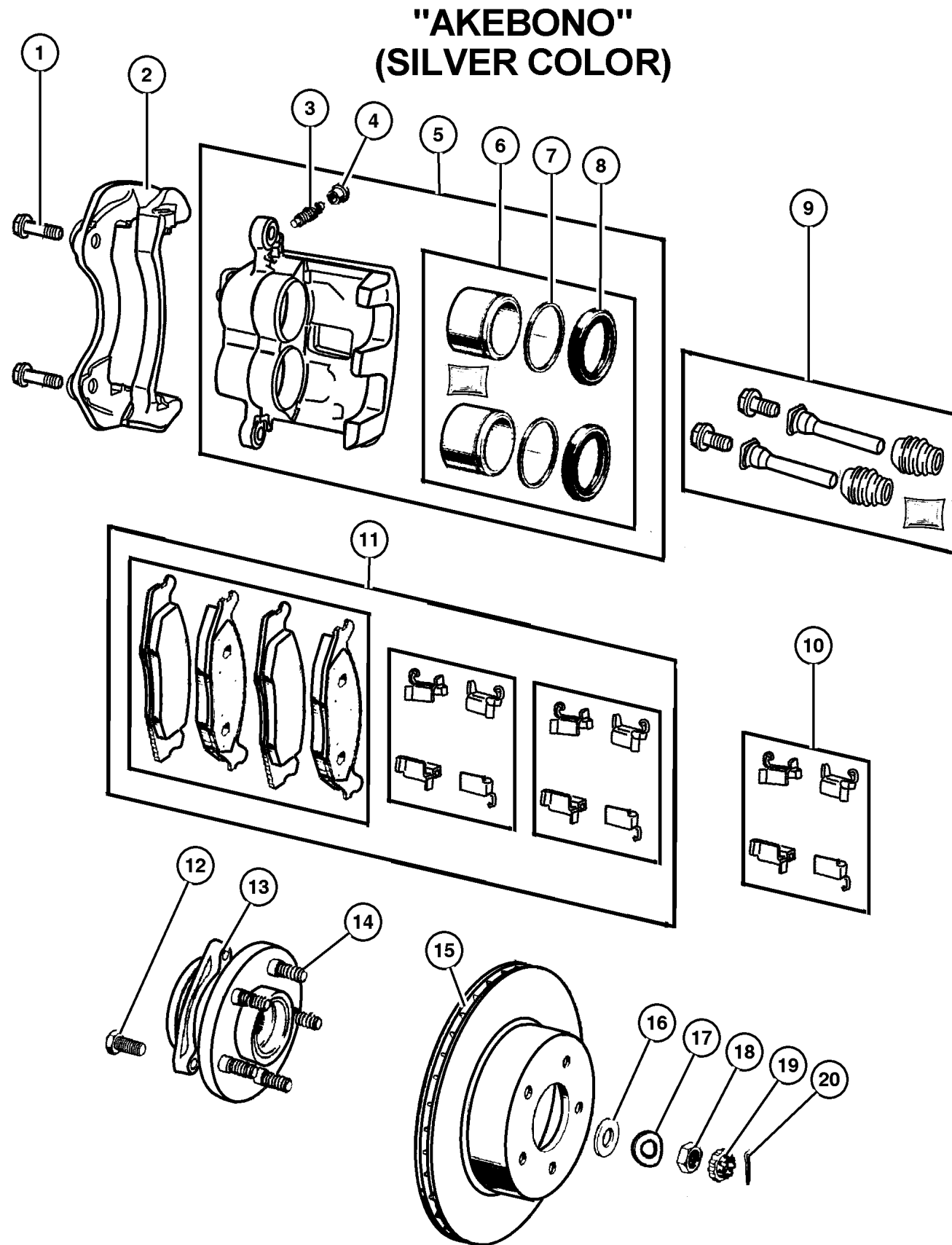
JEEP GRAND CHEROKEE (WJ)

SERIES	LINE	BODY	ENGINE	TRANSMISSION
H=Laredo	J = 4WD	74 = 4 Door(105.9 WB)	ER0, ERH = 4.0L, Power Tech I-6	DGK = 4 Speed Autm, 42RE
P=Limited	T = 2WD		EV0, EVA = 4.7L, Power Tech V8	DGW = 4 Speed Automatic, -44RE
	U = 4WD (RHD)		EXA, EX0 = 3.1L, 5 Cyl Turbo Diesel	DG4 = Multi Speed Automatic, -45RFE
				DGO = All Automatic

AR = Use as required - = Non illustrated part # = New this model year

April 3, 2002

**Front Disc Brake Caliper 'Akebono' and Rotor
Figure 005-120**



ITEM	PART NUMBER	QTY	LINE	BODY	DESCRIPTION
		2	U		
11					PAD KIT, Front Disc Brake
	5093 183AA	1	J		
	5093 260AA	1	T		
	5093 260AA	1	U		
12					BOLT
	5012 436AA	6	J		Hub and Bearing, Mounting
		6	T		Hub and Bearing, Mounting
		6	U		Hub and Bearing, Mounting
13					HUB AND BEARING, Brake
	52098 679AD	2	J		
		2	T		
		2	U		
14					BOLT, Hub and Rotor
	6036 388AA	5	J		Wheel, Mounting
		5	T		Wheel, Mounting
		2	U		Wheel, Mounting
15					ROTOR, Brake
	5209 8672	2	J		
		2	T		
		2	U		
16					WASHER, Flat
	J420 0096	2	J		
		2	T		
		2	U		
17					WASHER, Wave
	4740 749	2	J		
		2	T		
		2	U		
18					NUT, Hex
	J420 0095	2	J		
		2	T		
		2	U		
19					RETAINER, Hub Nut
	J420 0097	2	J		
		2	T		
		2	U		
20					PIN, Cotter, M4x40.00
	1101 0069	2	J		
		2	T		
		2	U		

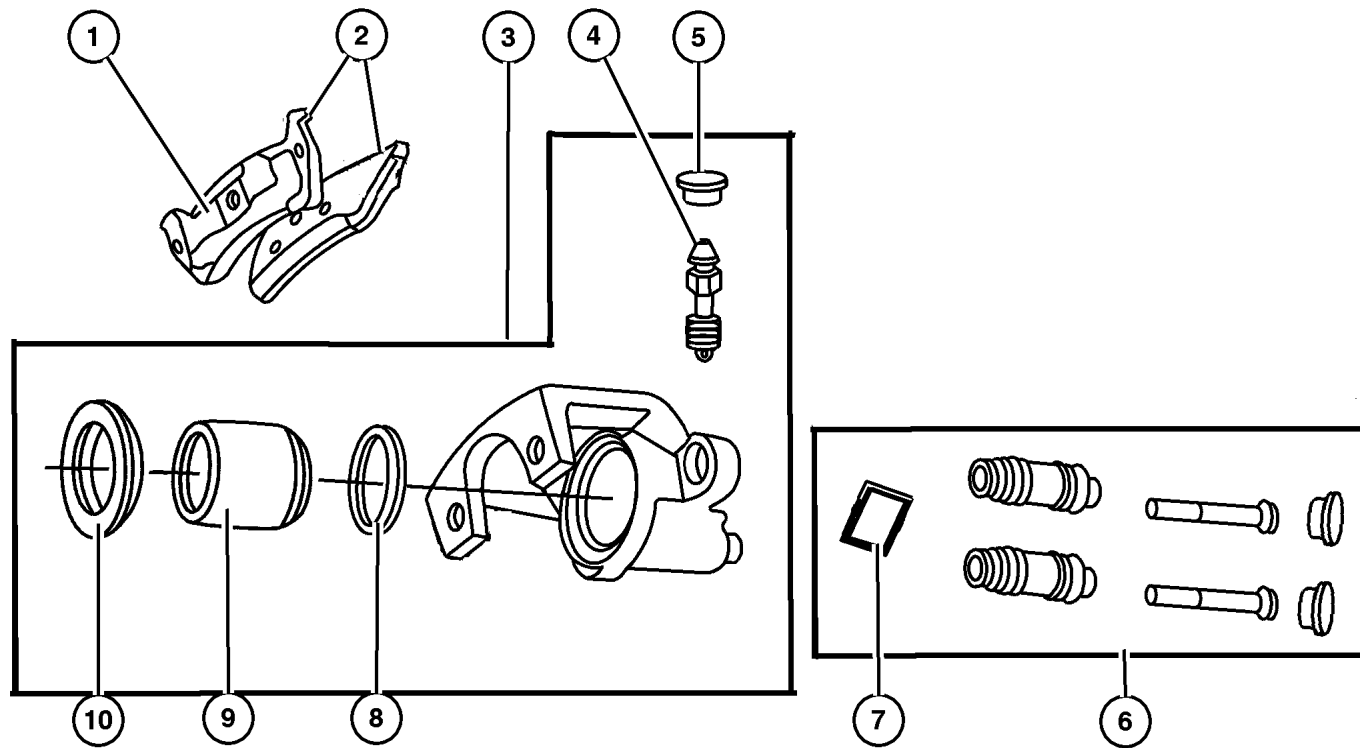
JEEP GRAND CHEROKEE (WJ)

SERIES	LINE	BODY	ENGINE	TRANSMISSION
H=Laredo	J = 4WD	74 = 4 Door(105.9 WB)	ER0, ERH = 4.0L, Power Tech I-6	DGK = 4 Speed Autm, 42RE
P=Limited	T = 2WD		EVO, EVA = 4.7L, Power Tech V8	DGW = 4 Speed Automatic, -44RE
	U = 4WD (RHD)		EXA, EX0 = 3.1L, 5 Cyl Turbo Diesel	DG4 = Multi Speed Automatic, -45RFE
				DGO = All Automatic

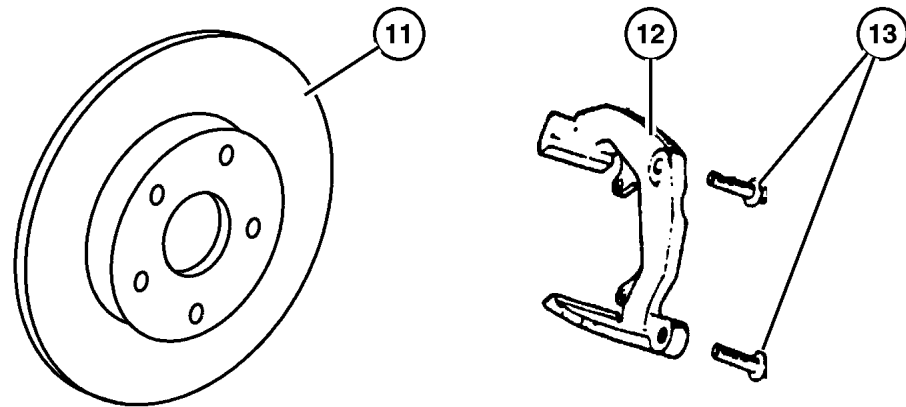
AR = Use as required - = Non illustrated part # = New this model year

April 3, 2002

Rear Disc Brake Caliper
Figure 005-210



ITEM	PART NUMBER	QTY	LINE	BODY	DESCRIPTION
Note:ER0= All 4.0L 6 Cylinder Engines---EV0= All 4.7L V-8 Gas Engines WD-Right Hand Drive---B=2 WD-Right Hand Drive					
1	5011 978AA	1			SPRING, Brake Shoe Hold Down
2	5011 970AA	1			PAD KIT, Rear Disc Brake
3	5011 974AA	1			CALIPER, Disc Brake Right
	5011 975AA	1			Left
4	4126 879	1			BLEEDER SCREW, Brake
5	4126 733	1			CAP, Bleeder
6	5011 981AA	1			PIN KIT, Disc Brake
7	5011 987AA	1			GREASE, Packet
8	5011 984AA	1			SEAL, Caliper Piston
9	5011 983AA	1			PISTON, Brake
10	5011 985AA	1			BOOT, Brake Piston
11	5209 8666	2			ROTOR, Brake
12	5011 980AA	2			BRACKET, Right or Left
13	5012 437AA	4			BOLT
-14					SENSOR, Wheel Speed
	56041 308AA	1			Right
	56041 509AA	1			Left



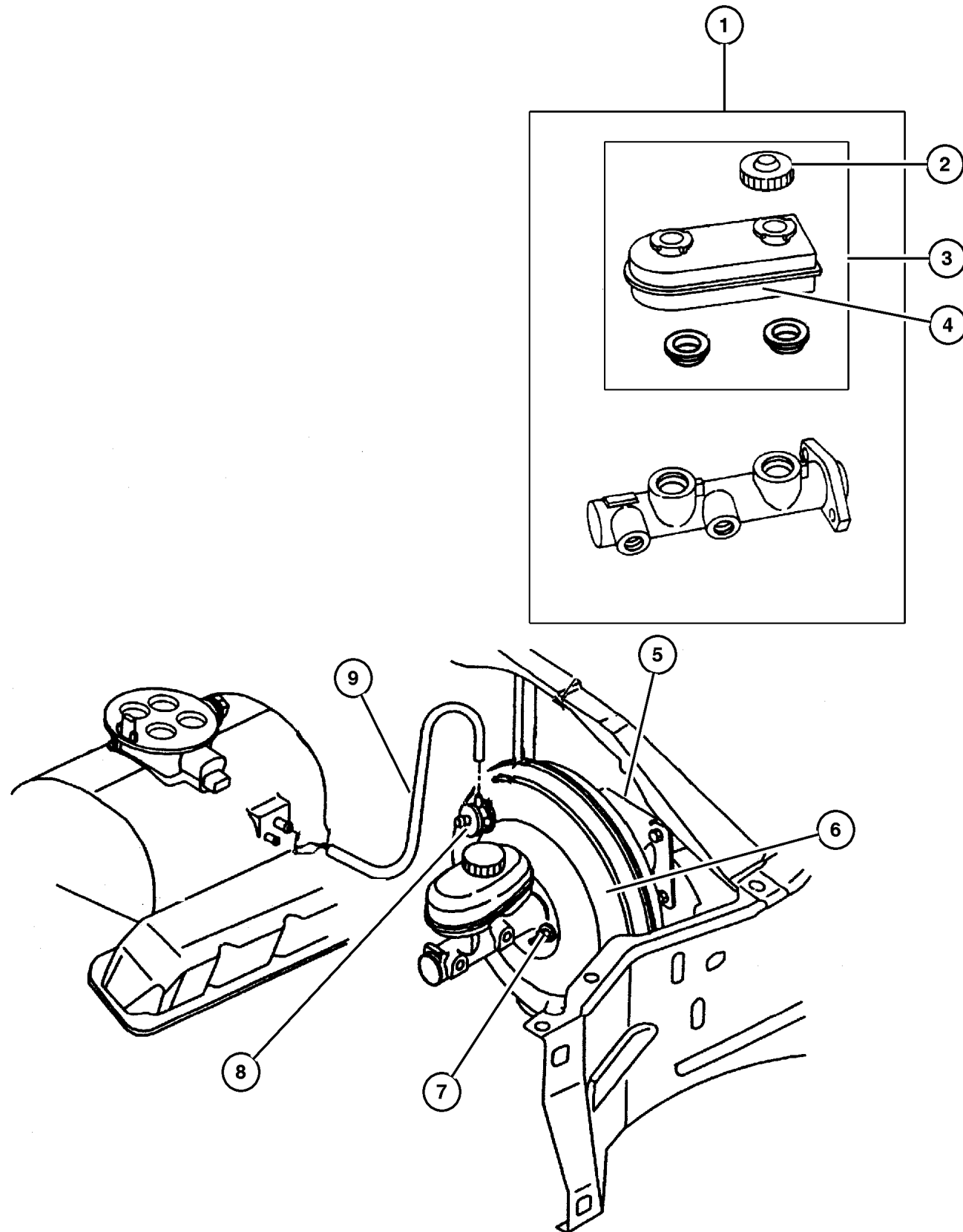
JEEP GRAND CHEROKEE (WJ)

SERIES	LINE	BODY	ENGINE	TRANSMISSION
H=Laredo	J = 4WD	74 = 4 Door(105.9 WB)	ER0, ERH = 4.0L, Power Tech I-6	DGK = 4 Speed Autm, 42RE
P=Limited	T = 2WD		EV0, EVA = 4.7L, Power Tech V8	DGW = 4 Speed Automatic, -44RE
	U = 4WD (RHD)		EXA, EX0 = 3.1L, 5 Cyl Turbo Diesel	DG4 = Multi Speed Automatic, -45RFE
				DGO = All Automatic

AR = Use as required - = Non illustrated part # = New this model year

April 3, 2002

Master Cylinder & Booster Wj
Figure 005-405



ITEM	PART NUMBER	QTY	LINE	BODY	DESCRIPTION
NOTES: ERO=4.0L Engine 6 Cylinder Gas, EVO=4.7L Gas, EXO =3.0/3.1L Turbo Diesel WD-Right Hand Drive---B=2 WD-Right Hand Drive					
1	5011 260AA	1			MASTER CYLINDER, Brake
2	5014 518AA	1			CAP, Master Cylinder Reservoir
3	5011 262AA	1			RESERVOIR, Brake Master Cylinder
4	5013 903AA	1			SENSOR, Brake Fluid Level
5	5012 506AA	1			GASKET, Booster to Dash Mounting
6	5011 261AA	1			BOOSTER, Power Brake
7	6101 467	2			NUT, Hex Flange, M8x1.25, Master Cylinder to Booster attaching Nut
8	5011 263AA	1			VALVE, Check, Elbow
9					HOSE, Brake Vacuum
	5212 8097	1	J, T		4.0L
	5212 8098	1	J, T		4.7L
	52128 181AB	1	J, T		3.0/3.1L
	52009 350AB	1	U		4.0L
	52128 299AB	1	U		4.7L
	#52128 182AB	1	U		3.0/3.1L
-10					TEE, Brake Vacuum
	4343 852	1	J, T		
		1	U		
-11	6100 517	4			NUT, Hex Flange Lock, M8 Phosphate, Booster to Dash Mounting

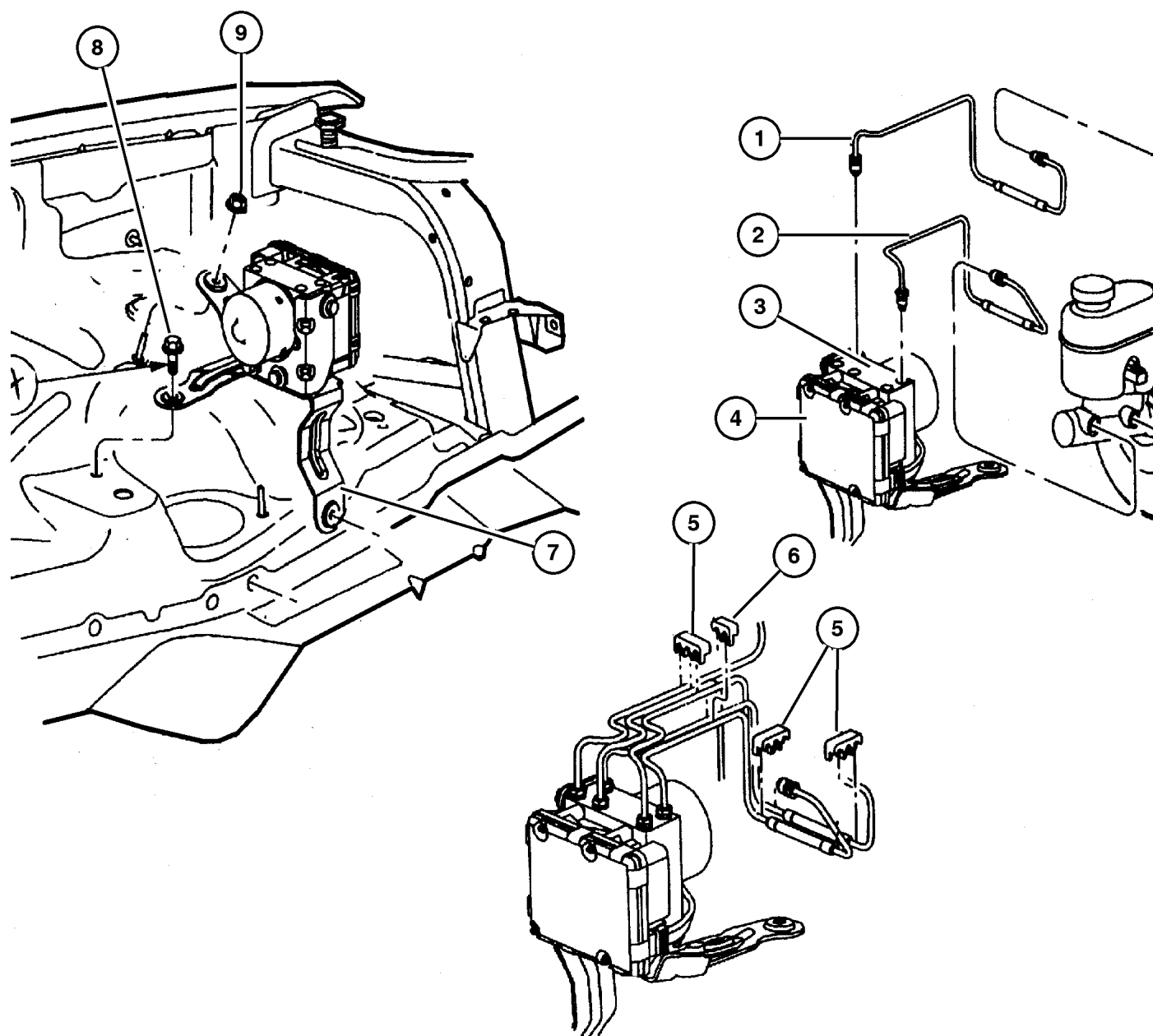
JEEP GRAND CHEROKEE (WJ)

SERIES	LINE	BODY	ENGINE	TRANSMISSION
H=Laredo	J = 4WD	74 = 4 Door(105.9 WB)	ERO, ERH = 4.0L, Power Tech I-6	DGK = 4 Speed Autm, 42RE
P=Limited	T = 2WD		EVO, EVA = 4.7L, Power Tech V8	DGW = 4 Speed Automatic, -44RE
	U = 4WD (RHD)		EXA, EX0 = 3.1L, 5 Cyl Turbo Diesel	DG4 = Multi Speed Automatic, -45RFE
				DGO = All Automatic

AR = Use as required - = Non illustrated part # = New this model year

April 3, 2002

Hydraulic Control Unit Wj Figure 005-410



ITEM	PART NUMBER	QTY	LINE	BODY	DESCRIPTION
Notes: ER0=4.0L 6 Cylinder Gas Engine---EV0=4.7L Gas Engine---EX0=3.0/3.1L Turbo Diesel Engine---ICU=Intergrated Control Unit WD-Right Hand Drive---B=2 WD-Right Hand Drive					
1					HOSE, Brake
	5212 8086	1	J, T		ERO,EVO, Primary
	5212 8208	1	J, T		EXO, Primary
	5212 8106	1	U		ERO,EVO, Primary
	5200 9349	1	U		EXO, Primary
2					HOSE, Brake
	5212 8087	1	J, T		ERO,EVO, Secondary
	5212 8209	1	J, T		EXO, Secondary
	5212 8107	1	U		ERO,EVO, Secondary
	5200 9347	1	U		EXO, Secondary
3	5011 259AA	1			CONTROL UNIT, Anti-Lock Brake
4	56041 022AG	1			MODULE, Anti-lock Brakes
5					CLIP, Brake Line
	5200 9163	4	J, T		3-Way Brake Tube Separation at ICU
		3	U		3-Way Brake Tube Separation at ICU
6	5200 8940	1			CLIP, Brake Line, 2-Way Brake Tube Separation
7					BRACKET, Hydraulic Control Unit
	5011 257AA	1			ERO,EVO
	5011 258AA	1			EXO
8	6505 923AA	2			BOLT, ICU Bracket Attaching
9	3420 1711	1			NUT, Hex Flange, M8x1.25, ICU Bracket Attaching

JEEP GRAND CHEROKEE (WJ)				
SERIES	LINE	BODY	ENGINE	TRANSMISSION
H=Laredo	J = 4WD	74 = 4 Door(105.9 WB)	ER0, ERH = 4.0L, Power Tech I-6	DGK = 4 Speed Autm, 42RE
P=Limited	T = 2WD		EV0, EVA = 4.7L, Power Tech V8	DGW = 4 Speed Automatic, -44RE
	U = 4WD (RHD)		EXA, EX0 = 3.1L, 5 Cyl Turbo Diesel	DG4 = Multi Speed Automatic, -45RFE
				DGO = All Automatic

AR = Use as required - = Non illustrated part # = New this model year

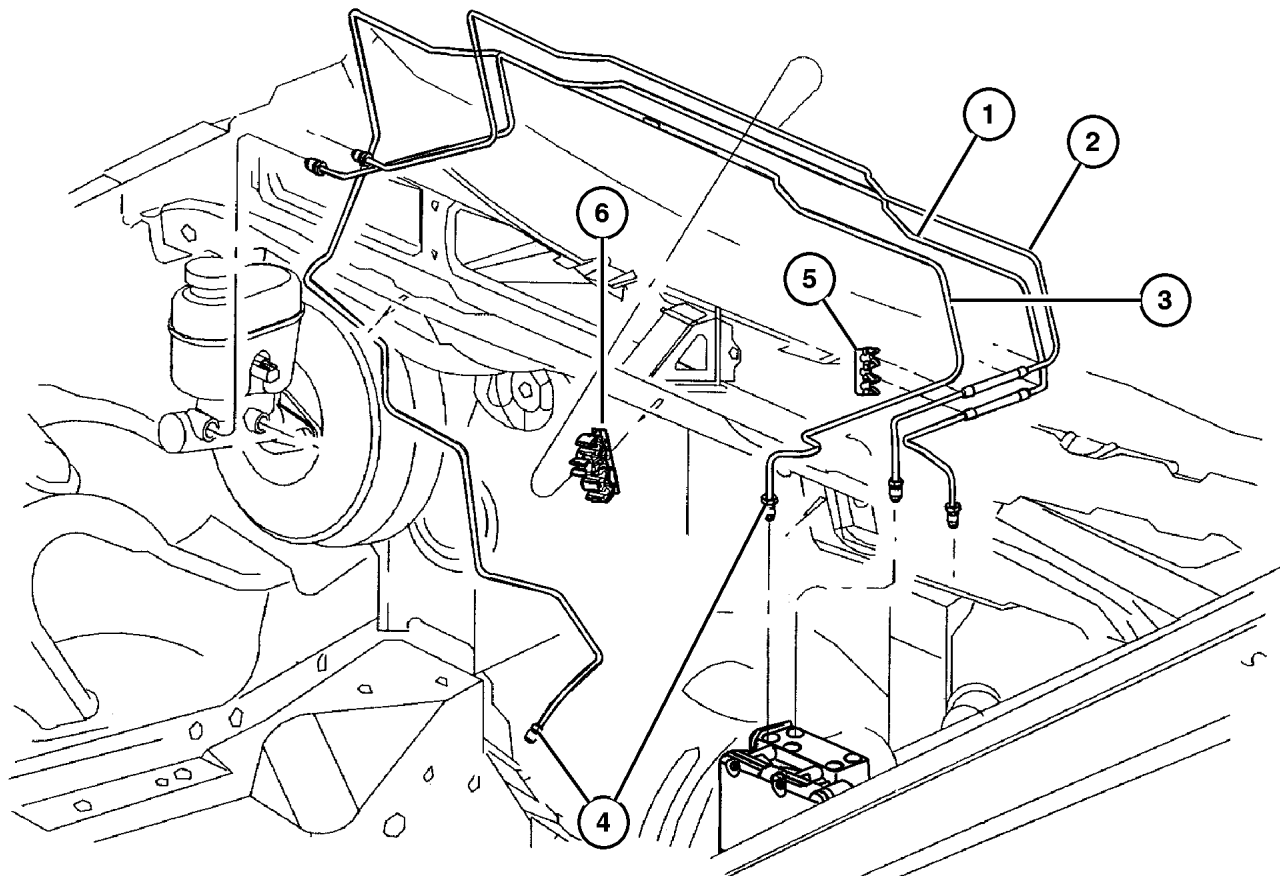
April 3, 2002

Brake Lines and Hoses,Right Front,RHD
Figure 005-510

ITEM	PART NUMBER	QTY	LINE	BODY	DESCRIPTION
------	-------------	-----	------	------	-------------

Note: ER0=4.0L 6 Cylinder---EV0=4.7L Gas Engine---EX0=3.0/3.01 Turbo Diesel WD-Right Hand Drive---B=2 WD-Right Hand Drive

1	5212 8106	1	U		HOSE, Brake ER0,EV0, Primary
	5200 9349	1	U		EX0, Primary
2	5212 8107	1	U		HOSE, Brake ER0,EV0, Secondary
	5200 9347	1	U		EX0, Secondary
3	52128 212AD	1	U		TUBE, Brake ER0,EV0, Right
	#52009 346AD	1	U		EX0, Right
4	6503 399	1	U		NUT, Brake Line
5	5200 9163	3	U		CLIP, Brake Line, Brake Tube Separation at ICU
6	5212 8211	3	U		CLIP, Brake Line, Brake Tube to Front Plenum



JEEP GRAND CHEROKEE (WJ)

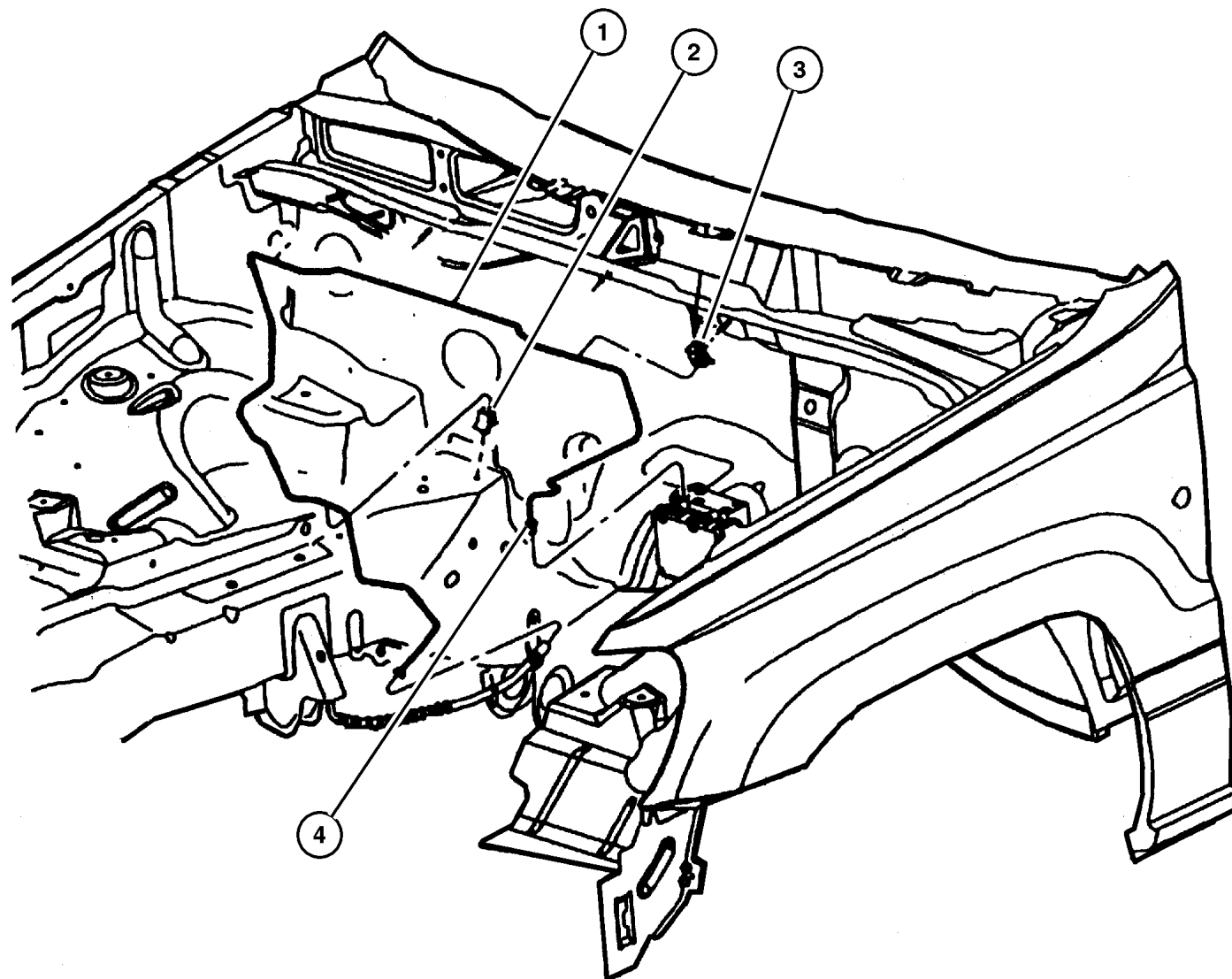
SERIES	LINE	BODY	ENGINE	TRANSMISSION
H=Laredo	J = 4WD	74 = 4 Door(105.9 WB)	ER0, ERH = 4.0L, Power Tech I-6	DGK = 4 Speed Autm, 42RE
P=Limited	T = 2WD		EV0, EVA = 4.7L, Power Tech V8	DGW = 4 Speed Automatic, -44RE
	U = 4WD (RHD)		EXA, EX0 = 3.1L, 5 Cyl Turbo Diesel	DG4 = Multi Speed Automatic, -45RFE
				DGO = All Automatic

AR = Use as required - = Non illustrated part # = New this model year

April 3, 2002

**Brake Lines, Right Front,LHD WJ
Figure 005-550**

ITEM	PART NUMBER	QTY	LINE	BODY	DESCRIPTION
Note:ER0=4.0L 6 Cylinder Gas---EV0=4.7L Engine Gas--- EX0 =3.0/3.L Turbo Diesel WD-Right Hand Drive---B=2 WD-Right Hand Drive					
1	52128 366AB	1	J, T		TUBE, Brake ER0,EV0, Right
	52128 367AB	1	J, T		EX0, Right
2	5200 9234	3			FASTENER, Push Pin
3	5212 8214	3	J, T		CLIP, Brake Line
4	6503 399	1	J, T		NUT, Brake Line



JEEP GRAND CHEROKEE (WJ)

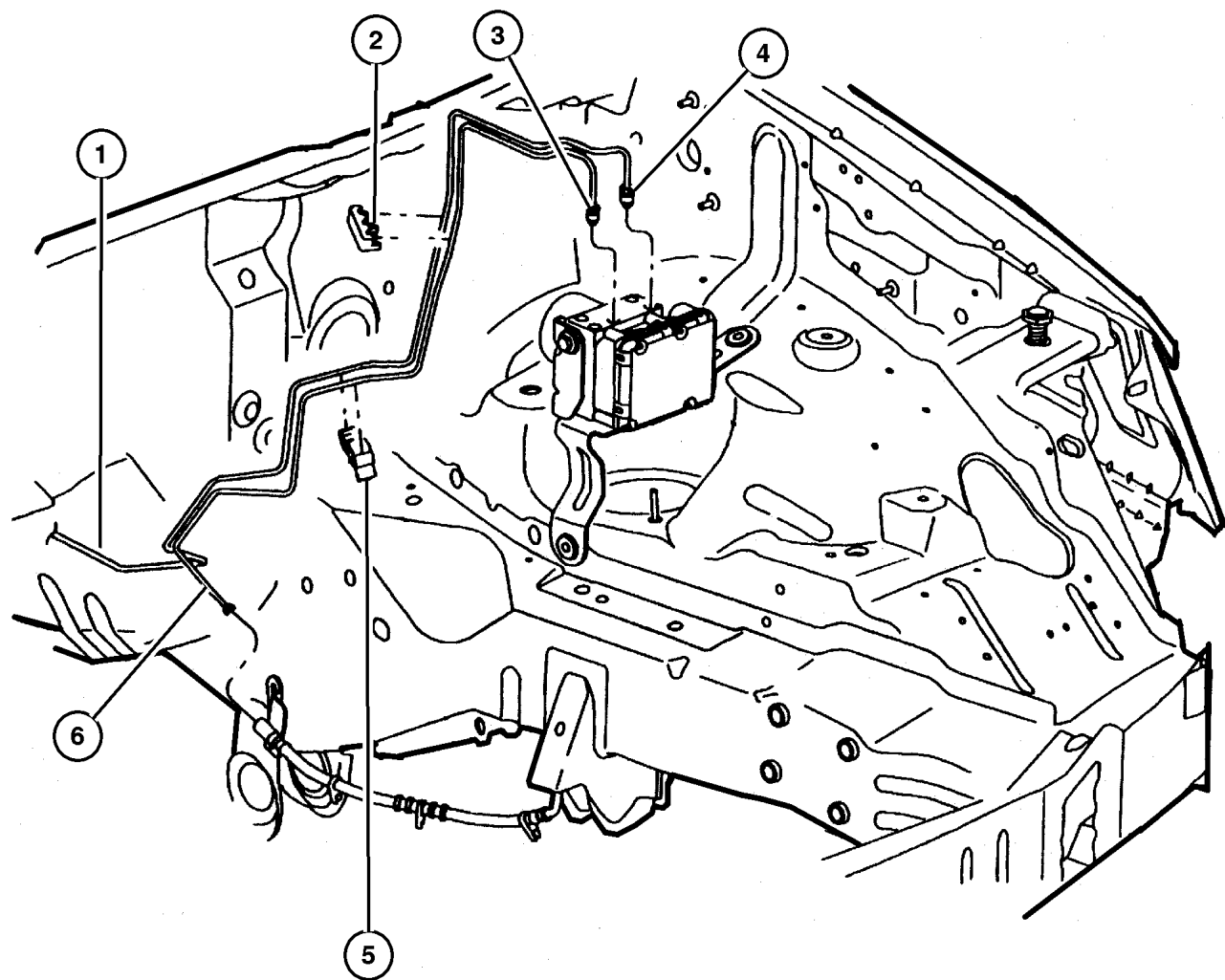
SERIES	LINE	BODY	ENGINE	TRANSMISSION
H=Laredo	J = 4WD	74 = 4 Door(105.9 WB)	ER0, ERH = 4.0L, Power Tech I-6	DGK = 4 Speed Autm, 42RE
P=Limited	T = 2WD		EV0, EVA = 4.7L, Power Tech V8	DGW = 4 Speed Automatic, -44RE
	U = 4WD (RHD)		EXA, EX0 = 3.1L, 5 Cyl Turbo Diesel	DG4 = Multi Speed Automatic, -45RFE
				DGO = All Automatic

AR = Use as required - = Non illustrated part # = New this model year

April 3, 2002

**Brakes Lines, Left Front and Rear, RHD and LHD Wj
Figure 005-560**

ITEM	PART NUMBER	QTY	LINE	BODY	DESCRIPTION
Note: ER0=4.0L 6 Cylinder Gas---EV0=4.7L Engine Gas---EX0 = 3.0/3.L Turbo Diesel WD-Right Hand Drive---B=2 WD-Right Hand Drive					
1	52128 074AB	1			TUBE, Brake ER0,EV0, Rear
	52128 202AB	1			EX0, Rear
2	5200 9163	4			CLIP, Brake Line
3	3200 0411	1			NUT, Brake Line
4	6503 707	1			NUT, Brake Line
5	52128 244AA	1			CLIP, Brake Line, ER0,EV0
6	52128 077AC	1			TUBE, Brake ER0,EV0, Left
	52009 341AC	1			EX0, Left

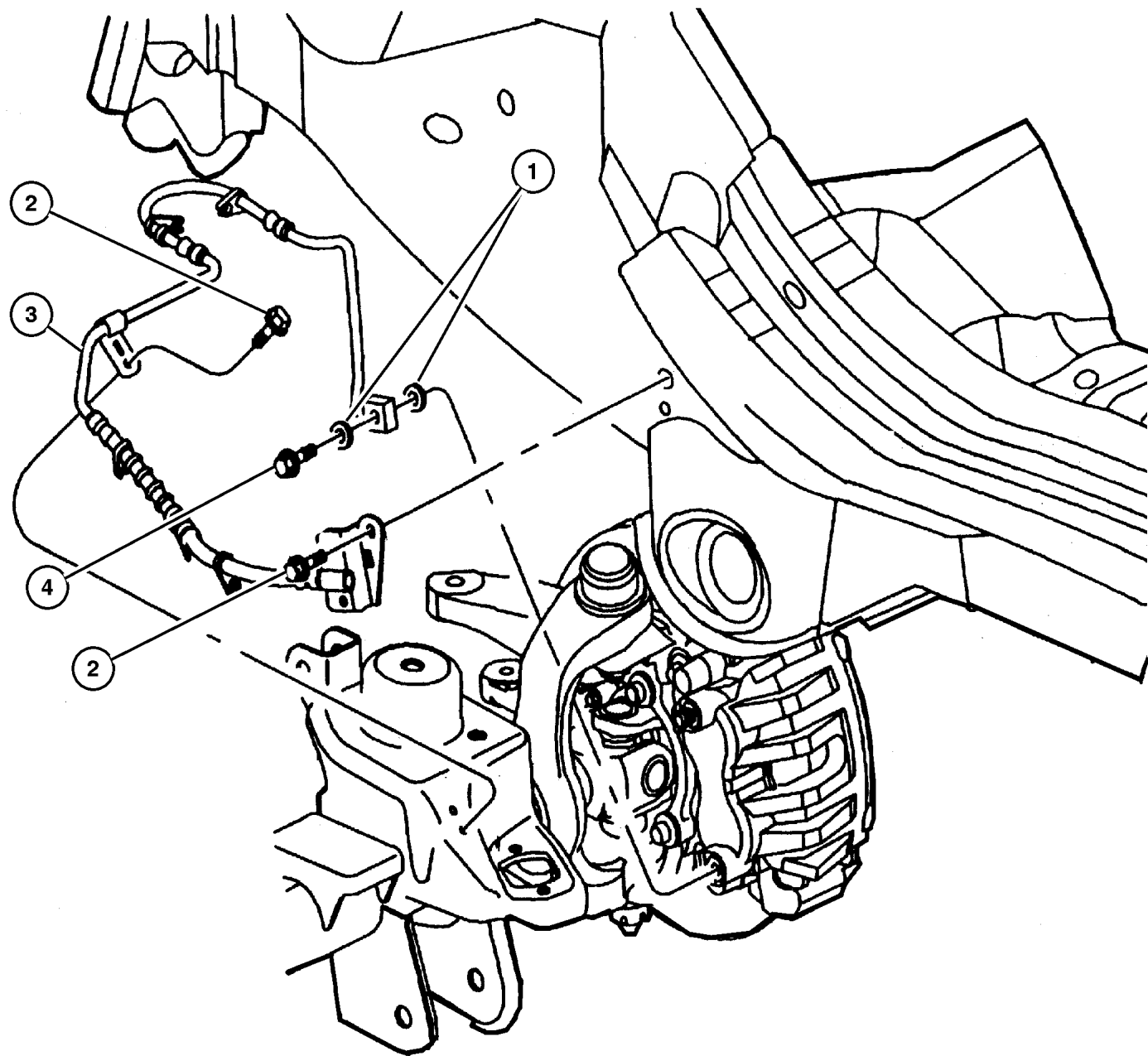


JEEP GRAND CHEROKEE (WJ)				
SERIES	LINE	BODY	ENGINE	TRANSMISSION
H=Laredo	J = 4WD	74 = 4 Door(105.9 WB)	ER0, ERH = 4.0L, Power Tech I-6	DGK = 4 Speed Autm, 42RE
P=Limited	T = 2WD		EV0, EVA = 4.7L, Power Tech V8	DGW = 4 Speed Automatic, -44RE
	U = 4WD (RHD)		EXA, EX0 = 3.1L, 5 Cyl Turbo Diesel	DG4 = Multi Speed Automatic, -45RFE
				DGO = All Automatic

AR = Use as required - = Non illustrated part # = New this model year

April 3, 2002

Front Brake Hose Wj
Figure 005-570



ITEM	PART NUMBER	QTY	LINE	BODY	DESCRIPTION
1	J323 7672	4			GASKET, Brake Hose To Caliper
2					SCREW, Hex Flange Head, M6x1.00x20.00, (NOT SERVICED)
3					HOSE, Brake
	52128 092AB	1			Right
	52128 093AB	1			Left
4	J400 6700	4			BOLT, Hex Head, .375-24x1.03 Grade 8, Brake Hose to Caliper Mounting

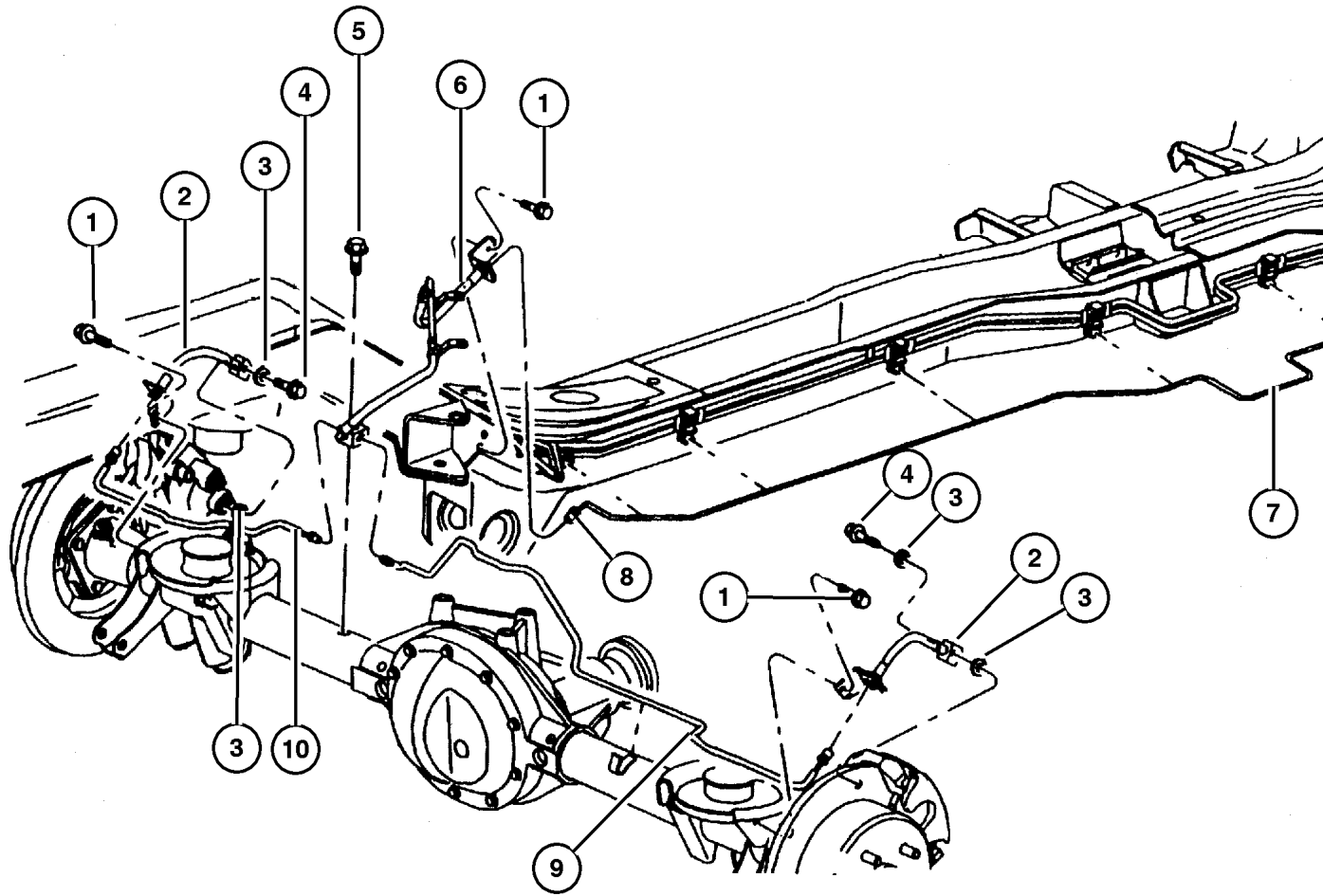
JEEP GRAND CHEROKEE (WJ)

SERIES	LINE	BODY	ENGINE	TRANSMISSION
H=Laredo	J = 4WD	74 = 4 Door(105.9 WB)	ER0, ERH = 4.0L, Power Tech I-6	DGK = 4 Speed Autm, 42RE
P=Limited	T = 2WD		EV0, EVA = 4.7L, Power Tech V8	DGW = 4 Speed Automatic, -44RE
	U = 4WD (RHD)		EXA, EX0 = 3.1L, 5 Cyl Turbo Diesel	DG4 = Multi Speed Automatic, -45RFE
				DGO = All Automatic

AR = Use as required - = Non illustrated part # = New this model year

April 3, 2002

Rear Brake Lines and Hoses Wj
Figure 005-580



ITEM	PART NUMBER	QTY	LINE	BODY	DESCRIPTION
Note: DRM=Dana 35 Axle---DRK= Dana 44 Axle WD-Right Hand Drive---B=2 WD-Right Hand Drive					
1					SCREW, Hex Flange Head, M6x1.00x20.00, Rear Brake Hose Mounting, (NOT SERVICED)
2					HOSE, Brake Right
	5212 8094	1			Right
	5212 8095	1			Left
3	J323 7672	8			GASKET, Brake Hose To Caliper
4	J400 6700	4			BOLT, Hex Head, .375-24x1.03 Grade 8, Brake Hose to Caliper Mounting
5	4137 696	1			SCREW, Brake Tee, .437-20x2.07
6	52128 096AB	1			HOSE, Brake, with Tee to Rear Brake Tube, Rear
7					TUBE, Brake EX0, Rear
	52128 202AB	1			ER0,EV0, Rear
	52128 074AB	1			Left
8	6503 707	1			NUT, Brake Line
9					TUBE, Brake
	5212 8078	1			with DRM-Axle Tee to Right Brake (Upto and Including 03/12/00), Right
	52128 439AA	1			with DRM,DRK (03/13/00 and After, Right
	5200 9336	1			with DRK-Axle Tee to Right Brake, Right
10	52009 353AB	1			TUBE, Brake, Axle Tee to Left Brake, Left
-11					SENSOR, Wheel Speed
	56041 308AA	1			Right
	56041 509AA	1			Left

JEEP GRAND CHEROKEE (WJ)

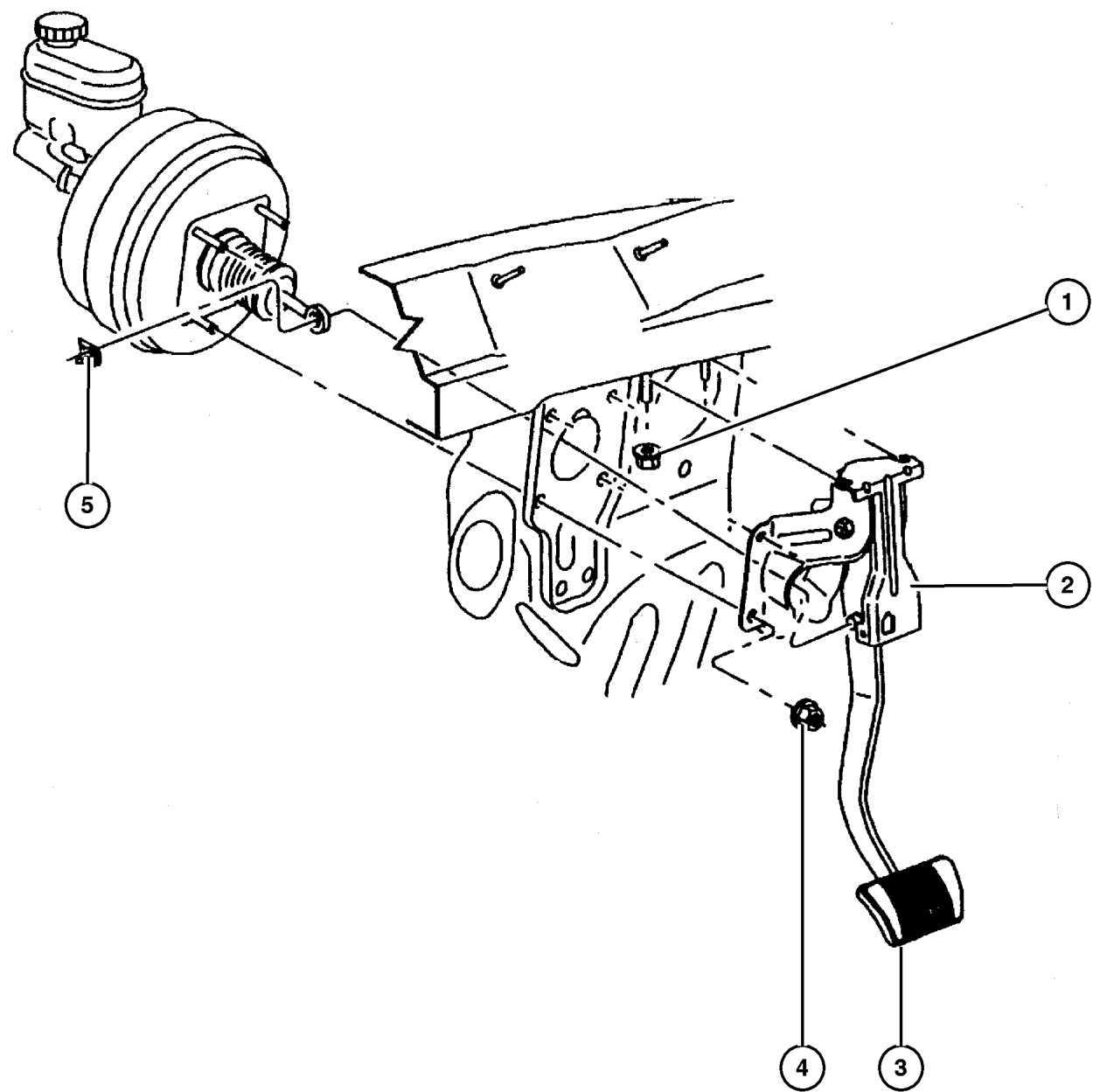
SERIES	LINE	BODY	ENGINE	TRANSMISSION
H=Laredo	J = 4WD	74 = 4 Door(105.9 WB)	ER0, ERH = 4.0L, Power Tech I-6	DGK = 4 Speed Autm, 42RE
P=Limited	T = 2WD		EV0, EVA = 4.7L, Power Tech V8	DGW = 4 Speed Automatic, -44RE
	U = 4WD (RHD)		EXA, EX0 = 3.1L, 5 Cyl Turbo Diesel	DG4 = Multi Speed Automatic, -45RFE
				DGO = All Automatic

AR = Use as required - = Non illustrated part # = New this model year

April 3, 2002

Brake Pedal & Bracket Wj Figure 005-605

ITEM	PART NUMBER	QTY	LINE	BODY	DESCRIPTION
Note: T=2 Wheel Drive Left Hand Drive---J=4 Wheel Drive Left Hand Drive---U=4 Wheel Drive Right Hand Drive WD-Right Hand Drive---B=2 WD-Right Hand Drive					
1	6100 517	2			NUT, Hex Flange Lock, M8 Phosphate, Pedal Braket to Dash Mounting
2					PEDAL, Brake
	52128 148AC	1	J, T		
	52128 274AC	1	U		
3					PAD, Pedal
	4779 027	1	J, T		
	5200 9562	1	U		
4	6100 517	4			NUT, Hex Flange Lock, M8 Phosphate, Booster Mounting
5	6035 334	1			CLIP, Brake Push Rod



JEEP GRAND CHEROKEE (WJ)				
SERIES	LINE	BODY	ENGINE	TRANSMISSION
H=Laredo	J = 4WD	74 = 4 Door(105.9 WB)	ER0, ERH = 4.0L, Power Tech I-6	DGK = 4 Speed Autm, 42RE
P=Limited	T = 2WD		EVO, EVA = 4.7L, Power Tech V8	DGW = 4 Speed Automatic, -44RE
	U = 4WD (RHD)		EXA, EX0 = 3.1L, 5 Cyl Turbo Diesel	DG4 = Multi Speed Automatic, -45RFE
				DGO = All Automatic

AR = Use as required - = Non illustrated part # = New this model year

April 3, 2002

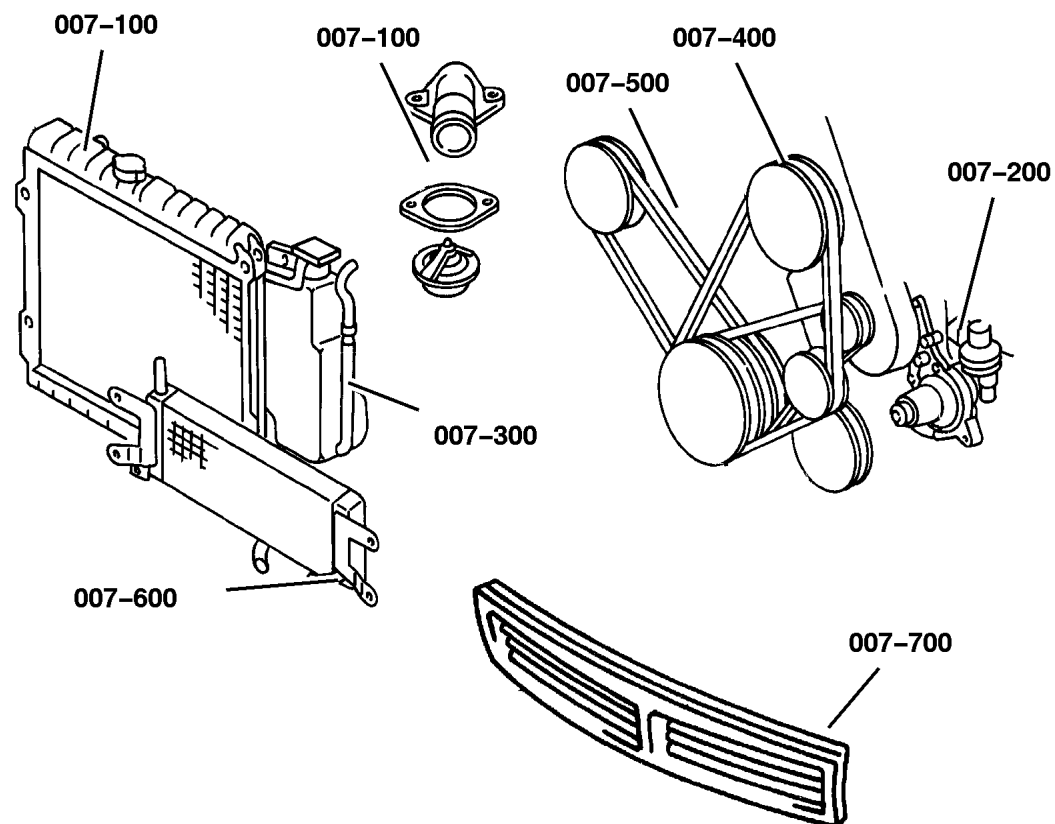
Group – 007

Cooling

GROUP 7 - Cooling

Illustration Title

Group-Fig. No.



Radiator and Related Parts

Radiator and Related Parts 4.0L Engine	Fig. 007-150
Radiator and Related Parts 4.7L Engine	Fig. 007-160
Radiator and Related Parts, 3.1L Diesel Engine	Fig. 007-165
Radiator Upper Support	Fig. 007-170

Water Pump and Related Parts

Water Pump and Related Parts 4.0L Engine	Fig. 007-210
Water Pump and Related Parts 4.7L Engine	Fig. 007-220
Water Pump and Related Parts, 3.1L Diesel Engine	Fig. 007-230

Tank, Coolant Engine

Coolant Tank, 4.0,4.7L Engine	Fig. 007-310
Coolant Tank, 3.1 Diesel Engine	Fig. 007-320

Pulleys and Related Parts

Drive Pulleys 4.0L Engine	Fig. 007-420
Drive Pulleys 4.7L Engine	Fig. 007-430
Drive Pulleys, 3.1L Diesel Engine	Fig. 007-440

Drive Belts

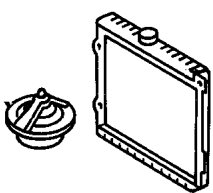
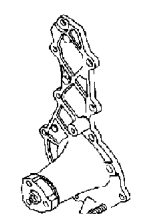
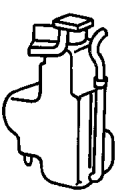
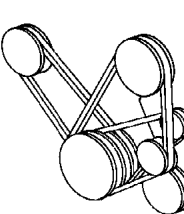
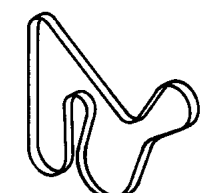
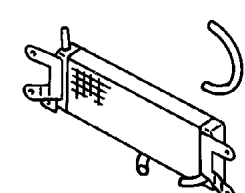
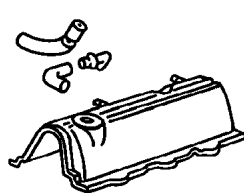
Drive Belts 4.0L and 4.7L Engines	Fig. 007-520
Drive Belts, 3.1L Diesel Engine	Fig. 007-530

Lines, Transmission Oil Cooler

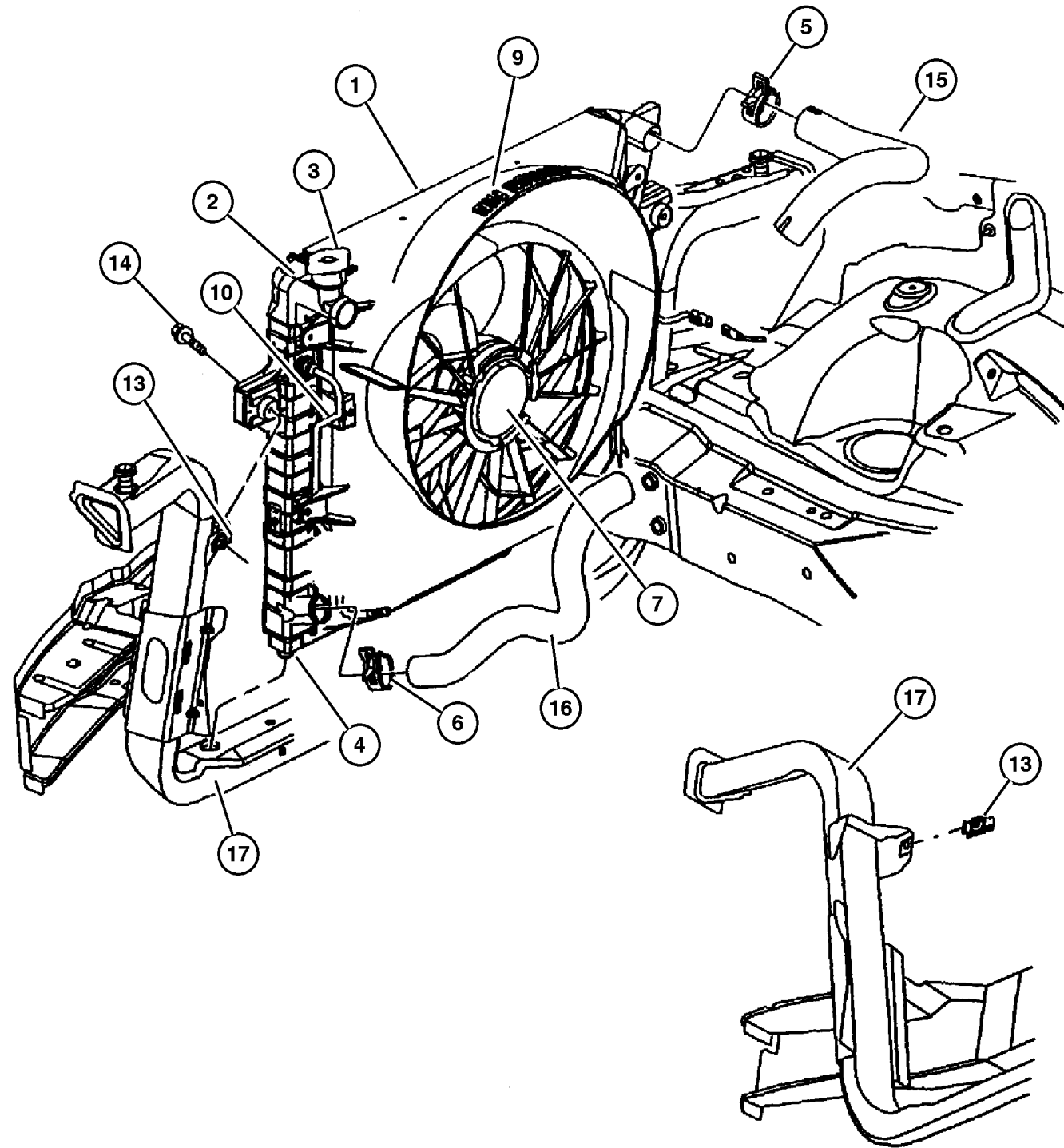
Oil Cooler and Lines 3.1, 4.0L Engines	Fig. 007-610
Oil Cooler and Lines 4.7L Engine	Fig. 007-620

Grilles

Grille and Related Parts	Fig. 007-720
--------------------------------	--------------

<p>007-100 Radiator and Related Parts</p> 	<p>007-200 Water Pump and Related Parts</p> 	<p>007-300 Tank, Coolant Engine</p> 	<p>007-400 Pulleys and Related Parts</p> 
<p>007-500 Drive Belts</p> 	<p>007-600 Lines, Transmission Oil Cooler</p> 	<p>007-700 Grilles</p> 	

Radiator and Related Parts 4.0L Engine Figure 007-150



ITEM	PART NUMBER	QTY	LINE	ENGINE	TRANS	DESCRIPTION
1	55115 918AB	1	U	ER0	DG0	CONDENSER, Air Conditioning
		1	J, T	ER0	DG0	
2	52079 428AB	1	U	ER0	DG0	RADIATOR, Engine Cooling
		1	J, T	ER0	DG0	
3	52079 799AA	1	U	ER0	DG0	CAP, Radiator
		1	J, T	ER0	DG0	
4	5207 9418	2	J, T	ER0	DG0	ISOLATOR, Radiator
		2	U	ER0	DG0	Right
	5207 9419	2	J, T	ER0	DG0	Right
		2	U	ER0	DG0	Left
		2	U	ER0	DG0	Left
5	52079 632AA	1	J, T	ER0	DG0	CLAMP, Oil Cooler Tube
		1	U	ER0	DG0	
6	52079 632AA	1	J, T	ER0	DG0	CLAMP, Oil Cooler Tube
		1	U	ER0	DG0	
7	5207 9528	1	J, T	ER0	DG0	FAN, Cooling
		1	U	ER0	DG0	Electric Module
	#52079 984AA	1		ER0		Engine Fan
-8	5207 9443	1		ER0		VISCOUS CLUTCH, Fan Drive
9	52079 489AB	1	J, T	ER0	DG0	SHROUD, Fan
		1	U	ER0	DG0	
10	52079 432AB	1	J, T	ER0	DG0	TUBE, Oil Cooler
		1	U	ER0	DG0	Pressure
	52079 753AB	1	J, T	ER0	DG0	Pressure
		1	U	ER0	DG0	Return
		1	U	ER0	DG0	Return
-11	5207 9430	1	J, T	ER0	DG0	SEAL, Radiator Condenser
		1	U	ER0	DG0	
-12	5511 5922	1	J, T	ER0	DG0	SEAL, Radiator
		1	U	ER0	DG0	Right
	5511 5923	1	J, T	ER0	DG0	Right
		1	U	ER0	DG0	Left

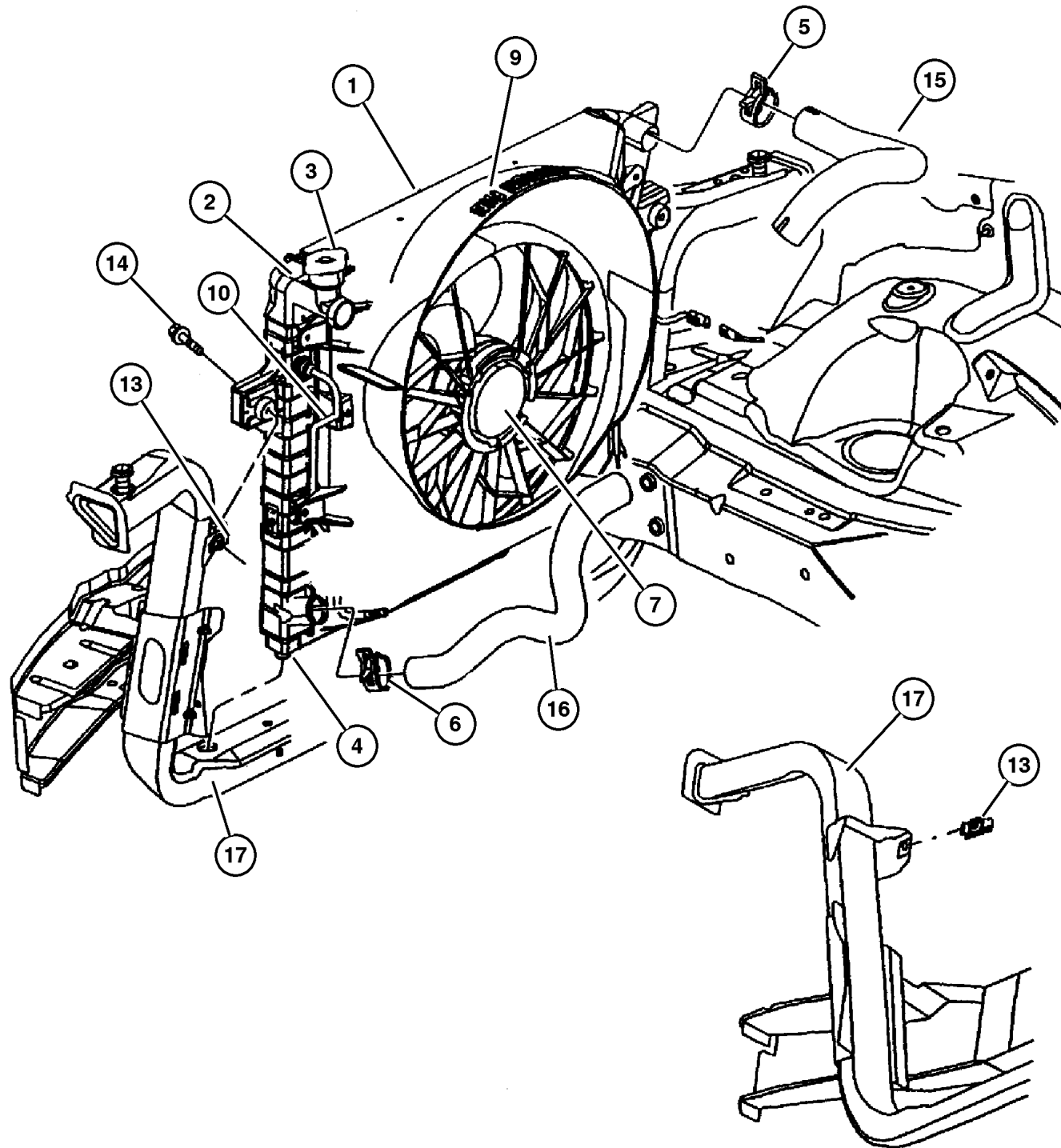
JEEP GRAND CHEROKEE (WJ)

SERIES	LINE	BODY	ENGINE	TRANSMISSION
H=Laredo	J = 4WD	74 = 4 Door(105.9 WB)	ER0, ERH = 4.0L, Power Tech I-6	DGK = 4 Speed Autm, 42RE
P=Limited	T = 2WD		EV0, EVA = 4.7L, Power Tech V8	DGW = 4 Speed Automatic, -44RE
	U = 4WD (RHD)		EXA, EX0 = 3.1L, 5 Cyl Turbo Diesel	DG4 = Multi Speed Automatic, -45RFE
				DGO = All Automatic

AR = Use as required - = Non illustrated part # = New this model year

April 3, 2002

Radiator and Related Parts 4.0L Engine
Figure 007-150



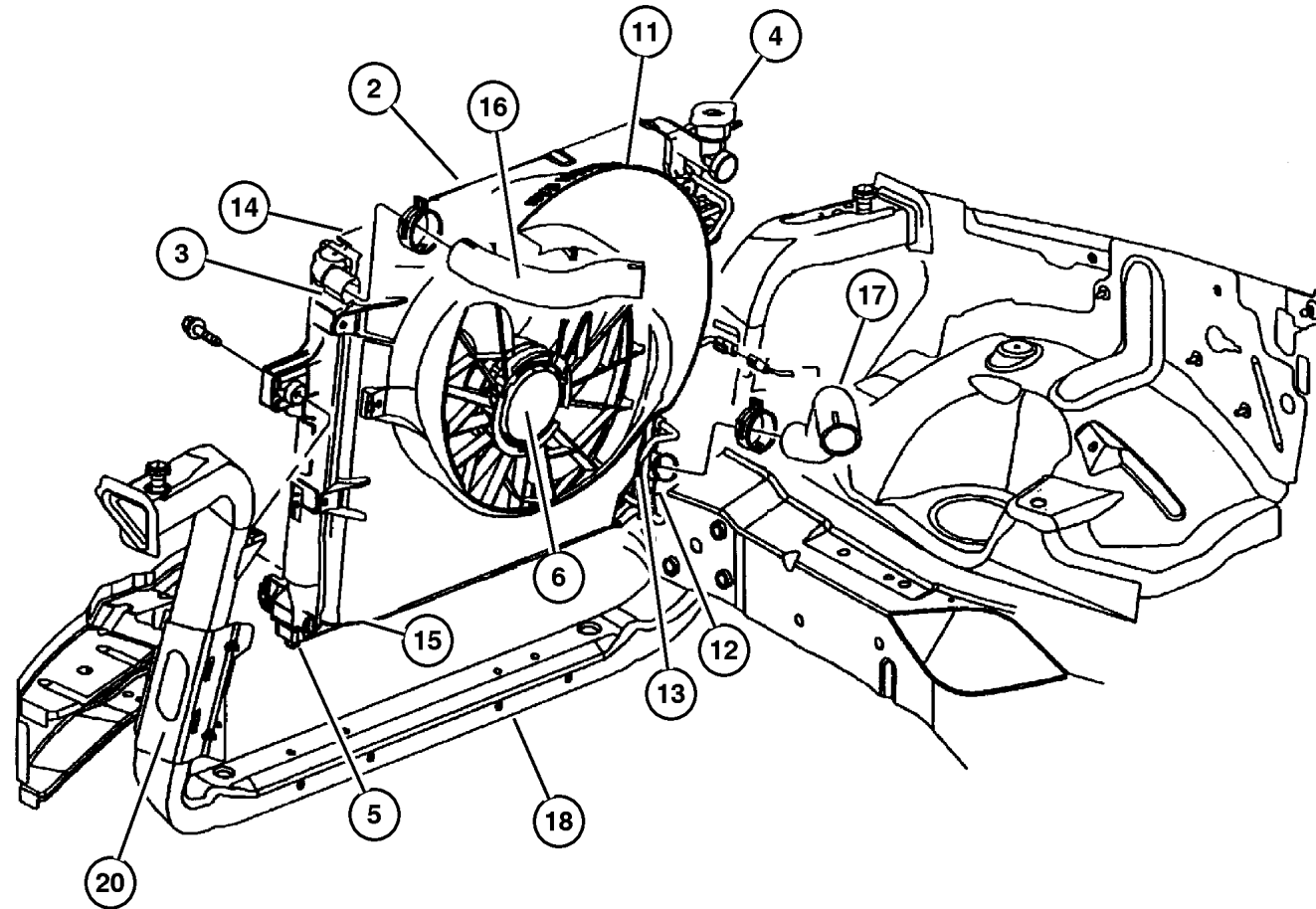
ITEM	PART NUMBER	QTY	LINE	ENGINE	TRANS	DESCRIPTION
		1	U	ER0	DG0	Left
13						U-NUT, M6x1.00
	6505 172AA	4	J, T	ER0	DG0	
		4	U	ER0	DG0	
14						SCREW AND WASHER, Hex Head, M6x1x20
	6102 117AA	4	J, T	ER0	DG0	
		4	U	ER0	DG0	
15	52079 406AC	1		ER0		HOSE, Radiator Inlet
16	5207 9401	1		ER0		HOSE, Radiator Outlet
17	5513 5870	1				CROSSMEMBER, Radiator
-18	53020 547AB	1		ER0		GASKET, Thermostat
-19	5300 6192	1		ER0		HOUSING, Thermostat
-20	5202 8186	1		ER0		THERMOSTAT, 195 Degrees

JEEP GRAND CHEROKEE (WJ)				
SERIES	LINE	BODY	ENGINE	TRANSMISSION
H=Laredo	J = 4WD	74 = 4 Door(105.9 WB)	ER0, ERH = 4.0L, Power Tech I-6	DGK = 4 Speed Autm, 42RE
P=Limited	T = 2WD		EV0, EVA = 4.7L, Power Tech V8	DGW = 4 Speed Automatic, -44RE
	U = 4WD (RHD)		EXA, EX0 = 3.1L, 5 Cyl Turbo Diesel	DG4 = Multi Speed Automatic, -45RFE
				DGO = All Automatic

AR = Use as required - = Non illustrated part # = New this model year

April 3, 2002

Radiator and Related Parts 4.7L Engine Figure 007-160



ITEM	PART NUMBER	QTY	LINE	ENGINE	TRANS	DESCRIPTION
Note: Sales Code EV0 = 4.7L Engine WD-Right Hand Drive---B=2 WD-Right Hand Drive						
Note: Sales Code DG4 = Multi - Speed Auto Trans. WD-Right Hand Drive---B=2 WD-Right Hand Drive						
Note: Sales Code DG0 = All Automatic Transmissions WD-Right Hand Drive---B=2 WD-Right Hand Drive						
-1						COOLER, Auxiliary Oil
	52079 414AB	1	J, T	EV0	DG0	
		1	U	EV0	DG0	
2						CONDENSER, Air Conditioning
	55115 918AB	1	J, T	EV0	DG0	
		1	U	EV0	DG0	
3						RADIATOR, Engine Cooling
	52079 425AB	1	J, T	EV0	DG0	
		1	U	EV0	DG0	
4						CAP, Radiator
	52079 778AA	1	J, T	EV0	DG0	
		1	U	EV0	DG0	
5						ISOLATOR, Radiator
	5207 9418	2	J, T	EV0	DG0	Right
		2	U	EV0	DG0	Right
	5207 9419	2	J, T	EV0	DG0	Left
		1	U	EV0	DG0	Left
6						FAN, Cooling
	5207 9528	1	J, T	EV0	DG0	Electric Module
		1	U	EV0	DG0	Electric Module
	52080 500AA	1		EV0		Engine Fan
-7	52079 438AB	1		EV0		VISCOUS CLUTCH, Fan Drive
-8	6034 860	4		EV0, EX0		BOLT AND WASHER, Implement Attaching
-9	52079 632AA	1		EV0	DG4	CLAMP, Oil Cooler Tube
-10	52079 631AA	1		EV0	DG4	CLAMP, Oil Cooler Tube
11						SHROUD, Fan
	52079 491AB	1	J, T	EV0	DG0	
		1	U	EV0	DG0	
12						TUBE, Oil Cooler
	52079 436AC	1	J, T	EV0	DG0	
		1	U	EV0	DG0	
13						TUBE, Oil Cooler
	52079 433AB	1	J, T	EV0	DG0	Pressure
		1	U	EV0	DG0	Pressure
	52079 435AB	1	J, T	EV0	DG0	Return
		1	U	EV0	DG0	Return
14						SEAL, Radiator Condenser
	5207 9430	1	J, T	EV0	DG0	

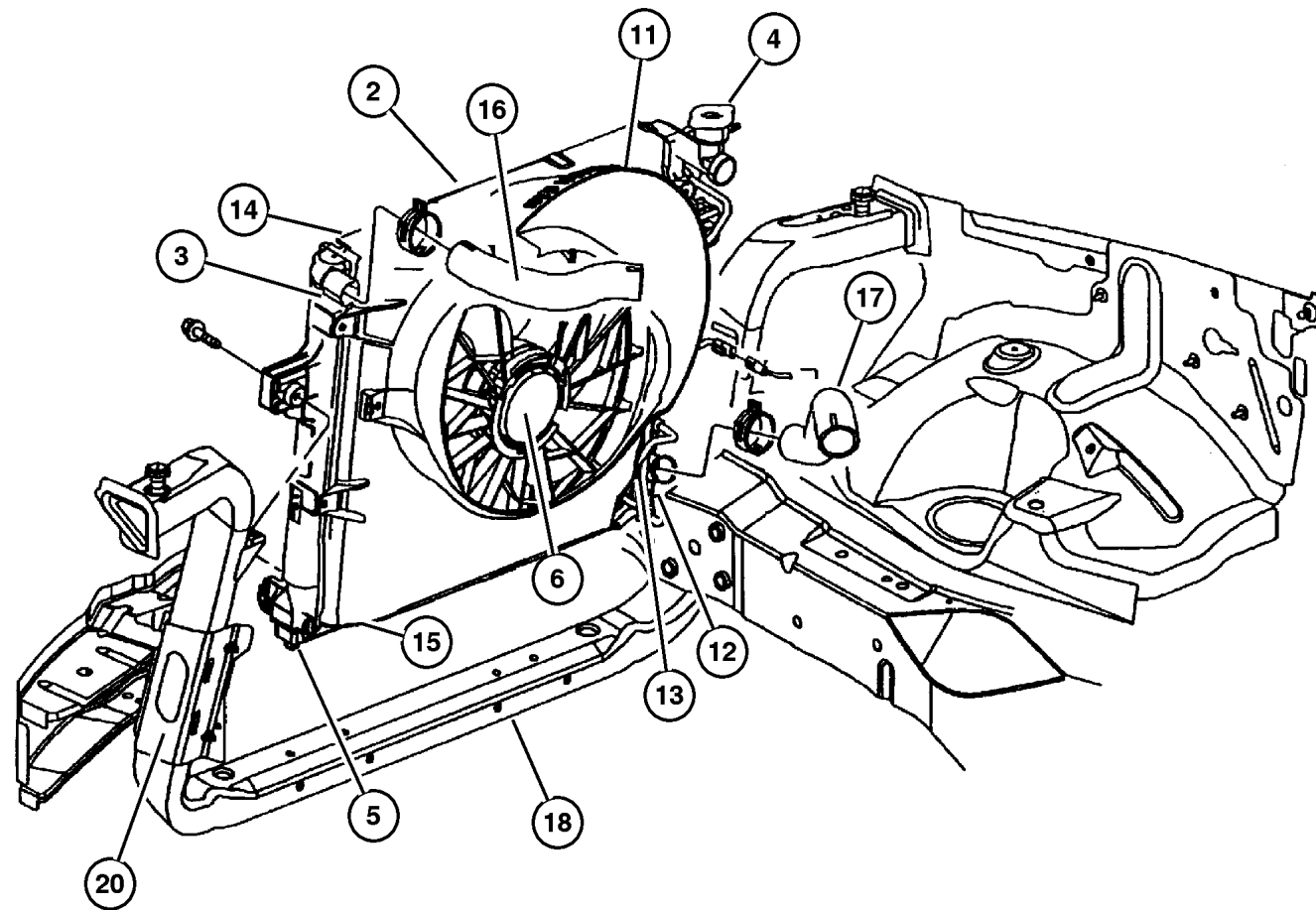
JEEP GRAND CHEROKEE (WJ)

SERIES	LINE	BODY	ENGINE	TRANSMISSION
H=Laredo	J = 4WD	74 = 4 Door(105.9 WB)	ER0, ERH = 4.0L, Power Tech I-6	DGK = 4 Speed Autm, 42RE
P=Limited	T = 2WD		EV0, EVA = 4.7L, Power Tech V8	DGW = 4 Speed Automatic, -44RE
	U = 4WD (RHD)		EXA, EX0 = 3.1L, 5 Cyl Turbo Diesel	DG4 = Multi Speed Automatic, -45RFE
				DGO = All Automatic

AR = Use as required - = Non illustrated part # = New this model year

April 3, 2002

Radiator and Related Parts 4.7L Engine
Figure 007-160



ITEM	PART NUMBER	QTY	LINE	ENGINE	TRANS	DESCRIPTION
		1	U	EVO	DG0	
15						SEAL, Radiator
	#55115 920AC	1	J, T	EVO	DG0	Right
	52079 831AA	1	J, T	EVO	DG0	Left
	#55115 920AC	1	U	EVO	DG0	Right
	52079 831AA	1	U	EVO	DG0	Left
16	5207 9407	1		EVO		HOSE, Radiator Inlet
17						HOSE, Radiator Outlet
	5207 9409	1	J, T	EVO		
	5207 9403	1	U	EVO		
18	5513 5870	1				CROSSMEMBER, Radiator
-19						DRAINCOCK, Radiator, 52028466, (NOT SERVICED)
20						BRACKET, Radiator
	5513 6170	1				Right
	5513 6171	1				Left

JEEP GRAND CHEROKEE (WJ)

SERIES	LINE	BODY	ENGINE	TRANSMISSION
H=Laredo	J = 4WD	74 = 4 Door(105.9 WB)	ER0, ERH = 4.0L, Power Tech I-6	DGK = 4 Speed Autm, 42RE
P=Limited	T = 2WD		EVO, EVA = 4.7L, Power Tech V8	DGW = 4 Speed Automatic, -44RE
	U = 4WD (RHD)		EXA, EX0 = 3.1L, 5 Cyl Turbo Diesel	DG4 = Multi Speed Automatic, -45RFE
				DGO = All Automatic

AR = Use as required - = Non illustrated part # = New this model year

April 3, 2002

Radiator and Related Parts, 3.1L Diesel Engine Figure 007-165

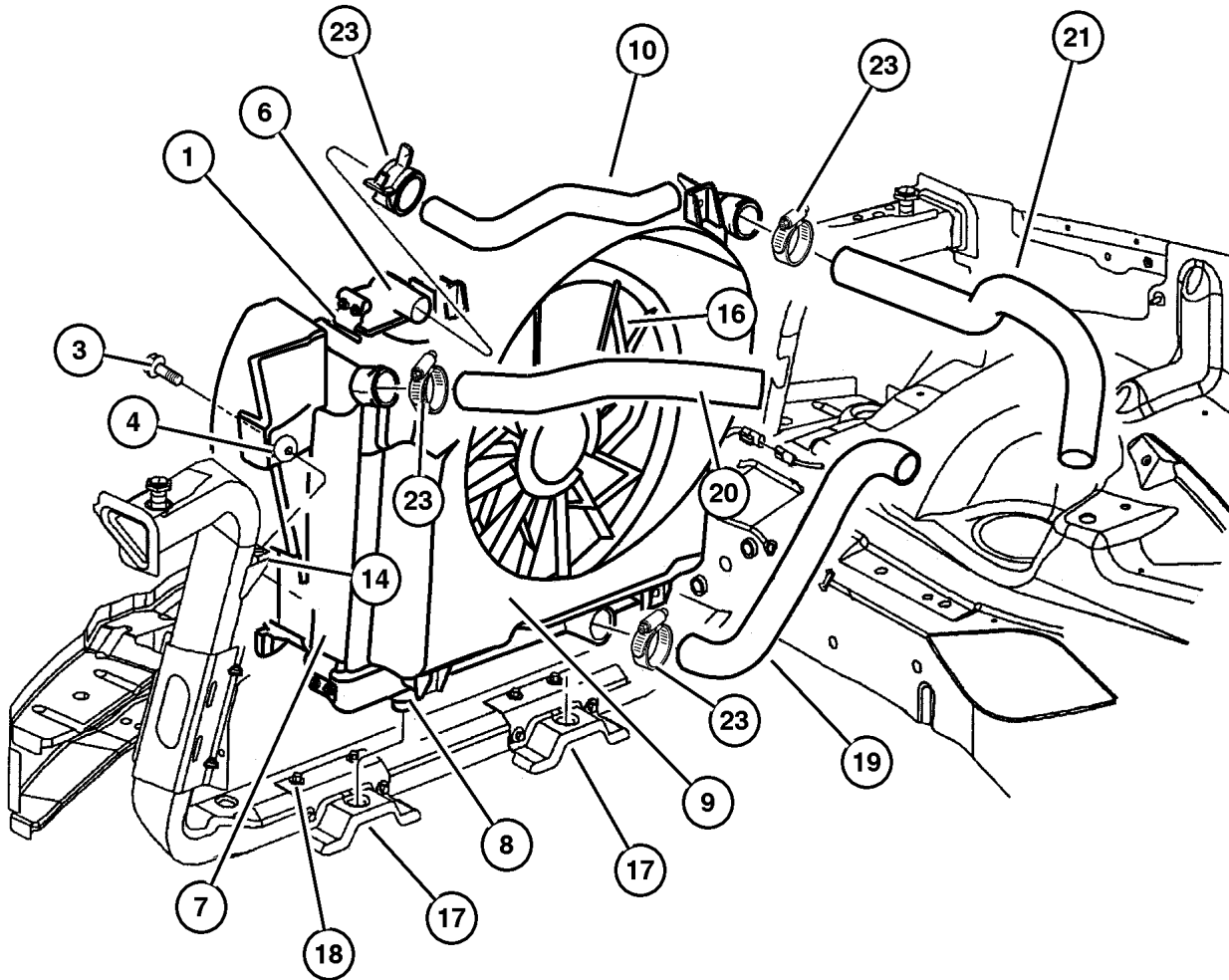
ITEM	PART NUMBER	QTY	LINE	ENGINE	TRANS	DESCRIPTION
Note: Sales Code EX0 = 3.1L Engine WD-Right Hand Drive---B=2 WD-Right Hand Drive						
Note: Sales Code DGO = All Auto Trans WD-Right Hand Drive---B=2 WD-Right Hand Drive						
1	55115 918AB	1	J, T	EX0		CONDENSER, Air Conditioning
		1	U	EX0		
-2	53054 593AA	2	J, T	EX0		ISOLATOR, A/C Condenser
		2	U	EX0		
3	6504 851AA	2	J, T	EX0		SCREW AND WASHER, Hex Head, M6x1x25
		2	U	EX0		
4	4546 552	2	J, T	EX0		U-NUT, Module
		2	U	EX0		
-5	52079 499AB	1	J, T	EX0		COOLER, Charge Air
		1	U	EX0		
6	52079 498AB	1	J, T	EX0		RADIATOR, Engine Cooling
		1	U	EX0		
7	52079 568AB	1	J, T	EX0		SEAL, Radiator
	52079 569AB	1	J, T	EX0		Right
	52079 568AB	1	J, T	EX0		Left
	52079 568AB	1	U	EX0		Right
	52079 569AB	1	U	EX0		Left
8	5207 9536	2	J, T	EX0		ISOLATOR, Radiator
		1	U	EX0		Lower
9	5207 9508	1	J, T	EX0		SHROUD, Fan
	#52079 516AB	1	U	EX0		
10	5207 9502	1		EX0		HOSE, Radiator Inlet
-11	4592 145	1	J, T	EX0		SLEEVE, Braided
		1	U	EX0		
-12	52079 632AA	1		EX0		CLAMP, Oil Cooler Tube
-13	6102 117AA	4	J, T	EX0		SCREW AND WASHER, Hex Head, M6x1x20
		4	U	EX0		
14	6505 172AA	4	J, T	EX0		U-NUT, M6x1.00
		3	U	EX0		
-15						LABEL, Belt Routing

JEEP GRAND CHEROKEE (WJ)

SERIES	LINE	BODY	ENGINE	TRANSMISSION
H=Laredo	J = 4WD	74 = 4 Door(105.9 WB)	ER0, ERH = 4.0L, Power Tech I-6	DGK = 4 Speed Autm, 42RE
P=Limited	T = 2WD		EV0, EVA = 4.7L, Power Tech V8	DGW = 4 Speed Automatic,
	U = 4WD (RHD)		EXA, EX0 = 3.1L, 5 Cyl Turbo Diesel	-44RE
				DG4 = Multi Speed Automatic,
				-45RFE
				DGO = All Automatic

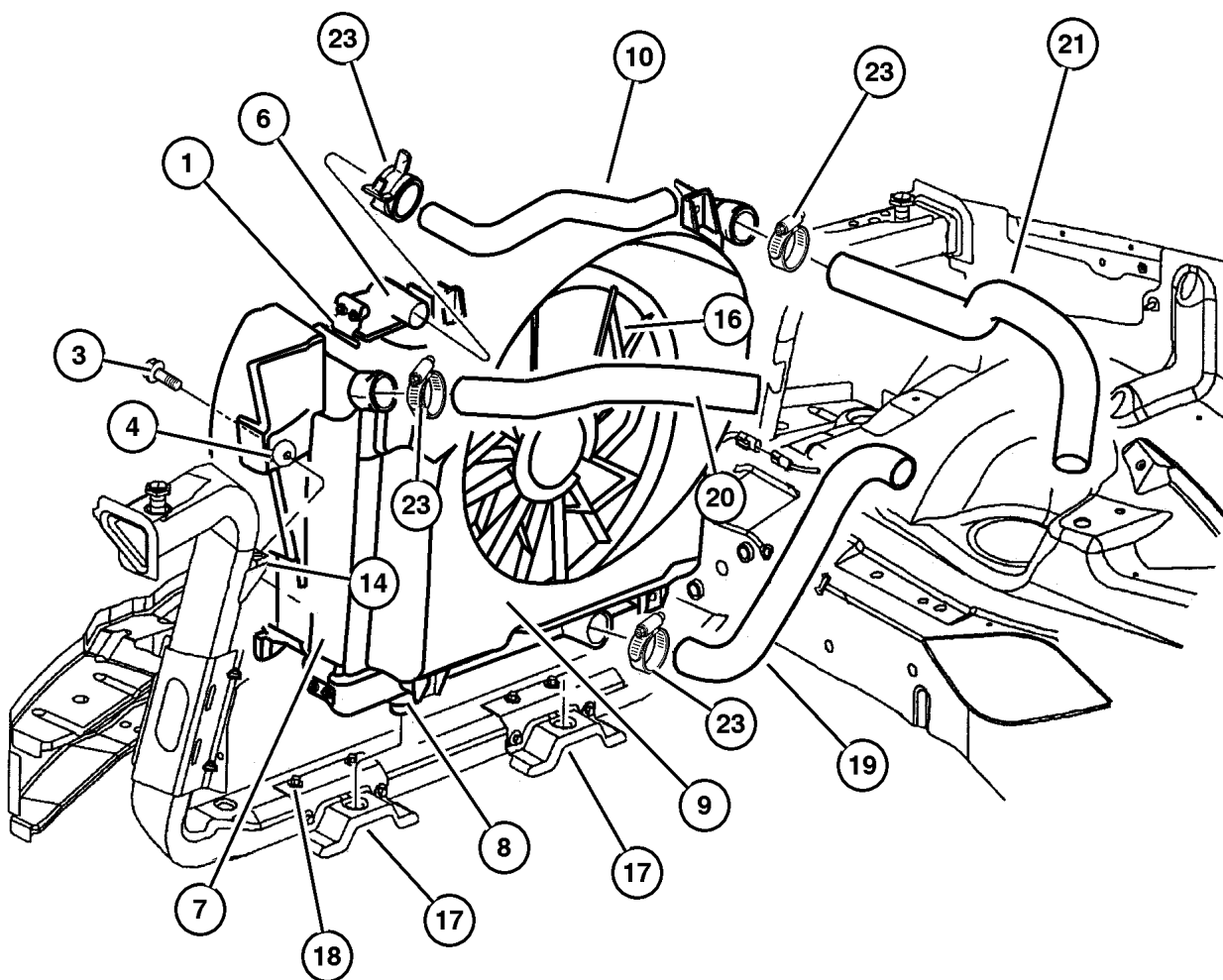
AR = Use as required - = Non illustrated part # = New this model year

April 3, 2002



**Radiator and Related Parts, 3.1L Diesel Engine
Figure 007-165**

ITEM	PART NUMBER	QTY	LINE	ENGINE	TRANS	DESCRIPTION
	5207 9544	1	J, T	EX0		
		1	U	EX0		
16						FAN, Cooling
	5207 9555	1	J, T	EX0		
		1	U	EX0		
17						BRACKET, Radiator
	5207 9564	1		EX0		Right
	52079 617AA	1		EX0		Left
18						SCREW, M6x1.00x55.00, (NOT SERVICED)
19	5207 9503	1		EX0		HOSE, Radiator Outlet
20	5207 9501	1		EX0		HOSE, Charge Air Cooler
21	5207 9500	1		EX0		HOSE, Charge Air Cooler
-22	6034 860	4		EV0,		BOLT AND WASHER, Implement Attaching
				EX0		
23	6033 135	4		EX0		CLAMP
-24	5207 9506	1		EX0		FAN, Cooling
-25	5207 9507	1		EX0		VISCOUS CLUTCH, Fan Drive



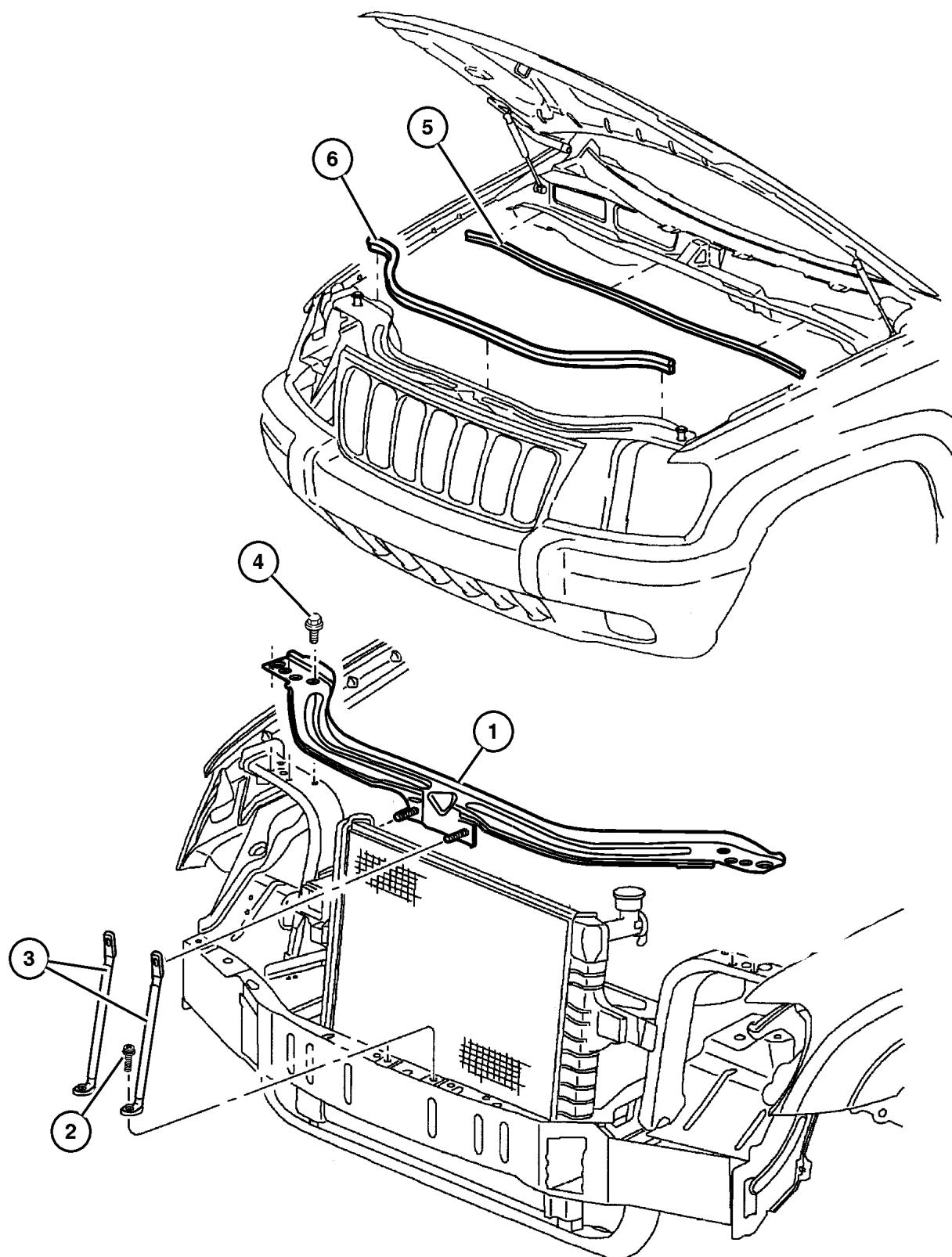
JEEP GRAND CHEROKEE (WJ)

SERIES	LINE	BODY	ENGINE	TRANSMISSION
H=Laredo	J = 4WD	74 = 4 Door(105.9 WB)	ER0, ERH = 4.0L, Power Tech I-6	DGK = 4 Speed Autm, 42RE
P=Limited	T = 2WD		EV0, EVA = 4.7L, Power Tech V8	DGW = 4 Speed Automatic, -44RE
	U = 4WD (RHD)		EXA, EX0 = 3.1L, 5 Cyl Turbo Diesel	DG4 = Multi Speed Automatic, -45RFE
				DGO = All Automatic

AR = Use as required - = Non illustrated part # = New this model year

April 3, 2002

Radiator Upper Support Figure 007-170



ITEM	PART NUMBER	QTY	LINE	ENGINE	TRANS	DESCRIPTION
1	5207 9416	1				CROSSMEMBER, Radiator
2	6503 267	2				SCREW, Round Head, M6x1x25
3	5513 6273	2				BRACE, Radiator Crossmember
4	6503 371	4				SCREW, M8x1.25x20
5	55135 392AB	1				SEAL, Hood To Plenum
6	55135 398AB	1				SEAL, Hood

JEEP GRAND CHEROKEE (WJ)

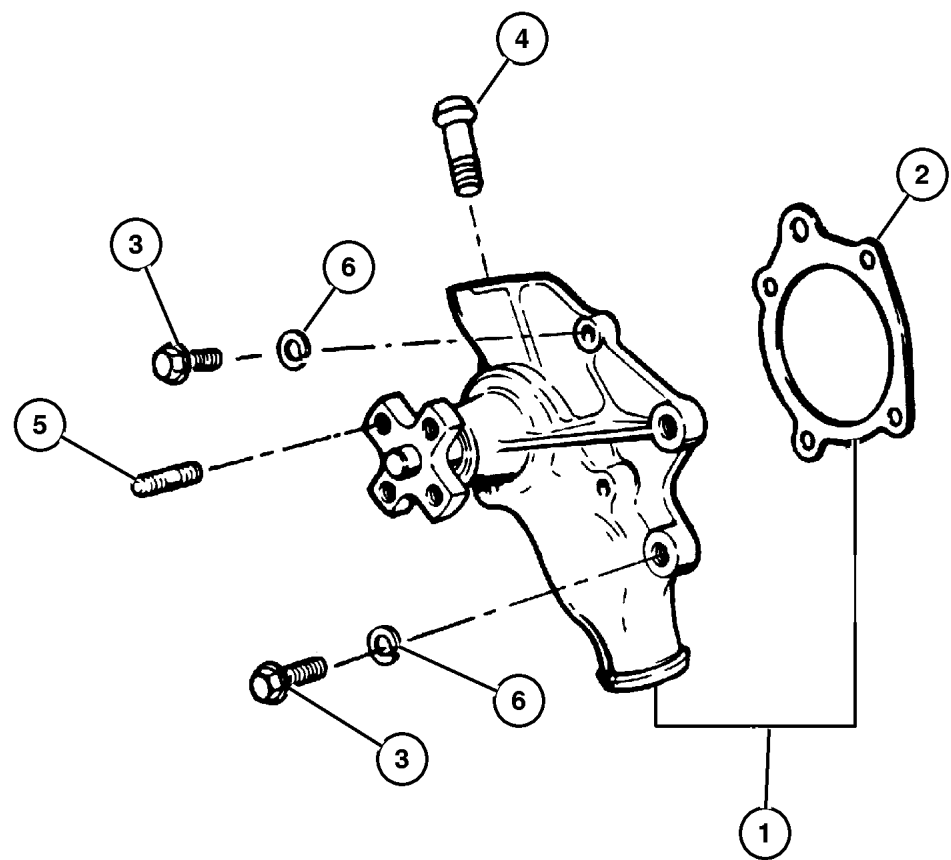
SERIES	LINE	BODY	ENGINE	TRANSMISSION
H=Laredo	J = 4WD	74 = 4 Door(105.9 WB)	ER0, ERH = 4.0L, Power Tech I-6	DGK = 4 Speed Autm, 42RE
P=Limited	T = 2WD		EVO, EVA = 4.7L, Power Tech V8	DGW = 4 Speed Automatic, -44RE
	U = 4WD (RHD)		EXA, EX0 = 3.1L, 5 Cyl Turbo Diesel	DG4 = Multi Speed Automatic, -45RFE
				DGO = All Automatic

AR = Use as required - = Non illustrated part # = New this model year

April 3, 2002

**Water Pump and Related Parts 4.0L Engine
Figure 007-210**

ITEM	PART NUMBER	QTY	LINE	ENGINE	TRANS	DESCRIPTION
Note: Sales Code ER0 = 4.0L Engine WD-Right Hand Drive---B=2 WD-Right Hand Drive						
1	5012 366AA	1		ER0		PUMP PACKAGE, Water
2	5301 0419	1		ER0		GASKET, Water Pump
3						SCREW AND WASHER, Hex Head, .312-18x1.75, (NOT SERVICED)
4	5300 7978	1		ER0		TUBE, Water Pump Heater Return
5						STUD, .312-18/.312-24x1.250, (NOT SERVICED)
6	4798 118	1	J, U	ER0		WASHER



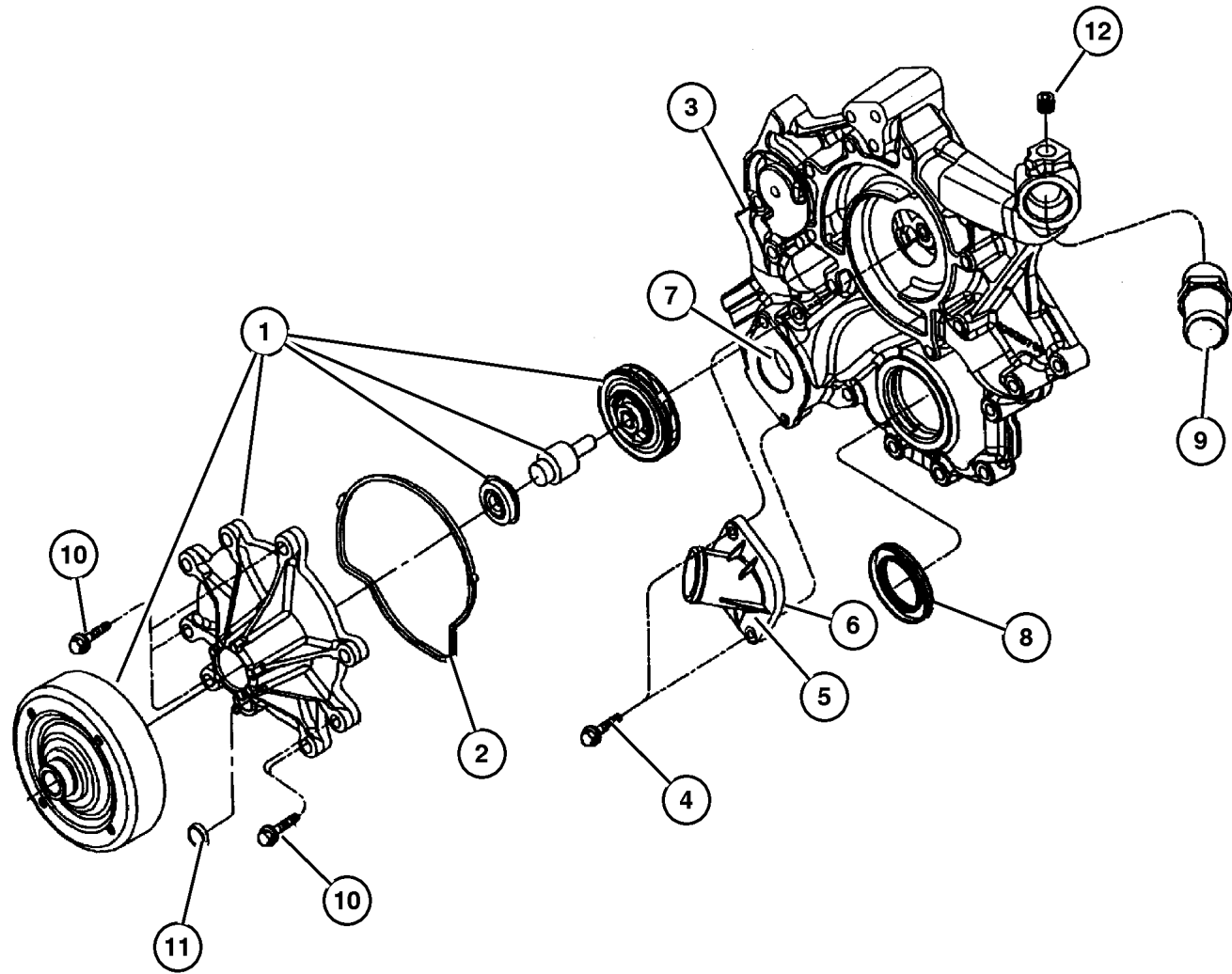
JEEP GRAND CHEROKEE (WJ)				
SERIES	LINE	BODY	ENGINE	TRANSMISSION
H=Laredo	J = 4WD	74 = 4 Door(105.9 WB)	ER0, ERH = 4.0L, Power Tech I-6	DGK = 4 Speed Autm, 42RE
P=Limited	T = 2WD		EV0, EVA = 4.7L, Power Tech V8	DGW = 4 Speed Automatic, -44RE
	U = 4WD (RHD)		EXA, EX0 = 3.1L, 5 Cyl Turbo Diesel	DG4 = Multi Speed Automatic, -45RFE
				DGO = All Automatic

AR = Use as required - = Non illustrated part # = New this model year

April 3, 2002

Water Pump and Related Parts 4.7L Engine
Figure 007-220

ITEM	PART NUMBER	QTY	LINE	ENGINE	TRANS	DESCRIPTION
Note: Sales Code EV0 = 4.7L Engine WD-Right Hand Drive---B=2 WD-Right Hand Drive						
1	53020 873AB	1		EV0		PUMP, Water
2	5302 0865	1		EV0		GASKET, Water Pump
3	6035 854	2		EV0		FITTING, Y-Style
4	6505 502AA	2		EV0		SCREW
5	53020 887AB	1		EV0		HOUSING, Thermostat
6						GASKET, Thermostat, Use RTV Sealer, (NOT SERVICED)
7	52079 476AB	1		EV0		THERMOSTAT
8	5302 0790	1		EV0		SEAL, Crankshaft Oil, Front
9	6035 961AA	1		EV0		PIPE FITTING, Chain Case Cover, .375-18x2
10						SCREW, M6x1x25, (NOT SERVICED)
11						PLUG, (NOT SERVICED)
12						PLUG, (NOT SERVICED)



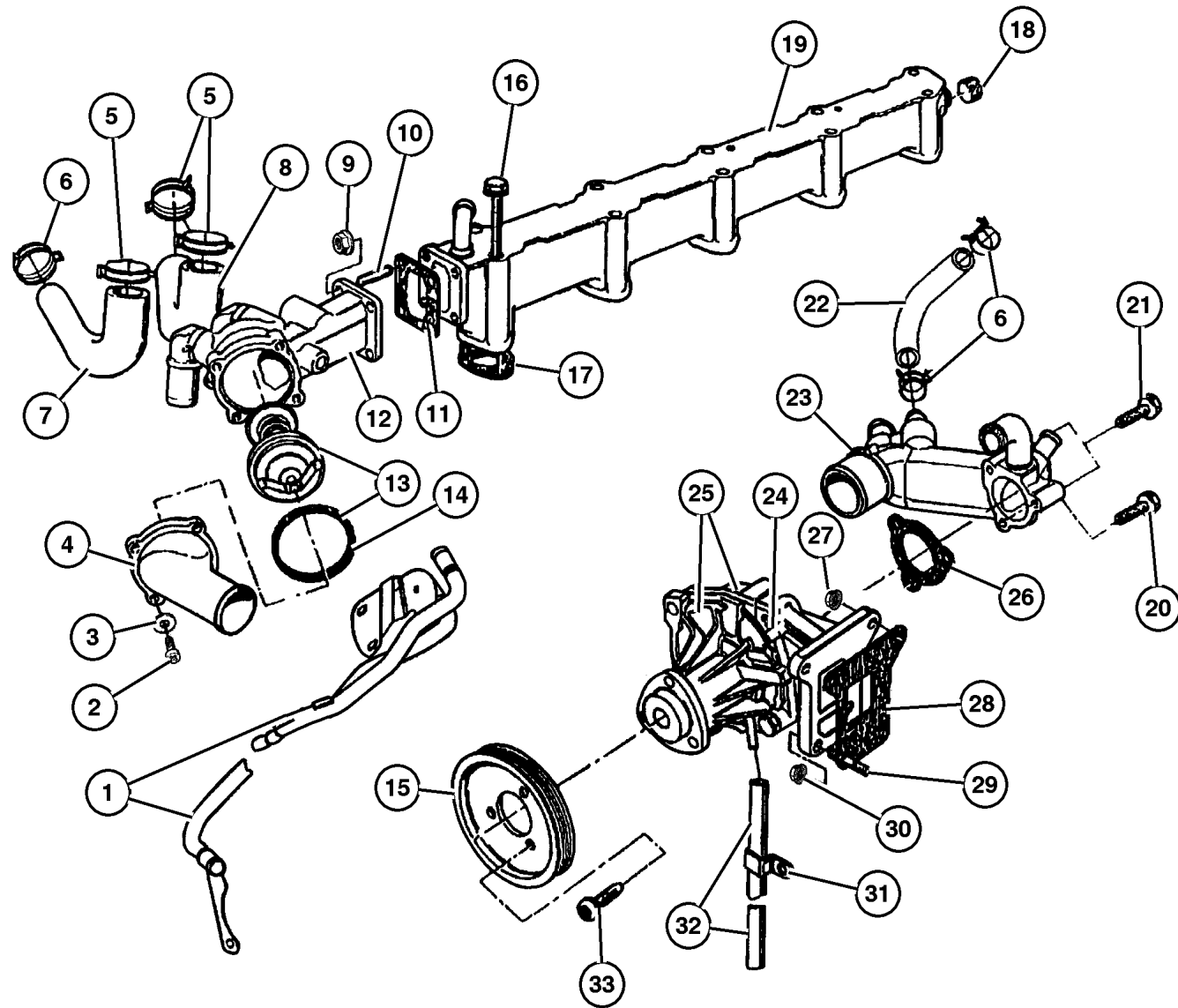
JEEP GRAND CHEROKEE (WJ)

SERIES	LINE	BODY	ENGINE	TRANSMISSION
H=Laredo	J = 4WD	74 = 4 Door(105.9 WB)	ER0, ERH = 4.0L, Power Tech I-6	DGK = 4 Speed Autm, 42RE
P=Limited	T = 2WD		EV0, EVA = 4.7L, Power Tech V8	DGW = 4 Speed Automatic, -44RE
	U = 4WD (RHD)		EXA, EX0 = 3.1L, 5 Cyl Turbo Diesel	DG4 = Multi Speed Automatic, -45RFE
				DGO = All Automatic

AR = Use as required - = Non illustrated part # = New this model year

April 3, 2002

Water Pump and Related Parts, 3.1L Diesel Engine Figure 007-230



ITEM	PART NUMBER	QTY	LINE	ENGINE	TRANS	DESCRIPTION
Note: Sales Code EX0 = 3.1L Engine WD-Right Hand Drive---B=2 WD-Right Hand Drive						
Note: Sales Code DG0 = All Auto Trans WD-Right Hand Drive---B=2 WD-Right Hand Drive						
1	5015 054AA	1		EX0	DG0	TUBE, Heater
2	4720 658	4		EX0	DG0	SCREW, Intake Manifold Elbow
3	4723 204	4		EX0	DG0	WASHER, Implement Attaching
4	4778 976	1		EX0	DG0	COVER, Thermostat Housing
5	4886 050AA	1		EX0	DG0	CLAMP, Heater Hose
6	4883 924AA	1		EX0	DG0	CLAMP, Heater Hose
7	4883 431AA	1		EX0	DG0	HOSE, Heater Feed
8	4778 977	1		EX0	DG0	HOSE, Water Pump Bypass
9	4778 936	4		EX0	DG0	NUT, Suction Pipe Attaching
10	4797 764	4		EX0	DG0	STUD, M6x14
11	4778 971	1		EX0	DG0	GASKET, Thermostat
12	4778 974AB	1		EX0	DG0	HOUSING, Thermostat
13	4778 975	1		EX0	DG0	THERMOSTAT
14	4797 803	1		EX0	DG0	GASKET, Thermostat
15	4864 567	1		EX0	DG0	PULLEY, Water Pump
16	5003 571AA	10		EX0	DG0	SCREW, Hex Head
17	4720 450	5		EX0	DG0	GASKET, Water Manifold
18	4864 753	1		EX0	DG0	PLUG
19	5015 033AA	1		EX0	DG0	MANIFOLD, Water
20	5003 556AA	1		EX0	DG0	BOLT
21	5003 555AA	2		EX0	DG0	BOLT
22	5015 055AA	1		EX0	DG0	HOSE, Heater
23	4864 576	1		EX0	DG0	ADAPTER, Water Pump
24	4723 198	1		EX0	DG0	O RING, Water Pump
25	4864 566	1		EX0	DG0	PUMP, Water
26	4864 575	1		EX0	DG0	GASKET, Water Pump
27	4720 699	1		EX0	DG0	NUT, Hex Lock, M8
28	4720 451	4		EX0	DG0	GASKET, Water Pump
29	4720 550	6		EX0	DG0	STUD, Water Pump To Block
30	4778 961	6		EX0	DG0	NUT
31	4720 446	1		EX0	DG0	CLIP, Drain Pipe
32	4720 438	1		EX0	DG0	PIPE, Water Pump Drain
33	5003 554AA	3		EX0	DG0	SCREW

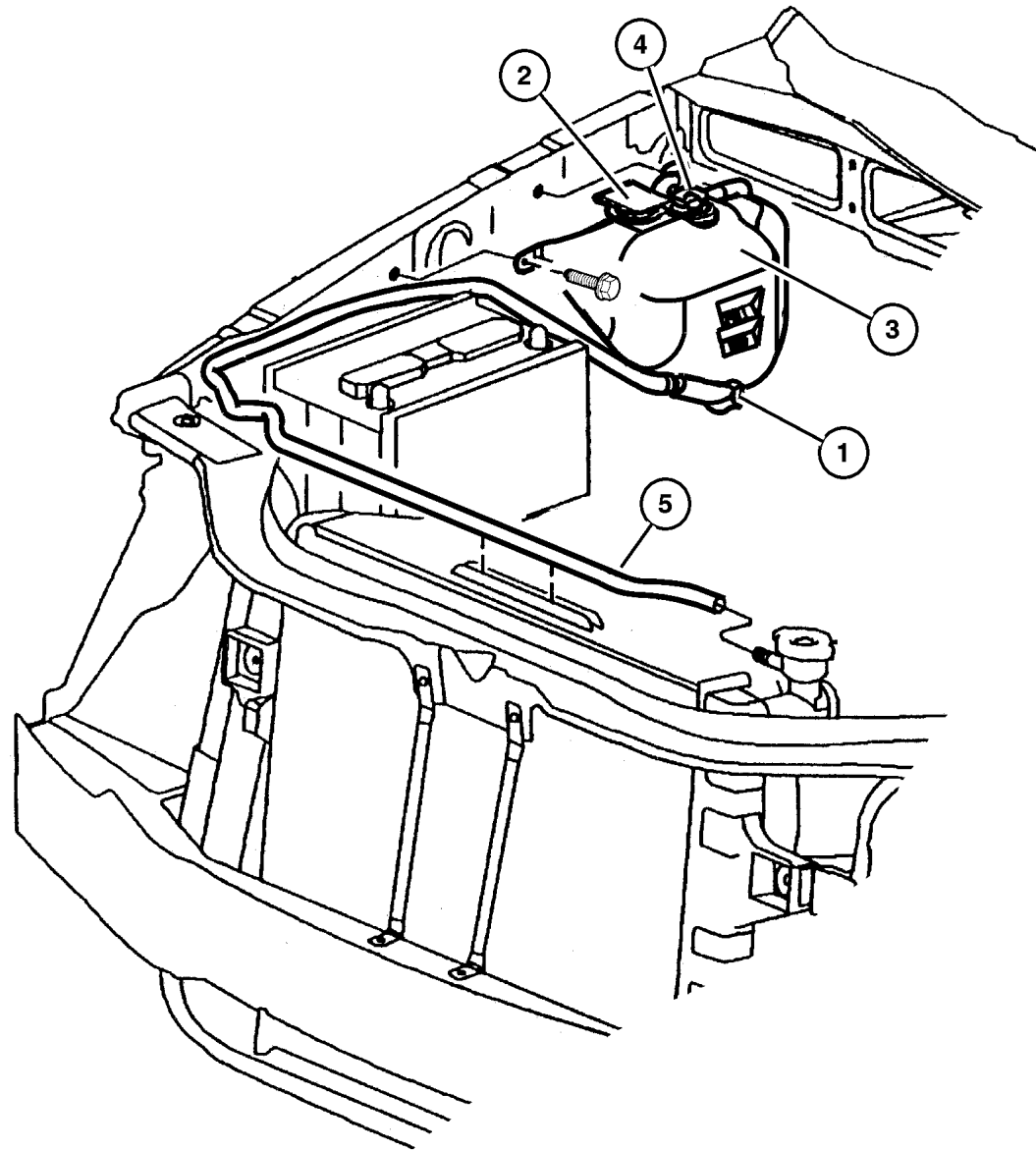
JEEP GRAND CHEROKEE (WJ)

SERIES	LINE	BODY	ENGINE	TRANSMISSION
H=Laredo	J = 4WD	74 = 4 Door(105.9 WB)	ER0, ERH = 4.0L, Power Tech I-6	DGK = 4 Speed Autm, 42RE
P=Limited	T = 2WD		EV0, EVA = 4.7L, Power Tech V8	DGW = 4 Speed Automatic, -44RE
	U = 4WD (RHD)		EXA, EX0 = 3.1L, 5 Cyl Turbo Diesel	DG4 = Multi Speed Automatic, -45RFE
				DGO = All Automatic

AR = Use as required - = Non illustrated part # = New this model year

April 3, 2002

**Coolant Tank, 4.0,4.7L Engine
Figure 007-310**



ITEM	PART NUMBER	QTY	LINE	ENGINE	TRANS	DESCRIPTION
Note: Sales Code ER0 = 4.0L Engine WD-Right Hand Drive---B=2 WD-Right Hand Drive						
Note: Sales Code EV0 = 4.7L Engine WD-Right Hand Drive---B=2 WD-Right Hand Drive						
1						GROMMET
	5202 8254	1		EV0		
		1		ER0		
2						CAP, Coolant Reserve Tank
	5207 9331	1		EV0		
		1		ER0		
3						BOTTLE, Coolant Recovery
	52079 461AB	1		EV0		
		1		ER0		
4						SENSOR, Coolant Level
	5207 9468	1		EV0		
		1		ER0		
5						HOSE, Coolant Reserve Tank
	4026 148	1		ER0		
		1		EV0		

JEEP GRAND CHEROKEE (WJ)

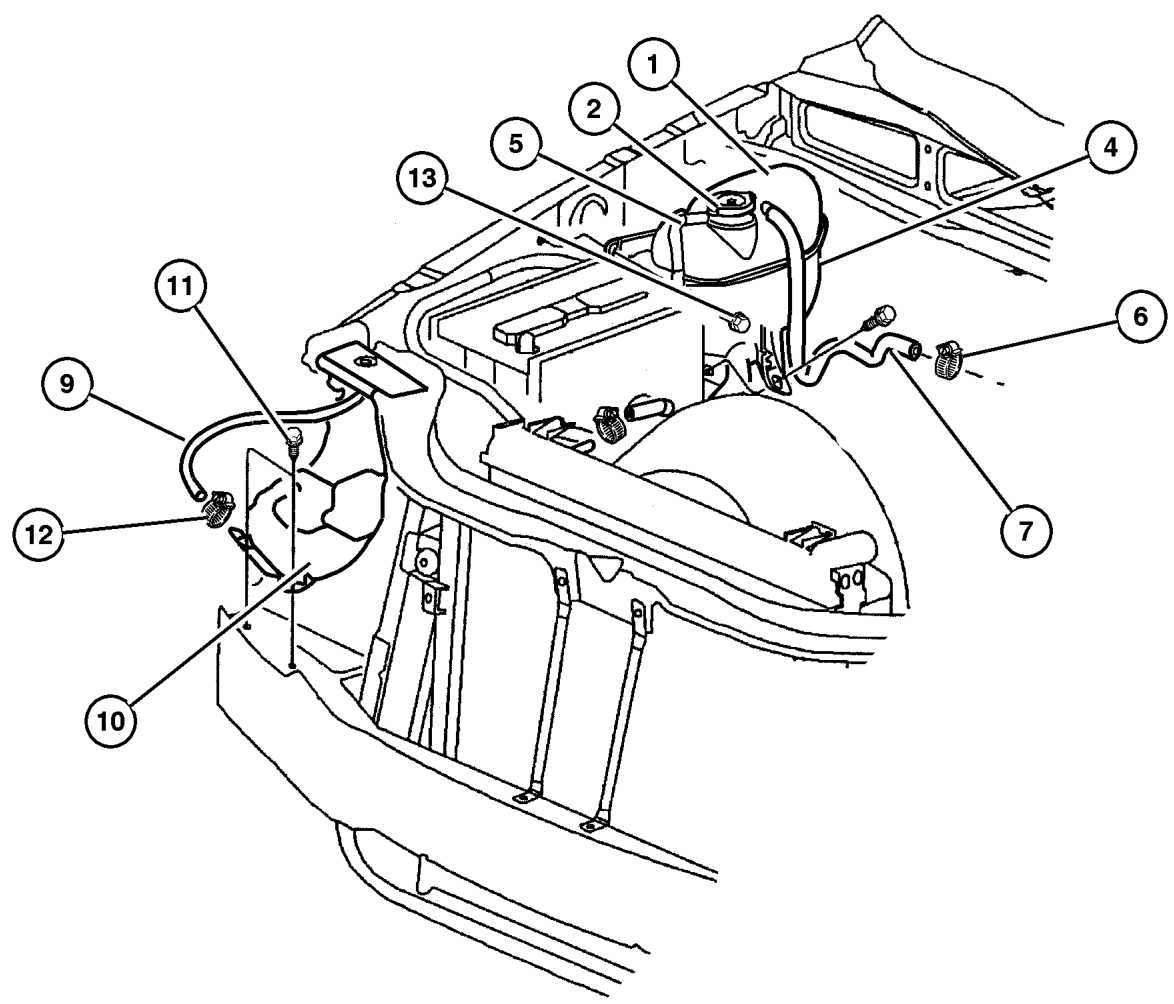
SERIES	LINE	BODY	ENGINE	TRANSMISSION
H=Laredo	J = 4WD	74 = 4 Door(105.9 WB)	ER0, ERH = 4.0L, Power Tech I-6	DGK = 4 Speed Autm, 42RE
P=Limited	T = 2WD		EV0, EVA = 4.7L, Power Tech V8	DGW = 4 Speed Automatic, -44RE
	U = 4WD (RHD)		EXA, EX0 = 3.1L, 5 Cyl Turbo Diesel	DG4 = Multi Speed Automatic, -45RFE
				DGO = All Automatic

AR = Use as required - = Non illustrated part # = New this model year

April 3, 2002

**Coolant Tank, 3.1 Diesel Engine
Figure 007-320**

ITEM	PART NUMBER	QTY	LINE	ENGINE	TRANS	DESCRIPTION
Note: Sales Code WD-Right Hand Drive---B=2 WD-Right Hand Drive						
DG0 = All Automatic Transmissions WD-Right Hand Drive---B=2 WD-Right Hand Drive						
EX0 = 3.1L Engine WD-Right Hand Drive---B=2 WD-Right Hand Drive						
1	52079 505AB	1		EX0		BOTTLE, Degasser
2	4596 198	1		EX0		CAP, Pressurized Coolant
-3	5202 8399	1		EX0		LABEL, Coolant Warning
4	52079 881AA	1		EX0		SENSOR, Coolant Level
5	5207 9571	1		EX0		HOSE, Coolant Recovery Bottle
6	6502 018	2		EX0		CLAMP, Hose, M28.9 x 1.60
7	4443 176	1		EX0		HOSE, Fuel, .31 I.D. 50 Foot Roll
-8	52079 632AA	1		EX0		CLAMP, Oil Cooler Tube
9	4266 423	1		EX0		HOSE, Overflow, Roll Stock
10	52079 798AB	1		EX0		BOTTLE, Coolant Recovery
11	5003 571AA	10		EX0	DG0	SCREW, Hex Head
12	6502 081	2		EX0		CLAMP, Oil Cooler Line
13						SCREW, Tapping, M8x1.25x16.00, (NOT SERVICED)

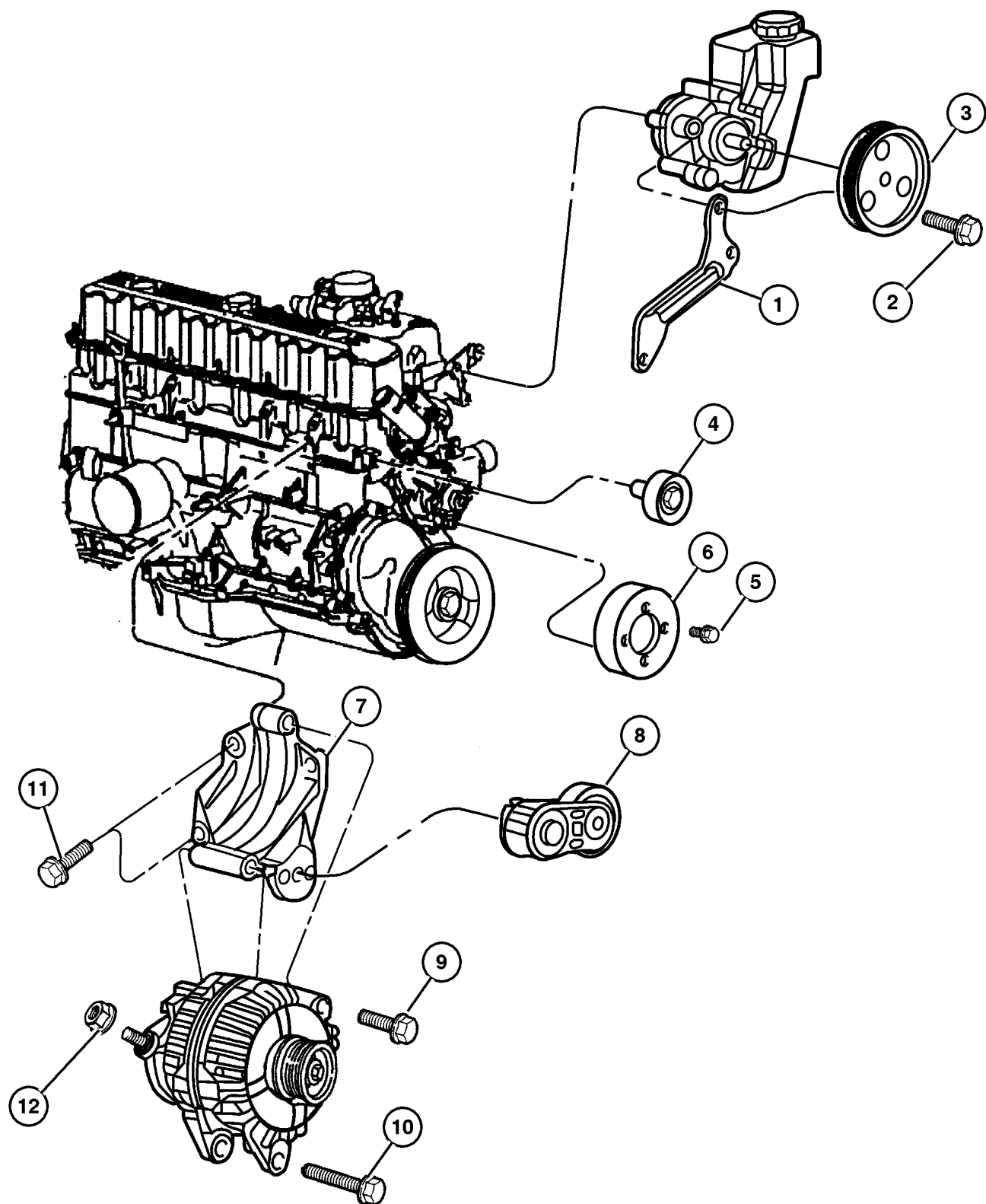


JEEP GRAND CHEROKEE (WJ)				
SERIES	LINE	BODY	ENGINE	TRANSMISSION
H=Laredo	J = 4WD	74 = 4 Door(105.9 WB)	ER0, ERH = 4.0L, Power Tech I-6	DGK = 4 Speed Autm, 42RE
P=Limited	T = 2WD		EV0, EVA = 4.7L, Power Tech V8	DGW = 4 Speed Automatic, -44RE
	U = 4WD (RHD)		EXA, EX0 = 3.1L, 5 Cyl Turbo Diesel	DG4 = Multi Speed Automatic, -45RFE
				DGO = All Automatic

AR = Use as required - = Non illustrated part # = New this model year

April 3, 2002

Drive Pulleys 4.0L Engine Figure 007-420



ITEM	PART NUMBER	QTY	LINE	ENGINE	TRANS	DESCRIPTION
Note: Sales Code ER0 = 4.0L Engine WD-Right Hand Drive---B=2 WD-Right Hand Drive						
1	4854 157	1		ER0		BRACE, Power Steering Pump
2	6502 425	3		ER0		SCREW AND WASHER, Hex Head, M8x1.25x95
3	53010 258AB	1		ER0, EV0		PULLEY, Power Steering Pump
4	4854 092	1		ER0		PULLEY, Idler
5	6034 860	4		ER0		BOLT AND WASHER, Implement Attaching
6	4854 032	1		ER0		PULLEY, Water Pump
7	4854 026	1		ER0		BRACKET, Alternator
8	4854 089	1		ER0		TENSIONER, Alternator Belt
9	6505 488AA	1		ER0		SCREW AND WASHER, Hex
10	6504 344	1		ER0		SCREW AND WASHER, Hex Head
11	0154 854AA	4		ER0		SCREW AND WASHER, Hex
12	6502 691	1		ER0, EV0,	EX0	NUT, Hex Flange Lock, M6x1

JEEP GRAND CHEROKEE (WJ)

SERIES	LINE	BODY	ENGINE	TRANSMISSION
H=Laredo	J = 4WD	74 = 4 Door(105.9 WB)	ER0, ERH = 4.0L, Power Tech I-6	DGK = 4 Speed Autm, 42RE
P=Limited	T = 2WD		EV0, EVA = 4.7L, Power Tech V8	DGW = 4 Speed Automatic, -44RE
	U = 4WD (RHD)		EXA, EX0 = 3.1L, 5 Cyl Turbo Diesel	DG4 = Multi Speed Automatic, -45RFE
				DGO = All Automatic

AR = Use as required - = Non illustrated part # = New this model year

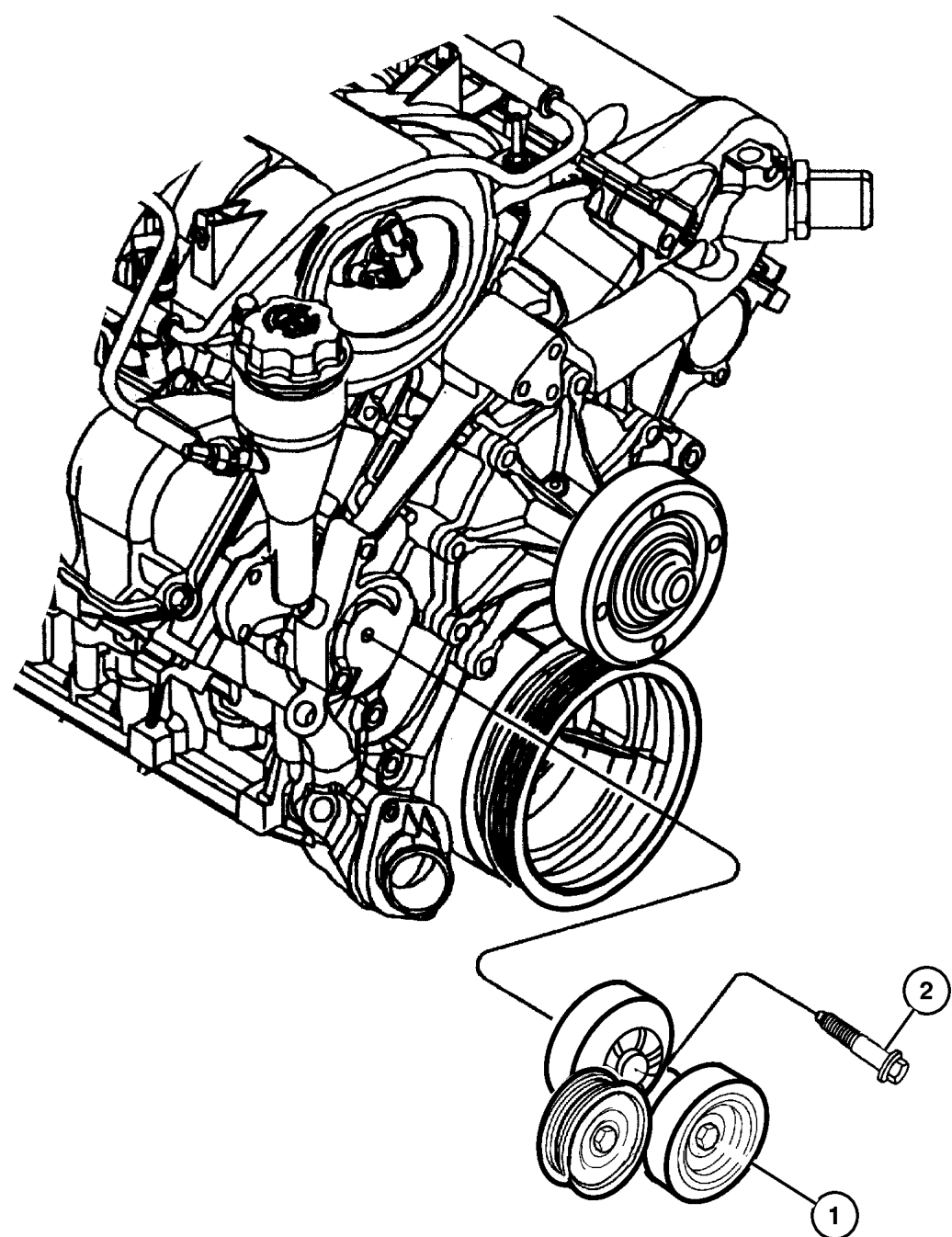
April 3, 2002

Drive Pulleys 4.7L Engine
Figure 007-430

ITEM	PART NUMBER	QTY	LINE	ENGINE	TRANS	DESCRIPTION
------	-------------	-----	------	--------	-------	-------------

Note: Sales Code EV0 = 4.7L Engine WD-Right Hand Drive---B=2 WD-Right Hand Drive

1	5303 0958	1		EV0		TENSIONER, Alternator Belt
2	6504 930AA	1		EV0		SCREW AND WASHER, Hex Head, M10x1.5x70

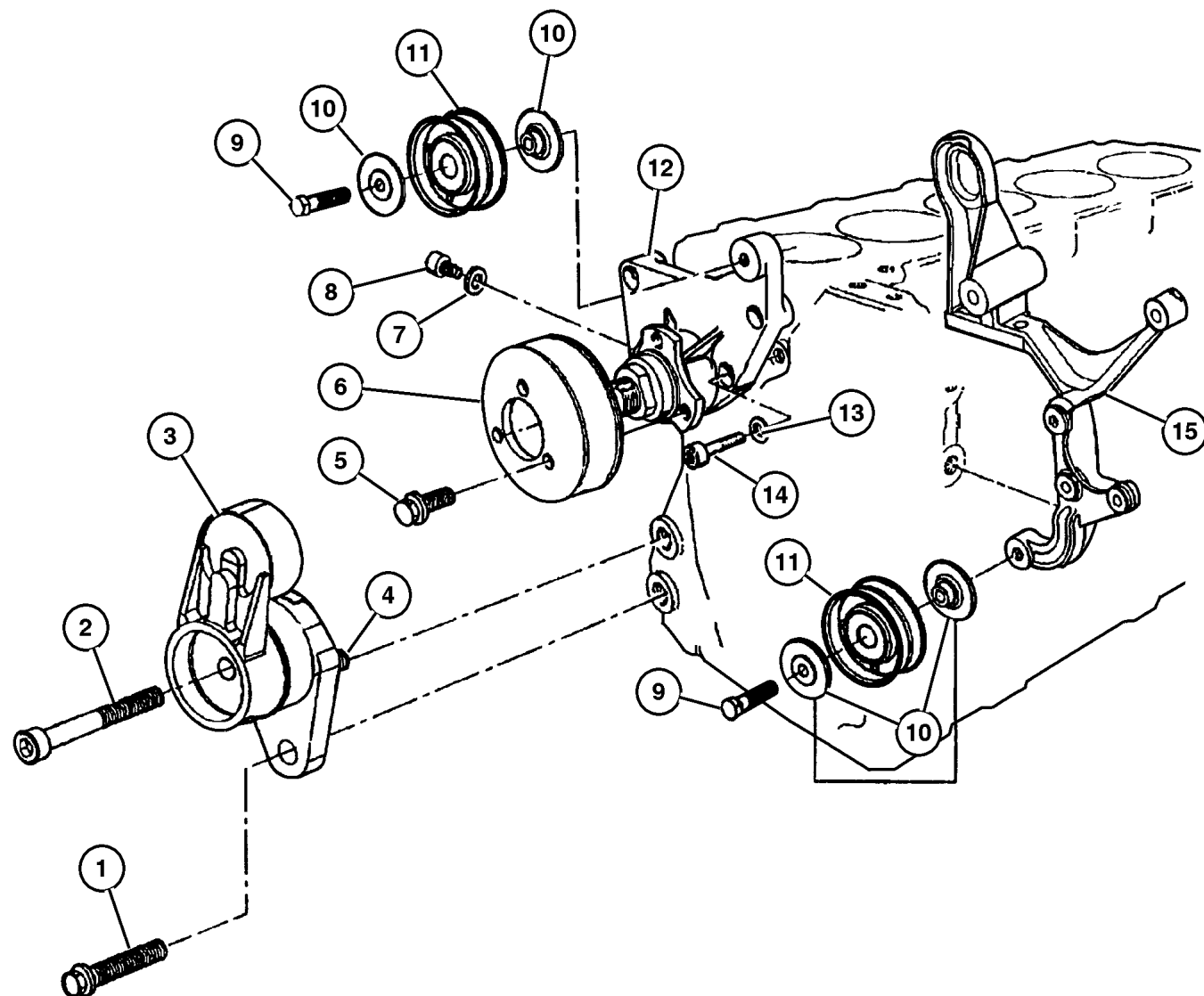


JEEP GRAND CHEROKEE (WJ)				
SERIES	LINE	BODY	ENGINE	TRANSMISSION
H=Laredo	J = 4WD	74 = 4 Door(105.9 WB)	ER0, ERH = 4.0L, Power Tech I-6	DGK = 4 Speed Autm, 42RE
P=Limited	T = 2WD		EV0, EVA = 4.7L, Power Tech V8	DGW = 4 Speed Automatic, -44RE
	U = 4WD (RHD)		EXA, EX0 = 3.1L, 5 Cyl Turbo Diesel	DG4 = Multi Speed Automatic, -45RFE
				DGO = All Automatic

AR = Use as required - = Non illustrated part # = New this model year

April 3, 2002

Drive Pulleys, 3.1L Diesel Engine
Figure 007-440



ITEM	PART NUMBER	QTY	LINE	ENGINE	TRANS	DESCRIPTION
Note: Sales Code WD-Right Hand Drive---B=2 WD-Right Hand Drive						
DG0 = All Automatic Transmissions WD-Right Hand Drive---B=2 WD-Right Hand Drive						
EX0 = 3.1L Engine WD-Right Hand Drive---B=2 WD-Right Hand Drive						
1	5003 536AA	1		EX0	DG0	BOLT, Belt Tensioner
2	4886 053AA	1		EX0	DG0	BOLT, Belt Tensioner
3	4897 159AB	1		EX0	DG0	TENSIONER, Belt
4	4883 528AA	1		EX0	DG0	BOLT, Adaptor Plate
5	5003 554AA	3		EX0	DG0	SCREW
6	4883 491AA	1		EX0	DG0	PULLEY, Fan
7	4723 200	1		EX0	DG0	WASHER, Flat
8	4796 030	1		EX0	DG0	SCREW, Fan Bearing
9	4797 773	2		EX0	DG0	BOLT, Left Hand Thread, M10x50
10	5015 071AA	4		EX0	DG0	FLANGE, Accessory Drive
11	4796 016	2		EX0	DG0	PULLEY, Idler
12	5003 566AA	1		EX0	DG0	BRACKET, Fan
13	4720 688	4		EX0	DG0	WASHER, Flat
14	4797 768	4		EX0	DG0	BOLT, Vacuum Pump Bracket, M10x35
15	5015 072AA	1		EX0	DG0	BRACKET, Alternator

JEEP GRAND CHEROKEE (WJ)

SERIES	LINE	BODY	ENGINE	TRANSMISSION
H=Laredo	J = 4WD	74 = 4 Door(105.9 WB)	ER0, ERH = 4.0L, Power Tech I-6	DGK = 4 Speed Autm, 42RE
P=Limited	T = 2WD		EV0, EVA = 4.7L, Power Tech V8	DGW = 4 Speed Automatic, -44RE
	U = 4WD (RHD)		EXA, EX0 = 3.1L, 5 Cyl Turbo Diesel	DG4 = Multi Speed Automatic, -45RFE
				DGO = All Automatic

AR = Use as required - = Non illustrated part # = New this model year

April 3, 2002

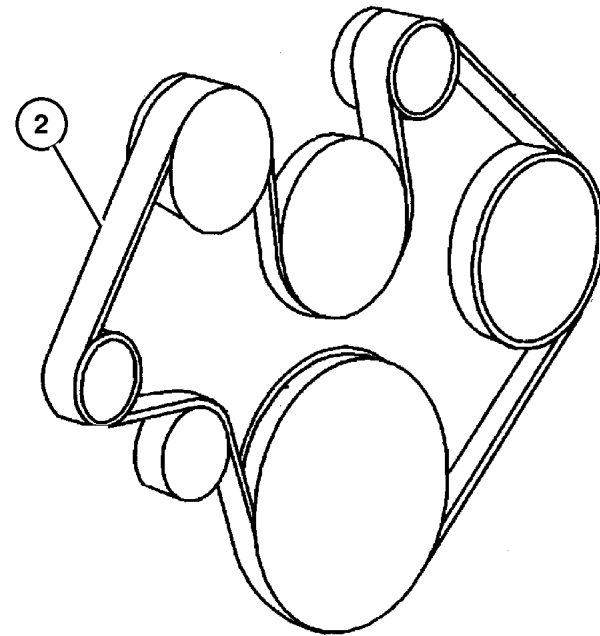
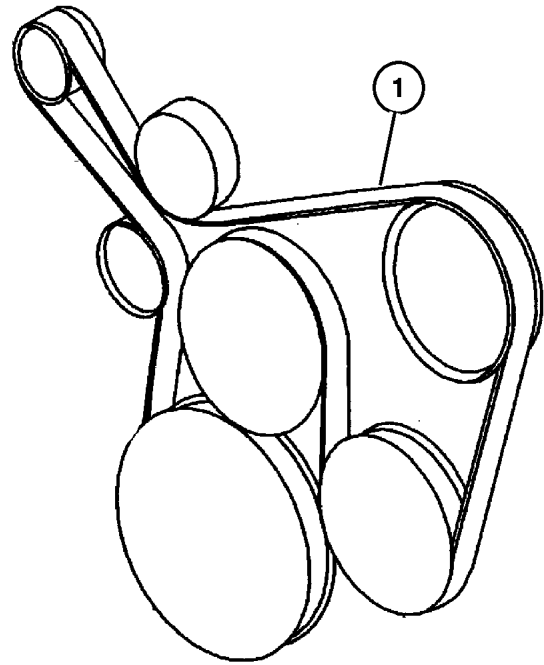
**Drive Belts 4.0L and 4.7L Engines
Figure 007-520**

ITEM	PART NUMBER	QTY	LINE	ENGINE	TRANS	DESCRIPTION
------	-------------	-----	------	--------	-------	-------------

Note: Sales Code ER0 = 4.0L Engine WD-Right Hand Drive---B=2 WD-Right Hand Drive

Note: Sales Code EV0 = 4.7L Engine WD-Right Hand Drive---B=2 WD-Right Hand Drive

1	4854 033	1		ER0		BELT, Accessory Drive
2	53032 037AC	1		EV0		BELT, Accessory Drive



JEEP GRAND CHEROKEE (WJ)			ENGINE	TRANSMISSION
SERIES	LINE	BODY	ER0, ERH = 4.0L, Power Tech I-6	DGK = 4 Speed Autm, 42RE
H=Laredo	J = 4WD	74 = 4 Door(105.9 WB)	EV0, EVA = 4.7L, Power Tech V8	DGW = 4 Speed Automatic, -44RE
P=Limited	T = 2WD		EXA, EX0 = 3.1L, 5 Cyl Turbo Diesel	DG4 = Multi Speed Automatic, -45RFE
	U = 4WD (RHD)			DGO = All Automatic

AR = Use as required - = Non illustrated part # = New this model year

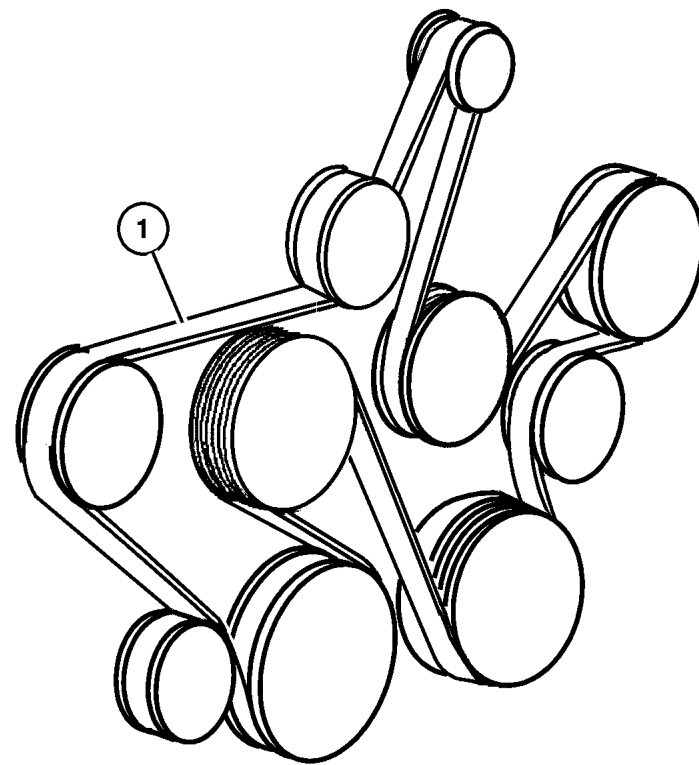
April 3, 2002

**Drive Belts, 3.1L Diesel Engine
Figure 007-530**

ITEM	PART NUMBER	QTY	LINE	ENGINE	TRANS	DESCRIPTION
------	-------------	-----	------	--------	-------	-------------

Note: Sales Code WD-Right Hand Drive---B=2 WD-Right Hand Drive
 DG0 = All Automatic Transmissions WD-Right Hand Drive---B=2 WD-Right Hand Drive
 EX0 = 3.1L Engine WD-Right Hand Drive---B=2 WD-Right Hand Drive

1	5015 962AA	1		EX0	DG0	BELT, Alternator
---	------------	---	--	-----	-----	------------------

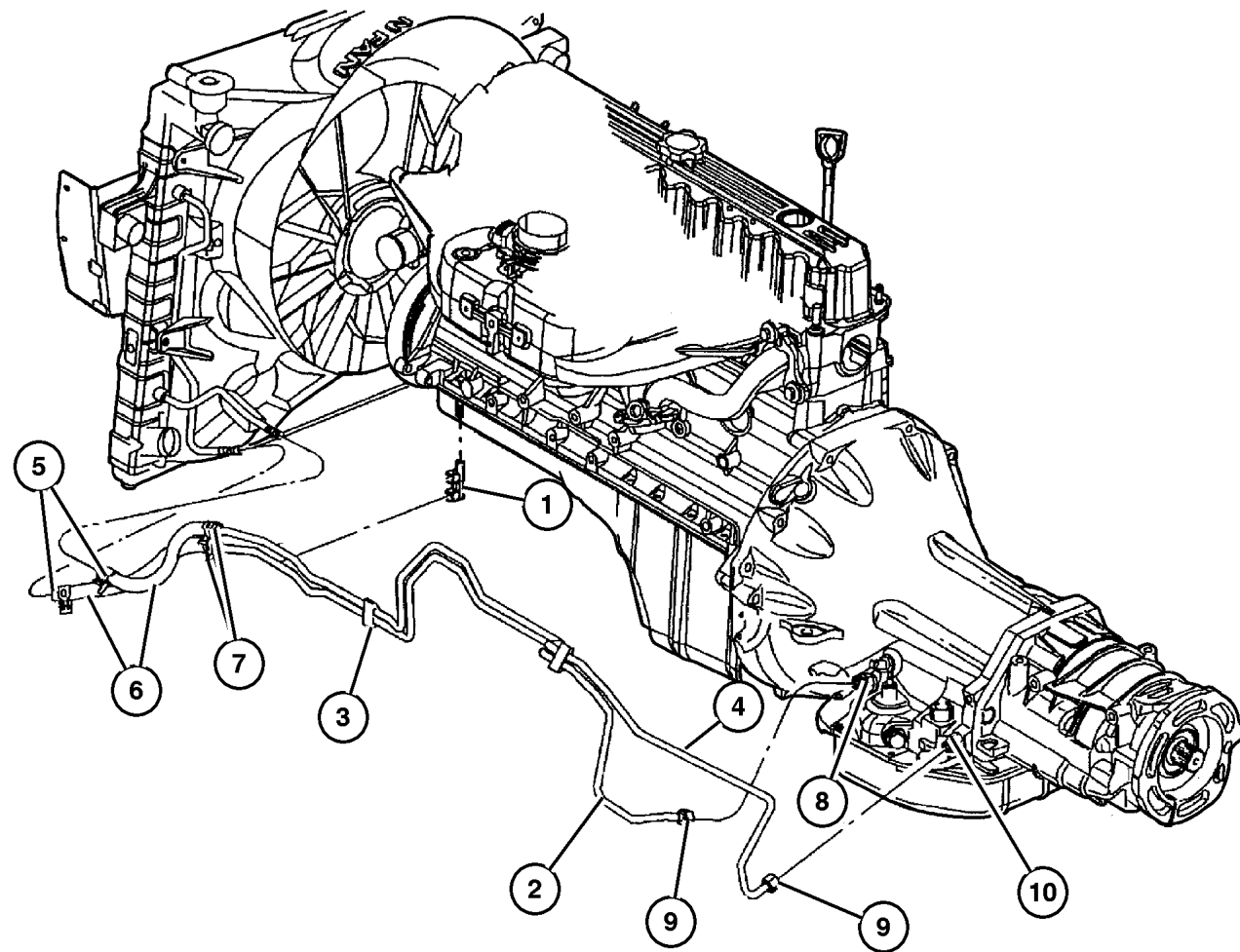


JEEP GRAND CHEROKEE (WJ)		BODY	ENGINE	TRANSMISSION
SERIES	LINE	74 = 4 Door(105.9 WB)	ER0, ERH = 4.0L, Power Tech I-6	DGK = 4 Speed Autm, 42RE
H=Laredo	J = 4WD		EVO, EVA = 4.7L, Power Tech V8	DGW = 4 Speed Automatic, -44RE
P=Limited	T = 2WD		EXA, EX0 = 3.1L, 5 Cyl Turbo Diesel	DG4 = Multi Speed Automatic, -45RFE
	U = 4WD (RHD)			DGO = All Automatic

AR = Use as required - = Non illustrated part # = New this model year

April 3, 2002

**Oil Cooler and Lines 3.1, 4.0L Engines
Figure 007-610**



ITEM	PART NUMBER	QTY	LINE	ENGINE	TRANS	DESCRIPTION
Note: Sales Code EX0 = 3.1 L Engine WD-Right Hand Drive---B=2 WD-Right Hand Drive						
Note: Sales Code ER0 = 4.0L Engine WD-Right Hand Drive---B=2 WD-Right Hand Drive						
Note: Sales Code DGW = 44RE, Auto Trans WD-Right Hand Drive---B=2 WD-Right Hand Drive						
Note: Sales Code DGK = 42RE, Auto Trans WD-Right Hand Drive---B=2 WD-Right Hand Drive						
Note: Sales Code DG4 = Multi-Speed Automatic Transmission WD-Right Hand Drive---B=2 WD-Right Hand Drive						
1						BRACKET, Transmission Oil Cooler
	52079 894AA	1			DGW	
	52079 789AA	1			DGK, DG4	
2						TUBE, Oil Cooler
	5207 9369	1		ER0	DGK	
	52079 623AC	1		EX0	DGW	
3						CLIP, Power Steering Hose
	4815 987AA	2		ER0	DGK	
		3		EX0	DGW	
4						TUBE, Oil Cooler
	52079 665AC	1		EX0	DGW	
	#52079 782AB	1		ER0	DGK	
5						CLAMP, Oil Cooler Tube
	52079 631AA	1		ER0	DGK	
		2	J, T	EX0		
6						HOSE, Oil Cooler
	4026 139	1		ER0	DGK	
	53054 592AA	1	J, T	EX0		
7						CLAMP, Oil Cooler Tube
	52079 631AA	2	J, T	EX0		
	52079 632AA	1		ER0	DGK	
8						VALVE, Oil Cooler Pressure
	52028 463AB	1		EX0	DGW	
		1		ER0	DGK	
9						NUT, .625-18
	6035 503	3		ER0	DGK	
		3		EX0	DGW	
10						NUT, Transmission Case
	4799 433AB	2	T		DG4	
		2	J, U		DG4	

JEEP GRAND CHEROKEE (WJ)

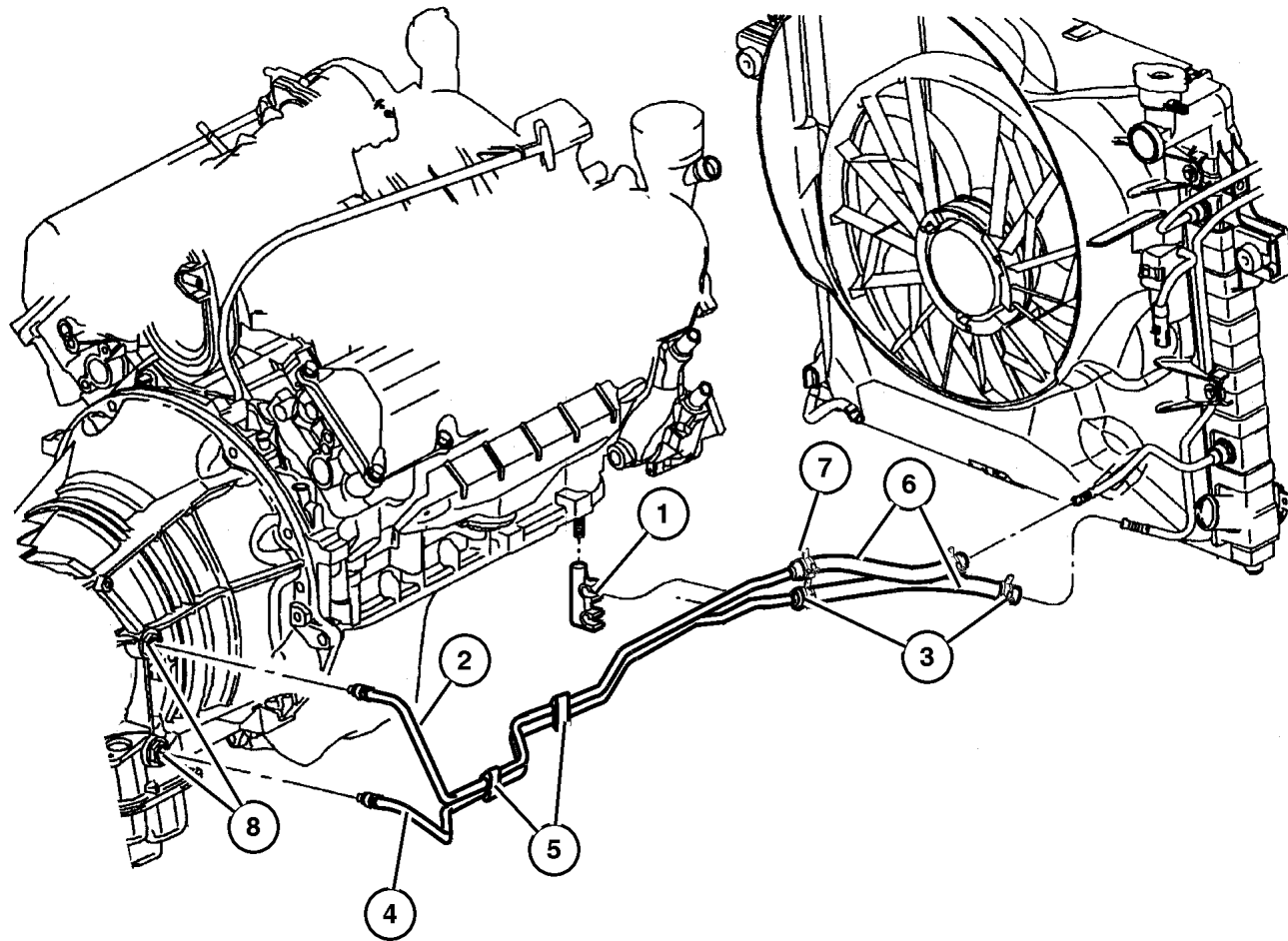
SERIES	LINE	BODY	ENGINE	TRANSMISSION
H=Laredo	J = 4WD	74 = 4 Door(105.9 WB)	ER0, ERH = 4.0L, Power Tech I-6	DGK = 4 Speed Autm, 42RE
P=Limited	T = 2WD		EV0, EVA = 4.7L, Power Tech V8	DGW = 4 Speed Automatic,
	U = 4WD (RHD)		EXA, EX0 = 3.1L, 5 Cyl Turbo Diesel	-44RE
				DG4 = Multi Speed Automatic,
				-45RFE
				DGO = All Automatic

AR = Use as required - = Non illustrated part # = New this model year

April 3, 2002

**Oil Cooler and Lines 4.7L Engine
Figure 007-620**

ITEM	PART NUMBER	QTY	LINE	ENGINE	TRANS	DESCRIPTION
Note: Sales Code EV0 = 4.7L Engine WD-Right Hand Drive---B=2 WD-Right Hand Drive						
Note: Sales Code DGK = 4 Speed Automatic Transmission 42RE WD-Right Hand Drive---B=2 WD-Right Hand Drive						
Note: Sales Code DG4 = Multi - Speed Auto Trans. WD-Right Hand Drive---B=2 WD-Right Hand Drive						
1	52079 789AA	1			DGK, DG4	BRACKET, Transmission Oil Cooler
2	5207 9375	1		EV0	DG4	TUBE, Oil Cooler
3	4815 987AA	2		EV0	DG4	CLIP, Power Steering Hose
4	52079 783AA	1		EV0	DG4	TUBE, Oil Cooler
5	52079 631AA	1		EV0	DG4	CLAMP, Oil Cooler Tube
6	4026 139	1		EV0	DG4	HOSE, Oil Cooler
7	52079 632AA	1		EV0	DG4	CLAMP, Oil Cooler Tube
8						NUT, Transmission Case
	4799 433AB	2	J, U		DG4	
		2	T		DG4	



JEEP GRAND CHEROKEE (WJ)

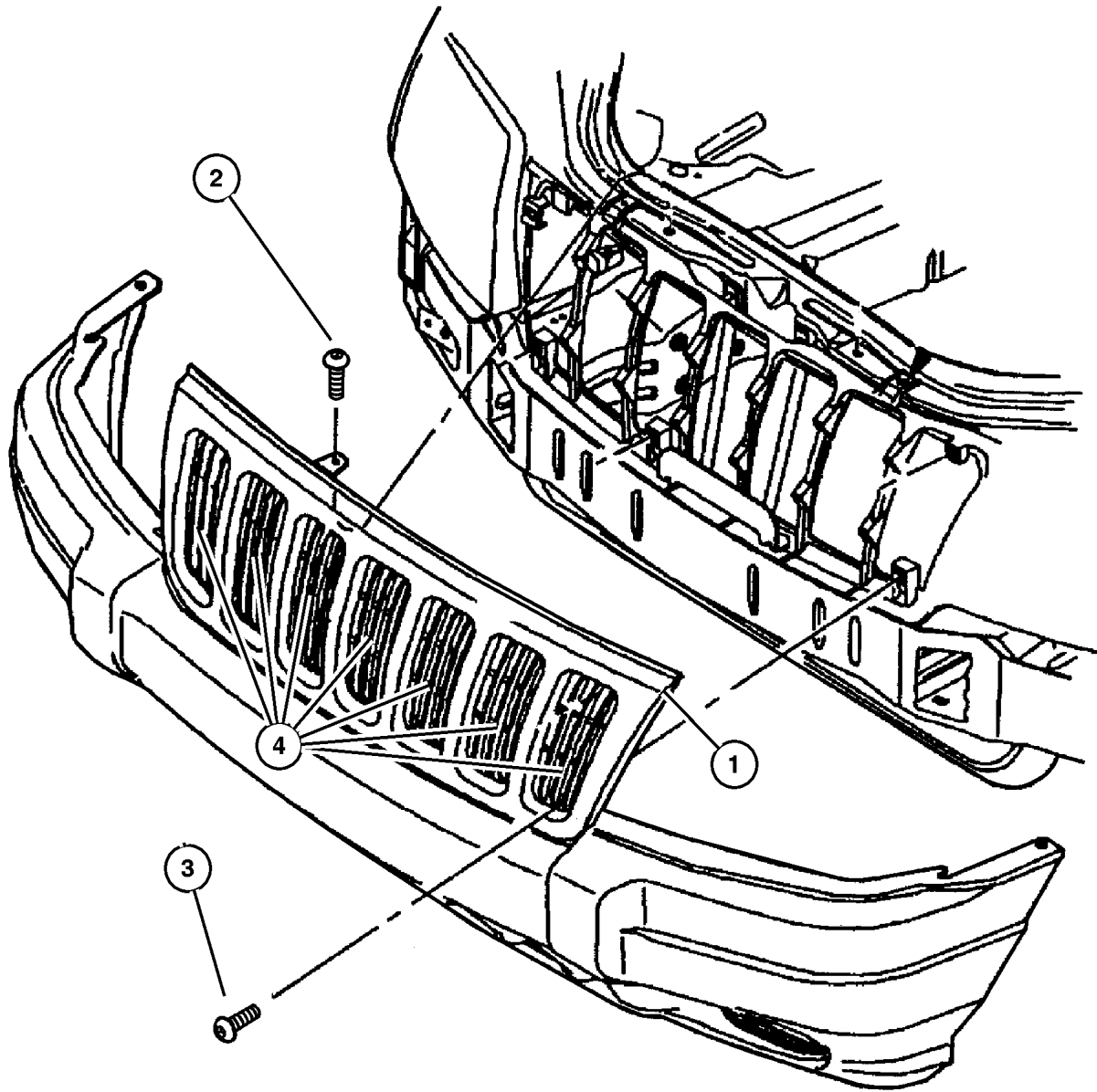
SERIES	LINE	BODY	ENGINE	TRANSMISSION
H=Laredo	J = 4WD	74 = 4 Door(105.9 WB)	ER0, ERH = 4.0L, Power Tech I-6	DGK = 4 Speed Autm, 42RE
P=Limited	T = 2WD		EV0, EVA = 4.7L, Power Tech V8	DGW = 4 Speed Automatic, -44RE
	U = 4WD (RHD)		EXA, EX0 = 3.1L, 5 Cyl Turbo Diesel	DG4 = Multi Speed Automatic, -45RFE
				DGO = All Automatic

AR = Use as required - = Non illustrated part # = New this model year

April 3, 2002

Grille and Related Parts
Figure 007-720

ITEM	PART NUMBER	QTY	LINE	ENGINE	TRANS	DESCRIPTION
1	55155 921AA	1				GRILLE, Fascia, Laredo, Chrome (Limited Serviced with Fascia)
2	6503 267	2				SCREW, Round Head, M6x1x25
3						SCREW, (NOT SERVICED)
4	5FT3 5DX9	1				GRILLE, Texture



JEEP GRAND CHEROKEE (WJ)

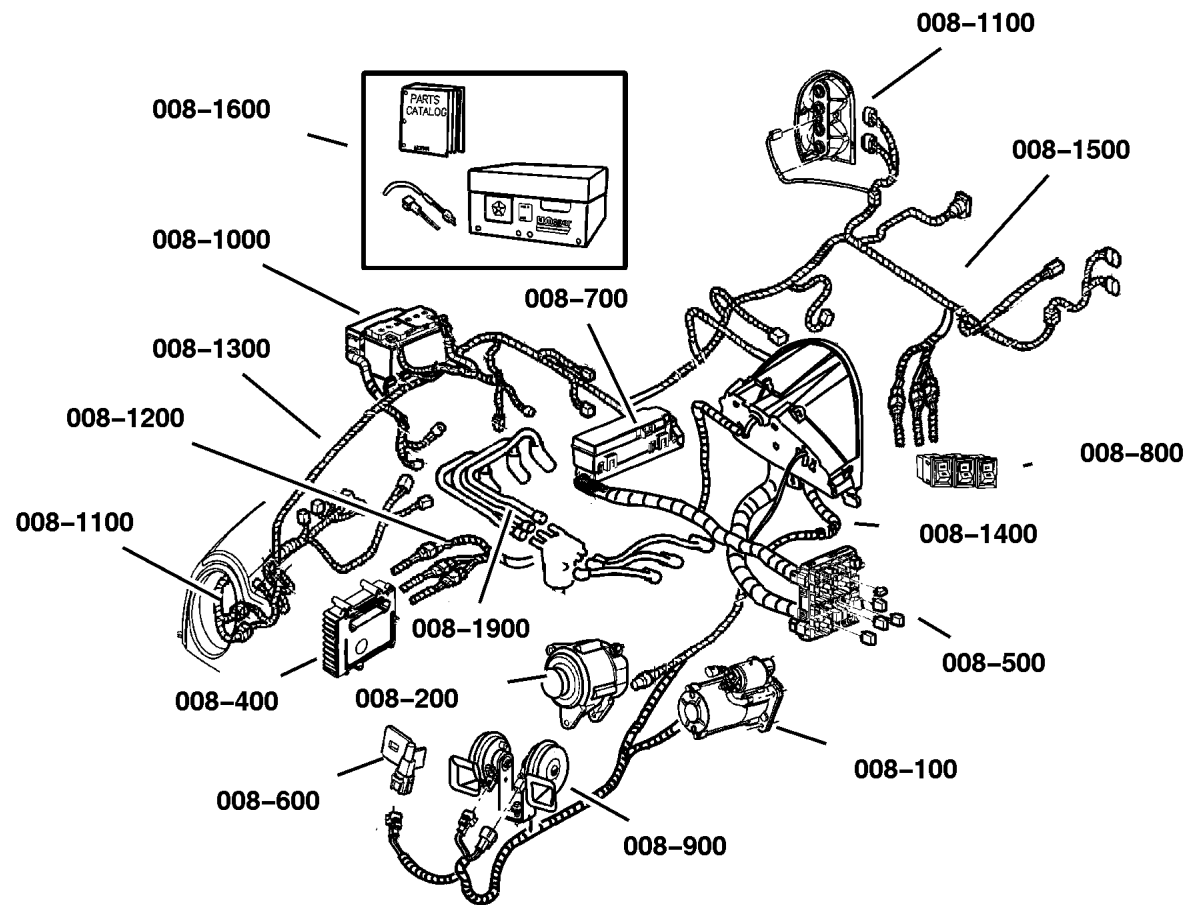
SERIES	LINE	BODY	ENGINE	TRANSMISSION
H=Laredo	J = 4WD	74 = 4 Door(105.9 WB)	ER0, ERH = 4.0L, Power Tech I-6	DGK = 4 Speed Autm, 42RE
P=Limited	T = 2WD		EVA, EVA = 4.7L, Power Tech V8	DGW = 4 Speed Automatic, -44RE
	U = 4WD (RHD)		EXA, EX0 = 3.1L, 5 Cyl Turbo Diesel	DG4 = Multi Speed Automatic, -45RFE
				DGO = All Automatic

AR = Use as required - = Non illustrated part # = New this model year

April 3, 2002

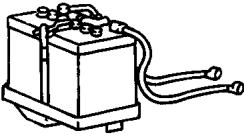
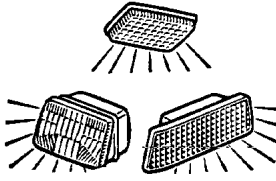
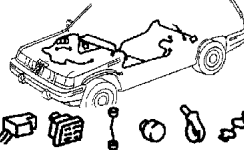


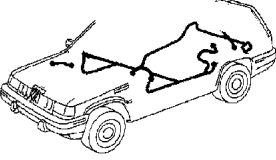
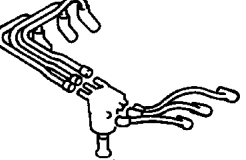
Group – 008

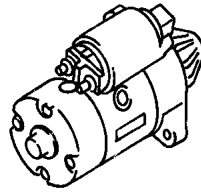
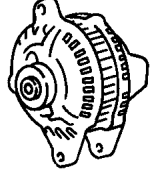
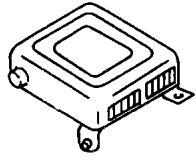
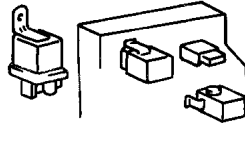
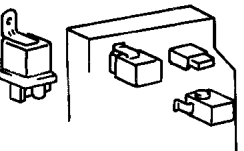
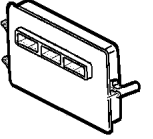
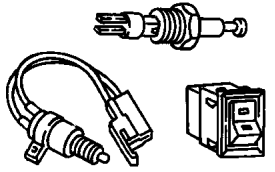
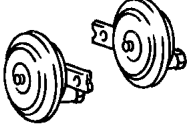
Electrical



Group – 008

Electrical

008-1000 Battery Tray and Cables 	008-1100 Lamps – Front, Rear and Courtesy 	008-1200 Wiring-Engine & Related Parts 	008-1300 Wiring-Headlamp to Dash 
008-1400 Wiring-Instrument Panel 	008-1500 Wiring-Body & Accessories 	008-1600 Wiring Repair <p style="text-align: center;">WIRING REPAIR PKG.</p>	008-1900 Spark Plugs-Cables-Coils 

008-100 Starters 	008-200 Alternators 	008-400 Modules 	008-500 Relays 
008-600 Sensors 	008-700 Single Board Engine Controllers 	008-800 Switches 	008-900 Horns 

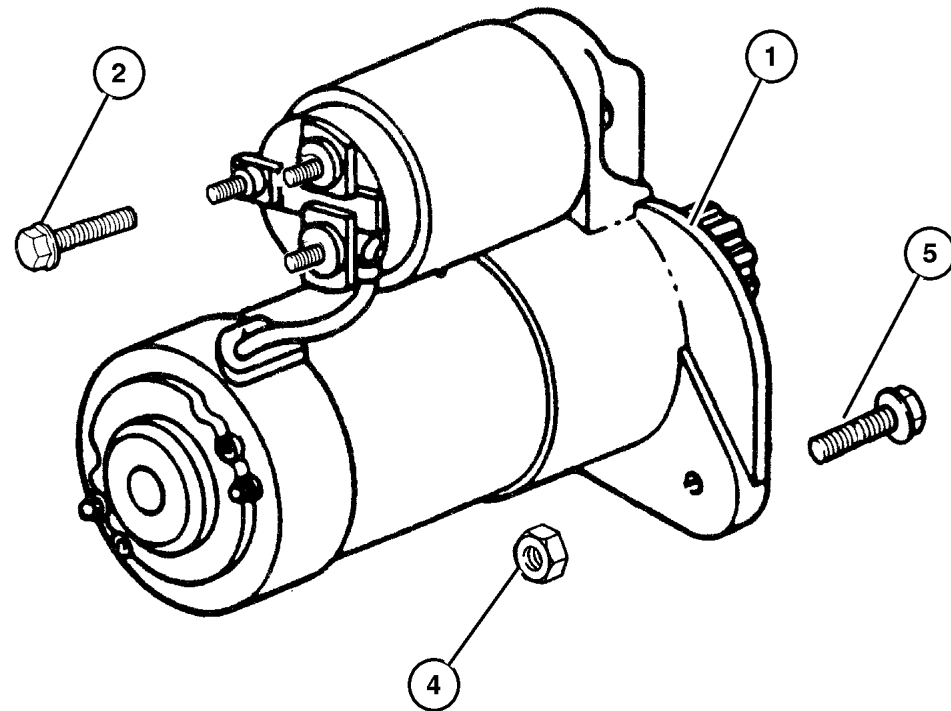


GROUP 8 - Electrical

Illustration Title	Group-Fig. No.
Starters	
Starters	Fig. 008-110
Alternators	
Alternator & Mounting 3.1L ,4.0L & 4.7L Engine	Fig. 008-210
Modules	
Modules	Fig. 008-410
Relays	
Relays	Fig. 008-510
Sensors	
Sensors	Fig. 008-610
Single Board Engine Controllers	
JTEC Modules and Solenoids	Fig. 008-710
Switches	
Switches	Fig. 008-810
Horns	
Horns	Fig. 008-910
Battery Tray and Cables	
Battery Tray & Cables	Fig. 008-1010
Lamps - Front, Rear and Courtesy	
Lamp - Front End	Fig. 008-1110
Lamp - Rear End	Fig. 008-1120
Lamp - Courtesy - Dome - Reading	Fig. 008-1130
Bulbs & Sockets	Fig. 008-1140
Wiring-Engine & Related Parts	
Wiring - Engine & Related Parts	Fig. 008-1210
Wiring-Headlamp to Dash	
Wiring - Headlamp / Dash	Fig. 008-1310
Wiring-Instrument Panel	
Wiring - Instrument Panel	Fig. 008-1410
Wiring-Body & Accessories	
Wiring - Body & Accessories	Fig. 008-1510
Wiring Repair	
Wiring Repair Packages	Fig. 008-1605
Power Distribution Center Repair	Fig. 008-1610
Spark Plugs-Cables-Coils	
Spark Plugs - Coils	Fig. 008-1910

**Starters
Figure 008-110**

ITEM	PART NUMBER	QTY	LINE	SERIES	BODY	ENGINE	TRANS	DESCRIPTION
DG4=Multi-Speed Automatic Transmission 45RFE WD-Right Hand Drive---B=2 WD-Right Hand Drive ER0=4.0L Engine WD-Right Hand Drive---B=2 WD-Right Hand Drive EV0=4.7L Engine WD-Right Hand Drive---B=2 WD-Right Hand Drive EX0=3.0L/3.1L Turbo Diesel Engine WD-Right Hand Drive---B=2 WD-Right Hand Drive								
1								STARTER
	56041 012AB	1				ER0		
	5604 1207	1				EV0		
	56041 563AA	1				EX0		
2	J400 6192	1				ER0		BOLT AND WASHER, Hex Head, .375-16x1.75
-3	6102 084AA	2				EV0		SCREW
4								NUT, M8x1.25, (NOT SERVICED)
5								SCREW AND WASHER, Hex Head, M10x1.5x28
	6503 699	1				ER0		
		8				EV0, EX0		
		4	J, U			EV0	DG4	
-6	5210 4133	1					DG4	COVER, Transmission Dust, Starter to Transmission



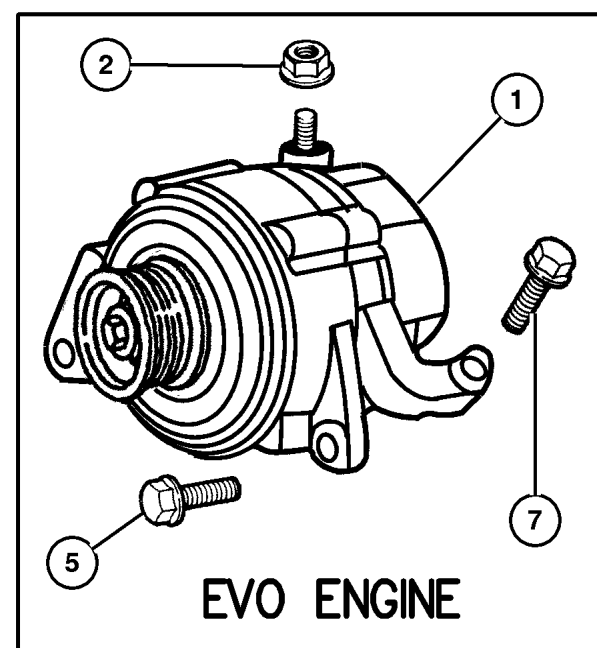
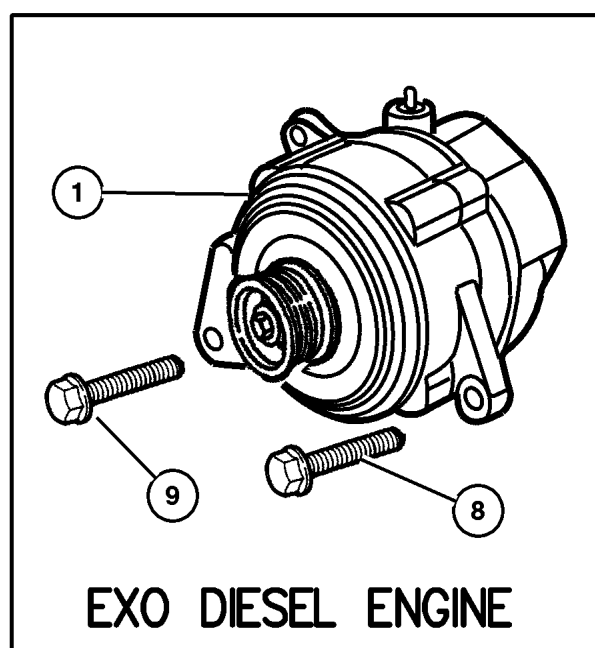
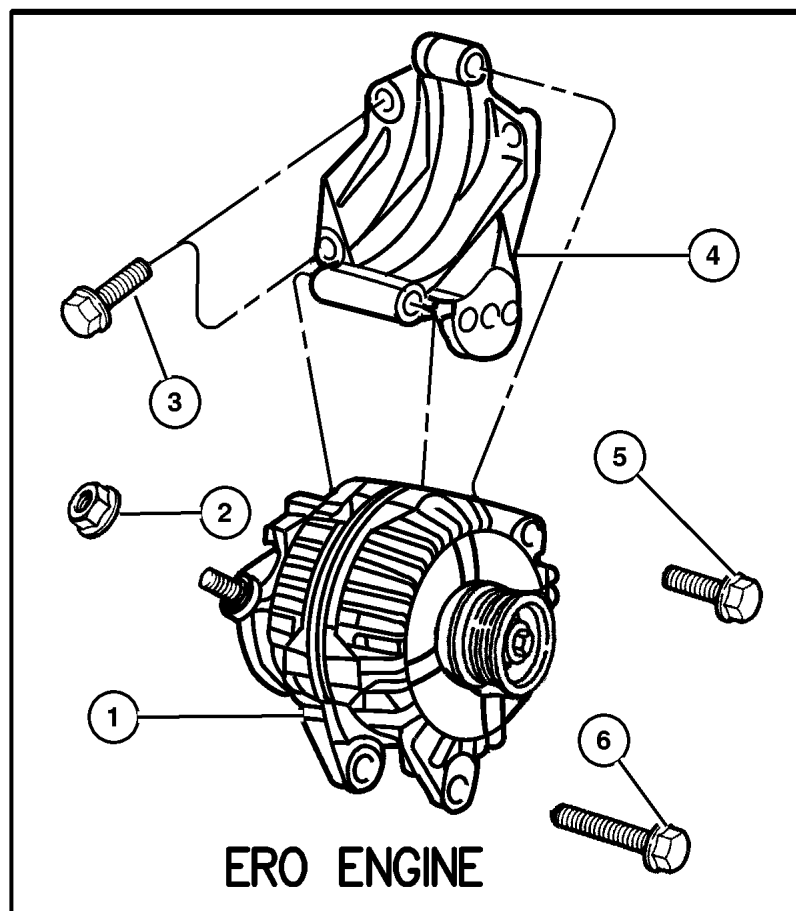
JEEP GRAND CHEROKEE (WJ)

SERIES	LINE	BODY	ENGINE	TRANSMISSION
H=Laredo	J = 4WD	74 = 4 Door(105.9 WB)	ER0, ERH = 4.0L, Power Tech I-6	DGK = 4 Speed Autm, 42RE
P=Limited	T = 2WD		EV0, EVA = 4.7L, Power Tech V8	DGW = 4 Speed Automatic, -44RE
	U = 4WD (RHD)		EXA, EX0 = 3.1L, 5 Cyl Turbo Diesel	DG4 = Multi Speed Automatic, -45RFE
				DGO = All Automatic

AR = Use as required - = Non illustrated part # = New this model year

April 3, 2002

**Alternator & Mounting 3.1L ,4.0L & 4.7L Engine
Figure 008-210**



ITEM	PART NUMBER	QTY	LINE	SERIES	BODY	ENGINE	TRANS	DESCRIPTION
ER0=4.0L Engine WD-Right Hand Drive---B=2 WD-Right Hand Drive								
EVO=4.7L Engine WD-Right Hand Drive---B=2 WD-Right Hand Drive								
EX0=3.1L Diesel Engine WD-Right Hand Drive---B=2 WD-Right Hand Drive								
EX0=3.0L/3.1L Turbo Diesel Engine WD-Right Hand Drive---B=2 WD-Right Hand Drive								
DG0=Automatic Transmission WD-Right Hand Drive---B=2 WD-Right Hand Drive								
DGW=44RE 4 Speed Automatic Transmission WD-Right Hand Drive---B=2 WD-Right Hand Drive								
HA0=Air Conditioning WD-Right Hand Drive---B=2 WD-Right Hand Drive								
1								ALTERNATOR
	5604 1322	1				ER0		136 Amp
	5015 066AA	1				EX0	DG0	
	56041 120AB	1				EVO		136 Amp (Europe)
	#56041 324AC	1				EVO		136 Amp
2	6502 691	1				ER0,	EX0	NUT, Hex Flange Lock, M6x1
						EVO,		
3								SCREW AND WASHER, Hex
	0154 854AA	4				ER0		
	6505 488AA	1				EVO		
4								BRACKET, Alternator
	4854 026	1				ER0		
	5015 072AA	1				EX0	DG0	
5								SCREW AND WASHER, Hex
	6505 488AA	1				EVO		
		1				ER0		
6	6504 344	1				ER0,		SCREW AND WASHER, Hex Head
						EVO		
7	6505 482AA	1				EVO		SCREW AND WASHER, Hex Head, M8x1.25x50
8	4897 253AA	1				EX0	DG0	BOLT, Hex Flange Head, M10x35
9	5015 067AA	1				EX0	DG0	BOLT, Hex Flange Head

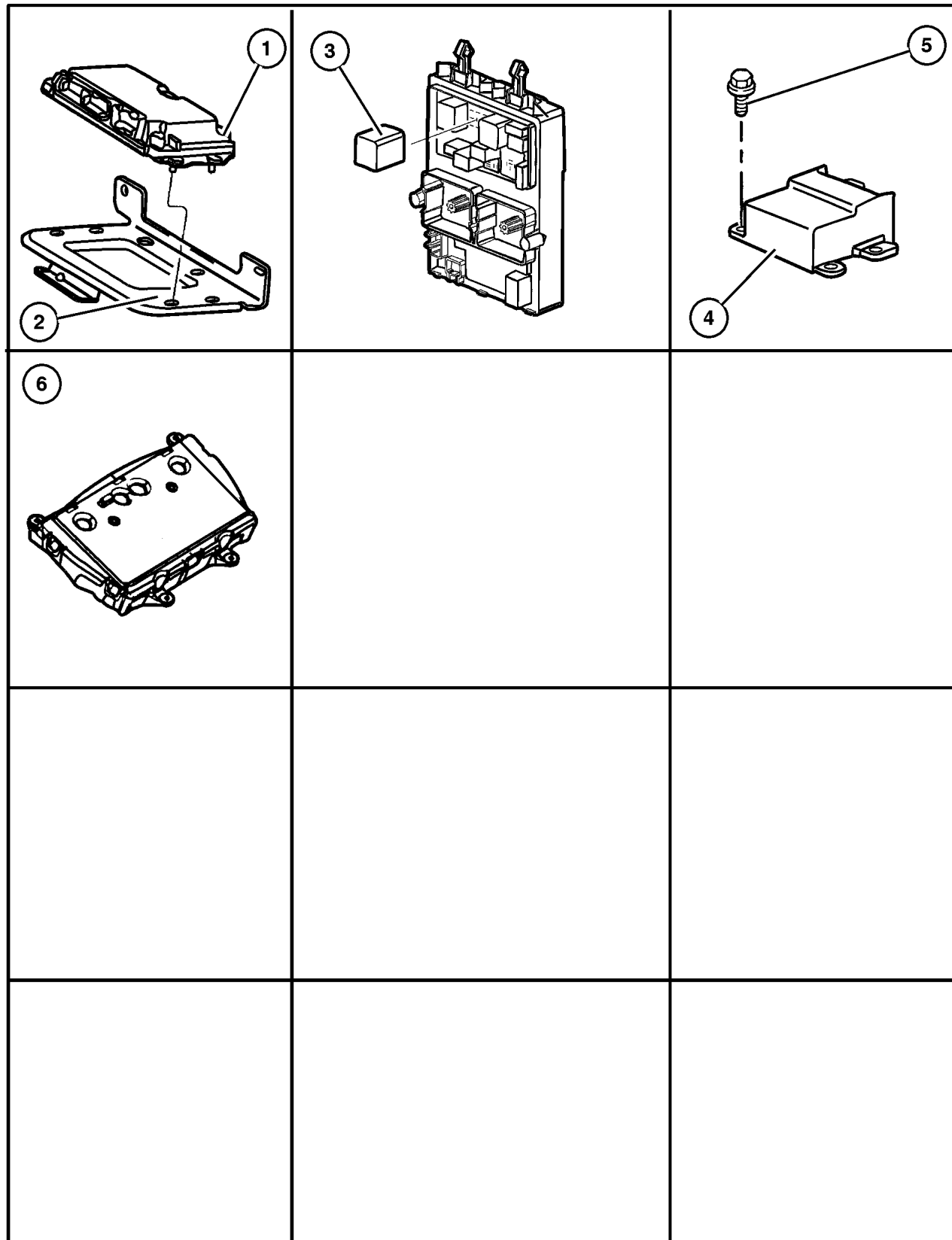
JEEP GRAND CHEROKEE (WJ)

SERIES	LINE	BODY	ENGINE	TRANSMISSION
H=Laredo	J = 4WD	74 = 4 Door(105.9 WB)	ER0, ERH = 4.0L, Power Tech I-6	DGK = 4 Speed Autm, 42RE
P=Limited	T = 2WD		EVO, EVA = 4.7L, Power Tech V8	DGW = 4 Speed Automatic, -44RE
	U = 4WD (RHD)		EXA, EX0 = 3.1L, 5 Cyl Turbo Diesel	DG4 = Multi Speed Automatic, -45RFE
				DGO = All Automatic

AR = Use as required - = Non illustrated part # = New this model year

April 3, 2002

Modules
Figure 008-410

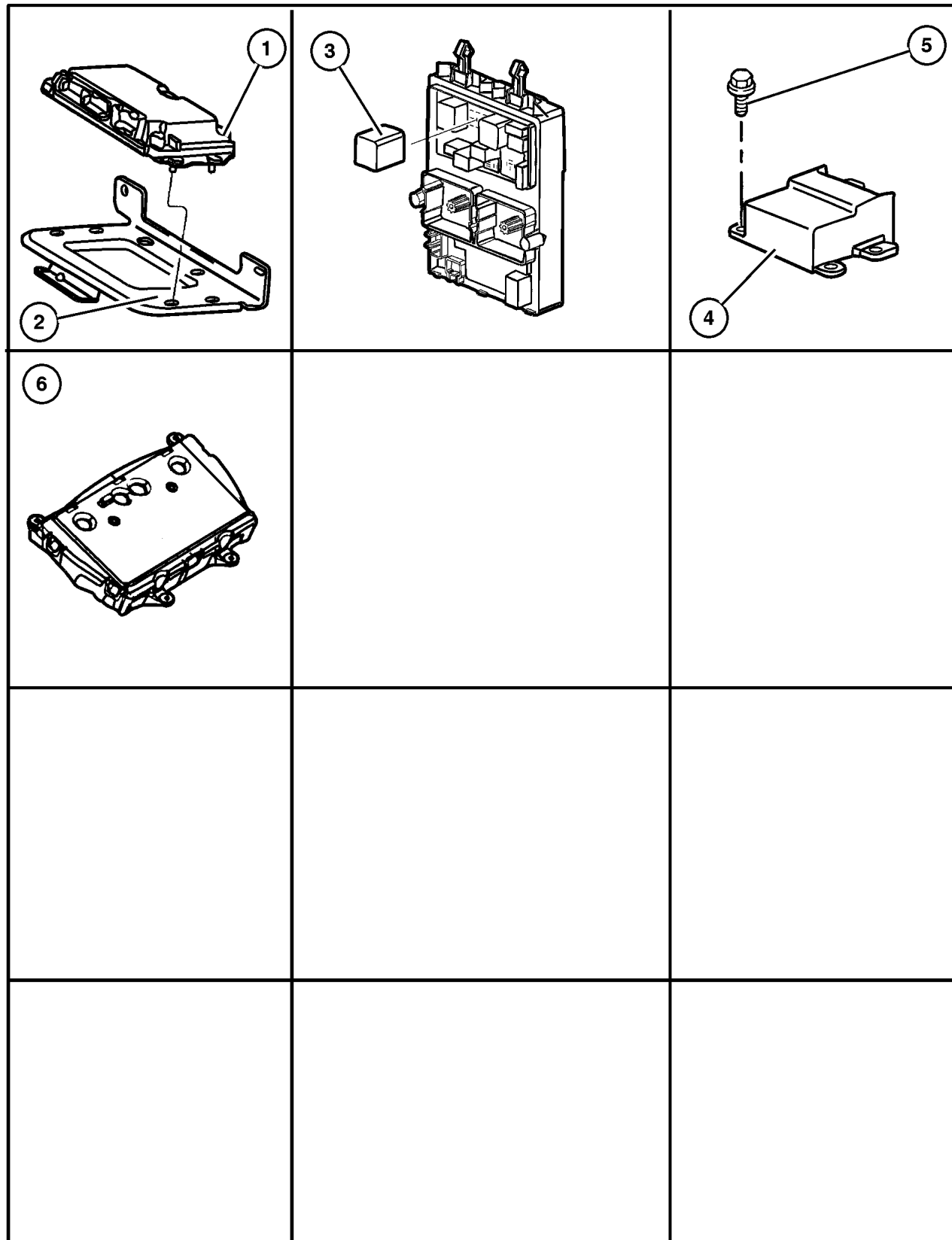


ITEM	PART NUMBER	QTY	LINE	SERIES	BODY	ENGINE	TRANS	DESCRIPTION
Note: WD-Right Hand Drive---B=2 WD-Right Hand Drive								
DG0 = All Automatic Transmissions WD-Right Hand Drive---B=2 WD-Right Hand Drive								
EM0 = All 5.9L 8 Cyl Gas Engines WD-Right Hand Drive---B=2 WD-Right Hand Drive								
ER0 = All 4.0L 6 Cyl Gas Engines WD-Right Hand Drive---B=2 WD-Right Hand Drive								
EVO = All 4.7L Gas Engines WD-Right Hand Drive---B=2 WD-Right Hand Drive								
EX0 = All Turbo Diesel Engines WD-Right Hand Drive---B=2 WD-Right Hand Drive								
HAA = Air Conditioning WD-Right Hand Drive---B=2 WD-Right Hand Drive								
1	#56041 587AA	1				EX0		MODULE, Engine Controller
2	56028 139AB	1				ER0, EVO	DG0	BRACKET, Control Unit
3	5604 1070	1				EX0	DG0	FLASHER
	4686 130	1						EUROPE
	4686 094	1						USA
4	56042 047AC	1						MODULE, Air Bag Control
5								SCREW, Hex Flange Head Tapping, M6x1.00x20.00
	6101 777	1	J, T					
		2	U			ER0, EVO,	EX0	
6								MODULE, Compass Temperature
	56042 271AD	1	J, T					w/Universal Garage Door Opener (USA/ CANADA)
	56042 273AC	1	J, T					w/o Universal Garage Door Opener (USA/CANADA)
		1	J, T					w/o Universal Garage Door Opener (EUROPE)
		1	U					w/o Universal Garage Door Opener (EUROPE)
-7								AIR BAG, Driver
	#5FA39 LAZAG	1		H				Agate
	#5FA39 VK9AG	1		P				Dark Suede
	#5FA39 WL8AG	1		P				Dark Brown
-8	4595 746AA	1						LABEL, Air Bag Warning, Right End Cap (English)
-9								SWITCH, Door Module
	55196 388AD	1	J, T	P				w/Limited Package (USA/CANADA), Right
		1	J, T	H				w/Laredo Package & 6 Speaker System (USA/CANADA), Right
		1	J, T	H				w/Laredo Package & Infinity Speaker System (USA/CANADA), Right

JEEP GRAND CHEROKEE (WJ)

SERIES	LINE	BODY	ENGINE	TRANSMISSION
H=Laredo	J = 4WD	74 = 4 Door(105.9 WB)	ER0, ERH = 4.0L, Power Tech I-6	DGK = 4 Speed Autm, 42RE
P=Limited	T = 2WD		EVO, EVA = 4.7L, Power Tech V8	DGW = 4 Speed Automatic, -44RE
	U = 4WD (RHD)		EXA, EX0 = 3.1L, 5 Cyl Turbo Diesel	DG4 = Multi Speed Automatic, -45RFE
				DGO = All Automatic

Modules
Figure 008-410



ITEM	PART NUMBER	QTY	LINE	SERIES	BODY	ENGINE	TRANS	DESCRIPTION
	55196 389AD	1	J, T	P				w/Limited Package (USA/CANADA), Left
		1	J, T	H				w/Laredo Package & 6 Speaker System (USA/CANADA), Left
		1	J, T	H				w/Laredo Package & Infinity Speaker System (USA/CANADA), Left
	55196 391AC	1	U	H				EUROPE, Driver Side
	55196 398AC	1	U	H				EUROPE, Passenger Side
	56042 290AC	1	J, T	P				EUROPE, Right
	56042 497AC	1	J, T	P				EUROPE, Left
	56042 602AB	1	U	H				JAPAN, Driver Side
	56042 603AB	1	U	P				JAPAN, Passenger Side
-10	56042 612AA	1	U					MODULE, Keyless Entry, Keyless Entry Module Serviced w/Passenger Door Switch Module (Except JAPAN) , JAPAN
-11								MODULE, Seat Memory
	56042 304AF	1	J, T					W/O Heated Seats (USA/CANADA) [EL]
	56042 305AF	1	J, T					W/Heated Seats (USA/CANADA) [EL]
		1	U					W/Heated Seat (EUROPE) [EL]
		1	J, T					W/Heated Seat (EUROPE) [EL]
	56042 304AF	1	J, T					W/O Heated Seats (USA/CANADA) [DL]
		1	J, T					W/O Heated Seats (MEXICO) [DL]
	56042 305AF	1	J, T					W/Heated Seats (MEXICO) [DL]
		1	J, T					W/ Heated Seats (MEXICO) [DL]
		1	J, T					W/ Heated Seats (MEXICO) [EL]
-12	56042 493AF	1	J, T					MODULE, Heated Seat Control, W/Power Leather Seats [FL]
-13	#56042 498AK	1						MODULE, Body Controller
-14	#56041 328AK	1					DG4	MODULE, Transmission Control, w/Model # 45RFE Transmission

JEEP GRAND CHEROKEE (WJ)

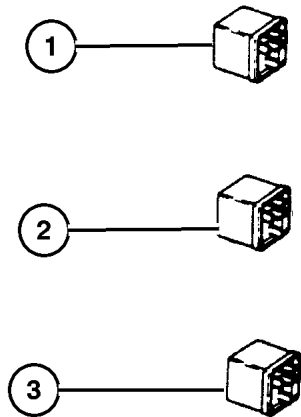
SERIES	LINE	BODY	ENGINE	TRANSMISSION
H=Laredo	J = 4WD	74 = 4 Door(105.9 WB)	ER0, ERH = 4.0L, Power Tech I-6	DGK = 4 Speed Autm, 42RE
P=Limited	T = 2WD		EVO, EVA = 4.7L, Power Tech V8	DGW = 4 Speed Automatic, -44RE
	U = 4WD (RHD)		EXA, EX0 = 3.1L, 5 Cyl Turbo Diesel	DG4 = Multi Speed Automatic, -45RFE
				DGO = All Automatic

AR = Use as required - = Non illustrated part # = New this model year

April 3, 2002

Relays Figure 008-510

ITEM	PART NUMBER	QTY	LINE	SERIES	BODY	ENGINE	TRANS	DESCRIPTION
1	4707 286AD	1						RELAY, Electrical, Fog Lamp, Headlamp, Sunroof & Rear Fog Lamp
2	56042 216AB	1	J, T					RELAY
3	4707 286AD	1						RELAY, Electrical
-4	4671 168	2						RELAY, Mini
-5	CEP0 7710	1						RELAY PACKAGE, Electrical, Radiator Fan



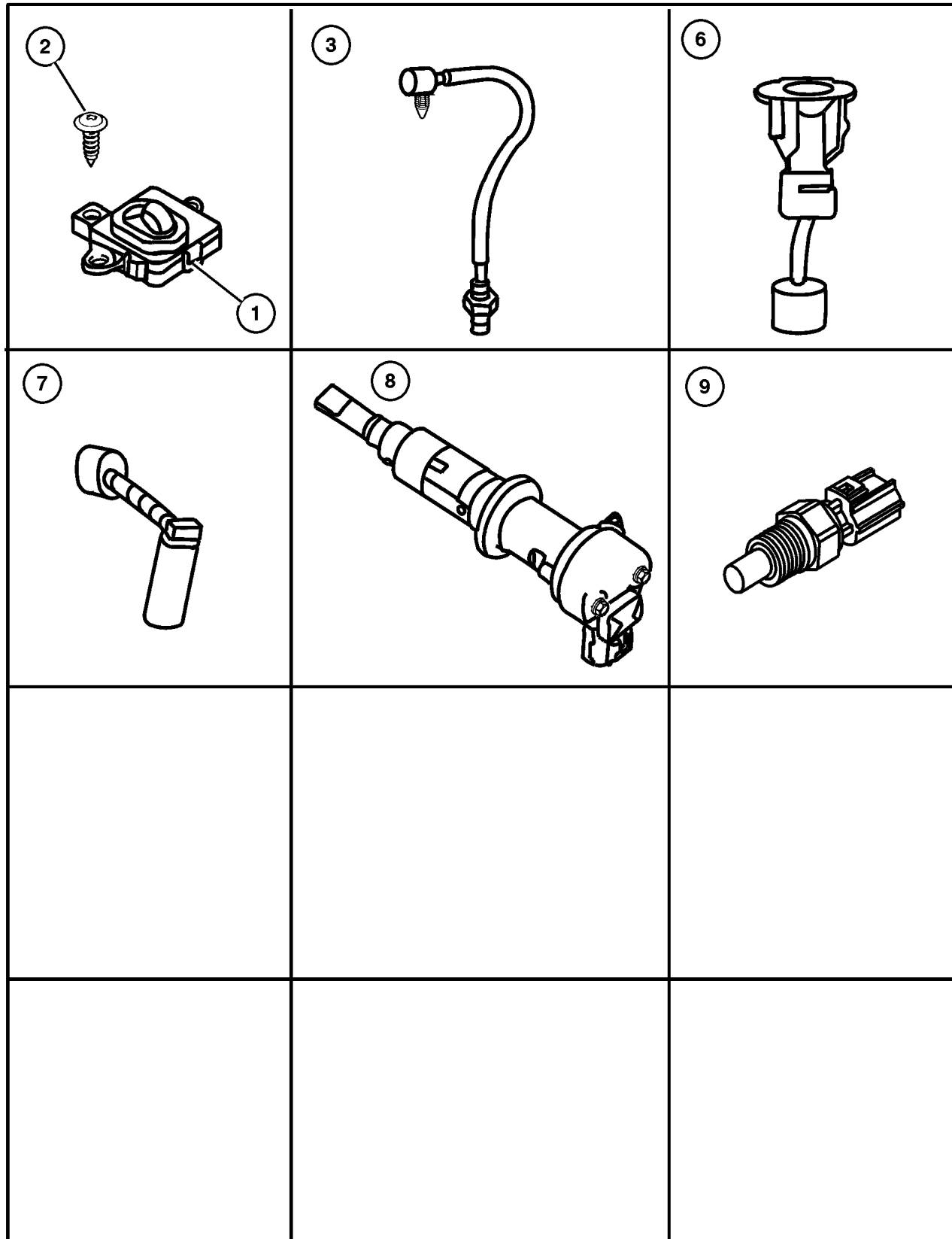
JEEP GRAND CHEROKEE (WJ)

SERIES	LINE	BODY	ENGINE	TRANSMISSION
H=Laredo	J = 4WD	74 = 4 Door(105.9 WB)	ER0, ERH = 4.0L, Power Tech I-6	DGK = 4 Speed Autm, 42RE
P=Limited	T = 2WD		EV0, EVA = 4.7L, Power Tech V8	DGW = 4 Speed Automatic, -44RE
	U = 4WD (RHD)		EXA, EX0 = 3.1L, 5 Cyl Turbo Diesel	DG4 = Multi Speed Automatic, -45RFE
				DGO = All Automatic

AR = Use as required - = Non illustrated part # = New this model year

April 3, 2002

Sensors Figure 008-610



ITEM	PART NUMBER	QTY	LINE	SERIES	BODY	ENGINE	TRANS	DESCRIPTION
ER0=4.0L Engine WD-Right Hand Drive---B=2 WD-Right Hand Drive								
EVO=4.7L Engine WD-Right Hand Drive---B=2 WD-Right Hand Drive								
EX0=3.0L/3.1L Turbo Diesel Engine WD-Right Hand Drive---B=2 WD-Right Hand Drive								
DG0=Automatic Transmission WD-Right Hand Drive---B=2 WD-Right Hand Drive								
DGW= Automatic Transmission 4 Speed Automatic 44RE WD-Right Hand Drive---B=2 WD-Right Hand Drive								
DGK=Automatic Transmission 4 Speed WD-Right Hand Drive---B=2 WD-Right Hand Drive								
DG4=Automatic Transmission Multi-Speed WD-Right Hand Drive---B=2 WD-Right Hand Drive								
1	56042 584AA	1						SENSOR, Headlamp, Auto Headlamp
2	6101 946	3						SCREW, Tapping
3								SENSOR, Oxygen
	56041 345AD	1	J, U			EVO		14' Pigtail w/Stud Clip (After Catalyst) European III Emission
	56041 676AA	1				ER0		10.5' Pigtail (Before Catalyst) California & Export Emission
	56041 344AD	1	J, T			ER0		14' Pigtail (After Catalyst) Federal, Export Emission
	56041 212AE	1				ER0		18' Pigtail (After Catalyst) California/ European III Emission
	56041 212AF	2				ER0		12' Pigtail (After Catalyst) California, Export & European III Emission
	56028 235AA	1				EVO		12' Pigtail (After Catalyst) California/ European III Emission
	56028 232AA	1				EVO		18' Pigtail (Before Catalyst) California/ European III Emission
	56041 345AD	1	J, T			EVO		14' Pigtail (After Catalyst) California, Export & European III Emission
	56028 233AA	1				EVO		12' Pigtail (Before Catalyst) Federal, California, Export & European III Emission
	56041 676AA	1				ER0		10.5' Pigtail (Before Catalyst) Federal, European II & III Emission
-4	56041 675AA	1				ER0		SHIELD, Heat, Oxygen Sensor
-5	J420 0413	2				ER0,		PLUG, Cylinder Block Oil Hole, Without
						EVO		Oxygen Upstream Sensor
6	5604 1053	1						SENSOR, Battery Temperature
7	56041 080AB	1				EX0		SENSOR, Engine Speed
8								SENSOR, Coolant Temperature
	5602 7873	1				ER0		
		1				EVO		
9								SENSOR, Air Temperature
	5602 7872	1				ER0		
		1				EVO		

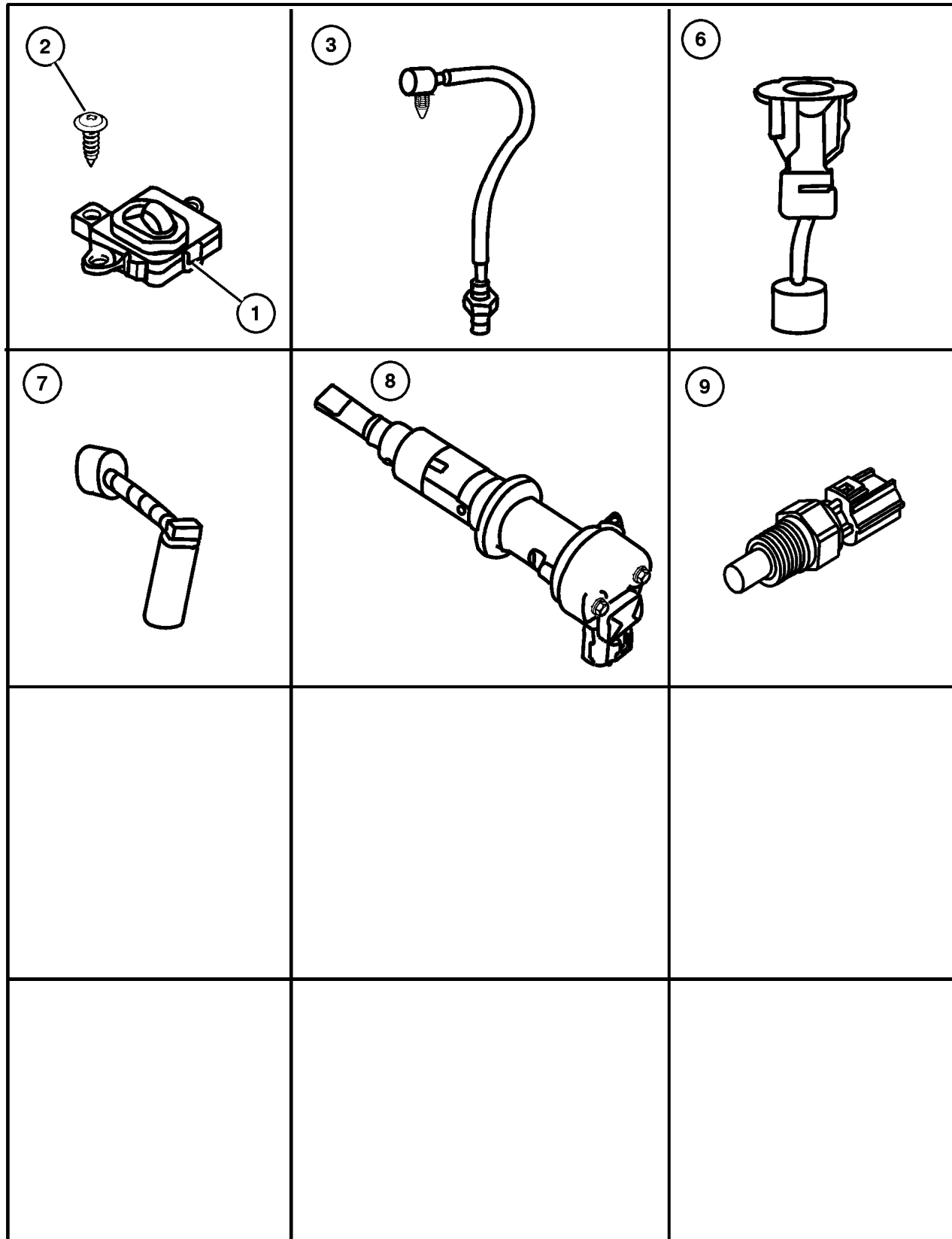
JEEP GRAND CHEROKEE (WJ)

SERIES	LINE	BODY	ENGINE	TRANSMISSION
H=Laredo	J = 4WD	74 = 4 Door(105.9 WB)	ER0, ERH = 4.0L, Power Tech I-6	DGK = 4 Speed Autm, 42RE
P=Limited	T = 2WD		EVO, EVA = 4.7L, Power Tech V8	DGW = 4 Speed Automatic, -44RE
	U = 4WD (RHD)		EXA, EX0 = 3.1L, 5 Cyl Turbo Diesel	DG4 = Multi Speed Automatic, -45RFE
				DGO = All Automatic

AR = Use as required - = Non illustrated part # = New this model year

April 3, 2002

Sensors
Figure 008-610



ITEM	PART NUMBER	QTY	LINE	SERIES	BODY	ENGINE	TRANS	DESCRIPTION
	5003 734AA	1				EX0	DG0	
-10	56028 133AC	1				EVO		SENSOR, Camshaft
	4897 023AA	1				ER0		
-11	J318 1288	1				ER0		GASKET, Distributor
-12	3300 4242	1				ER0		CLAMP, Distributor
-13	56028 136AB	1				EVO		SENSOR, Crankshaft Position
-14	4897 321AA	1				ER0	DG0	SENSOR PACKAGE, Crankshaft Position
-15								SENSOR, Throttle Position
	4874 371AC	1				ER0		
	4882 219AB	1				EVO		
-16								SENSOR, Ambient Temperature
	5604 2395	1	U	H				
		1	J, T	H				
-17								SENSOR, Map
	5602 9405	1				ER0		
	5604 1018	1				EVO		
-18								SENSOR, Transmission Output Speed
	4799 061	2	J, U				DG4	
		2	T				DG4	
	4800 879	1	T				DGK	
		1	J, U				DGK	
		1	J, U				DGW	
-19								O RING
	4799 062	2	T				DG4	Speed Sensor
		2	J, U				DG4	Speed Sensor
-20								TRANSDUCER, Pressure Sensor
	4799 758AB	1	T				DG4	
		1	J, U				DG4	
	#56028 196AA	AR	T				DGK	
		AR	J, U				DGK	
		1	J, U				DGW	
-21	55077 244AA	1						SENSOR, Washer Fluid Level, Front & Rear
-22	8220 4688	1	J, T	H, P	74			SENSOR KIT, Shock
-23								SENDING UNIT, Oil Pressure
	56028 807AA	1				ER0		USA/CANADA
		1				EVO		USA/CANADA
		1				EX0		EUROPE
-24								BRACKET, Oxygen Sensor
	56041 478AA	1				EVO		Rear
	56041 400AA	2				ER0		Upper Fuel Rail

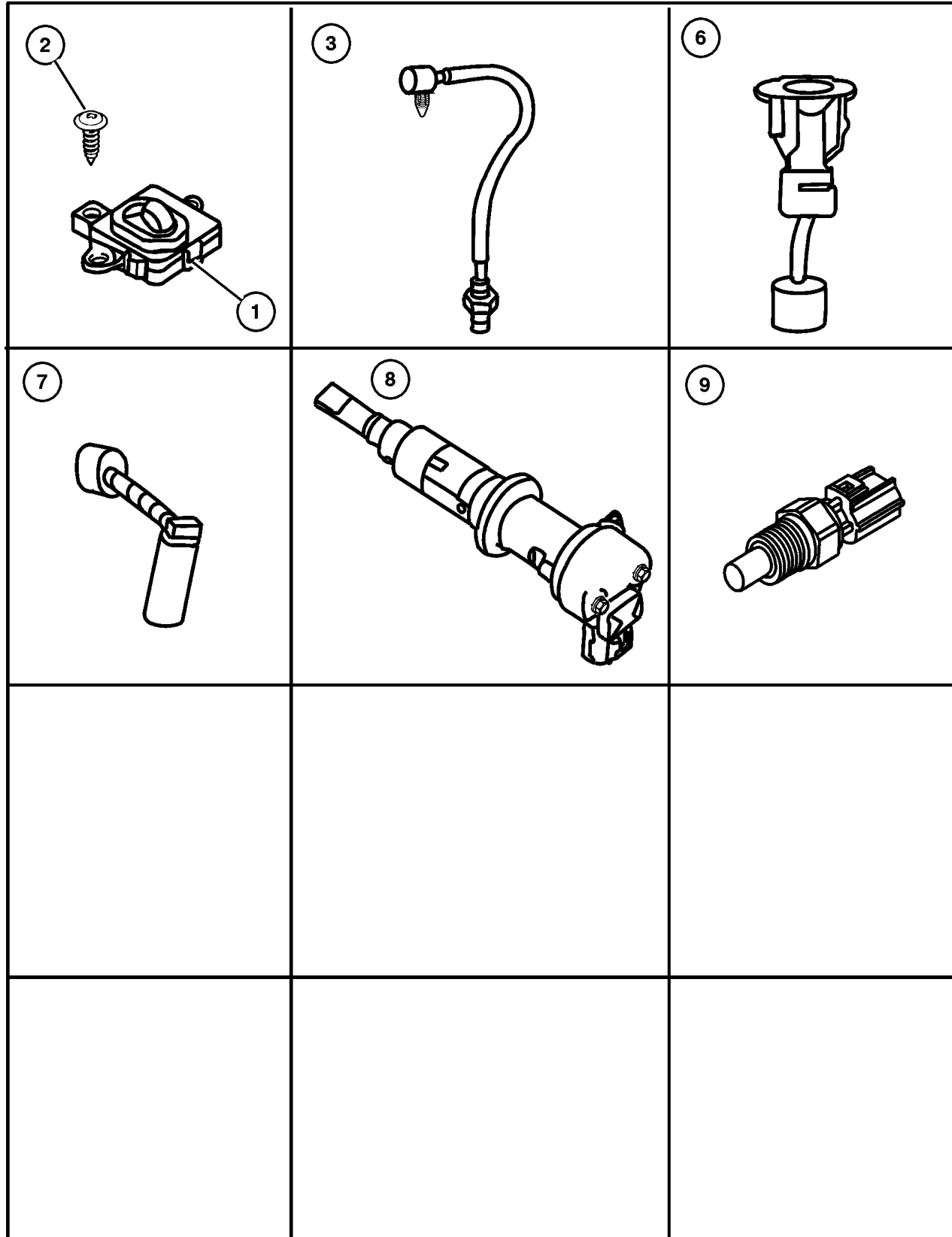
JEEP GRAND CHEROKEE (WJ)

SERIES	LINE	BODY	ENGINE	TRANSMISSION
H=Laredo	J = 4WD	74 = 4 Door(105.9 WB)	ER0, ERH = 4.0L, Power Tech I-6	DGK = 4 Speed Autm, 42RE
P=Limited	T = 2WD		EVO, EVA = 4.7L, Power Tech V8	DGW = 4 Speed Automatic, -44RE
	U = 4WD (RHD)		EXA, EX0 = 3.1L, 5 Cyl Turbo Diesel	DG4 = Multi Speed Automatic, -45RFE
				DGO = All Automatic

AR = Use as required - = Non illustrated part # = New this model year

April 3, 2002

Sensors
Figure 008-610



ITEM	PART NUMBER	QTY	LINE	SERIES	BODY	ENGINE	TRANS	DESCRIPTION
	56041 434AA	1				EVO		Lower Front Block
-25								SENSOR, Wheel Speed
	56041 317AB	1	U					Front Left
	56041 316AB	1	U					Front Right
	56041 308AA	1						Rear Right
	56041 509AA	1						Rear Left
	56041 316AB	1	J					Front Right
		1	T					Front Right
	56041 317AB	1	J					Front Left
		1	T					Front Left

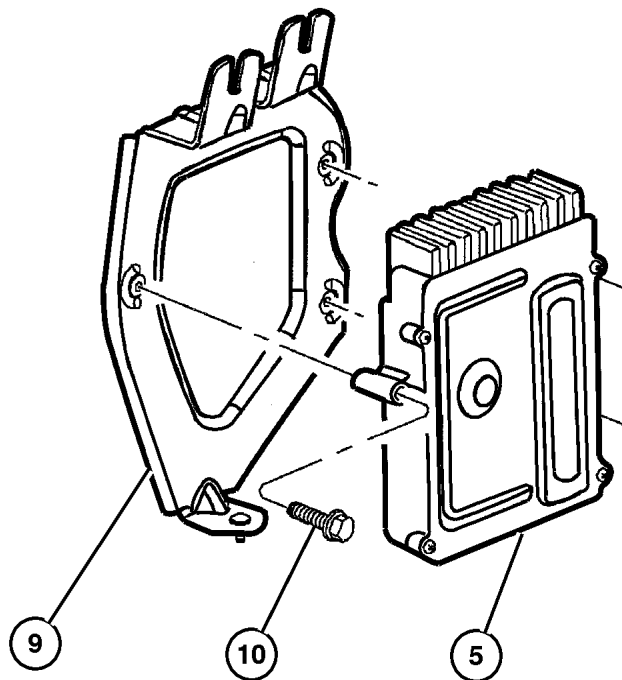
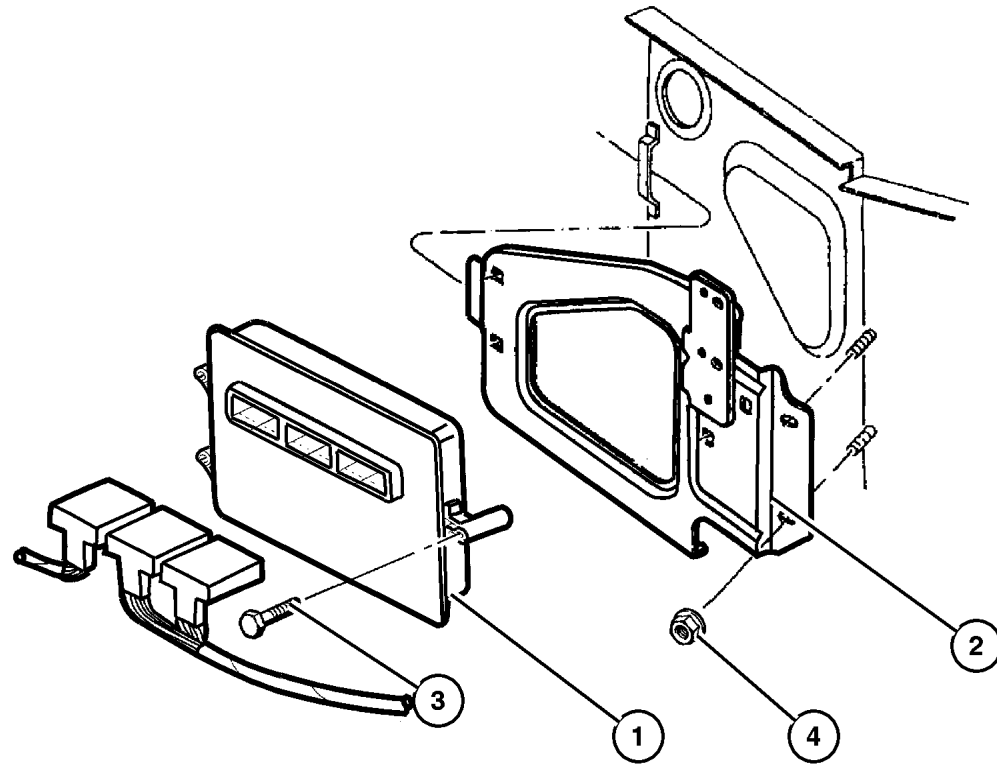
JEEP GRAND CHEROKEE (WJ)

SERIES	LINE	BODY	ENGINE	TRANSMISSION
H=Laredo	J = 4WD	74 = 4 Door(105.9 WB)	ER0, ERH = 4.0L, Power Tech I-6	DGK = 4 Speed Autm, 42RE
P=Limited	T = 2WD		EVO, EVA = 4.7L, Power Tech V8	DGW = 4 Speed Automatic, -44RE
	U = 4WD (RHD)		EXA, EX0 = 3.1L, 5 Cyl Turbo Diesel	DG4 = Multi Speed Automatic, -45RFE
				DGO = All Automatic

AR = Use as required - = Non illustrated part # = New this model year

April 3, 2002

JTEC Modules and Solenoids
Figure 008-710



ITEM	PART NUMBER	QTY	LINE	SERIES	BODY	ENGINE	TRANS	DESCRIPTION
ER0=4.0L Engine WD-Right Hand Drive---B=2 WD-Right Hand Drive								
EVO=4.7L Engine WD-Right Hand Drive---B=2 WD-Right Hand Drive								
EX0=3.0L/3.1L Turbo Diesel Engine WD-Right Hand Drive---B=2 WD-Right Hand Drive								
DG0=Automatic Transmission WD-Right Hand Drive---B=2 WD-Right Hand Drive								
DGW= Automatic Transmission 4 Speed Automatic 44RE WD-Right Hand Drive---B=2 WD-Right Hand Drive								
DGK=Automatic Transmission 4 Speed WD-Right Hand Drive---B=2 WD-Right Hand Drive								
DG4=Automatic Transmission Multi-Speed WD-Right Hand Drive---B=2 WD-Right Hand Drive								
1								MODULE, Powertrain Control
	#56041 637AC	1				ER0	DG0	Federal Emission
	#56041 638AC	1				ER0	DG0	California Emission
	#56041 642AB	1				EX0	DG0	
	#56041 688AB	1				ER0	DG0	European III Emission
	#56041 689AB	1				ER0	DG0	Export Emission Package w/o Japan
								Market Requirements
	#56041 690AB	1				ER0	DG0	Leaded Fuel Emission
	#56041 870AA	1				EVO	DG0	Leaded Fuel Emission
	#56044 668AC	1	J, U			EVO	DG0	California Emission
	#56044 683AC	1	J, U			EVO	DG0	Federal Emission
	#56044 684AC	1	T			EVO	DG0	Federal Emission
	#56044 687AC	1	T			EVO	DG0	California Emission
2								BRACKET, Control Unit
	5602 8140	1	U			ER0, EVO	DG0	JTEC Module
	56028 139AB	1				ER0, EVO	DG0	JTEC Module
	5602 8140	1				EX0	DG0	JTEC Module
3	6035 884	3						SCREW
4	6503 102	2						NUT AND WASHER, Hex Nut-Coned Washer, M6 x 1.00
5	#56041 328AK	1					DG4	MODULE, Transmission Control
-6								SOLENOID, Transmission
	4799 934AB	1	J, U				DG4	
		1	T				DG4	
-7								SOLENOID, Transmission Governor
	4617 210	1	T				DGK	
		1	J, U				DGK	
		1	J, U				DGW	
-8								SOLENOID, Transmission Overdrive
	#52118 500AB	1	T				DGK	
		1	J, U				DGK	
		1	J, U				DGW	
9	5604 1045	1	J, T				DG4	BRACKET, Control Unit, Transmission Control

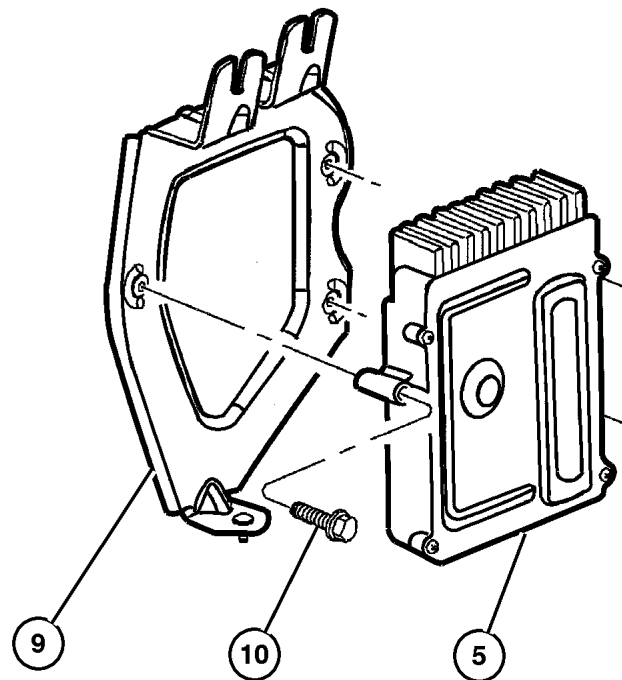
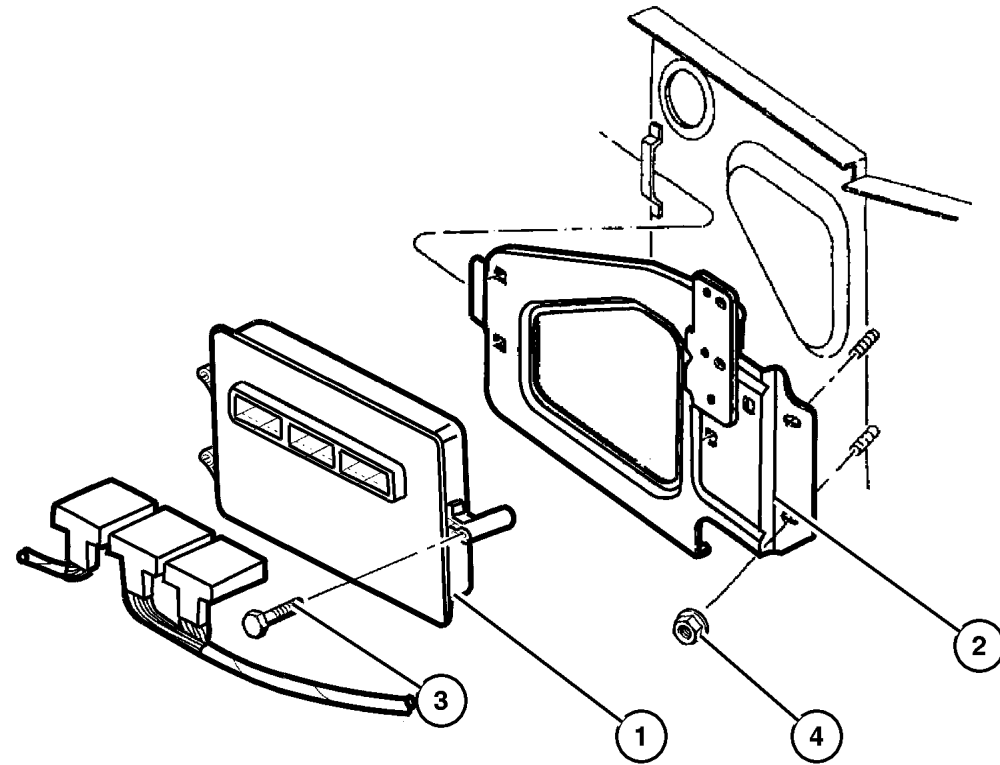
JEEP GRAND CHEROKEE (WJ)

SERIES	LINE	BODY	ENGINE	TRANSMISSION
H=Laredo	J = 4WD	74 = 4 Door(105.9 WB)	ER0, ERH = 4.0L, Power Tech I-6	DGK = 4 Speed Autm, 42RE
P=Limited	T = 2WD		EVO, EVA = 4.7L, Power Tech V8	DGW = 4 Speed Automatic, -44RE
	U = 4WD (RHD)		EXA, EX0 = 3.1L, 5 Cyl Turbo Diesel	DG4 = Multi Speed Automatic, -45RFE
				DGO = All Automatic

AR = Use as required - = Non illustrated part # = New this model year

April 3, 2002

JTEC Modules and Solenoids
Figure 008-710



ITEM	PART NUMBER	QTY	LINE	SERIES	BODY	ENGINE	TRANS	DESCRIPTION
10	6035 884	3				EVO	DG4	SCREW
-11	6503 825	3						NUT AND WASHER, Hex Nut-Coned Washer, M6 x 1.00
-12	6100 515	4				EX0		NUT, Hex Flange Lock, M5
-13	6503 846	2				EX0	DG0	STUD, Single Ended, Knurled, Pilot Point, M6x1.00x20.00
-14	#56041 587AA	1				EX0		MODULE, Engine Controller
-15	5604 1070	1				EX0	DG0	BRACKET, Control Unit, Engine Controller

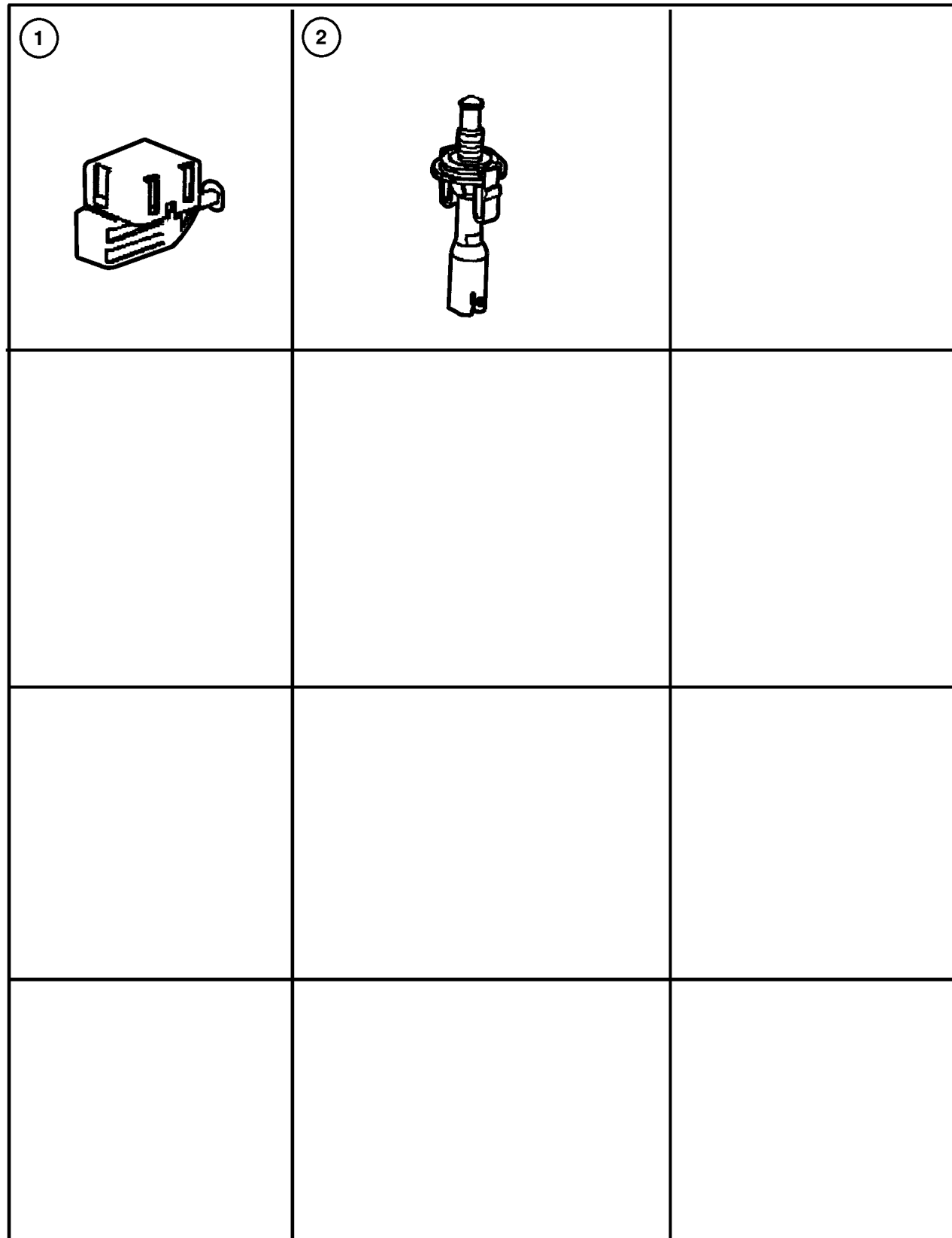
JEEP GRAND CHEROKEE (WJ)

SERIES	LINE	BODY	ENGINE	TRANSMISSION
H=Laredo	J = 4WD	74 = 4 Door(105.9 WB)	ER0, ERH = 4.0L, Power Tech I-6	DGK = 4 Speed Autm, 42RE
P=Limited	T = 2WD		EVO, EVA = 4.7L, Power Tech V8	DGW = 4 Speed Automatic, -44RE
	U = 4WD (RHD)		EXA, EX0 = 3.1L, 5 Cyl Turbo Diesel	DG4 = Multi Speed Automatic, -45RFE
				DGO = All Automatic

AR = Use as required - = Non illustrated part # = New this model year

April 3, 2002

Switches Figure 008-810

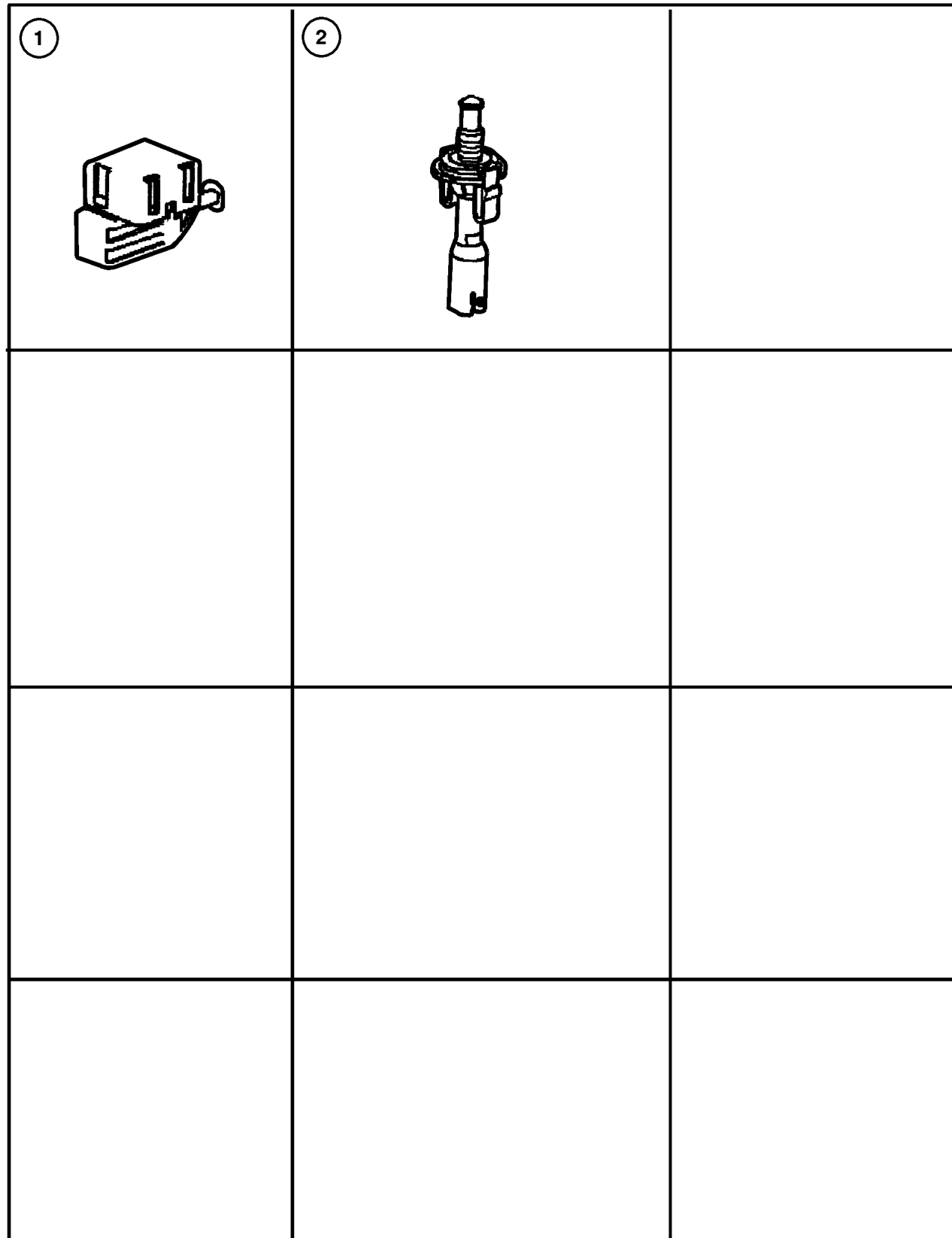


ITEM	PART NUMBER	QTY	LINE	SERIES	BODY	ENGINE	TRANS	DESCRIPTION
ER0=4.0L Engine WD-Right Hand Drive---B=2 WD-Right Hand Drive								
EVO=4.7L Engine WD-Right Hand Drive---B=2 WD-Right Hand Drive								
EX0=3.0L/3.1L Turbo Diesel Engine WD-Right Hand Drive---B=2 WD-Right Hand Drive								
DG0=Automatic Transmission WD-Right Hand Drive---B=2 WD-Right Hand Drive								
DGW= Automatic Transmission 4 Speed Automatic 44RE WD-Right Hand Drive---B=2 WD-Right Hand Drive								
DGK=Automatic Transmission 4 Speed WD-Right Hand Drive---B=2 WD-Right Hand Drive								
DG4=Automatic Transmission Multi-Speed WD-Right Hand Drive---B=2 WD-Right Hand Drive								
1	4671 336	1						SWITCH, Stop Lamp
2	4707 875AB	1						SWITCH, Underhood
-3	56042 582AA	1						PLATE, Striker, Hood Switch (EUROPE)
-4								SWITCH, Speed Control
	#5GY38 1AZAA	1			H			Agate, Right
	#5GY38 1K9AA	1			P			Suede, Right
	#5GY38 1L8AA	1			P			Brown, Right
	#5GY39 1AZAA	1			H			Agate, Left
	#5GY39 1K9AA	1			P			Suede, Left
	#5GY39 1L8AA	1			P			Brown, Left
-5								SWITCH, Remote Radio
	56042 312AB	1			H			Right
	56042 313AB	1			H			Left
-6								SWITCH, Power Window
	5604 2057	1			H			
	5519 6424	1			P			
-7	56042 450AB	1			H			SWITCH, Flipper Window
-8								SWITCH, Memory Selector
	56042 291AB	1	J, T		P			
	56042 292AB	1	U		P			
-9								SWITCH
	5604 2387	2	J, T					Lumbar Control
		2	U					Lumbar Control
-10								SWITCH, Seat
	4373 666	2	U					
		2	J, T					
-11								KNOB, Power Seat Switch
	4607 042	1	J, T					Right
		1	U					Right
	4607 043	1	J, T					Left
		1	U					Left
-12								SWITCH, Neutral, Safety, Back Up
	3747 361	1	T				DGK	
		1	J, U				DGK	
		1	J, U				DGW	
-13								SWITCH, Security Alarm

JEEP GRAND CHEROKEE (WJ)

SERIES	LINE	BODY	ENGINE	TRANSMISSION
H=Laredo	J = 4WD	74 = 4 Door(105.9 WB)	ER0, ERH = 4.0L, Power Tech I-6	DGK = 4 Speed Autm, 42RE
P=Limited	T = 2WD		EVO, EVA = 4.7L, Power Tech V8	DGW = 4 Speed Automatic,
	U = 4WD (RHD)		EXA, EX0 = 3.1L, 5 Cyl Turbo Diesel	-44RE
				DG4 = Multi Speed Automatic,
				-45RFE
				DGO = All Automatic

Switches Figure 008-810



ITEM	PART NUMBER	QTY	LINE	SERIES	BODY	ENGINE	TRANS	DESCRIPTION
	55136 557AA	1	J, T					
		1	U					
-14	4685 445	1	J, T					SWITCH, Reading Lamp
		1	U					
-15	56042 299AE	1	J, T					SWITCH, Multifunction Up to 4/27/99, Left H/Lamp, w/o Automatic H/Lamp & w/o Dual Road Foglamp (USA/CANADA)
	56042 300AE	1	J, T					Up to 4/27/99, Left H/Lamp, w/o Automatic H/Lamp & w/Dual Road Foglamp (USA/CANADA)
	56042 301AE	1	J, T					Left H/Lamp, w/Automatic H/Lamp & w/o Dual Road Foglamp (USA/CANADA)
	56042 302AE	1	J, T					Up to 4/27/99, Left H/Lamp, w/ Automatic H/Lamp & w/Dual Road Foglamp (USA/CANADA)
	56042 303AD	1	J, U					Right Wiper, w/Dual Road Foglamp (EUROPE)
		1	J, U					Right Wiper, w/o Dual Road Foglamp (EUROPE)
		1	J, T					Right Wiper, w/o Automatic H/Lamp & w/Dual Road Foglamp (USA/CANADA)
		1	J, T					Right Wiper, w/Automatic H/Lamp & w/o Dual Road Foglamp (USA/CANADA)
		1	J, T					Right Wiper, w/Automatic H/Lamp & w/ Dual Road Foglamp (USA/CANADA)
	56042 433AE	1	J, U					Up to 4/27/99, Left H/Lamp, w/o Dual Road Foglamp (EUROPE)
	56042 434AE	1	J, U					Up to 4/27/99, Left H/Lamp, w/Dual Road Foglamp (EUROPE)
	#56042 299AF	1	J, T					4/27/99 & After, Left H/Lamp, w/o Automatic H/Lamp & w/o Dual Road Foglamp (USA/CANADA)
	#56042 300AF	1	J, T					4/27/99 & After, Left H/Lamp, w/o Automatic H/Lamp & w/Dual Road Foglamp (USA/CANADA)
	#56042 302AF	1	J, T					4/27/99 & After, Left H/Lamp, w/ Automatic H/Lamp & w/Dual Road Foglamp (USA/CANADA)

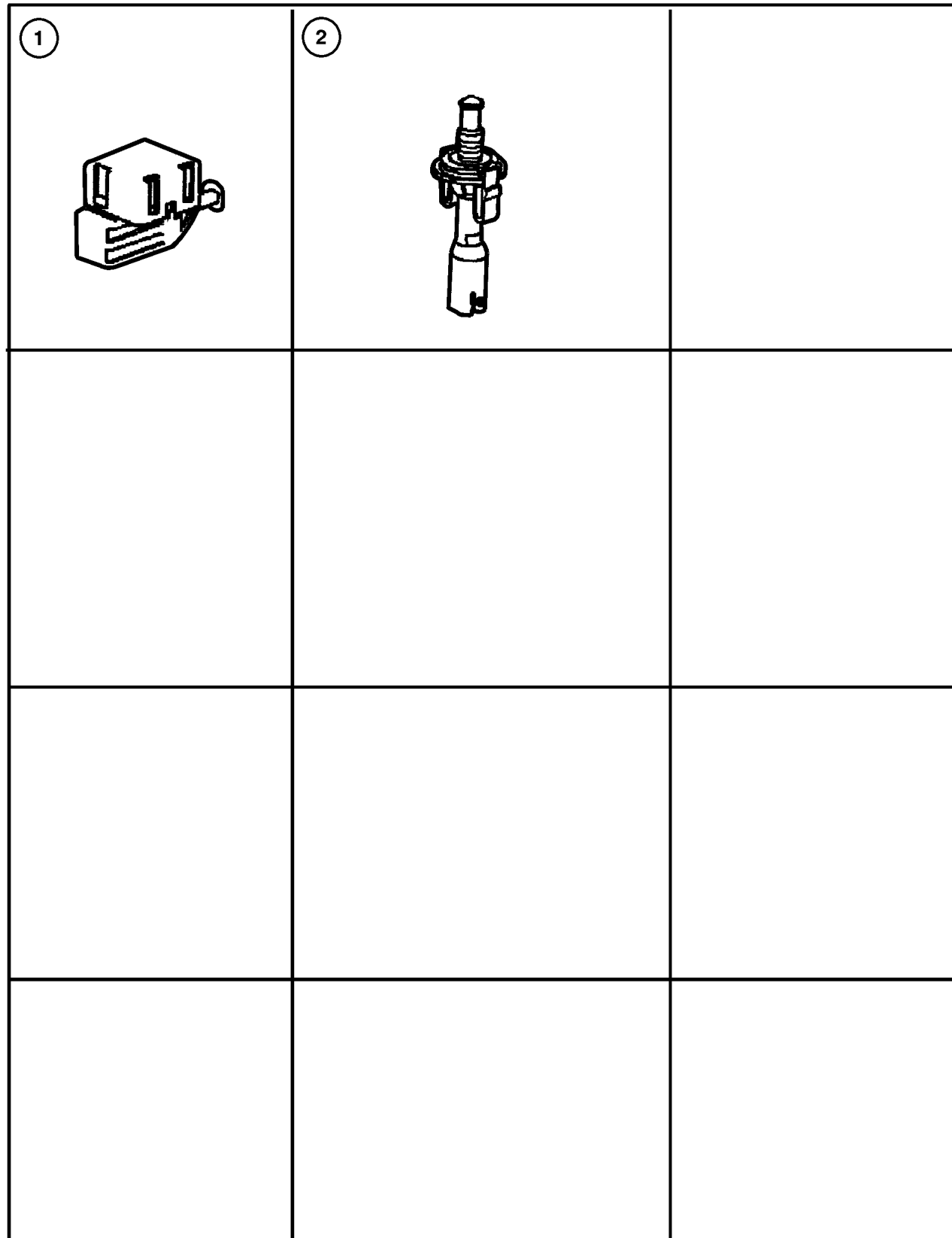
JEEP GRAND CHEROKEE (WJ)

SERIES	LINE	BODY	ENGINE	TRANSMISSION
H=Laredo P=Limited	J = 4WD T = 2WD U = 4WD (RHD)	74 = 4 Door(105.9 WB)	ER0, ERH = 4.0L, Power Tech I-6 EV0, EVA = 4.7L, Power Tech V8 EXA, EX0 = 3.1L, 5 Cyl Turbo Diesel	DGK = 4 Speed Autm, 42RE DGW = 4 Speed Automatic, -44RE DG4 = Multi Speed Automatic, -45RFE DGO = All Automatic

AR = Use as required - = Non illustrated part # = New this model year

April 3, 2002

Switches Figure 008-810



ITEM	PART NUMBER	QTY	LINE	SERIES	BODY	ENGINE	TRANS	DESCRIPTION
	#56042 433AF	1	J, U					4/27/99 & After, Left H/Lamp, w/o Dual Road Foglamp (EUROPE)
	#56042 434AF	1	J, U					4/27/99 & After, Left H/Lamp, w/Dual Road Foglamp (EUROPE)
-16								HOUSING, Switch
	56042 297AD	1	J, T					Multi-fuction Switch Housing Serviced w/Turn Signal Canceling Cam (U.S. / Canada & Mexico)
		1	J, U					Multi-fuction Switch Housing Serviced w/Turn Signal Canceling Cam (Europe)
-17								SWITCH, Heated Seat
	56033 017AB	1		P				Right
	56033 019AB	1		P				Left
	56033 017AB	1		H				Right
	56033 019AB	1		H				Left
-18	56033 015AD	1						SWITCH, Headlamp Leveling
-19	56006 315AB	1						SWITCH, Anti Lock Brake Accelarat
-20	56042 476AB	1						SWITCH, Ignition
-21	56042 634AB	1						BRACKET, Hood Ajar Disarm Switch
-22	5014 533AA	1		H				SWITCH, Horn
-23								SWITCH, Door Module, Keyless Entry Module Serviced w/Passenger Door Switch Module (Except JAPAN) [# 315 MHZ] (Passenger Door)
	55196 388AD	1	J, T	P				Driver Door
	55196 391AC	1	U	H				[# 433 MHZ] (Passenger Door)
	56042 290AC	1	J, T	P				Driver Door, Export
	56042 497AC	1	J, T	P				Driver Door (JAPAN)
	56042 602AB	1	U	H				Driver Door MUX
	55196 389AD	1	J, T	P				[# 433 MHZ] Passenger Door
	55196 398AC	1	U	H				Passenger Door (JAPAN)
-24								SWITCH, Courtesy Lamp, Serviced w/ Door Latch, (NOT SERVICED)
-25								SWITCH, 1 Gang, Power Sunroof/Lumbar Control
	5604 2064	1	J, T					(This Switch is use for Power Sunroof or Lumbar Control)
		1	U					(This Switch is use for Power Sunroof or Lumbar Control)

JEEP GRAND CHEROKEE (WJ)

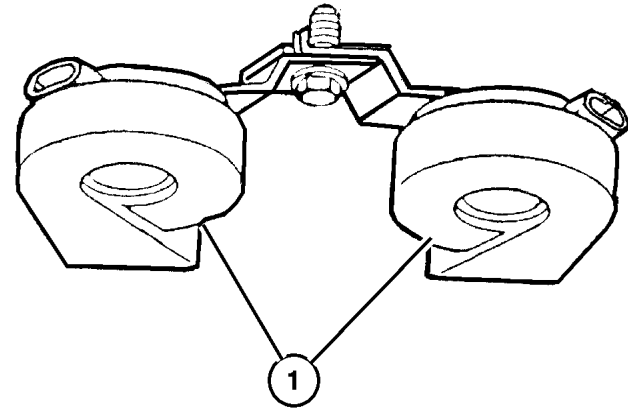
SERIES	LINE	BODY	ENGINE	TRANSMISSION
H=Laredo	J = 4WD	74 = 4 Door(105.9 WB)	ER0, ERH = 4.0L, Power Tech I-6	DGK = 4 Speed Autm, 42RE
P=Limited	T = 2WD		EVO, EVA = 4.7L, Power Tech V8	DGW = 4 Speed Automatic, -44RE
	U = 4WD (RHD)		EXA, EX0 = 3.1L, 5 Cyl Turbo Diesel	DG4 = Multi Speed Automatic, -45RFE
				DGO = All Automatic

AR = Use as required - = Non illustrated part # = New this model year

April 3, 2002

Horns
Figure 008-910

ITEM	PART NUMBER	QTY	LINE	SERIES	BODY	ENGINE	TRANS	DESCRIPTION
1								HORN, Duel
	56042 315AE	1						EUROPE
	56042 315AD	1						USA, CANADA & MEXICO



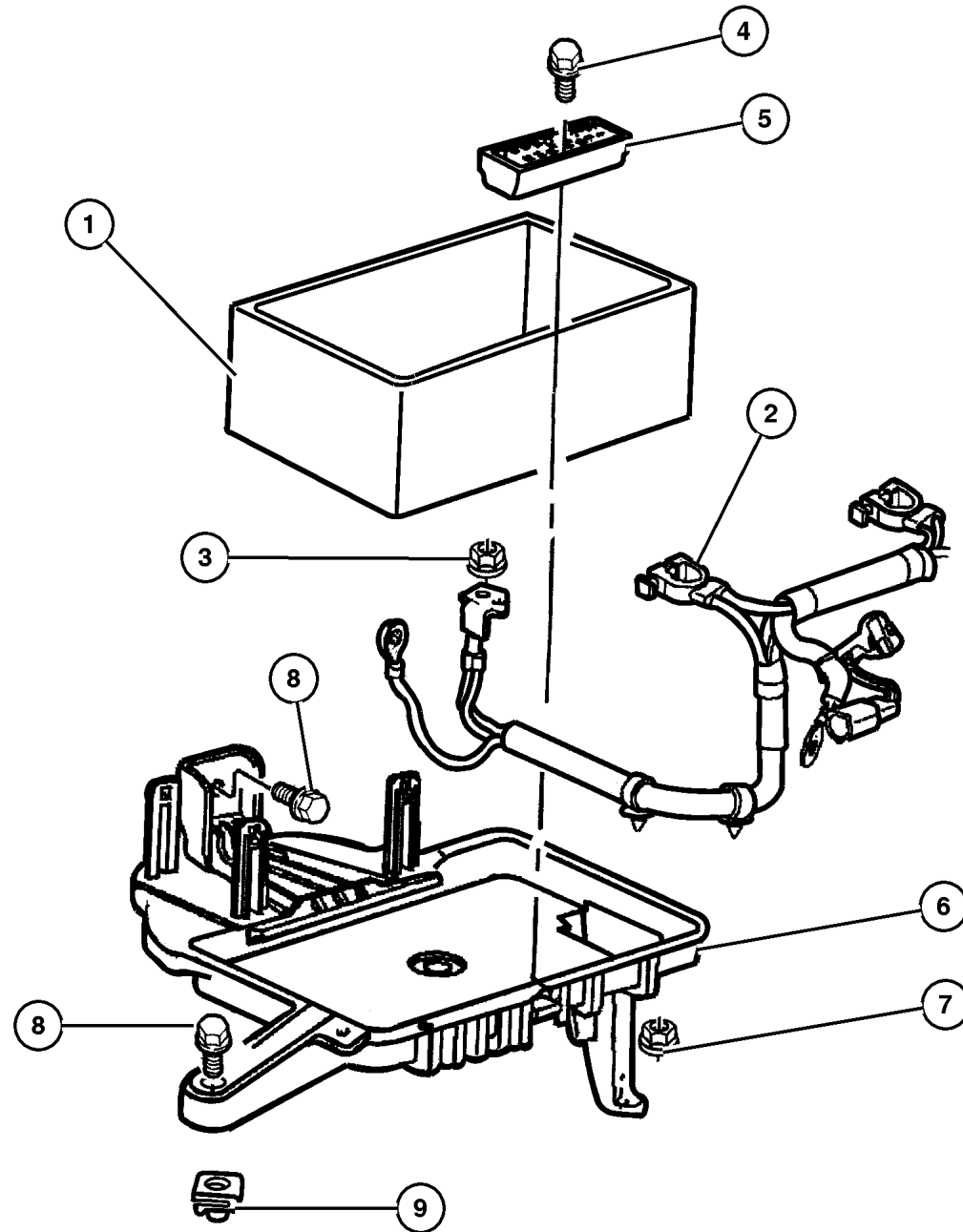
JEEP GRAND CHEROKEE (WJ)

SERIES	LINE	BODY	ENGINE	TRANSMISSION
H=Laredo	J = 4WD	74 = 4 Door(105.9 WB)	ER0, ERH = 4.0L, Power Tech I-6	DGK = 4 Speed Autm, 42RE
P=Limited	T = 2WD		EVO, EVA = 4.7L, Power Tech V8	DGW = 4 Speed Automatic, -44RE
	U = 4WD (RHD)		EXA, EX0 = 3.1L, 5 Cyl Turbo Diesel	DG4 = Multi Speed Automatic, -45RFE
				DGO = All Automatic

AR = Use as required - = Non illustrated part # = New this model year

April 3, 2002

Battery Tray & Cables Figure 008-1010



ITEM	PART NUMBER	QTY	LINE	SERIES	BODY	ENGINE	TRANS	DESCRIPTION
ER0=4.0L Engine WD-Right Hand Drive---B=2 WD-Right Hand Drive								
EVO=4.7L Engine WD-Right Hand Drive---B=2 WD-Right Hand Drive								
EX0=3.0L/3.1L Turbo Diesel Engine WD-Right Hand Drive---B=2 WD-Right Hand Drive								
1	56041 375AA	1				ER0, EVO		COVER, Battery EUROPE
	5604 1035	1						USA/CANADA
	56041 813AA	1				EX0		
2								WIRING, Alternator and Battery
	56038 421AE	1	J, T			ER0		USA/CANADA
	56038 422AD	1	J, U			EX0		EUROPE
	56038 423AE	1	J, T			EVO		USA/CANADA
	56041 524AG	1				ER0		EUROPE
	56041 525AF	1				EVO		EUROPE
3	6101 808	2				ER0, EVO,	EX0	NUT, Hex, M6x1
4								SCREW AND WASHER
	6101 766	1				ER0, EVO EX0		
5								BRACKET, Battery Hold Down
	55136 570AA	1				ER0, EVO		EUROPE
	55136 959AA	1				ER0, EVO		
		1				EX0		
6	55135 690AD	1				ER0, EVO		SUPPORT, Battery USA/CANADA
	55137 044AB	1				ER0, EVO		EUROPE
7	6100 516	2	U			EVO		NUT, Hex Flange Lock, M6 Phosphate
8	6100 568	4						BOLT AND WASHER, Implement
								Attaching
9	6101 712	1				ER0, EVO		NUT, U, M6x1
		1				EX0		

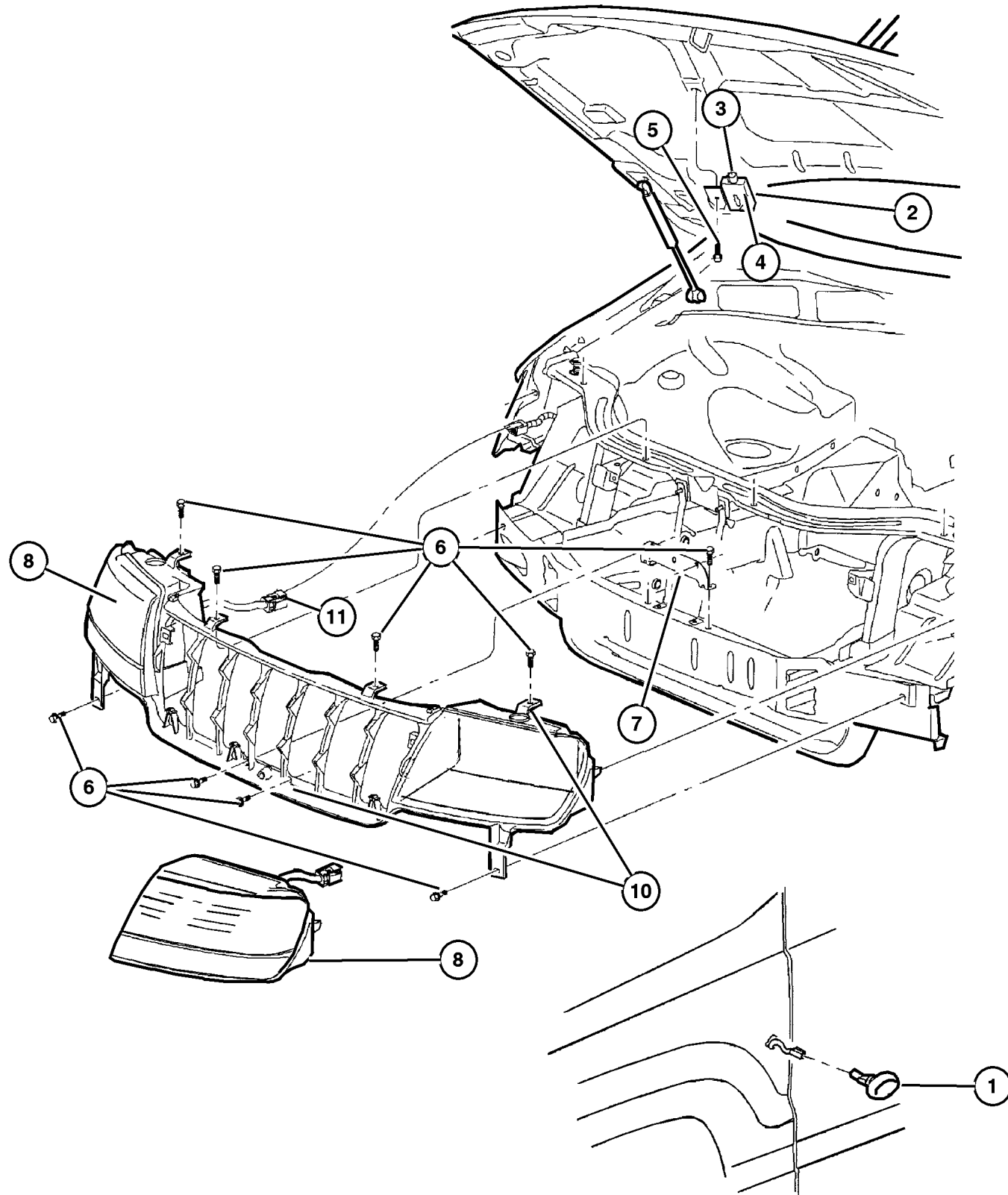
JEEP GRAND CHEROKEE (WJ)

SERIES	LINE	BODY	ENGINE	TRANSMISSION
H=Laredo	J = 4WD	74 = 4 Door(105.9 WB)	ER0, ERH = 4.0L, Power Tech I-6	DGK = 4 Speed Autm, 42RE
P=Limited	T = 2WD		EVO, EVA = 4.7L, Power Tech V8	DGW = 4 Speed Automatic, -44RE
	U = 4WD (RHD)		EXA, EX0 = 3.1L, 5 Cyl Turbo Diesel	DG4 = Multi Speed Automatic, -45RFE
				DGO = All Automatic

AR = Use as required - = Non illustrated part # = New this model year

April 3, 2002

Lamp - Front End
Figure 008-1110



ITEM	PART NUMBER	QTY	LINE	SERIES	BODY	ENGINE	TRANS	DESCRIPTION
1	4676 565	2						LAMP, Front Fender
2	5602 1441	1						LAMP, Underhood
3	L000 0561	1						BULB, 561
4	4897 446AA	1						LENS, Lamp Module
5	0154 554	1						SCREW, Self Piercing, .25-14x.625
6	6503 259	2						SCREW, Tapping, M6x1x20
7	55155 706AB	1						BRACKET, Headlamp Panel
8								LAMP, Headlamp Park And Turn
	5515 5128	1	J, T	H				Laredo w/o Headlamp Leveling (USA/ CANADA), Right
	5515 5129	1	J, T	H				Laredo w/o Headlamp Leveling (USA/ CANADA), Left
	5515 5144	1	J, T	H				Laredo w/Headlamp Leveling (EUROPE), Right
	5515 5145	1	J, T	H				Laredo w/Headlamp Leveling (EUROPE), Left
	5515 5146	1	U	H				Laredo w/Headlamp Leveling (EUROPE), Right
	5515 5147	1	U	H				Laredo w/Headlamp Leveling (EUROPE), Left
	5515 5552	1	J, T	P				Limited w/o Headlamp Leveling (USA/ CANADA), Right
	5515 5553	1	J, T	P				Limited w/o Headlamp Leveling (USA/ CANADA), Left
	5515 5556	1	U	P				Limited w/Headlamp Leveling (EUROPE), Right
	5515 5557	1	U	P				Limited w/Headlamp Leveling (EUROPE), Left
	5515 5574	1	J, T	H				Laredo w/o Headlamp Leveling (EUROPE), Right
	5515 5575	1	J, T	H				Laredo w/o Headlamp Leveling (EUROPE), Left
	5515 5576	1	J, T	P				Limited w/o Headlamp Leveling (EUROPE), Right
	5515 5577	1	J, T	P				Limited w/o Headlamp Leveling (EUROPE), Left
	5515 5578	1	U	H				Laredo w/o Headlamp Leveling (EUROPE), Right
	5515 5579	1	U	H				Laredo w/o Headlamp Leveling (EUROPE), Left
	5515 5582	1	U	P				Limited w/o Headlamp Leveling (EUROPE), Right

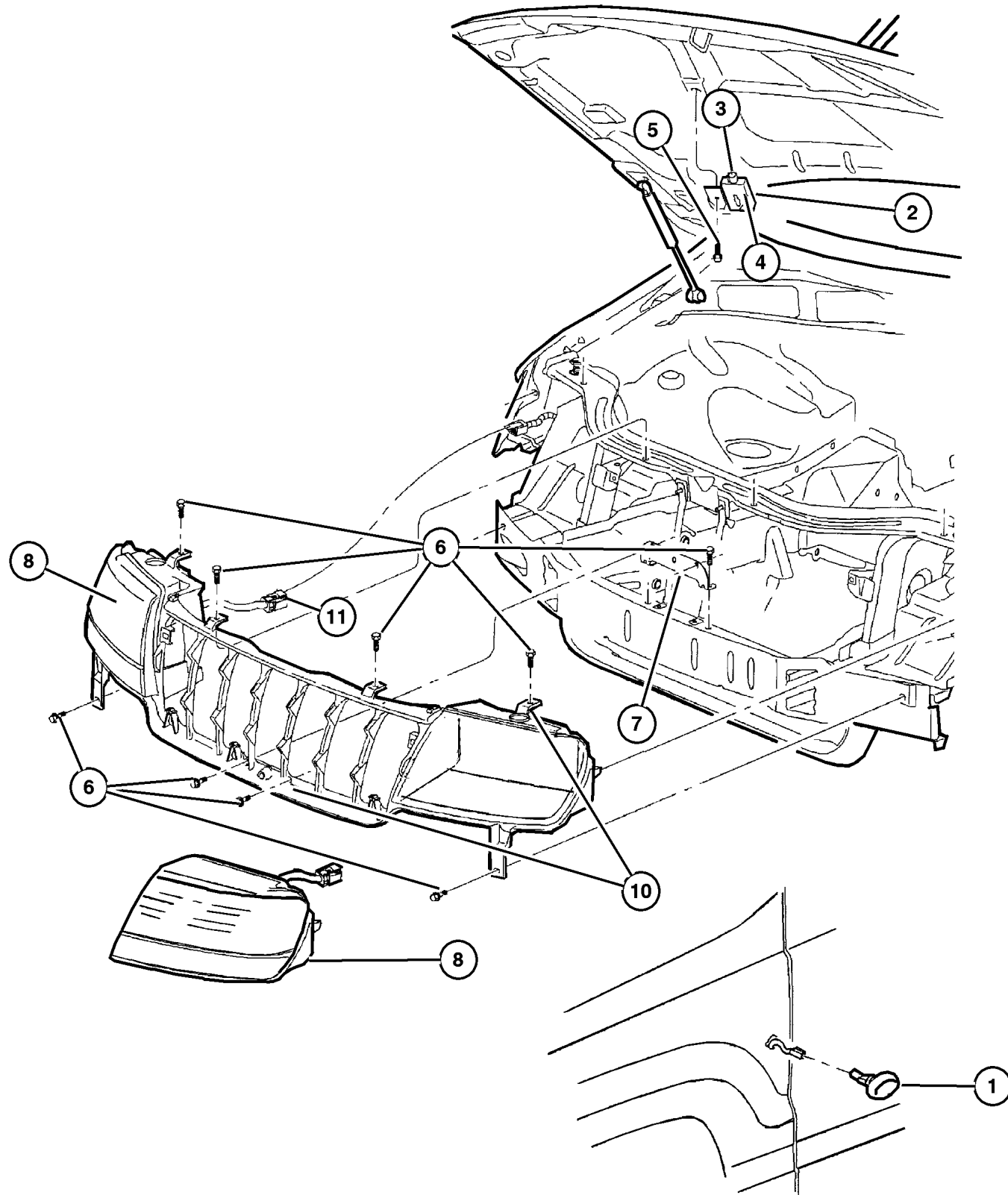
JEEP GRAND CHEROKEE (WJ)

SERIES	LINE	BODY	ENGINE	TRANSMISSION
H=Laredo	J = 4WD	74 = 4 Door(105.9 WB)	ER0, ERH = 4.0L, Power Tech I-6	DGK = 4 Speed Autm, 42RE
P=Limited	T = 2WD		EVO, EVA = 4.7L, Power Tech V8	DGW = 4 Speed Automatic, -44RE
	U = 4WD (RHD)		EXA, EX0 = 3.1L, 5 Cyl Turbo Diesel	DG4 = Multi Speed Automatic, -45RFE
				DGO = All Automatic

AR = Use as required - = Non illustrated part # = New this model year

April 3, 2002

Lamp - Front End
Figure 008-1110



ITEM	PART NUMBER	QTY	LINE	SERIES	BODY	ENGINE	TRANS	DESCRIPTION
	5515 5583	1	U	P				Limited w/o Headlamp Leveling (EUROPE), Left
	55155 942AA	1	J, T	P				Limited w/Headlamp Leveling (EUROPE), Right
	55155 943AA	1	J, T	P				Limited w/Headlamp Leveling (EUROPE), Left
-9	55136 788AA	1						PLATE, Headlamp Mounting SUPPORT, Headlamp Panel
10	5515 5498	1	J, T	H				
		1	U	H				
		1	J, T	P				
		1	U	P				
11								WIRING, Headlamp
	5012 604AA	1	J, T	H				USA/CANADA
	5013 841AA	2	J, T	P				w/Leveling (EUROPE)
		2	U	H				w/Leveling (EUROPE)
	5013 842AA	2	U	P				w/o Leveling (EUROPE)
		2	J, T	H				w/o Leveling (EUROPE)
-12								SENSOR, Ambient Temperature
	5604 2395	1	J, T	H				
		1	U	H				
-13								RETAINER, Headlamp Receptical
	5012 684AA	2	J, T	H				USA/CANADA, Right
		2	U	H				EUROPE, Right
	5012 685AA	4	J, T	P				USA/CANADA, Left
		4	U	H				EUROPE, Left
		4	J, T	H				EUROPE, Left
		4	J, T	H				EUROPE, Right
-14								SCREW, Large Round Washer Head
	6504 483	1	J, T	P				Headlamp Mounting Module (Jack Screw)
		1	U	H				Headlamp Mounting Module (Jack Screw)
-15								NUT
	6033 014	1	J, T	H				
		1	U	H				
-16								BULB, Headlamp, 9006XS
	0154 870AA	1	J, T	H				
		1	U	H				
-17								BULB, Headlamp
	0154 846AA	1	J, T	H				
		1	U	H				
-18	L000 3157	3						BULB, 3157

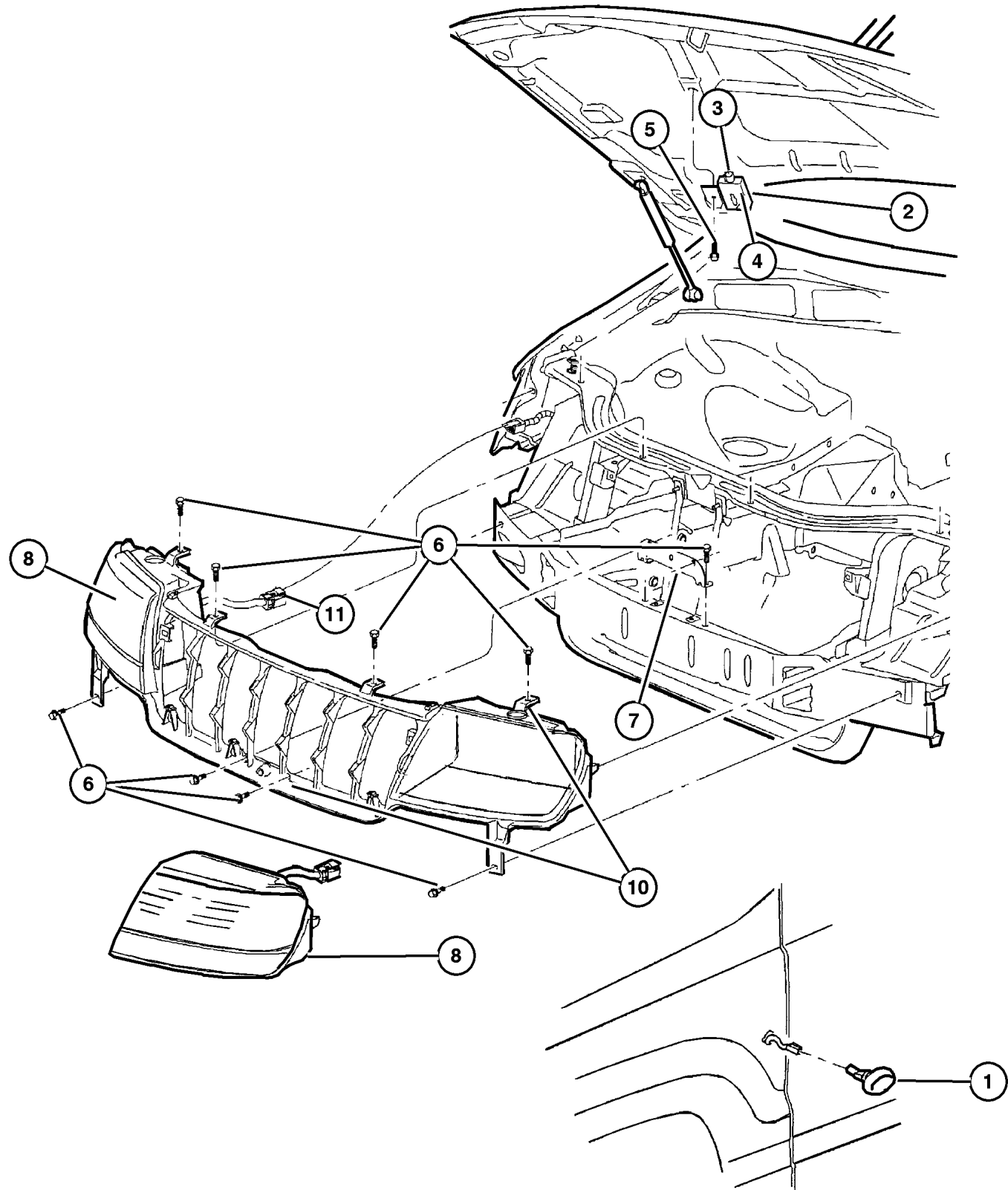
JEEP GRAND CHEROKEE (WJ)

SERIES	LINE	BODY	ENGINE	TRANSMISSION
H=Laredo	J = 4WD	74 = 4 Door(105.9 WB)	ER0, ERH = 4.0L, Power Tech I-6	DGK = 4 Speed Autm, 42RE
P=Limited	T = 2WD		EV0, EVA = 4.7L, Power Tech V8	DGW = 4 Speed Automatic, -44RE
	U = 4WD (RHD)		EXA, EX0 = 3.1L, 5 Cyl Turbo Diesel	DG4 = Multi Speed Automatic, -45RFE
				DGO = All Automatic

AR = Use as required - = Non illustrated part # = New this model year

April 3, 2002

Lamp - Front End
Figure 008-1110



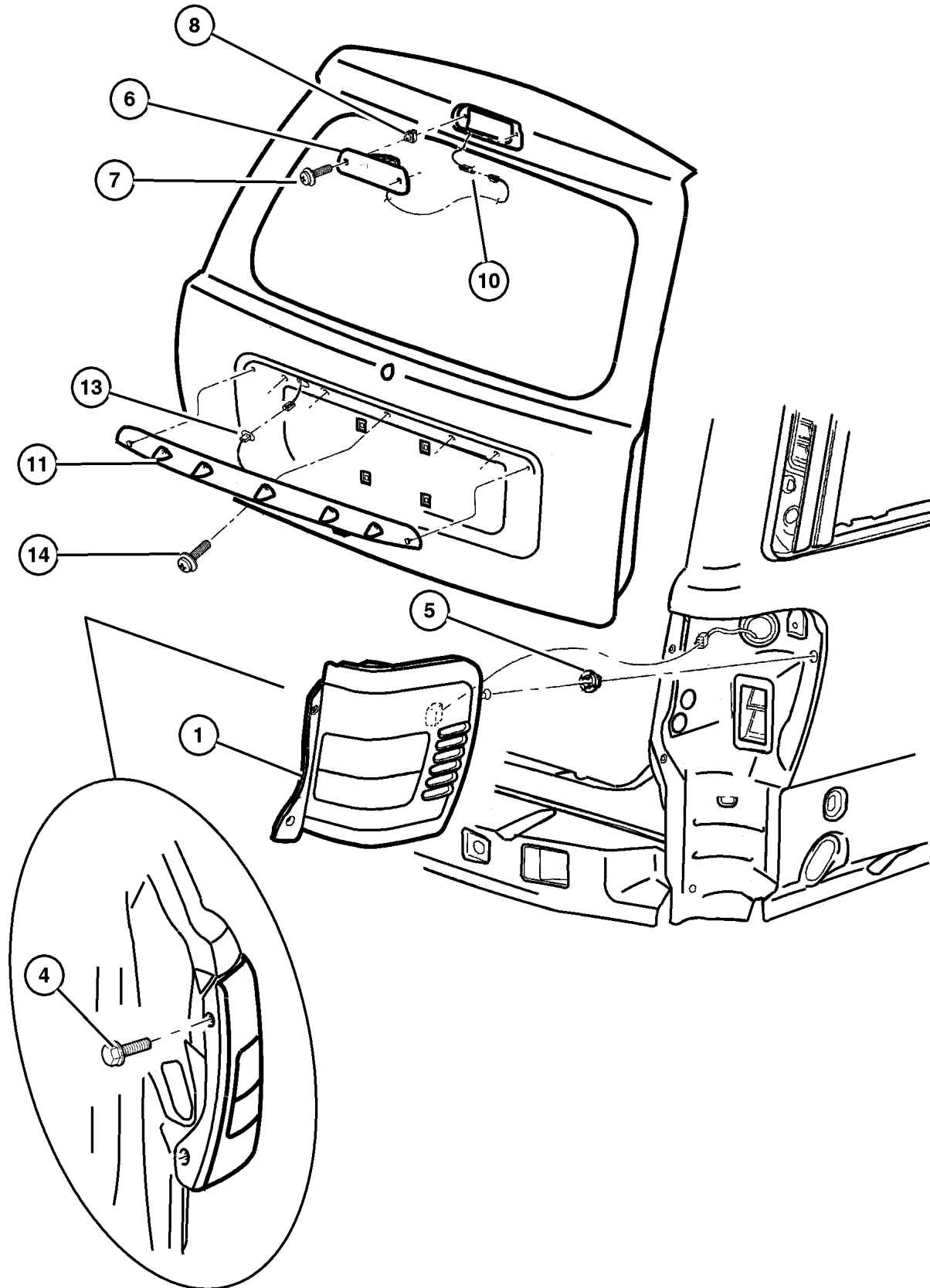
ITEM	PART NUMBER	QTY	LINE	SERIES	BODY	ENGINE	TRANS	DESCRIPTION
-19	9421 330	1	J, T	H				BULB, PC194
-20	0L00 194NA	1	J, T	P				BULB, 194NA
-21	L0003 157NA	4	J, T	P				BULB, 3157 NAK
-22								LAMP, Fog
	55155 136AB	1		H				EUROPE, Right
	55155 137AB	1		H				EUROPE, Left
	5515 5136	1		H				USA/CANADA, Right
	5515 5137	1		H				USA/CANADA, Left
	5515 5136	1		P				USA/CANADA, Right
	5515 5137	1		P				USA/CANADA, Left
-23	L000 9055	AR						BULB, 9055
-24	4676 801	2						GASKET, Side Marker Lamp, EUROPE

JEEP GRAND CHEROKEE (WJ)				
SERIES	LINE	BODY	ENGINE	TRANSMISSION
H=Laredo	J = 4WD	74 = 4 Door(105.9 WB)	ER0, ERH = 4.0L, Power Tech I-6	DGK = 4 Speed Autm, 42RE
P=Limited	T = 2WD		EV0, EVA = 4.7L, Power Tech V8	DGW = 4 Speed Automatic, -44RE
	U = 4WD (RHD)		EXA, EX0 = 3.1L, 5 Cyl Turbo Diesel	DG4 = Multi Speed Automatic, -45RFE
				DGO = All Automatic

AR = Use as required - = Non illustrated part # = New this model year

April 3, 2002

Lamp - Rear End
Figure 008-1120



ITEM	PART NUMBER	QTY	LINE	SERIES	BODY	ENGINE	TRANS	DESCRIPTION
1								LAMP, Tail Stop Turn
	55155 138AC	1						USA/CANADA, Right
	55155 139AC	1						USA/CANADA, Left
	55155 142AC	1						EUROPE, Right
	55155 143AC	1						EUROPE, Left
-2	L000 3157	3						BULB, 3157
-3	4676 589	3						SOCKET, Board
4								SCREW, .190-16 X .750, (NOT SERVICED)
5	6505 386AA	2						NUT, Plastic
6	5515 5140	1						LAMP, High Mounted Stop
7	6036 163AA	2						SCREW, .19-16x1.00
8	6505 703AA	2						NUT, Plastic Snap-in
-9	0154 883AA	1						BULB, 921
10	5604 2544	1						WIRING, High Mounted Stop Lamp
11								HOUSING, Lamp
	5012 553AB	1		H				Laredo
	5012 554AA	1		P				Limited
-12	5012 548AA	1		H				LAMP, License
13	56042 545AD	1		H				WIRING, License Lamp
14	0154 228	5						SCREW, Tapping, .19-16x.625
-15	56042 450AB	1		H				SWITCH, Flipper Window
-16	L000 0168	2						BULB, 168
-17	0153 625	2		P				BULB, W10/5

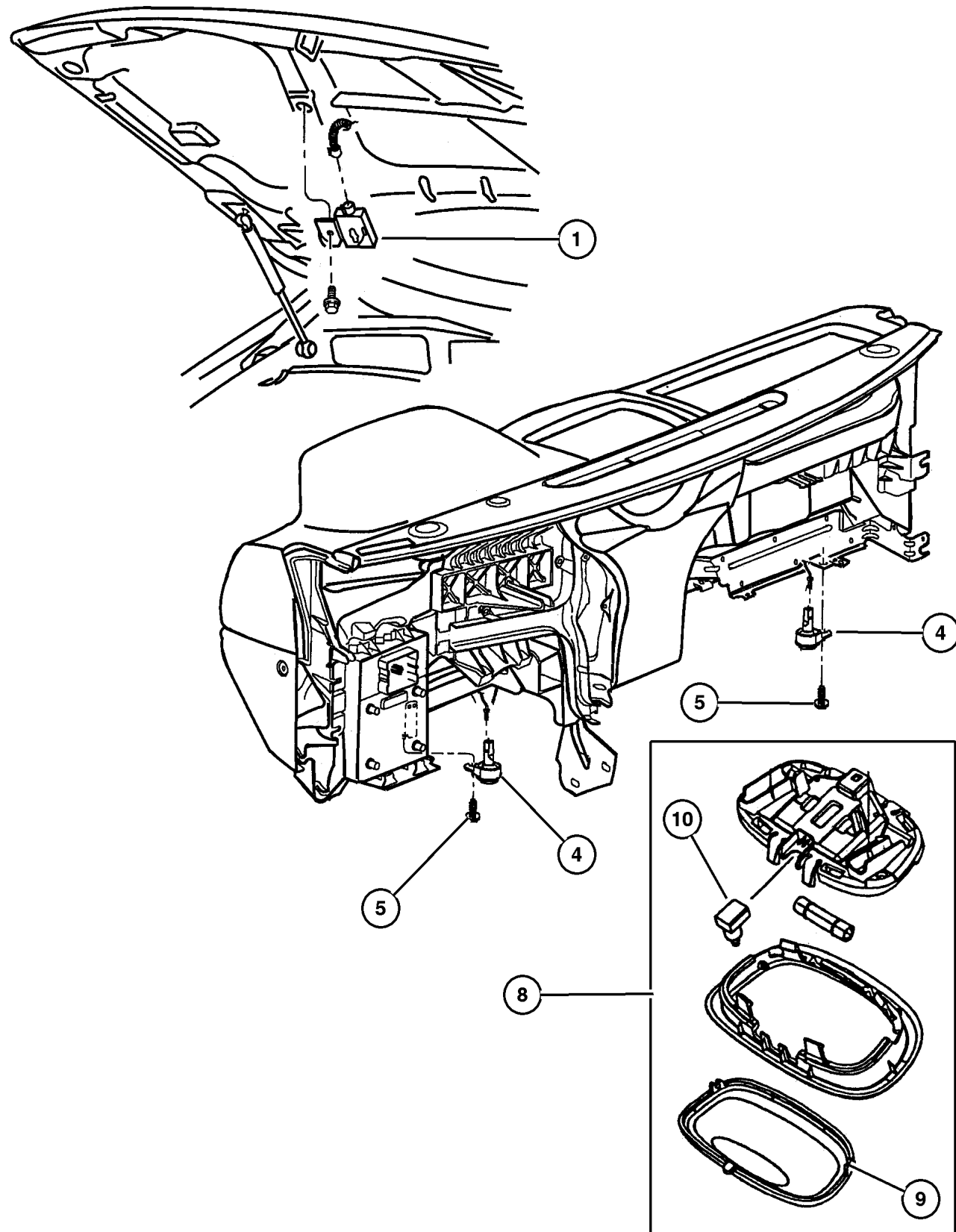
JEEP GRAND CHEROKEE (WJ)

SERIES	LINE	BODY	ENGINE	TRANSMISSION
H=Laredo	J = 4WD	74 = 4 Door(105.9 WB)	ER0, ERH = 4.0L, Power Tech I-6	DGK = 4 Speed Autm, 42RE
P=Limited	T = 2WD		EV0, EVA = 4.7L, Power Tech V8	DGW = 4 Speed Automatic, -44RE
	U = 4WD (RHD)		EXA, EX0 = 3.1L, 5 Cyl Turbo Diesel	DG4 = Multi Speed Automatic, -45RFE
				DGO = All Automatic

AR = Use as required - = Non illustrated part # = New this model year

April 3, 2002

Lamp - Courtesy - Dome - Reading
Figure 008-1130



ITEM	PART NUMBER	QTY	LINE	SERIES	BODY	ENGINE	TRANS	DESCRIPTION
1	5602 1441	1						LAMP, Underhood, w/Switch
-2	4897 446AA	1						LENS, Lamp Module, Underhood
-3	L000 0561	1						BULB, 561
4	56042 559AA	2						LAMP, Courtesy, I/panel Lower
5	6101 946	3						SCREW, Tapping
-6	L000 0161	1						BULB, 161, Ash Receiver
-7	4778 794	1	J, T					LENS, Illuminated Visor Right And Left
		1	U					Right And Left
8	5FT1 0RK5	1	J, T					LAMP, Cargo Tan/Agate
		1	U					Tan/Agate
	5FT1 0TL2	1	J, T					Beige
		1	U					Beige
9	55196 755AA	1	J, T					LENS, Cargo Lamp
		1	U					
10	55196 759AA	1	J, T					LENS, Lamp Module, Grab Handle Left Rear
		1	U					Left Rear
	55196 760AA	1	J, T					Right Rear
		1	U					Right Rear
-11	4685 445	1	J, T					SWITCH, Reading Lamp Rear Cargo
		1	U					Rear Cargo
-12	5600 5076	1	J, T	P				LAMP, Door U.S., Mexico & Canada, Right
		1	J, T	P				Europe, Right
	5600 5077	1	J, T	P				U.S., Mexico & Canada, Left
		1	J, T	P				Europe, Left
	5600 5076	1	U	P				Europe, Right
	5600 5077	1	U	P				Europe, Left

JEEP GRAND CHEROKEE (WJ)

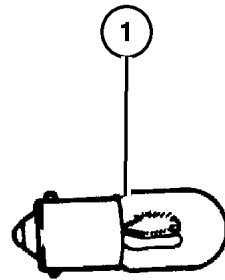
SERIES	LINE	BODY	ENGINE	TRANSMISSION
H=Laredo	J = 4WD	74 = 4 Door(105.9 WB)	ER0, ERH = 4.0L, Power Tech I-6	DGK = 4 Speed Autm, 42RE
P=Limited	T = 2WD		EV0, EVA = 4.7L, Power Tech V8	DGW = 4 Speed Automatic, -44RE
	U = 4WD (RHD)		EXA, EX0 = 3.1L, 5 Cyl Turbo Diesel	DG4 = Multi Speed Automatic, -45RFE
				DGO = All Automatic

AR = Use as required - = Non illustrated part # = New this model year

April 3, 2002

Bulbs & Sockets
Figure 008-1140

ITEM	PART NUMBER	QTY	LINE	SERIES	BODY	ENGINE	TRANS	DESCRIPTION
ER0=4.0L Engine WD-Right Hand Drive---B=2 WD-Right Hand Drive								
EVO=4.7L Engine WD-Right Hand Drive---B=2 WD-Right Hand Drive								
EX0=3.0L/3.1L Turbo Diesel Engine WD-Right Hand Drive---B=2 WD-Right Hand Drive								
1	0153 620	2						BULB, 8/4, Side Repeater
-2	L000 3157	3						BULB, 3157
-3	0154 883AA	1						BULB, 921
-4								BULB, 561
	L000 0561	1						Underhood
	9433 040	1						
-5	9421 330	1	J, T	H				BULB, PC194
-6	0154 870AA	1	J, T	H				BULB, Headlamp, 9006XS
-7	0154 846AA	1	J, T	H				BULB, Headlamp
-8	L000 0161	1						BULB, 161, Ash Receiver
-9	L000 0906	2						BULB, 906
-10								BULB, 74
	6501 966	1	J, T					
		1	U					
-11								BULB, 192
	L000 0192	2	J, T					
		1	U					
-12	5012 591AA	1		H				BULB AND SOCKET
-13								BULB, PY21W Amber
	0154 742	1	J, T	P				
		1	U	H				
-14	L000 PC74	16				ER0, EVO		BULB, PC74



JEEP GRAND CHEROKEE (WJ)

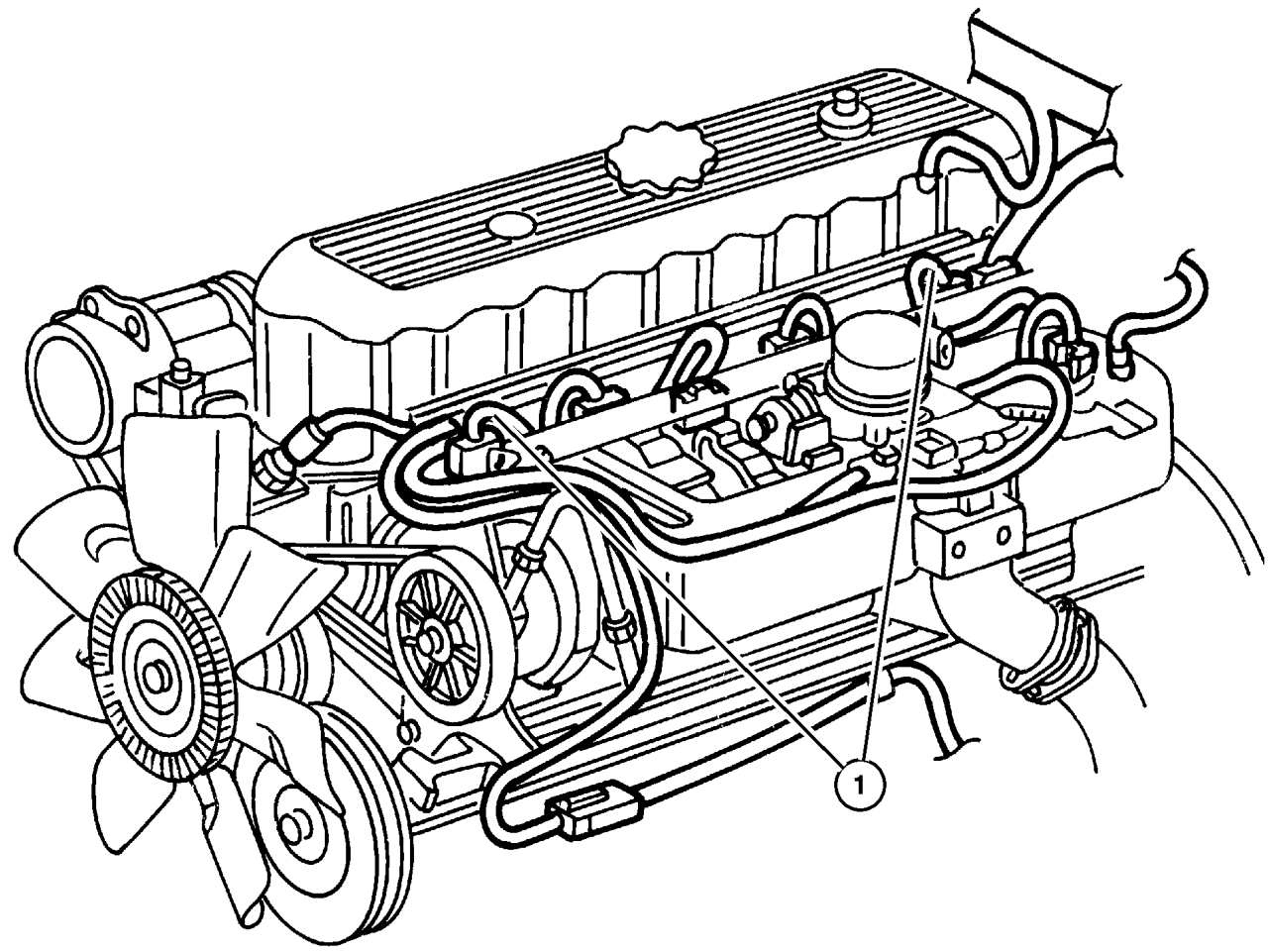
SERIES	LINE	BODY	ENGINE	TRANSMISSION
H=Laredo	J = 4WD	74 = 4 Door(105.9 WB)	ER0, ERH = 4.0L, Power Tech I-6	DGK = 4 Speed Autm, 42RE
P=Limited	T = 2WD		EVO, EVA = 4.7L, Power Tech V8	DGW = 4 Speed Automatic, -44RE
	U = 4WD (RHD)		EXA, EX0 = 3.1L, 5 Cyl Turbo Diesel	DG4 = Multi Speed Automatic, -45RFE
				DGO = All Automatic

AR = Use as required - = Non illustrated part # = New this model year

April 3, 2002

**Wiring - Engine & Related Parts
Figure 008-1210**

ITEM	PART NUMBER	QTY	LINE	SERIES	BODY	ENGINE	TRANS	DESCRIPTION
ER0=4.0L Engine WD-Right Hand Drive---B=2 WD-Right Hand Drive								
EV0=4.7L Engine WD-Right Hand Drive---B=2 WD-Right Hand Drive								
EX0=3.0L/3.1L Turbo Diesel Engine WD-Right Hand Drive---B=2 WD-Right Hand Drive								
DG0=Automatic Transmission WD-Right Hand Drive---B=2 WD-Right Hand Drive								
DGW= Automatic Transmission 4 Speed Automatic 44RE WD-Right Hand Drive---B=2 WD-Right Hand Drive								
DGK=Automatic Transmission 4 Speed WD-Right Hand Drive---B=2 WD-Right Hand Drive								
DG4=Automatic Transmission Multi-Speed WD-Right Hand Drive---B=2 WD-Right Hand Drive								
1								WIRING, Injector
	56042 202AC	1	J, U			EX0	DG0	Diesel Emission (EUROPE)
	#56042 406AH	1	J, T			EV0	DG0	w/Federal/Leaded Fuel or Export Emission
	#56042 407AH	1	J, T			EV0	DG0	w/California or European III Emission
	#56044 400AB	1	J, T			ER0	DG0	w/Federal/Leaded Fuel or Export Emission
	#56044 402AB	1	J, T			ER0	DG0	W/California or European III Emission
	#56044 410AB	1	U			ER0	DG0	
	#56044 411AB	1	U			EV0	DG0	
-2								BRACKET, Wiring
	56041 381AB	1				EX0		
	56041 631AA	1				EX0		w/Diesel Emission (EUROPE)
-3	56041 438AA	1	J			ER0, EV0	DG0	WIRING, Transfer Case Jumper

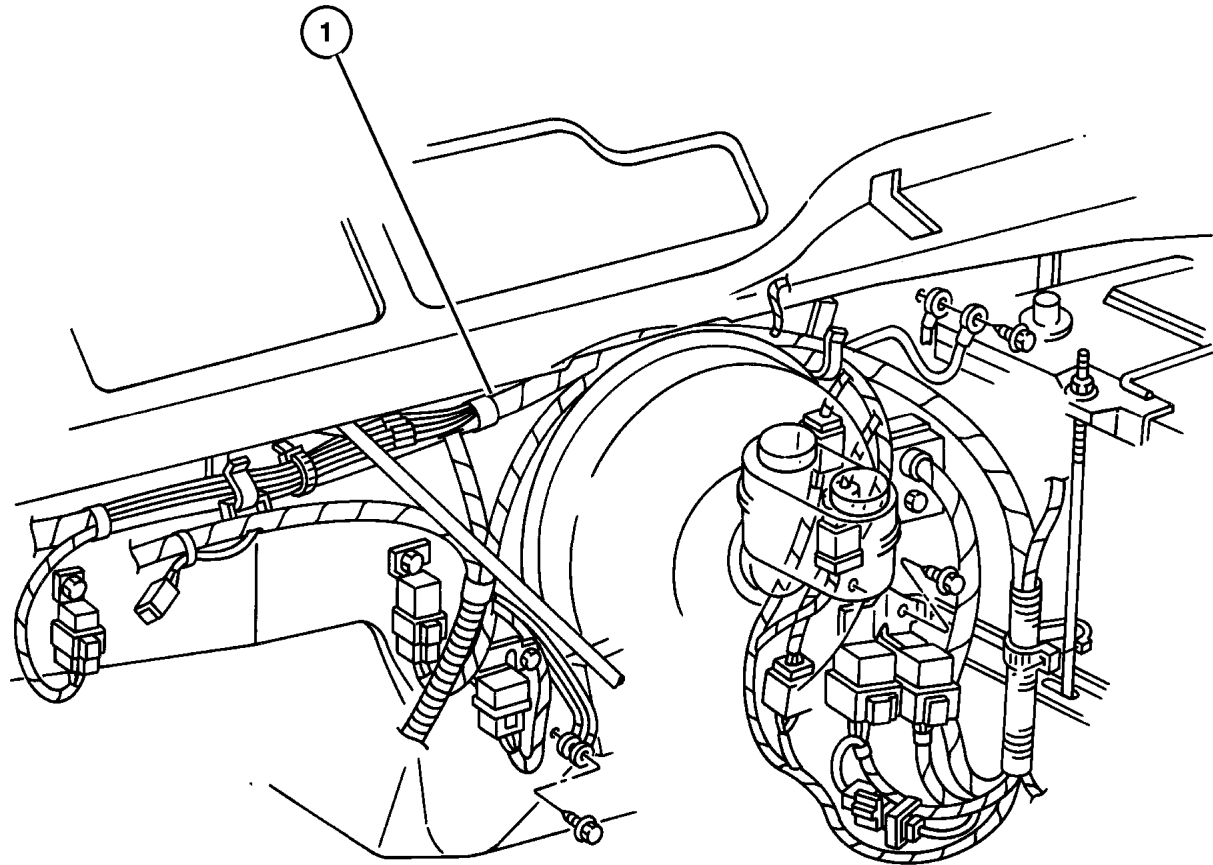


JEEP GRAND CHEROKEE (WJ)				
SERIES	LINE	BODY	ENGINE	TRANSMISSION
H=Laredo	J = 4WD	74 = 4 Door(105.9 WB)	ER0, ERH = 4.0L, Power Tech I-6	DGK = 4 Speed Autm, 42RE
P=Limited	T = 2WD		EV0, EVA = 4.7L, Power Tech V8	DGW = 4 Speed Automatic, -44RE
	U = 4WD (RHD)		EXA, EX0 = 3.1L, 5 Cyl Turbo Diesel	DG4 = Multi Speed Automatic, -45RFE
				DGO = All Automatic

AR = Use as required - = Non illustrated part # = New this model year

April 3, 2002

Wiring - Headlamp / Dash
Figure 008-1310



ITEM	PART NUMBER	QTY	LINE	SERIES	BODY	ENGINE	TRANS	DESCRIPTION
ER0=4.0L Engine WD-Right Hand Drive---B=2 WD-Right Hand Drive								
EVO=4.7L Engine WD-Right Hand Drive---B=2 WD-Right Hand Drive								
EX0=3.0L/3.1L Turbo Diesel Engine WD-Right Hand Drive---B=2 WD-Right Hand Drive								
1								WIRING, Headlamp to Dash
	56042 207AG	1	J, T			ER0,		Left
	56042 208AG	1	J, T			EVO		
	#56042 209AI	1	J, T			EX0		Right
	#56042 210AG	1	U			EX0		Left
	#56042 211AJ	1	U			ER0,		Export or Leaded Fuel Emission, Right
	#56042 212AH	1	U			EVO		
	#56042 213AI	1	U			ER0,		Export or Leaded Fuel Emission, Left
	#56042 500AH	1	J, T			EVO		
	56042 501AG	1	J, T			ER0,		Export or Leaded Fuel Emission, Right
	#56042 709AC	1	J, T			EVO		
	#56042 710AC	1	J, T			ER0,		California Emission, Right
	#56042 820AC	1	U			EVO		Federal Emission, Right
	#56042 828AC	1	J, T			ER0,		European III Mission, Right
	#56042 839AB	1	J, T			EVO		
	#56042 840AC	1	U			ER0,		European III Mission, Right
						EVO		
-2	4604 235	2						BREAKER, Circuit
-3	#5016 946AA	1	U			ER0,		COVER, Power Distribution Center
						EVO		Export or Leaded Fuel Emission
	#5016 947AA	1	J, T			ER0,		Export or Leaded Fuel Emission
						EVO		
						EX0		
-4	4671 168	2						RELAY, Mini
-5	4707 286AD	1						RELAY, Electrical
-6	00AT M10	2	J, T					FUSE, Mini, 10 AMP, Red
-7	00AT M15	1	J, T					FUSE, Mini, 15 AMP, Light Blue

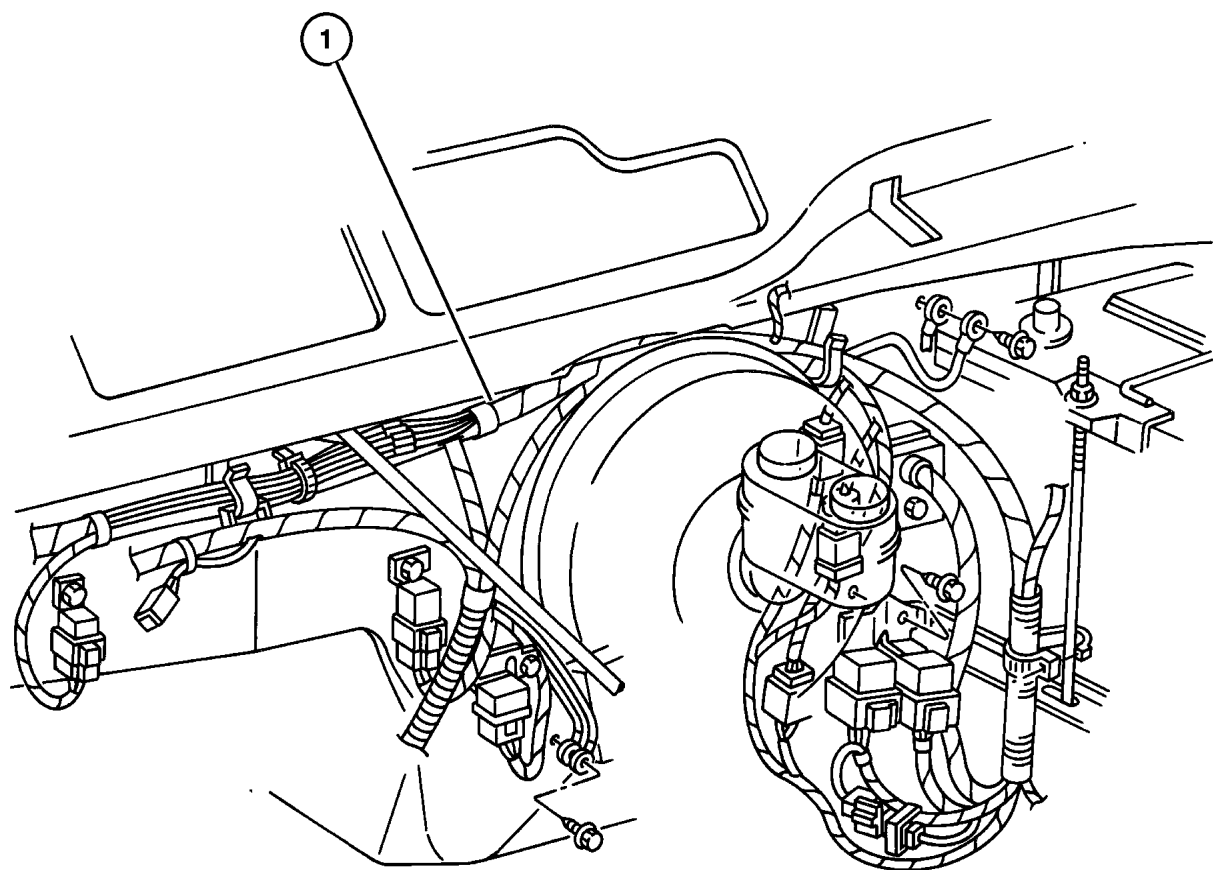
JEEP GRAND CHEROKEE (WJ)

SERIES	LINE	BODY	ENGINE	TRANSMISSION
H=Laredo	J = 4WD	74 = 4 Door(105.9 WB)	ER0, ERH = 4.0L, Power Tech I-6	DGK = 4 Speed Autm, 42RE
P=Limited	T = 2WD		EVO, EVA = 4.7L, Power Tech V8	DGW = 4 Speed Automatic, -44RE
	U = 4WD (RHD)		EXA, EX0 = 3.1L, 5 Cyl Turbo Diesel	DG4 = Multi Speed Automatic, -45RFE
				DGO = All Automatic

AR = Use as required - = Non illustrated part # = New this model year

April 3, 2002

**Wiring - Headlamp / Dash
Figure 008-1310**



ITEM	PART NUMBER	QTY	LINE	SERIES	BODY	ENGINE	TRANS	DESCRIPTION
-8	00AT M20	1	J, T					FUSE, Mini, 20 AMP, Yellow
-9	6102 076AA	2	J, T			ER0, EVO		FUSE CARTRIDGE, 30 Amp
		2	U			ER0, EVO		
		2	U			EX0		
-10	6102 077AA	6	J, T			ER0, EVO		FUSE CARTRIDGE, 40 Amp
		6	U			ER0, EVO		
		6	U			EX0		
-11	6102 078AA	3	J, T			ER0, EVO		FUSE CARTRIDGE, 50 Amp
		3	U			ER0, EVO		
		3	U			EX0		
-12	55196 762AA	1	J, T					PULLER, Fuse
		1	U					

JEEP GRAND CHEROKEE (WJ)

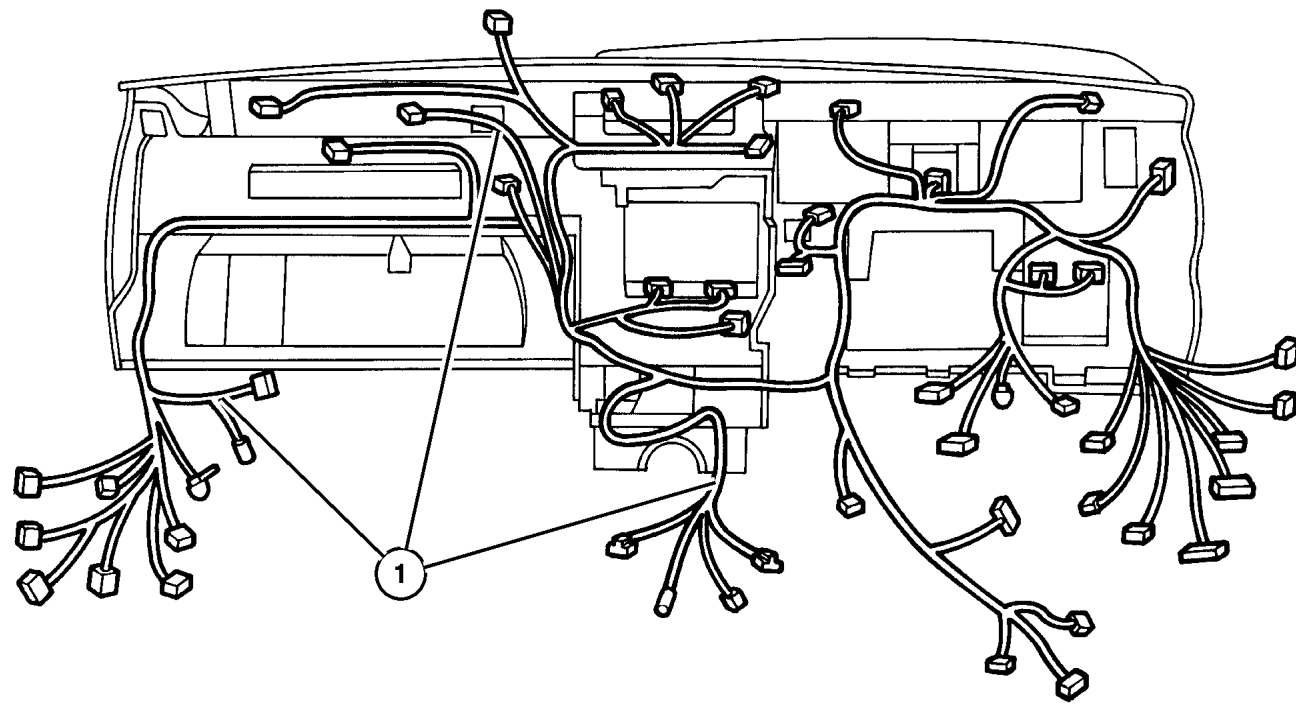
SERIES	LINE	BODY	ENGINE	TRANSMISSION
H=Laredo	J = 4WD	74 = 4 Door(105.9 WB)	ER0, ERH = 4.0L, Power Tech I-6	DGK = 4 Speed Autm, 42RE
P=Limited	T = 2WD		EVO, EVA = 4.7L, Power Tech V8	DGW = 4 Speed Automatic, -44RE
	U = 4WD (RHD)		EXA, EX0 = 3.1L, 5 Cyl Turbo Diesel	DG4 = Multi Speed Automatic, -45RFE
				DGO = All Automatic

AR = Use as required - = Non illustrated part # = New this model year

April 3, 2002

Wiring - Instrument Panel
Figure 008-1410

ITEM	PART NUMBER	QTY	LINE	SERIES	BODY	ENGINE	TRANS	DESCRIPTION
Note: WD-Right Hand Drive---B=2 WD-Right Hand Drive								
EVO = All 4.7L Gas Engines WD-Right Hand Drive---B=2 WD-Right Hand Drive								
1								WIRING, Instrument Panel
	#56042 920AD	1	J, T					A/C w/Leather Wrap Steering Wheel & w/o 10 Disc CD Remote Changer
	#56042 922AD	1	J, T					A/C w/ATC Dual Zone, Automatic H/Lamp & Leather Wrap Steering Wheel
	#56042 925AD	1	J, T					A/C w/10 Disc CD Remote Changer, Automatic H/Lamp & Leather Wrap Steering Wheel
	#56042 940AD	1	J, T					A/C w/ATC Dual Zone, 10 Disc CD Remote Changer, Automatic H/Lamp & Leather Wrap Steering Wheel
	#56042 945AB	1	J, T					A/C w/Leather Wrap Steering Wheel
	#56042 947AB	1	J, T					A/C w/ATC Dual Zone, & Leather Wrap Steering Wheel
	#56042 949AB	1	U					A/C w/Leather Wrap Steering Wheel (EUROPE)
	#56042 950AB	1	U					A/C w/ATC Dual Zone, & Leather Wrap Steering Wheel (EUROPE)
-2	6101 802	1				EVO		NUT AND WASHER, M6x1.00
-3	4274 258	2						TAPE, Radio Connector, Foam
-4	#56042 148AG	1						JUNCTION BLOCK, Relay
-5	00AT M10	2	J, T					FUSE, Mini, 10 AMP, Red
-6	00AT M15	1	J, T					FUSE, Mini, 15 AMP, Light Blue
-7	00AT M20	1	J, T					FUSE, Mini, 20 AMP, Yellow
-8	4687 835	1	J, T					FUSE, Mini, 25 Amp, Natural
-9	55196 762AA	1	J, T					PULLER, Fuse
		1	U					
-10								COVER, Fuse Access
	55116 219AB	1	J, T					
	55116 293AB	1	U					
-11	4604 235	2						BREAKER, Circuit, 20 AMP
-12	5072 991AA	1						PLUG, Wiring, 10 Way (Plug/Cap/Shorting Bar)



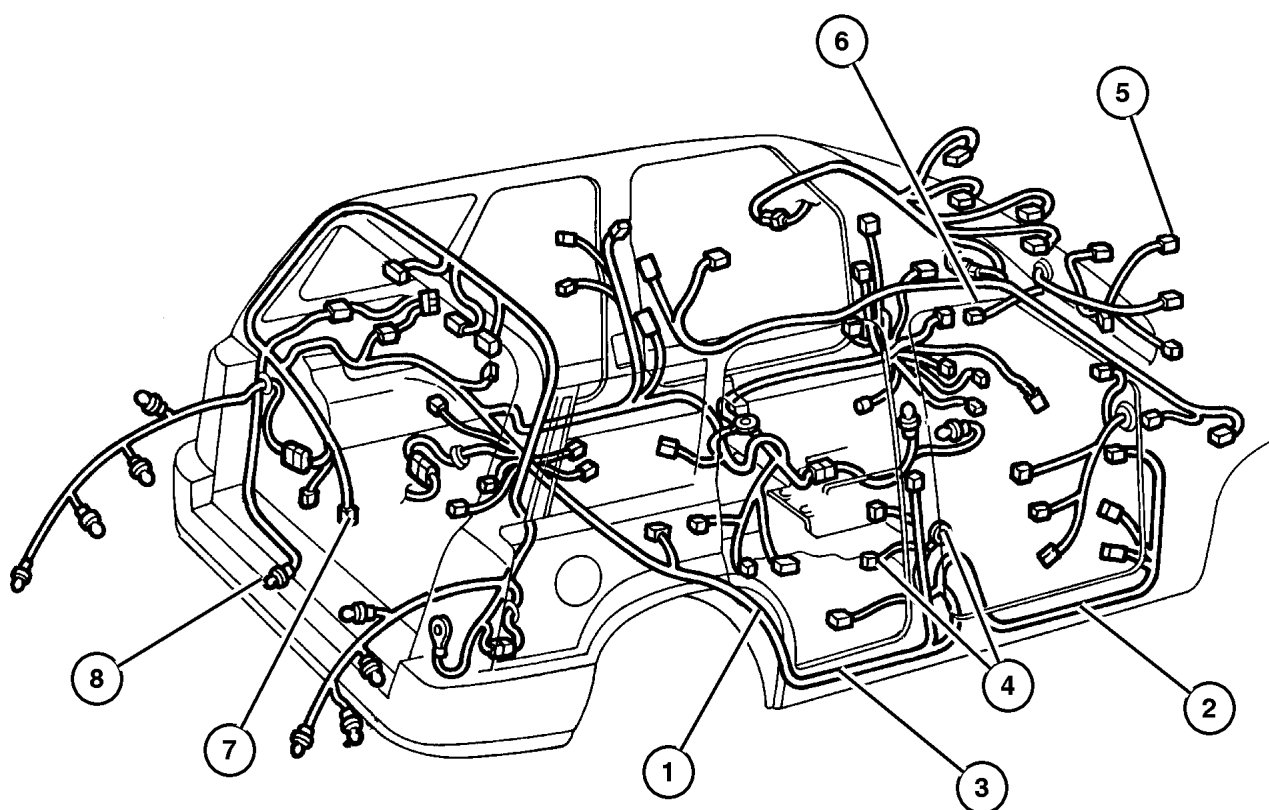
JEEP GRAND CHEROKEE (WJ)

SERIES	LINE	BODY	ENGINE	TRANSMISSION
H=Laredo	J = 4WD	74 = 4 Door(105.9 WB)	ER0, ERH = 4.0L, Power Tech I-6	DGK = 4 Speed Autm, 42RE
P=Limited	T = 2WD		EVO, EVA = 4.7L, Power Tech V8	DGW = 4 Speed Automatic, -44RE
	U = 4WD (RHD)		EXA, EX0 = 3.1L, 5 Cyl Turbo Diesel	DG4 = Multi Speed Automatic, -45RFE
				DGO = All Automatic

AR = Use as required - = Non illustrated part # = New this model year

April 3, 2002

Wiring - Body & Accessories
Figure 008-1510



ITEM	PART NUMBER	QTY	LINE	SERIES	BODY	ENGINE	TRANS	DESCRIPTION
ER0=4.0L Engine WD-Right Hand Drive---B=2 WD-Right Hand Drive								
EVO=4.7L Engine WD-Right Hand Drive---B=2 WD-Right Hand Drive								
EX0=3.0L/3.1L Turbo Diesel Engine WD-Right Hand Drive---B=2 WD-Right Hand Drive								
1								WIRING, Body
	56042 428AE	1	J, T			ER0,		w/o 10 Disc Remote CD Changer, Right
						EVO		
	56042 458AE	1	J, T			EX0		w/o 10 Disc Remote CD Changer, Right
	#56042 567AE	1	U			EX0		w/o 10 Disc Remote CD Changer, Left
	#56042 586AE	1	U			EX0		w/10 Disc Remote CD Changer, Left
	56042 589AE	1	J, T			ER0,		w/10 Disc Remote CD Changer, Right
						EVO		
	56042 590AE	1	J, T			EX0		w/10 Disc Remote CD Changer, Right
	#56042 700AB	1	J, T					w/Power Seats, Left
	#56042 705AB	1	J, T					w/o Power Seats, Left
	#56042 706AB	1	J, T					w/o Power Seats & w/o Infinity Speaker System, Right
	#56042 707AB	1	J, T					w/Power Seats & w/Infinity Speaker System, Right
	#56042 708AB	1	J, T					w/10 Disc Remote CD Changer, Right
	#56042 730AA	1	J, T			ER0,		Left
						EVO		
	#56042 735AA	1	J, T			EX0		w/o 10 Disc Remote CD Changer, Left
	#56042 750AA	1	U			ER0,		
						EVO		
	#56042 751AA	1	U			ER0,		w/10 Disc Remote CD Changer, Left
						EVO		
	#56042 763AA	1	U					w/o 10 Disc Remote CD Changer, Right
	#56042 765AA	1	U					w/10 Disc Remote CD Changer, Right
2								WIRING, Front Door
	56042 219AE	1						w/Security Alarm (Driver Side), Front Door
	56042 220AE	1						(Passenger Side), Front Door
	56042 221AE	1						w/o Security Alarm (Driver Side), Front Door
	56042 824AE	1	U					EUROPE w/JAPAN Market Requirements (Driver Side), Front Door
3	56042 538AF	2						WIRING, Rear Door
4								WIRING, Door Jumper
	#56042 527AD	1	J, T	H				USA/CANADA w/o Infinity Speaker System (Laredo), Right
		1	J, T	H				USA/CANADA w/Infinity Speaker System (Laredo), Right

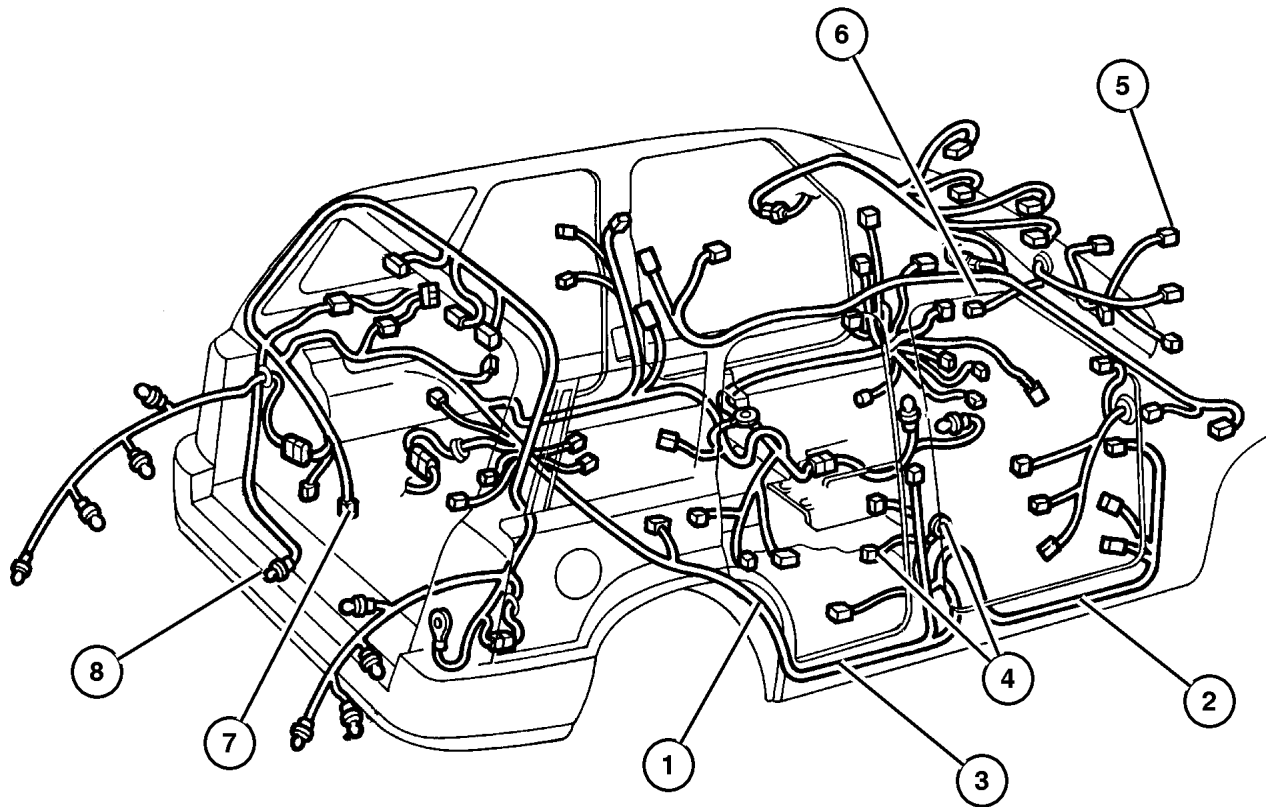
JEEP GRAND CHEROKEE (WJ)

SERIES	LINE	BODY	ENGINE	TRANSMISSION
H=Laredo	J = 4WD	74 = 4 Door(105.9 WB)	ER0, ERH = 4.0L, Power Tech I-6	DGK = 4 Speed Autm, 42RE
P=Limited	T = 2WD		EVO, EVA = 4.7L, Power Tech V8	DGW = 4 Speed Automatic, -44RE
	U = 4WD (RHD)		EXA, EX0 = 3.1L, 5 Cyl Turbo Diesel	DG4 = Multi Speed Automatic, -45RFE
				DGO = All Automatic

AR = Use as required - = Non illustrated part # = New this model year

April 3, 2002

Wiring - Body & Accessories
Figure 008-1510



ITEM	PART NUMBER	QTY	LINE	SERIES	BODY	ENGINE	TRANS	DESCRIPTION
	#56042 569AD	1	J, T	P				EUROPE w/Infinity Speaker System, Left
		1	U	P				EUROPE w/Infinity Speaker System, Right
	#56042 570AD	1	U	P				EUROPE w/Infinity Speaker System & JAPAN Market Requirements, Left
		1	J, T	P				EUROPE, Right
	#56042 571AD	1	J, T	H				EUROPE w/Infinity Speaker System, Right & Left
		1	U	H				EUROPE w/Infinity Speaker System & JAPAN Market Requirements, Right & Left
	#56042 525AD	1	J, T	P				USA/CANADA, Left
	#56042 526AD	1	J, T	P				USA/CANADA, Right
	56042 569AB	1	U	P				EUROPE w/Infinity Speaker System & JAPAN Market Requirements, Right
	#56042 570AD	1	U	P				EUROPE w/Infinity Speaker System, Left
	#56042 571AD	1	U	H				EUROPE w/Infinity Speaker System, Right & Left
	#56042 570AE	1	J, T	P				USA/CANADA w/o Infinity Speaker System (Limited), Right & Left
		1	U	P				USA/CANADA w/Infinity Speaker System (Limited), Right & Left
		1	U	P				EUROPE w/Infinity Speaker System (Limited), Right & Left
		1	U	P				EUROPE w/Infinity Speaker System & JAPAN Market Requirements (Limited), Right & Left
5	56042 574AD	1						WIRING, Underhood Lamp
6								WIRING, Steering Wheel
	56042 592AB	1		H				
	56042 595AB	1						
7	#56042 800AA	1						WIRING, Liftgate
8	56042 239AE	1						WIRING, Trailer Tow
-9	56038 366AB	1						CONNECTOR, 7 Way
-10	5601 9823	1						ADAPTER, Trailer Tow
-11	8220 3600	1						COVER KIT, Trailer Tow
-12								WIRING, Headliner
	56042 235AE	1	U					w/o Sunroof
		1	J, T					w/o Sunroof
	56042 236AE	1	J, T					w/Sunroof

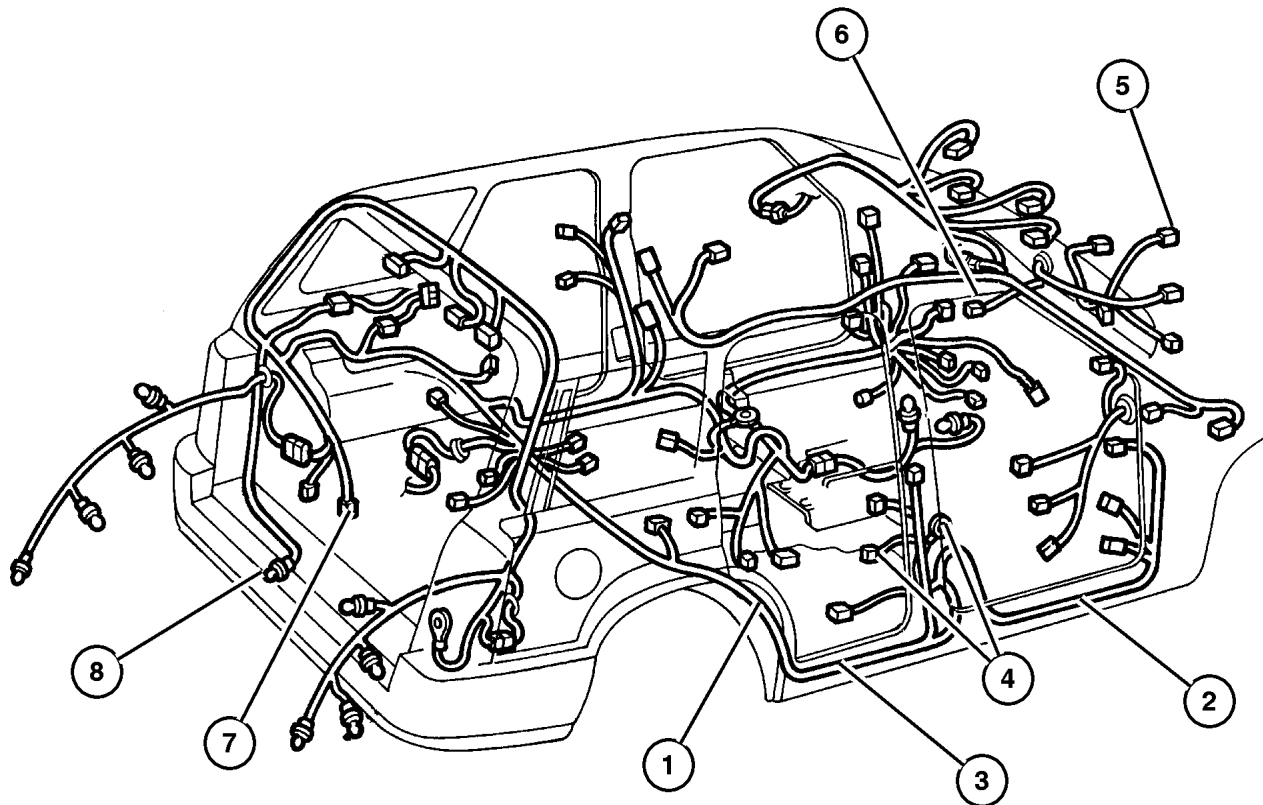
JEEP GRAND CHEROKEE (WJ)

SERIES	LINE	BODY	ENGINE	TRANSMISSION
H=Laredo	J = 4WD	74 = 4 Door(105.9 WB)	ER0, ERH = 4.0L, Power Tech I-6	DGK = 4 Speed Autm, 42RE
P=Limited	T = 2WD		EVO, EVA = 4.7L, Power Tech V8	DGW = 4 Speed Automatic, -44RE
	U = 4WD (RHD)		EXA, EX0 = 3.1L, 5 Cyl Turbo Diesel	DG4 = Multi Speed Automatic, -45RFE
				DGO = All Automatic

AR = Use as required - = Non illustrated part # = New this model year

April 3, 2002

Wiring - Body & Accessories
Figure 008-1510



ITEM	PART NUMBER	QTY	LINE	SERIES	BODY	ENGINE	TRANS	DESCRIPTION
		1	U					w/Sunroof
-13	55196 753AA	1	J, T					WIRING, Overhead Lighting w/o Sunroof
		1	U					w/o Sunroof
	55196 754AA	1	J, T					w/Sunroof
		1	U					w/Sunroof
-14	4481 618	2						WIRING, Side Repeater Lamp, EUROPE
-15	4793 554	1						POWER OUTLET, Cigar Lighter, Quarter Trim Panel
-16								CAP, Cigar Lighter
	4685 591	1						Quarter Trim Panel
	5600 8852	1	J, T					w/o Cigar Lighter
-17								WIRING, Seat
	5015 741AA	1	J, T					Up to 01/17/00, 10 Way w/Memory [JTC], Left Seat
	5015 742AA	1	J, T					Up to 01/17/00, 10 Way w/Memory & Heated Seat [JTF], Left Seat
	5015 743AA	1	J, T					Power & Heated Seat [JPX], Left Seat
		1	U					Up to 01/17/00, 10 Way w/Memory & Heated Seat [JTF], Left Seat
	5015 744AA	1	J, T					Power Seat [JPT], Left Seat
	5015 745AA	1	J, T					Up to 01/17/00, 10 Way w/Map Pocket [JP2], Left Seat
	5015 746AA	1	J, T					Power & Heated Seat [JPX], Right Seat
		1	J, T					10 Way w/Memory & Heated Seat [JTF], Right Seat
	5015 747AA	1	J, T					10 Way w/Map Pocket [JP2], Right Seat
		1	J, T					10 Way w/Memory [JTC], Right Seat
		1	J, T					Power Seat [JPT] EUROPE, Right Seat
	5015 748AA	1	J, T					Up to 01/17/00, Power Seat [JPT], Right Seat
	5016 145AA	1	U					10 Way w/Memory & Heated Seat [JTF], Right Seat
	5016 149AA	1	U					Power Seat [JPT] EUROPE, Left Seat
	5016 150AA	1	U					Up to 01/17/00, 10 Way w/Memory [JTC] EUROPE, Right Seat
	5016 151AA	1	U					Up to 01/17/01, 10 Way w/Memory [JTC] EUROPE, Left Seat
	5016 152AA	1	J, T					Up to 01/17/00, 10 Way w/Memory [JTC] EUROPE, Left Seat
	5016 153AA	1	J, T					10 Way w/Memory & Heated Seat [JTF] EUROPE, Left Seat

JEEP GRAND CHEROKEE (WJ)

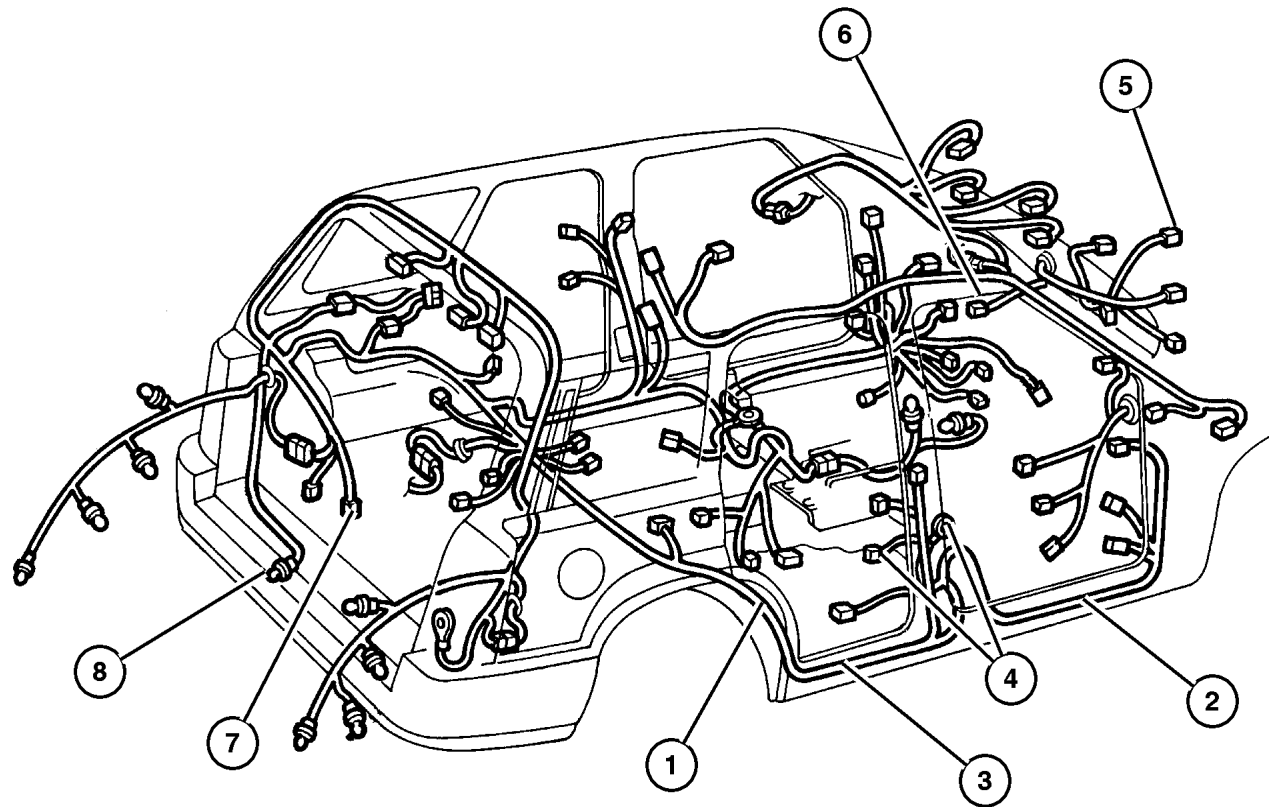
SERIES	LINE	BODY	ENGINE	TRANSMISSION
H=Laredo	J = 4WD	74 = 4 Door(105.9 WB)	ER0, ERH = 4.0L, Power Tech I-6	DGK = 4 Speed Autm, 42RE
P=Limited	T = 2WD		EVO, EVA = 4.7L, Power Tech V8	DGW = 4 Speed Automatic, -44RE
	U = 4WD (RHD)		EXA, EX0 = 3.1L, 5 Cyl Turbo Diesel	DG4 = Multi Speed Automatic, -45RFE
				DGO = All Automatic

AR = Use as required - = Non illustrated part # = New this model year

April 3, 2002

Wiring - Body & Accessories
Figure 008-1510

ITEM	PART NUMBER	QTY	LINE	SERIES	BODY	ENGINE	TRANS	DESCRIPTION
	5016 154AA	1	J, T					Power Seat [JPT] EUROPE, Left Seat
	#5016 150AB	1	U					01/17/00 & After, 10 Way w/Memory [JTC] EUROPE, Right Seat
	#5016 151AB	1	U					01/17/00 & After, 10 Way w/Memory [JTC] EUROPE, Left Seat
	#5015 743AB	1	U					01/17/00 & After, 10 Way w/Memory & Heated Seat [JTF], Left Seat
	#5017 925AA	1	J, T					01/17/00 & After, 10 Way w/Memory [JTC], Left Seat
	#5017 926AA	1	J, T					01/17/00 & After, 10 Way w/Memory & Heated Seat [JTF], Left Seat
	#5017 928AA	1	J, T					01/17/00 & After, 10 Way w/Map Pocket [JP2], Left Seat
	#5017 930AA	1	J, T					01/17/00 & After, Power Seat [JPT], Right Seat
	#5016 152AB	1	J, T					01/17/00 & After, 10 Way w/Memory [JTC] EUROPE, Left Seat
-18	5016 560AA	1						WIRING, Sunroof



JEEP GRAND CHEROKEE (WJ)

SERIES	LINE	BODY	ENGINE	TRANSMISSION
H=Laredo	J = 4WD	74 = 4 Door(105.9 WB)	ER0, ERH = 4.0L, Power Tech I-6	DGK = 4 Speed Autm, 42RE
P=Limited	T = 2WD		EV0, EVA = 4.7L, Power Tech V8	DGW = 4 Speed Automatic, -44RE
	U = 4WD (RHD)		EXA, EX0 = 3.1L, 5 Cyl Turbo Diesel	DG4 = Multi Speed Automatic, -45RFE
				DGO = All Automatic

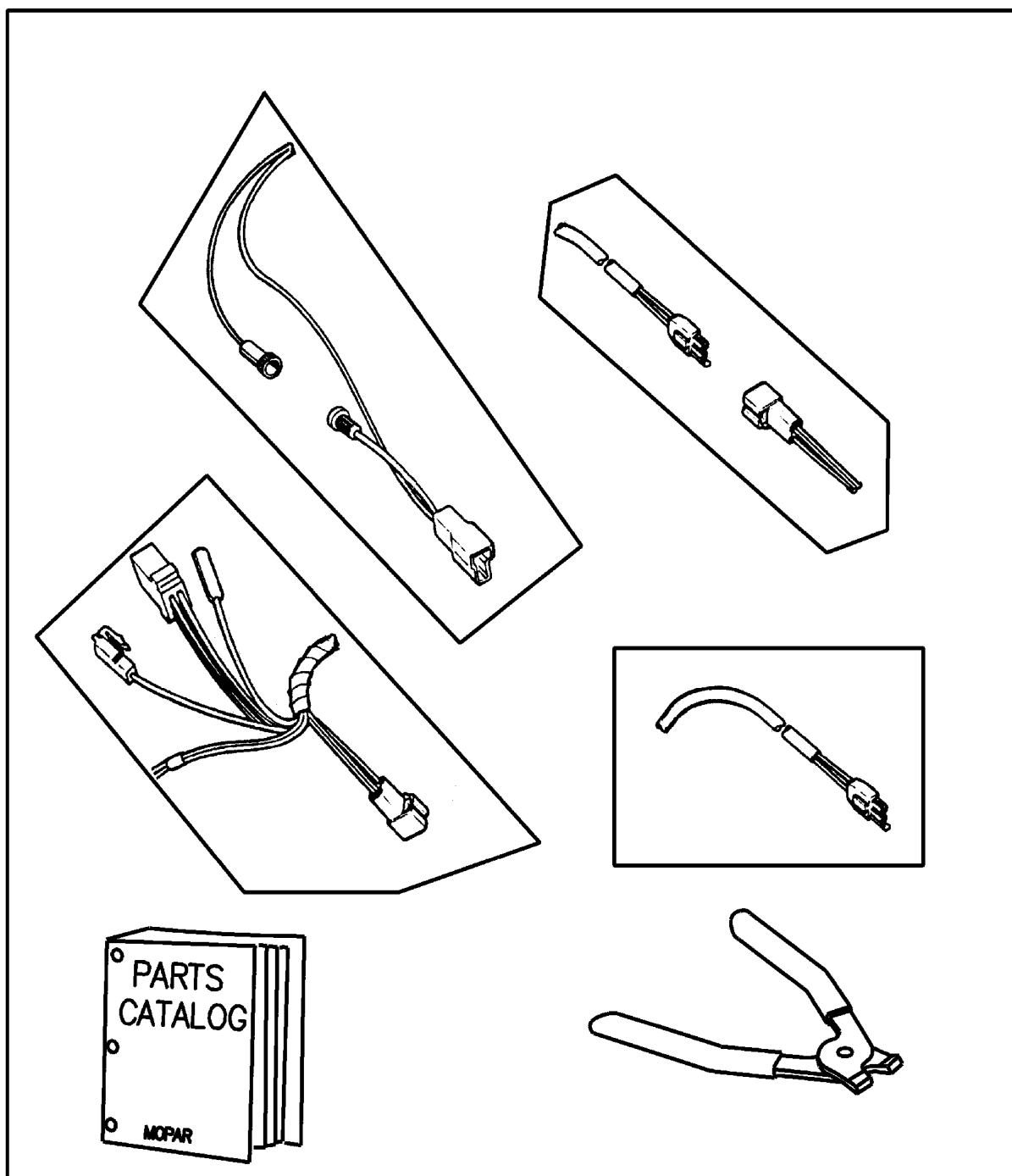
AR = Use as required - = Non illustrated part # = New this model year

April 3, 2002

Wiring Repair Packages
Figure 008-1605

ITEM	PART NUMBER	QTY	LINE	SERIES	BODY	ENGINE	TRANS	DESCRIPTION
------	-------------	-----	------	--------	------	--------	-------	-------------

ER0=4.0L Engine WD-Right Hand Drive---B=2 WD-Right Hand Drive								
EVO=4.7L Engine WD-Right Hand Drive---B=2 WD-Right Hand Drive								
EX0=3.0L/3.1L Turbo Diesel Engine WD-Right Hand Drive---B=2 WD-Right Hand Drive								
1	5013 930AA	1						WIRING PACKAGE, Underhood Connector Repair
-2	4364 392	1				EX0		TUBE, Convoluted
-3	J417 5376	1	J, U					STRAP, Tie



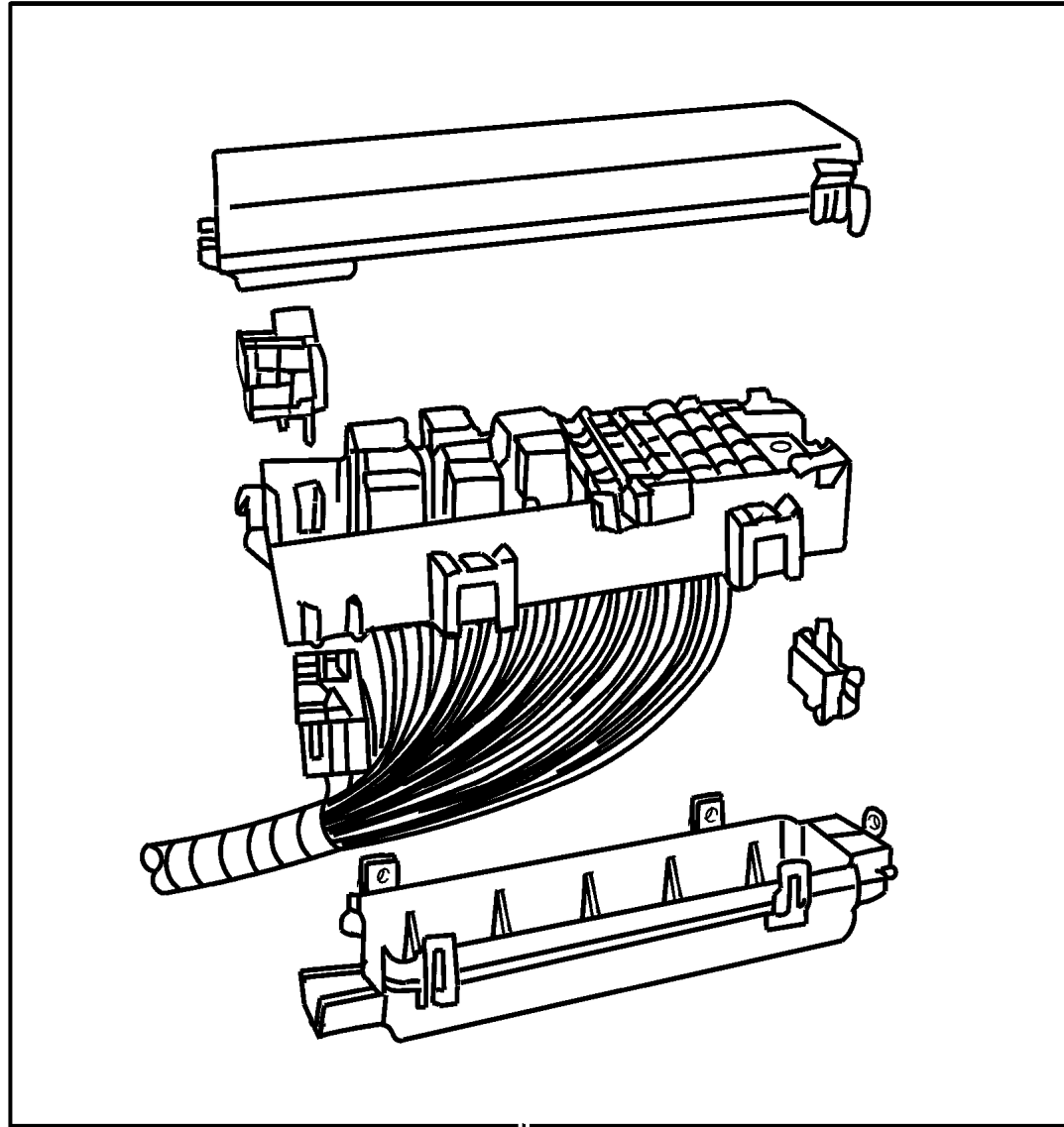
JEEP GRAND CHEROKEE (WJ)				
SERIES	LINE	BODY	ENGINE	TRANSMISSION
H=Laredo	J = 4WD	74 = 4 Door(105.9 WB)	ER0, ERH = 4.0L, Power Tech I-6	DGK = 4 Speed Autm, 42RE
P=Limited	T = 2WD		EVO, EVA = 4.7L, Power Tech V8	DGW = 4 Speed Automatic, -44RE
	U = 4WD (RHD)		EXA, EX0 = 3.1L, 5 Cyl Turbo Diesel	DG4 = Multi Speed Automatic, -45RFE
				DGO = All Automatic

AR = Use as required - = Non illustrated part # = New this model year

April 3, 2002

Power Distribution Center Repair
Figure 008-1610

ITEM	PART NUMBER	QTY	LINE	SERIES	BODY	ENGINE	TRANS	DESCRIPTION
1								REPAIR KIT, Power Distribution Center, (NOT SERVICED)



1

JEEP GRAND CHEROKEE (WJ)

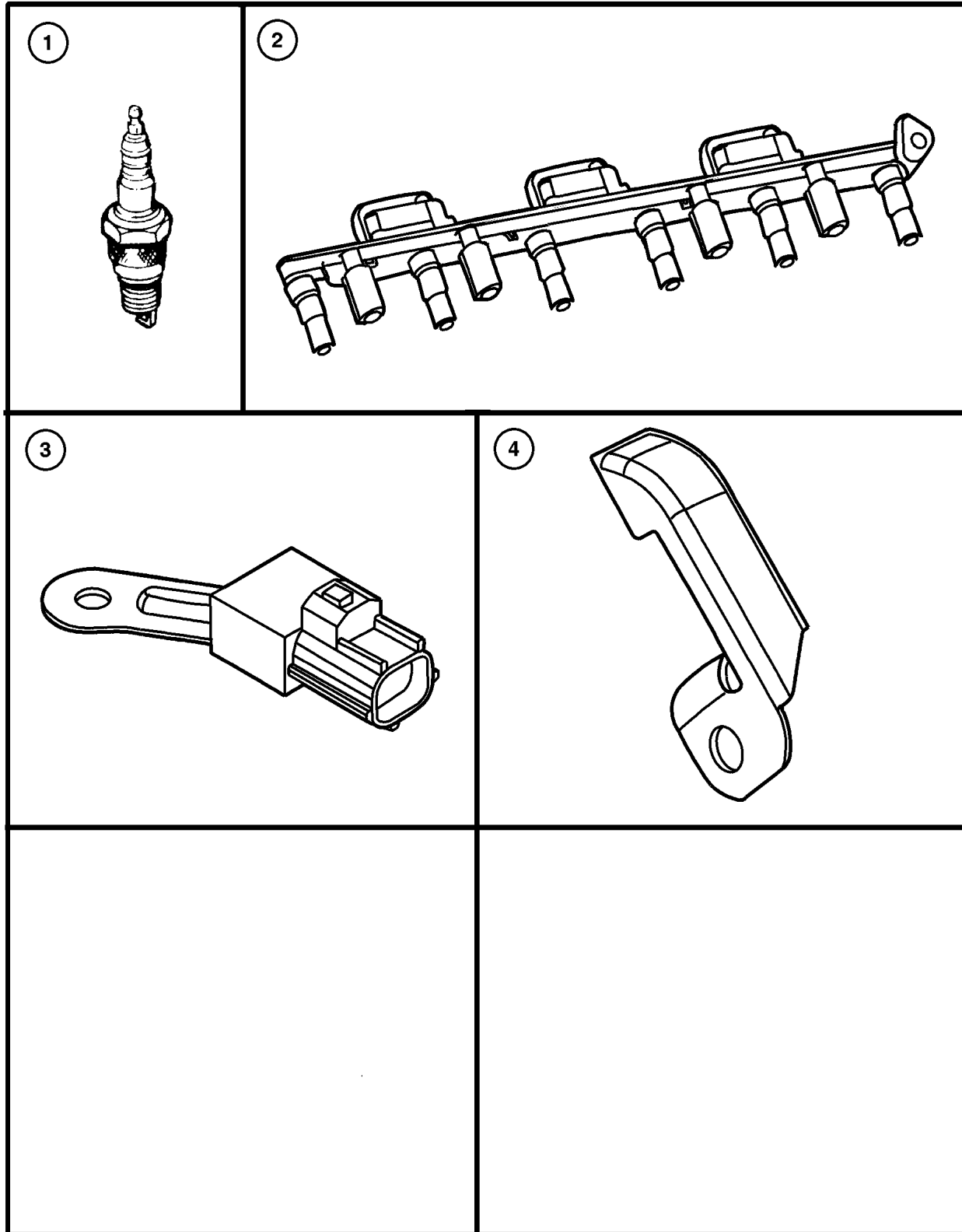
SERIES	LINE	BODY	ENGINE	TRANSMISSION
H=Laredo	J = 4WD	74 = 4 Door(105.9 WB)	ER0, ERH = 4.0L, Power Tech I-6	DGK = 4 Speed Autm, 42RE
P=Limited	T = 2WD		EV0, EVA = 4.7L, Power Tech V8	DGW = 4 Speed Automatic, -44RE
	U = 4WD (RHD)		EXA, EX0 = 3.1L, 5 Cyl Turbo Diesel	DG4 = Multi Speed Automatic, -45RFE
				DGO = All Automatic

AR = Use as required - = Non illustrated part # = New this model year

April 3, 2002

Spark Plugs - Coils Figure 008-1910

ITEM	PART NUMBER	QTY	LINE	SERIES	BODY	ENGINE	TRANS	DESCRIPTION
ER0=4.0L Engine WD-Right Hand Drive---B=2 WD-Right Hand Drive								
EVO=4.7L Engine WD-Right Hand Drive---B=2 WD-Right Hand Drive								
EX0=3.0L/3.1L Turbo Diesel Engine WD-Right Hand Drive---B=2 WD-Right Hand Drive								
DG0=Automatic Transmission WD-Right Hand Drive---B=2 WD-Right Hand Drive								
DGW= Automatic Transmission 4 Speed Automatic 44RE WD-Right Hand Drive---B=2 WD-Right Hand Drive								
DGK=Automatic Transmission 4 Speed WD-Right Hand Drive---B=2 WD-Right Hand Drive								
DG4=Automatic Transmission Multi-Speed WD-Right Hand Drive---B=2 WD-Right Hand Drive								
1								SPARK PLUG
	56028 236AA	8				EVO		RC12MCC4
	56041 402AB	6				ER0		RC12ECC
2								COIL, Ignition
	#56028 138AB	8				EVO		EVO (4.7L 6 Cyl GAS)
	#56041 476AA	1				ER0		ERO (4.0L GAS)
3	56041 396AA	2				EVO		CAPACITOR, Ignition
4	56041 388AA	1				ER0	DG0	SHIELD, Wiring
-5	5015 297AA	8				EVO		O RING, Coil Pack
-6	6102 146AA	4				ER0		SCREW AND WASHER, Ignition Coil Mounting



JEEP GRAND CHEROKEE (WJ)

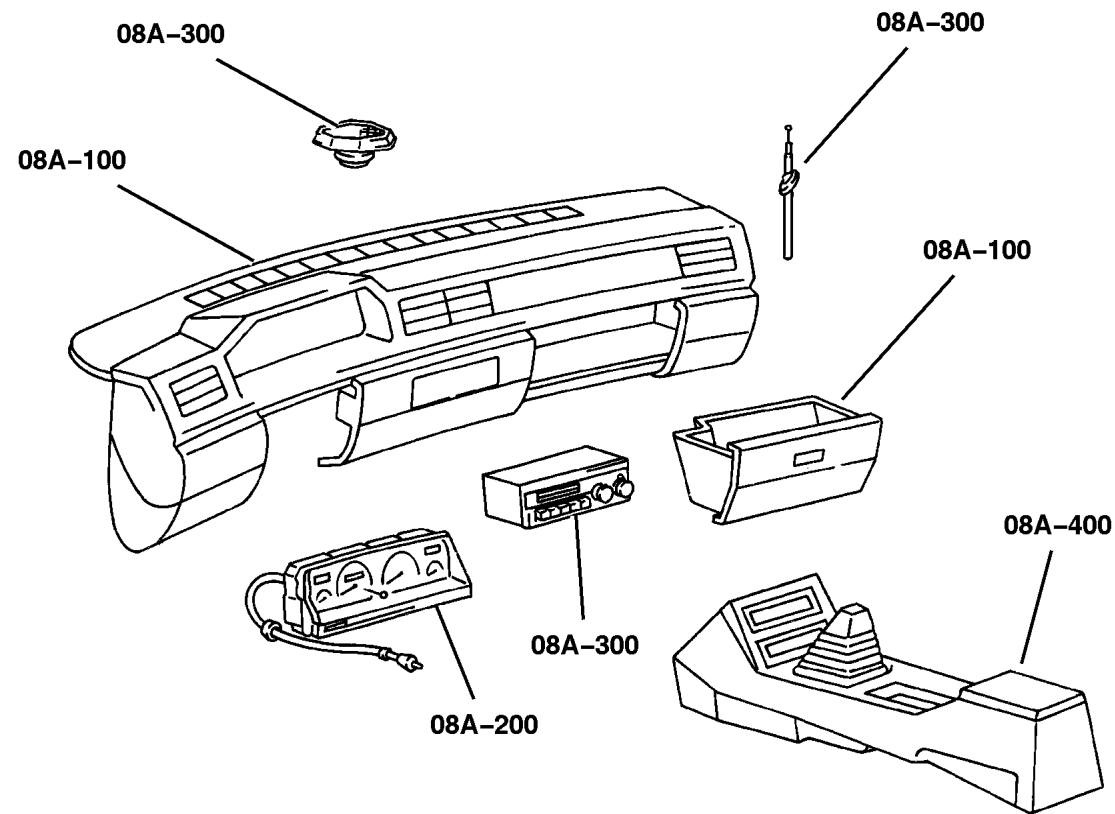
SERIES	LINE	BODY	ENGINE	TRANSMISSION
H=Laredo	J = 4WD	74 = 4 Door(105.9 WB)	ER0, ERH = 4.0L, Power Tech I-6	DGK = 4 Speed Autm, 42RE
P=Limited	T = 2WD		EVO, EVA = 4.7L, Power Tech V8	DGW = 4 Speed Automatic,
	U = 4WD (RHD)		EXA, EX0 = 3.1L, 5 Cyl Turbo Diesel	-44RE
				DG4 = Multi Speed Automatic,
				-45RFE
				DGO = All Automatic

AR = Use as required - = Non illustrated part # = New this model year

April 3, 2002

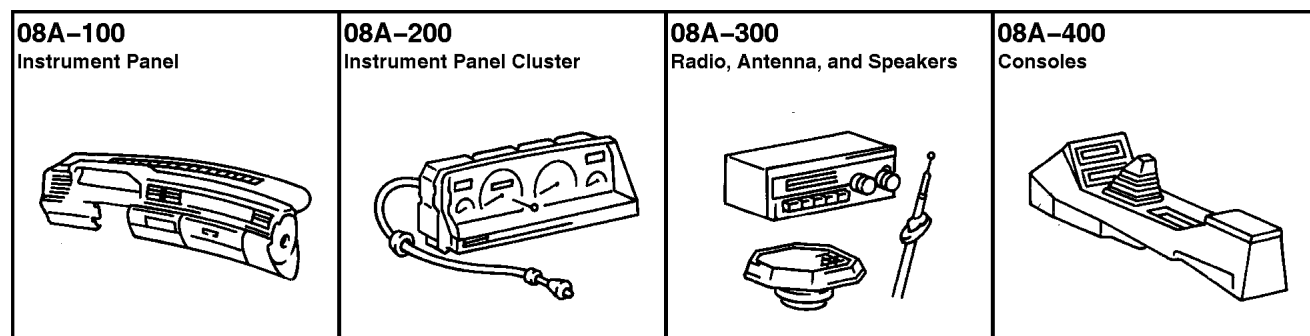
Group – 08A

Instrument Panel and Radios and Consoles

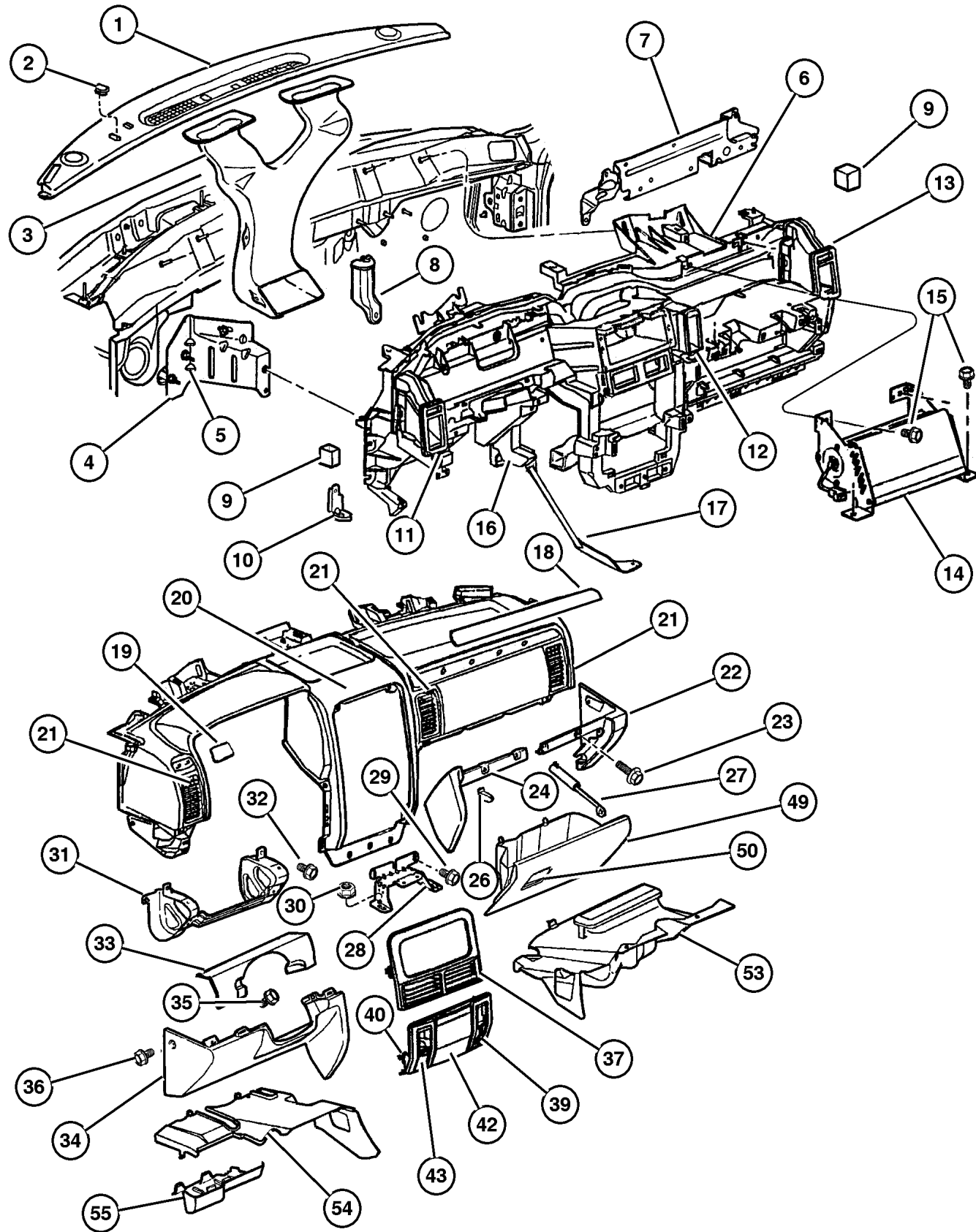


GROUP 8A - Instrument Panel and Radios and Consoles

Illustration Title	Group-Fig. No.
Instrument Panel	
Instrument Panel	Fig. 08A-110
Instrument Panel Cluster	
Instrument Cluster	Fig. 08A-210
Radio, Antenna, and Speakers	
Radios	Fig. 08A-310
Antenna	Fig. 08A-320
Speakers	Fig. 08A-325
Consoles	
Floor Console	Fig. 08A-410
Overhead Console	Fig. 08A-420



**Instrument Panel
Figure 08A-110**



ITEM	PART NUMBER	QTY	LINE	BODY	DESCRIPTION
1					COVER, Instrument Panel
	QR20 LAZAC	1			Agate
	QR20 VK9AC	1			Suede
	QR20 WL8AC	1			Brown
2	5EL1 1SAZ	1			PLUG, Solar Sensor, Agate
3					DUCT, Defroster
	5511 6014	1	J, T		
	55116 394AA	1	U		
4					BRACKET, Instrument Panel
	#55116 395AC	1	J, T		
	55116 396AA	1	U		
5					NUT, M6x1, (NOT SERVICED)
6					DUCT, Instrument Panel, Structural
	55116 295AC	1	U		
	55116 407AC	1	J, T		
7					BRACKET, Instrument Panel, C-Chanel Cover
	55116 373AB	1	J, T		
	55116 376AB	1	U		
8	55116 397AA	1			BRACKET, Instrument Panel
9					SPACER
	52850 582AA	1			Right
	52850 583AA	1			Left
10					BRACKET, Instrument Panel, Courtesy Lamp
	55116 390AB	1	J, T		
	55116 418AA	1	U		
11	55116 287AB	1			DUCT, Instrument Panel, Extension Left
12					DUCT, Instrument Panel, Extension In Board
	55116 285AA	1	J, T		
	55116 439AA	1	U		
13	55116 286AB	1			DUCT, Instrument Panel, Extension Right
14	#55115 945AD	1			AIR BAG, Passenger
15					SCREW, Hex Head, (NOT SERVICED)
16					BRACKET, Instrument Panel, Steering Column Support
	55116 032AC	1	J, T		
	55116 299AD	1	U		
17					STRAP, Serviced in Assembly, (NOT SERVICED)
18					BEZEL, Instrument Panel
	#55116 481AA	1	U		Spartan Burl, Passenger Side
	#55116 482AA	1	J, T		Spartan Burl, Passenger Side
19					BEZEL, Instrument Panel, Armature Assembly & A/C Outlet Bezel Included
	#55116 475AA	1	J, T		Spartan Burl, Driver Side

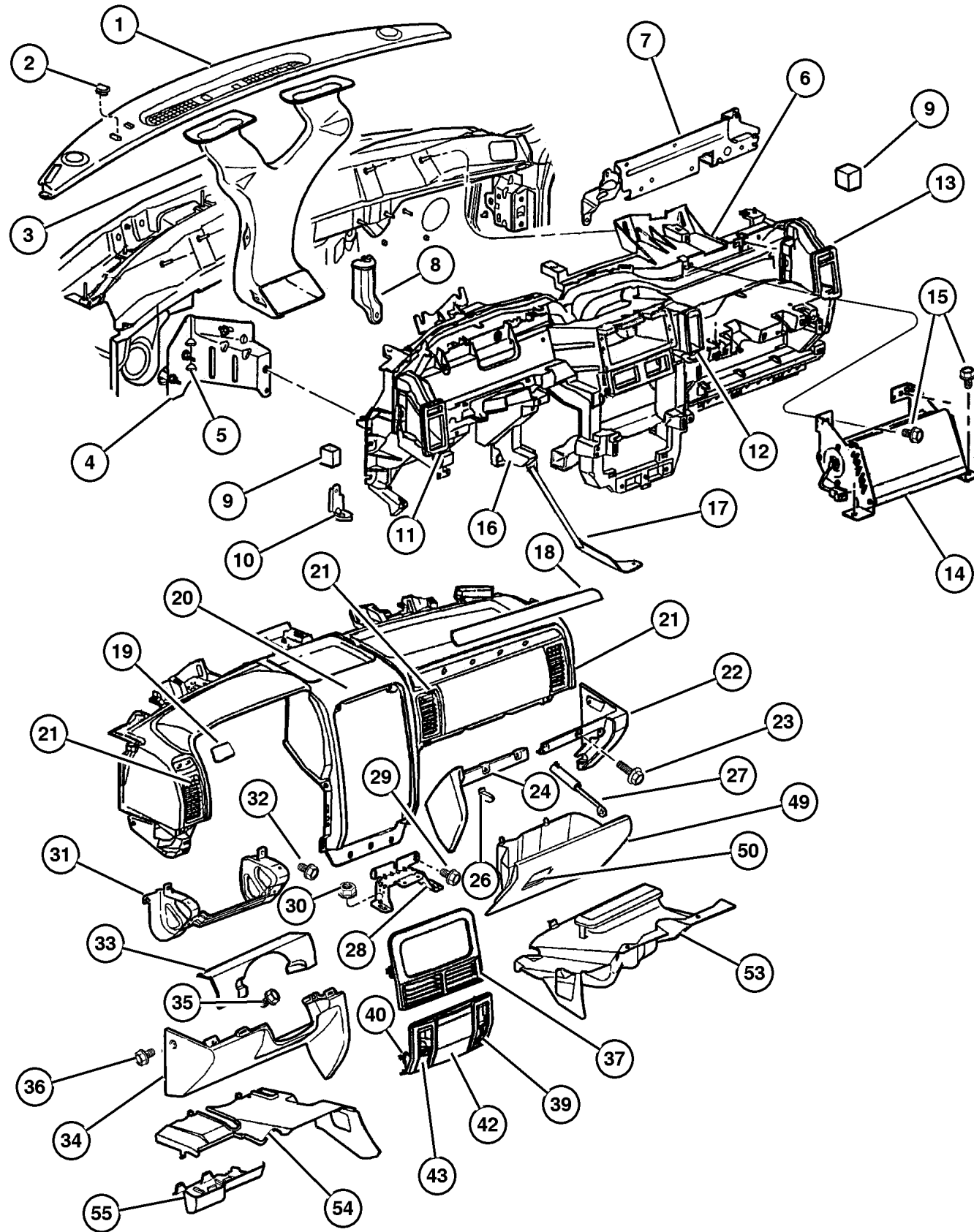
JEEP GRAND CHEROKEE (WJ)

SERIES	LINE	BODY	ENGINE	TRANSMISSION
H=Laredo	J = 4WD	74 = 4 Door(105.9 WB)	ER0, ERH = 4.0L, Power Tech I-6	DGK = 4 Speed Autm, 42RE
P=Limited	T = 2WD		EVO, EVA = 4.7L, Power Tech V8	DGW = 4 Speed Automatic, -44RE
	U = 4WD (RHD)		EXA, EX0 = 3.1L, 5 Cyl Turbo Diesel	DG4 = Multi Speed Automatic, -45RFE
				DGO = All Automatic

AR = Use as required - = Non illustrated part # = New this model year

April 3, 2002

Instrument Panel
Figure 08A-110



ITEM	PART NUMBER	QTY	LINE	BODY	DESCRIPTION
	#55116 476AA	1	U		Spartan Burl, Drivers Side
20					PAD, Instrument Panel
	#5GZ10 1AZAA	1	J, T		Agate
	#5GZ10 1K9AA	1	J, T		Suede
	#5GZ10 1L8AA	1	J, T		Brown
	#5GZ11 1AZAA	1	U		Agate
	#5GZ11 1K9AA	1	U		Suede
21					OUTLET, Air Conditioning & Heater
	#5GZ12 1AZAA	1	J, T		Agate (Inboard)
	#5GZ12 1K9AA	1	J, T		Suede (Inboard)
	#5GZ12 1L8AA	1	J, T		Brown (Inboard)
	#5GZ13 1AZAA	1	J, T		Agate (Left Side)
		1	U		Agate (Left Side)
	#5GZ13 1K9AA	1	J, T		Suede (Left Side)
		1	U		Suede (Left Side)
	#5GZ13 1L8AA	1	J, T		Brown (Left Side)
	#5GZ14 1AZAA	1	J, T		Agate (Right Side)
		1	U		Agate (Right Side)
	#5GZ14 1K9AA	1	J, T		Suede (Right Side)
		1	U		Suede (Right Side)
	#5GZ14 1L8AA	1	J, T		Brown (Right Side)
		1	U		Brown (Right Side)
	#5GZ15 1AZAA	1	U		Agate (Inboard)
	#5GZ15 1AZAB	1	U		Suede (Inboard)
22					CAP, Instrument Panel End
	5EY42 LAZAB	1	J, T		Agate
	5EY42 RK5AB	1	J, T		Tan/Agate
	5EY42 WL5AB	1	J, T		Taupe
	5FX24 LAZAB	1	U		Agate
	5FX24 RK5AB	1	U		Tan/Agate
23	6032 723	3			SCREW, Self Tapping, M4.2x1.69x19.05
24					BEZEL, Instrument Panel
	5FU66 LAZAB	1	J, T		Lower Right Center (Agate)
	5FU66 RK5AB	1	J, T		Lower Right Center (Tan/Agate)
	5FU66 WL5AB	1	J, T		Lower Right Center (Taupe)
	5FX20 LAZAB	1	U		Lower Left Center (Agate)
	5FX20 RK5AB	1	U		Lower Left Center (Tan/Agate)
-25	6101 946	4			SCREW, Tapping
26					STRIKER, Glove Box Door Latch
	55116 374AA	1			Right
	55116 375AA	1			Left
27	55116 424AA	1			DAMPENER, Glove Box Door
28	5511 6041	1			BRACKET, Instrument Panel

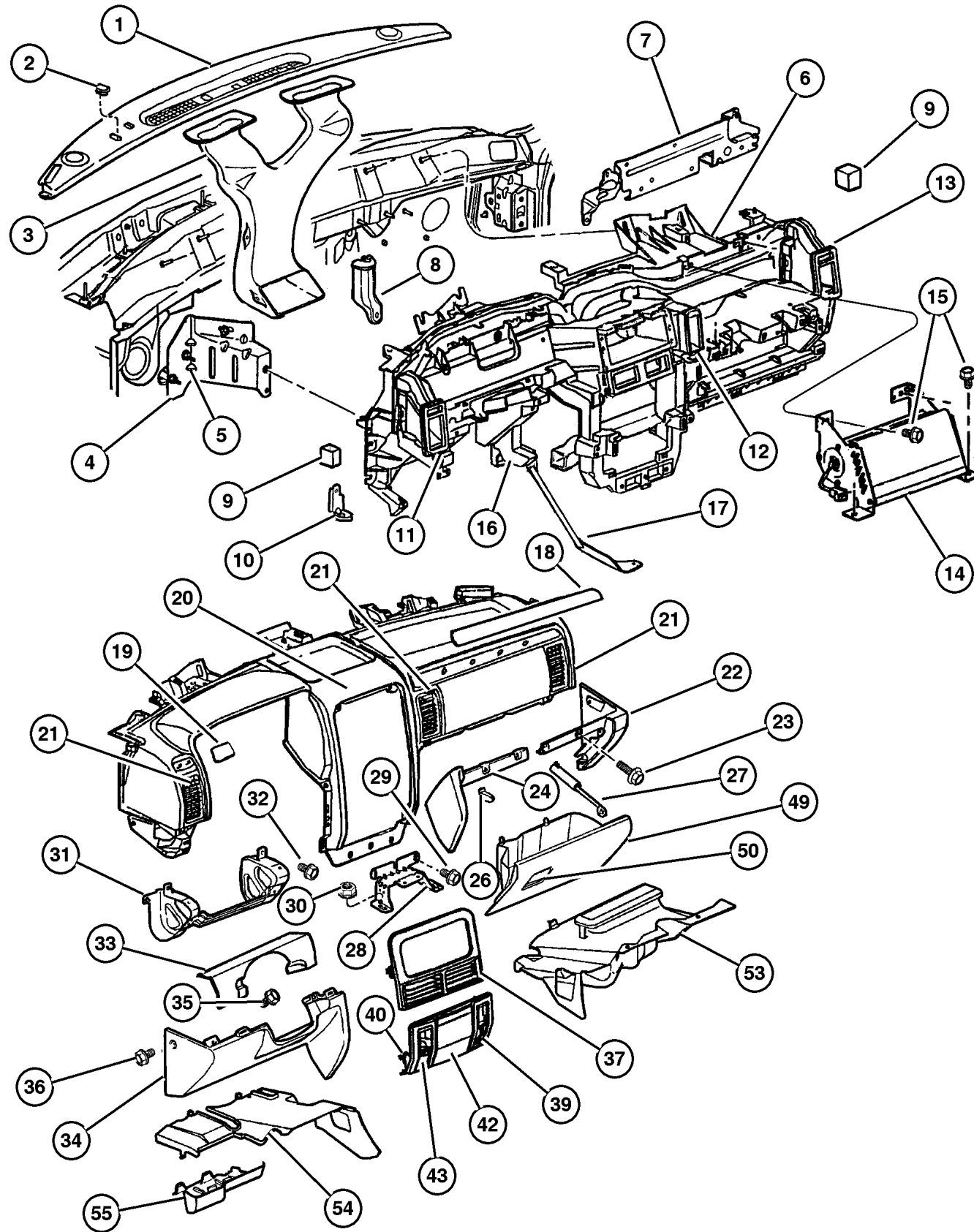
JEEP GRAND CHEROKEE (WJ)

SERIES	LINE	BODY	ENGINE	TRANSMISSION
H=Laredo	J = 4WD	74 = 4 Door(105.9 WB)	ER0, ERH = 4.0L, Power Tech I-6	DGK = 4 Speed Autm, 42RE
P=Limited	T = 2WD		EVO, EVA = 4.7L, Power Tech V8	DGW = 4 Speed Automatic, -44RE
	U = 4WD (RHD)		EXA, EX0 = 3.1L, 5 Cyl Turbo Diesel	DG4 = Multi Speed Automatic, -45RFE
				DGO = All Automatic

AR = Use as required - = Non illustrated part # = New this model year

April 3, 2002

Instrument Panel
Figure 08A-110



ITEM	PART NUMBER	QTY	LINE	BODY	DESCRIPTION
29					SCREW, M6X1X25, (NOT SERVICED)
30	6504 572	2			NUT AND WASHER, Hex Nut-Coned Washer, M8 x 1.25
31	55116 391AA	1			BRACKET, Instrument Panel
32	6101 786	4			SCREW, Self Tapping, M6x1x15
33					BEZEL, Instrument Cluster
	5FZ23 LAZAD	1	J, T		w/o H/Lamp Leveling Switch (Agate)
	5FZ23 VK9AD	1	J, T		w/o H/Lamp Leveling Switch (Suede)
	5FZ23 WL8AD	1	J, T		w/o H/Lamp Leveling Switch (Brown)
	5FZ26 LAZAD	1	J, T		w/H/Lamp Leveling Switch (Agate)
	5FZ26 VK9AD	1	J, T		w/H/Lamp Leveling Switch (Suede)
	5FZ28 LAZAC	1	U		w/o H/Lamp Leveling Switch (Agate)
	5FZ28 VK9AC	1	U		w/o H/Lamp Leveling Switch (Suede)
	5FZ31 LAZAC	1	U		w/H/Lamp Leveling Switch (Agate)
	5FZ31 VK9AC	1	U		w/H/Lamp Leveling Switch (Suede)
34					COVER, Instrument Panel, Steering Column Opening, 5EY40TRMAE (LHD)
	5FN60 LAZAB	1	U		Agate
	5FN60 RK5AB	1	U		Tan/Agate
	5EY40 LAZAE	1	J, T		Agate
	5EY40 RK5AE	1	J, T		Tan/Agate
	5EY40 WL5AE	1	J, T		Taupe
35	6101 946	4			SCREW, Tapping
36	6032 723	3			SCREW, Self Tapping, M4.2x1.69x19.05
37					BEZEL, Instrument Panel, Upper, (Radio Bezel Opening)
	#55116 479AA	1			Sparta Burl
	55116 277AB	1			Black
-38					ADAPTER, A/C And Heater Unit
	55116 366AB	1	J, T		
	55116 368AB	1	U		
39					BEZEL, Instrument Panel, Lower
	#5014 055AB	1			Laredo w/10 Way Power Heated Seats (Black) (Ash Reciever Assembly, Cigar & Power Outlet Assembly Included)
	#55116 280AB	1			Laredo w/Power Seats & w/o Heated Seats (Black) (Ash Reciever Assembly, Cigar & Power Outlet Assembly Included)
	#55116 483AA	1			Limited w/Power Seats & w/o Heated Seats (Sparta Burl) (Ash Reciever Assembly, Cigar & Power Outlet Assembly Included)
	#5019 799AA	1			Limited w/10 Way Power Heated Seats (Sparta Burl) (Ash Reciever Assembly, Cigar & Power Outlet Assembly Included)
40	55116 372AA	1			PIN, Pivot, Ash Tray Guide Pin
-41	6504 664	4			CLIP, Instrument Panel

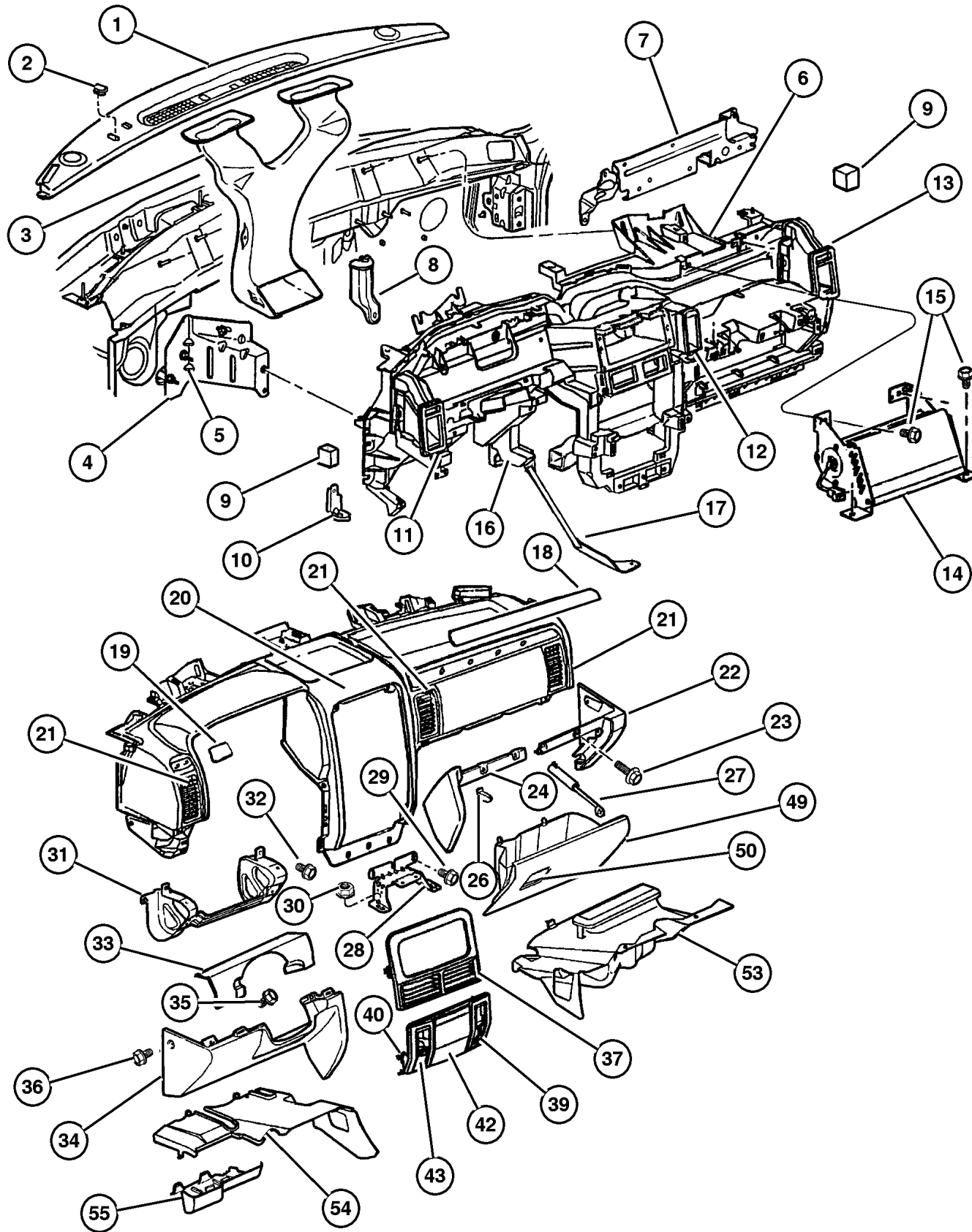
JEEP GRAND CHEROKEE (WJ)

SERIES	LINE	BODY	ENGINE	TRANSMISSION
H=Laredo	J = 4WD	74 = 4 Door(105.9 WB)	ER0, ERH = 4.0L, Power Tech I-6	DGK = 4 Speed Autm, 42RE
P=Limited	T = 2WD		EVO, EVA = 4.7L, Power Tech V8	DGW = 4 Speed Automatic, -44RE
	U = 4WD (RHD)		EXA, EX0 = 3.1L, 5 Cyl Turbo Diesel	DG4 = Multi Speed Automatic, -45RFE
				DGO = All Automatic

AR = Use as required - = Non illustrated part # = New this model year

April 3, 2002

**Instrument Panel
Figure 08A-110**



ITEM	PART NUMBER	QTY	LINE	BODY	DESCRIPTION
42	5511 6061	1			RECEPTACLE, Ash Receiver
43	55116 273AA	1			DOOR, Power Outlet
-44	5269 360	1			HOOD, Ash Receiver Lamp
-45	4793 554	1			POWER OUTLET, Cigar Lighter
-46	4793 551	1			BASE, Cigar Lighter
-47	4793 555	2			RING, Cigar Lighter Mounting
-48	5012 496AA	1			SPRING, Return Assist
49					GLOVE BOX, Instrument Panel
	5FN64 1AZAB	1	U		Agate
	5FN64 1K5AB	1	U		Tan/Agate
	5EY38 1AZAB	1	J, T		Agate
	5EY38 1K5AB	1	J, T		Tan/Agate
	5EY38 1L5AB	1	J, T		Taupe
50					LATCH, Glovebox Door
	5FK9 4LAZ	1	J, T		Agate
	5FK9 4RK5	1	J, T		Tan/Agate
	5FK9 4WL5	1	J, T		Taupe
	5FN6 6LAZ	1	U		Agate
	5FN6 6RK5	1	U		Tan/Agate
-51					BUMPER, Glove Box Door
	4524 343	1	J, T		
	55116 440AA	1	U		
-52	4565 022	1			SWITCH AND LAMP, Glove Box
53	55196 850AC	1	J, T		PANEL, Instrument Closure, Right
54	55196 851AC	1	J, T		PANEL, Instrument Closure, Left
55					COVER, Fuse Access
	55116 293AB	1	U		
	55116 219AB	1	J, T		
-56					PULLER, Fuse
	55196 762AA	1	J, T		
-57					LABEL, Air Bag Warning
	4595 748AA	1	J, T		Removable Dash Warning (Glovebox Door)
	4595 749AA	1	J, T		Bilingual Removable Dash Warning (Glovebox Door)
-58	4793 554	1			POWER OUTLET, Cigar Lighter, Quarter Trim Panel
-59	4685 370	1			KNOB AND ELEMENT, Cigar Lighter
-60					CAP, Cigar Lighter
	4685 591	1			Cap/Tether & Mount Ring (Cigar Lighter)
	5600 8852	1	J, T		Cap/Tether & Mount Ring (Power Outlet)

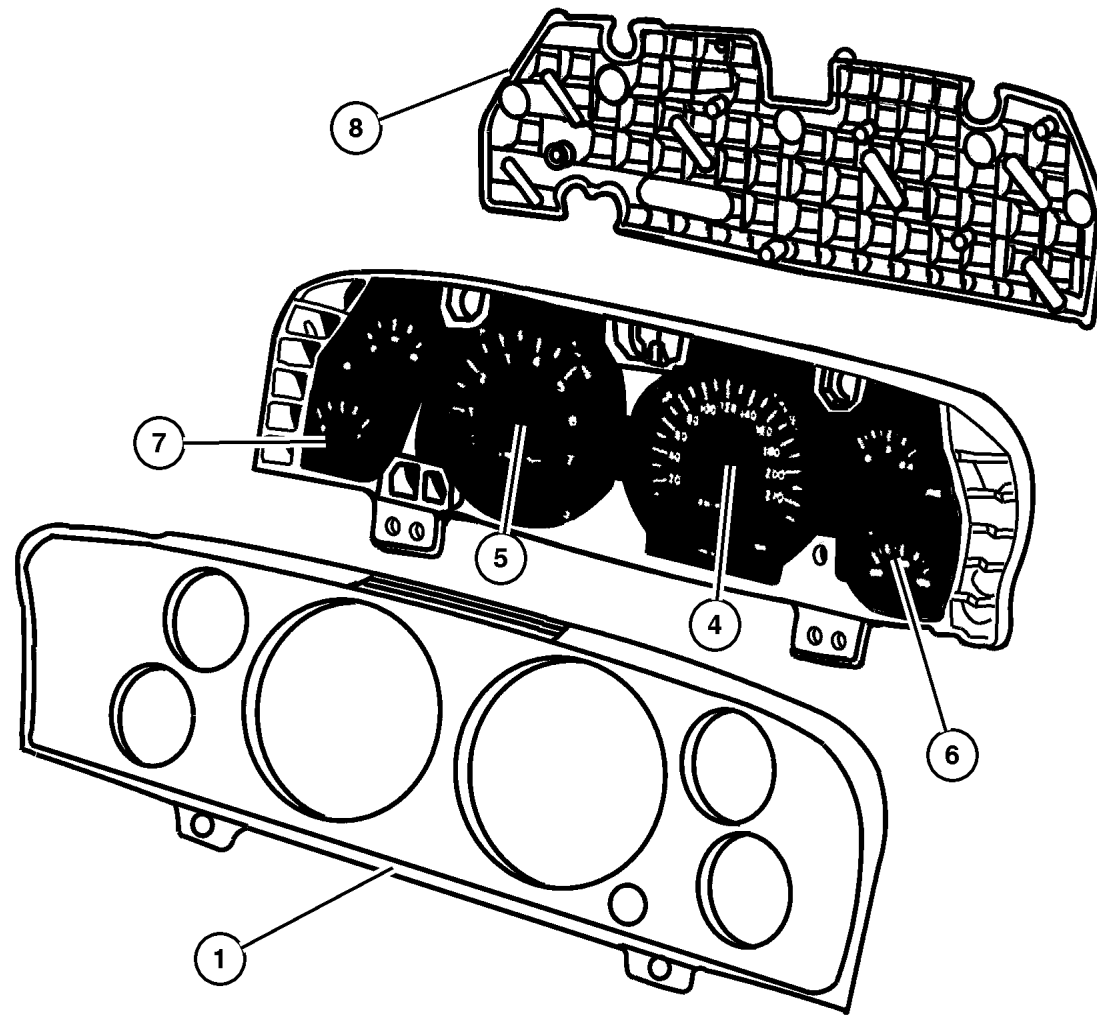
JEEP GRAND CHEROKEE (WJ)

SERIES	LINE	BODY	ENGINE	TRANSMISSION
H=Laredo	J = 4WD	74 = 4 Door(105.9 WB)	ER0, ERH = 4.0L, Power Tech I-6	DGK = 4 Speed Autm, 42RE
P=Limited	T = 2WD		EVO, EVA = 4.7L, Power Tech V8	DGW = 4 Speed Automatic, -44RE
	U = 4WD (RHD)		EXA, EX0 = 3.1L, 5 Cyl Turbo Diesel	DG4 = Multi Speed Automatic, -45RFE
				DGO = All Automatic

AR = Use as required - = Non illustrated part # = New this model year

April 3, 2002

**Instrument Cluster
Figure 08A-210**



ITEM	PART NUMBER	QTY	LINE	BODY	DESCRIPTION
1					LENS, Cluster
	#5016 211AA	1	J, T		4.0L/4.7L Engine w/120 MPH Primary w/Tach
	#5016 245AA	1	U		4.0L/4.7L Engine w/120 MPH Primary w/Tach
		1	J, T		4.0L/4.7L Engine w/230 KPH Primary w/Tach
		1	U		Diesel Engine w/120 MPH Primary w/Tach
		1	U		Diesel Engine w/200 KPM w/Tach
		1	U		4.0L/4.7L Engine w/200 KPM w/Tach
-2					BULB, PC74
	L000 PC74	19			
		16			
-3					BULB, PC121
	5269 529	5			4.0L/4.7L Engine
		5			Diesel Engine
4					GAUGE, Speedometer
	#5016 247AA	1	J, T		4.0L/4.7L Engine w/230 KPH Primary w/Tach
	#5016 311AA	1	U		4.0L/4.7L Engine w/200 KPM w/Tach
	#5016 309AA	1	U		4.0L/4.7L Engine w/120MPH Primary w/Tach
	#5016 247AA	1			4.0L/4.7L Engine w/230 KPH Primary w/Tach
	#5015 438AA	1	J, T		4.0L/4.7L Engine w/120MPH Primary w/Tach
	#5016 311AA	1	U		Diesel Engine w/200 KPM w/Tach (w/Miles Secondary-Metric)
	#5016 309AA	1	U		Diesel Engine w/120/125 Miles Primary w/Tach
	#5016 247AA	1			Diesel Engine w/230 KPH Primary w/Tach
5					GAUGE, Tachometer
	#5015 433AA	1			Gasoline Engine
	#5016 304AA	1			Diesel Engine
6					GAUGE, Temperature And Oil
	#5015 434AA	1	J, T		4.0L/4.7L Engine w/120 MPH Primary w/Tach
	#5016 246AA	1	J, T		4.0L/4.7L Engine w/230 KPH Primary w/Tach
		1	U		4.0L/4.7L Engine w/120 MPH Primary w/Tach
		1	U		4.0L/4.7L Engine w/200 KPM w/Tach
	#5016 307AA	1			Diesel Engine w/230 KPH Primary w/Tach
		1	U		Diesel Engine w/120 MPH Primary w/Tach
		1	U		Diesel Engine w/200 KPM w/Tach
7					GAUGE, Fuel And Volt
	#5015 436AA	1	J, T		4.0L/4.7L Engine w/120 MPH Primary w/Tach
		1	J, T		4.0L/4.7L Engine w/230 KPH Primary w/Tach
		1	U		4.0L/4.7L Engine w/120 MPH Primary w/Tach
		1	U		Diesel Engine w/120 MPH Primary w/Tach
		1	U		Diesel Engine w/200 KPM w/Tach
		1	U		4.0L/4.7L Engine w/200 KPM w/Tach
8					BOARD, Circuit, Cluster Housing & Back Cover Included w/ Circuit Board

JEEP GRAND CHEROKEE (WJ)

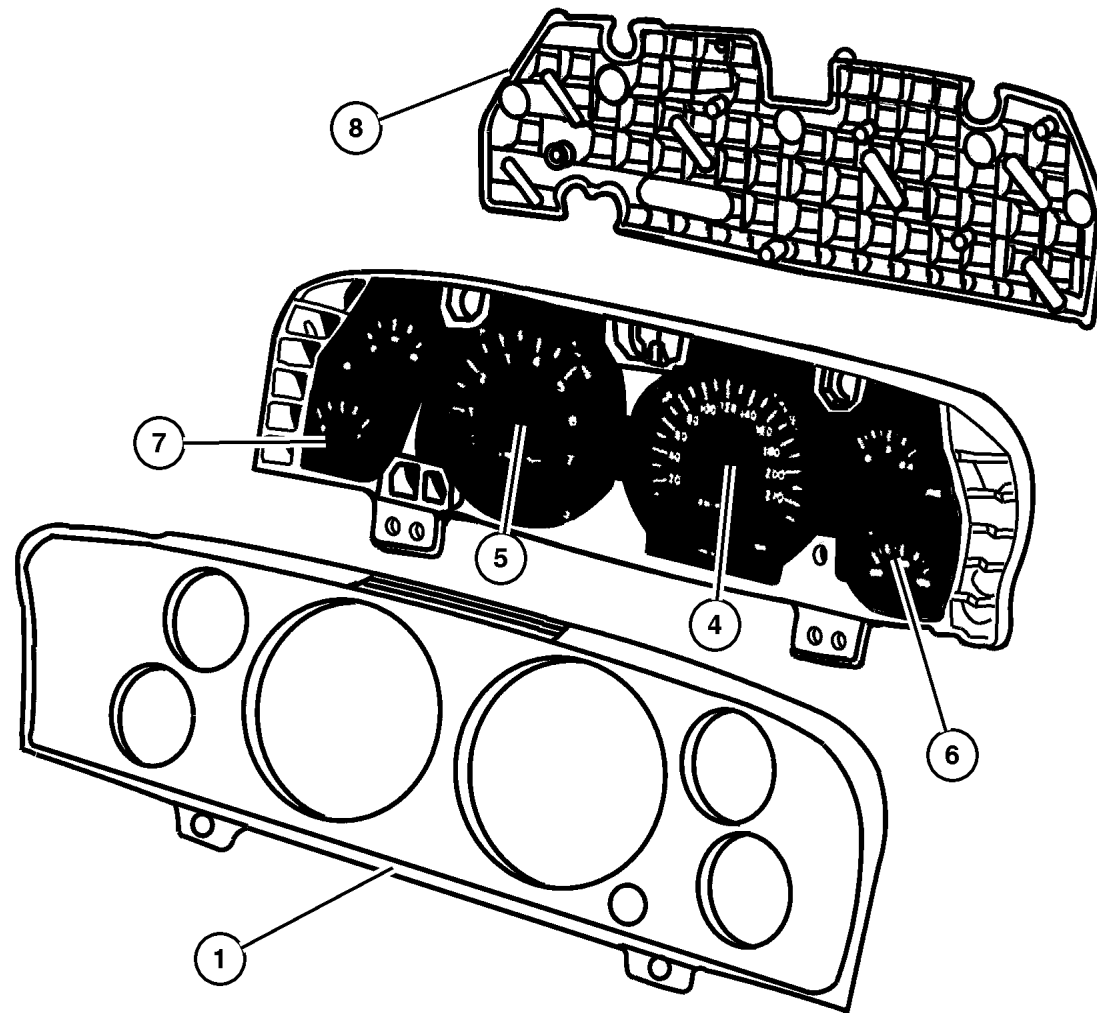
SERIES	LINE	BODY	ENGINE	TRANSMISSION
H=Laredo	J = 4WD	74 = 4 Door(105.9 WB)	ER0, ERH = 4.0L, Power Tech I-6	DGK = 4 Speed Autm, 42RE
P=Limited	T = 2WD		EV0, EVA = 4.7L, Power Tech V8	DGW = 4 Speed Automatic,
	U = 4WD (RHD)		EXA, EX0 = 3.1L, 5 Cyl Turbo Diesel	-44RE
				DG4 = Multi Speed Automatic,
				-45RFE
				DGO = All Automatic

AR = Use as required - = Non illustrated part # = New this model year

April 3, 2002

**Instrument Cluster
Figure 08A-210**

ITEM	PART NUMBER	QTY	LINE	BODY	DESCRIPTION
	#5015 437AA	1	J, T		4.0L/4.7L Engine w/120 MPH Primary w/Tach
	#5016 300AA	1	J, T		4.0L/4.7L Engine w/230 KPH Primary w/Tach
	#5016 308AA	1			Diesel Engine w/230 KPH Primary w/Tach
	#5016 310AA	1	U		Diesel Engine w/120 MPH Primary w/Tach
	#5016 312AA	1	U		Diesel Engine w/200 KPM w/Tach
	#5016 313AA	1	U		4.0L/4.7L Engine w/120 MPH Primary w/Tach
	#5016 317AA	1	U		4.0L/4.7L Engine w/200 KPM w/Tach
-9					KNOB, Odometer Reset
	4638 220	1			4.0L/4.7L Engine
		1			Diesel Engine
-10					SCREW, Tapping
	6101 946	8	J, T		
		2	U		
-11	6032 723	2			SCREW, Self Tapping, M4.2x1.69x19.05



JEEP GRAND CHEROKEE (WJ)

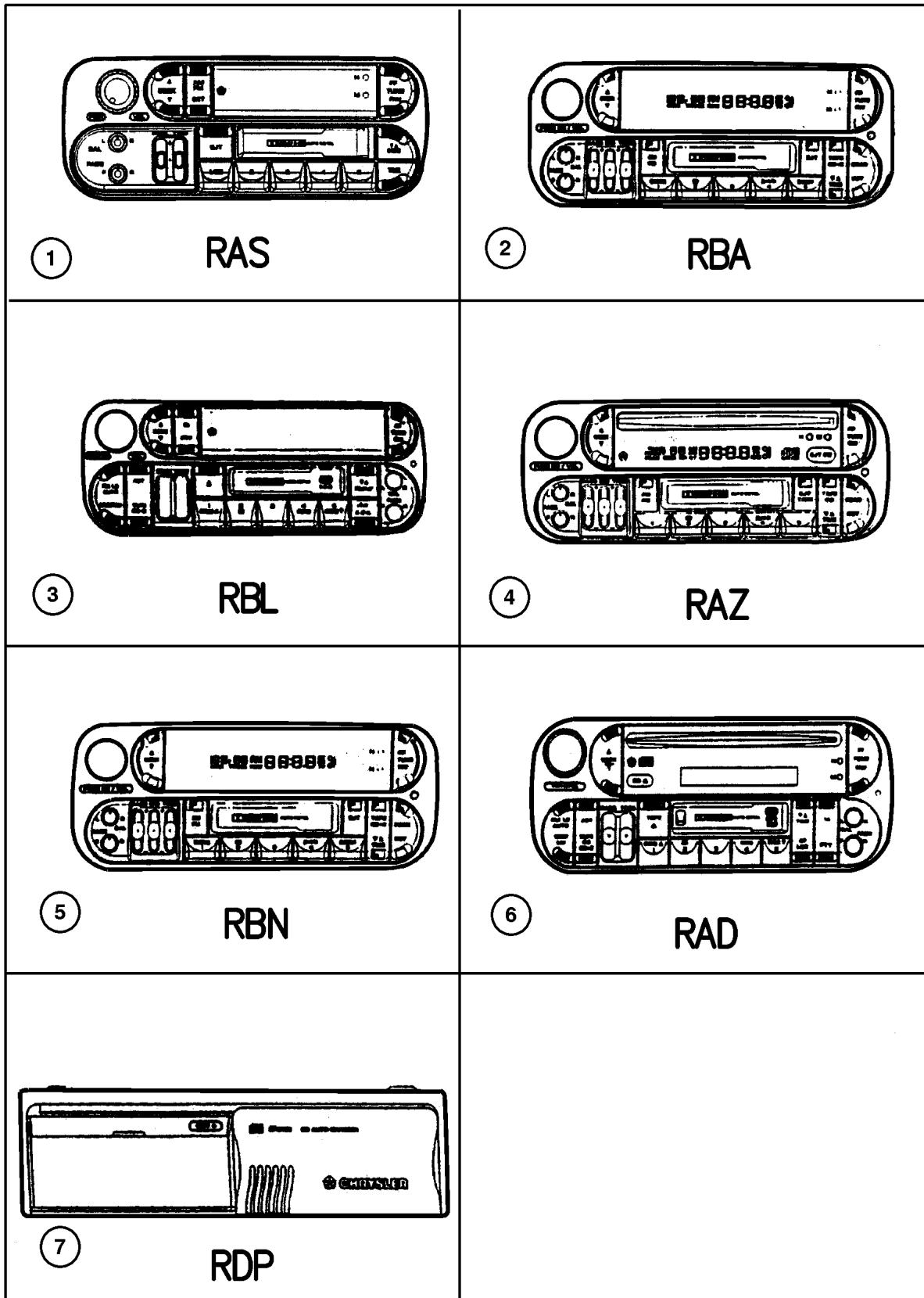
SERIES	LINE	BODY	ENGINE	TRANSMISSION
H=Laredo	J = 4WD	74 = 4 Door(105.9 WB)	ER0, ERH = 4.0L, Power Tech I-6	DGK = 4 Speed Autm, 42RE
P=Limited	T = 2WD		EV0, EVA = 4.7L, Power Tech V8	DGW = 4 Speed Automatic, -44RE
	U = 4WD (RHD)		EXA, EX0 = 3.1L, 5 Cyl Turbo Diesel	DG4 = Multi Speed Automatic, -45RFE
				DGO = All Automatic

AR = Use as required - = Non illustrated part # = New this model year

April 3, 2002

**Radios
Figure 08A-310**

ITEM	PART NUMBER	QTY	LINE	BODY	DESCRIPTION
					RAD=AM/FM Cassette w/CD (EUROPE) WD-Right Hand Drive---B=2 WD-Right Hand Drive
					RAS=AM/FM Cassette WD-Right Hand Drive---B=2 WD-Right Hand Drive
					RAZ=AM/FM w/CD & Cassette WD-Right Hand Drive---B=2 WD-Right Hand Drive
					RBA=AM/FM w/CD WD-Right Hand Drive---B=2 WD-Right Hand Drive
					RBL=AM/FM Cassette/CD Control (EUROPE) WD-Right Hand Drive---B=2 WD-Right Hand Drive
					RBN=AM/FM Cassette w/Control WD-Right Hand Drive---B=2 WD-Right Hand Drive
					RDP=Disc Changer WD-Right Hand Drive---B=2 WD-Right Hand Drive
1	56038 931AB	1	J, T	74	RADIO, AM/FM Cassette, (RAS)
2	#4858 516AD	1			RADIO, AM/FM/Cassette With CD Control, (RBA)
3	#4858 513AH	1			RADIO, AM/FM/Cassette With CD Control, (RBL)
4	4858 540AG	1	J, T	74	RADIO, AM/FM with CD and Cassette, (RAZ)
5	4858 584AG	1	J, T	74	RADIO, AM/FM Cassette with CD Control, (RBN)
6	#4858 543AB	1			RADIO, AM/FM/Cassette With CD, (RAD)
7					DISC, Compact, (NOT SERVICED)
-8	6100 047	4			NUT AND WASHER, Hex Nut-Coned Washer, M6 x 1.00
-9	0154 552	1			SCREW, Hex Head, .190-16x.625
-10	6035 081	1			NUT, .25-20
-11					STRAP, Radio Noise Suppression
	56038 499AB	1			4.0L Engine
	56038 402AB	1			
-12	6035 081	1			NUT, .25-20
-13					AMPLIFIER, Radio
	56038 407AD	1			(RCE) Infinity
	5604 2134	1			(RDL) EUROPE w/Intigrated Antenna

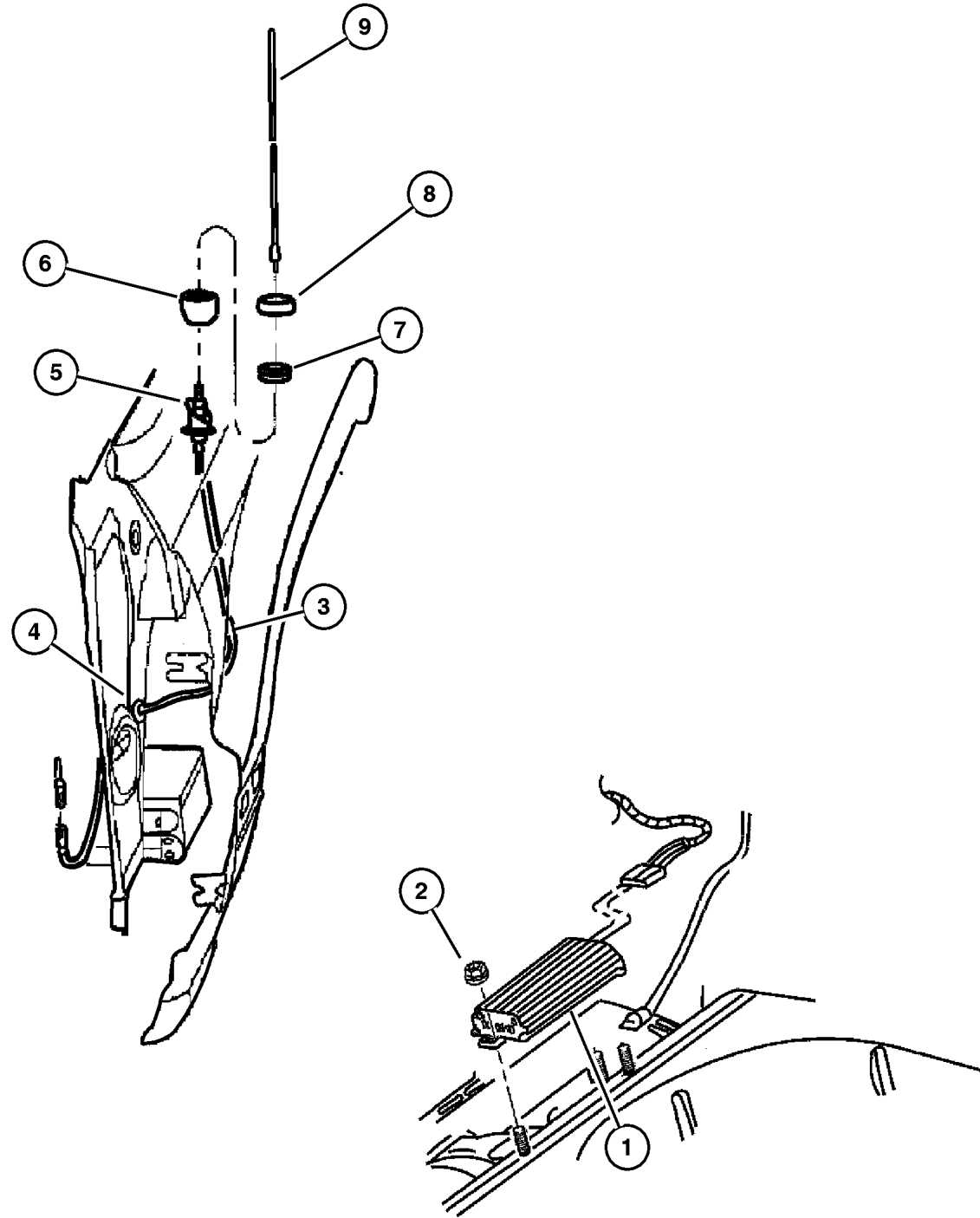


JEEP GRAND CHEROKEE (WJ)				
SERIES	LINE	BODY	ENGINE	TRANSMISSION
H=Laredo	J = 4WD	74 = 4 Door(105.9 WB)	ER0, ERH = 4.0L, Power Tech I-6	DGK = 4 Speed Autm, 42RE
P=Limited	T = 2WD		EV0, EVA = 4.7L, Power Tech V8	DGW = 4 Speed Automatic, -44RE
	U = 4WD (RHD)		EXA, EX0 = 3.1L, 5 Cyl Turbo Diesel	DG4 = Multi Speed Automatic, -45RFE
				DGO = All Automatic

AR = Use as required - = Non illustrated part # = New this model year

April 3, 2002

Antenna Figure 08A-320



ITEM	PART NUMBER	QTY	LINE	BODY	DESCRIPTION
Note: WD-Right Hand Drive---B=2 WD-Right Hand Drive					
RCE = Infinity Speaker System WD-Right Hand Drive---B=2 WD-Right Hand Drive					
RDL = Rear Window Integrated Antenna WD-Right Hand Drive---B=2 WD-Right Hand Drive					
1					AMPLIFIER, Radio
	56038 407AD	1			(RCE) Infinity
	5604 2134	1			(RDL) EUROPE w/Intigrated Antenna
2	6500 284	2			NUT, Hex, M6x1.00
3					CABLE, Antenna
	56038 513AF	1	J, T		w/Fixed Antenna
	56038 514AA	1			(RDL) EUROPE w/Intigrated Antenna
	56038 515AD	1	U		(RDL) EUROPE w/Intigrated Antenna
	56038 516AD	1	J, T		(RDL) EUROPE w/Intigrated Antenna
4	4373 728	1			PLUG
5	56038 412AB	1			BASE, Antenna
6	56009 375AB	1			ESCUTCHEON, Antenna
7	4685 301	1			CAP NUT, Antenna, Black
8	4685 498	1			SHROUD, Antenna Cap Nut
9	4685 574	1			MAST, Antenna, Black

JEEP GRAND CHEROKEE (WJ)

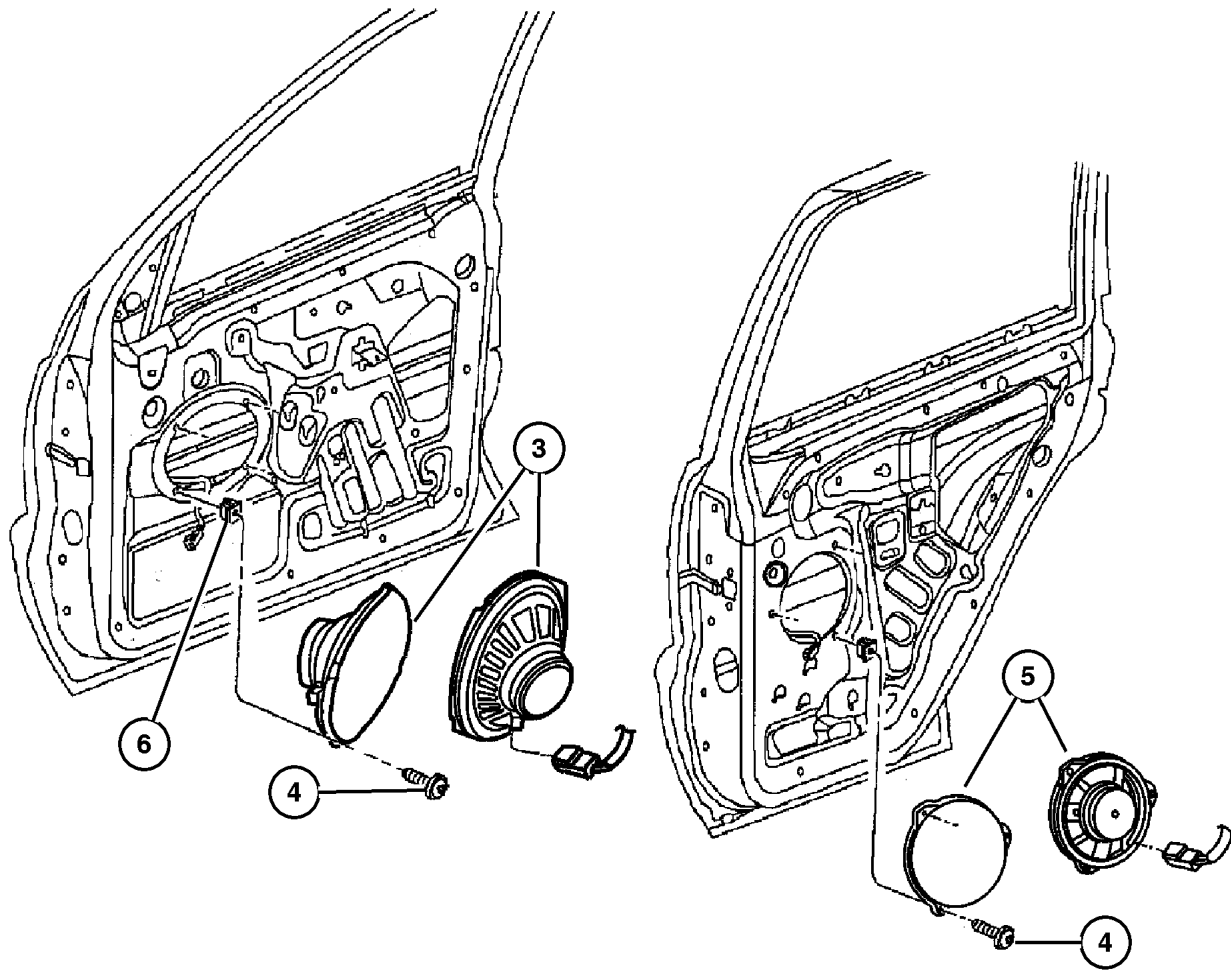
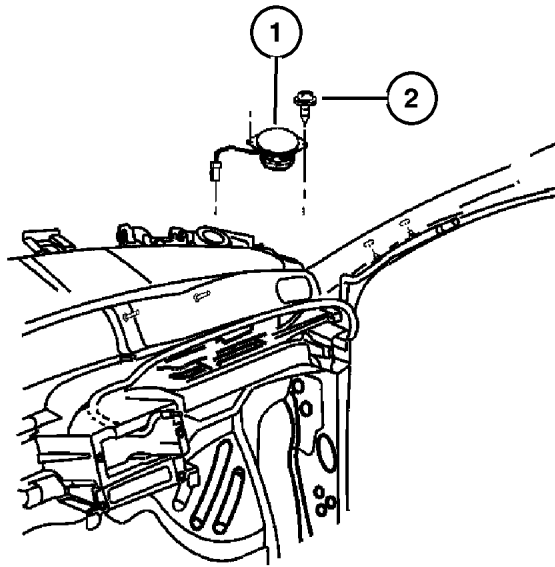
SERIES	LINE	BODY	ENGINE	TRANSMISSION
H=Laredo	J = 4WD	74 = 4 Door(105.9 WB)	ER0, ERH = 4.0L, Power Tech I-6	DGK = 4 Speed Autm, 42RE
P=Limited	T = 2WD		EVO, EVA = 4.7L, Power Tech V8	DGW = 4 Speed Automatic, -44RE
	U = 4WD (RHD)		EXA, EX0 = 3.1L, 5 Cyl Turbo Diesel	DG4 = Multi Speed Automatic, -45RFE
				DGO = All Automatic

AR = Use as required - = Non illustrated part # = New this model year

April 3, 2002

Speakers Figure 08A-325

ITEM	PART NUMBER	QTY	LINE	BODY	DESCRIPTION
1	56038 411AC	2			SPEAKER, Instrument Panel, (RCE) Infinity
2	6101 946	3			SCREW, Tapping
3	#56038 409AC	2			SPEAKER, 6"X9" (RCE) Infinity
	56042 131AB	2			(RCG) Standard
4					SCREW, (NOT SERVICED)
5	56038 408AB	2			SPEAKER, 6.5" (RCG) Standard
	56038 410AC	2			(RCE) Infinity
6	6036 098AA	8			NUT, Plastic Snap-in
-7	56038 612AA	2			SPEAKER, Tweeter, (RCG) Standard



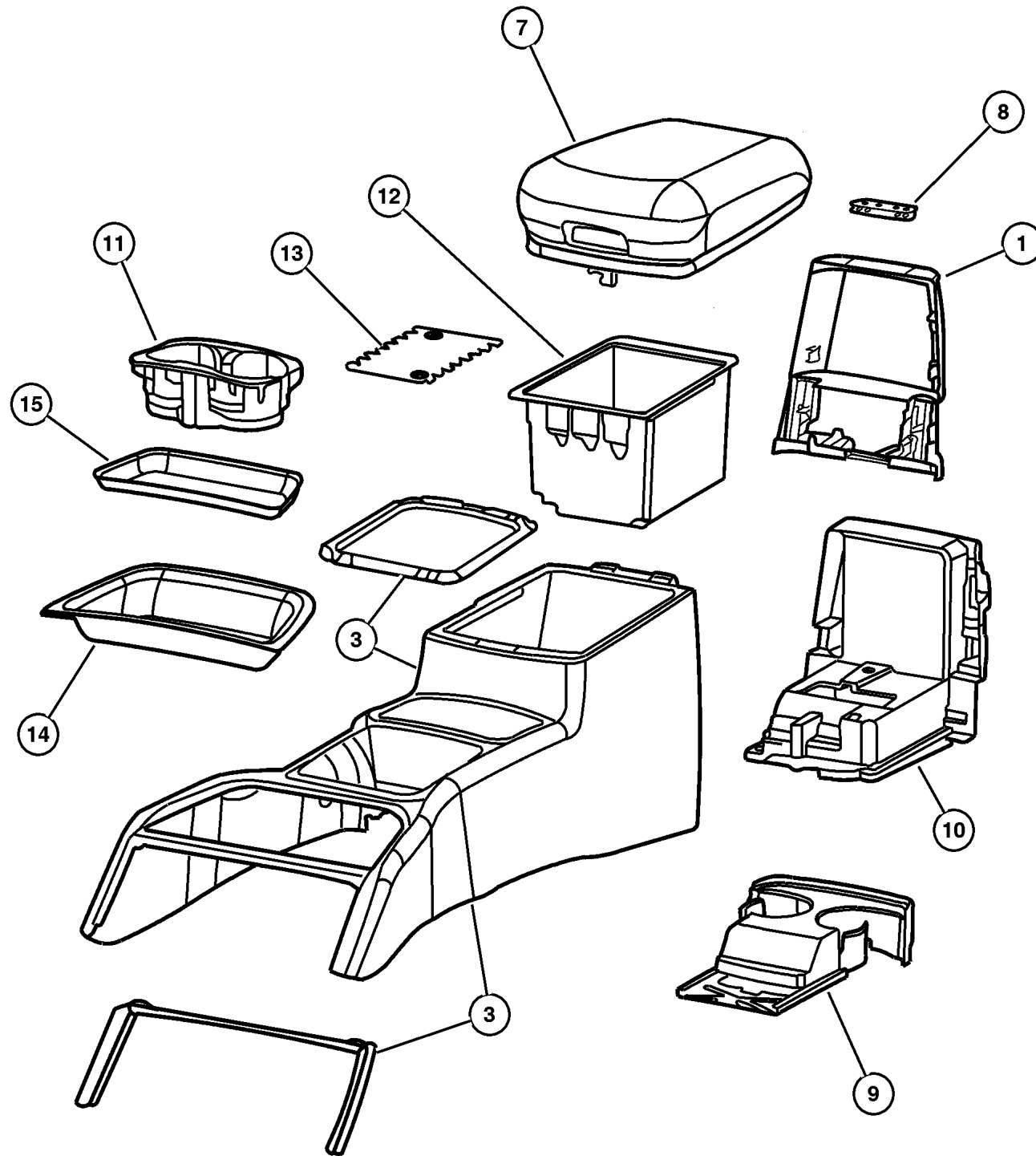
JEEP GRAND CHEROKEE (WJ)

SERIES	LINE	BODY	ENGINE	TRANSMISSION
H=Laredo	J = 4WD	74 = 4 Door(105.9 WB)	ER0, ERH = 4.0L, Power Tech I-6	DGK = 4 Speed Autm, 42RE
P=Limited	T = 2WD		EV0, EVA = 4.7L, Power Tech V8	DGW = 4 Speed Automatic, -44RE
	U = 4WD (RHD)		EXA, EX0 = 3.1L, 5 Cyl Turbo Diesel	DG4 = Multi Speed Automatic, -45RFE
				DGO = All Automatic

AR = Use as required - = Non illustrated part # = New this model year

April 3, 2002

**Floor Console
Figure 08A-410**



ITEM	PART NUMBER	QTY	LINE	BODY	DESCRIPTION
1					PANEL, Console
	QP97 1AZAA	1	U		[AZ]
	QP97 1K5AA	1	U		[K5]
	QP97 LAZAA	1	J, T		[AZ]
	QP97 RK5AA	1	J, T		[K5]
	QP97 WL5AA	1	J, T		[L5]
-2					LATCH, Console Lock
	5014 295AA	1	J, T		
		1	U		
3					CONSOLE, Base
	SH13 1AZAB	1	J, T		[AZ]
	SH13 1K5AB	1	J, T		[K5]
	SH13 1L5AB	1	J, T		[L5]
	SH29 1AZAA	1	U		[AZ]
	SH29 1K5AA	1	U		[K5]
-4					SCREW, Self Piercing, .164-15x.625
	6032 452	2	U		
		2	J, T		
-5					CLIP, .500x.417x.500
	6032 838	1	U		
		1	J, T		
-6					CLIP, .453Wx.528LGx.017THK
	6034 319	2	U		
		2	J, T		
7					LID, Floor Console Bin
	5FW58 1AZAB	1	U		[AZ]
		1	J, T		[AZ]
	5FW58 1K5AB	1	U		[K5]
		1	J, T		[K5]
	5FW58 1L5AB	1	J, T		[L5]
8					HINGE, Floor Console Lid
	55196 773AA	1	U		
		1	J, T		
9					CUPHOLDER, Floor Console
	5GL54 1AZAA	1	U		[AZ]
		1	J, T		[AZ]
	5GL54 1K5AA	1	U		[K5]
		1	J, T		[K5]
	5GL54 1L5AA	1	J, T		[L5]
10					PLATE, Floor Console
	55196 718AB	1	U		
		1	J, T		
11					CUPHOLDER, Floor Console

JEEP GRAND CHEROKEE (WJ)

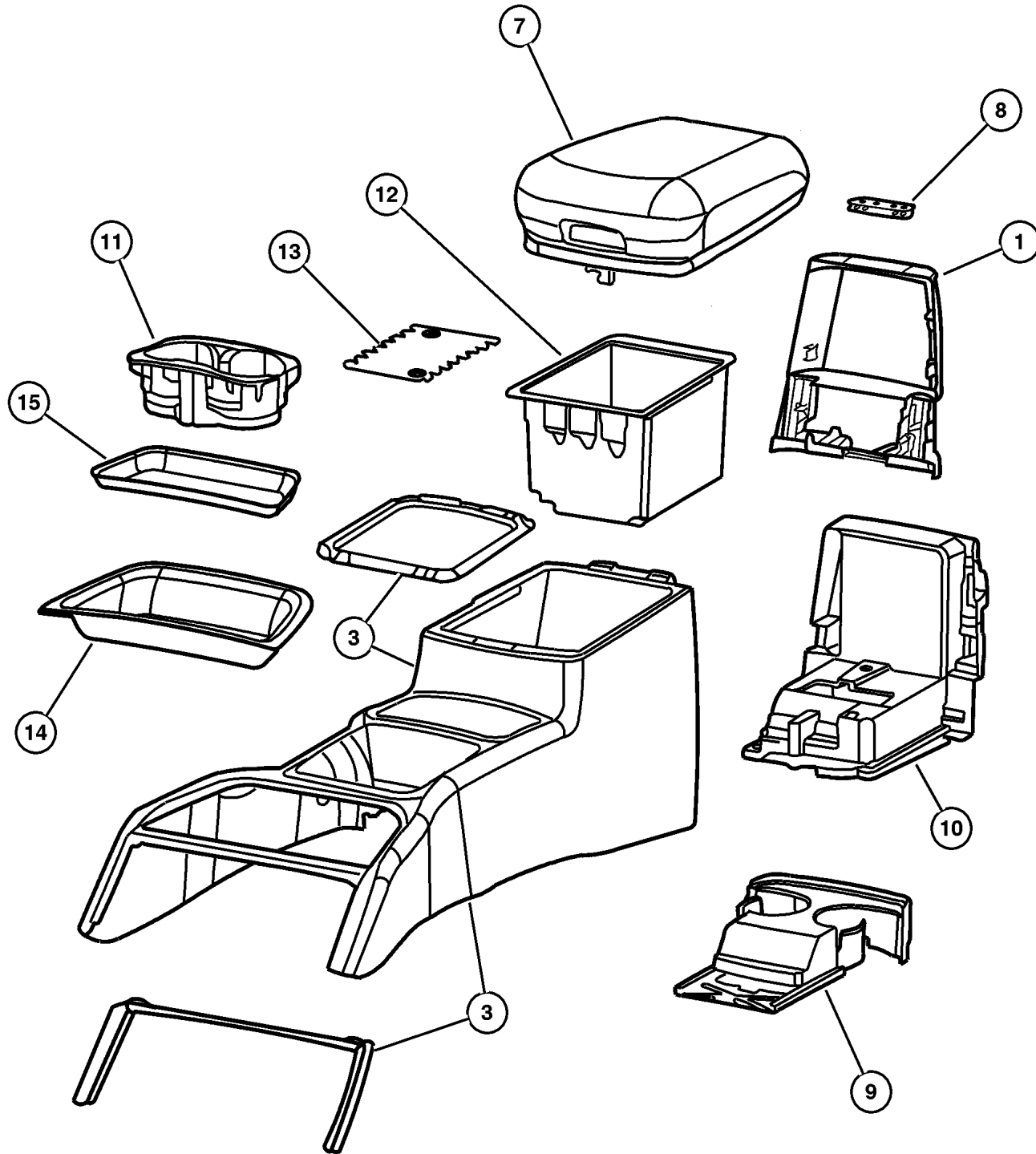
SERIES	LINE	BODY	ENGINE	TRANSMISSION
H=Laredo	J = 4WD	74 = 4 Door(105.9 WB)	ER0, ERH = 4.0L, Power Tech I-6	DGK = 4 Speed Autm, 42RE
P=Limited	T = 2WD		EVO, EVA = 4.7L, Power Tech V8	DGW = 4 Speed Automatic, -44RE
	U = 4WD (RHD)		EXA, EX0 = 3.1L, 5 Cyl Turbo Diesel	DG4 = Multi Speed Automatic, -45RFE
				DGO = All Automatic

AR = Use as required - = Non illustrated part # = New this model year

April 3, 2002

Floor Console
Figure 08A-410

ITEM	PART NUMBER	QTY	LINE	BODY	DESCRIPTION
	55196 713AA	1	J, T		
		1	U		
12	55196 664AB	1			BIN, Floor Console, with Mat
13	5519 6665	1			MAT, Storage Tray
14					BIN, Floor Console
	5519 6667	1	J, T		Front Floor Console
	5519 6668	1	U		Front Floor Console
15					MAT, Storage Tray
	5519 6669	1	J, T		Left Hand Drive
	5519 6670	1	U		Right Hand Drive
-16					SCREW, .164-18x.50, (NOT SERVICED)
-17					BUMPER, Rubber
	5066 456AA	2	U		
		2	J, T		



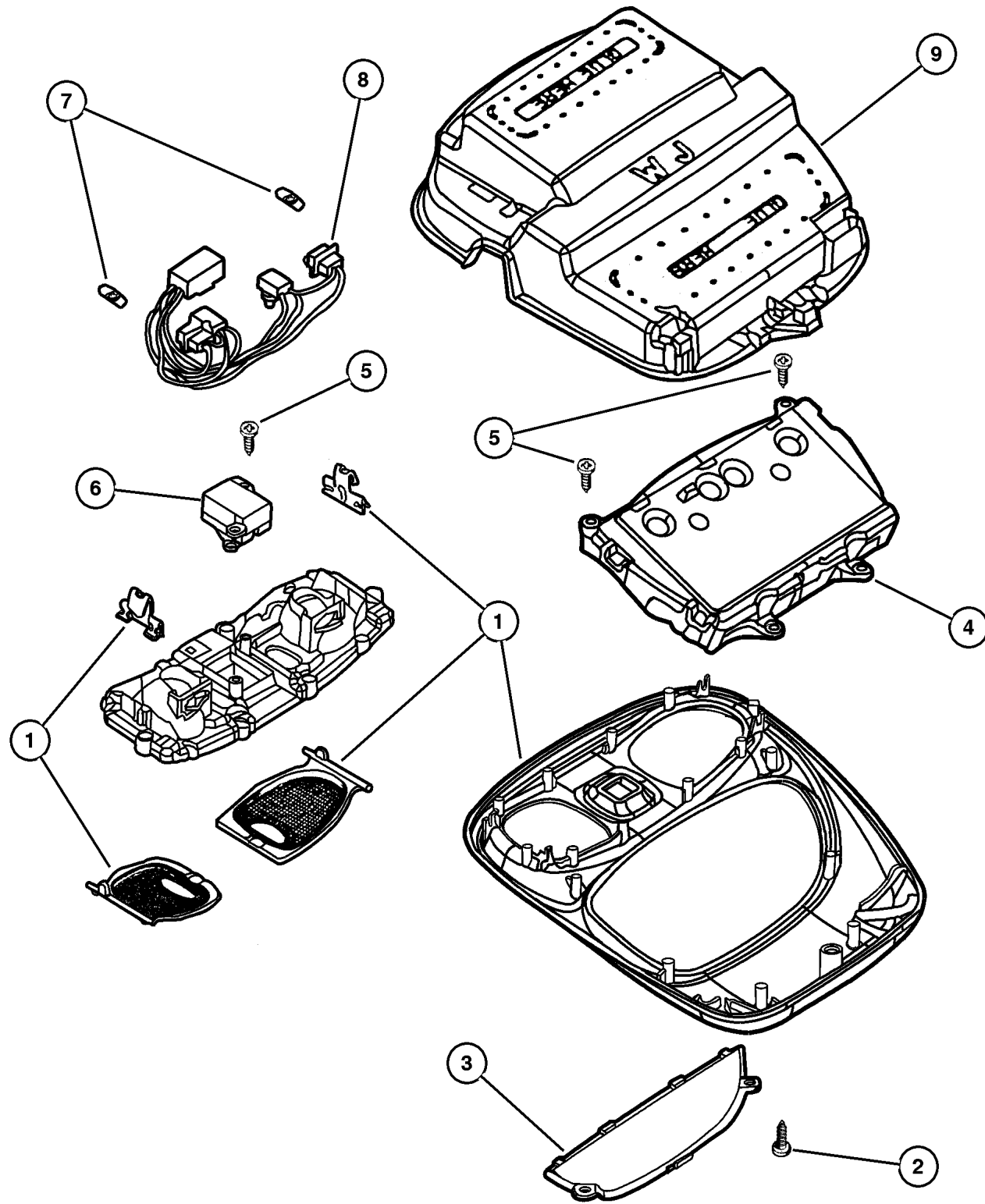
JEEP GRAND CHEROKEE (WJ)

SERIES	LINE	BODY	ENGINE	TRANSMISSION
H=Laredo	J = 4WD	74 = 4 Door(105.9 WB)	ER0, ERH = 4.0L, Power Tech I-6	DGK = 4 Speed Autm, 42RE
P=Limited	T = 2WD		EVO, EVA = 4.7L, Power Tech V8	DGW = 4 Speed Automatic, -44RE
	U = 4WD (RHD)		EXA, EX0 = 3.1L, 5 Cyl Turbo Diesel	DG4 = Multi Speed Automatic, -45RFE
				DGO = All Automatic

AR = Use as required - = Non illustrated part # = New this model year

April 3, 2002

Overhead Console
Figure 08A-420



ITEM	PART NUMBER	QTY	LINE	BODY	DESCRIPTION
1					CONSOLE, Overhead Mini, Less Electronics
	SF61 1K5AA	1	J, T		w/o Illuminated Visor & w/o Sunroof (Camel/Tan)
	SF61 1L2AA	1	J, T		w/o Illuminated Visor & w/o Sunroof (Beige)
	SF62 1K5AA	1	J, T		w/Illuminated Visor, Universal Garage Door Opener & w/Sunroof (Camel/Tan)
	SF62 1L2AA	1	J, T		w/Illuminated Visor, Universal Garage Door Opener & w/Sunroof (Beige)
		1	U		w/Illuminated Visor & w/Sunroof (Beige)
	SF62 1K5AA	1	U		w/Illuminated Visor & w/Sunroof (Camel/Tan)
	SF61 1L2AA	1	U		w/Illuminated Visor & w/o Sunroof (Beige)
	SF61 1K5AA	1	U		w/Illuminated Visor & w/o Sunroof (Camel/Tan)
2					SCREW, .164-18x.500, (NOT SERVICED)
3					LENS, Message Center
	5012 882AA	1	J, T		
		1	U		
4					MODULE, Compass Temperature
	56042 271AD	1	J, T		w/Illuminated Visor, & w/Universal Garage Door Opener
	56042 273AC	1	J, T		w/Illuminated Visor, & w/o Universal Garage Door Opener
		1	U		
5					SCREW, (NOT SERVICED)
6					SWITCH, 1 Gang
	5604 2064	1	J, T		
		1	U		
7					BULB, 192
	L000 0192	2	J, T		
		1	U		
8					WIRING, Overhead Lighting
	55196 754AA	1	J, T		
		1	U		
9					RETAINER, Headliner
	55196 782AB	1	J, T		
		1	U		
-10	4437 661	4	J, T		LAMP, Message Center

JEEP GRAND CHEROKEE (WJ)

SERIES	LINE	BODY	ENGINE	TRANSMISSION
H=Laredo	J = 4WD	74 = 4 Door(105.9 WB)	ER0, ERH = 4.0L, Power Tech I-6	DGK = 4 Speed Autm, 42RE
P=Limited	T = 2WD		EVO, EVA = 4.7L, Power Tech V8	DGW = 4 Speed Automatic, -44RE
	U = 4WD (RHD)		EXA, EX0 = 3.1L, 5 Cyl Turbo Diesel	DG4 = Multi Speed Automatic, -45RFE
				DGO = All Automatic

AR = Use as required - = Non illustrated part # = New this model year

April 3, 2002

Group – 009

Engine Mounting

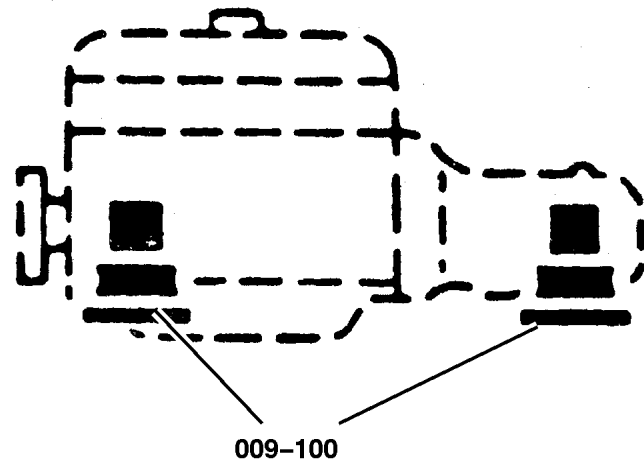
GROUP 9 - Engine Mounting

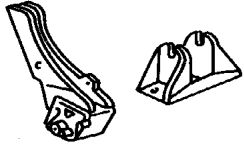
Illustration Title

Group-Fig. No.

Engine Mounting

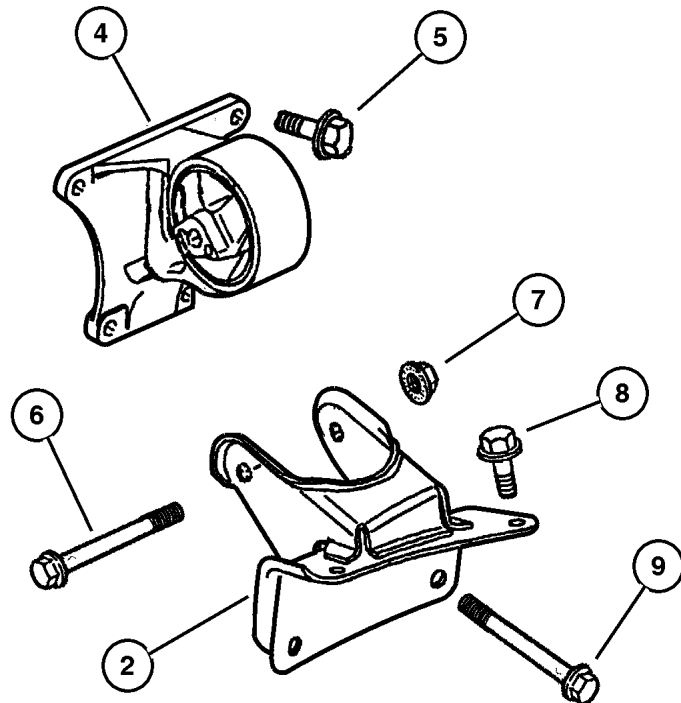
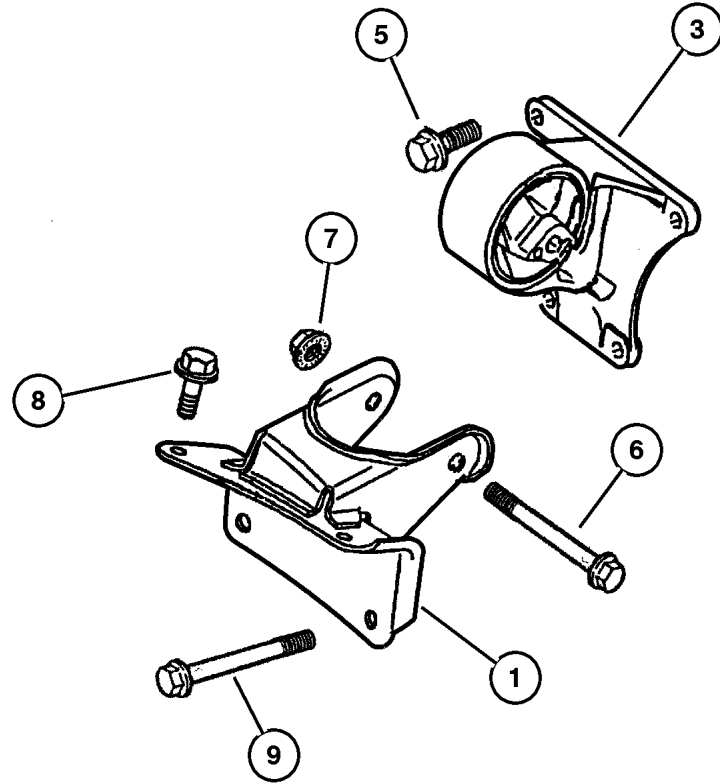
Engine Mounting, Front 3.1L (EXA) Diesel Engine	Fig. 009-110
Engine Mounting, Rear 3.1L (EXA) Diesel Engine	Fig. 009-120
Engine Mounting, Front 4.0L (ERH) Engine	Fig. 009-130
Engine Mounting, Rear 4.0L (ERH) Engine	Fig. 009-140
Engine Mounting, Front 4.7L (EVA) Engine	Fig. 009-150
Engine Mounting, Rear 4.7L (EVA) Engine	Fig. 009-160



<p>009-100 Engine Mounting</p> 			
---	--	--	--

**Engine Mounting, Front 3.1L (EXA) Diesel Engine
Figure 009-110**

ITEM	PART NUMBER	QTY	LINE	ENGINE	TRANS	DESCRIPTION
NOTE: EX0=All 3.1L Engines WD-Right Hand Drive---B=2 WD-Right Hand Drive						
1	5205 9052	1		EX0		BRACKET, Sill, Right
2	5205 9053	1		EX0		BRACKET, Sill, Left
3	5205 9050	1		EX0		INSULATOR, Engine Mount, Right
4	5205 9051	1		EX0		INSULATOR, Engine Mount, Left
5	6503 699	8		EV0, EX0		SCREW AND WASHER, Hex Head, M10x1.5x28
6	3420 2606	2				BOLT, Hex Head
7	6502 697	2				NUT, Hex Flange Lock, M12x1.75
8	6503 119	4				SCREW AND WASHER, Hex Head, M10x1.5x40
9	6506 000AA	4				SCREW AND WASHER



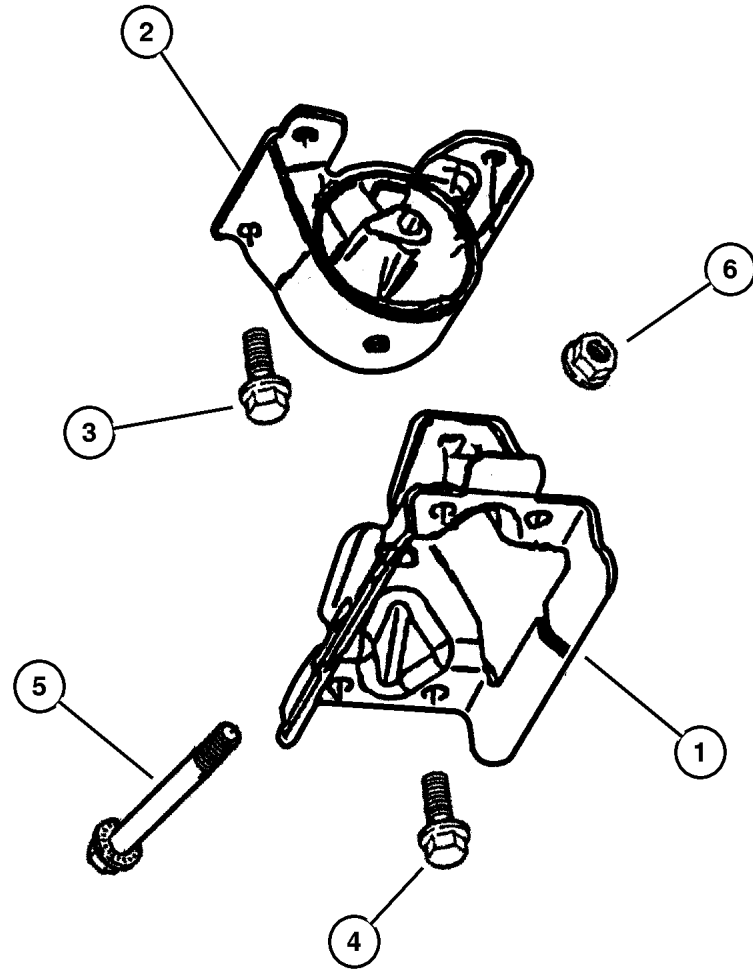
JEEP GRAND CHEROKEE (WJ)				
SERIES	LINE	BODY	ENGINE	TRANSMISSION
H=Laredo	J = 4WD	74 = 4 Door(105.9 WB)	ER0, ERH = 4.0L, Power Tech I-6	DGK = 4 Speed Autm, 42RE
P=Limited	T = 2WD		EV0, EVA = 4.7L, Power Tech V8	DGW = 4 Speed Automatic, -44RE
	U = 4WD (RHD)		EXA, EX0 = 3.1L, 5 Cyl Turbo Diesel	DG4 = Multi Speed Automatic, -45RFE
				DGO = All Automatic

AR = Use as required - = Non illustrated part # = New this model year

April 3, 2002

**Engine Mounting, Rear 3.1L (EXA) Diesel Engine
Figure 009-120**

ITEM	PART NUMBER	QTY	LINE	ENGINE	TRANS	DESCRIPTION
Note: WD-Right Hand Drive---B=2 WD-Right Hand Drive						
DGK = 4 Speed Automatic Transmission 42RE WD-Right Hand Drive---B=2 WD-Right Hand Drive						
DGW = 4 Speed Automatic Transmission 44RE WD-Right Hand Drive---B=2 WD-Right Hand Drive						
EM0 = All 5.9L 8 Cyl Gas Engines WD-Right Hand Drive---B=2 WD-Right Hand Drive						
ER0 = All 4.0L 6 Cyl Gas Engines WD-Right Hand Drive---B=2 WD-Right Hand Drive						
EV0 = All 4.7L Gas Engines WD-Right Hand Drive---B=2 WD-Right Hand Drive						
EX0 = All Turbo Diesel Engines WD-Right Hand Drive---B=2 WD-Right Hand Drive						
1	53054 630AB	1	J, U	EX0	DGW	BRACKET, Transmission Mount
2	53054 631AB	1	J, U	EX0	DGW	BRACKET, Transmission Mount
3	6033 358	4		EM0, ER0,	EX0 DGK	SCREW AND WASHER, Hex Head Locking, .437-14x1.25
4	6506 000AA	4				SCREW AND WASHER
5	6504 681	1		EV0		BOLT
6	6502 697	1				NUT, Hex Flange Lock, M12x1.75



JEEP GRAND CHEROKEE (WJ)

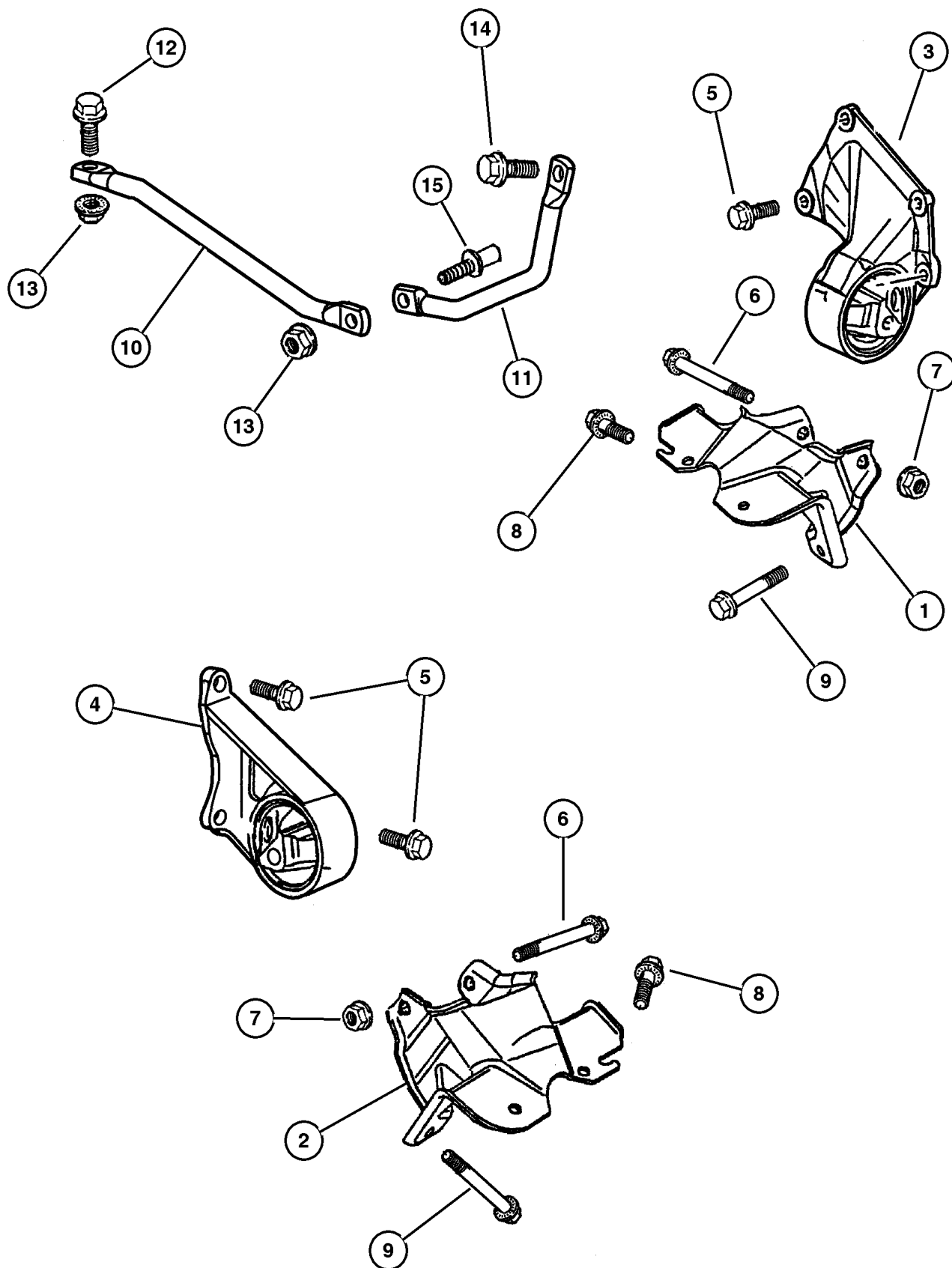
SERIES	LINE	BODY	ENGINE	TRANSMISSION
H=Laredo	J = 4WD	74 = 4 Door(105.9 WB)	ER0, ERH = 4.0L, Power Tech I-6	DGK = 4 Speed Autm, 42RE
P=Limited	T = 2WD		EV0, EVA = 4.7L, Power Tech V8	DGW = 4 Speed Automatic, -44RE
	U = 4WD (RHD)		EXA, EX0 = 3.1L, 5 Cyl Turbo Diesel	DG4 = Multi Speed Automatic, -45RFE
				DGO = All Automatic

AR = Use as required - = Non illustrated part # = New this model year

April 3, 2002

Engine Mounting, Front 4.0L (ERH) Engine Figure 009-130

ITEM	PART NUMBER	QTY	LINE	ENGINE	TRANS	DESCRIPTION
NOTE: ER0=All 4.0L Engines DG0=All Automatic Transmissions WD-Right Hand Drive---B=2 WD-Right Hand Drive						
1	52058 930AB	1		EM0, ER0,	EVO	BRACKET, Engine Mount, Right
2	#52058 931AC	1		ER0, EVO		BRACKET, Engine Mount, Left
3	5205 8928	1		ER0		INSULATOR, Engine Mount, Right
4	5205 8929	1		ER0		INSULATOR, Engine Mount, Left
5	6503 699	7		ER0		SCREW AND WASHER, Hex Head, M10x1.5x28
6	3420 2606	2				BOLT, Hex Head
7	6502 697	2				NUT, Hex Flange Lock, M12x1.75
8	6503 119	4				SCREW AND WASHER, Hex Head, M10x1.5x40
9	6506 000AA	4				SCREW AND WASHER
10	5210 4202	1	J, U	ER0	DG0	BRACE, Bending Transmission, Bottom
11	5210 4204	1	J, U	ER0	DG0	BRACE, Bending Transmission
12	6022 266	1	J, U	ER0	DG0	SCREW, Hex Head, .375-16x1.5
13	6502 697	2				NUT, Hex Flange Lock, M12x1.75
14	6025 063	1	J, U	ER0	DG0	SCREW AND WASHER, .375-16x1.125
15	52104 250AA	1	J, U	ER0	DG0	BRACE, Bell Housing



JEEP GRAND CHEROKEE (WJ)

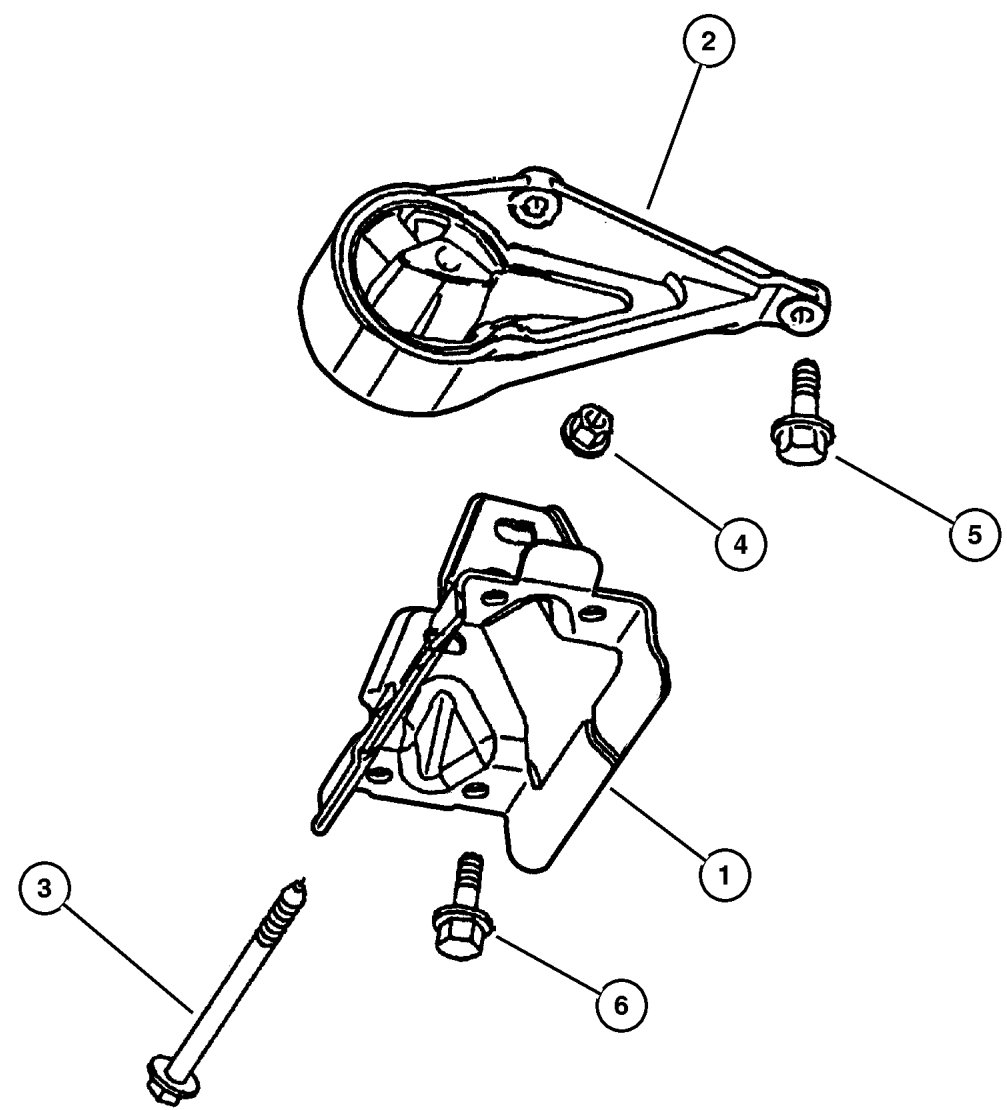
SERIES	LINE	BODY	ENGINE	TRANSMISSION
H=Laredo	J = 4WD	74 = 4 Door(105.9 WB)	ER0, ERH = 4.0L, Power Tech I-6	DGK = 4 Speed Autm, 42RE
P=Limited	T = 2WD		EVO, EVA = 4.7L, Power Tech V8	DGW = 4 Speed Automatic, -44RE
	U = 4WD (RHD)		EXA, EX0 = 3.1L, 5 Cyl Turbo Diesel	DG4 = Multi Speed Automatic, -45RFE
				DGO = All Automatic

AR = Use as required - = Non illustrated part # = New this model year

April 3, 2002

**Engine Mounting, Rear 4.0L (ERH) Engine
Figure 009-140**

ITEM	PART NUMBER	QTY	LINE	ENGINE	TRANS	DESCRIPTION
NOTE: ER0=All 4.0L Engines DGK=Automatic, 4 Speed WD-Right Hand Drive---B=2 WD-Right Hand Drive						
1	5205 8988	1	T	ER0	DGK	BRACKET, Insulator
		1	J, U	ER0	DGK	
2	5205 8995	1	T	ER0	DGK	MOUNT, Transmission
	#52059 397AA	1	J, U	ER0	DGK	
3	6504 681	1		EM0, ER0,	EVO	BOLT
4	6502 697	1				NUT, Hex Flange Lock, M12x1.75
5	6033 358	4		EM0, ER0,	EX0 DGK	SCREW AND WASHER, Hex Head Locking, .437-14x1.25
6	6506 000AA	4				SCREW AND WASHER

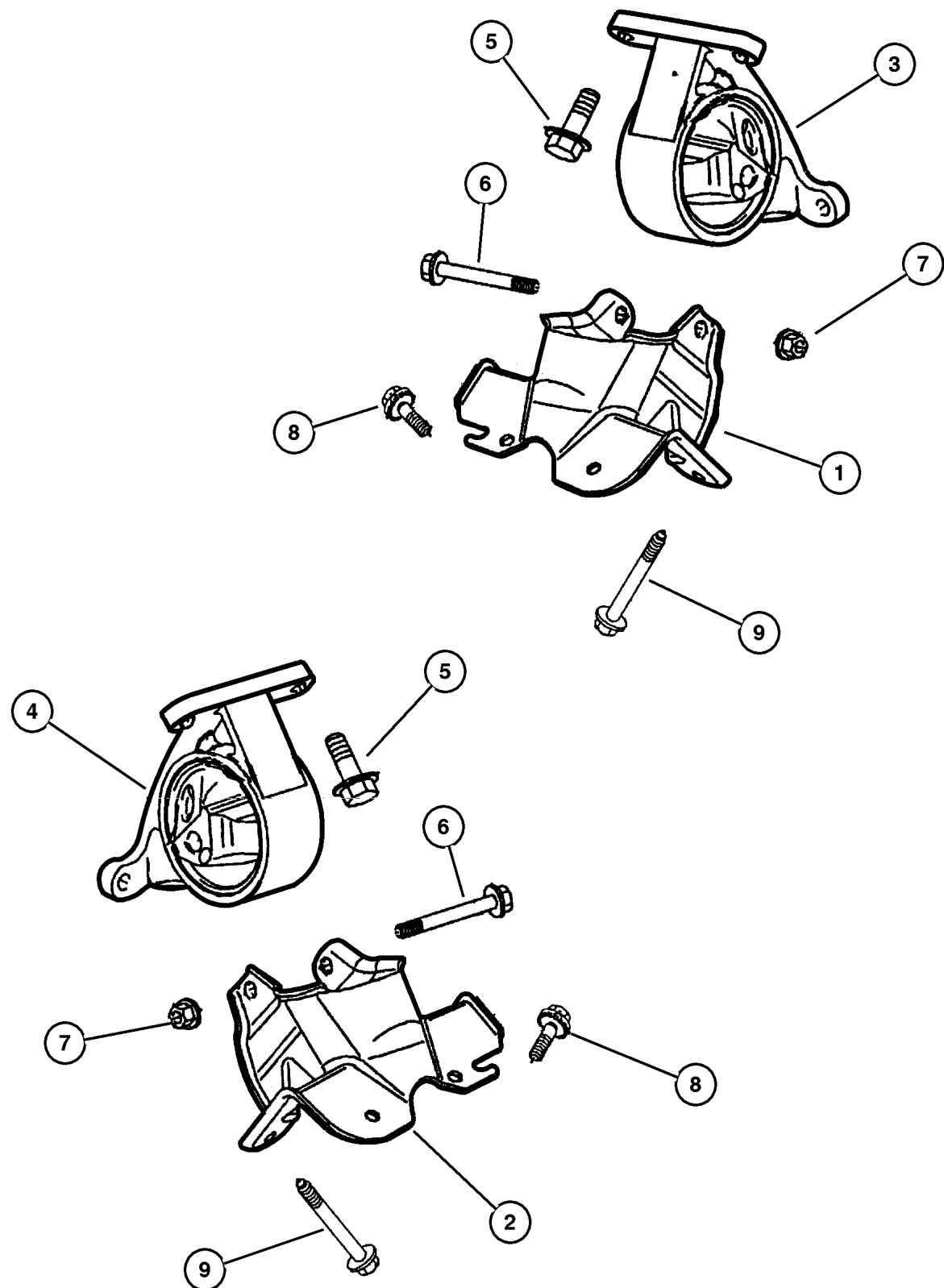


JEEP GRAND CHEROKEE (WJ)				
SERIES	LINE	BODY	ENGINE	TRANSMISSION
H=Laredo	J = 4WD	74 = 4 Door(105.9 WB)	ER0, ERH = 4.0L, Power Tech I-6	DGK = 4 Speed Autm, 42RE
P=Limited	T = 2WD		EVO, EVA = 4.7L, Power Tech V8	DGW = 4 Speed Automatic, -44RE
	U = 4WD (RHD)		EXA, EX0 = 3.1L, 5 Cyl Turbo Diesel	DG4 = Multi Speed Automatic, -45RFE
				DGO = All Automatic

AR = Use as required - = Non illustrated part # = New this model year

April 3, 2002

**Engine Mounting, Front 4.7L (EVA) Engine
Figure 009-150**



ITEM	PART NUMBER	QTY	LINE	ENGINE	TRANS	DESCRIPTION
Note: WD-Right Hand Drive---B=2 WD-Right Hand Drive						
DG4 = Multi-Speed Automatic Transmission 45RFE WD-Right Hand Drive---B=2 WD-Right Hand Drive						
EM0 = All 5.9L 8 Cyl Gas Engines WD-Right Hand Drive---B=2 WD-Right Hand Drive						
ER0 = All 4.0L 6 Cyl Gas Engines WD-Right Hand Drive---B=2 WD-Right Hand Drive						
EV0 = All 4.7L Gas Engines WD-Right Hand Drive---B=2 WD-Right Hand Drive						
1	52058 930AB	1		EM0, ER0, EV0		BRACKET, Engine Mount, Right
2	#52058 931AC	1		ER0, EV0		BRACKET, Engine Mount, Left
3	5205 8936	1	J, T	EV0		INSULATOR, Engine Mount Right
	52060 018AA	1	U	EV0		INSULATOR, Engine Mount Right
4	5205 8937	1	J, T	EV0		INSULATOR, Engine Mount Left
	52060 019AA	1	U	EV0		INSULATOR, Engine Mount Left
5	6503 699	4	J, U	EV0	DG4	SCREW AND WASHER, Hex Head, M10x1.5x28
6	3420 2606	2				BOLT, Hex Head
7	6502 697	2				NUT, Hex Flange Lock, M12x1.75
8	6503 119	4				SCREW AND WASHER, Hex Head, M10x1.5x40
9	6506 000AA	4				SCREW AND WASHER

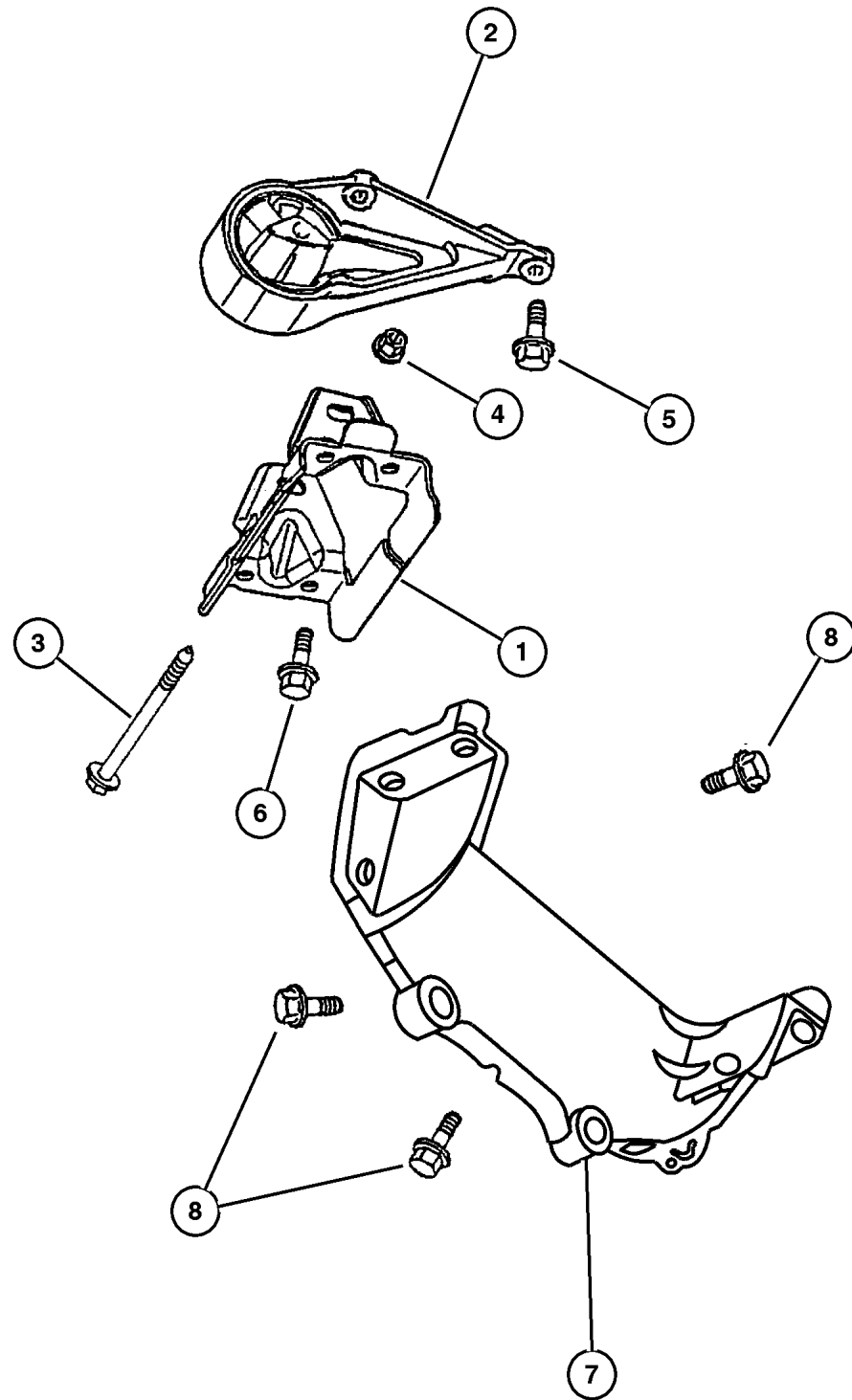
JEEP GRAND CHEROKEE (WJ)

SERIES	LINE	BODY	ENGINE	TRANSMISSION
H=Laredo	J = 4WD	74 = 4 Door(105.9 WB)	ER0, ERH = 4.0L, Power Tech I-6	DGK = 4 Speed Autm, 42RE
P=Limited	T = 2WD		EV0, EVA = 4.7L, Power Tech V8	DGW = 4 Speed Automatic, -44RE
	U = 4WD (RHD)		EXA, EX0 = 3.1L, 5 Cyl Turbo Diesel	DG4 = Multi Speed Automatic, -45RFE
				DGO = All Automatic

AR = Use as required - = Non illustrated part # = New this model year

April 3, 2002

**Engine Mounting, Rear 4.7L (EVA) Engine
Figure 009-160**



ITEM	PART NUMBER	QTY	LINE	ENGINE	TRANS	DESCRIPTION
NOTE: EV0=All 4.7L Engines DG0=All Automatic Transmissions DG4=Automatic, Multi-Speed WD-Right Hand Drive---B=2 WD-Right Hand Drive						
1	5205 8988	1	J, U	EV0	DG4	BRACKET, Insulator
2	5205 8996	1	J, U	EV0	DG4	MOUNT, Transmission
3	6504 681	1		EV0		BOLT
4	6502 697	1				NUT, Hex Flange Lock, M12x1.75
5	6503 699	4	J, U	EV0	DG4	SCREW AND WASHER, Hex Head, M10x1.5x28
6	6506 000AA	4				SCREW AND WASHER
7	5302 0885	1		EV0	DG0	COVER, Bedplate
8	6101 985	8		EV0		SCREW AND WASHER, M10x1.50x45.00

JEEP GRAND CHEROKEE (WJ)

SERIES	LINE	BODY	ENGINE	TRANSMISSION
H=Laredo	J = 4WD	74 = 4 Door(105.9 WB)	ER0, ERH = 4.0L, Power Tech I-6	DGK = 4 Speed Autm, 42RE
P=Limited	T = 2WD		EV0, EVA = 4.7L, Power Tech V8	DGW = 4 Speed Automatic, -44RE
	U = 4WD (RHD)		EXA, EX0 = 3.1L, 5 Cyl Turbo Diesel	DG4 = Multi Speed Automatic, -45RFE
				DGO = All Automatic

AR = Use as required - = Non illustrated part # = New this model year

April 3, 2002

Group – 4.0L

Engine 4.0L Six Cylinder

GROUP 4.0L - Engine 4.0L Six Cylinder

Illustration Title

Group-Fig. No.

Cylinder Head

Cylinder Head 4.0L (ERH) Engine Fig. 4.0L-210

Cylinder Block

Cylinder Block 4.0L (ERH) Engine Fig. 4.0L-310

Crankshaft, Piston and Torque Converter

Crankshaft, Piston and Torque Converter 4.0L (ERH) Engine Fig. 4.0L-410

Camshafts & Valves

Camshaft and Valves 4.0L (ERH) Engine Fig. 4.0L-510

Timing Belt and Cover

Timing Belt and Cover 4.0L (ERH) Engine Fig. 4.0L-610

Engine Oiling

Engine Oiling 4.0L (ERH) Engine Fig. 4.0L-710

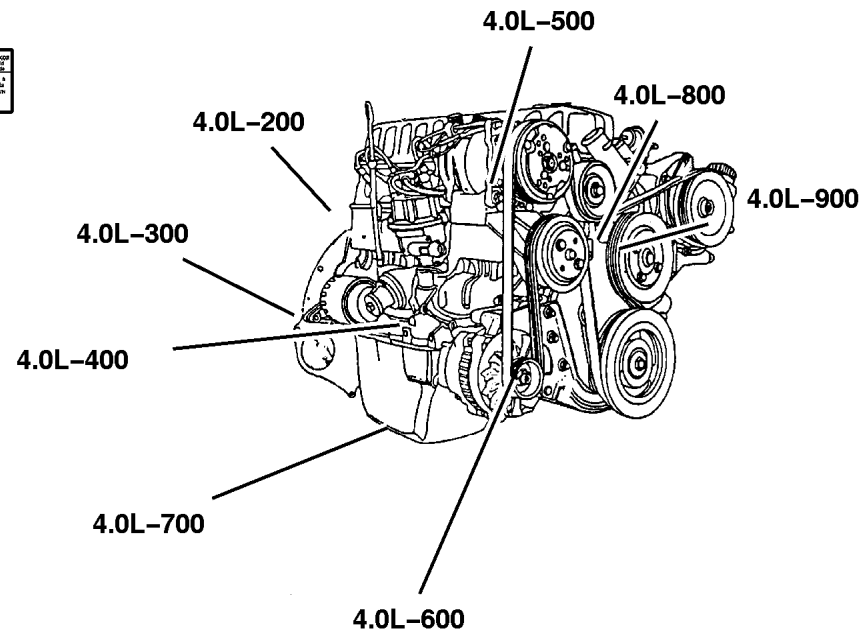
Manifolds

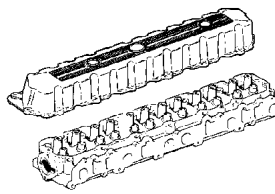
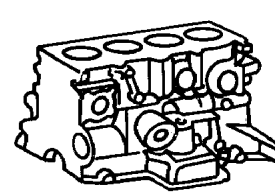
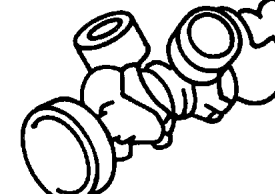
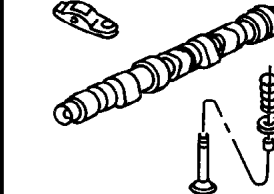
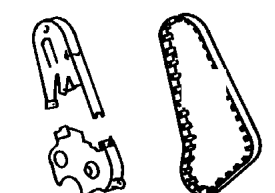
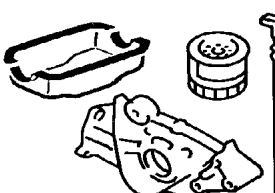
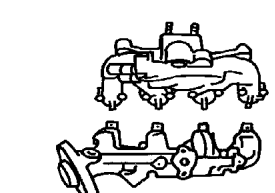
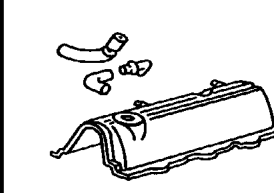
Manifold, Intake and Exhaust 4.0L (ERH) Engine Fig. 4.0L-810

Crankcase Ventilation

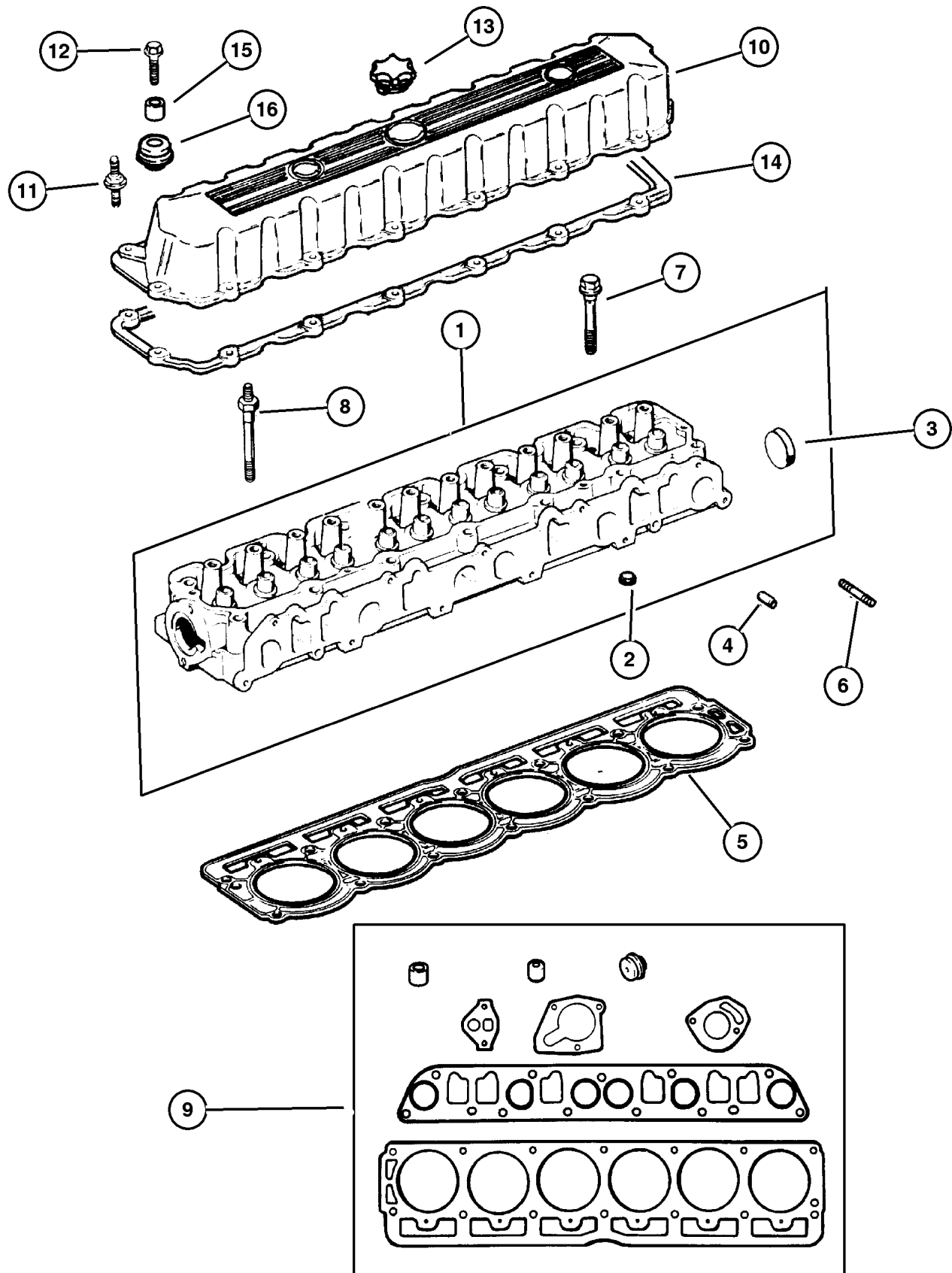
Crankcase Ventilation 4.0L (ERH) Engine Fig. 4.0L-910

Part No.	Part Name	QTY	Notes



4.0L-200 Cylinder Head 	4.0L-300 Cylinder Block 	4.0L-400 Crankshaft, Piston and Torque Converter 	4.0L-500 Camshafts & Valves 
4.0L-600 Timing Belt and Cover 	4.0L-700 Engine Oiling 	4.0L-800 Manifolds 	4.0L-900 Crankcase Ventilation 

**Cylinder Head 4.0L (ERH) Engine
Figure 4.0L-210**



ITEM	PART NUMBER	QTY	LINE	ENGINE	TRANS	DESCRIPTION
NOTE: ER0=All 4.0L Engines WD-Right Hand Drive---B=2 WD-Right Hand Drive						
1	5301 0334	1		ER0		HEAD, Cylinder
2	J400 7434	4		ER0		PLUG, Cylinder Block Oil Hole
3	J310 5394	1		ER0		PLUG, Cylinder Block Oil Hole
4	J317 2318	2		ER0		DOWEL, Cylinder Head To Intake
5	53020 754AB	1		ER0		GASKET, Cylinder Head
6	6036 193AA	2		ER0		STUD, .375-16/.375-24x1.75
7	6035 514	5		ER0		BOLT, Cylinder Head
	6035 515	2		ER0		
8	6035 516	6		ER0		STUD, Double Ended, .50-13/.437-14x6.00
9	5012 365AA	1		ER0		GASKET PACKAGE, Engine Upper
10	5302 0323	1		ER0		COVER, Cylinder Head
11	6035 968AA	7		ER0		STUD, .250-20x2.00
12	6035 566	8		ER0		BOLT, Hex Flange Head, .250-20x1.00
13	4777 536	1		ER0		CAP, Oil Filler
14	53020 758AC	1		ER0		GASKET, Valve Cover
15	53020 598AB	15		ER0		SLEEVE, Torque Limiter
16	5301 0424	15		ER0		GROMMET, Insulator

JEEP GRAND CHEROKEE (WJ)

SERIES	LINE	BODY	ENGINE	TRANSMISSION
H=Laredo	J = 4WD	74 = 4 Door(105.9 WB)	ER0, ERH = 4.0L, Power Tech I-6	DGK = 4 Speed Autm, 42RE
P=Limited	T = 2WD		EVO, EVA = 4.7L, Power Tech V8	DGW = 4 Speed Automatic, -44RE
	U = 4WD (RHD)		EXA, EX0 = 3.1L, 5 Cyl Turbo Diesel	DG4 = Multi Speed Automatic, -45RFE
				DGO = All Automatic

AR = Use as required - = Non illustrated part # = New this model year

April 3, 2002

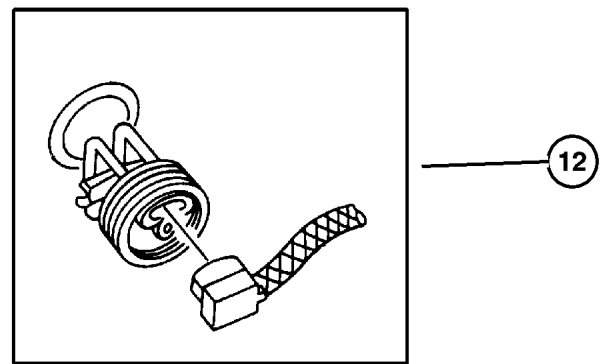
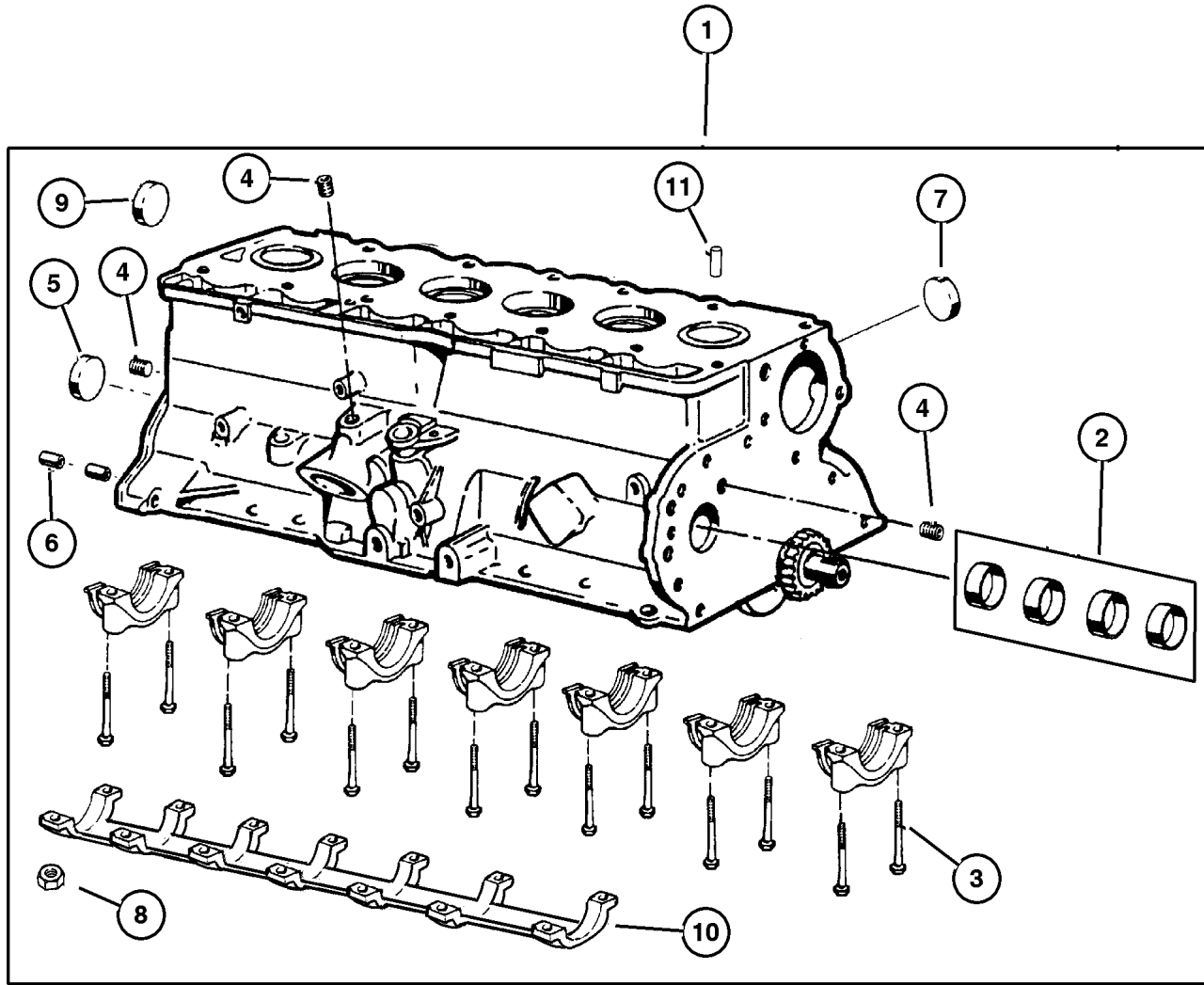
**Cylinder Block 4.0L (ERH) Engine
Figure 4.0L-310**

ITEM	PART NUMBER	QTY	LINE	ENGINE	TRANS	DESCRIPTION
------	-------------	-----	------	--------	-------	-------------

GASKET PACKAGE, Engine Lower - 05017432AA WD-Right Hand Drive---B=2 WD-Right Hand Drive

NOTE: ER0=All 4.0L Engines WD-Right Hand Drive---B=2 WD-Right Hand Drive

1	5013 161AA	1		ER0		BLOCK, Short
2	4636 985AB	1		ER0		BEARING PACKAGE, Camshaft, Standard Size
3	6035 207	14		ER0		STUD, .500-13/.375-16x3.97
4	6034 166	3		ER0		PLUG, Cylinder Block Oil Hole
5	J317 2313	1		ER0		PLUG, Camshaft
6	J400 5148	2		ER0		DOWEL, Transmission
7	J310 5394	6		ER0		PLUG, Cylinder Block Oil Hole
8	0152 474	14		ER0		NUT, Hex Flange Lock, .375-16
9	5302 0465	1		ER0		PLUG, Cylinder Block
10	5302 0566	1		ER0		BRACE, Main Bearing Cap
11	0141 215	2		ER0		DOWEL, .312 x .500
12	8220 1506	1		ER0		HEATER PACKAGE, Engine Block



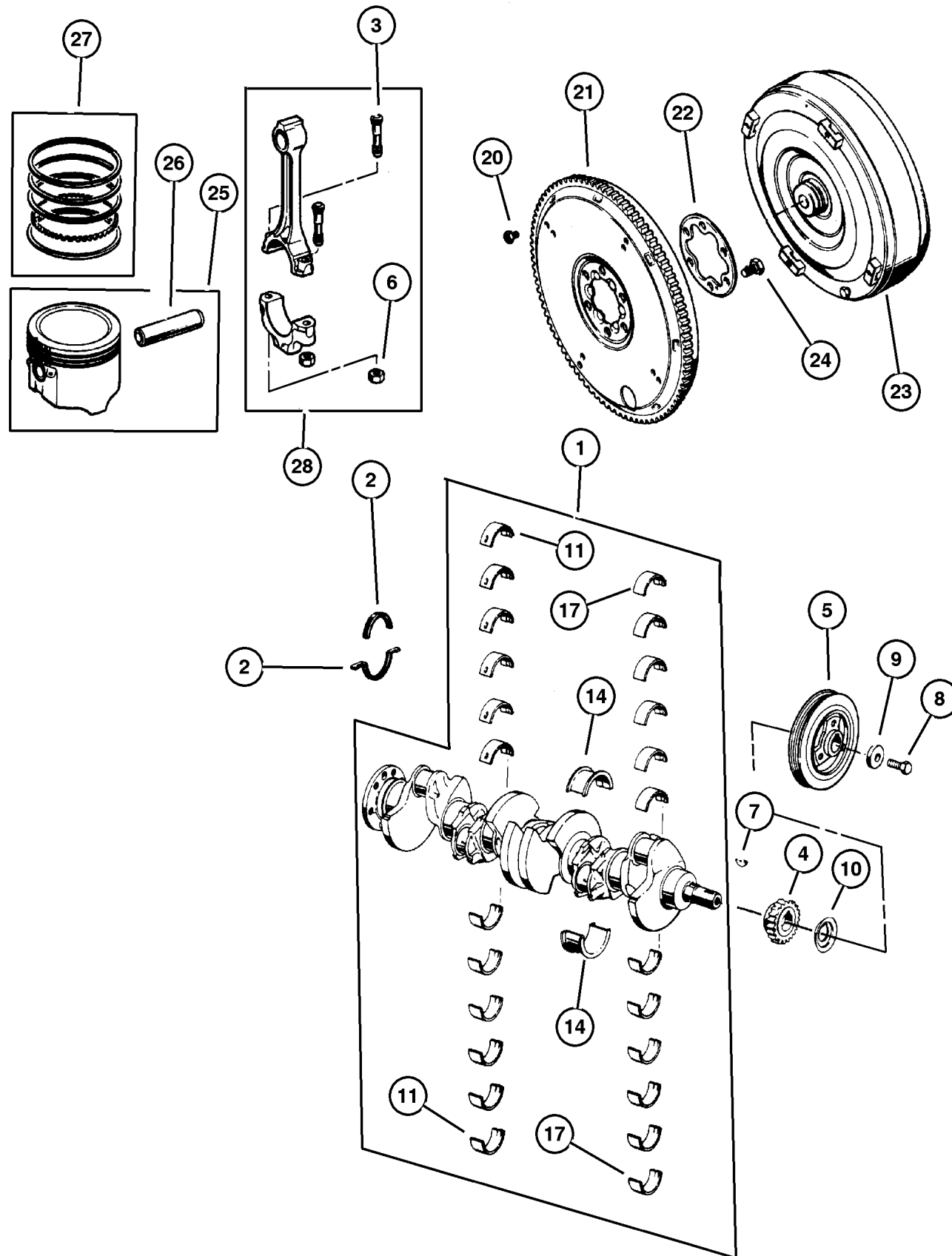
JEEP GRAND CHEROKEE (WJ)

SERIES	LINE	BODY	ENGINE	TRANSMISSION
H=Laredo	J = 4WD	74 = 4 Door(105.9 WB)	ER0, ERH = 4.0L, Power Tech I-6	DGK = 4 Speed Autm, 42RE
P=Limited	T = 2WD		EVO, EVA = 4.7L, Power Tech V8	DGW = 4 Speed Automatic, -44RE
	U = 4WD (RHD)		EXA, EX0 = 3.1L, 5 Cyl Turbo Diesel	DG4 = Multi Speed Automatic, -45RFE
				DGO = All Automatic

AR = Use as required - = Non illustrated part # = New this model year

April 3, 2002

Crankshaft, Piston and Torque Converter 4.0L (ERH) Engine Figure 4.0L-410



ITEM	PART NUMBER	QTY	LINE	ENGINE	TRANS	DESCRIPTION
NOTE: ER0=All 4.0L Engines DG0=All Automatic Transmissions WD-Right Hand Drive---B=2 WD-Right Hand Drive						
1	4864 726	1		ER0	DG0	CRANKSHAFT
2	#53020 599AB	2		ER0		SEAL, Rear Main Crankshaft
3	5302 0123	12		ER0		BOLT, Connecting Rod
4	5302 0443	1		ER0		GEAR, Crankshaft
5	3300 2920	1		ER0		DAMPER, Crankshaft Use up to 2/11/00
	#33002 920AB	1		ER0		Use Up to 2/11/00
6	J400 6385	12		ER0		NUT, Hex Flange, .3437-24
7	6034 749	1		ER0		KEY, Crankshaft Sprocket
8	0182 776	1		ER0		BOLT
9	J323 0155	1		ER0		WASHER, Plain
10	J317 3076	1		ER0		SLINGER, Oil
11	8350 7079	6		ER0		BEARING PACKAGE, Crankshaft, Standard
-12	8350 7080	AR		ER0		BEARING PACKAGE, Crankshaft, .001 Undersize
-13	8350 7083	AR		ER0		BEARING PACKAGE, Crankshaft, .010 Undersize
14	8350 7084	1		ER0		BEARING PACKAGE, Crankshaft Thrust, Standard Size
-15	8350 7086	AR		ER0		BEARING PACKAGE, Crankshaft Thrust, .001" Undersize
-16	8350 7090	AR		ER0		BEARING PACKAGE, Crankshaft Thrust, .010" Undersize
17	8350 0300	12		ER0		BEARING KIT, Connecting Rod, Standard
-18	8350 1397	AR		ER0		BEARING KIT, Connecting Rod, .001 Undersize
-19	8350 0301	AR		ER0		BEARING KIT, Connecting Rod, .010 Undersize
20	1949 765	4			DG0	SCREW, Hex Head Header Point, .312-24x.44
21	5211 8257	1		ER0	DG0	PLATE, Drive Plate
22	J321 4094	1		ER0	DG0	PLATE, Drive Plate Backing
23	4736 596	1		ER0	DG0	TORQUE CONVERTER
24	J315 1407	6		ER0	DG0	BOLT, Hex Head, .50-20x.56
25	4798 329	6		ER0		PISTON PIN AND ROD B Size, 3.8742
	4798 330	6		ER0		C Size, 3.8746
	4798 331	6		ER0		D Size, 3.8750
	4798 332	6		ER0		E Size, 3.8754
	4798 333	6		ER0		F Size, 3.8758
26						PIN, Piston, Serviced in Piston, (NOT SERVICED)
27	4798 878	1		ER0		RING PACKAGE, Piston, Standard Size Complete Engine
28						ROD, Connecting, Serviced in Piston, (NOT SERVICED)

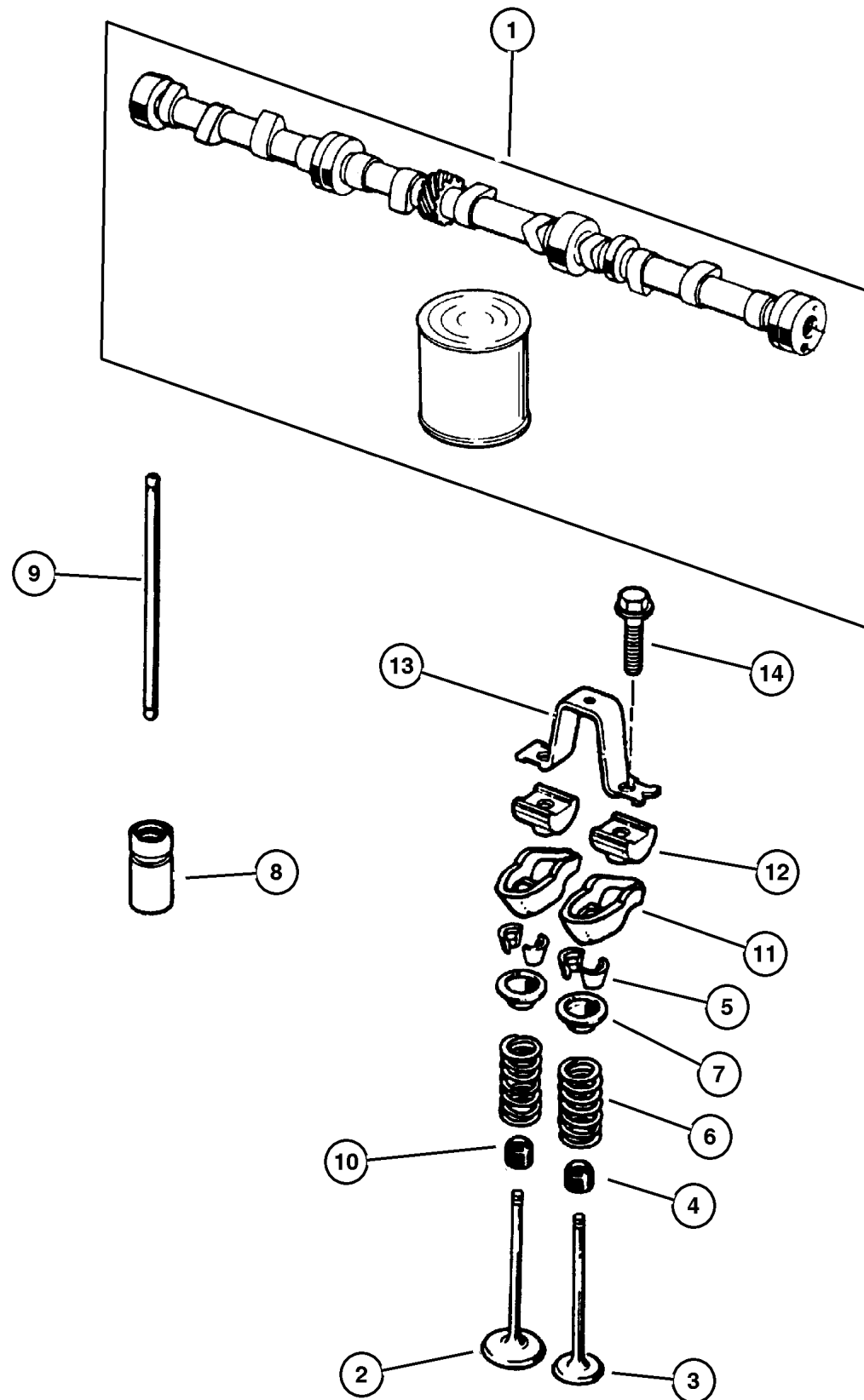
JEEP GRAND CHEROKEE (WJ)

SERIES	LINE	BODY	ENGINE	TRANSMISSION
H=Laredo	J = 4WD	74 = 4 Door(105.9 WB)	ER0, ERH = 4.0L, Power Tech I-6	DGK = 4 Speed Autm, 42RE
P=Limited	T = 2WD		EV0, EVA = 4.7L, Power Tech V8	DGW = 4 Speed Automatic, -44RE
	U = 4WD (RHD)		EXA, EX0 = 3.1L, 5 Cyl Turbo Diesel	DG4 = Multi Speed Automatic, -45RFE
				DGO = All Automatic

AR = Use as required - = Non illustrated part # = New this model year

April 3, 2002

**Camshaft and Valves 4.0L (ERH) Engine
Figure 4.0L-510**



ITEM	PART NUMBER	QTY	LINE	ENGINE	TRANS	DESCRIPTION
NOTE: ER0=All 4.0L Engines WD-Right Hand Drive---B=2 WD-Right Hand Drive						
1	53010 448AA	1		ER0		CAMSHAFT
2	53010 512AA	6		ER0		VALVE, Intake, Standard
3	53010 513AA	6		ER0		VALVE, Exhaust, Standard
4	5300 9887	6		ER0		SEAL, Valve Guide
5	53010 515AA	24		ER0		LOCK, Valve Spring Retainer
6	5301 0388	12		ER0		SPRING, Valve
7	53010 514AA	12		ER0		RETAINER, Valve Spring
8	4740 269	12		ER0		TAPPET, Valve
9	3300 2986	12		ER0		PUSH ROD, Valve
10	5300 9886	6		ER0		SEAL, Valve Guide
11	J324 2393	12		ER0		ROCKER ARM, Valve
12	J323 5090	12		ER0		PIVOT, Rocker Arm
13	J323 6513	6		ER0		BRIDGE, Rocker Arm
14	J942 5708	12		ER0		BOLT, Hex Flange Head, .312-18x1.25

JEEP GRAND CHEROKEE (WJ)

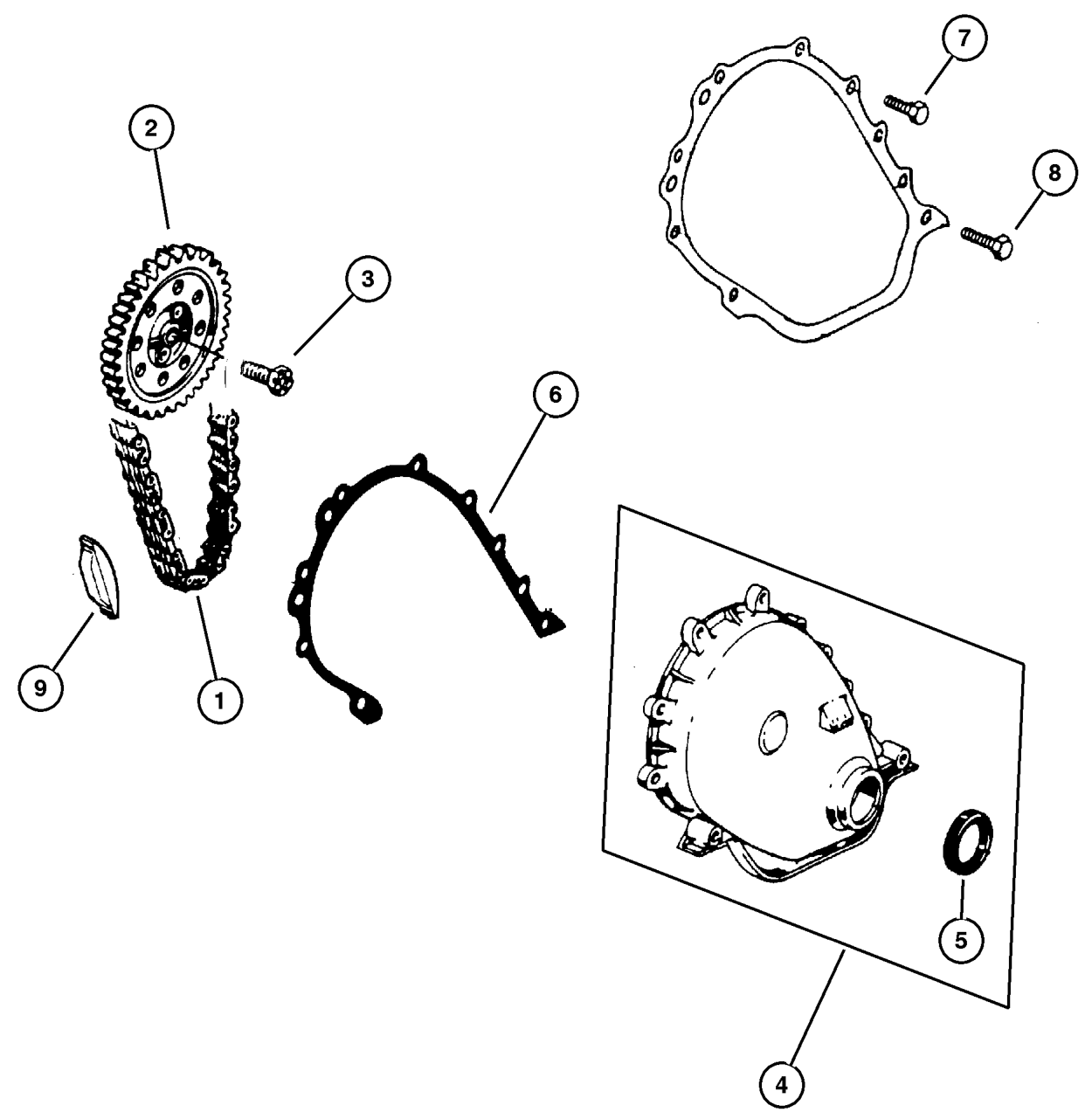
SERIES	LINE	BODY	ENGINE	TRANSMISSION
H=Laredo	J = 4WD	74 = 4 Door(105.9 WB)	ER0, ERH = 4.0L, Power Tech I-6	DGK = 4 Speed Autm, 42RE
P=Limited	T = 2WD		EVO, EVA = 4.7L, Power Tech V8	DGW = 4 Speed Automatic, -44RE
	U = 4WD (RHD)		EXA, EX0 = 3.1L, 5 Cyl Turbo Diesel	DG4 = Multi Speed Automatic, -45RFE
				DGO = All Automatic

AR = Use as required - = Non illustrated part # = New this model year

April 3, 2002

**Timing Belt and Cover 4.0L (ERH) Engine
Figure 4.0L-610**

ITEM	PART NUMBER	QTY	LINE	ENGINE	TRANS	DESCRIPTION
NOTE: ER0=All 4.0L Engines WD-Right Hand Drive---B=2 WD-Right Hand Drive						
1	5302 0444	1		ER0		CHAIN, Timing
2	5301 0400	1		ER0		SPROCKET, Camshaft
3	6024 030	1		ER0		SCREW AND WASHER, Hex
4	5301 0421	1		ER0		COVER, Timing Belt
5	3300 4681	1		ER0		SEAL, Front Main Crankshaft
6	5302 0487	1		ER0		GASKET, Front Cover
7	6035 893	5		ER0		BOLT, Hex
8						SCREW
	6035 894	2		ER0		.312-18x1.56
	6035 895	2		ER0		.250-20x1.240
9	3300 3446	1		ER0		SNUBBER, Timing Chain
-10	5301 0401	1		ER0		PLATE, Camshaft Thrust
-11	6035 975AA	2		ER0		SCREW, Pan Head

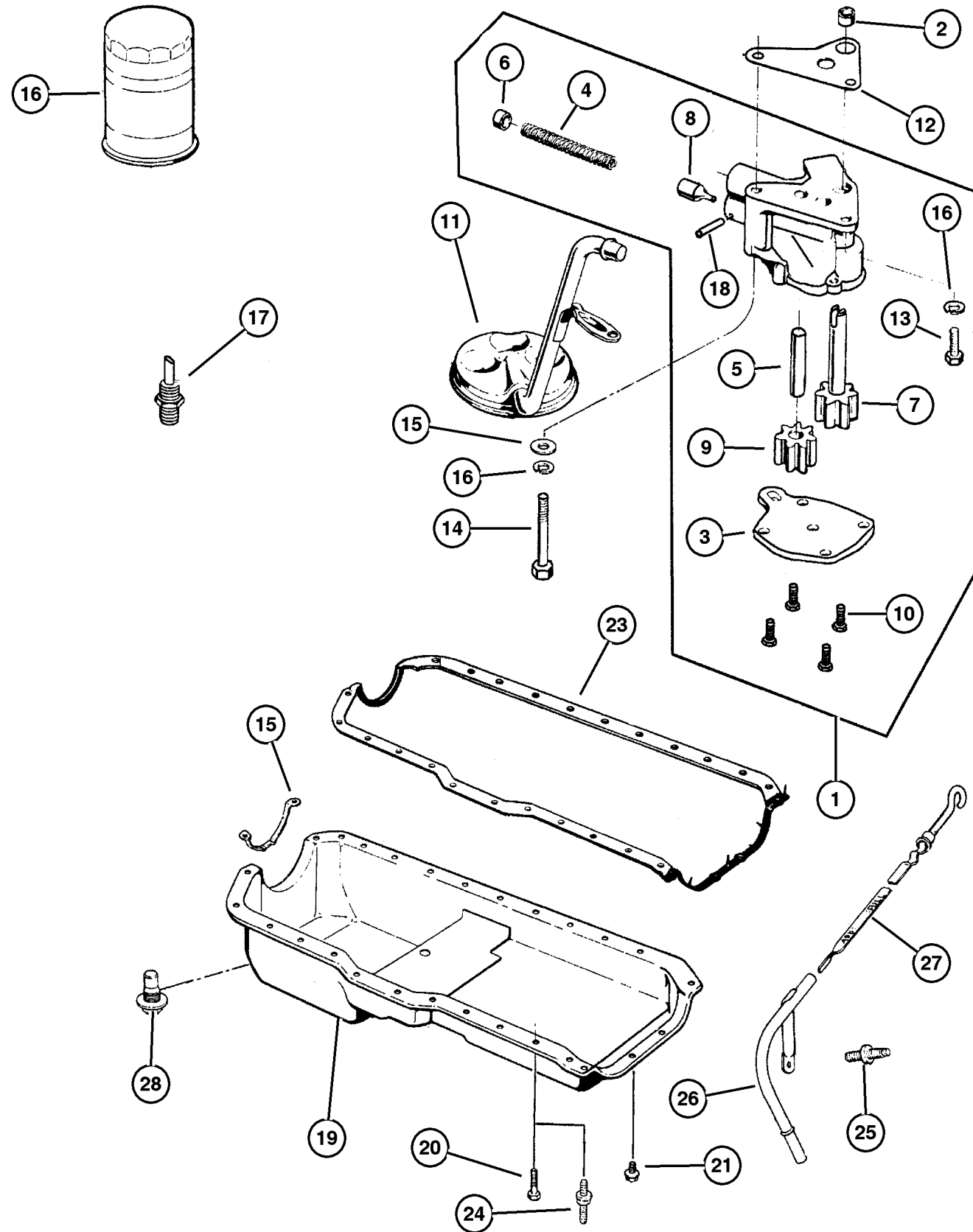


JEEP GRAND CHEROKEE (WJ)				
SERIES	LINE	BODY	ENGINE	TRANSMISSION
H=Laredo	J = 4WD	74 = 4 Door(105.9 WB)	ER0, ERH = 4.0L, Power Tech I-6	DGK = 4 Speed Autm, 42RE
P=Limited	T = 2WD		EVO, EVA = 4.7L, Power Tech V8	DGW = 4 Speed Automatic, -44RE
	U = 4WD (RHD)		EXA, EX0 = 3.1L, 5 Cyl Turbo Diesel	DG4 = Multi Speed Automatic, -45RFE
				DGO = All Automatic

AR = Use as required - = Non illustrated part # = New this model year

April 3, 2002

**Engine Oiling 4.0L (ERH) Engine
Figure 4.0L-710**



ITEM	PART NUMBER	QTY	LINE	ENGINE	TRANS	DESCRIPTION
NOTE: ER0=All 4.0L Engines WD-Right Hand Drive---B=2 WD-Right Hand Drive						
1	J324 1399	1		ER0		PUMP, Engine Oil
2	J400 5149	1		ER0		DOWEL, Oil Pump
3	J324 1733	1		ER0		COVER, Engine Oil Pump
4	J323 9668	1		ER0		SPRING, Oil Pressure Relief Valve
5	J317 1956	1		ER0		SHAFT, Oil Pump
6	J317 1958	1		ER0		RETAINER, Oil Release Valve
7	J317 2334	1		ER0		GEAR, Oil Pump
8	J318 8661	1		ER0		PLUNGER, Oil Pressure Relief Valve
9	J319 6843	1		ER0		GEAR, Oil Pump Driven
10	J941 6852	4		ER0		SCREW, Hex Flange Head, .25-20x.50
11	3300 2696	1		ER0		TUBE, Oil Pump Inlet
12	J317 2332	1		ER0		GASKET, Oil Pump
13	6022 235	1		ER0		BOLT AND WASHER, Hex Head, .312-18x1.00
14	0154 593	1		ER0		SCREW, Hex Head Coned, .312-18x2.625
15	53010 511AA	1		ER0		SUPPORT, Engine Oil Pan
16	5281 090	1		ER0		FILTER, Engine Oil
17	5300 7563	1		ER0		CONNECTOR, Oil Filter
18	J027 1448	1		ER0		PIN, Roll, 5/32" x 1.00"
19	5301 0340	1		ER0		PAN, Engine Oil
20	6034 732	14		ER0		SCREW AND WASHER, Hex Head, .25-20x.545
21	6034 483	3		ER0		SCREW, Hex Head Coned, .312-18x.875
-22	6034 733	1		ER0		STUD, .312-18/.250-20x1.680
23	#53007 568AC	1		ER0		GASKET, Oil Pan
24	6034 734	10		ER0		BOLT, Double Stud Hex, .250-20x1.437 & .250-20 x.700
25	6035 664	1		ER0		STUD, .312-18x1.560
26	5302 0782	1		ER0		TUBE, Oil Filler
27	5301 0445	1		ER0		INDICATOR, Engine Oil Level
28	6035 417	1		ER0		PLUG, Oil Drain
-29	5083 881AA	1		ER0		DRIVE, OIL PUMP

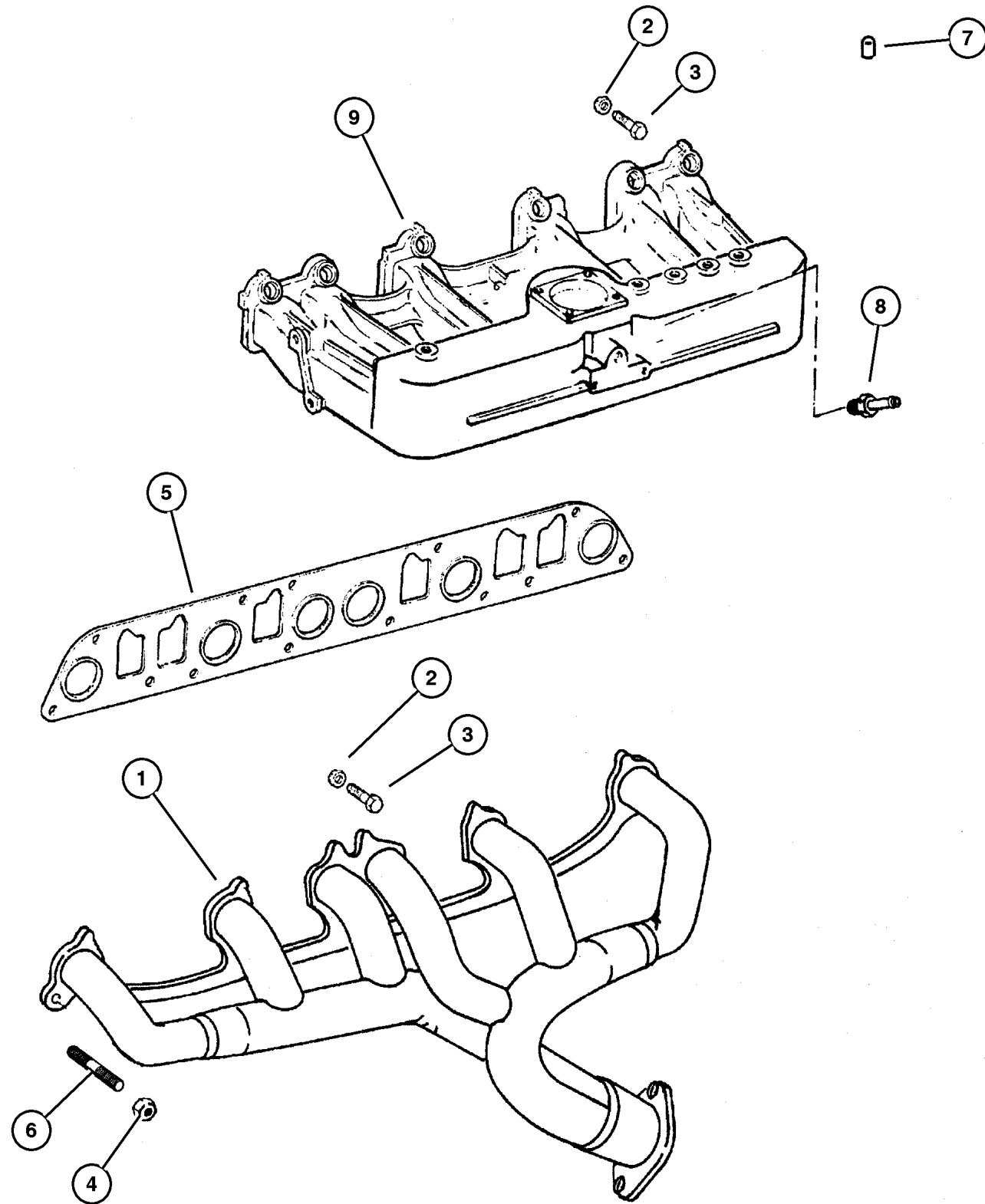
JEEP GRAND CHEROKEE (WJ)

SERIES	LINE	BODY	ENGINE	TRANSMISSION
H=Laredo	J = 4WD	74 = 4 Door(105.9 WB)	ER0, ERH = 4.0L, Power Tech I-6	DGK = 4 Speed Autm, 42RE
P=Limited	T = 2WD		EV0, EVA = 4.7L, Power Tech V8	DGW = 4 Speed Automatic, -44RE
	U = 4WD (RHD)		EXA, EX0 = 3.1L, 5 Cyl Turbo Diesel	DG4 = Multi Speed Automatic, -45RFE
				DGO = All Automatic

AR = Use as required - = Non illustrated part # = New this model year

April 3, 2002

**Manifold, Intake and Exhaust 4.0L (ERH) Engine
Figure 4.0L-810**



ITEM	PART NUMBER	QTY	LINE	ENGINE	TRANS	DESCRIPTION
NOTE: ER0=All 4.0L Engines WD-Right Hand Drive---B=2 WD-Right Hand Drive						
1	5301 0196	1		ER0		MANIFOLD, Exhaust Front
	5301 0199	1		ER0		MANIFOLD, Exhaust Rear
2	6036 171AA	2		ER0		NUT AND WASHER
3	6036 045AA	1		ER0		BOLT AND RETAINER, Hex Head
4	6036 171AA	2		ER0		NUT AND WASHER
5	4854 038	1		ER0		GASKET, Intake/Exhaust Manifold
6	6036 193AA	2		ER0		STUD, .375-16/.375-24x1.75
7	3580 172	1		ER0		CAP, Vacuum
8	4854 194	1		ER0		FITTING, Vacuum
9	4854 197AA	1		ER0		MANIFOLD, Intake

JEEP GRAND CHEROKEE (WJ)				
SERIES	LINE	BODY	ENGINE	TRANSMISSION
H=Laredo	J = 4WD	74 = 4 Door(105.9 WB)	ER0, ERH = 4.0L, Power Tech I-6	DGK = 4 Speed Autm, 42RE
P=Limited	T = 2WD		EV0, EVA = 4.7L, Power Tech V8	DGW = 4 Speed Automatic, -44RE
	U = 4WD (RHD)		EXA, EX0 = 3.1L, 5 Cyl Turbo Diesel	DG4 = Multi Speed Automatic, -45RFE
				DGO = All Automatic

AR = Use as required - = Non illustrated part # = New this model year

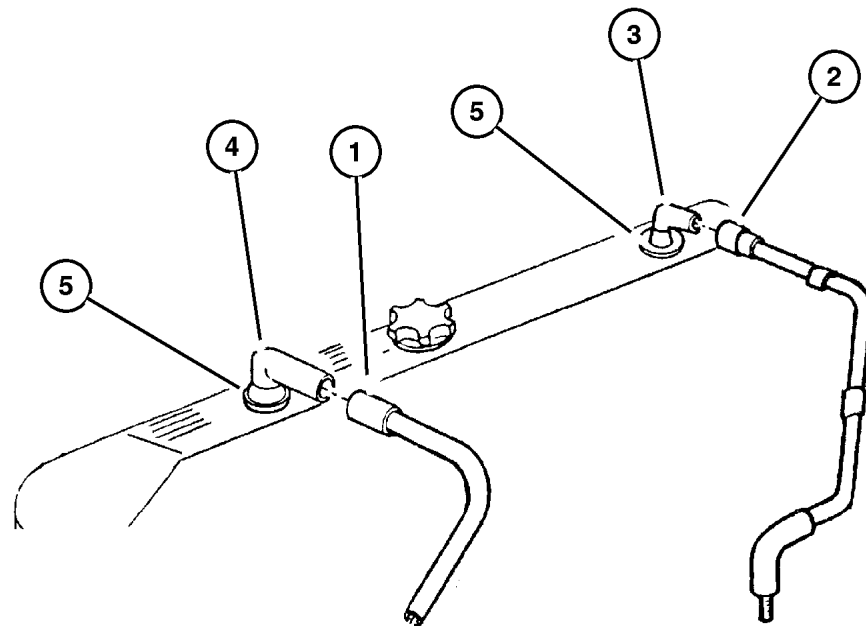
April 3, 2002

**Crankcase Ventilation 4.0L (ERH) Engine
Figure 4.0L-910**

ITEM	PART NUMBER	QTY	LINE	ENGINE	TRANS	DESCRIPTION
------	-------------	-----	------	--------	-------	-------------

NOTE: ER0=All 4.0L Engines WD-Right Hand Drive---B=2 WD-Right Hand Drive

1	4854 119	1		ER0		TUBE, Crankcase Vent To Air Cleaner
2	4854 265	1		ER0		TUBE, Crankcase Vent To Intake Manifold
3	53013 360AA	1		ER0		TUBE, Crankcase Vent To Air Cleaner
4	5303 0497	1		ER0		FITTING, Crankcase Vent Tube
5	2946 079	2		ER0		GROMMET, Crankcase Vent



JEEP GRAND CHEROKEE (WJ)

SERIES	LINE	BODY	ENGINE	TRANSMISSION
H=Laredo	J = 4WD	74 = 4 Door(105.9 WB)	ER0, ERH = 4.0L, Power Tech I-6	DGK = 4 Speed Autm, 42RE
P=Limited	T = 2WD		EVO, EVA = 4.7L, Power Tech V8	DGW = 4 Speed Automatic, -44RE
	U = 4WD (RHD)		EXA, EX0 = 3.1L, 5 Cyl Turbo Diesel	DG4 = Multi Speed Automatic, -45RFE
				DGO = All Automatic

AR = Use as required - = Non illustrated part # = New this model year

April 3, 2002

Group – 4.7L

Engine 4.7L Eight Cylinder

GROUP 4.7L - Engine 4.7L Eight Cylinder

Illustration Title

Group-Fig. No.

Cylinder Head

Cylinder Head 4.7L (EVA) Engine Fig. 4.7L-210

Cylinder Block

Cylinder Block 4.7L (EVA) Engine Fig. 4.7L-310

Crankshaft, Pistons and Torque Converter

Crankshaft, Piston and Torque Converter 4.7L (EVA) Engine Fig. 4.7L-410

Camshafts and Valves

Camshaft and Valves 4.7L (EVA) Engine Fig. 4.7L-510

Timing Belt and Cover

Timing Cover 4.7L (EVA) Engine Fig. 4.7L-610

Timing Chain and Guides 4.7L (EVA) Engine Fig. 4.7L-620

Engine Oiling

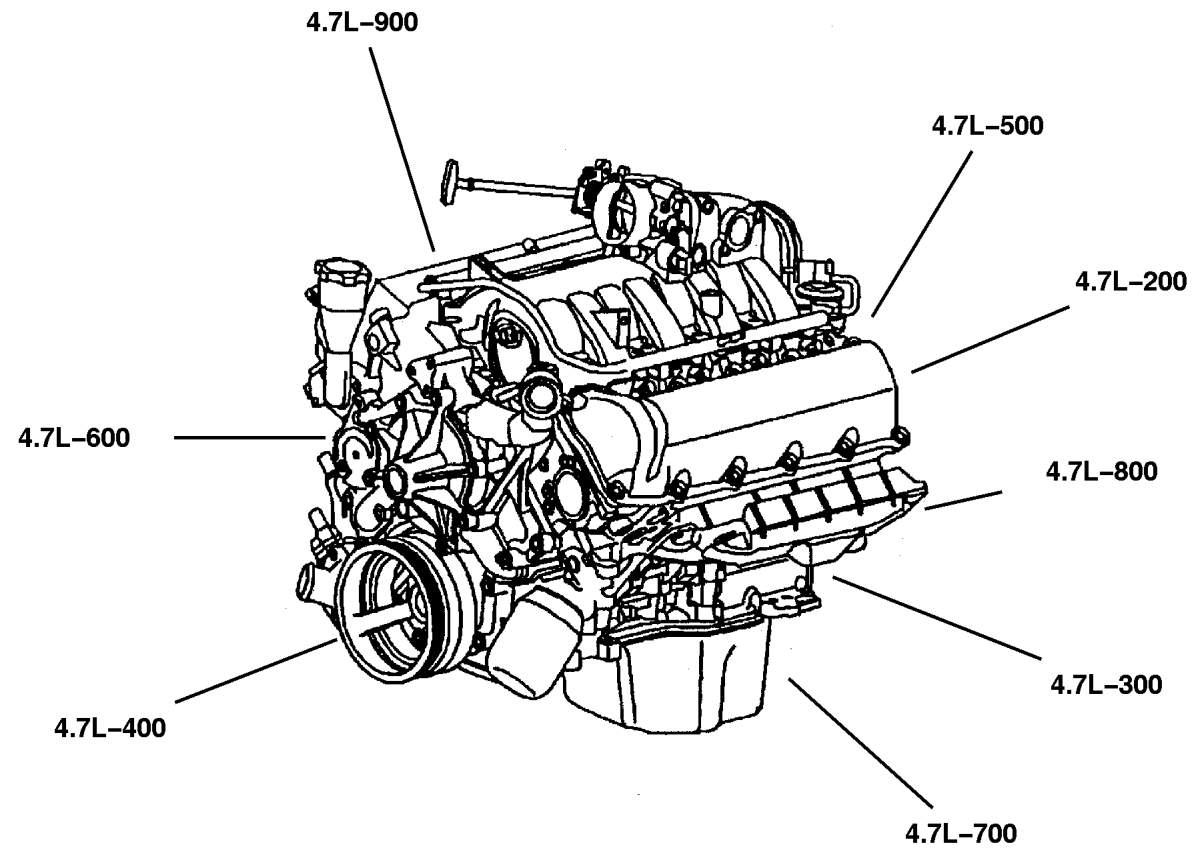
Engine Oiling 4.7L (EVA) Engine Fig. 4.7L-710

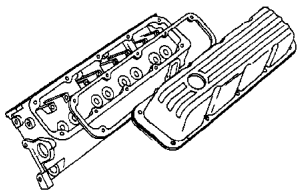
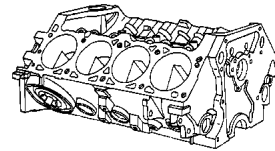
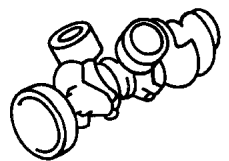
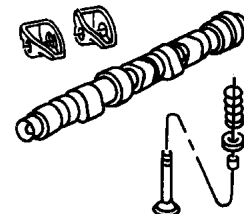
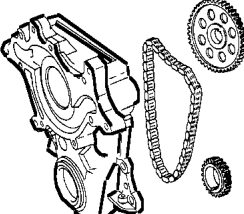
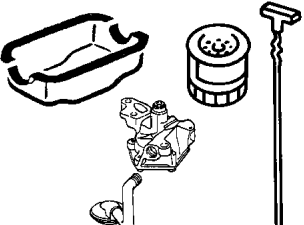
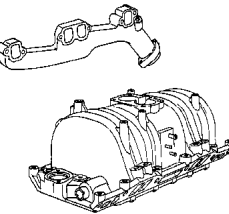
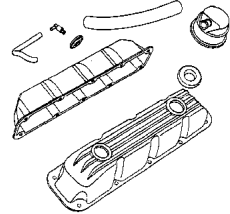
Manifolds

Manifold, Intake and Exhaust 4.7L (EVA) Engine Fig. 4.7L-810

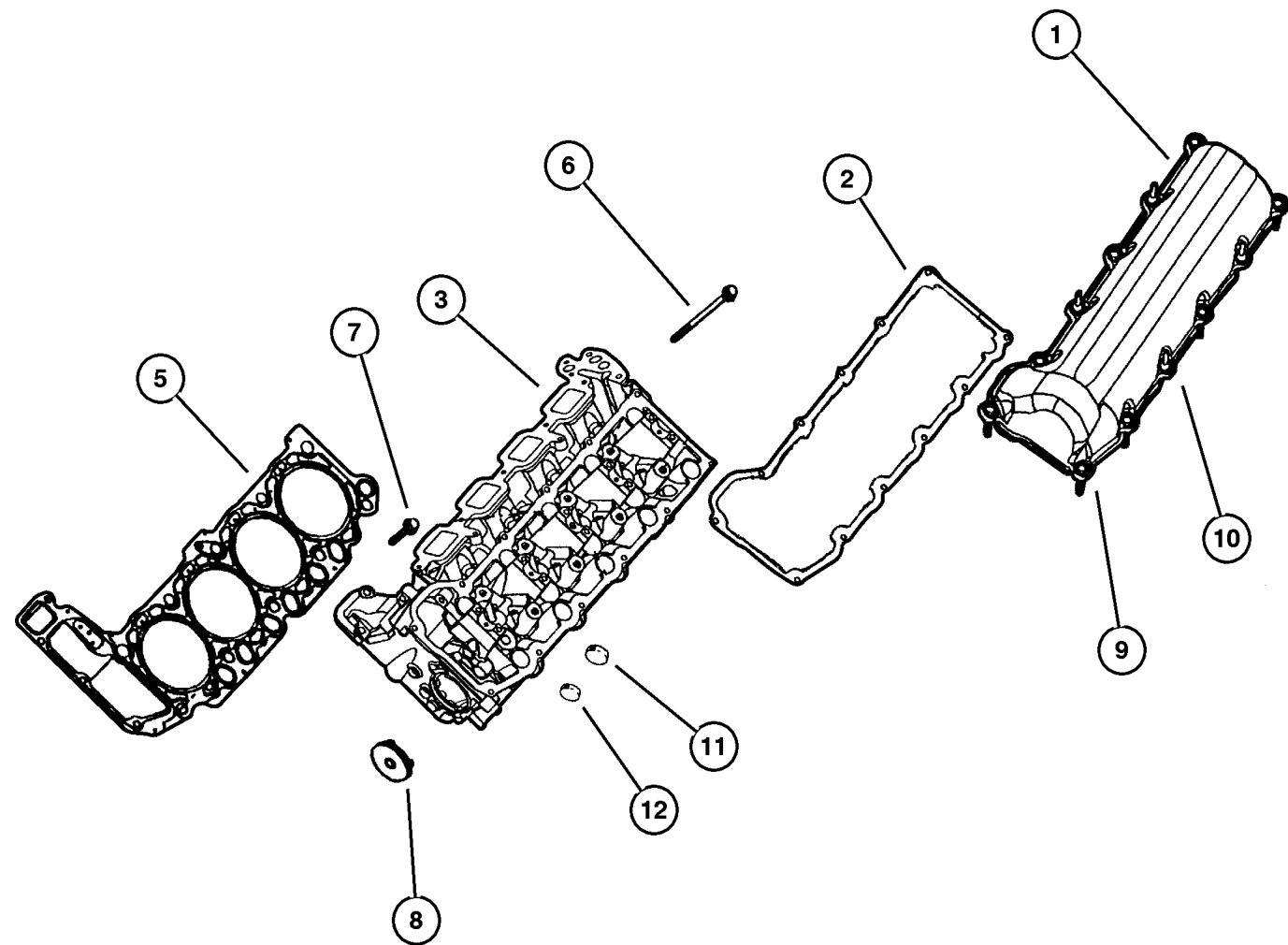
Crankcase Ventilation

Crankcase Ventilation 4.7L (EVA) Engine Fig. 4.7L-910



<p>4.7L-200 Cylinder Head</p> 	<p>4.7L-300 Cylinder Block</p> 	<p>4.7L-400 Crankshaft, Pistons and Torque Converter</p> 	<p>4.7L-500 Camshafts and Valves</p> 
<p>4.7L-600 Timing Belt and Cover</p> 	<p>4.7L-700 Engine Oiling</p> 	<p>4.7L-800 Manifolds</p> 	<p>4.7L-900 Crankcase Ventilation</p> 

**Cylinder Head 4.7L (EVA) Engine
Figure 4.7L-210**



ITEM	PART NUMBER	QTY	LINE	ENGINE	TRANS	DESCRIPTION
NOTE: All 4.7L Engines WD-Right Hand Drive---B=2 WD-Right Hand Drive						
Upper Engine Gasket Set- 05016163AB WD-Right Hand Drive---B=2 WD-Right Hand Drive						
1						COVER, Cylinder Head
	53020 657AB	1		EVO		Left
	53020 874AB	1		EVO		Right
2						GASKET, Valve Cover
	5302 0877	1		EVO		Left
	5302 0878	1		EVO		Right
3	5012 522AA	1		EVO		HEAD, Cylinder, Left
-4	5012 529AA	1		EVO		HEAD, Cylinder, Right
5	5302 0673	2		EVO		GASKET, Cylinder Head
6	6504 939AA	20		EVO		SCREW AND WASHER, Hex Head
7	6504 985AA	8		EVO		SCREW AND WASHER, Hex Head
8	5302 1031	1		EVO		PLUG, Access Hole
9						SCREW, Serviced in Cylinder Head Cover, (NOT SERVICED)
10						STUD, Serviced in Cylinder Head Cover, (NOT SERVICED)
11	4556 020	2		EVO		PLUG, Core, 1.25 Diameter
12	4556 017	1		EVO		PLUG, Core

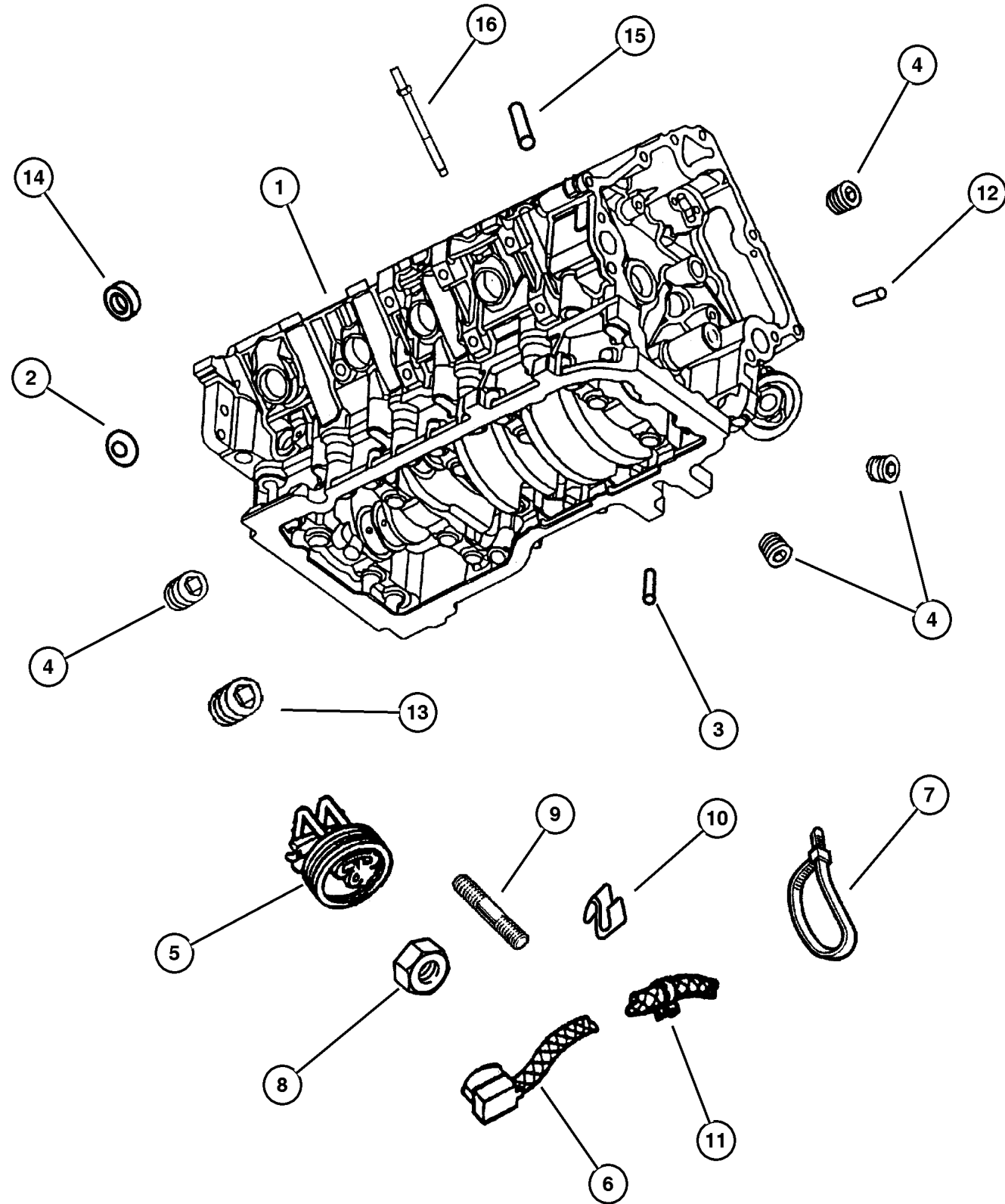
JEEP GRAND CHEROKEE (WJ)

SERIES	LINE	BODY	ENGINE	TRANSMISSION
H=Laredo	J = 4WD	74 = 4 Door(105.9 WB)	ER0, ERH = 4.0L, Power Tech I-6	DGK = 4 Speed Autm, 42RE
P=Limited	T = 2WD		EVO, EVA = 4.7L, Power Tech V8	DGW = 4 Speed Automatic, -44RE
	U = 4WD (RHD)		EXA, EX0 = 3.1L, 5 Cyl Turbo Diesel	DG4 = Multi Speed Automatic, -45RFE
				DGO = All Automatic

AR = Use as required - = Non illustrated part # = New this model year

April 3, 2002

**Cylinder Block 4.7L (EVA) Engine
Figure 4.7L-310**



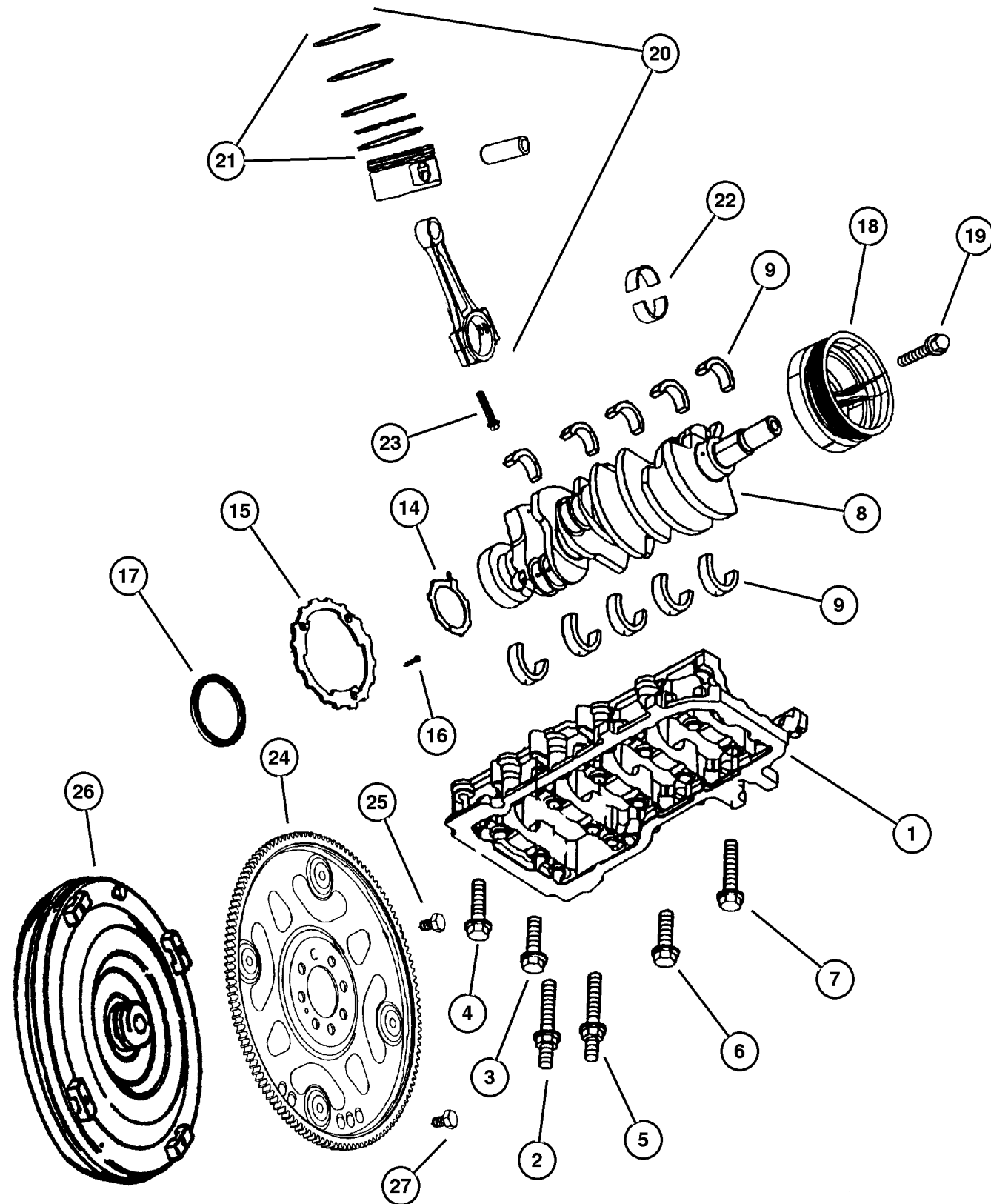
ITEM	PART NUMBER	QTY	LINE	ENGINE	TRANS	DESCRIPTION
NOTE: EV0=All 4.7L Engines DG0=All Automatic Transmissions WD-Right Hand Drive---B=2 WD-Right Hand Drive						
1	5011 499AA	1		EV0		BLOCK, Short
2	6034 804	10		EV0		PLUG, Core, 1.39 Diameter
3	6505 457AA	3		EV0		PIN
4	6036 114AA	4		EV0		PLUG, Pipe
5	56041 304AB	1		EV0		HEATER, Engine Block
6	5602 7117	1		EV0		CORD, Engine Block Heater
7	5600 8876	1				STRAP, Tie
8						NUT, Hex Flange Lock, .375-16, (NOT SERVICED)
9						SCREW, [.375-16x.625], (NOT SERVICED)
10						CLIP, (NOT SERVICED)
11						CLIP, (NOT SERVICED)
12	5302 1049	2		EV0		DOWEL
13	6034 366	2		EV0		SCREW
14	4556 019	1		EV0		PLUG, Cylinder Block Oil Hole
15	6505 458AA	4		EV0		PIN
16	6505 274AA	2		EV0		STUD
-17	5240 849	4		EV0		DOWEL, Block To Clutch Housing

JEEP GRAND CHEROKEE (WJ)				
SERIES	LINE	BODY	ENGINE	TRANSMISSION
H=Laredo	J = 4WD	74 = 4 Door(105.9 WB)	ER0, ERH = 4.0L, Power Tech I-6	DGK = 4 Speed Autm, 42RE
P=Limited	T = 2WD		EV0, EVA = 4.7L, Power Tech V8	DGW = 4 Speed Automatic, -44RE
	U = 4WD (RHD)		EXA, EX0 = 3.1L, 5 Cyl Turbo Diesel	DG4 = Multi Speed Automatic, -45RFE
				DGO = All Automatic

AR = Use as required - = Non illustrated part # = New this model year

April 3, 2002

Crankshaft, Piston and Torque Converter 4.7L (EVA) Engine Figure 4.7L-410



ITEM	PART NUMBER	QTY	LINE	ENGINE	TRANS	DESCRIPTION
NOTE: EV0=All 4.7L Engines DG0=All Automatic Transmissions DG4=Multi-Speed Transmission WD-Right Hand Drive---B=2 WD-Right Hand Drive						
1						BEDPLATE, Serviced in Short Block, (NOT SERVICED)
2	6505 151AA	2		EV0		STUD
3	6102 047AA	6		EV0		SCREW, Hex Head, M8x1.25x50
4	6504 411	7		EV0		SCREW
5	6505 150AA	1		EV0		STUD
6	6504 410	5		EV0		SCREW, Hex Head
7	6505 394AA	7		EV0		SCREW AND WASHER
8	#53020 939AB	1		EV0		CRANKSHAFT
9	5013 586AB	5		EV0		BEARING PACKAGE, Crankshaft, B Grade
-10	5014 183AA	5		EV0		BEARING PACKAGE, Crankshaft, A Grade
-11	5014 186AA	5		EV0		BEARING PACKAGE, Crankshaft, C Grade
-12	5013 587AA	AR		EV0		BEARING PACKAGE, Crankshaft, .025mm Undersize
-13	5013 588AA	AR		EV0		BEARING PACKAGE, Crankshaft, .25mm Undersize
14	5012 356AB	1		EV0		WASHER PACKAGE, Washer
15						TONE RING, Sensor, Serviced in Crankshaft, (NOT SERVICED)
16	6504 480	3		EV0		SCREW, M6x1x25
17	5302 0788	1		EV0		SEAL, Crankshaft Bearing Oil
18	53020 689AB	1		EV0		DAMPER, Crankshaft
19	6504 415	1		EV0		SCREW AND WASHER
20	5012 362AB	8		EV0		PISTON PIN AND ROD, STD
21	5012 364AB	8		EV0		RING PACKAGE, Piston, Standard Size
22	5012 363AA	8		EV0		BEARING PACKAGE, Connecting Rod, Standard
23	6504 720	16		EV0		BOLT, Connecting Rod
24	5210 4048	1		EV0	DG0	PLATE, Torque Converter Drive
25	6503 465	8		EV0	DG0	BOLT, Drive Plate and Flywheel
26	4736 582	1	J, U		DG4	TORQUE CONVERTER
27	1949 765	4			DG0	SCREW, Hex Head Header Point, .312-24x.44
-28	4736 547	1	T		DG4	SEAL, Torque Converter Hub
		1	J, U		DG4	

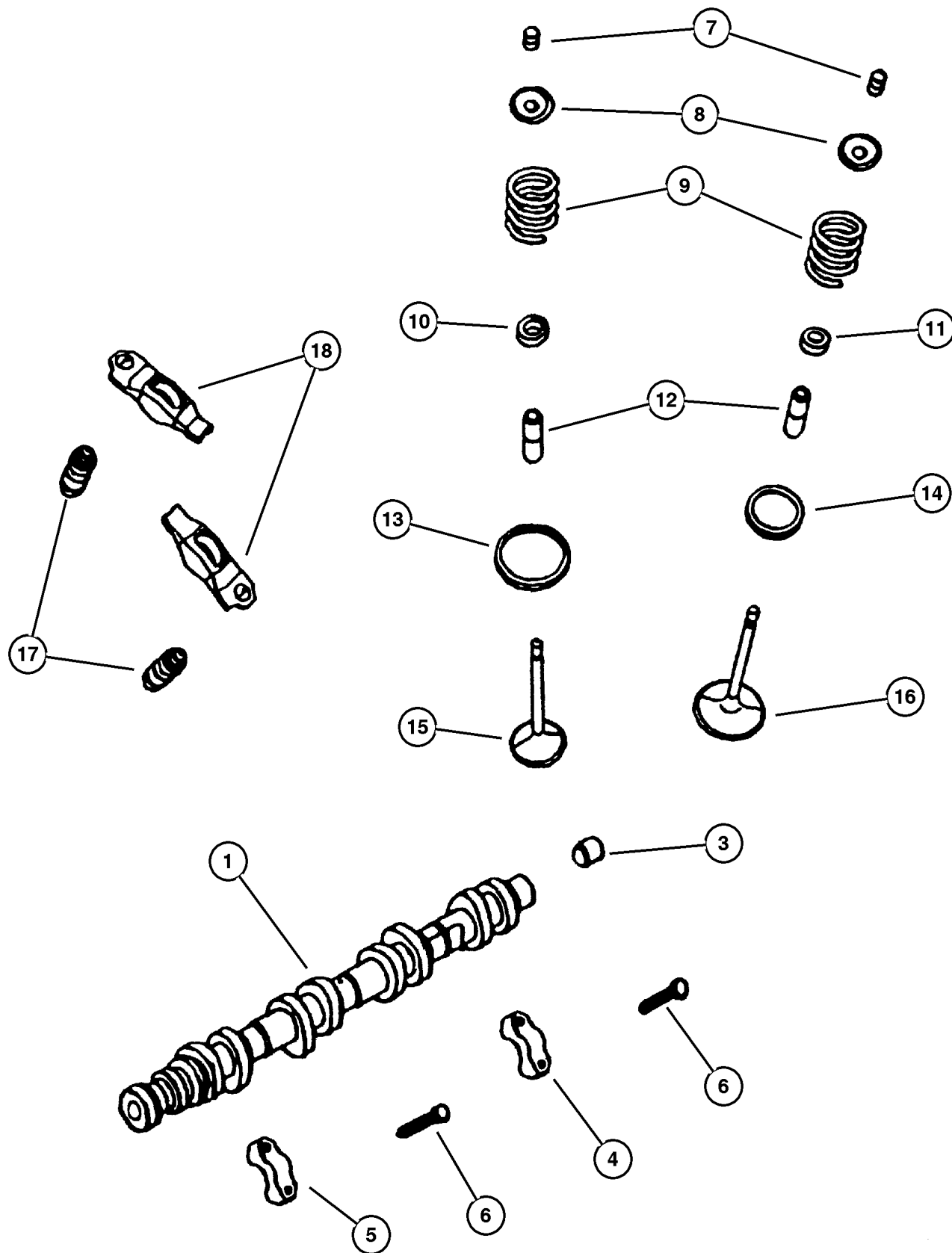
JEEP GRAND CHEROKEE (WJ)

SERIES	LINE	BODY	ENGINE	TRANSMISSION
H=Laredo	J = 4WD	74 = 4 Door(105.9 WB)	ER0, ERH = 4.0L, Power Tech I-6	DGK = 4 Speed Autm, 42RE
P=Limited	T = 2WD		EV0, EVA = 4.7L, Power Tech V8	DGW = 4 Speed Automatic, -44RE
	U = 4WD (RHD)		EXA, EX0 = 3.1L, 5 Cyl Turbo Diesel	DG4 = Multi Speed Automatic, -45RFE
				DGO = All Automatic

AR = Use as required - = Non illustrated part # = New this model year

April 3, 2002

Camshaft and Valves 4.7L (EVA) Engine Figure 4.7L-510



ITEM	PART NUMBER	QTY	LINE	ENGINE	TRANS	DESCRIPTION
NOTE: EV0=All 4.7L Engines WD-Right Hand Drive---B=2 WD-Right Hand Drive						
1	53021 159AA	1		EV0		CAMSHAFT, Engine, Left
-2	53021 160AA	1		EV0		CAMSHAFT, Engine, Right
3	53021 161AA	1		EV0		PLUG, Camshaft
4						CAP, Serviced in Cylinder Head, (NOT SERVICED)
5						CAP, Serviced in Cylinder Head, (NOT SERVICED)
6	6505 034AA	10		EV0		SCREW, M6x1x40
7	4536 513	32		EV0		LOCK, Valve Spring Retainer
8	5302 0750	16		EV0		RETAINER, Valve Spring
9	53020 749AB	16		EV0		SPRING, Valve
10	#53020 752AC	16		EV0		SEAL, Valve Guide
11	#53020 752AC	16		EV0		SEAL, Valve Guide
12						GUIDE, Intake/Exhaust Valve, Standard Size, Serviced in Cylinder Head, (NOT SERVICED)
13						INSERT, Intake Valve, Serviced in Cylinder Head, (NOT SERVICED)
14						INSERT, Exhaust Valve, Serviced in Cylinder Head, (NOT SERVICED)
15	53020 747AB	8		EV0		VALVE, Intake, Standard
16	5302 0748	8		EV0		VALVE, Exhaust, Standard
17	5302 1077	16		EV0		ADJUSTER, Valve Lash
18	5302 0742	16		EV0		ROCKER ARM, Valve

JEEP GRAND CHEROKEE (WJ)

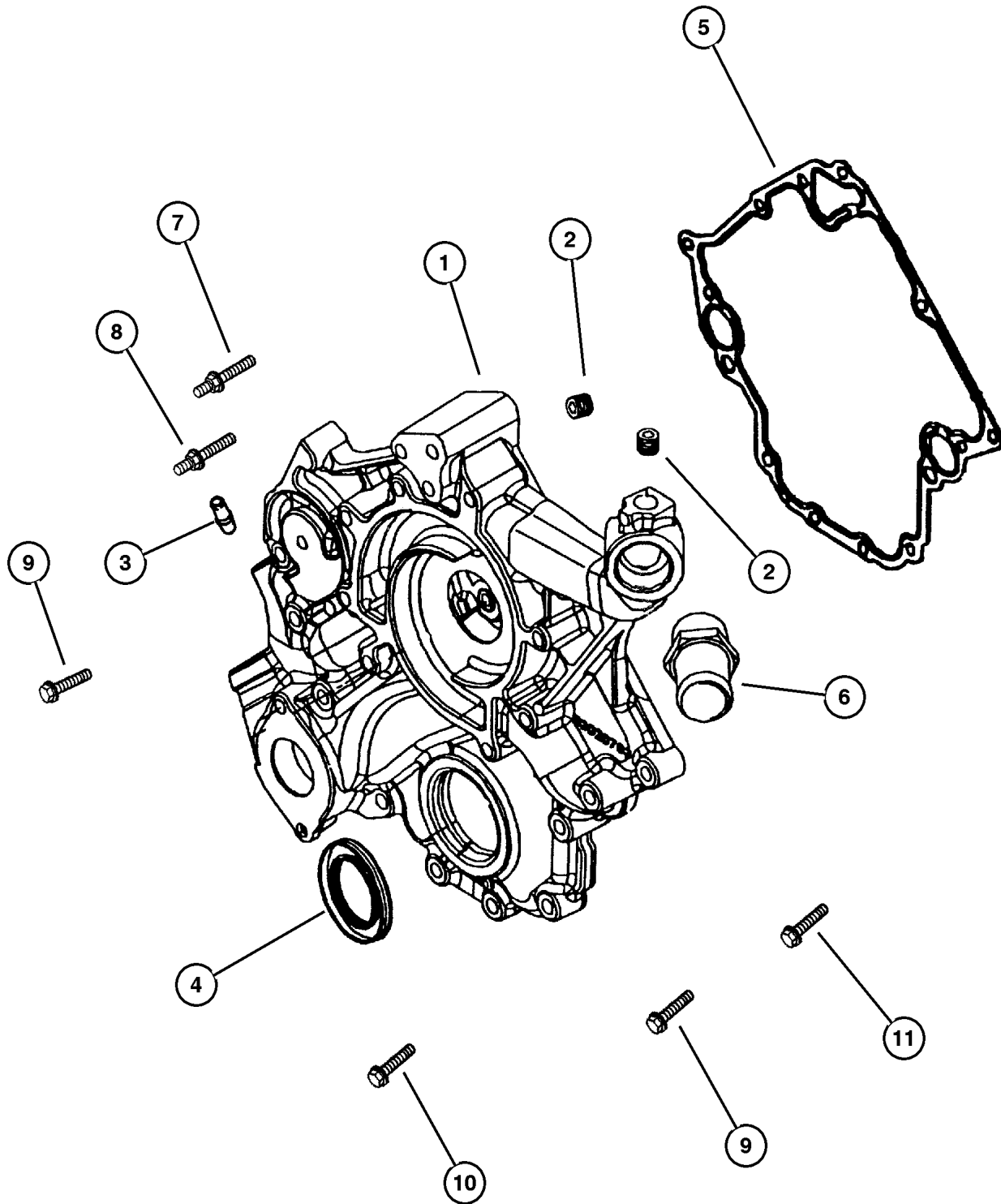
SERIES	LINE	BODY	ENGINE	TRANSMISSION
H=Laredo	J = 4WD	74 = 4 Door(105.9 WB)	ER0, ERH = 4.0L, Power Tech I-6	DGK = 4 Speed Autm, 42RE
P=Limited	T = 2WD		EV0, EVA = 4.7L, Power Tech V8	DGW = 4 Speed Automatic, -44RE
	U = 4WD (RHD)		EXA, EX0 = 3.1L, 5 Cyl Turbo Diesel	DG4 = Multi Speed Automatic, -45RFE
				DGO = All Automatic

AR = Use as required - = Non illustrated part # = New this model year

April 3, 2002

Timing Cover 4.7L (EVA) Engine
Figure 4.7L-610

ITEM	PART NUMBER	QTY	LINE	ENGINE	TRANS	DESCRIPTION
NOTE: EV0=All 4.7L Engines WD-Right Hand Drive---B=2 WD-Right Hand Drive						
1	5302 0791	1		EV0		COVER, Timing Case
2	6034 331	3		EV0		PLUG, Hex Socket, 3/8-18NPTx.475
3	6035 854	2		EV0		FITTING, Y-Style
4	5302 0790	1		EV0		SEAL, Crankshaft Oil, Front
5	5302 0862	1		EV0		GASKET, Chain Case Cover
6	6035 961AA	1		EV0		PIPE FITTING, Chain Case Cover, .375-18x2
7	6505 293AA	1		EV0		STUD
8	6505 019AA	1		EV0		STUD
9	6101 998	5		EV0		SCREW AND WASHER, Hex
10	6101 985	8		EV0		SCREW AND WASHER, M10x1.50x45.00
11	6505 579AA	2		EV0		SCREW AND WASHER



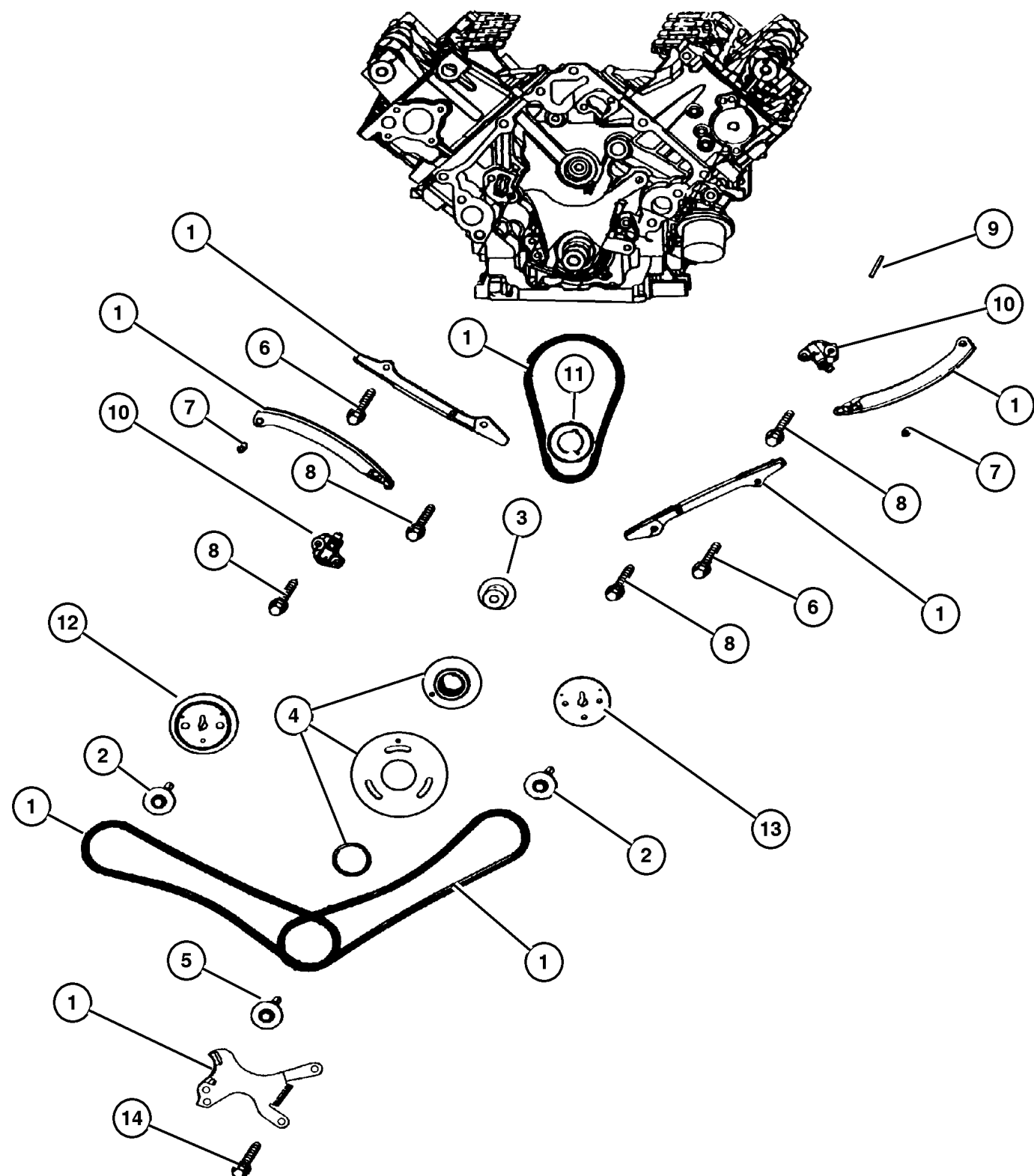
JEEP GRAND CHEROKEE (WJ)

SERIES	LINE	BODY	ENGINE	TRANSMISSION
H=Laredo	J = 4WD	74 = 4 Door(105.9 WB)	ER0, ERH = 4.0L, Power Tech I-6	DGK = 4 Speed Autm, 42RE
P=Limited	T = 2WD		EV0, EVA = 4.7L, Power Tech V8	DGW = 4 Speed Automatic, -44RE
	U = 4WD (RHD)		EXA, EX0 = 3.1L, 5 Cyl Turbo Diesel	DG4 = Multi Speed Automatic, -45RFE
				DGO = All Automatic

AR = Use as required - = Non illustrated part # = New this model year

April 3, 2002

Timing Chain and Guides 4.7L (EVA) Engine Figure 4.7L-620



ITEM	PART NUMBER	QTY	LINE	ENGINE	TRANS	DESCRIPTION
NOTE: EV0=All 4.7L Engines WD-Right Hand Drive---B=2 WD-Right Hand Drive						
1	5013 867AA	1		EV0		TIMING DRIVE KIT, Engine
2	6504 429	2		EV0		SCREW AND WASHER, Hex
3	5302 0835	1		EV0		SHAFT, Idler
4	5013 868AA	1		EV0		SPROCKET, Idler
5	6504 370	1		EV0		SCREW AND WASHER, Hex
6	6102 111AA	2		EV0		SCREW AND WASHER
7	6504 440	2		EV0		SCREW
8	6503 257	6		EV0		BOLT, Hex Head, M8x1.25x37.50
9	6504 471	1		EV0		KEY, Woodruff
10						TENSIONER, Chain
	5302 0779	1		EV0		Right
	53021 168AA	1		EV0		Left
11	5302 0679	1		EV0		SPROCKET, Crankshaft
12	53021 169AA	1		EV0		SPROCKET, Camshaft, Right
13	5302 0938	1		EV0		SPROCKET, Camshaft, Left
14	6100 932	2		EV0		BOLT, Hex
-15	5302 0781	2		EV0		GUIDE, Timing Chain
-16	5302 0681	1		EV0		TENSIONER, Chain, Primary

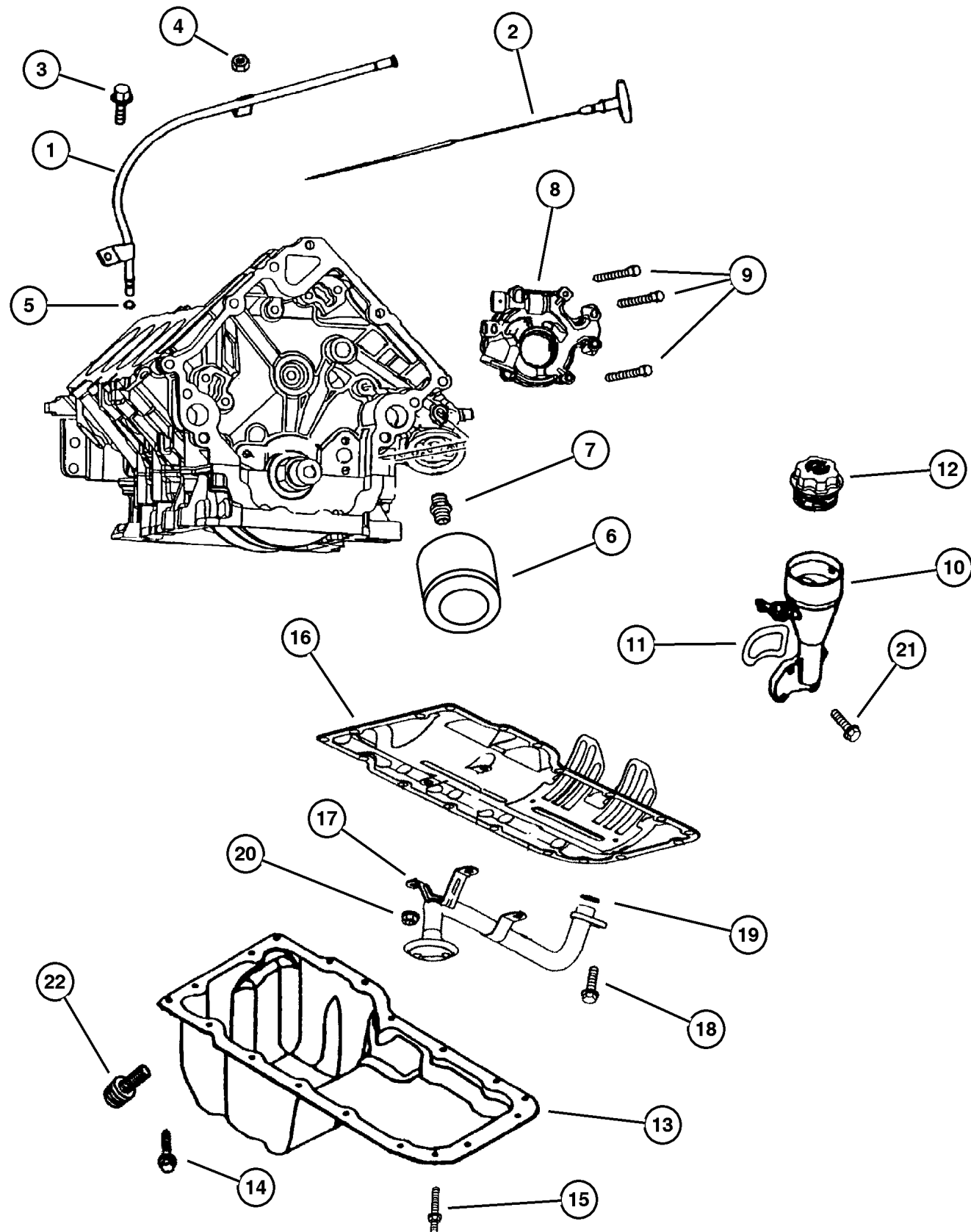
JEEP GRAND CHEROKEE (WJ)

SERIES	LINE	BODY	ENGINE	TRANSMISSION
H=Laredo	J = 4WD	74 = 4 Door(105.9 WB)	ER0, ERH = 4.0L, Power Tech I-6	DGK = 4 Speed Autm, 42RE
P=Limited	T = 2WD		EV0, EVA = 4.7L, Power Tech V8	DGW = 4 Speed Automatic, -44RE
	U = 4WD (RHD)		EXA, EX0 = 3.1L, 5 Cyl Turbo Diesel	DG4 = Multi Speed Automatic, -45RFE
				DGO = All Automatic

AR = Use as required - = Non illustrated part # = New this model year

April 3, 2002

Engine Oiling 4.7L (EVA) Engine Figure 4.7L-710



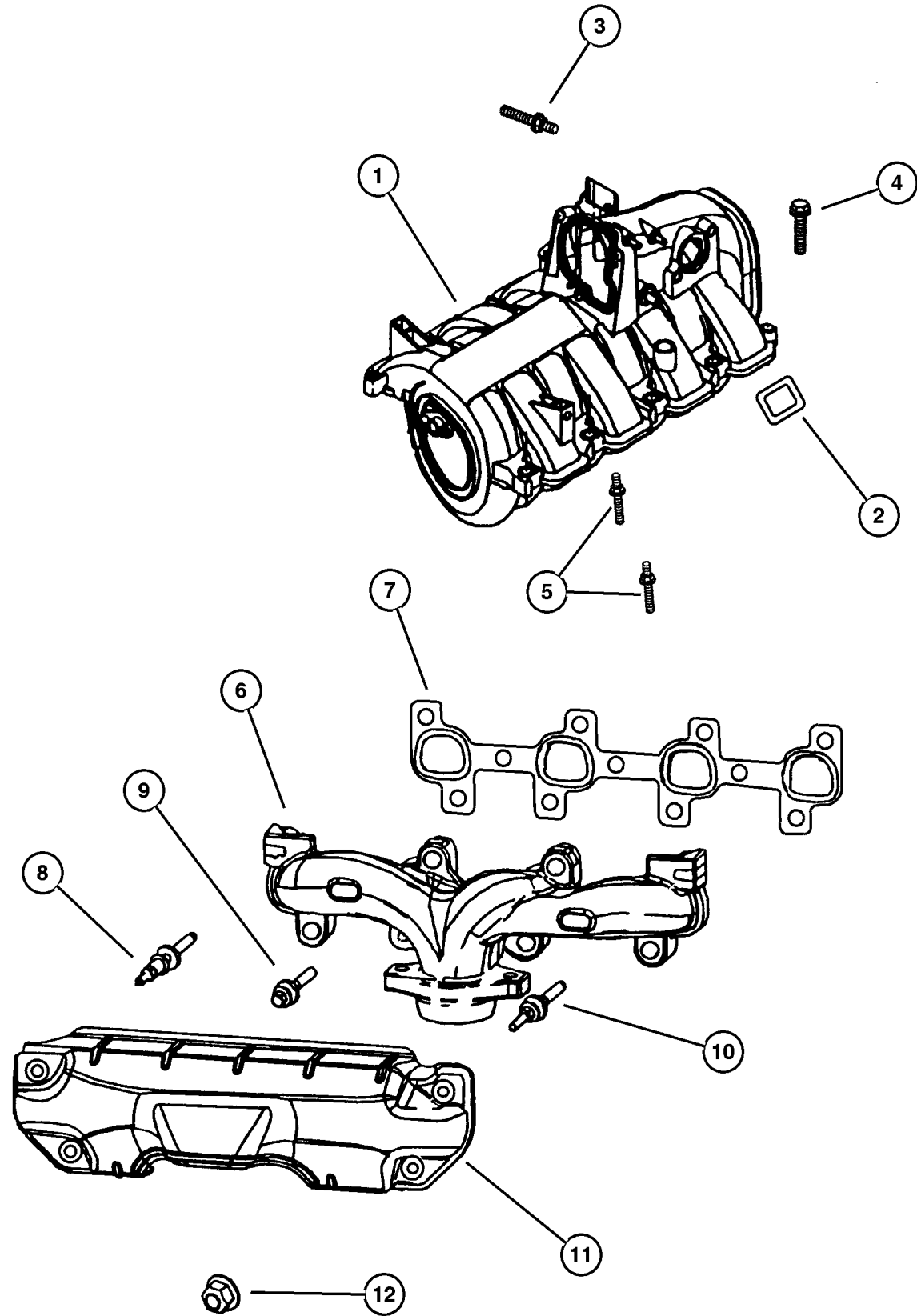
ITEM	PART NUMBER	QTY	LINE	ENGINE	TRANS	DESCRIPTION
NOTE: EV0=All 4.7L Engines WD-Right Hand Drive---B=2 WD-Right Hand Drive						
1	5302 1024	1		EV0		TUBE, Engine Oil Indicator
2	53020 859AB	1		EV0		INDICATOR, Engine Oil Level
3	6504 810AA	1		EV0		SCREW AND WASHER, Hex
4						NUT, M6x1.00, (NOT SERVICED)
5	53021 144AA	1		EV0		O RING, Engine Oil Indicator
6	5281 090	1		EV0		FILTER, Engine Oil
7	5300 7563	1		EV0		CONNECTOR, Oil Filter
8	5302 0827	1		EV0		PUMP, Engine Oil
9	6100 932	2		EV0		BOLT, Hex
10	5302 0890	1		EV0		HOUSING, Oil Fill
11	5302 0889	1		EV0		GASKET, Oil Fill Housing
12	5302 0880	1		EV0		CAP, Oil Filler
13	53020 678AB	1		EV0		PAN, Engine Oil
14	6504 810AA	17		EV0		SCREW AND WASHER, Hex
15	6502 647	2		ER0		STUD, M6x1.00x44
16	53020 675AB	1		EV0		GASKET, Oil Pan
17	5302 0828	1		EV0		TUBE, Oil Pickup
18	6102 046AA	1		EV0		SCREW AND WASHER
19	5302 0861	1		EV0		SEAL, Oil Pick Up Tube
20	6502 756	3		EV0		NUT, Hex Lock, M8x1.25
21	6505 504AA	4		EV0		SCREW
22	6504 894AA	1		EV0		SCREW, Oil sump

JEEP GRAND CHEROKEE (WJ)				
SERIES	LINE	BODY	ENGINE	TRANSMISSION
H=Laredo	J = 4WD	74 = 4 Door(105.9 WB)	ER0, ERH = 4.0L, Power Tech I-6	DGK = 4 Speed Autm, 42RE
P=Limited	T = 2WD		EV0, EVA = 4.7L, Power Tech V8	DGW = 4 Speed Automatic, -44RE
	U = 4WD (RHD)		EXA, EX0 = 3.1L, 5 Cyl Turbo Diesel	DG4 = Multi Speed Automatic, -45RFE
				DGO = All Automatic

AR = Use as required - = Non illustrated part # = New this model year

April 3, 2002

**Manifold, Intake and Exhaust 4.7L (EVA) Engine
Figure 4.7L-810**



ITEM	PART NUMBER	QTY	LINE	ENGINE	TRANS	DESCRIPTION
NOTE: EV0=All 4.7L Engines WD-Right Hand Drive---B=2 WD-Right Hand Drive						
1	53030 951AB	1		EV0		MANIFOLD, Intake
2	5301 0310	8		EV0		SEAL, Intake Manifold
3	6505 498AA	1		EV0		STUD
4	6505 499AA	2		EV0		SCREW
5	6505 500AA	8		EV0		STUD
6						MANIFOLD, Exhaust
	5303 0933	1		EV0		Left
	5303 0934	1		EV0		Right
7						GASKET, Exhaust Manifold
	5303 0812	1		EV0		Right
	5303 0813	1		EV0		Left
8	6505 257AA	4		EV0		STUD
9	6504 340	8		EV0		SCREW AND WASHER, Hex
10	6504 331	4		EV0		STUD
11						SHIELD, Exhaust Manifold
	5303 0815	1		EV0		Left
	5303 0940	1		EV0		Right
12	6505 316AA	8		EV0		NUT

JEEP GRAND CHEROKEE (WJ)

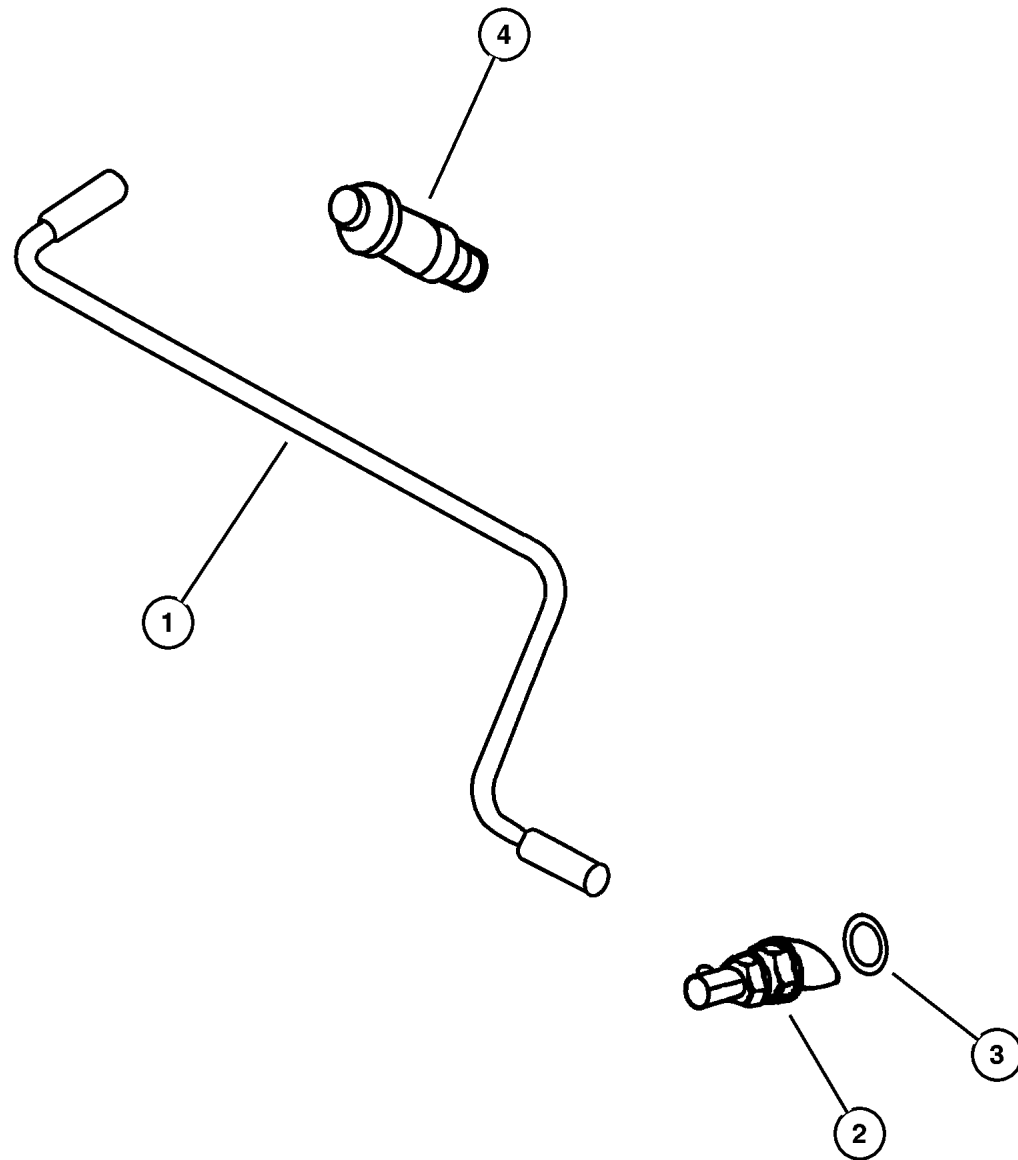
SERIES	LINE	BODY	ENGINE	TRANSMISSION
H=Laredo	J = 4WD	74 = 4 Door(105.9 WB)	ER0, ERH = 4.0L, Power Tech I-6	DGK = 4 Speed Autm, 42RE
P=Limited	T = 2WD		EV0, EVA = 4.7L, Power Tech V8	DGW = 4 Speed Automatic, -44RE
	U = 4WD (RHD)		EXA, EX0 = 3.1L, 5 Cyl Turbo Diesel	DG4 = Multi Speed Automatic, -45RFE
				DGO = All Automatic

AR = Use as required - = Non illustrated part # = New this model year

April 3, 2002

**Crankcase Ventilation 4.7L (EVA) Engine
Figure 4.7L-910**

ITEM	PART NUMBER	QTY	LINE	ENGINE	TRANS	DESCRIPTION
NOTE: EV0=All 4.7L Engines WD-Right Hand Drive---B=2 WD-Right Hand Drive						
1	5303 0851	1		EV0		TUBE, PCV Valve
2	53031 777AA	1		EV0		VALVE, Crankcase Vent
3	53031 711AA	1		EV0		O RING
4	5303 0850	2		EV0		BREATHER, Crankcase



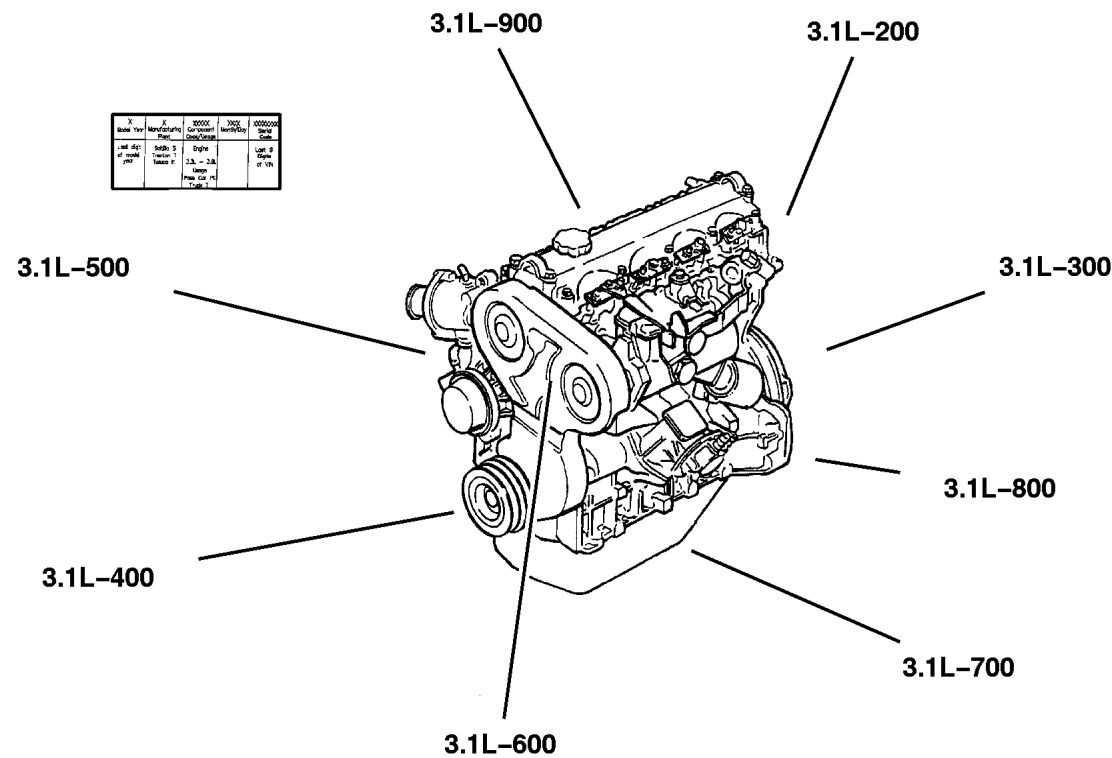
JEEP GRAND CHEROKEE (WJ)				
SERIES	LINE	BODY	ENGINE	TRANSMISSION
H=Laredo	J = 4WD	74 = 4 Door(105.9 WB)	ER0, ERH = 4.0L, Power Tech I-6	DGK = 4 Speed Autm, 42RE
P=Limited	T = 2WD		EV0, EVA = 4.7L, Power Tech V8	DGW = 4 Speed Automatic, -44RE
	U = 4WD (RHD)		EXA, EX0 = 3.1L, 5 Cyl Turbo Diesel	DG4 = Multi Speed Automatic, -45RFE
				DGO = All Automatic

AR = Use as required - = Non illustrated part # = New this model year

April 3, 2002

Group – 3.1L

Engine 3.1L Five Cylinder(Turbo Diesel)



3	4	50000	30000	300000
Year	Model	Year	Model	Year
1998	2.8L	1998	2.8L	1998
1999	2.8L	1999	2.8L	1999
2000	2.8L	2000	2.8L	2000
2001	2.8L	2001	2.8L	2001
2002	2.8L	2002	2.8L	2002

GROUP 3.1L - Engine 3.1L Five Cylinder(Turbo Diesel)

Illustration Title

Group-Fig. No.

Cylinder Head

Cylinder Head 3.1L (EXA) Diesel Engine Fig. 3.1L-210

Cylinder Block

Cylinder Block 3.1L (EXA) Diesel Engine Fig. 3.1L-310

Crankshaft, Piston and Torque Converter

Crankshaft, Piston and Torque Converter 3.1L (EXA) Diesel Engine Fig. 3.1L-410

Camshafts and Valves

Camshaft and Valves 3.1L (EXA) Diesel Engine Fig. 3.1L-510

Timing Belt and Cover

Timing Gear and Cover 3.1L (EXA) Diesel Engine Fig. 3.1L-610

Engine Oiling

Engine Oiling 3.1L (EXA) Diesel Engine Fig. 3.1L-710

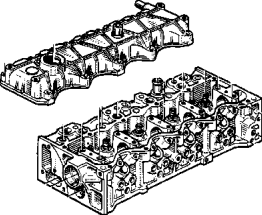
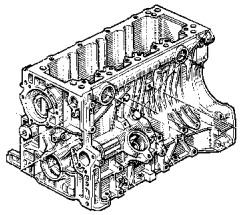
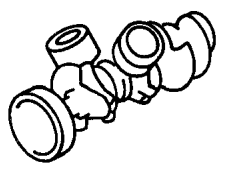
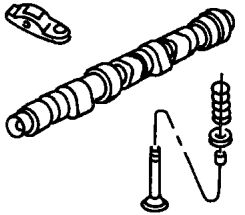
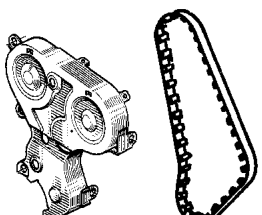
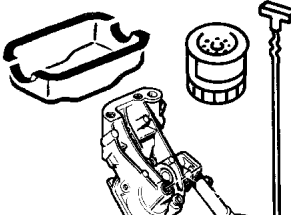
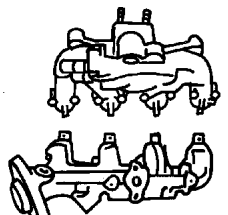
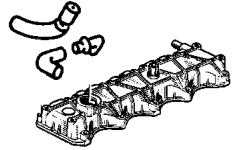
Oil Lines 3.1L (EXA) Diesel Engine Fig. 3.1L-720

Manifolds

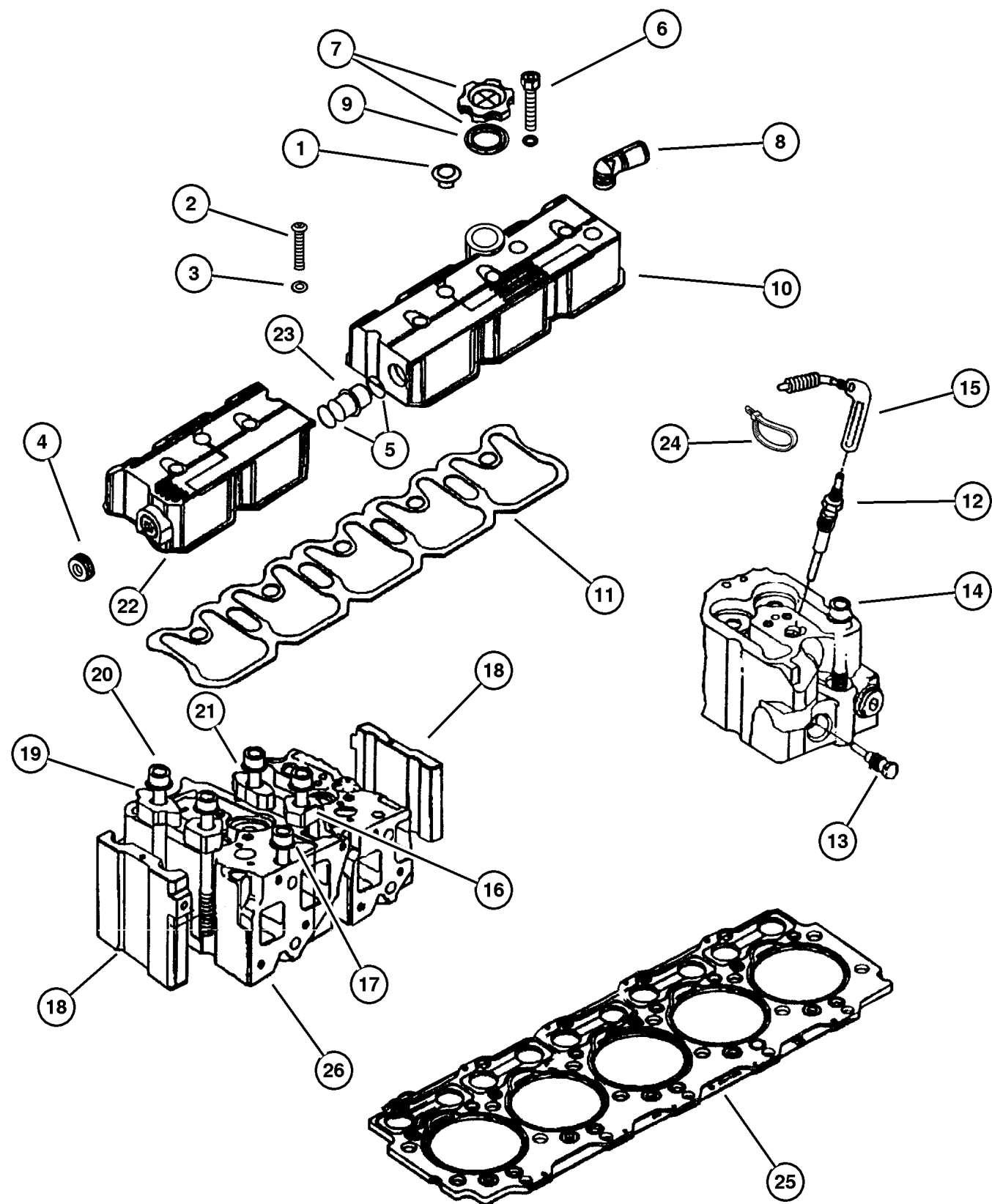
Manifold, Intake and Exhaust 3.1L (EXA) Diesel Engine Fig. 3.1L-810

Crankcase Ventilation

Crankcase Ventilation 3.1L (EXA) Diesel Engine Fig. 3.1L-910

<p>3.1L-200 Cylinder Head</p> 	<p>3.1L-300 Cylinder Block</p> 	<p>3.1L-400 Crankshaft, Piston and Torque Converter</p> 	<p>3.1L-500 Camshafts and Valves</p> 
<p>3.1L-600 Timing Belt and Cover</p> 	<p>3.1L-700 Engine Oiling</p> 	<p>3.1L-800 Manifolds</p> 	<p>3.1L-900 Crankcase Ventilation</p> 

Cylinder Head 3.1L (EXA) Diesel Engine
Figure 3.1L-210



ITEM	PART NUMBER	QTY	LINE	ENGINE	TRANS	DESCRIPTION
GASKET PACKAGE, Engine Upper and Lower, w/o Head Gaskets - 05015077AA WD-Right Hand Drive---B=2 WD-Right Hand Drive						
NOTE: EX0=All 3.1L Engines DG0=All Automatic Transmissions WD-Right Hand Drive---B=2 WD-Right Hand Drive						
1	4864 555	4		EX0	DG0	PLUG, Cylinder Block
2	5003 565AA	3		EX0	DG0	BOLT
3	4864 554	5		EX0	DG0	SEAL, Valve Cover Bolt
4	4723 169	1		EX0	DG0	PLUG, Cylinder Block Oil Hole
5	5014 987AA	2		EX0	DG0	O RING
6	4863 752	2		EX0	DG0	SCREW
7	4863 741	1		EX0	DG0	CAP, Oil Filler
8	5015 080AA	1		EX0	DG0	ADAPTER, Crankcase Vent
9	4720 300	1		EX0	DG0	GASKET, Oil Filler Cap
10	5015 078AA	1		EX0	DG0	COVER, Cylinder Head
11	5014 986AA	1		EX0	DG0	GASKET, Valve Cover
12	4863 826	5		EX0	DG0	GLOW PLUG
13	4863 770	5		EX0	DG0	PLUG, Dummy
14	4720 671AB	5		EX0	DG0	BOLT, Cylinder Head
15	5015 065AA	1		EX0	DG0	WIRING, Glow Plug
16	4864 038	6		EX0	DG0	CLAMP, Cylinder Head
17	4720 233AB	5		EX0	DG0	BOLT, Cylinder Head
18	4882 407	2		EX0	DG0	CLAMP, Cylinder Head
19	4864 039	2		EX0	DG0	CLAMP, Cylinder Head
20	4720 235AC	12		EX0	DG0	BOLT, Cylinder Head
21	4864 040	4		EX0	DG0	CLAMP, Cylinder Head
22	5015 079AA	1		EX0	DG0	COVER, Cylinder Head
23	5014 985AA	1		EX0	DG0	SLEEVE, Insert
24	4728 184	3		EX0	DG0	CLIP, Spill Return Pipe
25	5014 982AA	1		EX0	DG0	1.41
	5014 983AA	1		EX0	DG0	1.51
	5014 984AA	1		EX0	DG0	1.61
26	4883 416AB	5		EX0	DG0	HEAD, Cylinder

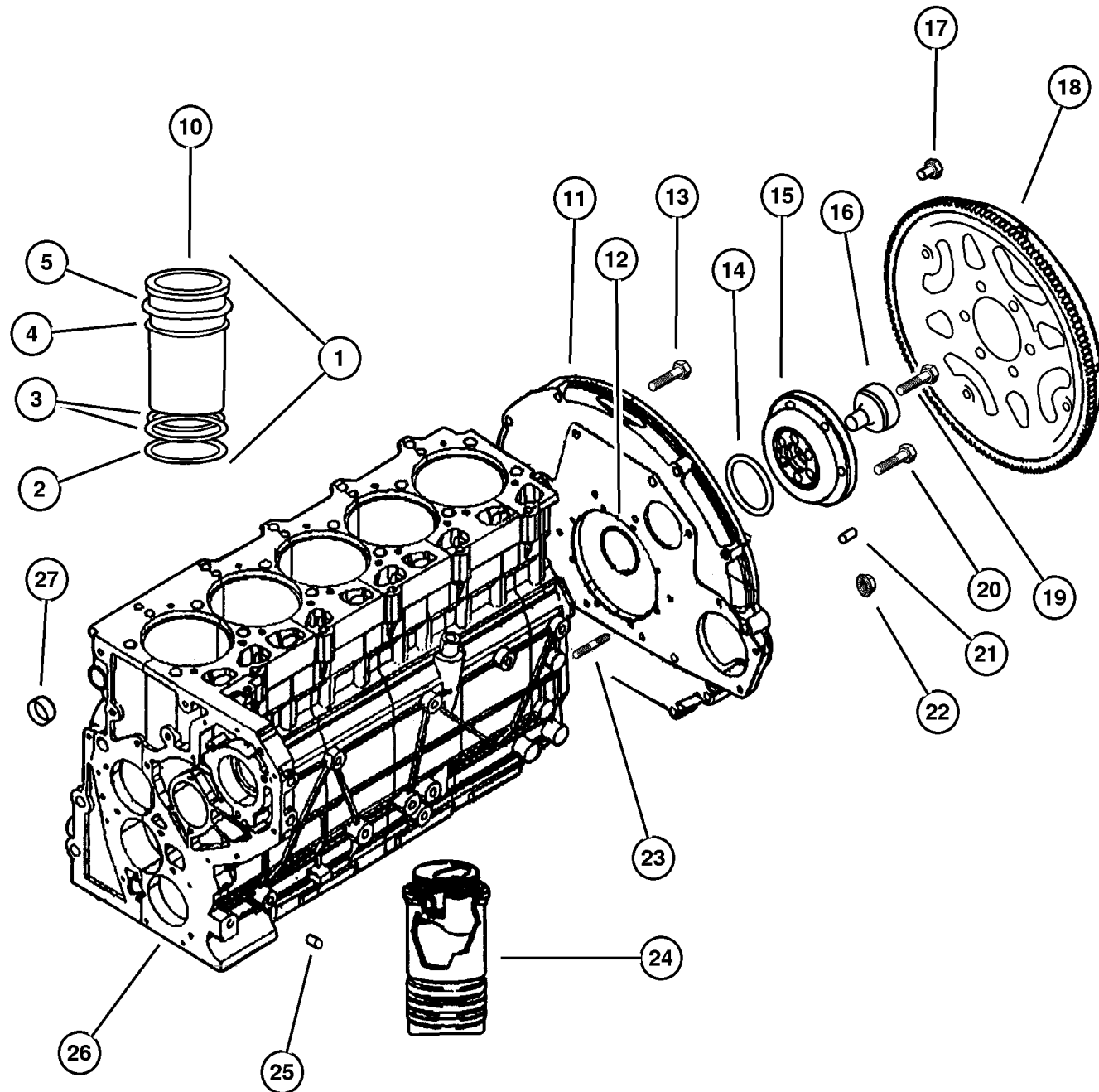
JEEP GRAND CHEROKEE (WJ)

SERIES	LINE	BODY	ENGINE	TRANSMISSION
H=Laredo	J = 4WD	74 = 4 Door(105.9 WB)	ER0, ERH = 4.0L, Power Tech I-6	DGK = 4 Speed Autm, 42RE
P=Limited	T = 2WD		EV0, EVA = 4.7L, Power Tech V8	DGW = 4 Speed Automatic, -44RE
	U = 4WD (RHD)		EXA, EX0 = 3.1L, 5 Cyl Turbo Diesel	DG4 = Multi Speed Automatic, -45RFE
				DGO = All Automatic

AR = Use as required - = Non illustrated part # = New this model year

April 3, 2002

Cylinder Block 3.1L (EXA) Diesel Engine Figure 3.1L-310



ITEM	PART NUMBER	QTY	LINE	ENGINE	TRANS	DESCRIPTION
Note: WD-Right Hand Drive---B=2 WD-Right Hand Drive						
DG0 = All Automatic Transmissions WD-Right Hand Drive---B=2 WD-Right Hand Drive						
EX0 = All Turbo Diesel Engines WD-Right Hand Drive---B=2 WD-Right Hand Drive						
GASKET PACKAGE, Engine Upper and Lower, w/o Head Gaskets - 05015077AA WD-Right Hand Drive---B=2 WD-Right Hand Drive						
1	4723 118	5		EX0	DG0	SHIM KIT, Cylinder Liner
2	4720 625	5		EX0	DG0	O RING, Cylinder Liner
3	4720 627	10		EX0	DG0	O RING, Cylinder Liner
4	4720 626	5		EX0	DG0	O RING, Cylinder Liner
5	4720 622	5		EX0	DG0	SHIM, Cylinder Liner, 0.25mm
-6	4720 623	5		EX0	DG0	SHIM, Cylinder Liner, 0.23mm
-7	4720 621	5		EX0	DG0	SHIM, Cylinder Liner, 0.20mm
-8	4720 624	5		EX0	DG0	SHIM, Cylinder Liner, 0.17mm
-9	4720 620	5		EX0	DG0	SHIM, Cylinder Liner, 0.15mm
10	5014 328AA	5		EX0	DG0	LINER, Cylinder
11	5015 044AA	1		EX0	DG0	PLATE
12	4863 833	1		EX0	DG0	O RING
13	5003 532AA	4		EX0	DG0	BOLT, Adaptor Plate
14	5014 970AA	1		EX0	DG0	O RING
15	5014 967AA	1		EX0	DG0	HUB, Torque Converter
16	5014 974AA	1		EX0	DG0	SHAFT, Torque
17	5014 969AA	6		EX0	DG0	BOLT, Flexplate
18	5211 8776	1		EX0	DG0	PLATE, Torque Converter Drive
19	4720 232AB	6		EX0	DG0	BOLT, Flywheel
20	4864 537	1		EX0	DG0	BOLT, 8Mx20
21	5015 045AA	2		EX0	DG0	DOWEL, Transmission Adapter
22	4778 961	6		EX0	DG0	NUT
23	4720 550	6		EX0	DG0	STUD, Water Pump To Block
24	5014 329AA	5		EX0	DG0	LINER AND PISTON, Cylinder
25	4883 425AA	1		EX0	DG0	PLUG
26	5014 965AA	1		EX0	DG0	BLOCK, Cylinder
27	4778 887	1		EX0	DG0	PLUG, Cylinder Block Oil Hole

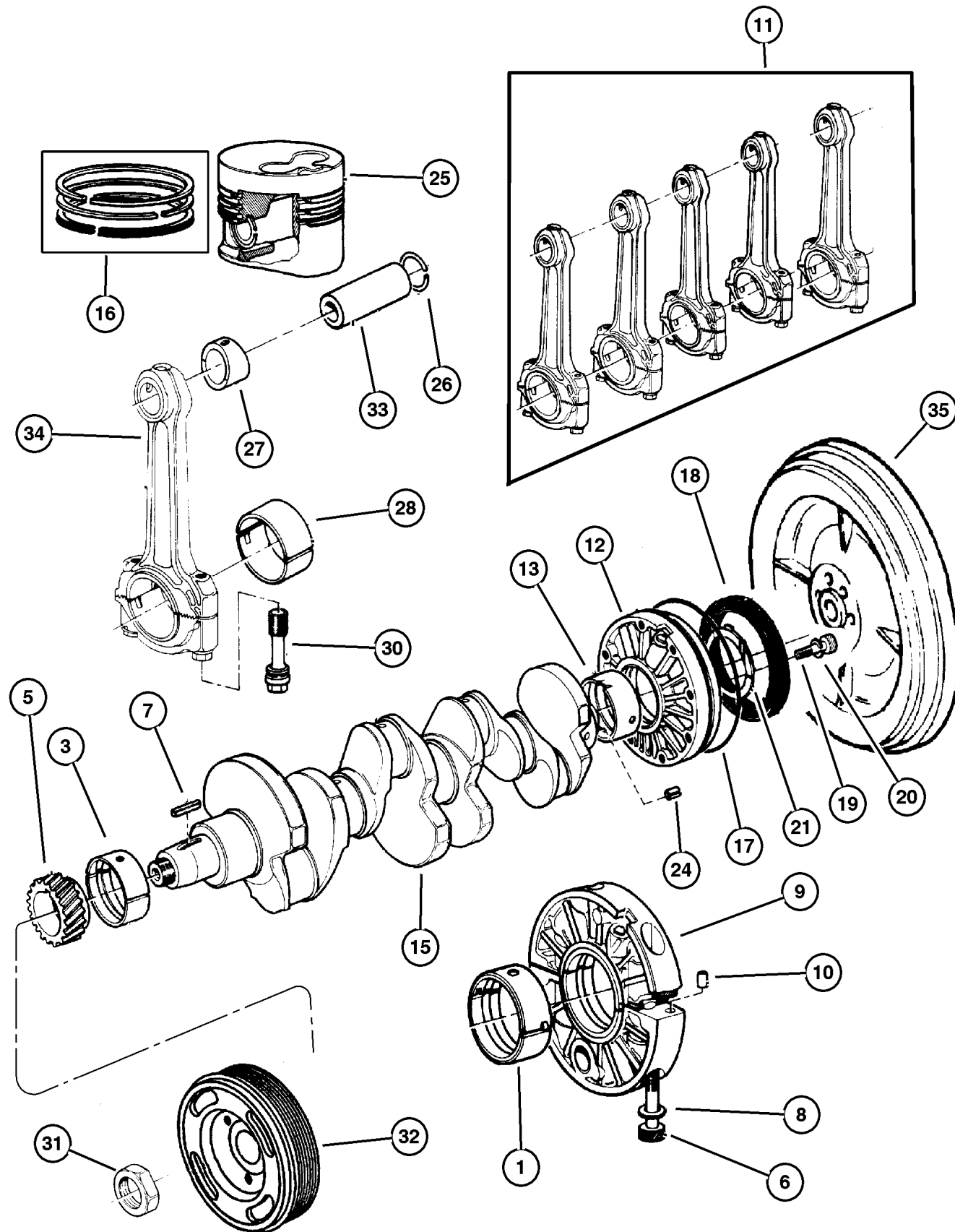
JEEP GRAND CHEROKEE (WJ)

SERIES	LINE	BODY	ENGINE	TRANSMISSION
H=Laredo	J = 4WD	74 = 4 Door(105.9 WB)	ER0, ERH = 4.0L, Power Tech I-6	DGK = 4 Speed Autm, 42RE
P=Limited	T = 2WD		EV0, EVA = 4.7L, Power Tech V8	DGW = 4 Speed Automatic, -44RE
	U = 4WD (RHD)		EXA, EX0 = 3.1L, 5 Cyl Turbo Diesel	DG4 = Multi Speed Automatic, -45RFE
				DGO = All Automatic

AR = Use as required - = Non illustrated part # = New this model year

April 3, 2002

Crankshaft, Piston and Torque Converter 3.1L (EXA) Diesel Engine Figure 3.1L-410



ITEM	PART NUMBER	QTY	LINE	ENGINE	TRANS	DESCRIPTION
NOTE: EX0=All 3.1L Engines DG0=All Automatic Transmission WD=Right Hand Drive---B=2 WD-Right Hand Drive						
1	4720 892	4		EX0	DG0	BEARING, Crankshaft
-2	4720 889	4		EX0	DG0	BEARING, Crankshaft
3	4720 887	1		EX0	DG0	BEARING, Crankshaft
-4	4720 885	1		EX0	DG0	BEARING, Crankshaft
5	4882 402	1		EX0	DG0	GEAR, Crankshaft
6	4720 242	10		EX0	DG0	SCREW
7	5014 980AA	1		EX0	DG0	KEY, Woodruff
8	4720 243	10		EX0	DG0	WASHER, Lock, M10
9	4863 711	4		EX0	DG0	HOUSING, Crankshaft Bearing
10	4720 241	10		EX0	DG0	DOWEL, Center Bearing Housing
11	5015 002AA	1		EX0	DG0	ROD, Connecting
12	5014 975AA	1		EX0	DG0	HOUSING, Rear Bearing
13	4864 539	1		EX0	DG0	BEARING, Crankshaft
-14	4864 541	1		EX0	DG0	BEARING, Crankshaft
15	5014 971AA	1		EX0	DG0	CRANKSHAFT
16	5014 333AA	5		EX0	DG0	RING KIT, Piston, Standard
17	4720 277	1		EX0	DG0	O RING, Crankshaft Rear Support
18	5010 817AA	1		EX0	DG0	SEAL, Rear Main Crankshaft
19	4720 284	8		EX0	DG0	SCREW, Rear Crankshaft Support
20	4723 204	8		EX0	DG0	WASHER, Implement Attaching
21	4864 046	1		EX0	DG0	WASHER, Thrust
-22	4864 543	1		EX0	DG0	WASHER, Thrust, 0.10 Oversize
-23	4864 544	1		EX0	DG0	WASHER, Thrust, 0.20 Oversize
24	4723 158AB	1		EX0	DG0	PIN, Dowel
25	5014 332AA	5		EX0	DG0	PISTON
26	4720 099	10		EX0	DG0	RING, Piston Pin
27	5014 331AA	5		EX0	DG0	BUSHING, Connecting Rod
28	4720 877	5		EX0	DG0	BUSHING, Connecting Rod
-29	4720 883	5		EX0	DG0	BEARING, Connecting Rod, .25 mm U/S
30	4883 386AB	10		EX0	DG0	BOLT, Connecting Rod
31	4720 273	1		EX0	DG0	NUT, Damper Pulley
32						DAMPER, Crankshaft
	5014 979AA	1		EX0	DG0	
	3300 2920	1		ER0		Use Up to 2/11/00
	#33002 920AB	1		ER0		Use After 2/11/00
33						PIN, Piston, Serviced in Piston, (NOT SERVICED)
34						ROD, Connecting, Serviced in Piston, (NOT SERVICED)
35	5211 8861	1		EX0	DG0	CONVERTER, Torque

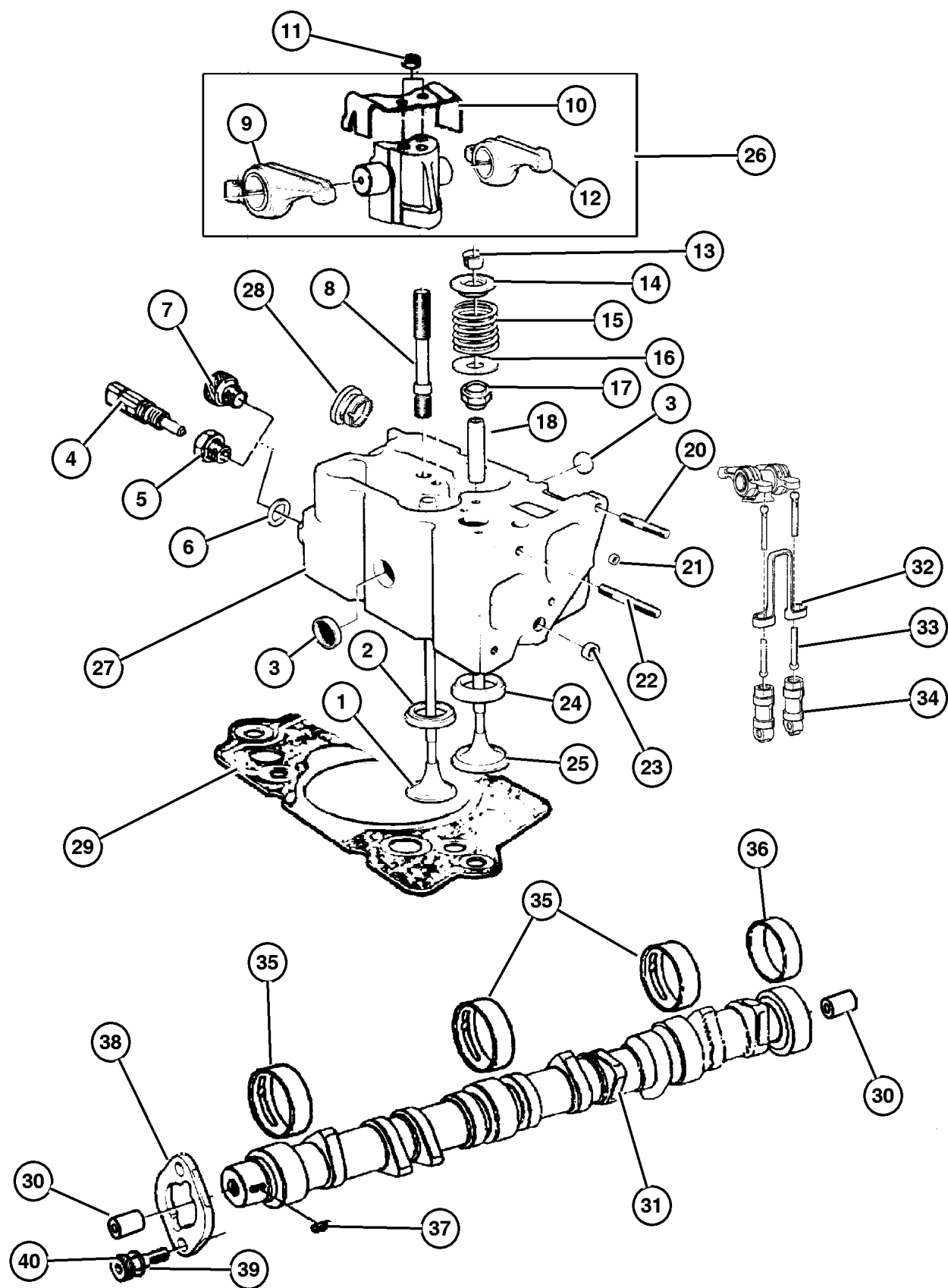
JEEP GRAND CHEROKEE (WJ)

SERIES	LINE	BODY	ENGINE	TRANSMISSION
H=Laredo	J = 4WD	74 = 4 Door(105.9 WB)	ER0, ERH = 4.0L, Power Tech I-6	DGK = 4 Speed Autm, 42RE
P=Limited	T = 2WD		EV0, EVA = 4.7L, Power Tech V8	DGW = 4 Speed Automatic, -44RE
	U = 4WD (RHD)		EXA, EX0 = 3.1L, 5 Cyl Turbo Diesel	DG4 = Multi Speed Automatic, -45RFE
				DGO = All Automatic

AR = Use as required - = Non illustrated part # = New this model year

April 3, 2002

Camshaft and Valves 3.1L (EXA) Diesel Engine Figure 3.1L-510



ITEM	PART NUMBER	QTY	LINE	ENGINE	TRANS	DESCRIPTION
NOTE: EX0=All 3.1L Engines DG0=All Automatic Transmissions WD-Right Hand Drive---B=2 WD-Right Hand Drive						
1	4720 148	5		EX0	DG0	VALVE, Exhaust, Standard
2	4723 244	5		EX0	DG0	SEAT, Exhaust Valve, 0.30mm Oversize
3	4723 228	10		EX0	DG0	PLUG, Cylinder Block Oil Hole
4	5014 067AA	2		EX0	DG0	SENSOR, Temperature Sending Unit
5	5014 065AA	2		EX0	DG0	ADAPTER, Temperature Sensor
6	4723 246	5		EX0	DG0	WASHER, Plain
7	4720 159	3		EX0	DG0	PLUG, Cylinder Block Oil Hole
8	4897 831AA	10		EX0	DG0	STUD
9	4883 399AA	5		EX0	DG0	ROCKER ARM, Exhaust
10	4863 861	5		EX0	DG0	SPRING, Valve
11	4883 396AA	10		EX0	DG0	NUT
12	4883 398AA	5		EX0	DG0	ROCKER ARM, Intake
13	4720 155	20		EX0	DG0	LOCK, Valve Spring Retainer
14	4720 152	10		EX0	DG0	RETAINER, Valve Spring
15	4720 158	10		EX0	DG0	SPRING, Valve
16	4720 153	10		EX0	DG0	WASHER, Plain
17	4883 821AA	10		EX0	DG0	SEAL, Valve Guide
18	4883 417AA	10		EX0	DG0	GUIDE, Intake/Exhaust Valve, Standard Size
19	4883 820AA	10		EX0	DG0	GUIDE, Intake/Exhaust Valve, 0.10mm Oversize
20	4723 241	10		EX0	DG0	STUD
21	4723 196AB	5		EX0	DG0	PLUG, Camshaft
22	4882 405	10		EX0	DG0	STUD
23	4723 210	5		EX0	DG0	PLUG, Cylinder Block Oil Hole
24	4723 245	5		EX0	DG0	SEAT, Intake Valve, 0.30mm Oversize
25	4720 146	5		EX0	DG0	VALVE, Intake, Standard
26	4883 397AA	5		EX0	DG0	ROCKER ARM, Inlet and Exhaust Valve
27	4883 416AB	5		EX0	DG0	HEAD, Cylinder
28	4863 769	5		EX0	DG0	PLUG
29						GASKET, Cylinder Head
	5014 982AA	1		EX0	DG0	1.41
	5014 983AA	1		EX0	DG0	1.51
	5014 984AA	1		EX0	DG0	1.61
30	4723 196AB	2		EX0	DG0	PLUG, Camshaft
31	5014 981AA	1		EX0	DG0	CAMSHAFT, Engine
32	#4773 701AB	5		EX0	DG0	BRACKET, Antirotation
33	4883 395AA	10		EX0	DG0	PUSH ROD, Valve
34	4773 712	10		EX0	DG0	TAPPET, Valve
35	4720 220	3		EX0	DG0	BEARING, Camshaft
36	5014 966AA	1		EX0	DG0	BEARING, Camshaft
37	4720 137	1		EX0	DG0	KEY, Camshaft Sprocket
38	4723 163	1		EX0	DG0	PLATE, Camshaft Thrust

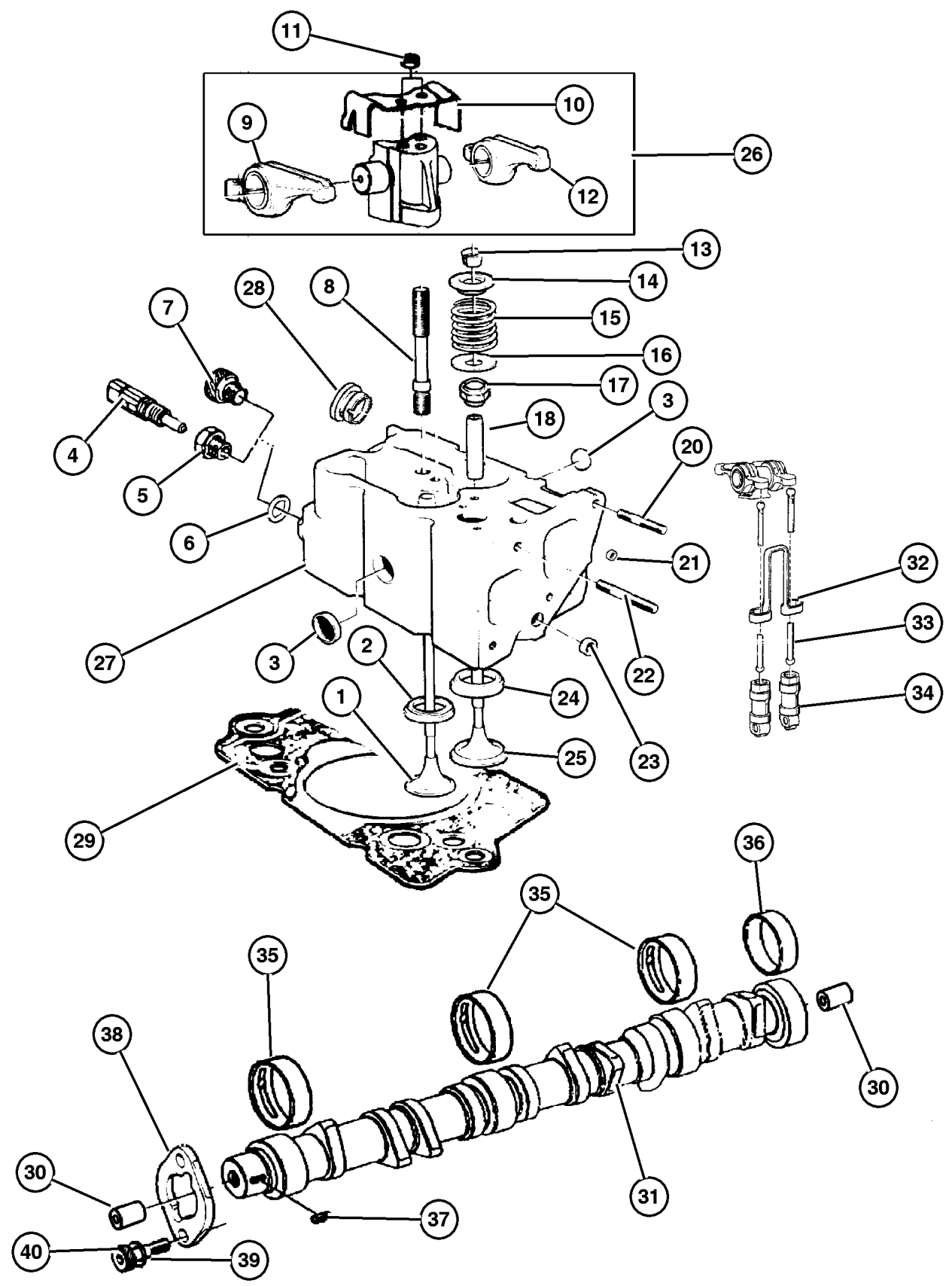
JEEP GRAND CHEROKEE (WJ)

SERIES	LINE	BODY	ENGINE	TRANSMISSION
H=Laredo	J = 4WD	74 = 4 Door(105.9 WB)	ER0, ERH = 4.0L, Power Tech I-6	DGK = 4 Speed Autm, 42RE
P=Limited	T = 2WD		EV0, EVA = 4.7L, Power Tech V8	DGW = 4 Speed Automatic, -44RE
	U = 4WD (RHD)		EXA, EX0 = 3.1L, 5 Cyl Turbo Diesel	DG4 = Multi Speed Automatic, -45RFE
				DGO = All Automatic

AR = Use as required - = Non illustrated part # = New this model year

April 3, 2002

Camshaft and Valves 3.1L (EXA) Diesel Engine Figure 3.1L-510



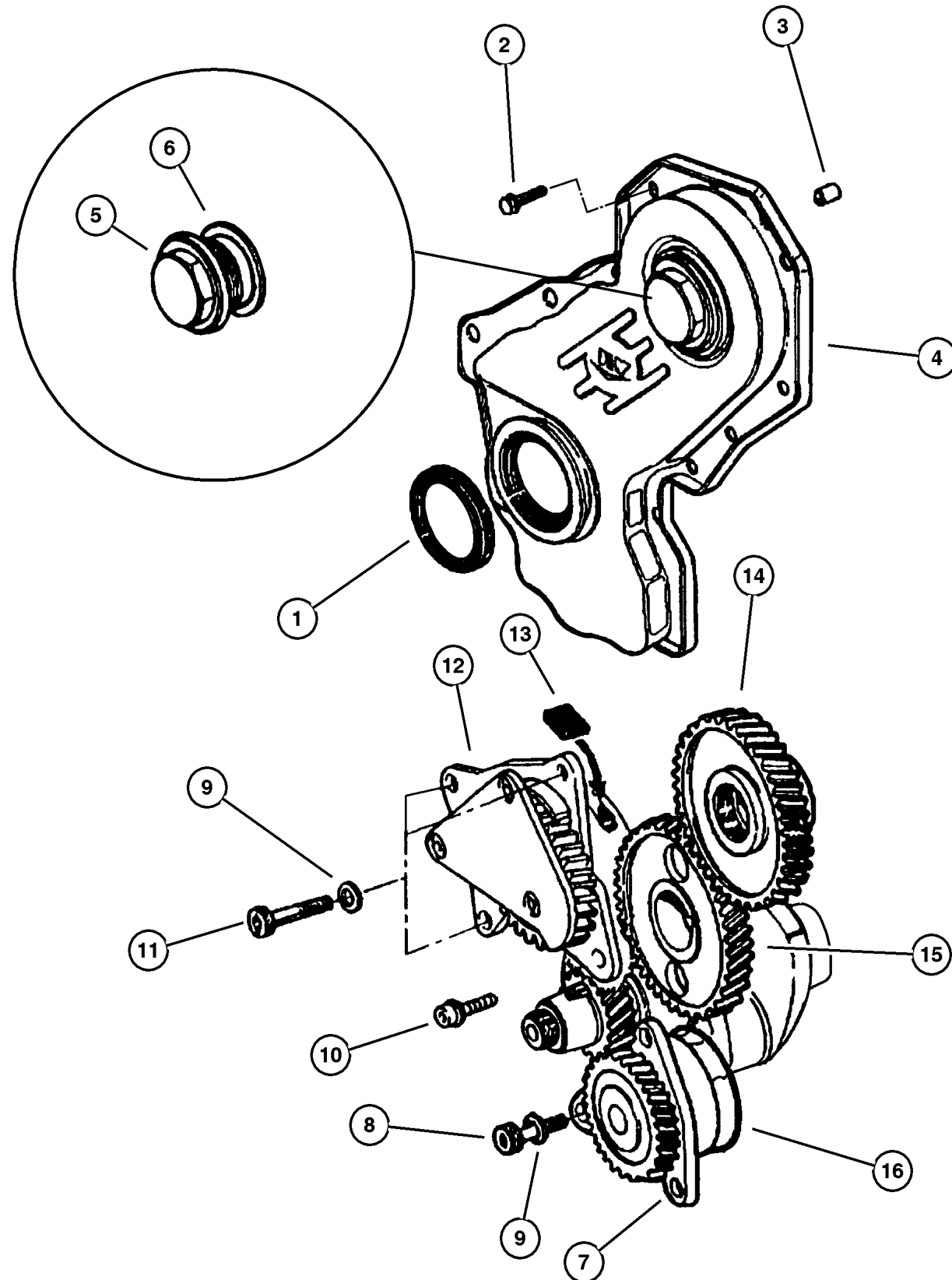
ITEM	PART NUMBER	QTY	LINE	ENGINE	TRANS	DESCRIPTION
39	4723 165	2		EX0	DG0	WASHER, P Clip
40	4720 135	5		EX0	DG0	BOLT, Hex Head, M8x18

JEEP GRAND CHEROKEE (WJ)				
SERIES	LINE	BODY	ENGINE	TRANSMISSION
H=Laredo	J = 4WD	74 = 4 Door(105.9 WB)	ER0, ERH = 4.0L, Power Tech I-6	DGK = 4 Speed Autm, 42RE
P=Limited	T = 2WD		EV0, EVA = 4.7L, Power Tech V8	DGW = 4 Speed Automatic, -44RE
	U = 4WD (RHD)		EXA, EX0 = 3.1L, 5 Cyl Turbo Diesel	DG4 = Multi Speed Automatic, -45RFE
				DGO = All Automatic

AR = Use as required - = Non illustrated part # = New this model year

April 3, 2002

**Timing Gear and Cover 3.1L (EXA) Diesel Engine
Figure 3.1L-610**



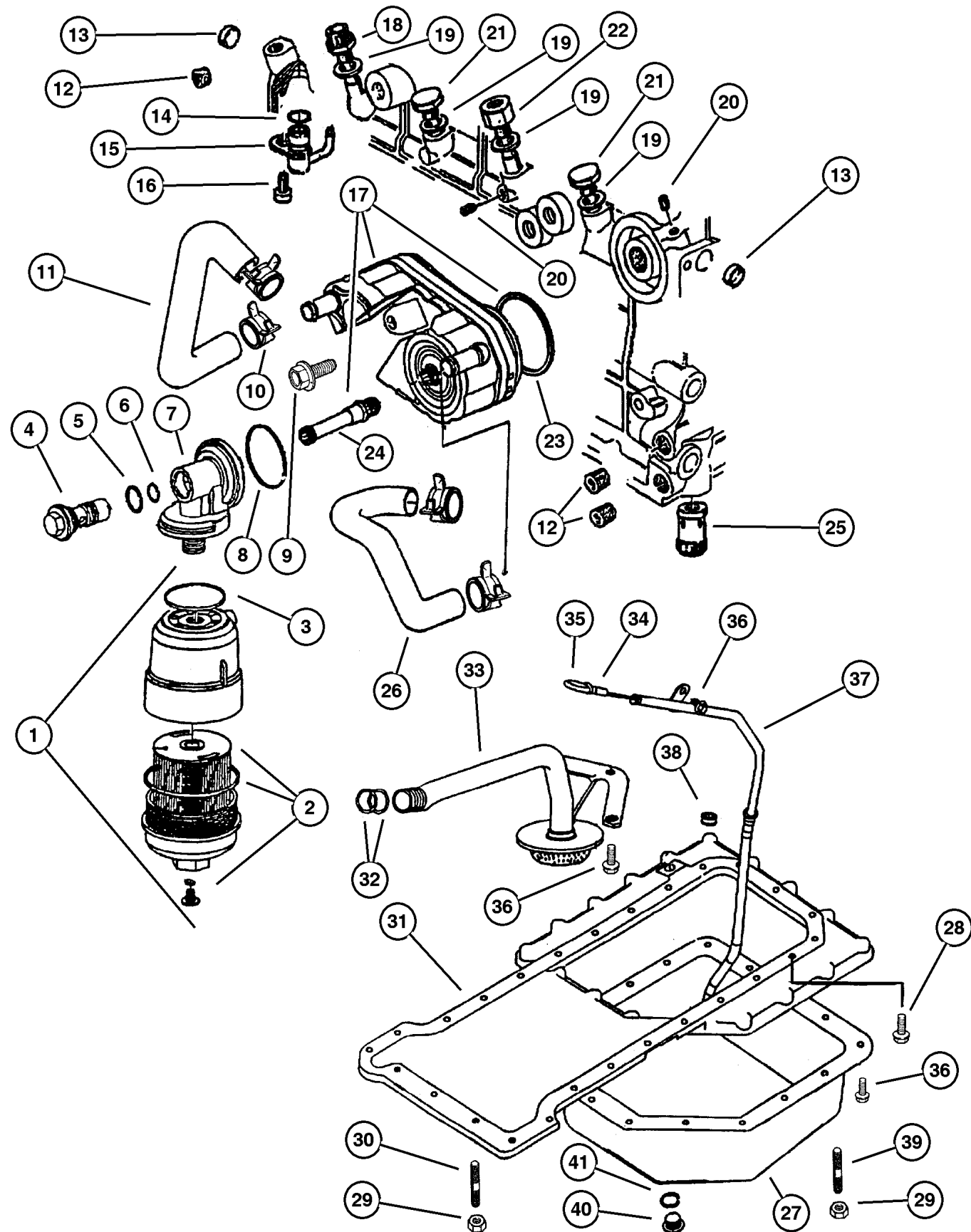
ITEM	PART NUMBER	QTY	LINE	ENGINE	TRANS	DESCRIPTION
NOTE: EX0=All 3.1L Engines DG0=All Automatic Transmissions WD-Right Hand Drive---B=2 WD-Right Hand Drive						
1	5010 856AA	1		EX0	DG0	SEAL, Timing Belt Cover
2	5003 551AA	15		EX0	DG0	BOLT, M6x10
3	4720 304	2		EX0	DG0	DOWEL, Front Cover
4	5010 853AA	1		EX0	DG0	COVER, Timing Belt
5	4778 839	1		EX0	DG0	COVER, Timing Belt
6	4720 290	1		EX0	DG0	GASKET, Engine Oil Plug
7	5015 006AA	1		EX0	DG0	PUMP, Engine Oil
8	4720 135	5		EX0	DG0	BOLT, Hex Head, M8x18
9	4720 565	6		EX0	DG0	WASHER, Tube Bolt
10	5003 539AA	1		EX0	DG0	BOLT
11	4720 136	3		EX0	DG0	BOLT, Hex Head, M8x20
12	5003 716AB	1		EX0	DG0	PUMP, Vacuum
13	5010 821AA	3		EX0	DG0	INSERT, Vacuum Pump Rotor
14	4882 412	1		EX0	DG0	GEAR, Injection Pump
15	4882 403	1		EX0	DG0	GEAR, Camshaft
16	4720 239	1		EX0	DG0	O RING, Adaptor Plate

JEEP GRAND CHEROKEE (WJ)				
SERIES	LINE	BODY	ENGINE	TRANSMISSION
H=Laredo	J = 4WD	74 = 4 Door(105.9 WB)	ER0, ERH = 4.0L, Power Tech I-6	DGK = 4 Speed Autm, 42RE
P=Limited	T = 2WD		EV0, EVA = 4.7L, Power Tech V8	DGW = 4 Speed Automatic, -44RE
	U = 4WD (RHD)		EXA, EX0 = 3.1L, 5 Cyl Turbo Diesel	DG4 = Multi Speed Automatic, -45RFE
				DGO = All Automatic

AR = Use as required - = Non illustrated part # = New this model year

April 3, 2002

Engine Oiling 3.1L (EXA) Diesel Engine Figure 3.1L-710



ITEM	PART NUMBER	QTY	LINE	ENGINE	TRANS	DESCRIPTION
NOTE: EX0=All 3.1L Engines DG0=All Automatic Transmissions WD-Right Hand Drive---B=2 WD-Right Hand Drive						
1	5003 594AA	1		EX0	DG0	FILTER, Engine Oil
2	5015 171AA	1		EX0	DG0	FILTER, Engine Oil
3	5015 172AA	1		EX0	DG0	GASKET, Oil Filter Head
4	5015 063AA	1		EX0	DG0	BOLT
5	4723 334	1		EX0	DG0	GASKET, Valve
6	4886 305AA	1		EX0	DG0	O RING, Oil Filter Adapter
7	4883 526AA	1		EX0	DG0	BASE, Oil Filter
8	4720 375	1		EX0	DG0	O RING, Oil Filter Base
9	5003 724AA	1		EX0	DG0	SCREW
10	4883 924AA	1		EX0	DG0	CLAMP, Heater Hose
11	5015 052AA	1		EX0	DG0	HOSE, Engine Oil Cooler
12	4864 753	1		EX0	DG0	PLUG
13	4723 211	2		EX0	DG0	PLUG, Cylinder Block Oil Hole
14	4864 689	5		EX0	DG0	O RING
15	4864 041AB	5		EX0	DG0	JET, Valve Body
16	4882 620	5		EX0	DG0	SCREW
17	5014 360AA	1		EX0	DG0	COOLER, Engine Oil
18	4720 709	1		EX0	DG0	BOLT, Turbo Oil Feed Adapter
19	4720 704	1		EX0	DG0	WASHER, Oil Pressure Transducer
20	4883 424AA	2		EX0	DG0	PLUG, Cylinder Block
21	4720 726	2		EX0	DG0	BOLT, Oil Feed To Turbo Adapter
22	5015 007AA	1		EX0	DG0	PIN
23	4723 217	1		EX0	DG0	O RING, Oil Cooler
24	5015 178AA	1		EX0	DG0	FITTING, Engine Oil Cooler
25	5003 543AA	1		EX0	DG0	VALVE, Oil Pressure Relief
26	5014 358AA	1		EX0	DG0	HOSE, Engine Oil Cooler
27	5015 059AA	1		EX0	DG0	PAN, Oil
28						SCREW
	4864 551	23		EX0	DG0	
		1		EX0	DG0	
29	4778 936	4		EX0	DG0	NUT, Suction Pipe Attaching
30	5015 062AA	3		EX0	DG0	STUD
31	5015 060AA	1		EX0	DG0	PAN, Engine Oil
32	4720 374	2		EX0	DG0	O RING, Oil Suction Tube
33	5015 061AA	1		EX0	DG0	PICKUP, Engine Oil
34	4720 373	1		EX0	DG0	O RING, Engine Oil Indicator
35	5015 051AA	1		EX0	DG0	INDICATOR, Engine Oil Level
36	5003 551AA	15		EX0	DG0	BOLT, M6x10
37	5015 053AA	1		EX0	DG0	TUBE, Oil Gauge
38	4720 362	1		EX0	DG0	GASKET, Engine Oil Indicator Pipe
39	4864 745	1		EX0	DG0	BOLT

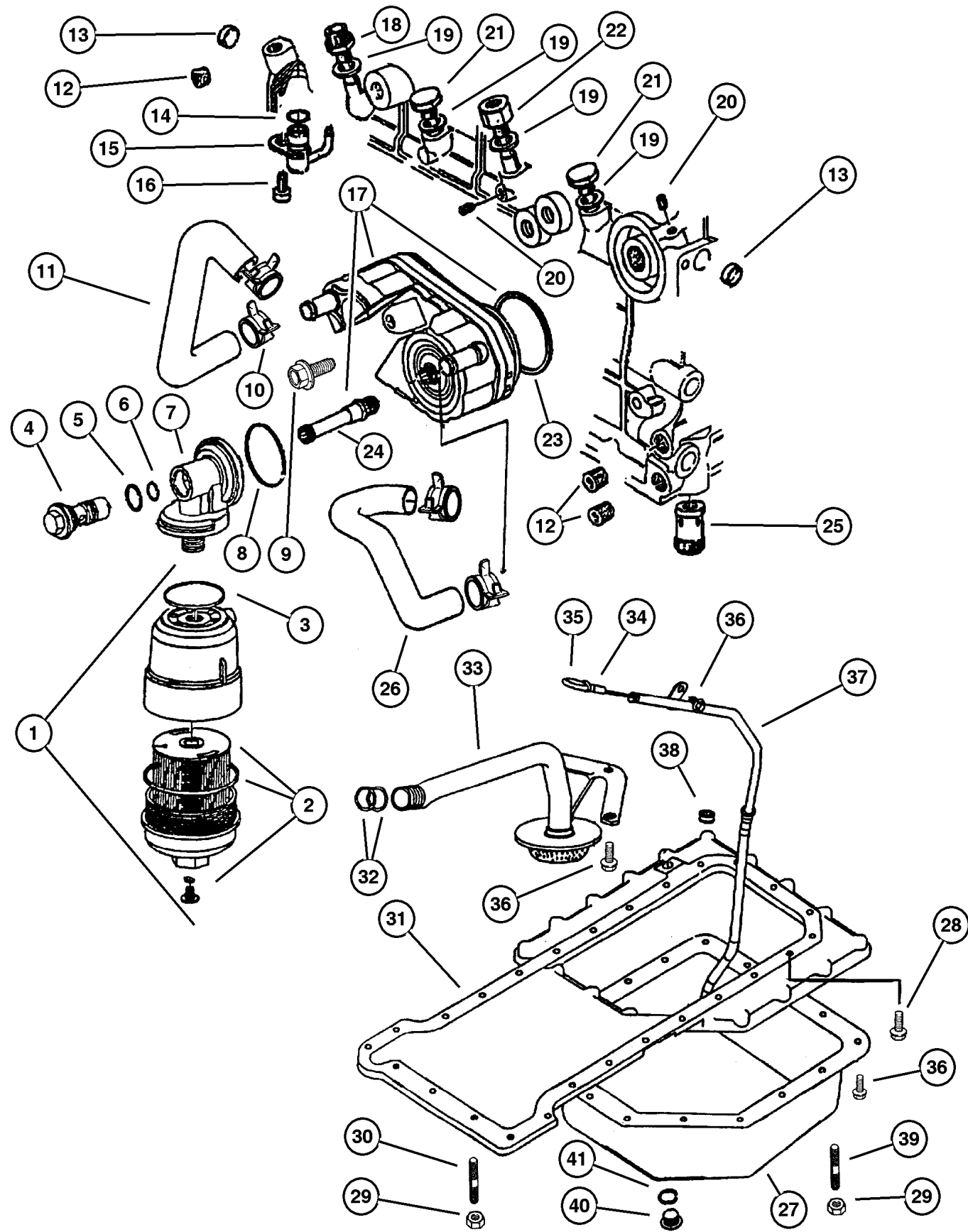
JEEP GRAND CHEROKEE (WJ)

SERIES	LINE	BODY	ENGINE	TRANSMISSION
H=Laredo	J = 4WD	74 = 4 Door(105.9 WB)	ER0, ERH = 4.0L, Power Tech I-6	DGK = 4 Speed Autm, 42RE
P=Limited	T = 2WD		EV0, EVA = 4.7L, Power Tech V8	DGW = 4 Speed Automatic, -44RE
	U = 4WD (RHD)		EXA, EX0 = 3.1L, 5 Cyl Turbo Diesel	DG4 = Multi Speed Automatic, -45RFE
				DGO = All Automatic

AR = Use as required - = Non illustrated part # = New this model year

April 3, 2002

**Engine Oiling 3.1L (EXA) Diesel Engine
Figure 3.1L-710**



ITEM	PART NUMBER	QTY	LINE	ENGINE	TRANS	DESCRIPTION
40	4720 352	1		EX0	DG0	PLUG, Oil Drain
41	4720 353	1		EX0	DG0	WASHER, Plain

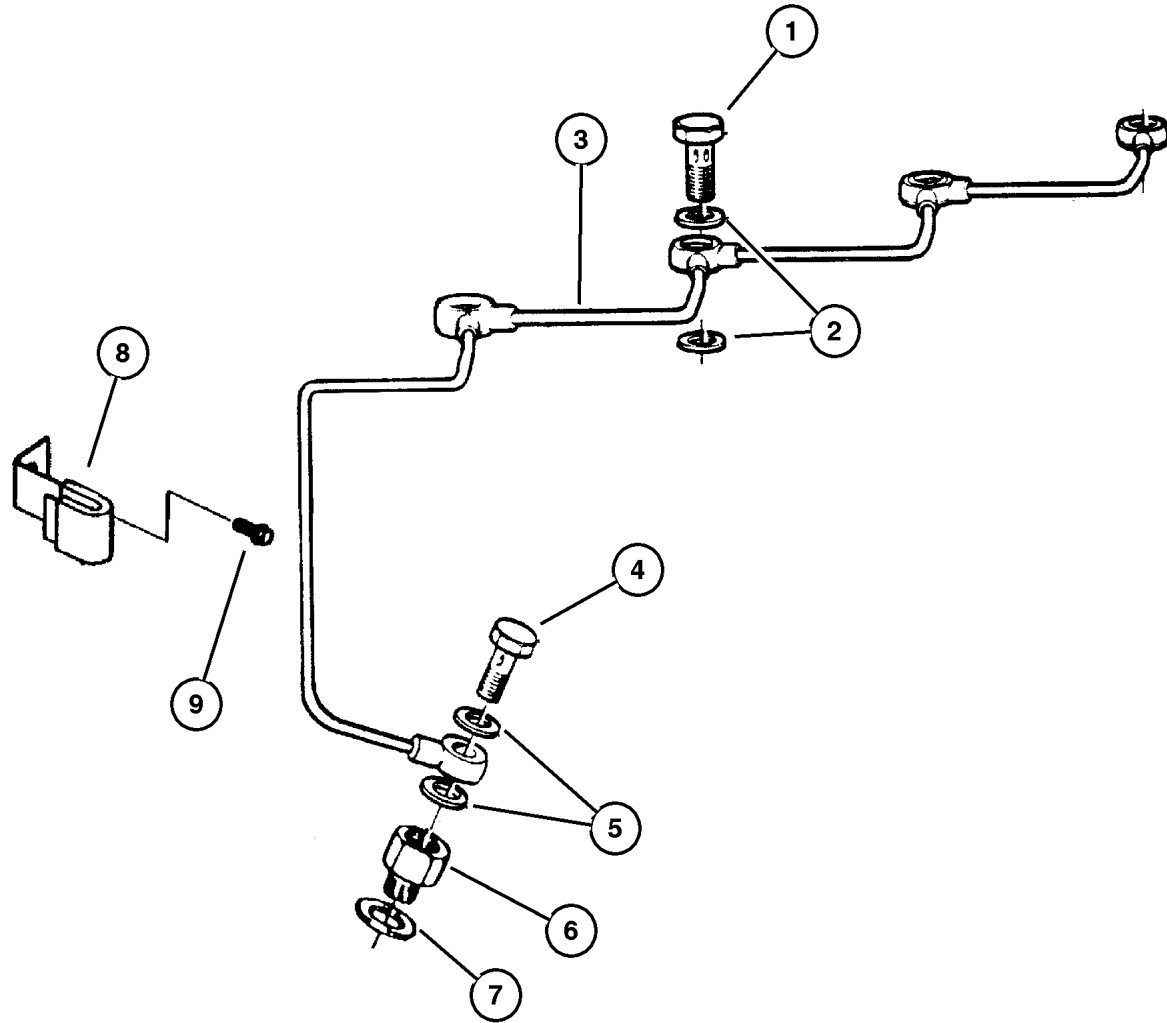
JEEP GRAND CHEROKEE (WJ)

SERIES	LINE	BODY	ENGINE	TRANSMISSION
H=Laredo	J = 4WD	74 = 4 Door(105.9 WB)	ER0, ERH = 4.0L, Power Tech I-6	DGK = 4 Speed Autm, 42RE
P=Limited	T = 2WD		EVO, EVA = 4.7L, Power Tech V8	DGW = 4 Speed Automatic, -44RE
	U = 4WD (RHD)		EXA, EX0 = 3.1L, 5 Cyl Turbo Diesel	DG4 = Multi Speed Automatic, -45RFE
				DGO = All Automatic

AR = Use as required - = Non illustrated part # = New this model year

April 3, 2002

**Oil Lines 3.1L (EXA) Diesel Engine
Figure 3.1L-720**



ITEM	PART NUMBER	QTY	LINE	ENGINE	TRANS	DESCRIPTION
------	-------------	-----	------	--------	-------	-------------

NOTE: EX0=All 3.1L Engines DG0=All Automatic Transmissions WD-Right Hand Drive---B=2 WD-Right Hand Drive

1	4720 358	6		EX0	DG0	BOLT, Banjo
2	4720 554	12		EX0	DG0	WASHER, Banjo
3	5015 005AA	1		EX0	DG0	TUBE, Oil Feed
4	4720 358	6		EX0	DG0	BOLT, Banjo
5	4720 554	12		EX0	DG0	WASHER, Banjo
6	4863 777	1		EX0	DG0	UNION
7	4720 704	1		EX0	DG0	WASHER, Oil Pressure Transducer
8	5013 828AB	1		EX0	DG0	BRACKET, Tube
9	5014 071AA	1		EX0	DG0	BOLT, M5x10

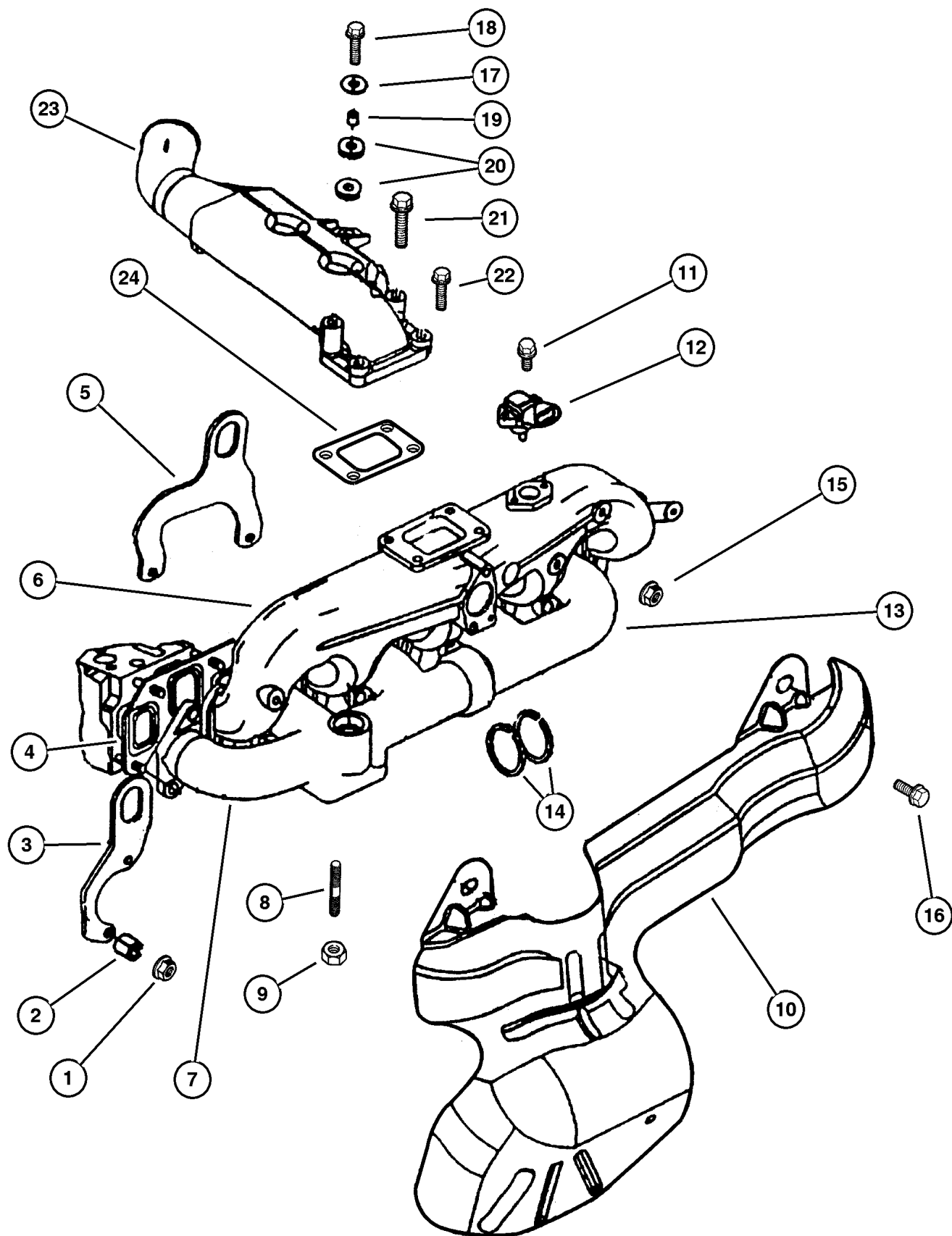
JEEP GRAND CHEROKEE (WJ)

SERIES	LINE	BODY	ENGINE	TRANSMISSION
H=Laredo	J = 4WD	74 = 4 Door(105.9 WB)	ER0, ERH = 4.0L, Power Tech I-6	DGK = 4 Speed Autm, 42RE
P=Limited	T = 2WD		EV0, EVA = 4.7L, Power Tech V8	DGW = 4 Speed Automatic, -44RE
	U = 4WD (RHD)		EXA, EX0 = 3.1L, 5 Cyl Turbo Diesel	DG4 = Multi Speed Automatic, -45RFE
				DGO = All Automatic

AR = Use as required - = Non illustrated part # = New this model year

April 3, 2002

**Manifold, Intake and Exhaust 3.1L (EXA) Diesel Engine
Figure 3.1L-810**



ITEM	PART NUMBER	QTY	LINE	ENGINE	TRANS	DESCRIPTION
NOTE: EX0=All 3.1L Engines DG0=All Automatic Transmissions WD-Right Hand Drive---B=2 WD-Right Hand Drive						
1	4882 611	10		EX0	DG0	NUT, Lock
2	5014 348AA	10		EX0	DG0	SPACER
3	5014 073AA	1		EX0	DG0	BRACKET, Engine Lift
4	5015 016AA	1		EX0	DG0	GASKET, Intake/Exhaust Manifold
5	5015 056AA	1		EX0	DG0	BRACKET, Engine Lift
6	5015 009AA	1		EX0	DG0	MANIFOLD, Intake
7	5015 058AA	1		EX0	DG0	MANIFOLD, Exhaust
8	4882 606	4		EX0	DG0	STUD, Turbo Elbow
9	4882 610	4		EX0	DG0	NUT, Lock
10	5015 029AA	1		EX0	DG0	SHIELD, Heat
11	5014 066AA	2		EX0	DG0	BOLT
12	5003 734AA	1		EX0	DG0	SENSOR, Air Temperature
13	5015 057AA	1		EX0	DG0	MANIFOLD, Exhaust
14	4720 214	2		EX0	DG0	CIRCLIP, Exhaust Manifold
15	4778 961	10		EX0	DG0	NUT
16	5003 553AA	2		EX0	DG0	SCREW
17	5015 014AA	1		EX0	DG0	WASHER
18	4864 551	1		EX0	DG0	SCREW
19	5015 011AA	1		EX0	DG0	SPACER
20	5015 112AA	2		EX0	DG0	GROMMET
21	5015 113AA	2		EX0	DG0	BOLT
22	4864 534	2		EX0	DG0	BOLT, Adaptor Plate
23	5015 010AA	1		EX0	DG0	ELBOW, Intake Manifold Vacuum
24	5015 015AA	1		EX0	DG0	GASKET, Intake Connector

JEEP GRAND CHEROKEE (WJ)

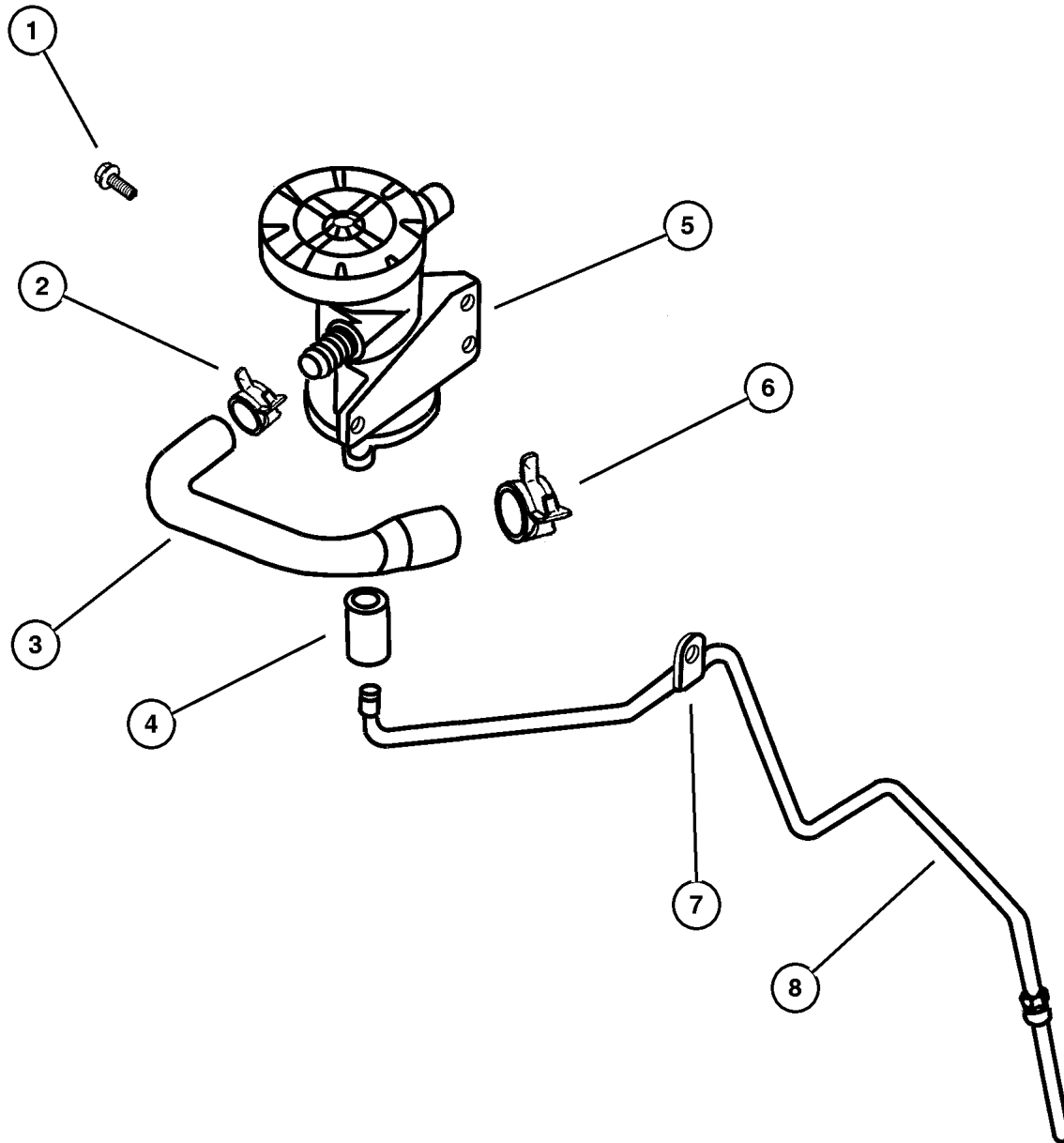
SERIES	LINE	BODY	ENGINE	TRANSMISSION
H=Laredo	J = 4WD	74 = 4 Door(105.9 WB)	ER0, ERH = 4.0L, Power Tech I-6	DGK = 4 Speed Autm, 42RE
P=Limited	T = 2WD		EV0, EVA = 4.7L, Power Tech V8	DGW = 4 Speed Automatic, -44RE
	U = 4WD (RHD)		EXA, EX0 = 3.1L, 5 Cyl Turbo Diesel	DG4 = Multi Speed Automatic, -45RFE
				DGO = All Automatic

AR = Use as required - = Non illustrated part # = New this model year

April 3, 2002

**Crankcase Ventilation 3.1L (EXA) Diesel Engine
Figure 3.1L-910**

ITEM	PART NUMBER	QTY	LINE	ENGINE	TRANS	DESCRIPTION
NOTE: EX0=All 3.1L Engines DG0=All Automatic Transmissions WD-Right Hand Drive---B=2 WD-Right Hand Drive						
1	5003 553AA	2		EX0	DG0	SCREW
2	4883 924AA	1		EX0	DG0	CLAMP, Heater Hose
3	5015 048AA	1		EX0	DG0	HOSE, Oil Separator
4	5015 049AA	1		EX0	DG0	HOSE, Oil Separator
5	4741 769	1		EX0	DG0	SEPERATOR, Oil
6	4886 050AA	1		EX0	DG0	CLAMP, Heater Hose
7	5015 050AA	1		EX0	DG0	CLIP
8	5015 047AA	1		EX0	DG0	TUBE, Oil Drain



JEEP GRAND CHEROKEE (WJ)				
SERIES	LINE	BODY	ENGINE	TRANSMISSION
H=Laredo	J = 4WD	74 = 4 Door(105.9 WB)	ER0, ERH = 4.0L, Power Tech I-6	DGK = 4 Speed Autm, 42RE
P=Limited	T = 2WD		EV0, EVA = 4.7L, Power Tech V8	DGW = 4 Speed Automatic, -44RE
	U = 4WD (RHD)		EXA, EX0 = 3.1L, 5 Cyl Turbo Diesel	DG4 = Multi Speed Automatic, -45RFE
				DGO = All Automatic

AR = Use as required - = Non illustrated part # = New this model year

April 3, 2002

Group – 011

Exhaust

GROUP 11 - Exhaust

Illustration Title

Group-Fig. No.

Exhaust System

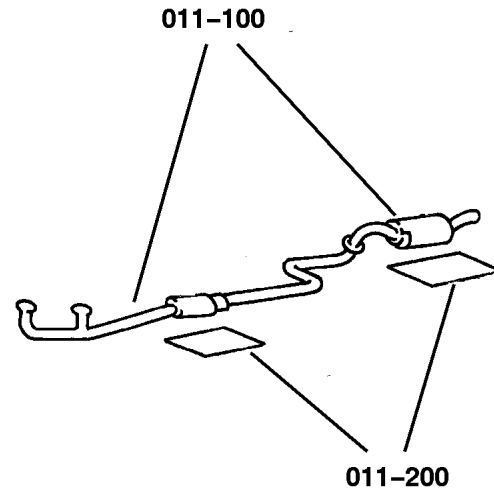
Exhaust System 3.1L (EXA) Diesel Engine Fig. 011-110

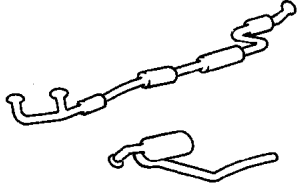
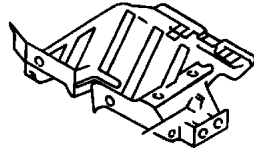
Exhaust System 4.0L (ERH) Engine Fig. 011-120

Exhaust System 4.7L (EVA) Engine Fig. 011-130

Heat Shields

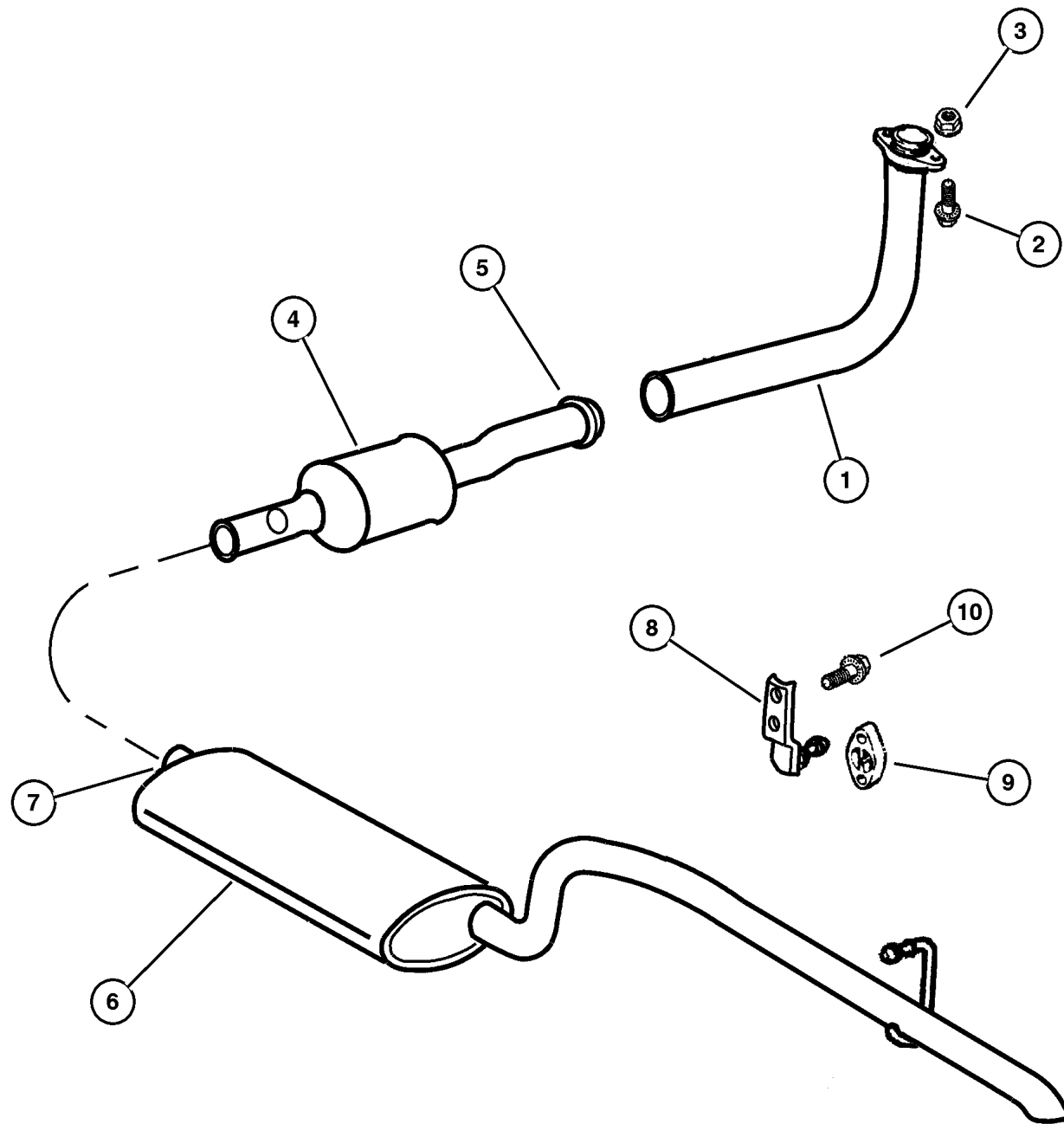
Heat Shields Fig. 011-210



<p>011-100 Exhaust System</p> 	<p>011-200 Heat Shields</p> 		
--	--	--	--

**Exhaust System 3.1L (EXA) Diesel Engine
Figure 011-110**

ITEM	PART NUMBER	QTY	LINE	SERIES	BODY	ENGINE	TRANS	DESCRIPTION
NOTE: EX0=All 3.1L Engines WD-Right Hand Drive---B=2 WD-Right Hand Drive								
1	5210 1037	1				EX0		PIPE, Exhaust
2	6505 495AA	2				EX0		SCREW, M10x1.50x60.00
3	6503 231	2				EX0		NUT, Brake Line
4	52101 394AC	1				EX0		CONVERTER, Catalytic
5								CLAMP, Serviced in Converter assembly, (NOT SERVICED)
6	52101 043AC	1				EX0		MUFFLER AND TAILPIPE, Exhaust
7	5210 1040	1				EX0		CLAMP, Exhaust
8	52101 141AD	1						HANGER, Tailpipe
9	52101 068AA	1						INSULATOR, Exhaust
10	6101 542	1				EX0		SCREW, Hex Head, M8-1.25 x 20



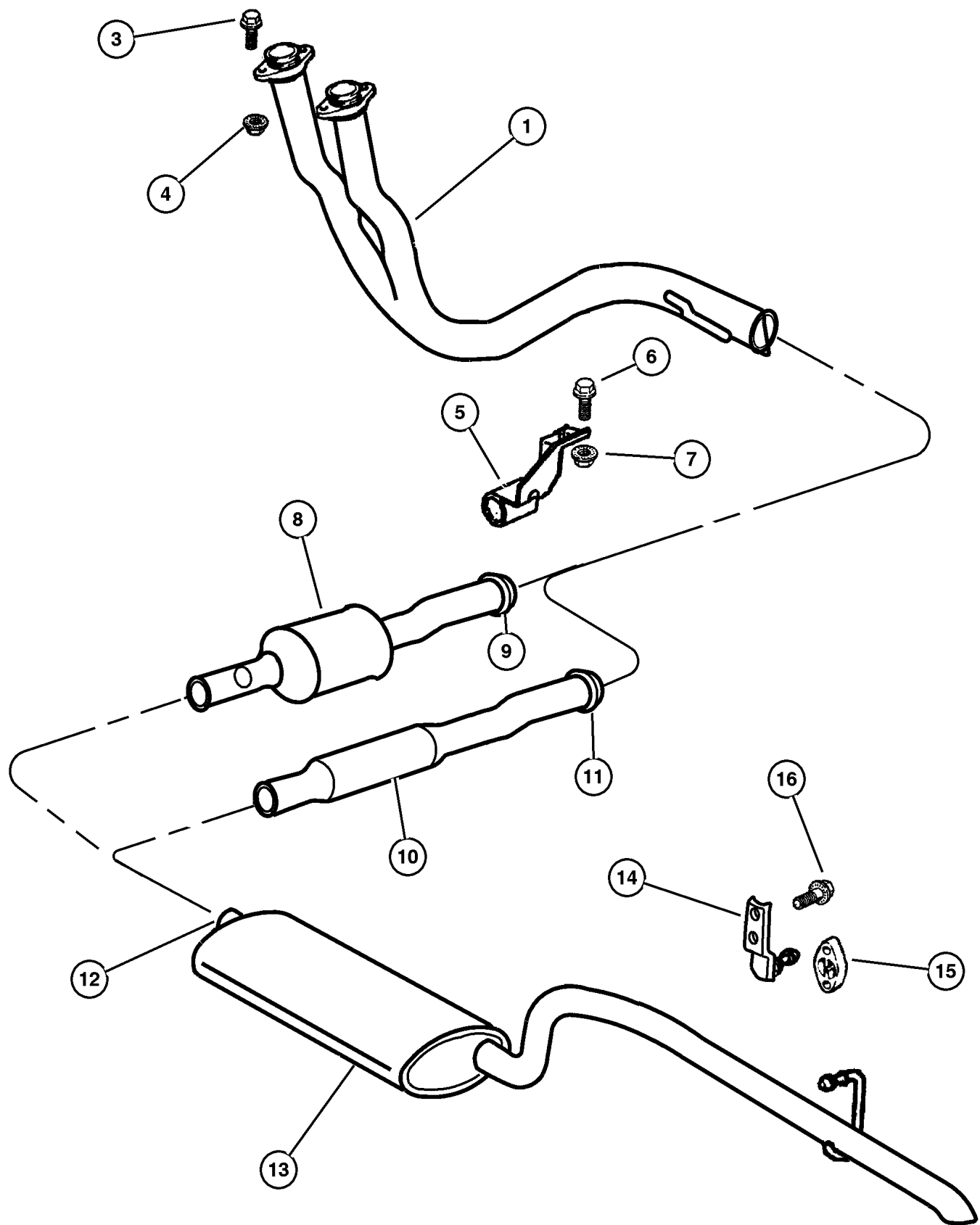
JEEP GRAND CHEROKEE (WJ)

SERIES	LINE	BODY	ENGINE	TRANSMISSION
H=Laredo	J = 4WD	74 = 4 Door(105.9 WB)	ER0, ERH = 4.0L, Power Tech I-6	DGK = 4 Speed Autm, 42RE
P=Limited	T = 2WD		EVO, EVA = 4.7L, Power Tech V8	DGW = 4 Speed Automatic, -44RE
	U = 4WD (RHD)		EXA, EX0 = 3.1L, 5 Cyl Turbo Diesel	DG4 = Multi Speed Automatic, -45RFE
				DGO = All Automatic

AR = Use as required - = Non illustrated part # = New this model year

April 3, 2002

**Exhaust System 4.0L (ERH) Engine
Figure 011-120**



ITEM	PART NUMBER	QTY	LINE	SERIES	BODY	ENGINE	TRANS	DESCRIPTION
Note: WD-Right Hand Drive---B=2 WD-Right Hand Drive								
EM0 = All 5.9L 8 Cyl Gas Engines WD-Right Hand Drive---B=2 WD-Right Hand Drive								
ER0 = All 4.0L 6 Cyl Gas Engines WD-Right Hand Drive---B=2 WD-Right Hand Drive								
EVO = All 4.7L Gas Engines WD-Right Hand Drive---B=2 WD-Right Hand Drive								
EX0 = All Turbo Diesel Engines WD-Right Hand Drive---B=2 WD-Right Hand Drive								
1	5210 1090	1				ER0		PIPE, Exhaust, Federal, Canada, Europe II
-2	52101 091AB	1				ER0		CONVERTER, Catalytic, California, Europe III
3	6505 754AA	4				ER0		SCREW, Hex Head
4	6503 231	4				EM0, ER0,	EVO	NUT, Brake Line
5	52101 017AB	1				ER0		HANGER, Exhaust
6	6022 266	1	T			ER0		SCREW, Hex Head, .375-16x1.5
		1	J, U			ER0	DGO	
7	0152 474	1	T			ER0		NUT, Hex Flange Lock, .375-16
8	5210 1390	1				ER0		CONVERTER, Catalytic Federal, Canada, Europe II
	5210 1391	1				ER0		California
9								CLAMP, Serviced in Converter, (NOT SERVICED)
10	52101 122AA	1				ER0, EVO		RESONATOR, Exhaust
11								CLAMP, Serviced in Resonator, (NOT SERVICED)
12	52101 094AB	1				ER0		MUFFLER AND TAILPIPE, Exhaust
13	5210 1040	1				ER0		CLAMP, Exhaust
14	52101 141AD	1						HANGER, Tailpipe
15	52101 068AA	1						INSULATOR, Exhaust
16	6101 542	1				EX0		SCREW, Hex Head, M8-1.25 x 20

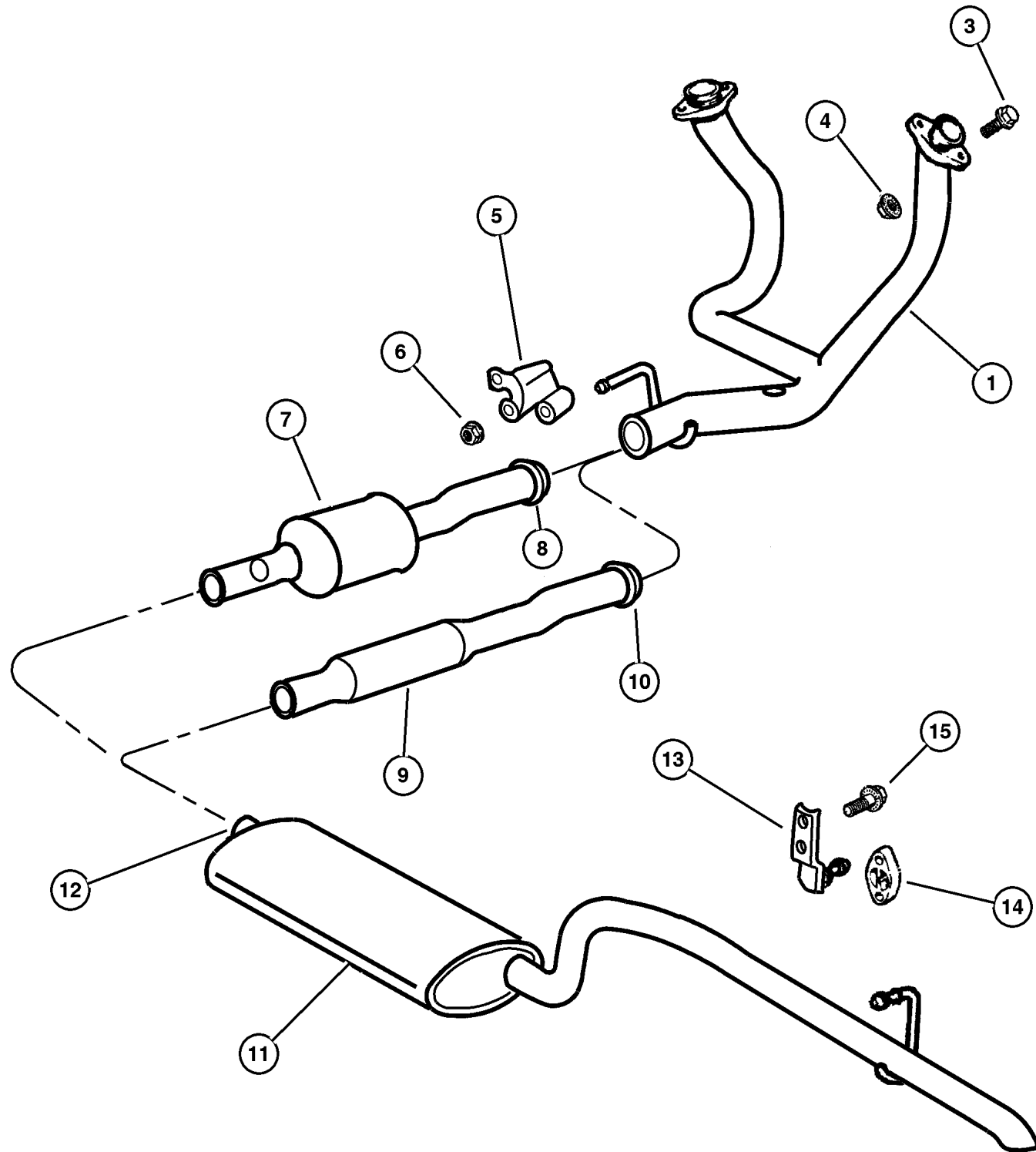
JEEP GRAND CHEROKEE (WJ)

SERIES	LINE	BODY	ENGINE	TRANSMISSION
H=Laredo	J = 4WD	74 = 4 Door(105.9 WB)	ER0, ERH = 4.0L, Power Tech I-6	DGK = 4 Speed Autm, 42RE
P=Limited	T = 2WD		EVO, EVA = 4.7L, Power Tech V8	DGW = 4 Speed Automatic, -44RE
	U = 4WD (RHD)		EXA, EX0 = 3.1L, 5 Cyl Turbo Diesel	DG4 = Multi Speed Automatic, -45RFE
				DGO = All Automatic

AR = Use as required - = Non illustrated part # = New this model year

April 3, 2002

**Exhaust System 4.7L (EVA) Engine
Figure 011-130**



ITEM	PART NUMBER	QTY	LINE	SERIES	BODY	ENGINE	TRANS	DESCRIPTION
------	-------------	-----	------	--------	------	--------	-------	-------------

Note: WD-Right Hand Drive---B=2 WD-Right Hand Drive
 EM0 = All 5.9L 8 Cyl Gas Engines WD-Right Hand Drive---B=2 WD-Right Hand Drive
 ER0 = All 4.0L 6 Cyl Gas Engines WD-Right Hand Drive---B=2 WD-Right Hand Drive
 EV0 = All 4.7L Gas Engines WD-Right Hand Drive---B=2 WD-Right Hand Drive
 EX0 = All Turbo Diesel Engines WD-Right Hand Drive---B=2 WD-Right Hand Drive

1	52101 092AB	1				EV0		PIPE, Exhaust, Federal, Europe II, Unleaded Fuel
-2	52101 093AB	1				EV0		CONVERTER, Catalytic, California, Europe III
3	6506 012AA	4				EV0		SCREW, Hex Head
4	6503 231	4				EM0, ER0, EV0	EVO	NUT, Brake Line
5	52101 018AB	1				EV0		HANGER, Exhaust
6	6502 696	2				EV0		NUT, Hex Flange Lock, M10x1.5
7	5210 1392	1				EV0		CONVERTER, Catalytic Federal, Europe II
	5210 1393	1				ER0, EV0		California, Europe III
8								CLAMP, Serviced in Converter, (NOT SERVICED)
9	52101 122AA	1				EV0		RESONATOR, Exhaust
10								CLAMP, Serviced in Resonator, (NOT SERVICED)
11	52101 095AB	1				EV0		MUFFLER AND TAILPIPE, Exhaust
12	5210 1040	1				EV0		CLAMP, Exhaust
13	52101 141AD	1						HANGER, Tailpipe
14	52101 068AA	1						INSULATOR, Exhaust
15	6101 542	1				EX0		SCREW, Hex Head, M8-1.25 x 20

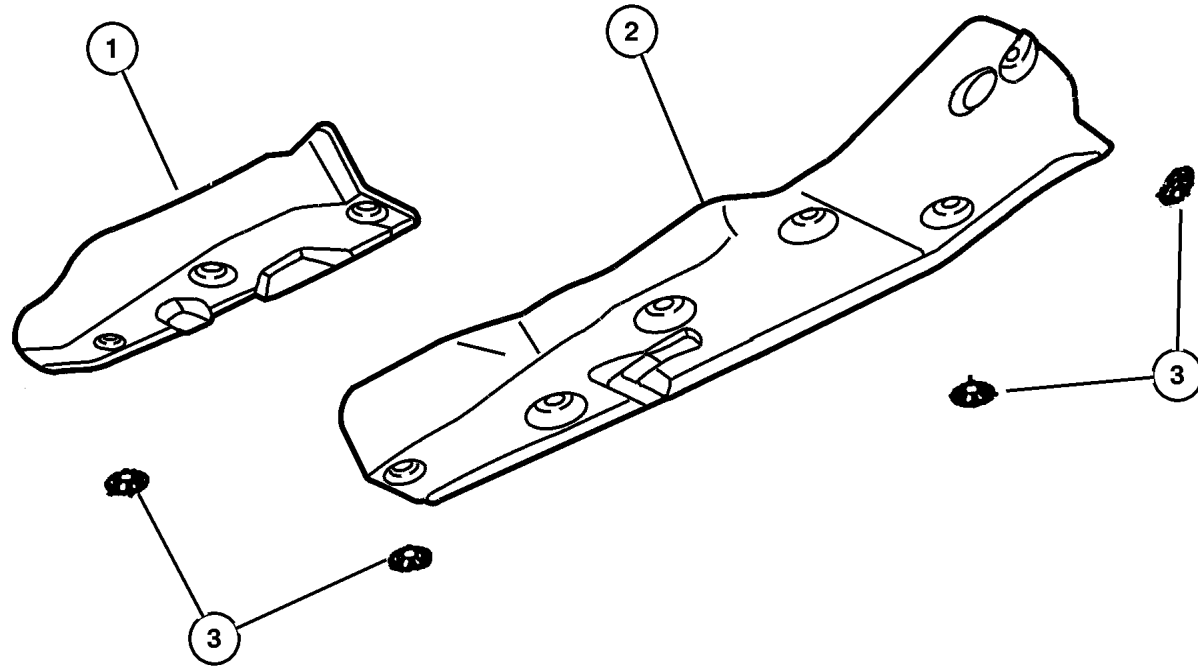
JEEP GRAND CHEROKEE (WJ)				
SERIES	LINE	BODY	ENGINE	TRANSMISSION
H=Laredo	J = 4WD	74 = 4 Door(105.9 WB)	ER0, ERH = 4.0L, Power Tech I-6	DGK = 4 Speed Autm, 42RE
P=Limited	T = 2WD		EV0, EVA = 4.7L, Power Tech V8	DGW = 4 Speed Automatic, -44RE
	U = 4WD (RHD)		EXA, EX0 = 3.1L, 5 Cyl Turbo Diesel	DG4 = Multi Speed Automatic, -45RFE
				DGO = All Automatic

AR = Use as required - = Non illustrated part # = New this model year

April 3, 2002

Heat Shields Figure 011-210

ITEM	PART NUMBER	QTY	LINE	SERIES	BODY	ENGINE	TRANS	DESCRIPTION
1	55135 709AC	1						SHIELD, Heat
2	#55135 712AD	1						SHIELD, Heat
3								NUT, Heat Shield Attach, M5x1.60, (NOT SERVICED)



JEEP GRAND CHEROKEE (WJ)

SERIES	LINE	BODY	ENGINE	TRANSMISSION
H=Laredo	J = 4WD	74 = 4 Door(105.9 WB)	ER0, ERH = 4.0L, Power Tech I-6	DGK = 4 Speed Autm, 42RE
P=Limited	T = 2WD		EV0, EVA = 4.7L, Power Tech V8	DGW = 4 Speed Automatic, -44RE
	U = 4WD (RHD)		EXA, EX0 = 3.1L, 5 Cyl Turbo Diesel	DG4 = Multi Speed Automatic, -45RFE
				DGO = All Automatic

AR = Use as required - = Non illustrated part # = New this model year

April 3, 2002

Group – 013

Frames and Bumpers

GROUP 13 - Frames and Bumpers

Illustration Title

Group-Fig. No.

Front Bumper and Fascia

Bumper, Front Fig. 013-240

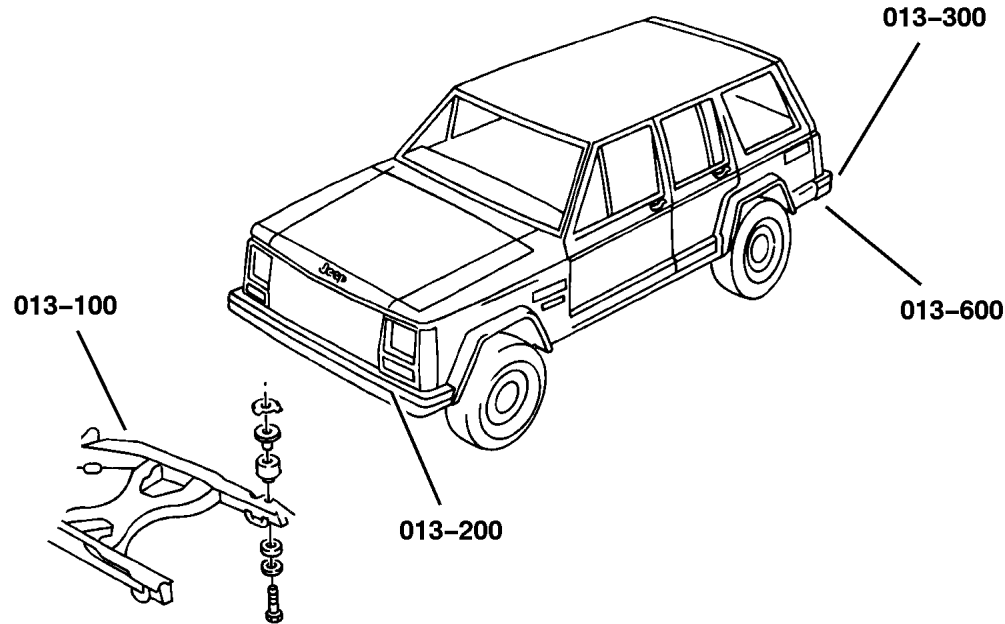
Rear Bumper and Fascia

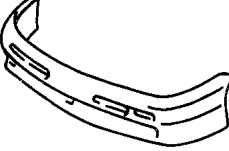


Bumper, Rear Fig. 013-340

Trailer Tow

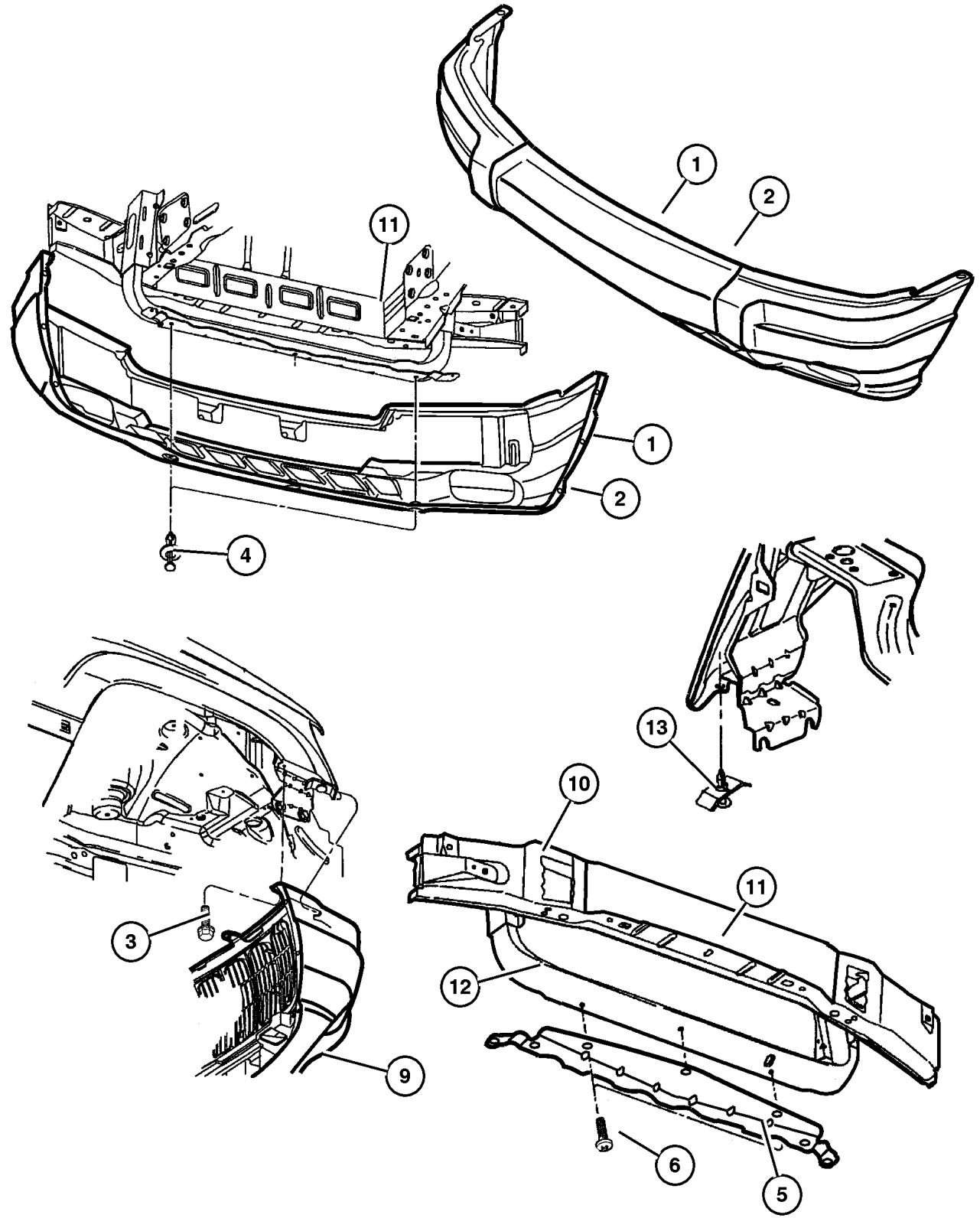
Tow Eye Fig. 013-610

Rear Hitch Fig. 013-620



<p>013-200 Front Bumper and Fascia</p> 	<p>013-300 Rear Bumper and Fascia</p> 	<p>013-600 Trailer Tow</p> 	
---	--	---	--

Bumper, Front Figure 013-240



ITEM	PART NUMBER	QTY	LINE	SERIES	BODY	DESCRIPTION
1						FASCIA, Front
	5EU7 9VF7	1		H		Laredo, w/o Fog Lamps, Dark Brownstone (Paint Codes: S5, TH, TK, UL, W1)
	5EU7 9XS9	1		H		Laredo, w/o Fog Lamps, Dark Gray Met. (Paint Codes: BT, GR, PT, R4, X8)
	5FN2 9VF7	1		H		Laredo, w/Fog Lamps, Dark Brownstone (Paint Codes: S4, S5, TH, TK, UL, W1)
	5FN2 9XS9	1		H		Laredo, w/Fog Lamps, Dark Gray Met. (Paint Codes: BQ,BT, GR, PT, R4, X8)
	5FN3 3XS9	1		H		Laredo, w/Fog Lamps, Dark Gray Met., Export
2						FASCIA, Front, Primed
	5012 668AA	1		P		Limited
	5015 233AA	1		P		Laredo, w/Fog Lamps, Export
3	6035 188	2				SCREW, Hex Flange Head, .25-14x.875
4	5517 6248	3				PIN, Push
5	55296 138AA	1				BRACKET, Fascia
6	5517 6248	3				PIN, Push
-7						SCREW, (NOT SERVICED)
-8	6503 267	2				SCREW, Round Head, M6x1x25
9						LICENSE PLATE KIT
	55155 750AA	1				Europe
	55155 995AA	1				Europe
10	5513 5880	1				CROSSMEMBER, Radiator, Front Lower Front
11	5513 6113	1				CROSSMEMBER, Radiator, Front Lower Rear
12						CROSSMEMBER, Radiator
	55136 992AA	1				Export
	5513 5870	1				Export
13	6505 361AA	2				PIN, Push
-14	5515 5165	1		H		BUMPER, Fascia, Front, Laredo
-15	5515 5505	1		P		ABSORBER, Front Energy, Limited
-16	5FT3 5DX9	1		H		GRILLE, Texture
-17	6505 667AA	4				PIN, Deflector

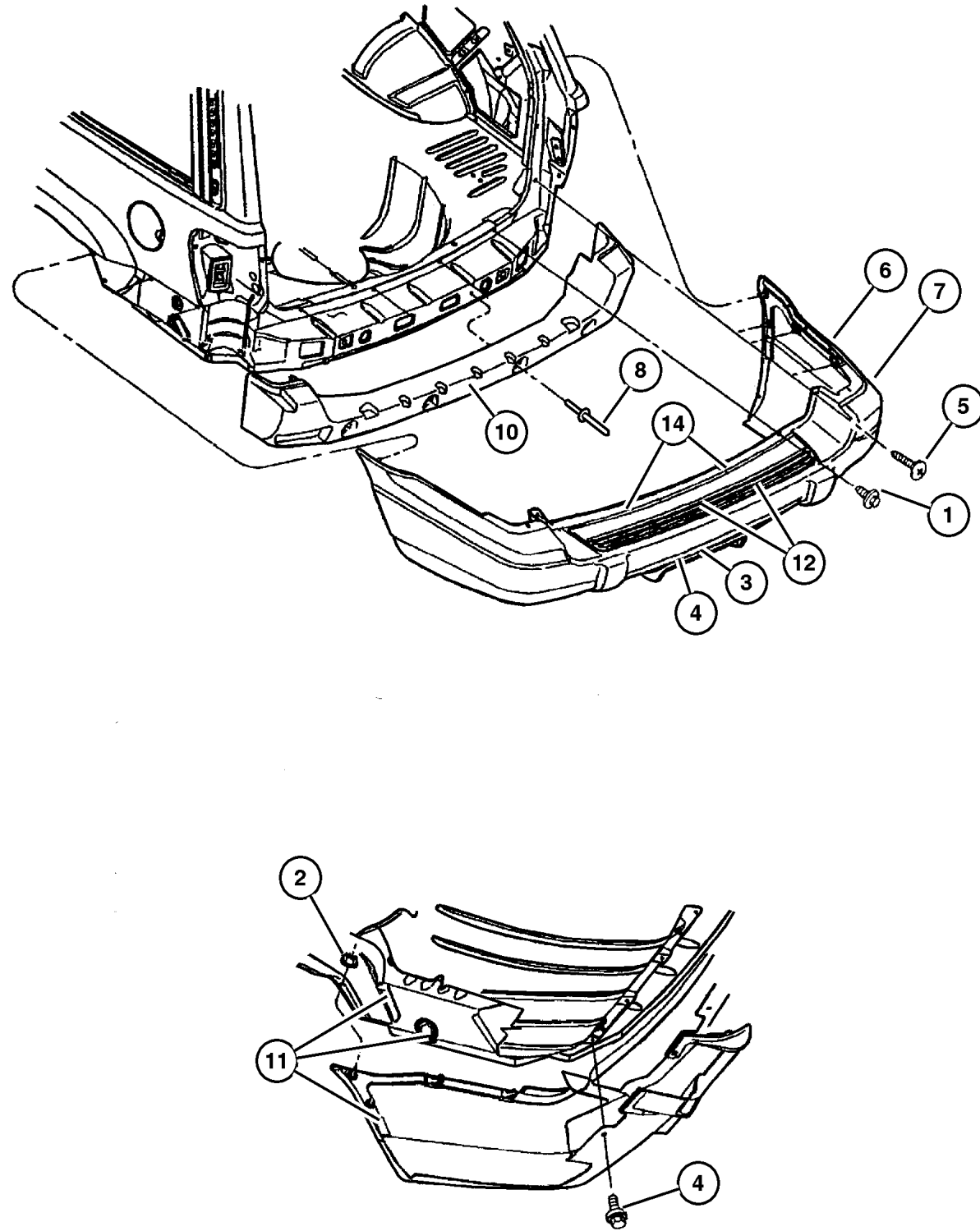
JEEP GRAND CHEROKEE (WJ)

SERIES	LINE	BODY	ENGINE	TRANSMISSION
H=Laredo	J = 4WD	74 = 4 Door(105.9 WB)	ER0, ERH = 4.0L, Power Tech I-6	DGK = 4 Speed Autm, 42RE
P=Limited	T = 2WD		EV0, EVA = 4.7L, Power Tech V8	DGW = 4 Speed Automatic, -44RE
	U = 4WD (RHD)		EXA, EX0 = 3.1L, 5 Cyl Turbo Diesel	DG4 = Multi Speed Automatic, -45RFE
				DGO = All Automatic

AR = Use as required - = Non illustrated part # = New this model year

April 3, 2002

Bumper, Rear Figure 013-340



ITEM	PART NUMBER	QTY	LINE	SERIES	BODY	DESCRIPTION
1	5517 6248	3				PIN, Push
2						NUT AND WASHER, Hex, M6x1.0, (NOT SERVICED)
3	3420 1631	6				RIVET, M6.25x28 Black
4	0154 228	5				SCREW, Tapping, .19-16x.625
5	6035 412	1				SCREW
6						FASCIA, Rear
	5EU8 1VF7	1		H		Laredo, w/o Hitch Bezel, Dark Brownstone (Paint Codes: S4, S5, TH, TK, UL, W1)
	5EU8 1XS9	1		H		Laredo, w/o Hitch Bezel, Dark Gray (Paint Codes: AW, BT, BQ, GR, PT, R4, X8)
	5FY08 VF7AB	1		H		Laredo, w/Hitch Bezel, Dark Brownstone (Paint Codes: S4, S5, TH, TK, UL, W1)
	5FY08 XS9AB	1		H		Laredo, w/Hitch Bezel, Dark Gray (Paint Codes: AW, BT, BQ, GR, PT, R4, X8)
7						FASCIA, Rear, Primed
	5012 804AA	1		P		Limited, w/o Hitch Bezel
	5012 936AA	1		P		Limited, w/Hitch Bezel
	5012 938AA	1		P		Limited, Export
8						RIVET, (NOT SERVICED)
-9	55155 695AA	1				CROSSMEMBER, Bumper, Rear, Export
10						ABSORBER, Rear Energy
	5515 5166	1		H		Laredo
	5515 5506	1		P		Limited
	55155 774AA	1		P		Limited, Export
11						RETAINER PACKAGE, Fascia
	5015 522AB	1		H		Laredo, Right
		1		P		Limited, Right
	5015 523AB	1		H		Laredo, Left
		1		P		Limited, Left
12						STEP PAD PACKAGE, Rear Fascia
	5015 524AA	1		H		Laredo
		1		P		Limited
-13						NUT, PACKAGE
	5013 799AA	4		H		Laredo
		4		P		Limited
14	6503 106	8				RETAINER, Push In Type M6.3 Hole
-15						BEZEL, Hitch
	5FY07 DX9AA	1		P		
	5FY10 VF7AA	1		H		[S5]
	5FY10 XS9AA	1		H		[BT]
-16	6503 106	8				RETAINER, Push In Type M6.3 Hole, Fascia to Tank

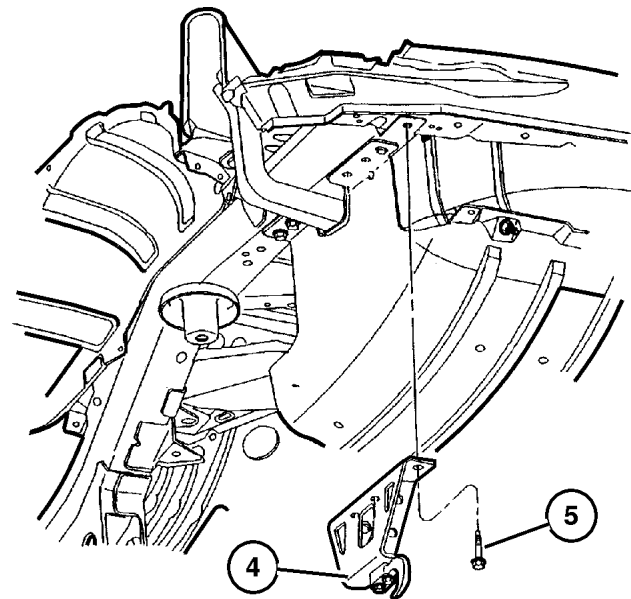
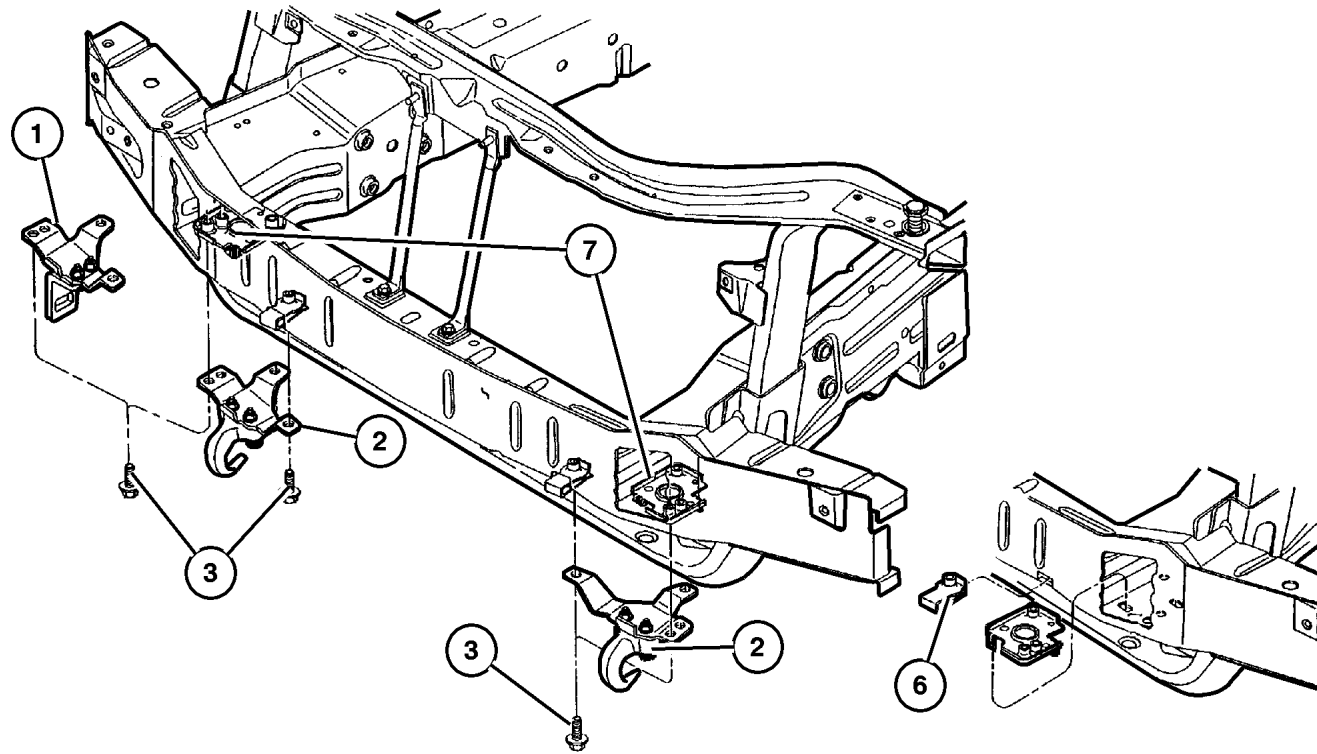
JEEP GRAND CHEROKEE (WJ)

SERIES	LINE	BODY	ENGINE	TRANSMISSION
H=Laredo	J = 4WD	74 = 4 Door(105.9 WB)	ER0, ERH = 4.0L, Power Tech I-6	DGK = 4 Speed Autm, 42RE
P=Limited	T = 2WD		EV0, EVA = 4.7L, Power Tech V8	DGW = 4 Speed Automatic, -44RE
	U = 4WD (RHD)		EXA, EX0 = 3.1L, 5 Cyl Turbo Diesel	DG4 = Multi Speed Automatic, -45RFE
				DGO = All Automatic

AR = Use as required - = Non illustrated part # = New this model year

April 3, 2002

Tow Eye
Figure 013-610



ITEM	PART NUMBER	QTY	LINE	SERIES	BODY	DESCRIPTION
1						EYE, Tow
	52059 158AB	1				Right
	52059 159AA	1				Left
2						HOOK, Tow
	5205 9012	1				Right Front
	5205 9013	1				Left Front
	#52059 014AB	1				Hold Down
3	6101 102	7				BOLT, Hex Head, M12x1.75x45
4						HOOK, Tow
	5205 9012	1				Right Rear
	5205 9013	1				Left Rear
5						SCREW AND WASHER, M10x1.50x35, (NOT SERVICED)
6						NUT, (NOT SERVICED)
7						TAPPING PLATE, Tow Hook
	52059 156AA	1				Right
	52059 157AA	1				Left

JEEP GRAND CHEROKEE (WJ)

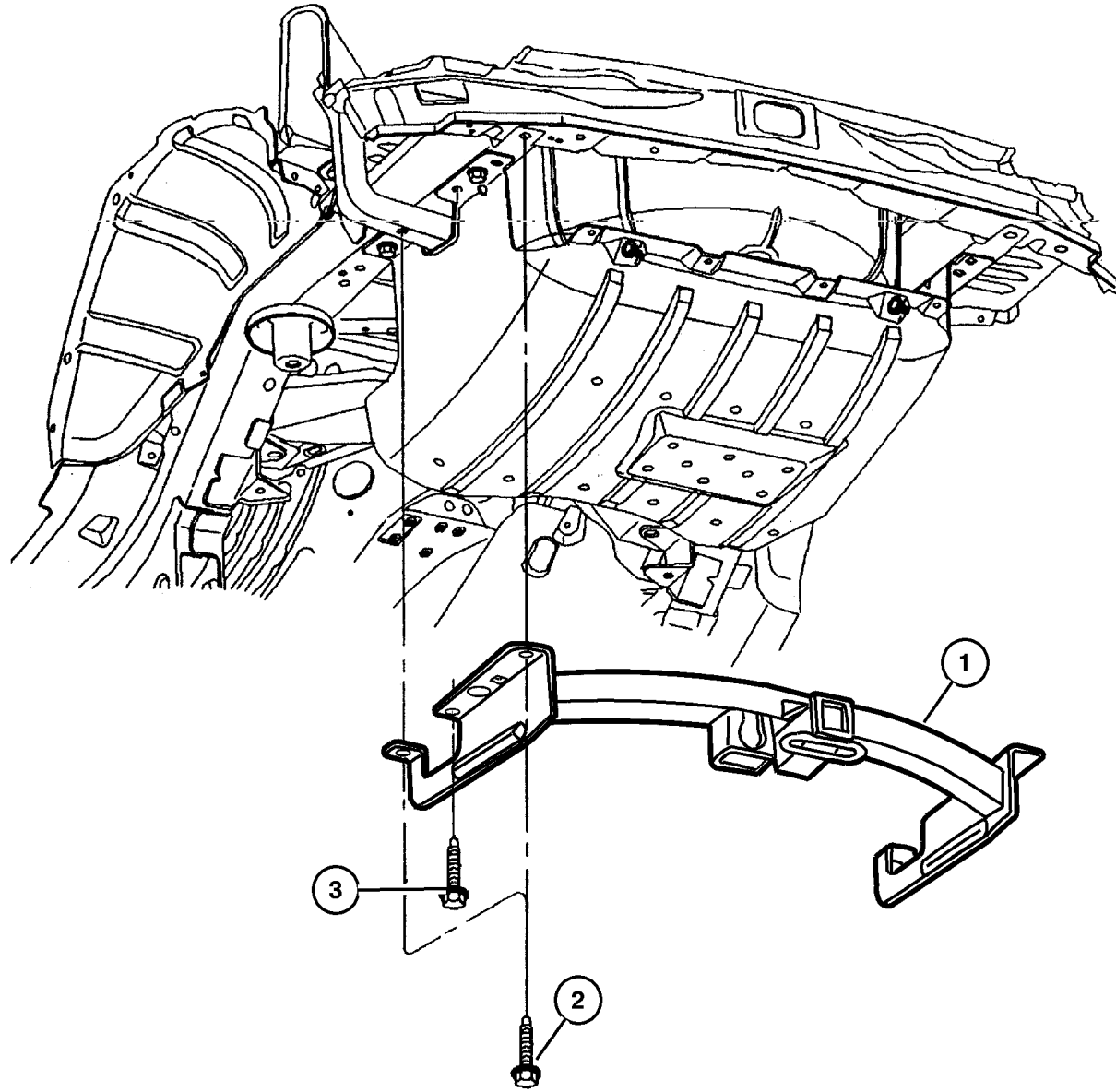
SERIES	LINE	BODY	ENGINE	TRANSMISSION
H=Laredo	J = 4WD	74 = 4 Door(105.9 WB)	ER0, ERH = 4.0L, Power Tech I-6	DGK = 4 Speed Autm, 42RE
P=Limited	T = 2WD		EV0, EVA = 4.7L, Power Tech V8	DGW = 4 Speed Automatic, -44RE
	U = 4WD (RHD)		EXA, EX0 = 3.1L, 5 Cyl Turbo Diesel	DG4 = Multi Speed Automatic, -45RFE
				DGO = All Automatic

AR = Use as required - = Non illustrated part # = New this model year

April 3, 2002

Rear Hitch
Figure 013-620

ITEM	PART NUMBER	QTY	LINE	SERIES	BODY	DESCRIPTION
1	8220 4491	1	J, T	H, P	74	RECEIVER KIT, Trailer Tow
2	6101 102	2				BOLT, Hex Head, M12x1.75x45
3	6503 571	4				SCREW AND WASHER, M10x1.50x35
-4	52059 238AA	1				BRACE, Tow Hook



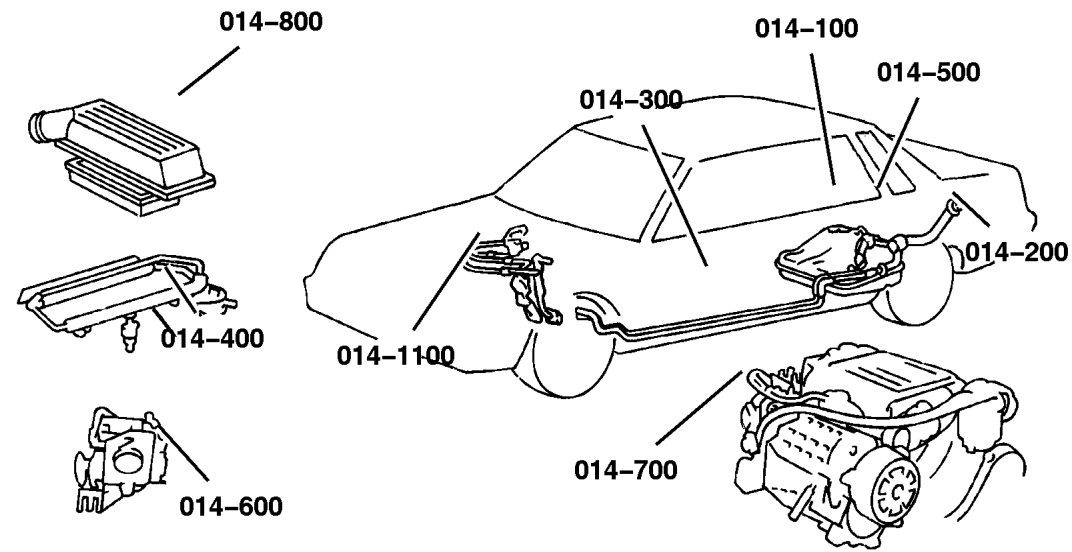
JEEP GRAND CHEROKEE (WJ)				
SERIES	LINE	BODY	ENGINE	TRANSMISSION
H=Laredo	J = 4WD	74 = 4 Door(105.9 WB)	ER0, ERH = 4.0L, Power Tech I-6	DGK = 4 Speed Autm, 42RE
P=Limited	T = 2WD		EV0, EVA = 4.7L, Power Tech V8	DGW = 4 Speed Automatic, -44RE
	U = 4WD (RHD)		EXA, EX0 = 3.1L, 5 Cyl Turbo Diesel	DG4 = Multi Speed Automatic, -45RFE
				DGO = All Automatic

AR = Use as required - = Non illustrated part # = New this model year

April 3, 2002

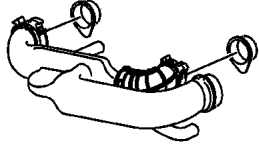
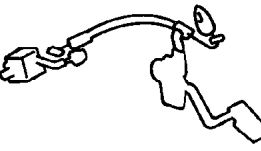

Group – 014

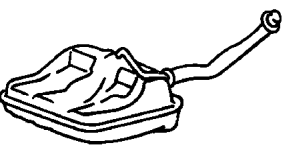

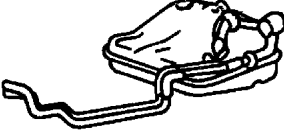
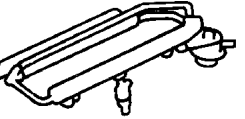
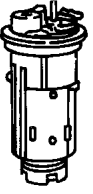

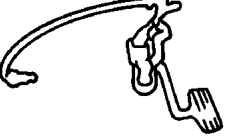
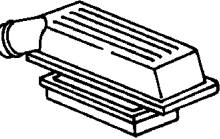
Fuel



Group – 014

Fuel

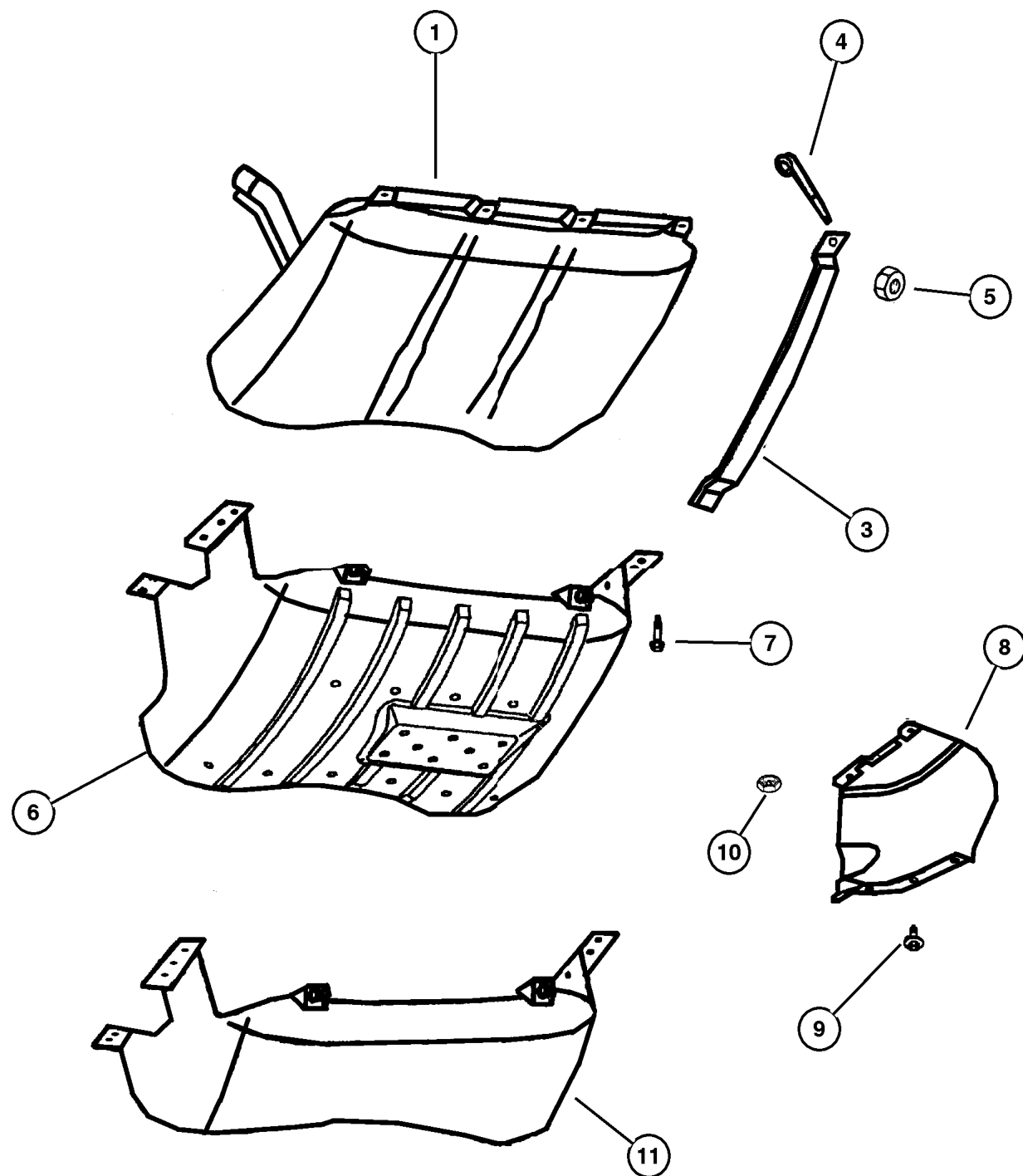
<p>014-900 Air Intake System</p> 	<p>014-1000 Speed Control</p> 	<p>014-1100 Accelerator Pedal</p> 	
---	--	--	--

<p>014-100 Tank, Fuel</p> 	<p>014-200 Fuel Tank Filler Tube</p> 	<p>014-300 Fuel Lines</p> 	<p>014-400 Fuel Rail</p> 
<p>014-500 Fuel Pump and Sending Unit</p> 	<p>014-600 Throttle Body</p> 	<p>014-700 Throttle Controls</p> 	<p>014-800 Air Cleaner</p> 

GROUP 14 - Fuel

Illustration Title	Group-Fig. No.
Tank, Fuel	
Fuel Tank 3.1L Diesel (EXA), 4.0L (ERH), 4.7L (EVA) Engine	Fig. 014-110
Fuel Tank Filler Tube	
Fuel Tank Filler Tube 3.1L Diesel (EXA), 4.0L (ERH), 4.7L (EVA) Engine	Fig. 014-210
Fuel Lines	
Front, Fuel Lines & Fuel Separator 3.1L (EXA) Diesel	Fig. 014-310
Fuel Lines, Rear 3.1L (EXA) Diesel Engine	Fig. 014-320
Fuel Lines, Front 4.0L (ERH) Engine	Fig. 014-330
Fuel Lines, Rear 4.0L (ERH) Engine	Fig. 014-340
Fuel Lines, Front 4.7L (EVA) Engine	Fig. 014-350
Fuel Lines, Rear 4.7L (EVA) Engine	Fig. 014-360
Fuel Rail	
Fuel Rail 4.0L (ERH), 4.7L (EVA) Engine	Fig. 014-410
Fuel Injection System 3.1L (EXA) Diesel Engine	Fig. 014-440
Fuel Injection Pump 3.1L (EVA) Diesel Engine	Fig. 014-460
Fuel Pump and Sending Unit	
Fuel Pump and Sending Unit 3.1L Diesel (EXA), 4.0L (ERH), 4.7L (EVA) Engine	Fig. 014-510
Throttle Body	
Throttle Body 4.0L (ERH), 4.7L (EVA) Engine	Fig. 014-610
Turbocharger 3.1L (EXA) Engine	Fig. 014-660
Throttle Controls	
Throttle Controls 3.1L (EXA) Diesel Engine	Fig. 014-710
Throttle Controls 4.0L (ERH) Engine	Fig. 014-720
Throttle Controls 4.7L (EVA) Engine	Fig. 014-730
Air Cleaner	
Air Cleaner 3.1L (EXA) Diesel Engine	Fig. 014-810
Air Cleaner 4.0L (ERH) Engine	Fig. 014-820
Air Cleaner 4.7L (EVA) Engine	Fig. 014-830
Air Intake System	
Air Intake System 3.1L Diesel (EXA) 4.0L (ERH), 4.7L (EVA) Engine	Fig. 014-910
Speed Control	
Speed Control 3.1L Diesel (EXA), 4.0L (ERH), 4.7L (EVA) Engine	Fig. 014-1010
Accelerator Pedal	
Accelerator Pedal	Fig. 014-1110

Fuel Tank 3.1L Diesel (EXA), 4.0L (ERH), 4.7L (EVA) Engine
Figure 014-110



ITEM	PART NUMBER	QTY	LINE	SERIES	BODY	ENGINE	TRANS	DESCRIPTION
NOTE: EX0=All 3.1L Engines ER0=All 4.0L Engines EV0=All 4.7L Engines WD-Right Hand Drive---B=2 WD-Right Hand Drive								
1	5210 0074	1				ER0, EVO		TANK, Fuel, Federal, Canada
-2	52100 364AA	1				EX0		TANK, Fuel - Plastic Export, Export
3	5210 0216	2				ER0, EVO		STRAP, Fuel Tank
4	6504 171	2				ER0, EVO		SCREW, Hex Flange Head, M8x1.25x32
5	6101 467	2						NUT, Hex Flange, M8x1.25
6	52100 376AB	1				EX0		SKID PLATE, Fuel Tank
7	6101 102	7						BOLT, Hex Head, M12x1.75x45
8	55136 160AE	1						SHIELD, Fuel Tank
9	3420 1631	6						RIVET, M6.25x28 Black
10								NUT, Heat Shield Attach, (NOT SERVICED)
11	52100 313AC	1				ER0, EVO		GUARD, Brush, Fuel Tank
-12	#52080 141AA	1				EX0		STRAP, Fuel Tank Left/Right Rear With Hitch[Support]
	#52080 142AA	2						Rear Strap Without Hitch [Support]
	#52080 143AA	2						Left Front

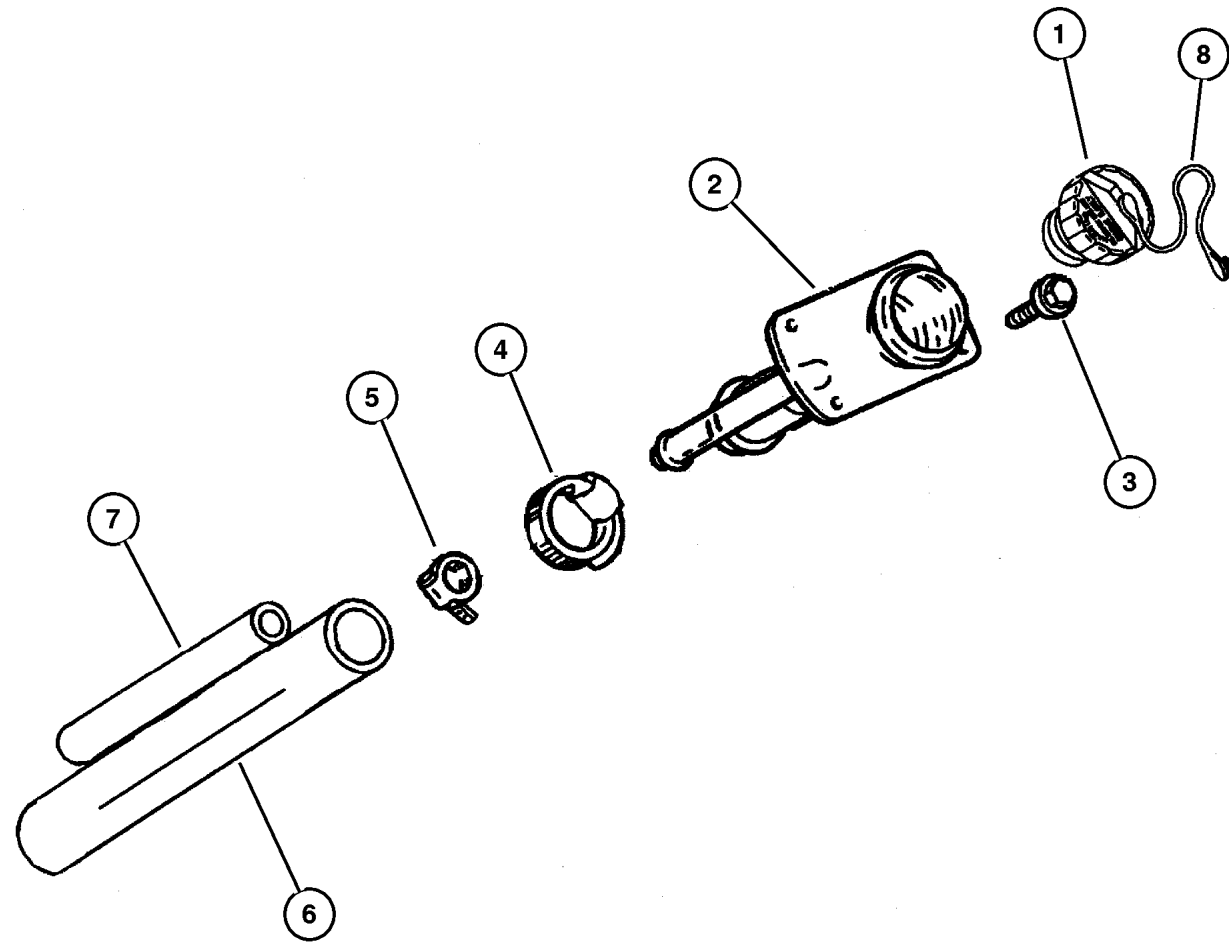
JEEP GRAND CHEROKEE (WJ)

SERIES	LINE	BODY	ENGINE	TRANSMISSION
H=Laredo	J = 4WD	74 = 4 Door(105.9 WB)	ER0, ERH = 4.0L, Power Tech I-6	DGK = 4 Speed Autm, 42RE
P=Limited	T = 2WD		EV0, EVA = 4.7L, Power Tech V8	DGW = 4 Speed Automatic, -44RE
	U = 4WD (RHD)		EXA, EX0 = 3.1L, 5 Cyl Turbo Diesel	DG4 = Multi Speed Automatic, -45RFE
				DGO = All Automatic

AR = Use as required - = Non illustrated part # = New this model year

April 3, 2002

**Fuel Tank Filler Tube 3.1L Diesel (EXA), 4.0L (ERH), 4.7L (EVA) Engine
Figure 014-210**



ITEM	PART NUMBER	QTY	LINE	SERIES	BODY	ENGINE	TRANS	DESCRIPTION
NOTE: EX0=All 3.1L Engines ER0=All 4.0L Engines EV0=All 4.7L Engines WD-Right Hand Drive---B=2 WD-Right Hand Drive								
1								CAP, Fuel Filler
	#5278 679AA	1						Locking
	52100 420AA	1						Non-Locking
2								TUBE, Fuel Filler
	52100 064AC	1				ER0, EV0		Federal, California, Canada
	#52100 267AD	1				ER0, EV0		Unleaded Fuel, Export
3	0154 236	3				EX0		Export, Export
4	6505 322AA	1				ER0, EV0 EX0		SCREW, Stake, .19-24 CLAMP, Hose
5		1						CLAMP, Hose, (NOT SERVICED)
6	52100 072AB	1				ER0, EV0 EX0		HOSE, Fuel Filler
7	52100 073AB	1				ER0, EV0 EX0		HOSE, Fuel Tank Vent
8	4682 676	1						TETHER, Fuel Filler Cap

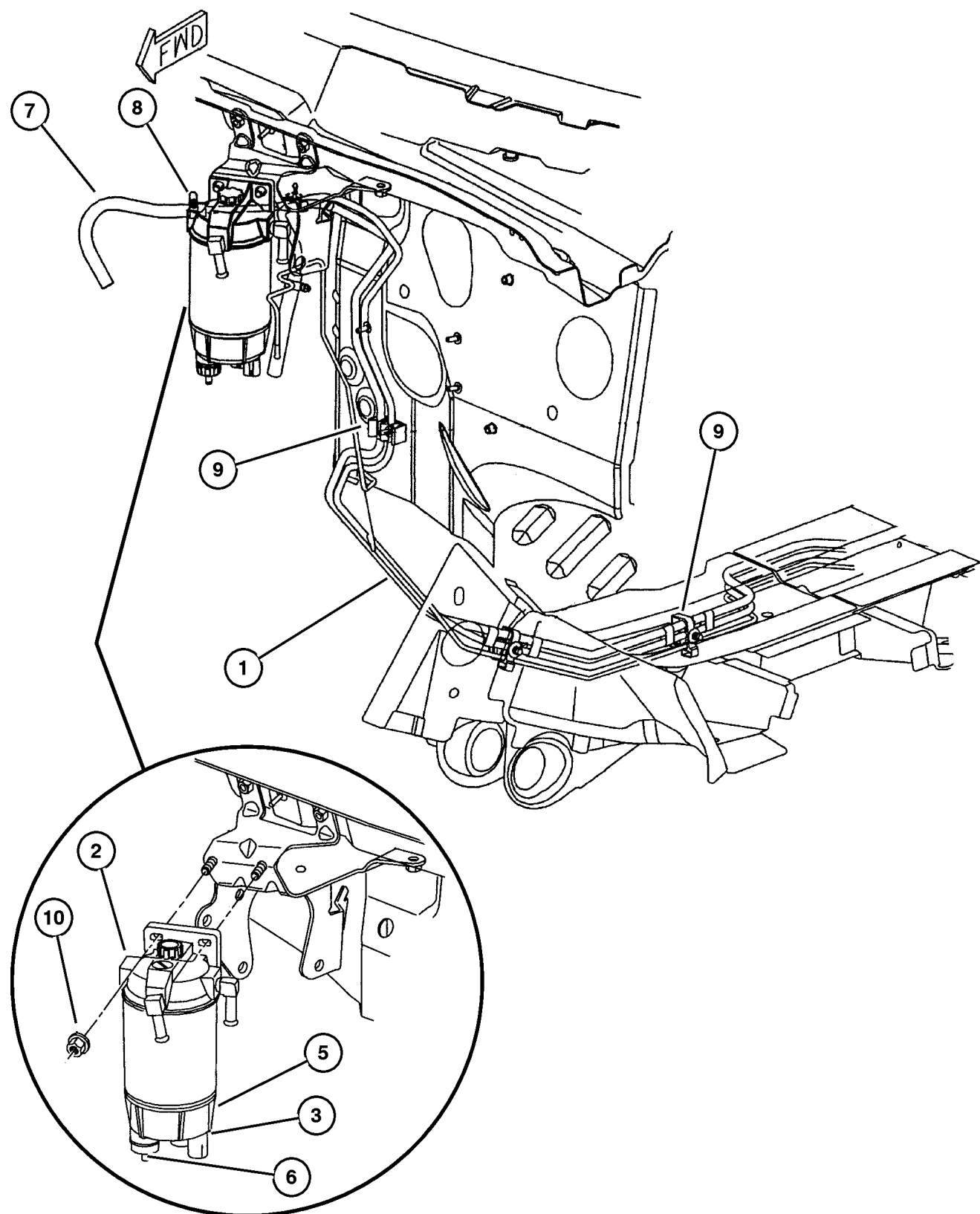
JEEP GRAND CHEROKEE (WJ)

SERIES	LINE	BODY	ENGINE	TRANSMISSION
H=Laredo	J = 4WD	74 = 4 Door(105.9 WB)	ER0, ERH = 4.0L, Power Tech I-6	DGK = 4 Speed Autm, 42RE
P=Limited	T = 2WD		EV0, EVA = 4.7L, Power Tech V8	DGW = 4 Speed Automatic, -44RE
	U = 4WD (RHD)		EXA, EX0 = 3.1L, 5 Cyl Turbo Diesel	DG4 = Multi Speed Automatic, -45RFE
				DGO = All Automatic

AR = Use as required - = Non illustrated part # = New this model year

April 3, 2002

**Front, Fuel Lines & Fuel Separator 3.1L (EXA) Diesel
Figure 014-310**



ITEM	PART NUMBER	QTY	LINE	SERIES	BODY	ENGINE	TRANS	DESCRIPTION
NOTE: WD-Right Hand Drive---B=2 WD-Right Hand Drive								
Sales Codes: WD-Right Hand Drive---B=2 WD-Right Hand Drive								
EX0=All Diesel Engines WD-Right Hand Drive---B=2 WD-Right Hand Drive								
1	#52100 189AD	1				EX0		BUNDLE, Fuel Line
2	5014 017AA	1				EX0		HEAD, Fuel Filter
3	4723 901	1				EX0		VALVE KIT, Fuel Filter Check
-4	4723 905	1				EX0		FILTER, Fuel
5	5014 018AA	1				EX0		BOWL, Fuel Filter
6	4723 907	1				EX0		DRAIN, Fuel Filter Bowl
7	HFV0 0038	1				EX0		HOSE, Fuel And Vapor, 25 Foot Roll 3/8"
8	52079 632AA	1				EX0		CLAMP, Oil Cooler Tube
9								CLAMP, Fuel Line, (NOT SERVICED)
10	6101 675	2				EX0		NUT, Hex Flange Lock, M8x1.25

JEEP GRAND CHEROKEE (WJ)

SERIES	LINE	BODY	ENGINE	TRANSMISSION
H=Laredo	J = 4WD	74 = 4 Door(105.9 WB)	ER0, ERH = 4.0L, Power Tech I-6	DGK = 4 Speed Autm, 42RE
P=Limited	T = 2WD		EVO, EVA = 4.7L, Power Tech V8	DGW = 4 Speed Automatic, -44RE
	U = 4WD (RHD)		EXA, EX0 = 3.1L, 5 Cyl Turbo Diesel	DG4 = Multi Speed Automatic, -45RFE
				DGO = All Automatic

AR = Use as required - = Non illustrated part # = New this model year

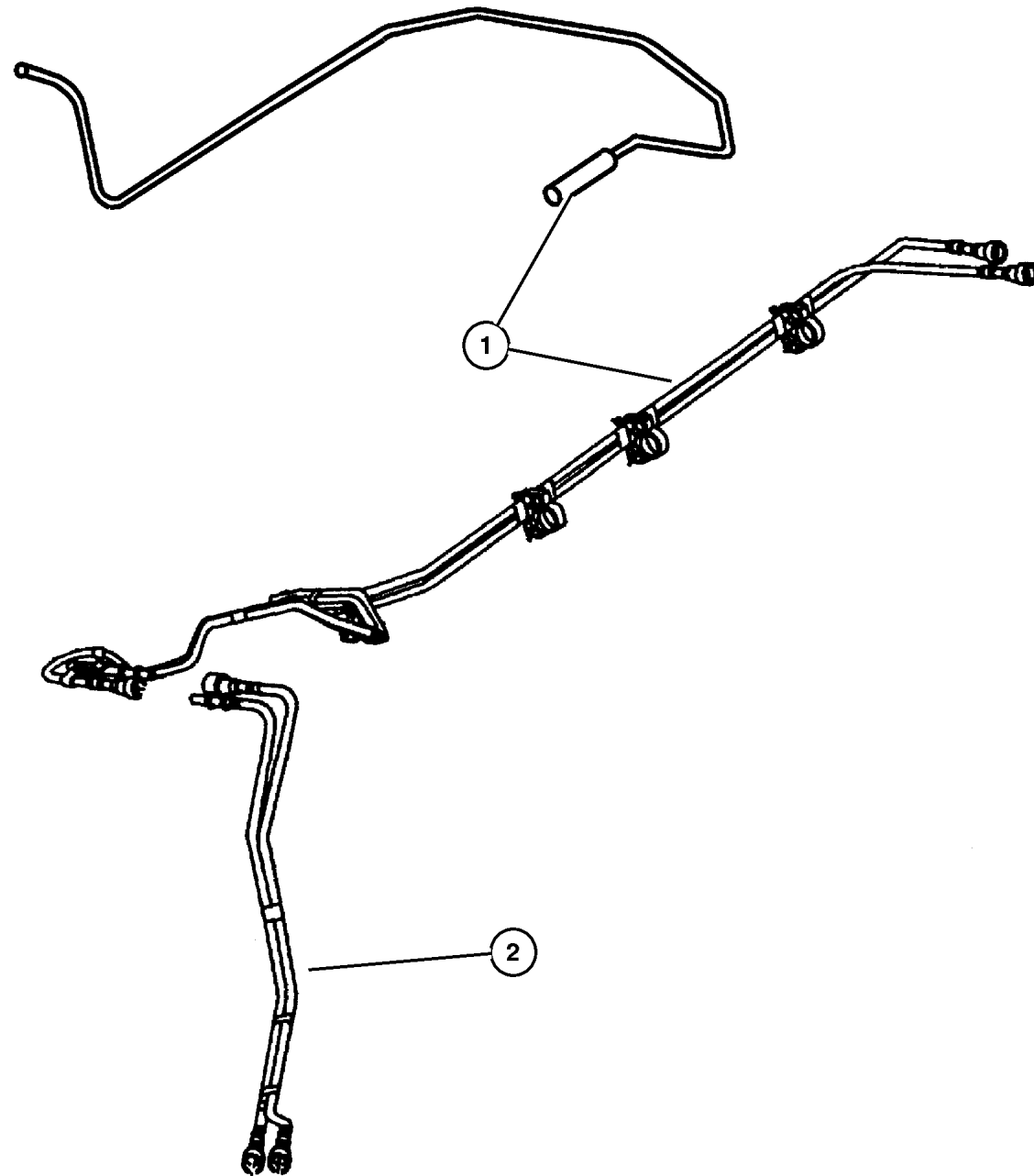
April 3, 2002

Fuel Lines, Rear 3.1L (EXA) Diesel Engine
Figure 014-320

ITEM	PART NUMBER	QTY	LINE	SERIES	BODY	ENGINE	TRANS	DESCRIPTION
------	-------------	-----	------	--------	------	--------	-------	-------------

NOTE: EX0=All 3.1L Engines WD-Right Hand Drive---B=2 WD-Right Hand Drive

1	#52100 189AD	1				EX0		BUNDLE, Fuel Line
2	52100 258AB	1				EX0		TUBE, Fuel



JEEP GRAND CHEROKEE (WJ)

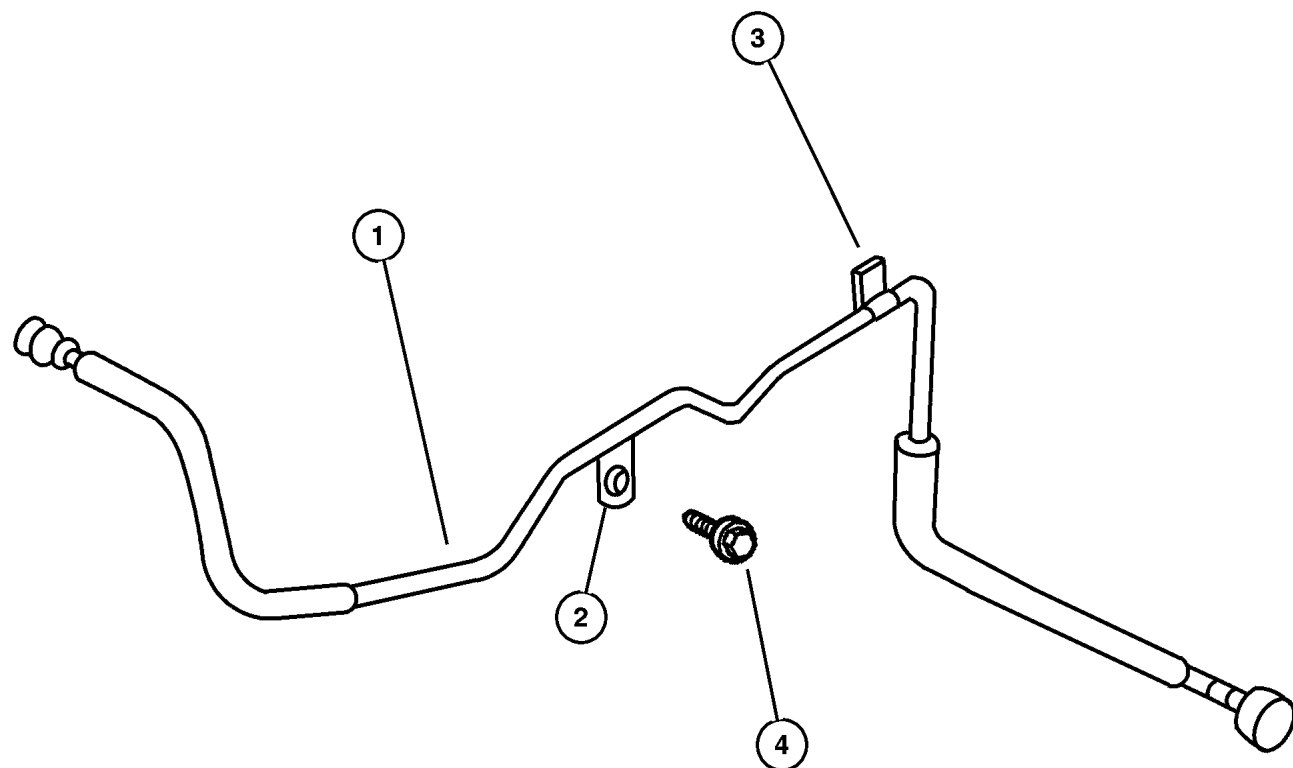
SERIES	LINE	BODY	ENGINE	TRANSMISSION
H=Laredo	J = 4WD	74 = 4 Door(105.9 WB)	ER0, ERH = 4.0L, Power Tech I-6	DGK = 4 Speed Autm, 42RE
P=Limited	T = 2WD		EV0, EVA = 4.7L, Power Tech V8	DGW = 4 Speed Automatic, -44RE
	U = 4WD (RHD)		EXA, EX0 = 3.1L, 5 Cyl Turbo Diesel	DG4 = Multi Speed Automatic, -45RFE
				DGO = All Automatic

AR = Use as required - = Non illustrated part # = New this model year

April 3, 2002

Fuel Lines, Front 4.0L (ERH) Engine
Figure 014-330

ITEM	PART NUMBER	QTY	LINE	SERIES	BODY	ENGINE	TRANS	DESCRIPTION
NOTE: ER0=All 4.0L Engines WD-Right Hand Drive---B=2 WD-Right Hand Drive								
1	#52100 041AF	1				ER0		BUNDLE, Fuel Line
2	52100 415AB	1				ER0		BRACKET, Fuel Line
3	#52100 482AA	1				ER0		BRACKET, Fuel Line
4	6101 786	1						SCREW, Self Tapping, M6x1x15

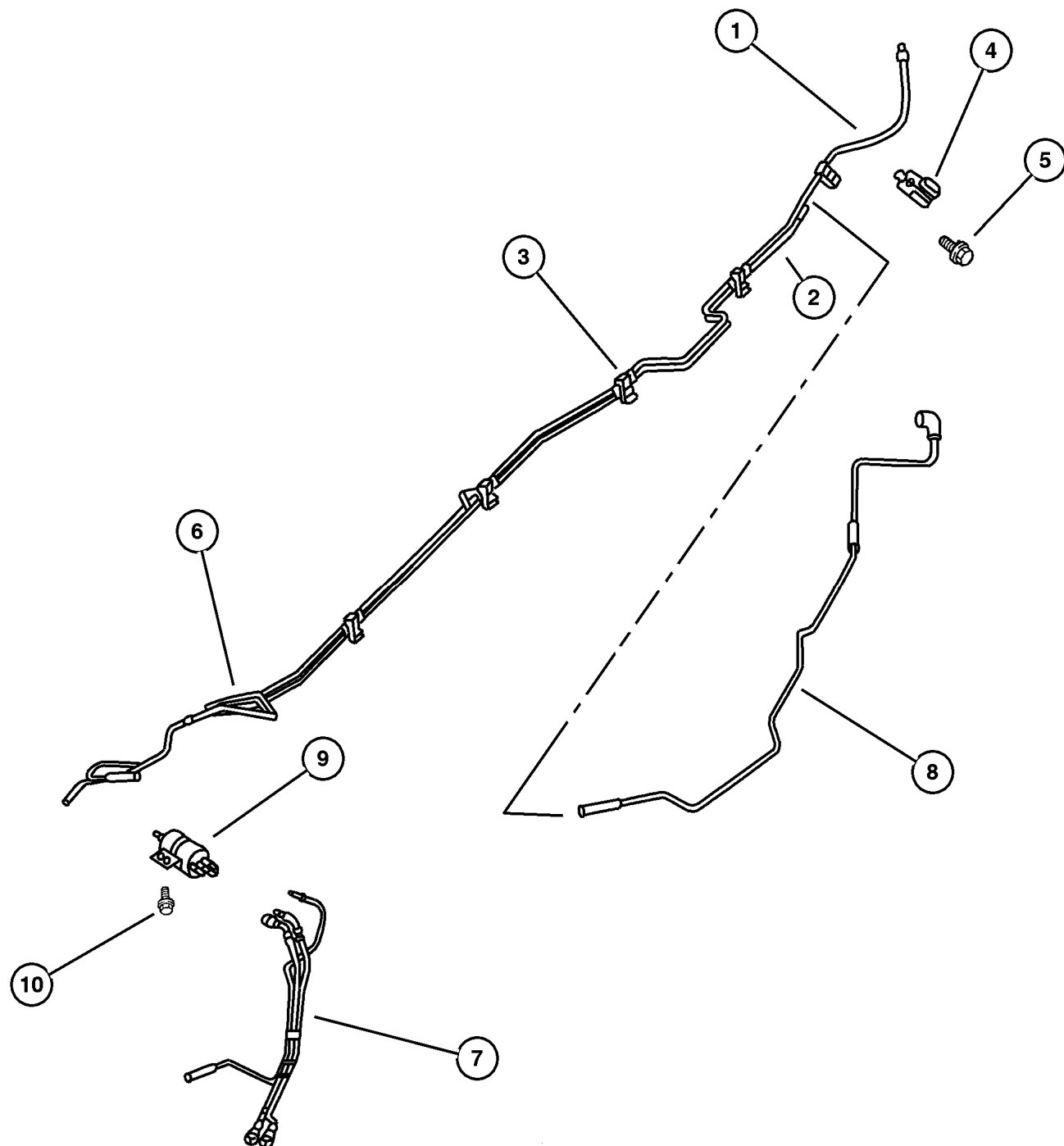


JEEP GRAND CHEROKEE (WJ)				
SERIES	LINE	BODY	ENGINE	TRANSMISSION
H=Laredo	J = 4WD	74 = 4 Door(105.9 WB)	ER0, ERH = 4.0L, Power Tech I-6	DGK = 4 Speed Autm, 42RE
P=Limited	T = 2WD		EV0, EVA = 4.7L, Power Tech V8	DGW = 4 Speed Automatic, -44RE
	U = 4WD (RHD)		EXA, EX0 = 3.1L, 5 Cyl Turbo Diesel	DG4 = Multi Speed Automatic, -45RFE
				DGO = All Automatic

AR = Use as required - = Non illustrated part # = New this model year

April 3, 2002

Fuel Lines, Rear 4.0L (ERH) Engine Figure 014-340



ITEM	PART NUMBER	QTY	LINE	SERIES	BODY	ENGINE	TRANS	DESCRIPTION
Note: WD-Right Hand Drive---B=2 WD-Right Hand Drive								
DG4 = Multi-Speed Automatic Transmission 45RFE WD-Right Hand Drive---B=2 WD-Right Hand Drive								
ER0 = All 4.0L 6 Cyl Gas Engines WD-Right Hand Drive---B=2 WD-Right Hand Drive								
EVO = All 4.7L Gas Engines WD-Right Hand Drive---B=2 WD-Right Hand Drive								
1	52100 249AD	1				ER0, EVO		TUBE, Fuel Supply
2	52100 253AD	1				ER0, EVO		TUBE, Fuel Vapor
3	4695 819	6				ER0, EVO		CLIP, Fuel Bundle
4	3420 2997	1				ER0, EVO		CLIP, Wrap Around Sealing
5								SCREW, (NOT SERVICED)
6	0120 526	1				ER0, EVO		CLIP, Fuel
7	52100 196AC	1				ER0, EVO		TUBE, Fuel
8	52100 049AB	1	J, T			ER0, EVO		TUBE, Fuel Vapor
9	52100 283AC	1				ER0, EVO		FILTER AND REGULATOR, Fuel
10	6101 777	2	J, T			EVO	DG4	SCREW, Hex Flange Head Tapping, M6x1.00x20.00

JEEP GRAND CHEROKEE (WJ)

SERIES	LINE	BODY	ENGINE	TRANSMISSION
H=Laredo	J = 4WD	74 = 4 Door(105.9 WB)	ER0, ERH = 4.0L, Power Tech I-6	DGK = 4 Speed Autm, 42RE
P=Limited	T = 2WD		EVO, EVA = 4.7L, Power Tech V8	DGW = 4 Speed Automatic, -44RE
	U = 4WD (RHD)		EXA, EX0 = 3.1L, 5 Cyl Turbo Diesel	DG4 = Multi Speed Automatic, -45RFE
				DGO = All Automatic

AR = Use as required - = Non illustrated part # = New this model year

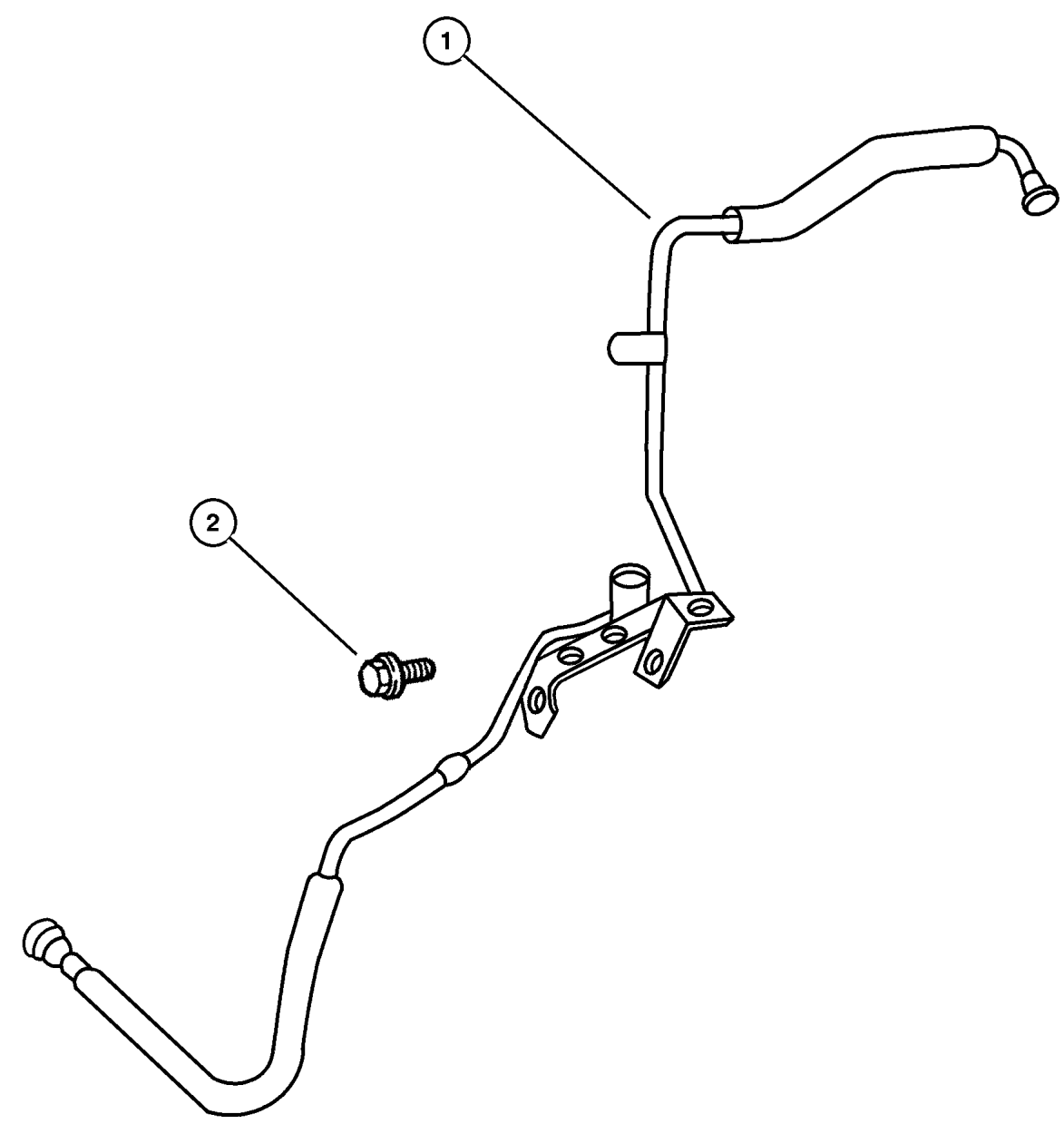
April 3, 2002

Fuel Lines, Front 4.7L (EVA) Engine
Figure 014-350

ITEM	PART NUMBER	QTY	LINE	SERIES	BODY	ENGINE	TRANS	DESCRIPTION
------	-------------	-----	------	--------	------	--------	-------	-------------

NOTE: EV0=All 4.7L Engines WD-Right Hand Drive---B=2 WD-Right Hand Drive

1	52100 043AD	1				EV0		BUNDLE, Fuel Line
2								SCREW, (NOT SERVICED)

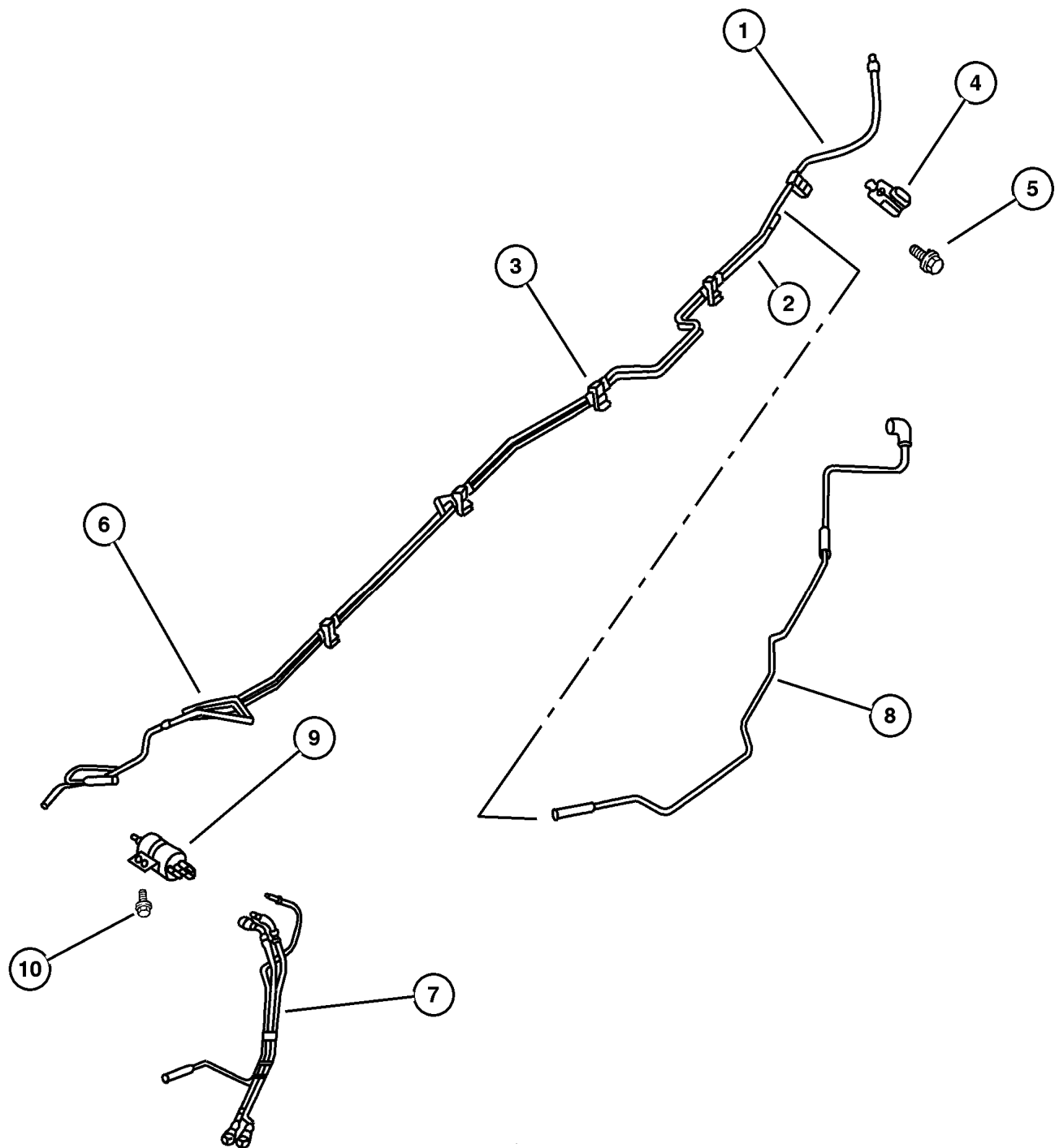


JEEP GRAND CHEROKEE (WJ)		BODY	ENGINE	TRANSMISSION
SERIES	LINE	74 = 4 Door(105.9 WB)	ER0, ERH = 4.0L, Power Tech I-6	DGK = 4 Speed Autm, 42RE
H=Laredo	J = 4WD		EV0, EVA = 4.7L, Power Tech V8	DGW = 4 Speed Automatic, -44RE
P=Limited	T = 2WD		EXA, EX0 = 3.1L, 5 Cyl Turbo Diesel	DG4 = Multi Speed Automatic, -45RFE
	U = 4WD (RHD)			DGO = All Automatic

AR = Use as required - = Non illustrated part # = New this model year

April 3, 2002

Fuel Lines, Rear 4.7L (EVA) Engine Figure 014-360



ITEM	PART NUMBER	QTY	LINE	SERIES	BODY	ENGINE	TRANS	DESCRIPTION
Note: WD-Right Hand Drive---B=2 WD-Right Hand Drive								
ER0 = All 4.0L 6 Cyl Gas Engines WD-Right Hand Drive---B=2 WD-Right Hand Drive								
EVO = All 4.7L Gas Engines WD-Right Hand Drive---B=2 WD-Right Hand Drive								
1	52100 249AD	1				ER0, EVO		TUBE, Fuel Supply
2	52100 253AD	1				ER0, EVO		TUBE, Fuel Vapor
3	4695 819	6				ER0, EVO		CLIP, Fuel Bundle
4	3420 2997	1				ER0, EVO		CLIP, Wrap Around Sealing
5								SCREW, (NOT SERVICED)
6	0120 526	1				ER0, EVO		CLIP, Fuel
7	52100 196AC	1				ER0, EVO		TUBE, Fuel
8	52100 049AB	1	J, T			ER0, EVO		TUBE, Fuel Vapor
9	52100 283AC	1				ER0, EVO		FILTER AND REGULATOR, Fuel
10	6101 777	2				ER0, EVO		SCREW, Hex Flange Head Tapping, M6x1.00x20.00

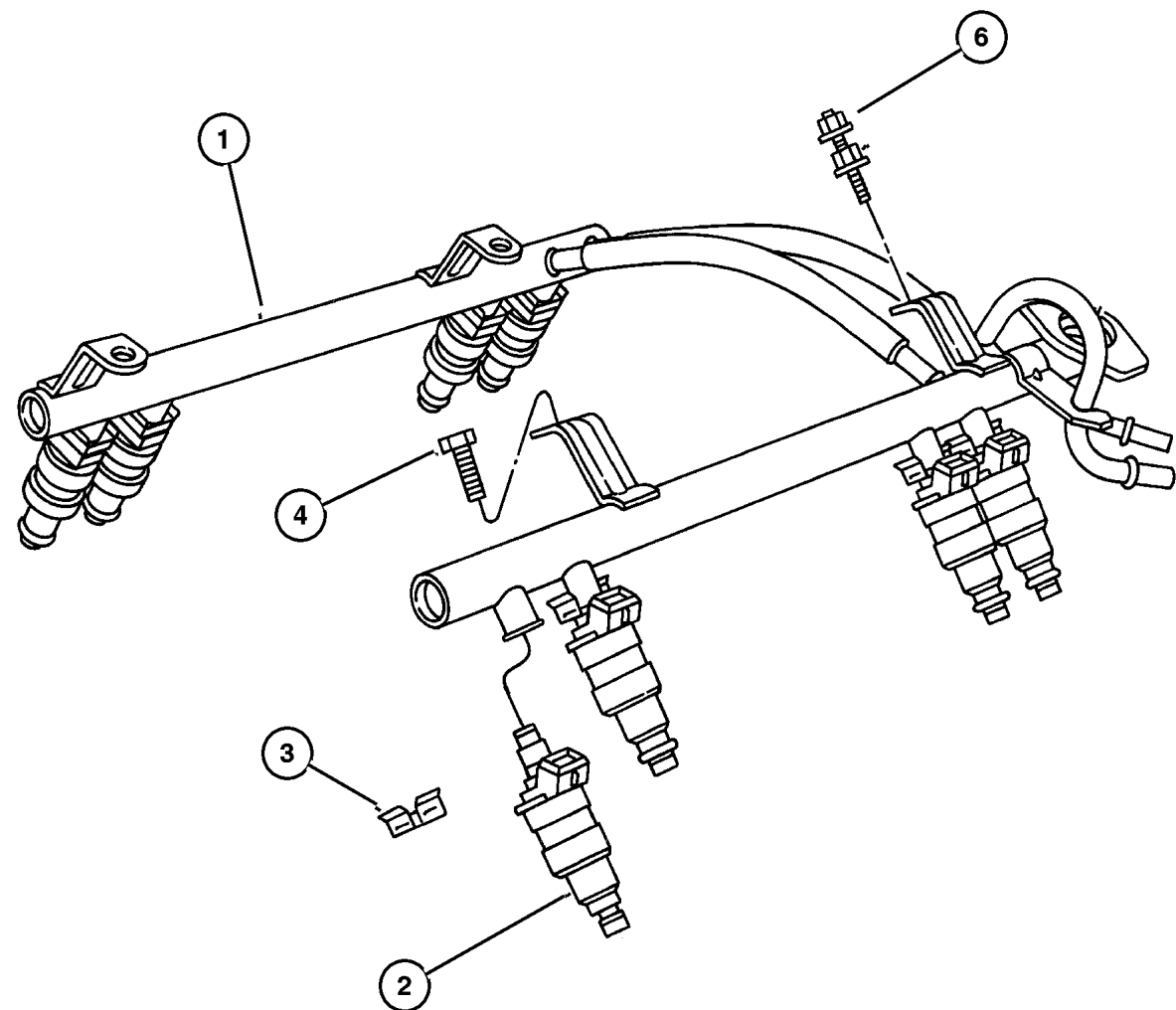
JEEP GRAND CHEROKEE (WJ)

SERIES	LINE	BODY	ENGINE	TRANSMISSION
H=Laredo	J = 4WD	74 = 4 Door(105.9 WB)	ER0, ERH = 4.0L, Power Tech I-6	DGK = 4 Speed Autm, 42RE
P=Limited	T = 2WD		EVO, EVA = 4.7L, Power Tech V8	DGW = 4 Speed Automatic, -44RE
	U = 4WD (RHD)		EXA, EX0 = 3.1L, 5 Cyl Turbo Diesel	DG4 = Multi Speed Automatic, -45RFE
				DGO = All Automatic

AR = Use as required - = Non illustrated part # = New this model year

April 3, 2002

**Fuel Rail 4.0L (ERH), 4.7L (EVA) Engine
Figure 014-410**



ITEM	PART NUMBER	QTY	LINE	SERIES	BODY	ENGINE	TRANS	DESCRIPTION
------	-------------	-----	------	--------	------	--------	-------	-------------

NOTE: WD-Right Hand Drive---B=2 WD-Right Hand Drive
 EM0 = All 5.9L 8 Cyl Gas Engines WD-Right Hand Drive---B=2 WD-Right Hand Drive
 ER0 = All 4.0L Engines WD-Right Hand Drive---B=2 WD-Right Hand Drive
 EV0 = All 4.7L Engines WD-Right Hand Drive---B=2 WD-Right Hand Drive

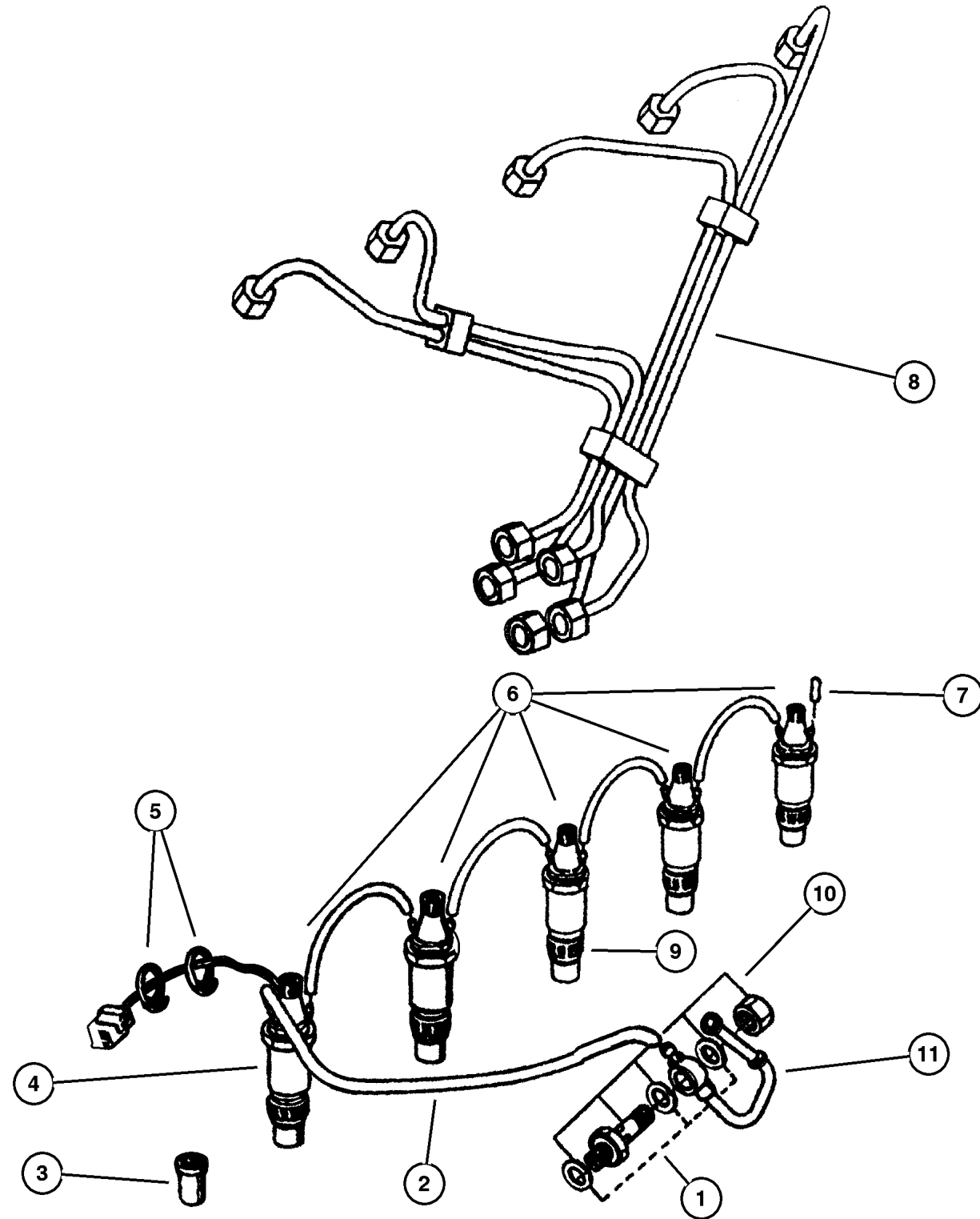
1								RAIL, Fuel
	5303 0848	1				EV0		
	5014 496AA	1				ER0		
2								INJECTOR, Fuel
	5303 0842	8				EV0		
	4854 181	6				ER0		
3								CLIP, Fuel Injector
	4418 257	8				EV0		
		6				ER0		
4	6501 979	2				ER0		SCREW AND WASHER, Hex Head, M6x1x17
-5	6505 504AA	4				EV0		SCREW
6	6502 647	2				ER0		STUD, M6x1.00x44
-7	6505 889AA	1				EV0		STUD
-8								CAP
	5018 781AA	1				ER0		Diagnostic Port
		1				EV0		Diagnostic Port
		1				EM0		Diagnostic Port

JEEP GRAND CHEROKEE (WJ)				
SERIES	LINE	BODY	ENGINE	TRANSMISSION
H=Laredo	J = 4WD	74 = 4 Door(105.9 WB)	ER0, ERH = 4.0L, Power Tech I-6	DGK = 4 Speed Autm, 42RE
P=Limited	T = 2WD		EV0, EVA = 4.7L, Power Tech V8	DGW = 4 Speed Automatic, -44RE
	U = 4WD (RHD)		EXA, EX0 = 3.1L, 5 Cyl Turbo Diesel	DG4 = Multi Speed Automatic, -45RFE
				DGO = All Automatic

AR = Use as required - = Non illustrated part # = New this model year

April 3, 2002

Fuel Injection System 3.1L (EXA) Diesel Engine Figure 014-440



ITEM	PART NUMBER	QTY	LINE	SERIES	BODY	ENGINE	TRANS	DESCRIPTION
NOTE: EX0=All 3.1L Engines DG0=All Automatic Transmissions WD-Right Hand Drive---B=2 WD-Right Hand Drive								
1	4720 703	5				EX0	DG0	WASHER, Plain
2	4720 190AB	1				EX0	DG0	PIPE, Fuel Spill Return
3	4723 346	5				EX0	DG0	NOZZLE, Fuel Injector
4	5014 990AA	1				EX0	DG0	INJECTOR, Fuel
5	4728 184	3				EX0	DG0	CLIP, Spill Return Pipe
6	4720 189AB	4				EX0	DG0	PIPE, Fuel Spill Return
7	4720 197	1				EX0	DG0	PLUG, Cylinder Block Oil Hole
8	5014 988AA	1				EX0	DG0	TUBE, Fuel Injector Supply
9	5014 989AA	4				EX0	DG0	INJECTOR, Fuel
10	4874 444	1				EX0	DG0	VALVE, Flow Control
11	4864 579	1				EX0	DG0	BANJO, Fuel

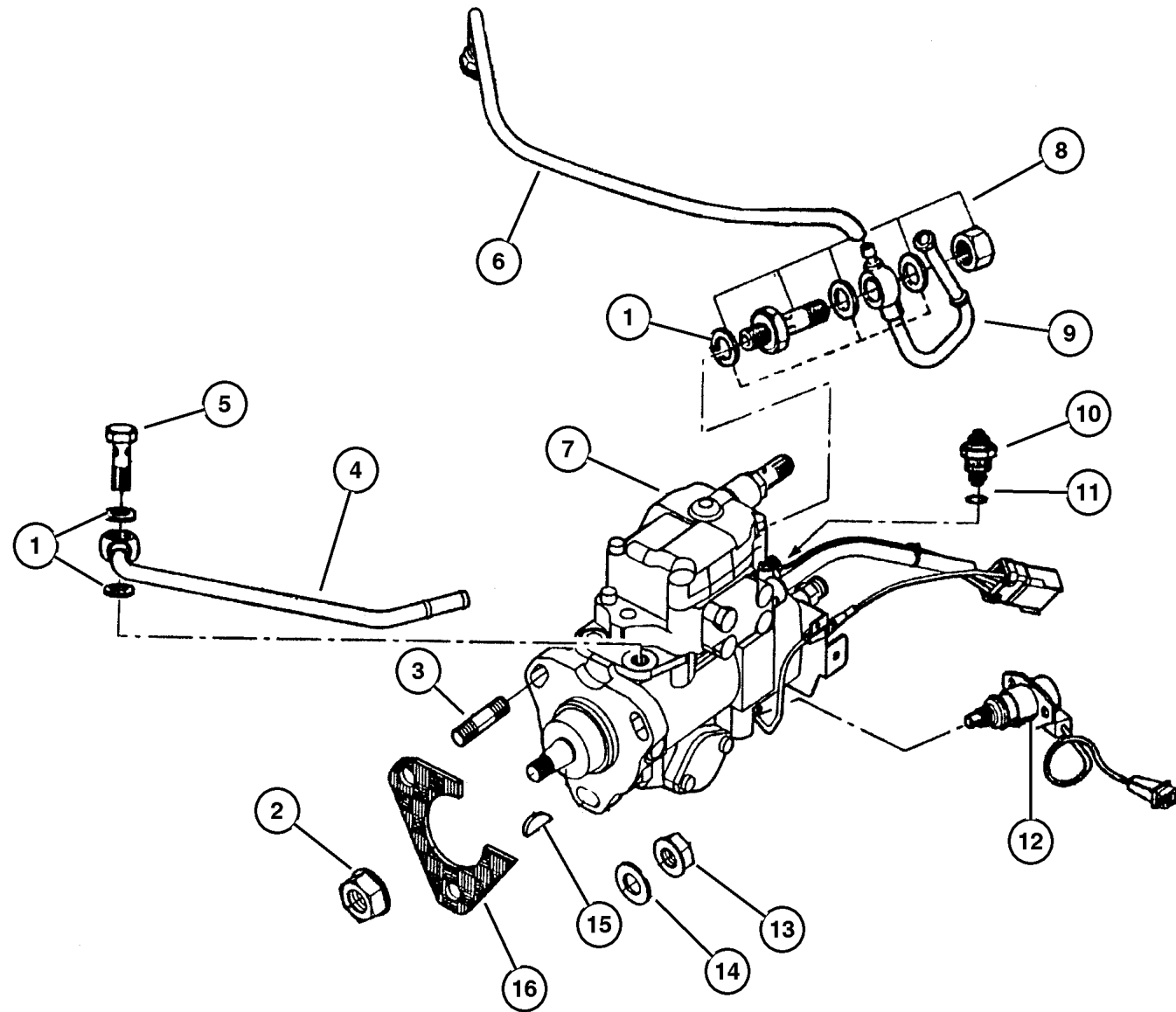
JEEP GRAND CHEROKEE (WJ)

SERIES	LINE	BODY	ENGINE	TRANSMISSION
H=Laredo	J = 4WD	74 = 4 Door(105.9 WB)	ER0, ERH = 4.0L, Power Tech I-6	DGK = 4 Speed Autm, 42RE
P=Limited	T = 2WD		EVO, EVA = 4.7L, Power Tech V8	DGW = 4 Speed Automatic, -44RE
	U = 4WD (RHD)		EXA, EX0 = 3.1L, 5 Cyl Turbo Diesel	DG4 = Multi Speed Automatic, -45RFE
				DGO = All Automatic

AR = Use as required - = Non illustrated part # = New this model year

April 3, 2002

Fuel Injection Pump 3.1L (EVA) Diesel Engine Figure 014-460



ITEM	PART NUMBER	QTY	LINE	SERIES	BODY	ENGINE	TRANS	DESCRIPTION
NOTE: EX0=All 3.1L Engines DG0=All Automatic Transmissions WD-Right Hand Drive---B=2 WD-Right Hand Drive								
1	4720 703	2				EX0	DG0	WASHER, Plain
2	4883 402AA	1				EX0	DG0	NUT
3	4723 241	3				EX0	DG0	STUD
4	5014 991AA	1				EX0	DG0	BANJO, Fuel
5	4720 367	1				EX0	DG0	BOLT, Banjo
6	4720 190AB	1				EX0	DG0	PIPE, Fuel Spill Return
7	5014 992AA	1				EX0	DG0	PUMP, Fuel Injection
8	4874 444	1				EX0	DG0	VALVE, Flow Control
9	4864 579	1				EX0	DG0	BANJO, Fuel
10	4723 264	1				EX0	DG0	SOLENOID, Fuel Shut Off Valve
11	4723 266	1				EX0	DG0	O RING, Fuel Solenoid
12	4797 786	1				EX0	DG0	ADVANCE, Automatic Injection
13	4778 961	3				EX0	DG0	NUT
14	4720 193	3				EX0	DG0	WASHER, Flat
15	4720 198	1				EX0	DG0	KEY, Fuel Injection Pump
16	4720 196	1				EX0	DG0	GASKET, Injection Pump

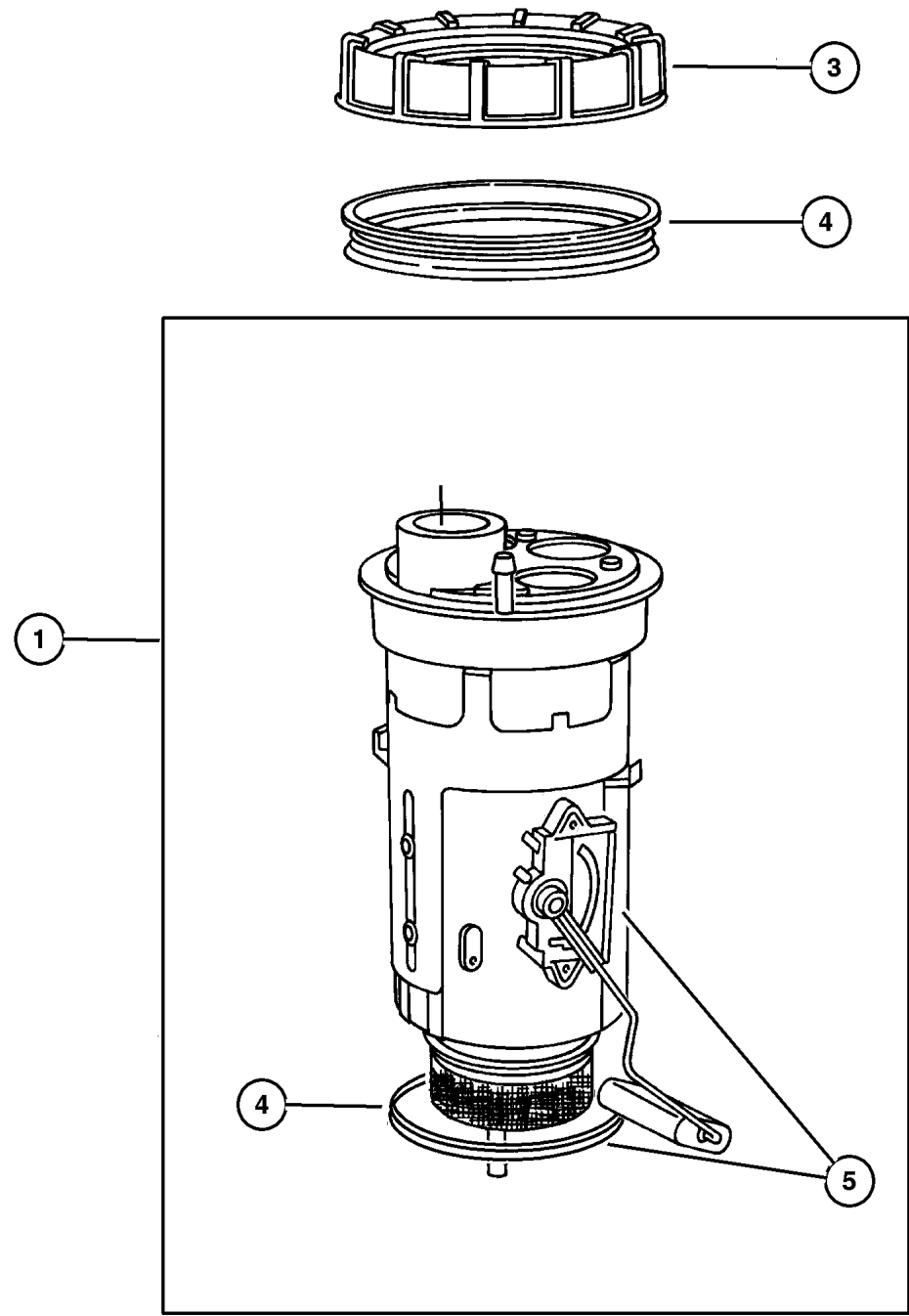
JEEP GRAND CHEROKEE (WJ)

SERIES	LINE	BODY	ENGINE	TRANSMISSION
H=Laredo	J = 4WD	74 = 4 Door(105.9 WB)	ER0, ERH = 4.0L, Power Tech I-6	DGK = 4 Speed Autm, 42RE
P=Limited	T = 2WD		EV0, EVA = 4.7L, Power Tech V8	DGW = 4 Speed Automatic, -44RE
	U = 4WD (RHD)		EXA, EX0 = 3.1L, 5 Cyl Turbo Diesel	DG4 = Multi Speed Automatic, -45RFE
				DGO = All Automatic

AR = Use as required - = Non illustrated part # = New this model year

April 3, 2002

Fuel Pump and Sending Unit 3.1L Diesel (EXA), 4.0L (ERH), 4.7L (EVA) Engine
Figure 014-510



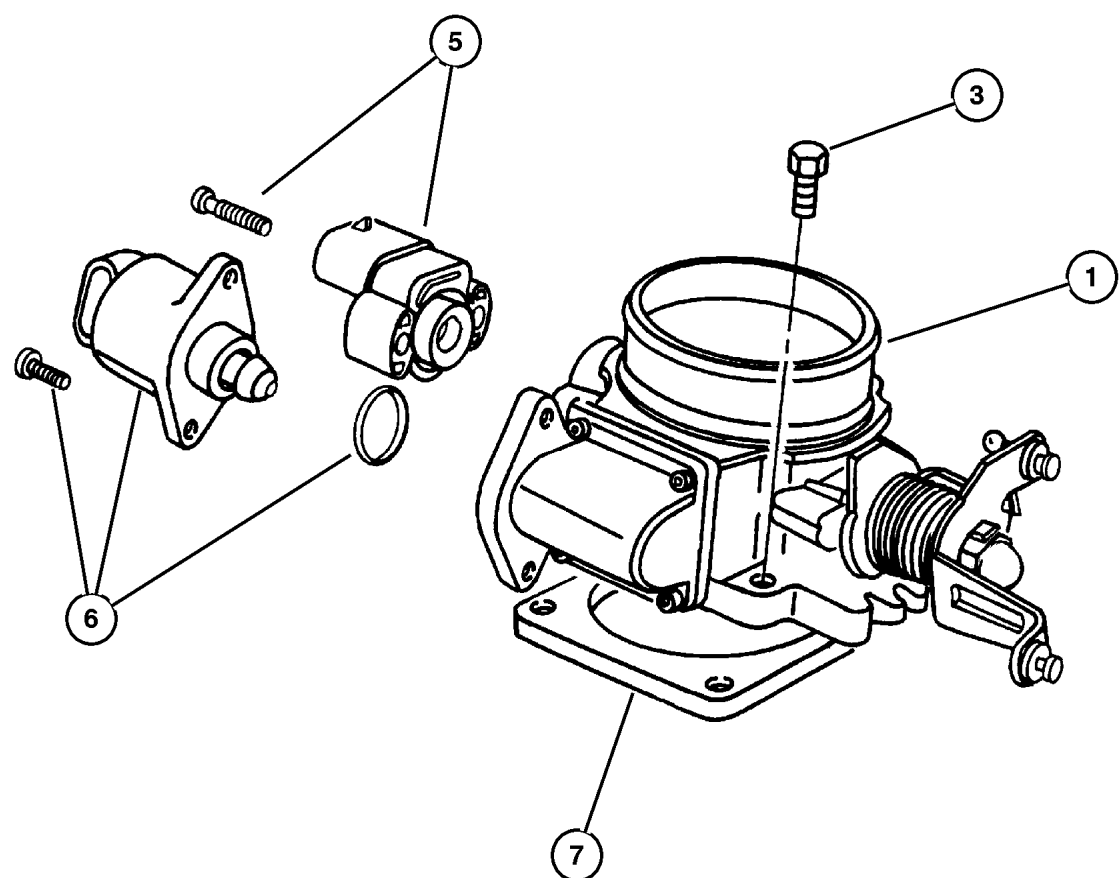
ITEM	PART NUMBER	QTY	LINE	SERIES	BODY	ENGINE	TRANS	DESCRIPTION
NOTE: EX0=All 3.1L Engines ER0=All 4.0L Engines EV0=4.7L Engines WD-Right Hand Drive---B=2 WD-Right Hand Drive								
1	5012 380AA	1				ER0, EV0		MODULE PACKAGE, Fuel Pump/Level Unit
-2	5013 451AA	1				EX0		MODULE PACKAGE, Fuel Tank
3								NUT, Fuel Pump Module
	5200 5389	1				ER0, EV0		
		1				EX0		
4								SEAL, Fuel Pump and Level Unit
	5201 8808	1				ER0, EV0		
		1				EX0		
5	5013 584AA	1				ER0, EV0		LEVEL UNIT PACKAGE, Fuel

JEEP GRAND CHEROKEE (WJ)				
SERIES	LINE	BODY	ENGINE	TRANSMISSION
H=Laredo	J = 4WD	74 = 4 Door(105.9 WB)	ER0, ERH = 4.0L, Power Tech I-6	DGK = 4 Speed Autm, 42RE
P=Limited	T = 2WD		EV0, EVA = 4.7L, Power Tech V8	DGW = 4 Speed Automatic, -44RE
	U = 4WD (RHD)		EXA, EX0 = 3.1L, 5 Cyl Turbo Diesel	DG4 = Multi Speed Automatic, -45RFE
				DGO = All Automatic

AR = Use as required - = Non illustrated part # = New this model year

April 3, 2002

**Throttle Body 4.0L (ERH), 4.7L (EVA) Engine
Figure 014-610**



ITEM	PART NUMBER	QTY	LINE	SERIES	BODY	ENGINE	TRANS	DESCRIPTION
NOTE: ER0=All 4.0L Engines EV0=All 4.7L Engines WD-Right Hand Drive---B=2 WD-Right Hand Drive								
1								THROTTLE BODY
	53032 023AC	1				ER0		
	#53013 241AC	1				EV0		
-2	8350 3642	1				EV0		O RING, Throttle Body
3	6503 929	4				ER0		SCREW AND WASHER, Coned Pilot, M6x1x30
-4								SCREW, M6x1x40, (NOT SERVICED)
5								SENSOR, Throttle Position
	4874 371AC	1				ER0		
	4882 219	1				EV0		
6								MOTOR, Air Idle Speed
	4874 373AB	1				ER0		
	5303 0840	1				EV0		
7	5300 7543	1				ER0		GASKET, Throttle Body
-8	5303 0952	1				EV0		GASKET, Throttle Body To Intake

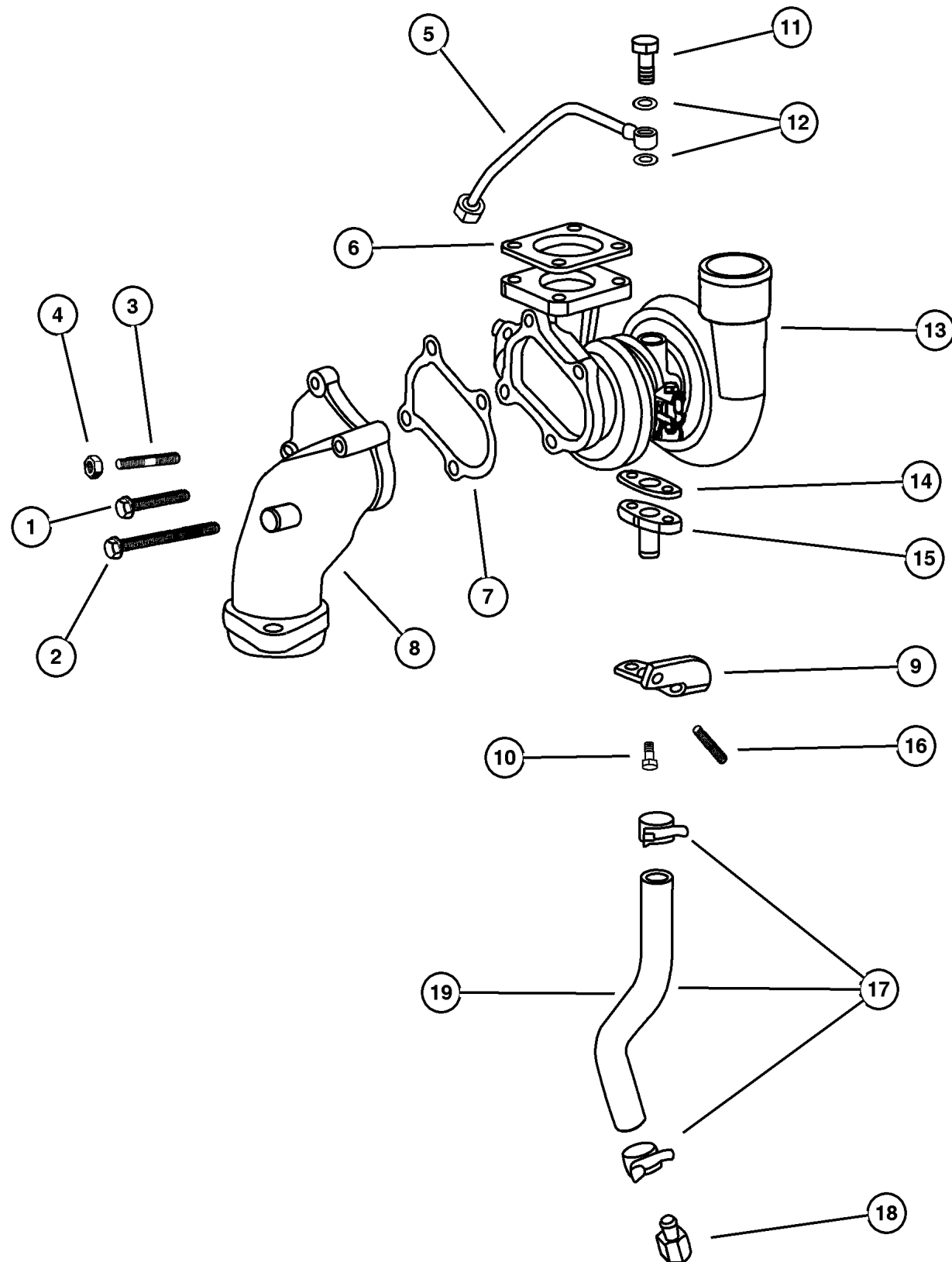
JEEP GRAND CHEROKEE (WJ)

SERIES	LINE	BODY	ENGINE	TRANSMISSION
H=Laredo	J = 4WD	74 = 4 Door(105.9 WB)	ER0, ERH = 4.0L, Power Tech I-6	DGK = 4 Speed Autm, 42RE
P=Limited	T = 2WD		EV0, EVA = 4.7L, Power Tech V8	DGW = 4 Speed Automatic, -44RE
	U = 4WD (RHD)		EXA, EX0 = 3.1L, 5 Cyl Turbo Diesel	DG4 = Multi Speed Automatic, -45RFE
				DGO = All Automatic

AR = Use as required - = Non illustrated part # = New this model year

April 3, 2002

Turbocharger 3.1L (EXA) Engine Figure 014-660



ITEM	PART NUMBER	QTY	LINE	SERIES	BODY	ENGINE	TRANS	DESCRIPTION
NOTE: EX0=All 3.1L Engines DG0=All Automatic Transmissions WD-Right Hand Drive---B=2 WD-Right Hand Drive								
1	5015 031AA	1				EX0	DG0	SCREW
2	5015 032AA	1				EX0	DG0	SCREW
3	4863 803	2				EX0	DG0	STUD
4	4882 610	2				EX0	DG0	NUT, Lock
5	5015 023AA	1				EX0	DG0	TUBE, Turbo Oil Feed
6	5015 027AA	1				EX0	DG0	GASKET, Manifold To Turbo
7	5015 028AA	1				EX0	DG0	GASKET, Turbo Exhaust Outlet
8	5015 022AA	1				EX0	DG0	ELBOW, Turbo Exhaust Outlet
9	5015 021AA	1				EX0	DG0	BRACKET
10	4864 551	1				EX0	DG0	SCREW
11	4720 367	1				EX0	DG0	BOLT, Banjo
12	4720 703	2				EX0	DG0	WASHER, Plain
13	5015 030AA	1				EX0	DG0	TURBOCHARGER
14	4796 007AB	1				EX0	DG0	GASKET, Turbo Oil Return Pipe
15	5015 024AA	1				EX0	DG0	TUBE, Oil Drain
16	4886 035AA	1				EX0	DG0	STUD, M6x1.0x30
17	4886 052AA	2				EX0	DG0	CLAMP, Heater Hose
18	5015 026AA	1				EX0	DG0	ADAPTER, Oil Drain Pipe
19	5015 025AA	1				EX0	DG0	PIPE, Oil Return

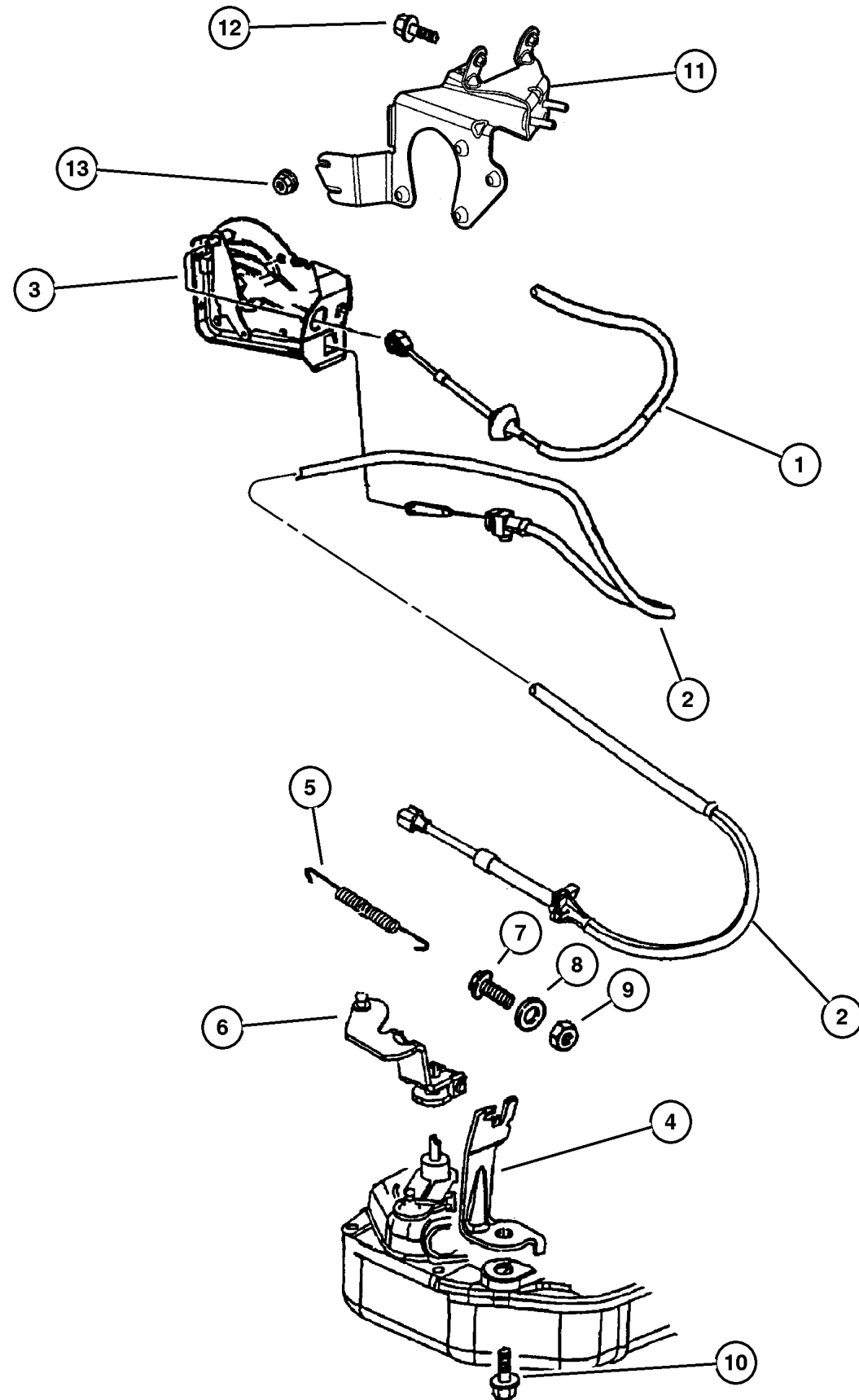
JEEP GRAND CHEROKEE (WJ)

SERIES	LINE	BODY	ENGINE	TRANSMISSION
H=Laredo	J = 4WD	74 = 4 Door(105.9 WB)	ER0, ERH = 4.0L, Power Tech I-6	DGK = 4 Speed Autm, 42RE
P=Limited	T = 2WD		EVO, EVA = 4.7L, Power Tech V8	DGW = 4 Speed Automatic, -44RE
	U = 4WD (RHD)		EXA, EX0 = 3.1L, 5 Cyl Turbo Diesel	DG4 = Multi Speed Automatic, -45RFE
				DGO = All Automatic

AR = Use as required - = Non illustrated part # = New this model year

April 3, 2002

Throttle Controls 3.1L (EXA) Diesel Engine Figure 014-710



ITEM	PART NUMBER	QTY	LINE	SERIES	BODY	ENGINE	TRANS	DESCRIPTION
NOTE: WD-Right Hand Drive---B=2 WD-Right Hand Drive								
DGK = 4 Speed Transmission 42RE WD-Right Hand Drive---B=2 WD-Right Hand Drive								
DGW = 4 Speed Automatic Transmission 44RE WD-Right Hand Drive---B=2 WD-Right Hand Drive								
ER0 = All 4.0L Engines WD-Right Hand Drive---B=2 WD-Right Hand Drive								
EV0 = All 4.7L Gas Engines WD-Right Hand Drive---B=2 WD-Right Hand Drive								
EX0 = All Turbo Diesel Engines WD-Right Hand Drive---B=2 WD-Right Hand Drive								
1	4854 254AB	1	J, T			EX0		CABLE, Accelerator
2	52104 232AA	1				EX0	DGW	CABLE, Throttle Valve
3	53031 575AD	1				EX0	DGW	BELLCRANK, Accelerator and Cruise
4	5207 8867	1				ER0, EX0		BRACKET, Cable
5	5300 9055	1					DGK, DGW	SPRING, Throttle Valve Return
6	52078 723AB	1				ER0, EX0		LEVER, Throttle Valve
7	0181 065	1				ER0, EX0		BOLT, Hex Head, .25-20x1.00
8	0138 165	1				ER0, EX0		WASHER, Lock
9	J012 0375	1					DGW	NUT, Hex, .250-20
10	0181 112	1					DGK, DGW	SCREW AND WASHER, .375-16x1.00
11	53013 049AA	1				EX0	DGW	BRACKET, Bellcrank
12	6101 221	3				EX0		SCREW
13	3420 1358	2				EX0	DGW	NUT AND WASHER, Hex Nut-Sealing Washer, M6 x 1.00

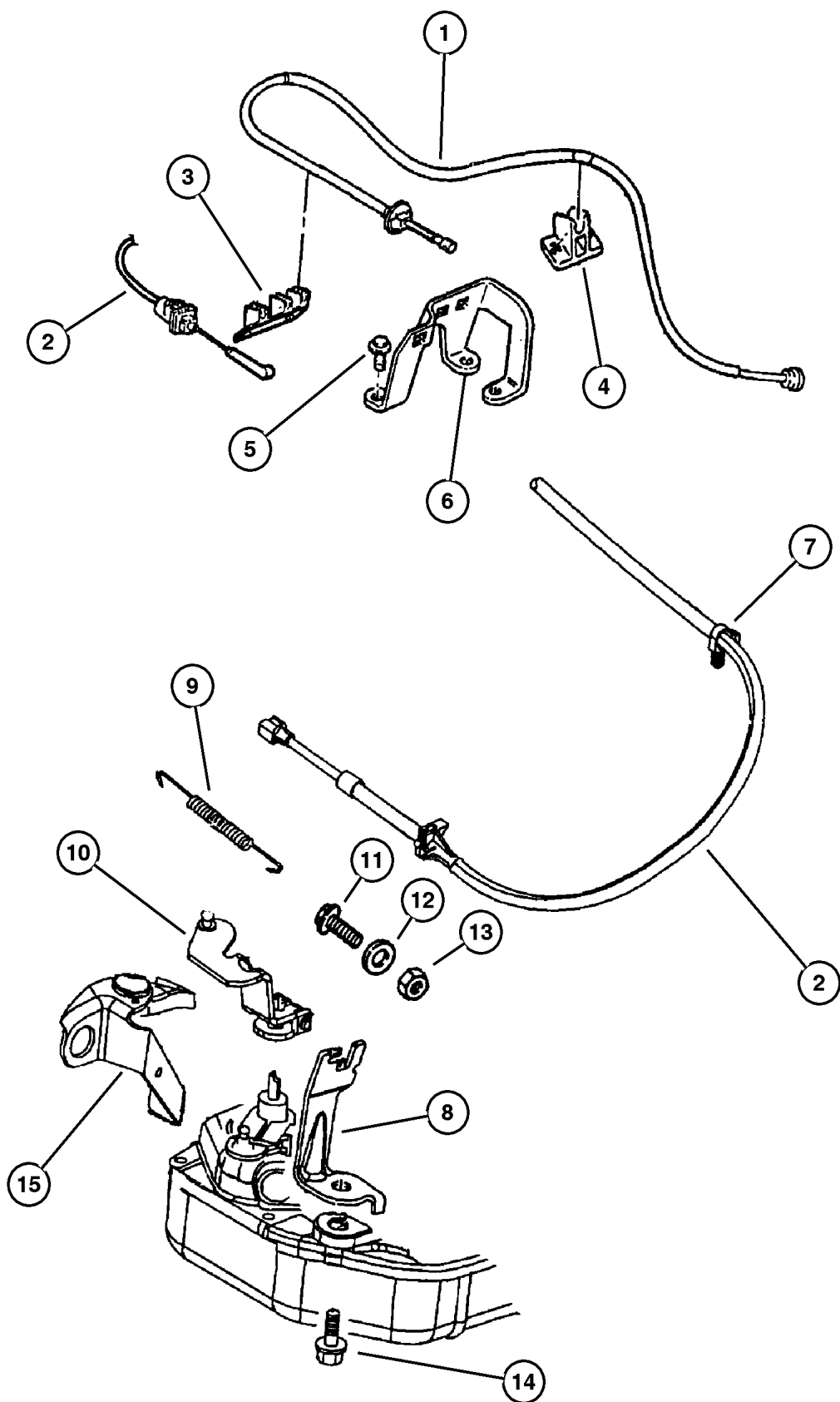
JEEP GRAND CHEROKEE (WJ)

SERIES	LINE	BODY	ENGINE	TRANSMISSION
H=Laredo	J = 4WD	74 = 4 Door(105.9 WB)	ER0, ERH = 4.0L, Power Tech I-6	DGK = 4 Speed Autm, 42RE
P=Limited	T = 2WD		EV0, EVA = 4.7L, Power Tech V8	DGW = 4 Speed Automatic, -44RE
	U = 4WD (RHD)		EXA, EX0 = 3.1L, 5 Cyl Turbo Diesel	DG4 = Multi Speed Automatic, -45RFE
				DGO = All Automatic

AR = Use as required - = Non illustrated part # = New this model year

April 3, 2002

Throttle Controls 4.0L (ERH) Engine Figure 014-720



ITEM	PART NUMBER	QTY	LINE	SERIES	BODY	ENGINE	TRANS	DESCRIPTION
NOTE: WD-Right Hand Drive---B=2 WD-Right Hand Drive								
DGK = 4 Speed Transmission 42RE WD-Right Hand Drive---B=2 WD-Right Hand Drive								
DGW = 4 Speed Automatic Transmission 44RE WD-Right Hand Drive---B=2 WD-Right Hand Drive								
ER0 = All 4.0L Engines WD-Right Hand Drive---B=2 WD-Right Hand Drive								
EVO = All 4.7L Gas Engines WD-Right Hand Drive---B=2 WD-Right Hand Drive								
EX0 = All Turbo Diesel Engines WD-Right Hand Drive---B=2 WD-Right Hand Drive								
1	4854 150	1	J, T			ER0		CABLE, Accelerator
2	52104 284AA	1					DGK	CABLE, Throttle Valve
3	5207 9029	1				ER0		GUIDE, Accelerator Cable
4	5207 8987	1	J, T			ER0		GUIDE, Accelerator Cable
5	6501 979	3				ER0		SCREW AND WASHER, Hex Head, M6x1x17
6	53013 160AA	1				ER0		BRACKET, Accelerator Cable
7	J400 5701	1	J, U					CLIP
8	5207 8867	1				ER0, EX0		BRACKET, Cable
9	5300 9055	1					DGK, DGW	SPRING, Throttle Valve Return
10	52078 723AB	1				ER0, EX0		LEVER, Throttle Valve
11	0181 065	1				ER0, EX0		BOLT, Hex Head, .25-20x1.00
12	0138 165	1				ER0, EX0		WASHER, Lock
13	J012 0375	1					DGW	NUT, Hex, .250-20
14	0181 112	1					DGK, DGW	SCREW AND WASHER, .375-16x1.00
15	5210 4057	1					DGK	BRACKET, Shift Cable

JEEP GRAND CHEROKEE (WJ)

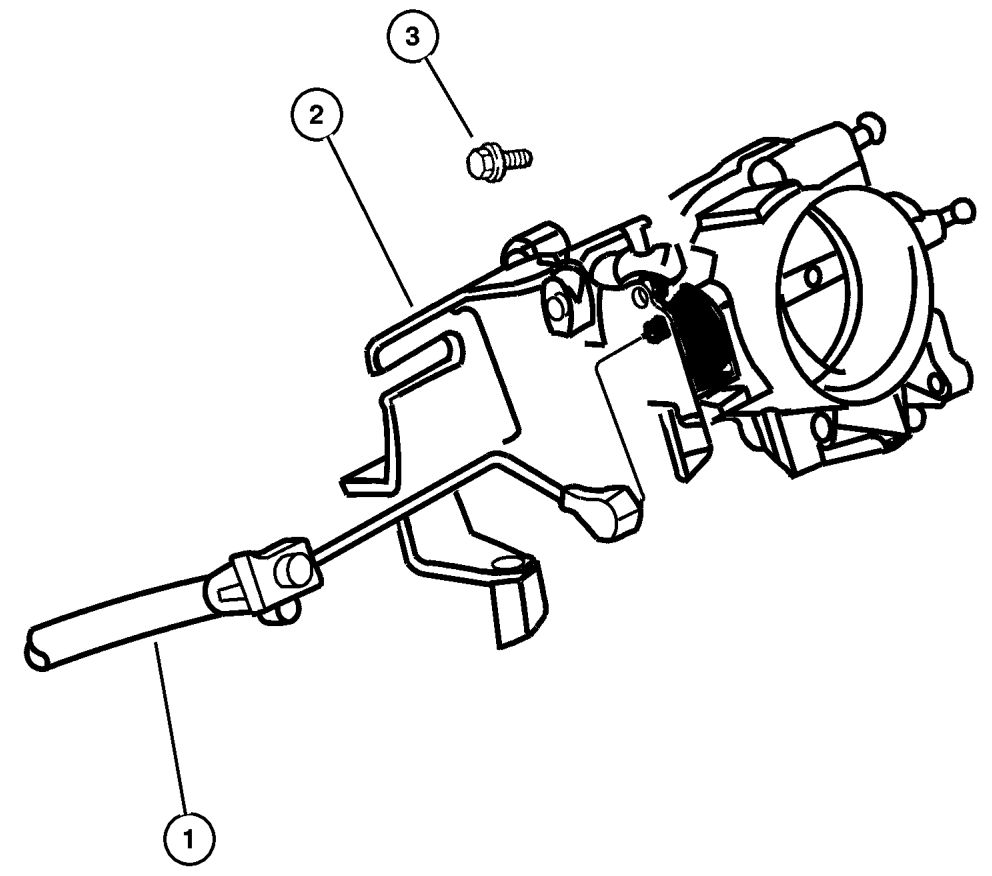
SERIES	LINE	BODY	ENGINE	TRANSMISSION
H=Laredo	J = 4WD	74 = 4 Door(105.9 WB)	ER0, ERH = 4.0L, Power Tech I-6	DGK = 4 Speed Autm, 42RE
P=Limited	T = 2WD		EVO, EVA = 4.7L, Power Tech V8	DGW = 4 Speed Automatic, -44RE
	U = 4WD (RHD)		EXA, EX0 = 3.1L, 5 Cyl Turbo Diesel	DG4 = Multi Speed Automatic, -45RFE
				DGO = All Automatic

AR = Use as required - = Non illustrated part # = New this model year

April 3, 2002

**Throttle Controls 4.7L (EVA) Engine
Figure 014-730**

ITEM	PART NUMBER	QTY	LINE	SERIES	BODY	ENGINE	TRANS	DESCRIPTION
NOTE: EV0=All 4.7L Engines WD-Right Hand Drive---B=2 WD-Right Hand Drive								
1	4854 061	1	J, T			EV0		CABLE, Accelerator Use Only If Stamped 4854061
	#4854 061AB	1	J, T			EV0		
2	53031 683AA	1				EV0		BRACKET, Accelerator Cable
3								SCREW, M6X1.00X16.00, (NOT SERVICED)



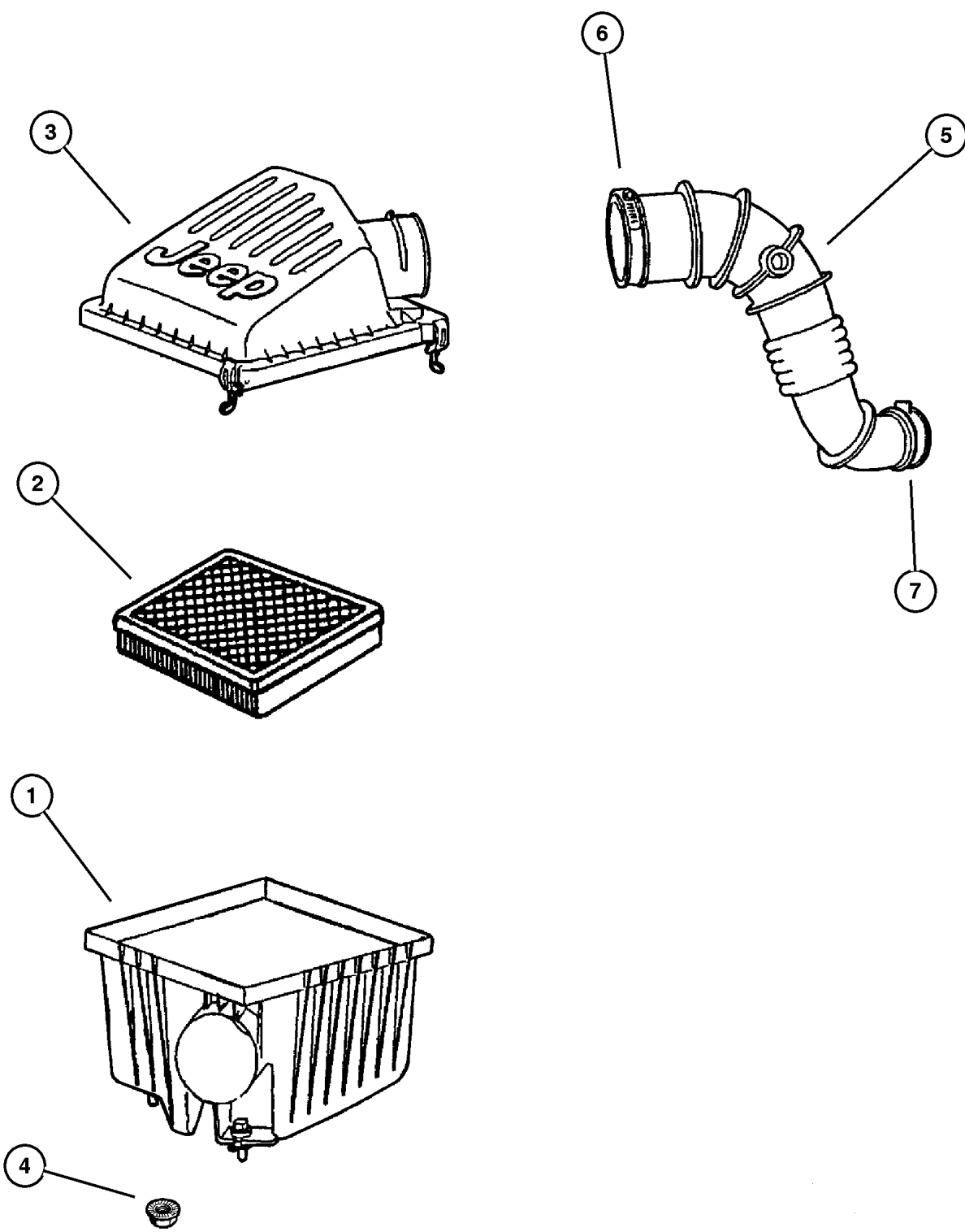
JEEP GRAND CHEROKEE (WJ)				
SERIES	LINE	BODY	ENGINE	TRANSMISSION
H=Laredo	J = 4WD	74 = 4 Door(105.9 WB)	ER0, ERH = 4.0L, Power Tech I-6	DGK = 4 Speed Autm, 42RE
P=Limited	T = 2WD		EV0, EVA = 4.7L, Power Tech V8	DGW = 4 Speed Automatic, -44RE
	U = 4WD (RHD)		EXA, EX0 = 3.1L, 5 Cyl Turbo Diesel	DG4 = Multi Speed Automatic, -45RFE
				DGO = All Automatic

AR = Use as required - = Non illustrated part # = New this model year

April 3, 2002

**Air Cleaner 3.1L (EXA) Diesel Engine
Figure 014-810**

ITEM	PART NUMBER	QTY	LINE	SERIES	BODY	ENGINE	TRANS	DESCRIPTION
1	5013 465AA	1				EX0		BODY, Air Cleaner
2	5303 0688	1				EX0		FILTER, Air
3	5013 466AA	1				EX0		COVER, Air Cleaner
4								NUT, M8x1.25, (NOT SERVICED)
5	4854 188AB	1				EX0		HOSE, Air Cleaner
6	5013 837AA	1				EX0		CLAMP, Air Cleaner Duct
7	5013 838AA	1				EX0		CLAMP, Air Cleaner Duct

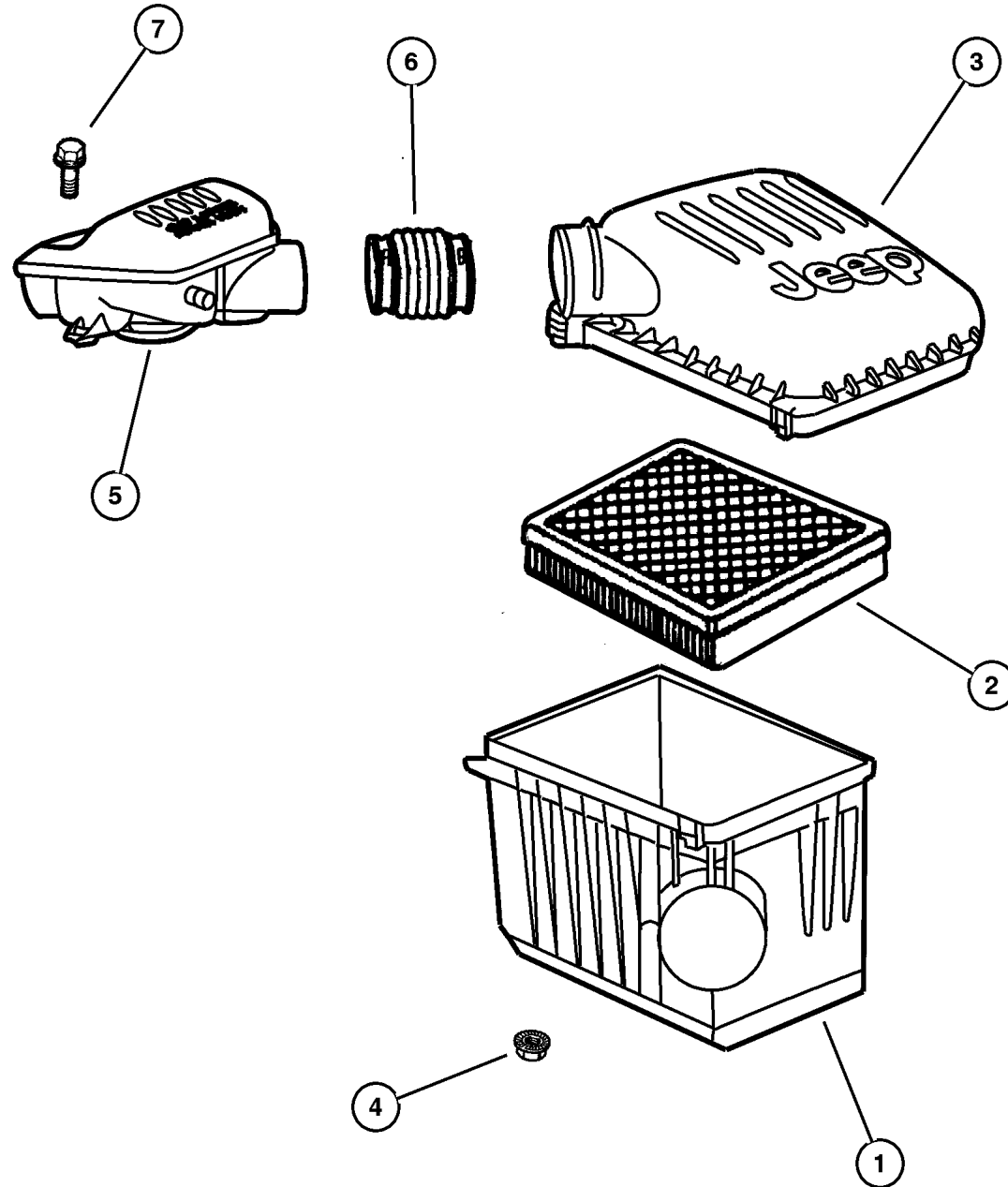


JEEP GRAND CHEROKEE (WJ)				
SERIES	LINE	BODY	ENGINE	TRANSMISSION
H=Laredo	J = 4WD	74 = 4 Door(105.9 WB)	ER0, ERH = 4.0L, Power Tech I-6	DGK = 4 Speed Autm, 42RE
P=Limited	T = 2WD		EV0, EVA = 4.7L, Power Tech V8	DGW = 4 Speed Automatic, -44RE
	U = 4WD (RHD)		EXA, EX0 = 3.1L, 5 Cyl Turbo Diesel	DG4 = Multi Speed Automatic, -45RFE
				DGO = All Automatic

AR = Use as required - = Non illustrated part # = New this model year

April 3, 2002

**Air Cleaner 4.0L (ERH) Engine
Figure 014-820**



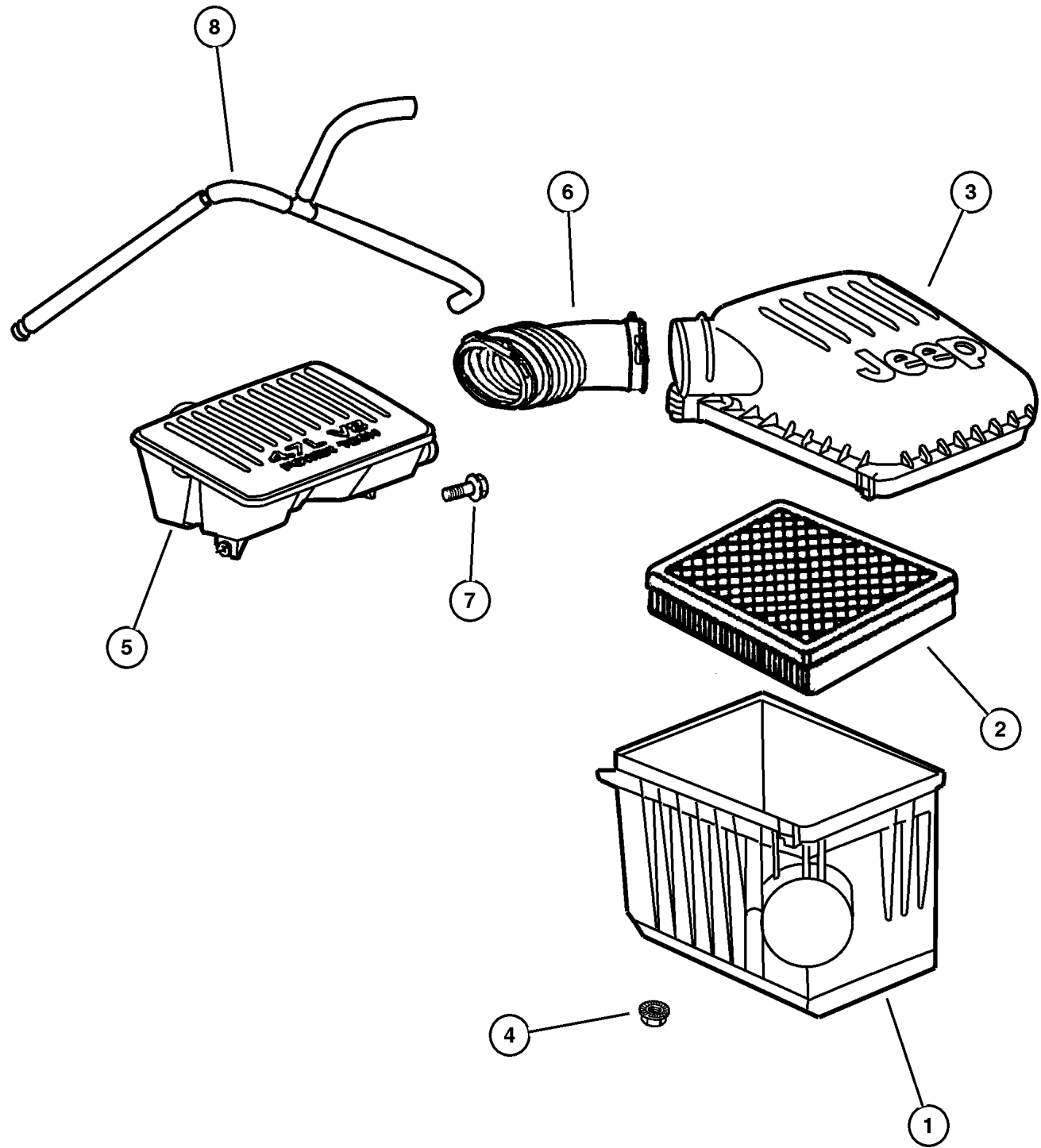
ITEM	PART NUMBER	QTY	LINE	SERIES	BODY	ENGINE	TRANS	DESCRIPTION
NOTE: ER0=All 4.0L Engines WD-Right Hand Drive---B=2 WD-Right Hand Drive								
1	5013 462AA	1				ER0		BODY, Air Cleaner
2	5300 7386	1				ER0		FILTER, Air
3	5013 461AA	1				ER0		COVER, Air Cleaner
4								NUT, M8x1.25, (NOT SERVICED)
5	4854 013	1				ER0		RESONATOR, Air Cleaner
6	4854 014	1				ER0		HOSE, Air Cleaner
7	6101 769	2				EVO		SCREW, Hex Head, M6x1x35

JEEP GRAND CHEROKEE (WJ)				
SERIES	LINE	BODY	ENGINE	TRANSMISSION
H=Laredo	J = 4WD	74 = 4 Door(105.9 WB)	ER0, ERH = 4.0L, Power Tech I-6	DGK = 4 Speed Autm, 42RE
P=Limited	T = 2WD		EVO, EVA = 4.7L, Power Tech V8	DGW = 4 Speed Automatic, -44RE
	U = 4WD (RHD)		EXA, EX0 = 3.1L, 5 Cyl Turbo Diesel	DG4 = Multi Speed Automatic, -45RFE
				DGO = All Automatic

AR = Use as required - = Non illustrated part # = New this model year

April 3, 2002

Air Cleaner 4.7L (EVA) Engine
Figure 014-830



ITEM	PART NUMBER	QTY	LINE	SERIES	BODY	ENGINE	TRANS	DESCRIPTION
NOTE: EV0=All 4.7L Engines WD-Right Hand Drive---B=2 WD-Right Hand Drive								
1	5013 462AA	1				EVO		BODY, Air Cleaner
2	5300 7386	1				EVO		FILTER, Air
3	5013 461AA	1				EVO		COVER, Air Cleaner
4								NUT, M8x1.25, (NOT SERVICED)
5	4854 011	1				EVO		RESONATOR, Air Cleaner
6	4854 012	1				EVO		DUCT, Air Cleaner
7	6101 769	2				EVO		SCREW, Hex Head, M6x1x35
8	53031 667AA	1				EVO		TUBE, Breather

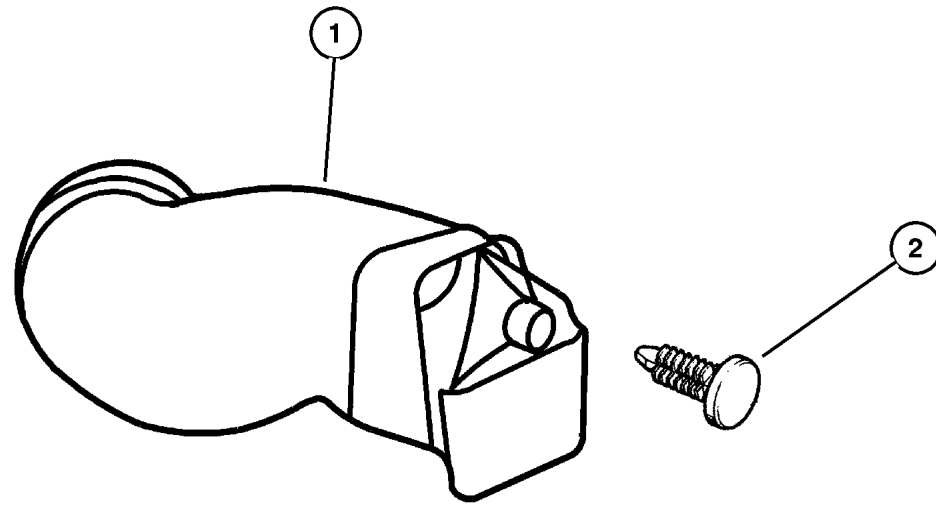
JEEP GRAND CHEROKEE (WJ)				
SERIES	LINE	BODY	ENGINE	TRANSMISSION
H=Laredo	J = 4WD	74 = 4 Door(105.9 WB)	ER0, ERH = 4.0L, Power Tech I-6	DGK = 4 Speed Autm, 42RE
P=Limited	T = 2WD		EVO, EVA = 4.7L, Power Tech V8	DGW = 4 Speed Automatic, -44RE
	U = 4WD (RHD)		EXA, EX0 = 3.1L, 5 Cyl Turbo Diesel	DG4 = Multi Speed Automatic, -45RFE
				DGO = All Automatic

AR = Use as required - = Non illustrated part # = New this model year

April 3, 2002

**Air Intake System 3.1L Diesel (EXA) 4.0L (ERH), 4.7L (EVA) Engine
Figure 014-910**

ITEM	PART NUMBER	QTY	LINE	SERIES	BODY	ENGINE	TRANS	DESCRIPTION
NOTE: ER0=All 4.0L Engines EV0=All 4.7L Engines WD-Right Hand Drive---B=2 WD-Right Hand Drive								
1	4854 015	1				ER0, EV0		DUCT, Ambient Air
2	6030 441	1				ER0, EV0		PIN, Retainer

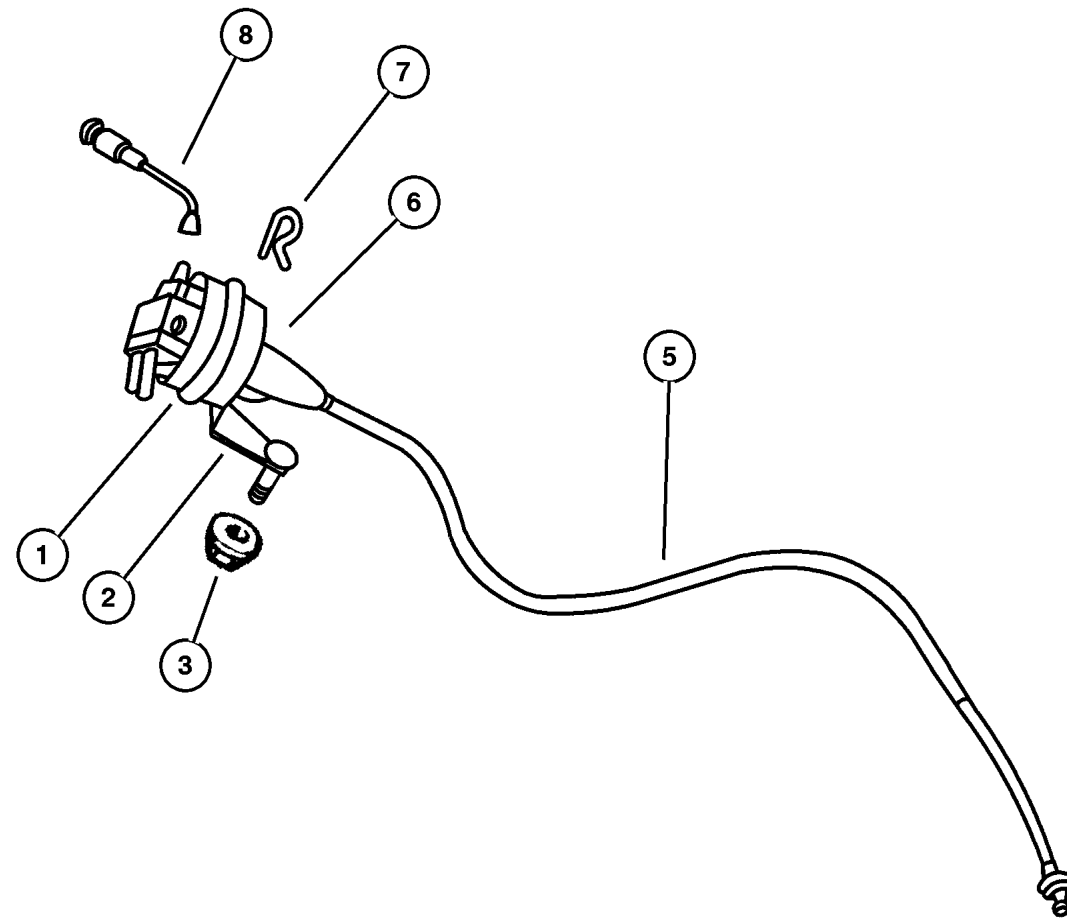


JEEP GRAND CHEROKEE (WJ)				
SERIES	LINE	BODY	ENGINE	TRANSMISSION
H=Laredo	J = 4WD	74 = 4 Door(105.9 WB)	ER0, ERH = 4.0L, Power Tech I-6	DGK = 4 Speed Autm, 42RE
P=Limited	T = 2WD		EV0, EVA = 4.7L, Power Tech V8	DGW = 4 Speed Automatic, -44RE
	U = 4WD (RHD)		EXA, EX0 = 3.1L, 5 Cyl Turbo Diesel	DG4 = Multi Speed Automatic, -45RFE
				DGO = All Automatic

AR = Use as required - = Non illustrated part # = New this model year

April 3, 2002

**Speed Control 3.1L Diesel (EXA), 4.0L (ERH), 4.7L (EVA) Engine
Figure 014-1010**



ITEM	PART NUMBER	QTY	LINE	SERIES	BODY	ENGINE	TRANS	DESCRIPTION
NOTE: EX0=All 3.1L Engines ER0=All 4.0L Engines EV0=All 4.7L Engines WD-Right Hand Drive---B=2 WD-Right Hand Drive								
1	4669 979	1				EVO		SERVO, Speed Control
		1				ER0		
2	4854 057AD	1				EVO		BRACKET, Cruise Control Servo
		1				ER0		
	4854 200AB	1				EX0		
3	6100 051	2				EX0		NUT AND WASHER, Hex Nut-Coned Washer, M8 x 1.25
-4	6101 820	2				ER0, EVO		NUT, Hex Flange Lock
5								CABLE, Speed Control
	4854 055	1				EVO		
	4854 058	1				ER0		
	4854 201AA	1				EX0		
6								NUT, Hex Flange Serration, M6x1
	6502 493	2				ER0		
		2				EVO		
7								CLIP, Cable to Servo Attach
	6025 867	1				EVO		
		1				ER0		
8	4854 202AC	1				EX0		HARNESS, Vacuum Speed Control

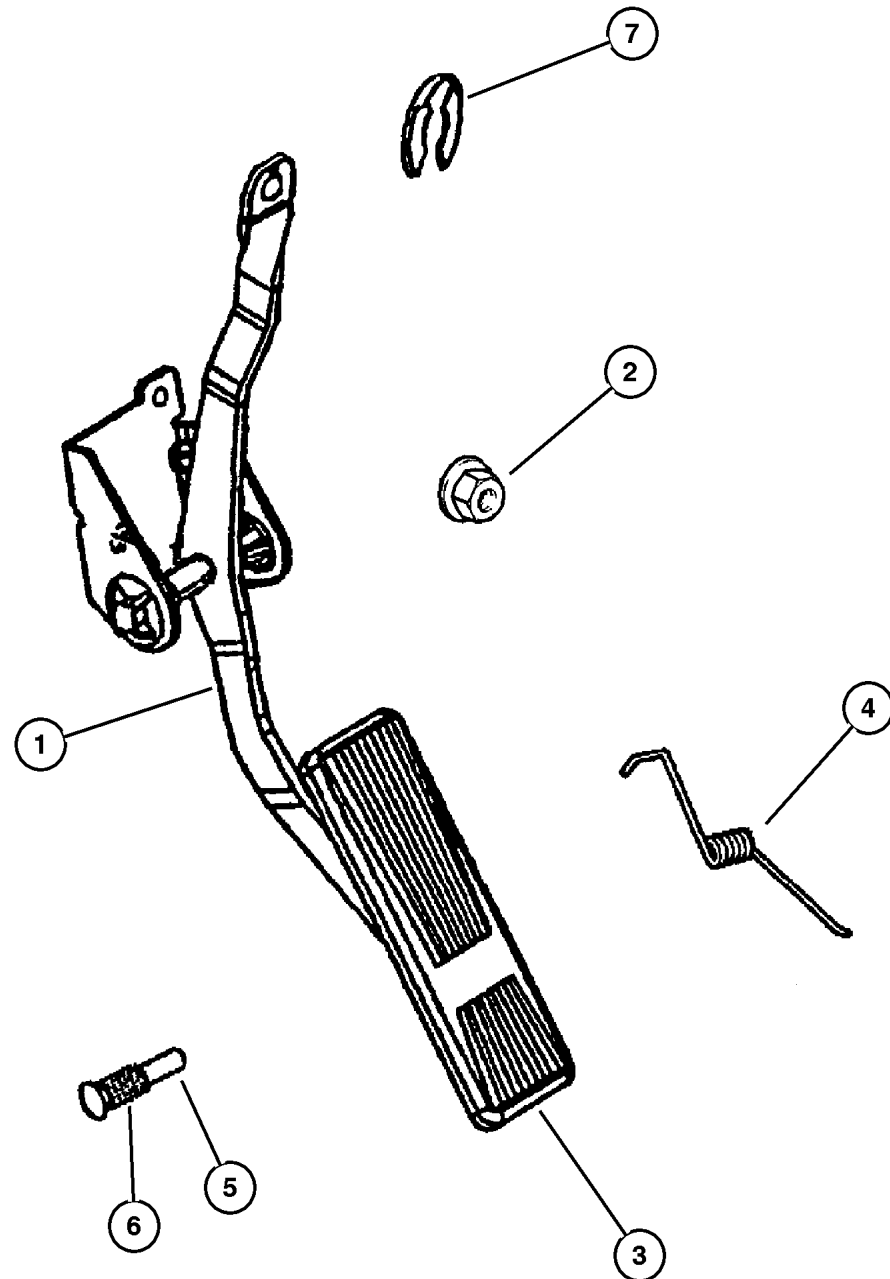
JEEP GRAND CHEROKEE (WJ)

SERIES	LINE	BODY	ENGINE	TRANSMISSION
H=Laredo	J = 4WD	74 = 4 Door(105.9 WB)	ER0, ERH = 4.0L, Power Tech I-6	DGK = 4 Speed Autm, 42RE
P=Limited	T = 2WD		EVO, EVA = 4.7L, Power Tech V8	DGW = 4 Speed Automatic, -44RE
	U = 4WD (RHD)		EXA, EX0 = 3.1L, 5 Cyl Turbo Diesel	DG4 = Multi Speed Automatic, -45RFE
				DGO = All Automatic

AR = Use as required - = Non illustrated part # = New this model year

April 3, 2002

**Accelerator Pedal
Figure 014-1110**



ITEM	PART NUMBER	QTY	LINE	SERIES	BODY	ENGINE	TRANS	DESCRIPTION
1								PEDAL, Accelerator
	4854 130AB	1	J, T					
	4854 131AB	1	U					
2	3420 1680	2						NUT, Hex Flange, M6x1
3								PAD, Accelerator Pedal
	53003 932AB	1	U					
		1	J, T					
4								SPRING, Accelerator Pedal Return
	5207 8168	1	U					
		1	J, T					
5								PIN, Accelerator Pedal Mtg.
	J322 0231	1	U					
		1	J, T					
6								BUSHING, Accelerator Pedal
	5207 8653	2	J, T					
		2	U					
7	5214 613	1						CLIP, Cable

JEEP GRAND CHEROKEE (WJ)

SERIES	LINE	BODY	ENGINE	TRANSMISSION
H=Laredo	J = 4WD	74 = 4 Door(105.9 WB)	ER0, ERH = 4.0L, Power Tech I-6	DGK = 4 Speed Autm, 42RE
P=Limited	T = 2WD		EVO, EVA = 4.7L, Power Tech V8	DGW = 4 Speed Automatic, -44RE
	U = 4WD (RHD)		EXA, EX0 = 3.1L, 5 Cyl Turbo Diesel	DG4 = Multi Speed Automatic, -45RFE
				DGO = All Automatic

AR = Use as required - = Non illustrated part # = New this model year

April 3, 2002

Group – 016

Propeller Shafts and U-Joints

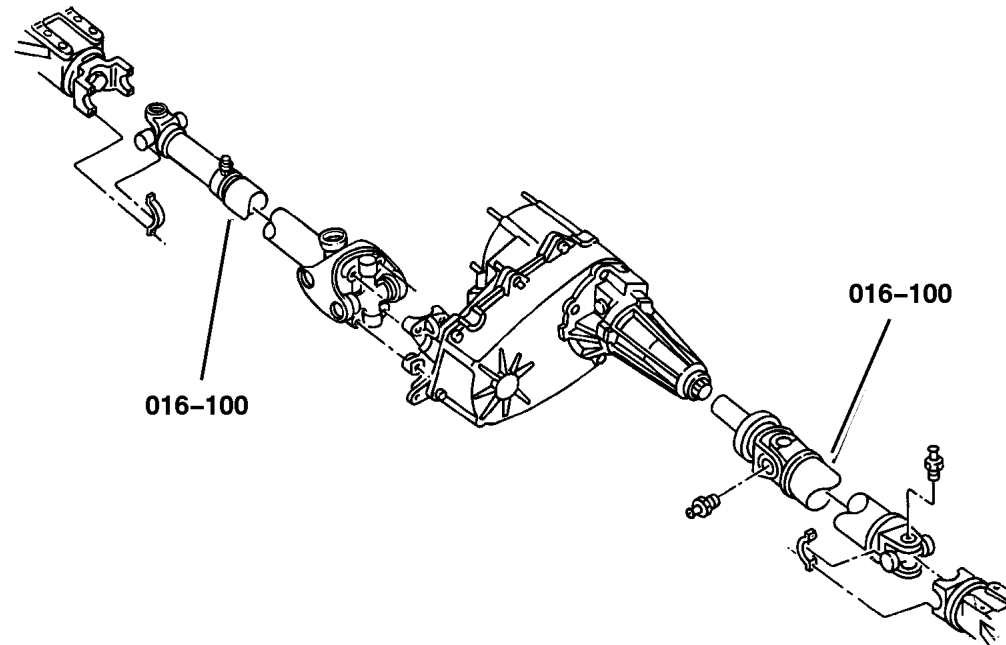
GROUP 16 - Propeller Shafts and U-Joints

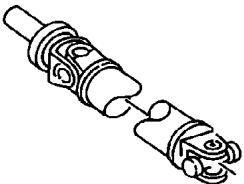
Illustration Title

Group-Fig. No.

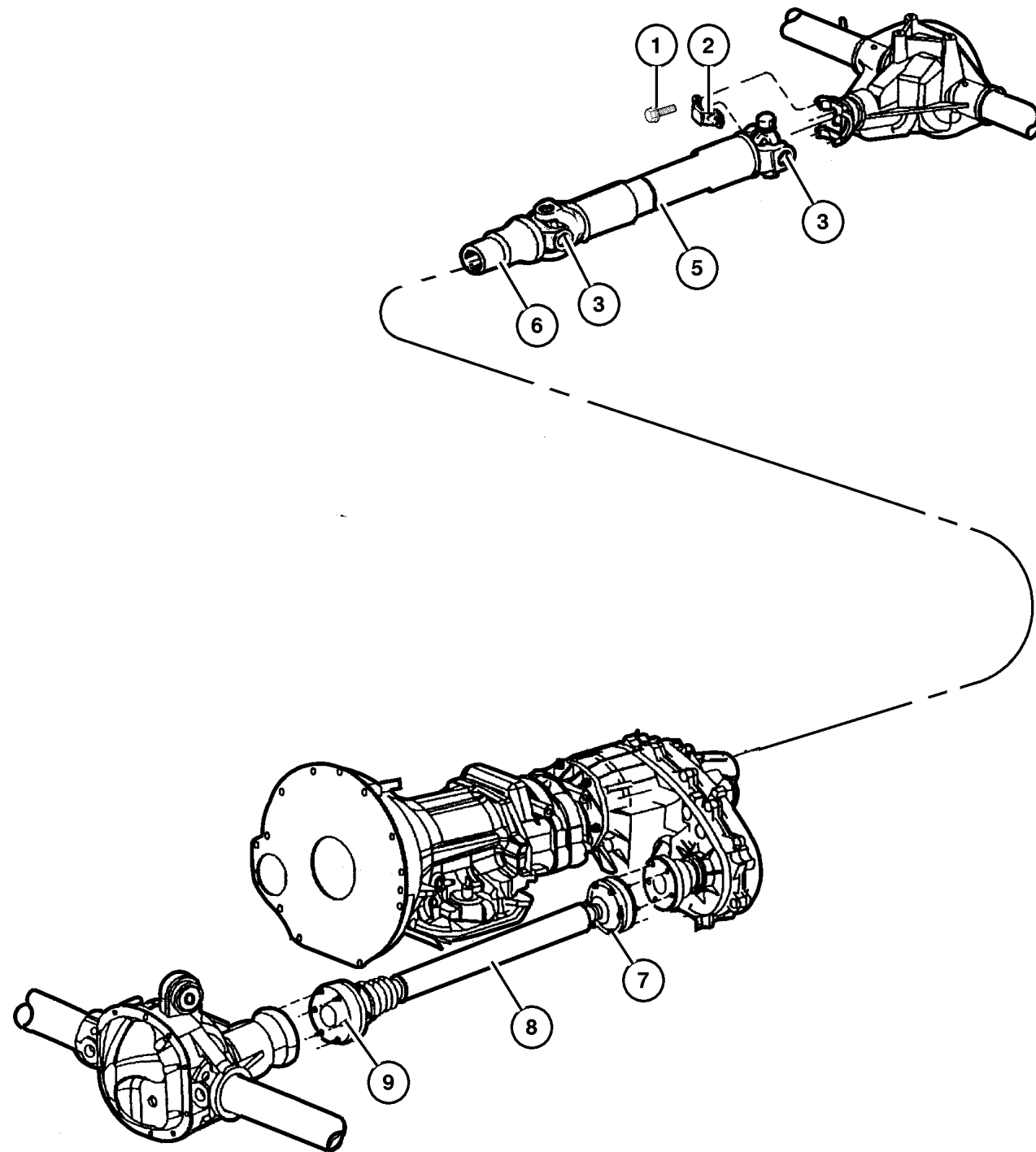
Propeller Shaft

Propeller Shafts, Front and Rear Fig. 016-110



<p>016-100 Propeller Shaft</p> 			
---	--	--	--

Propeller Shafts, Front and Rear
Figure 016-110



ITEM	PART NUMBER	QTY	LINE	SERIES	BODY	ENGINE	TRANS	DESCRIPTION
Note:Sales Codes: WD-Right Hand Drive---B=2 WD-Right Hand Drive								
Note: Item 7, 05015109AA and item 9, 5015996AA that one part number consists of 2 Bolts and 1 Strap WD-Right Hand Drive---B=2 WD-Right Hand Drive								
Note:There are NO parts released for REAR DRIVE SHAFT 52111489AA WD-Right Hand Drive---B=2 WD-Right Hand Drive								
[DGW]=Transmission - 4-Speed Automatic 44R WD-Right Hand Drive---B=2 WD-Right Hand Drive								
[DHF]=Quadra-Trac II On Demand System WD-Right Hand Drive---B=2 WD-Right Hand Drive								
[DHP]=Selec-Trac Full Time 4WD System WD-Right Hand Drive---B=2 WD-Right Hand Drive								
[DRK]=Axle - Rear,Dana 44/226MM WD-Right Hand Drive---B=2 WD-Right Hand Drive								
[DRM]=Axle - Rear,Dana 35C/194MM WD-Right Hand Drive---B=2 WD-Right Hand Drive								
[ER0]=Engines - All 4.0L 6 Cylinder Gas WD-Right Hand Drive---B=2 WD-Right Hand Drive								
[EV0]=Engines - All 4.7L Gas10 WD-Right Hand Drive---B=2 WD-Right Hand Drive								
[EX0]=Engines - All 3.0/3.1L Turbo Diesel WD-Right Hand Drive---B=2 WD-Right Hand Drive								
1	J400 6928	4				ER0,		BOLT
2	J324 0553	2				EV0		STRAP, Prop Shaft
3						ER0,		U JOINT
	4882 793	2	T			EV0		Front or Rear
		2	T			EV0		Front or Rear
	5014 733AA	1	T			EV0		With Tag 52099486AB, Front
	4882 793	1	T			EV0		With Tag 52099486AB, Rear
		2	J, U			ER0		Front or Rear
		2	J, U			EV0		Front or Rear
	5014 733AA	1	J, U			EV0		With Tag 52111490AA,52111490AB, Front
	5015 694AA	1	J, U			EV0		With Tag 52111490AA,52111490AB, Rear
-4								RING, U Joint
	J320 7886	4	T			ER0		
		4	T			EV0		
		4	J, U			ER0		
		4	J, U			EV0		
5								SHAFT, Drive, Rear 1-Piece
	5209 9484	1	T			ER0		With Tag 52099484-Up To and Including 9-13-99, Rear
	#52099 484AD	1	T			ER0		With Tag 52099484AD-9-14-99 and After
	5209 9485	1	J, U			ER0		With Tag 52099485-Up To and Including 9-13-99 [DHF,DRM]
	#52099 485AE	1	J, U			ER0		With Tag 52099485AE-9-14-99 and After [DHF,DRM]
	5210 5530	1	J, U			ER0		With Tag 52105530,52105530AC [DHP]

JEEP GRAND CHEROKEE (WJ)

SERIES	LINE	BODY	ENGINE	TRANSMISSION
H=Laredo	J = 4WD	74 = 4 Door(105.9 WB)	ER0, ERH = 4.0L, Power Tech I-6	DGK = 4 Speed Autm, 42RE
P=Limited	T = 2WD		EV0, EVA = 4.7L, Power Tech V8	DGW = 4 Speed Automatic, -44RE
	U = 4WD (RHD)		EXA, EX0 = 3.1L, 5 Cyl Turbo Diesel	DG4 = Multi Speed Automatic, -45RFE
				DGO = All Automatic

AR = Use as required - = Non illustrated part # = New this model year

April 3, 2002

**Propeller Shafts, Front and Rear
Figure 016-110**

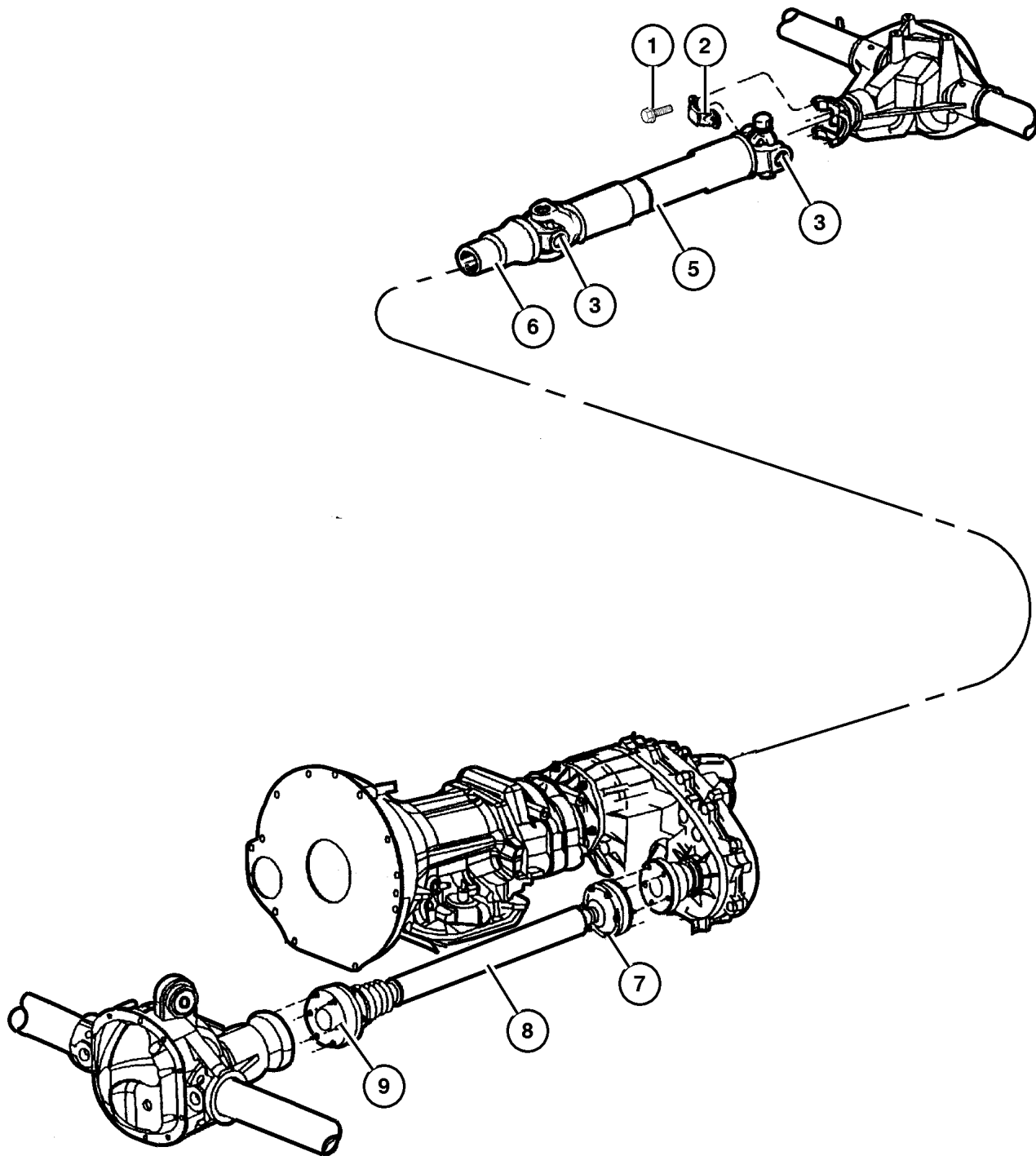
ITEM	PART NUMBER	QTY	LINE	SERIES	BODY	ENGINE	TRANS	DESCRIPTION
	52111 483AA	1	J, U			ER0		With Tag 52111483AA-Up To and Including 9-13-99 [DRK]
	#52111 483AB	1	J, U			ER0		With Tag 52111483AB-9-14-99 and After [DRK]
	#5209 9486	1	T			EVO		With Tag 52099486-Up To and Including 9-13-99
	#52099 486AB	1	T			EVO		With Tag 52099486AB-9-14-99 and After
	5209 9487	1	J, U			EVO		With Tag 52099487-Up To and Including 9-13-99 [DHF]
	#52099 487AC	1	J, U			EVO		With Tag 52099487AC-9-14-99 and After [DHF]
	52111 490AA	1	J, U			EVO		With Tag 52111490AA-Up To and Including 9-13-99 [DHP]
	#52111 490AB	1	J, U			EVO		With Tag 52111490AB-9-14-99 and After [DHP]
	52111 489AA	1	J, U			EX0	DGW	With Tag 52111489AA
6	5010 030AA	1	T			ER0		YOKE, Drive Shaft With Tag 52099484, Up To and Including 9-13-99
	#5017 202AA	1	T			ER0		With Tag 52099484AD, 9-14-99 and After
	5010 030AA	1	J, U			ER0		With Tag 52099485-Up To and Including 9-13-99 [DHF,DRM]
	#5017 201AA	1	J, U			ER0		With Tag 52099485AE-9-14-99 and After [DHF,DRM]
	4882 714	1	J, U			ER0		With Tag 52105530, 52105530AC
	4874 052	1	J, U			ER0		With Tag 52099485,52111483AA, Up To and Including 9-13-99
	#5017 201AA	1	J, U			ER0		With Tag 52099485AE,52111483AB, 9-14-99 and After
	5010 030AA	1	T			EVO		With Tag 52099486, UpTo and Including 9-13-99
	5017 202AA	1	T			EVO		With Tag 52099486AB, 9-14-99 and After
	4874 052	1	J, U			EVO		With Tag 52099487, UpTo and Including 9-13-99
	#5018 362AA	1	J, U			EVO		With Tag 52099487AC, 9-14-99 and After
	5014 043AA	1	J, U			EVO		With Tag 52111490AA, UpTo and Including 9-13-99
	#5018 773AA	1	J, U			EVO		With Tag 52111490AB, 9-14-99 and After

JEEP GRAND CHEROKEE (WJ)

SERIES	LINE	BODY	ENGINE	TRANSMISSION
H=Laredo	J = 4WD	74 = 4 Door(105.9 WB)	ER0, ERH = 4.0L, Power Tech I-6	DGK = 4 Speed Autm, 42RE
P=Limited	T = 2WD		EVO, EVA = 4.7L, Power Tech V8	DGW = 4 Speed Automatic, -44RE
	U = 4WD (RHD)		EXA, EX0 = 3.1L, 5 Cyl Turbo Diesel	DG4 = Multi Speed Automatic, -45RFE
				DGO = All Automatic

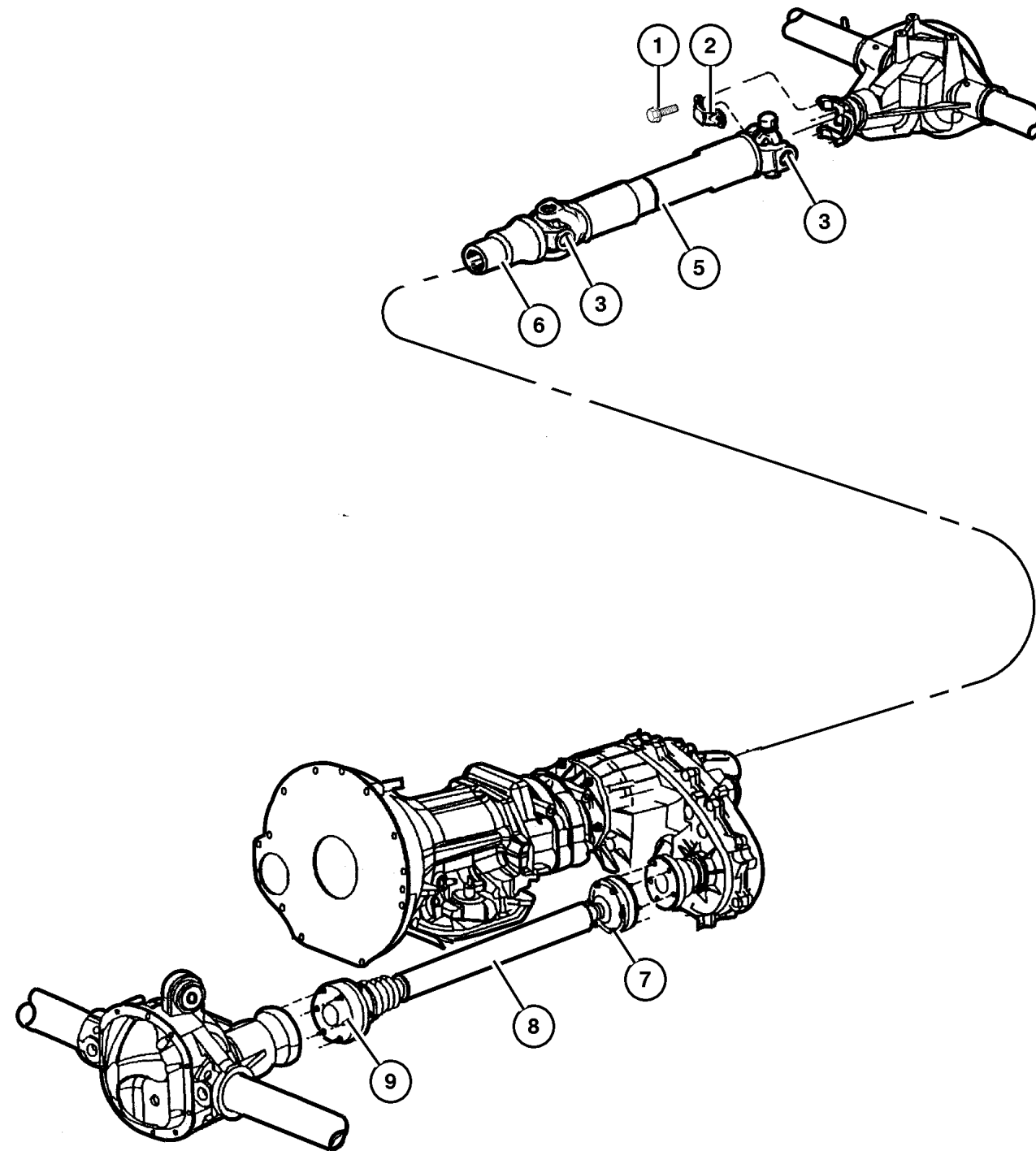
AR = Use as required - = Non illustrated part # = New this model year

April 3, 2002



Propeller Shafts, Front and Rear
Figure 016-110

ITEM	PART NUMBER	QTY	LINE	SERIES	BODY	ENGINE	TRANS	DESCRIPTION
7	5015 109AA	6	J, U			ER0		BOLT, Drive Shaft Mounting
		6	J, U			EVO		Mounting
		6	J, U			EX0	DGW	Mounting
8	52099 497AC	1	J, U			ER0		SHAFT, Drive, Front
		1	J, U			EVO		
		1	J, U			EX0	DGW	
9	5015 996AA	6	J, U			ER0		BOLT, Drive Shaft Mounting
		6	J, U			EVO		Mounting
		6	J, U			EX0	DGW	Mounting



JEEP GRAND CHEROKEE (WJ)

SERIES	LINE	BODY	ENGINE	TRANSMISSION
H=Laredo	J = 4WD	74 = 4 Door(105.9 WB)	ER0, ERH = 4.0L, Power Tech I-6	DGK = 4 Speed Autm, 42RE
P=Limited	T = 2WD		EVO, EVA = 4.7L, Power Tech V8	DGW = 4 Speed Automatic, -44RE
	U = 4WD (RHD)		EXA, EX0 = 3.1L, 5 Cyl Turbo Diesel	DG4 = Multi Speed Automatic, -45RFE
				DGO = All Automatic

AR = Use as required - = Non illustrated part # = New this model year

April 3, 2002

Group - 017

Rear Suspension

GROUP 17 - Rear Suspension

Illustration Title

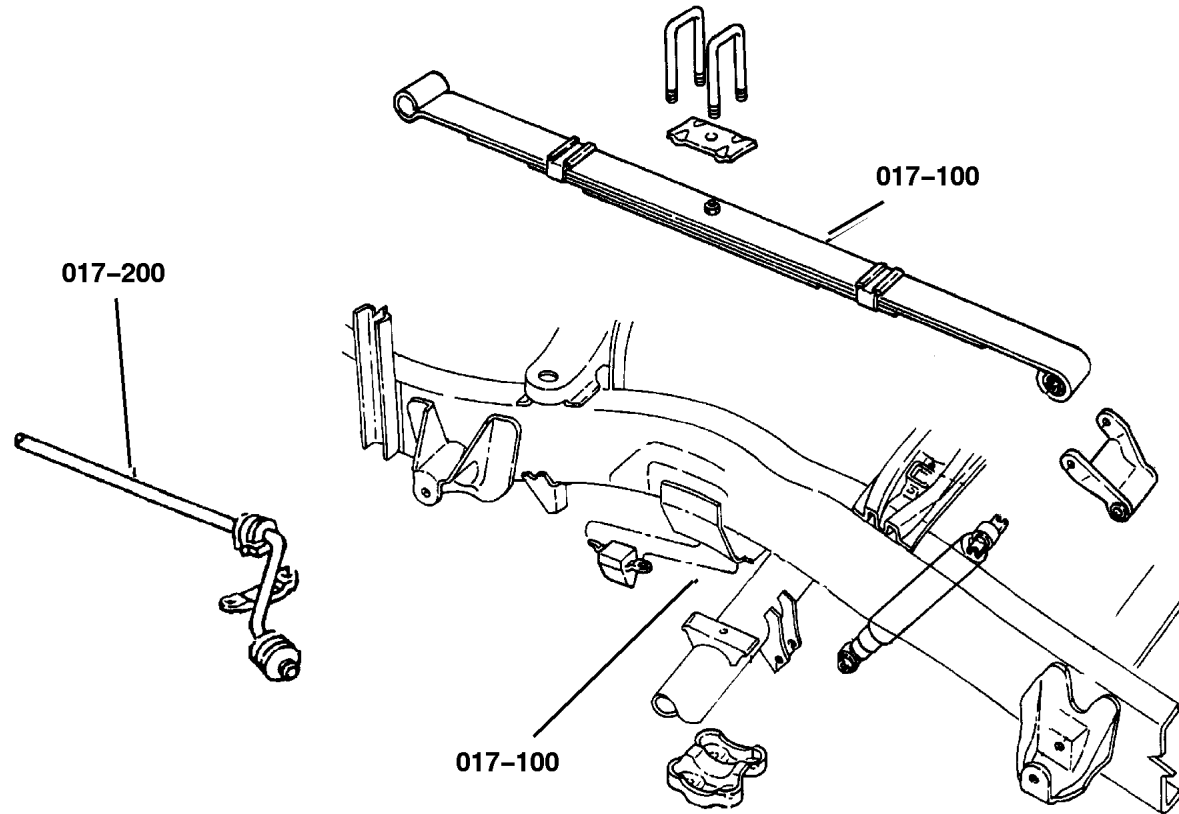
Group-Fig. No.

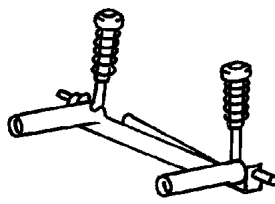
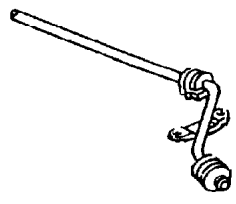
Rear Suspension

Supension, Rear w/Shock Absorber Fig. 017-130

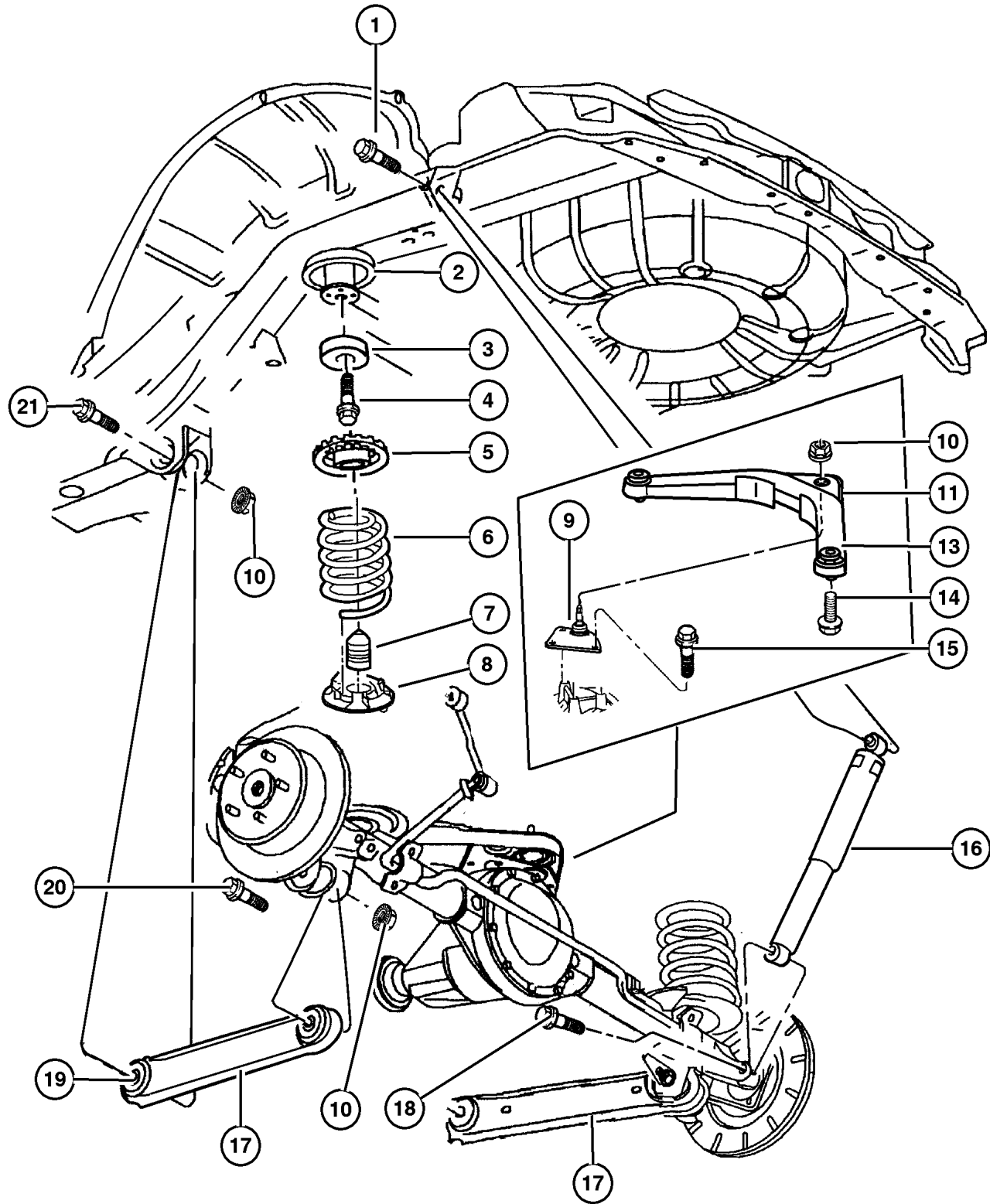
Rear Stabilizer

Stabilizer Bar, Rear Fig. 017-210



<p>017-100 Rear Suspension</p> 	<p>017-200 Rear Stabilizer</p> 		
---	---	--	--

Suspension, Rear w/Shock Absorber
Figure 017-130



ITEM	PART NUMBER	QTY	LINE	SERIES	BODY	ENGINE	TRANS	DESCRIPTION
Note: SDA=Quadra Coil Suspension---SDU=Heavy Duty Suspension---SDJ=Firm Feel Suspension (EXPORT)---The 'Z' Sales Codes for the Coil Springs will be found in the VIN number								
1	6506 147AA	2						SCREW, Hex Flange Head, M12x1.75x80, Shock Mounting, Upper
2	5014 781AA	2						GUIDE, Rear Spring, None
3	5208 8350	2						SPACER, Jounce Bumper, Upper
4	6505 378AA	2						SCREW, Hex Flange Head, M10x1.5x40, Jounce Bumper Space Attaching, Upper
5	5208 8346	2						ISOLATOR, Spring, Upper
6	5208 8343	1						SPRING, Suspension, Rear [ZKW,ZYW]
	5208 8344	1						[ZLV,ZZV]
	5208 8345	1						[ZLW,ZZW]
	5208 8404	1						[ZKY,ZYY]
	5208 8550	1						[ZKX,ZYX]
	5208 8551	1						[ZLU,ZZU]
	52089 500AA	1						[ZKZ,ZYZ]
7	5208 8352	2						BUMPER, Jounce, Lower
8	52088 402AB	2						ISOLATOR, Spring, Lower
9	52088 808AB	1						BALL JOINT ASSEMBLY, UPPER CONTROL ARM, REAR
10	6502 698	1						NUT, Hex Flange Lock Control Arm to Axle Ball Joint Mounting, Upper
		4						Control Arm to Axle and to Body Mounting, Lower
11	#52088 422AB	1						ARM, Upper Control, Rear, Includes 2-Bushings
-12	6505 439AA	1						NUT AND RETAINER, Hex Flange Locking, M14 x 2.00, Control Arm to Body, Lower
13	5208 8425	2						BUSHING, Control Arm, Control Arm Bushings, Upper
14	6504 748	2						SCREW, Hex Flange Head, M12x1.75x117, Control Arm to Body Mounting, Upper
15	6505 445AA	3						SCREW, Hex Flange Head, M14x2x36, Ball Joint to Axle Mounting, Upper
16	52088 221AB	2						SHOCK ABSORBER, Suspension, Rear [SDA]
	52088 235AB	2						[SDU]
	52088 735AA	2						[SDU] Mono tube-Export
	52088 736AB	2						[SDA] Export

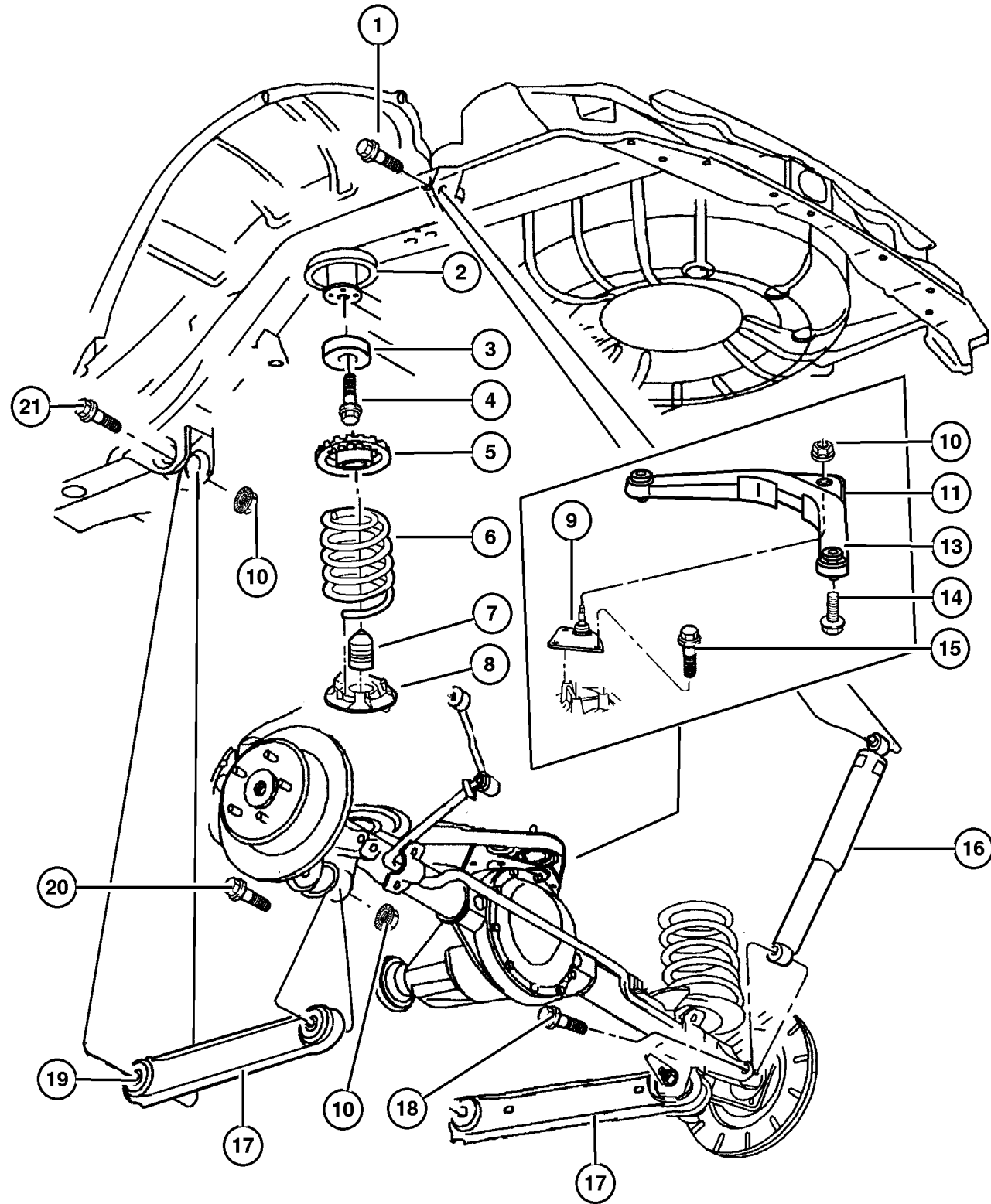
JEEP GRAND CHEROKEE (WJ)				
SERIES	LINE	BODY	ENGINE	TRANSMISSION
H=Laredo	J = 4WD	74 = 4 Door(105.9 WB)	ER0, ERH = 4.0L, Power Tech I-6	DGK = 4 Speed Autm, 42RE
P=Limited	T = 2WD		EVO, EVA = 4.7L, Power Tech V8	DGW = 4 Speed Automatic, -44RE
	U = 4WD (RHD)		EXA, EX0 = 3.1L, 5 Cyl Turbo Diesel	DG4 = Multi Speed Automatic, -45RFE
				DGO = All Automatic

AR = Use as required - = Non illustrated part # = New this model year

April 3, 2002

**Suspension, Rear w/Shock Absorber
Figure 017-130**

ITEM	PART NUMBER	QTY	LINE	SERIES	BODY	ENGINE	TRANS	DESCRIPTION
	52088 950AB	2						[SDJ] Export
17	52088 355AB	2						ARM, Control, Lower
18	6505 935AA	2						SCREW, Shock Mounting, Lower
19	5208 8220	2						BUSHING, Control Arm, Control Arm to Body, Lower
20	6505 214AA	2						SCREW, Hex Flange Head, M14x2.00x114, Control Arm to Axle Mounting, Lower
21	6506 033AA	2						BOLT, Hex Flange Head, M14x2.0x105, Control Arm to Body Mounting, Lower



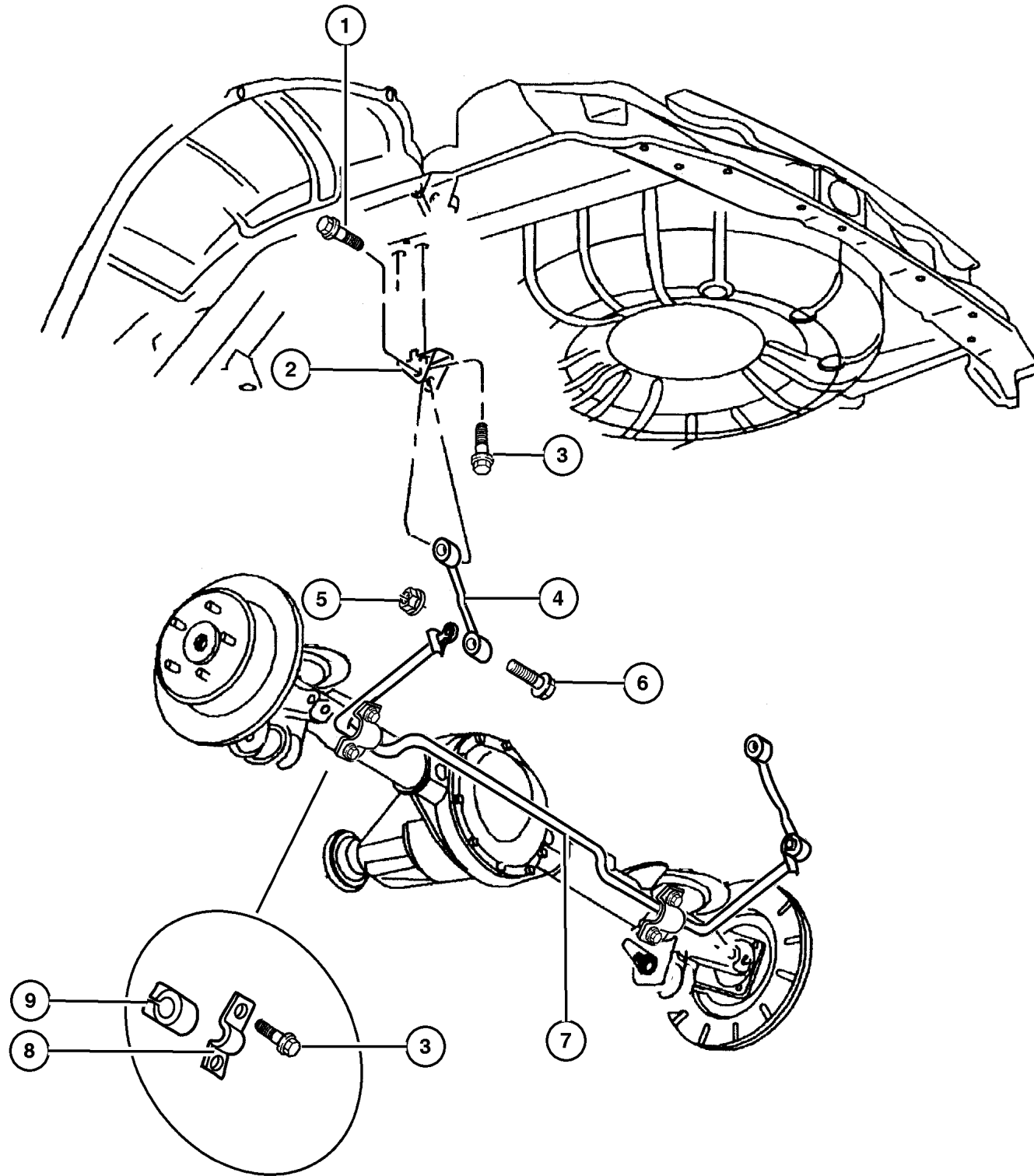
JEEP GRAND CHEROKEE (WJ)

SERIES	LINE	BODY	ENGINE	TRANSMISSION
H=Laredo	J = 4WD	74 = 4 Door(105.9 WB)	ER0, ERH = 4.0L, Power Tech I-6	DGK = 4 Speed Autm, 42RE
P=Limited	T = 2WD		EVO, EVA = 4.7L, Power Tech V8	DGW = 4 Speed Automatic, -44RE
	U = 4WD (RHD)		EXA, EX0 = 3.1L, 5 Cyl Turbo Diesel	DG4 = Multi Speed Automatic, -45RFE
				DGO = All Automatic

AR = Use as required - = Non illustrated part # = New this model year

April 3, 2002

Stabilizer Bar, Rear Figure 017-210



ITEM	PART NUMBER	QTY	LINE	SERIES	BODY	ENGINE	TRANS	DESCRIPTION
1	6502 473	1						BOLT, Hex Flange Head, M12x1.75x65, Sway Bar Link to Sill Bracket Mounting
2	52088 525AA	2						BRACKET, Suspension, Sway Bar End Link/Sill Mounting
3	6503 571	4						SCREW AND WASHER, M10x1.50x35 End Link Bracket to Sill Mounting
4	52088 319AB	2						LINK, Sway Eliminator Sway Bar Retainer to Axle Mounting
5	6502 696	2						NUT, Hex Flange Lock, M10x1.5, Sway Bar Link to Sway Bar Mounting
6	6503 726	2						SCREW, Shoulder, Sway Bar Link to Sway Bar Mounting
7	52088 739AB	1						STABILIZER BAR, Rear Suspension
8	5208 7865	2						RETAINER, Sway Bar
9	#52088 738AC	2						BUSHING, Sway Bar

JEEP GRAND CHEROKEE (WJ)

SERIES	LINE	BODY	ENGINE	TRANSMISSION
H=Laredo	J = 4WD	74 = 4 Door(105.9 WB)	ER0, ERH = 4.0L, Power Tech I-6	DGK = 4 Speed Autm, 42RE
P=Limited	T = 2WD		EVO, EVA = 4.7L, Power Tech V8	DGW = 4 Speed Automatic, -44RE
	U = 4WD (RHD)		EXA, EX0 = 3.1L, 5 Cyl Turbo Diesel	DG4 = Multi Speed Automatic, -45RFE
				DGO = All Automatic

AR = Use as required - = Non illustrated part # = New this model year

April 3, 2002

Group – 019

Steering

GROUP 19 - Steering

Illustration Title

Group-Fig. No.

Steering Wheel

Steering Wheel Assembly Fig. 019-110

Steering Column

Steering Column Assy Fig. 019-210

Steering Gear

Steering Gear and Linkage-Left Hand Drive Fig. 019-310

Steering Gear and Linkage-Right Hand Drive Fig. 019-320

Power Steering Pump

Power Steering Pumps-Gas Fig. 019-510

Power Steering Pumps-Diesel Fig. 019-520

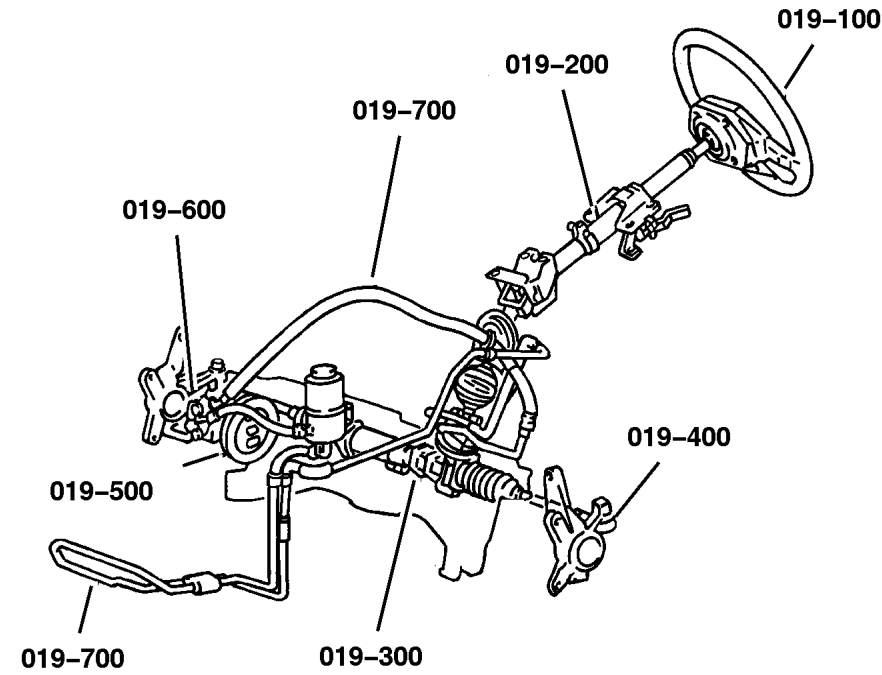
Power Steering Hoses

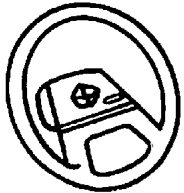
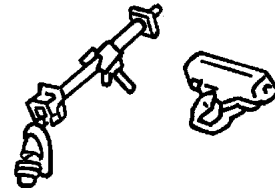
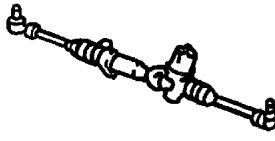
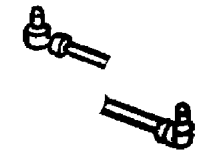
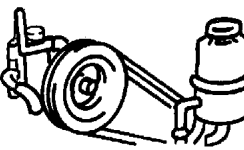

Power Steering Hoses-Gas-Left Hand Drive Fig. 019-710

Power Steering Hoses-Diesel-Left Hand Drive Fig. 019-720

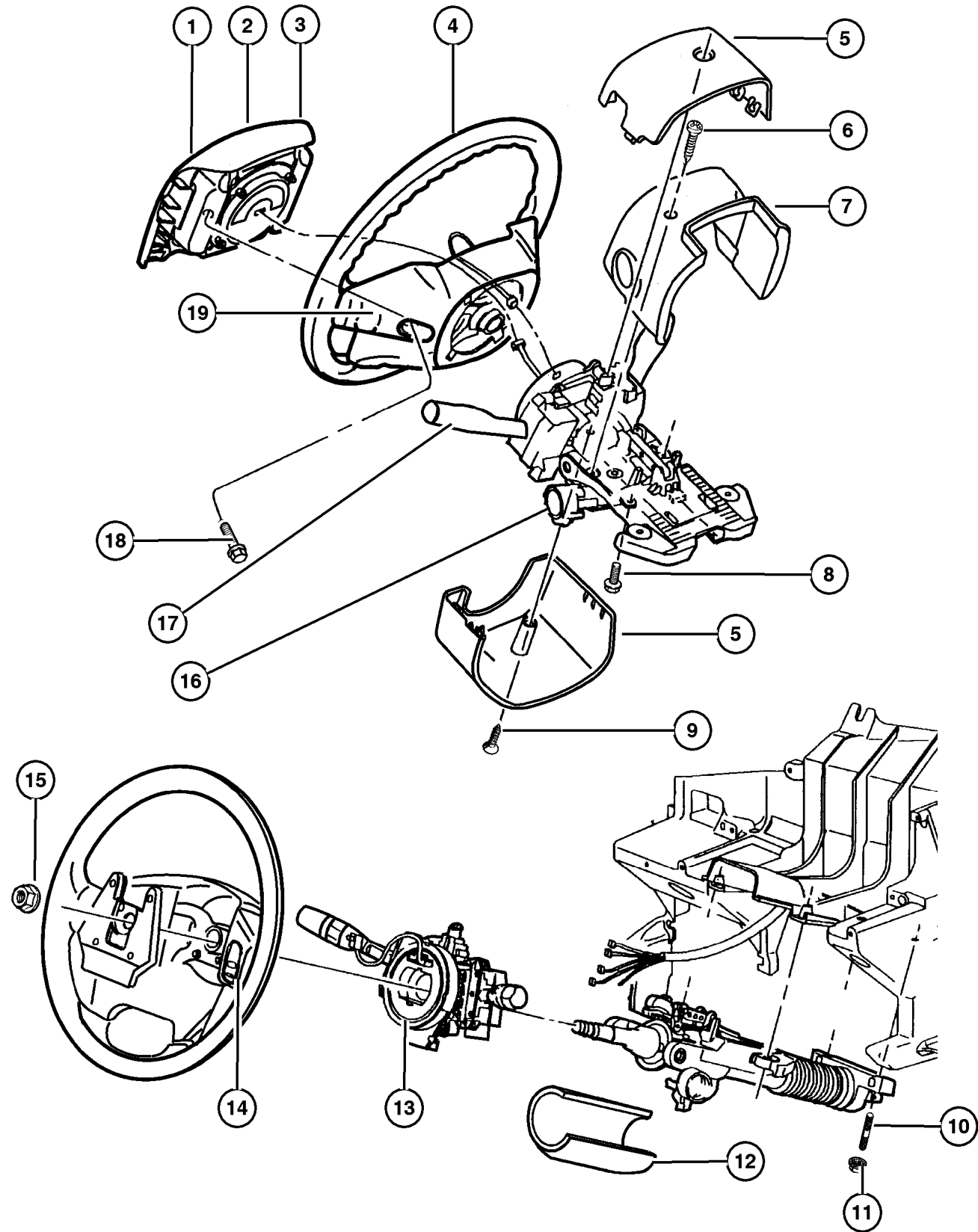
Power Steering Hoses-Gas-Right Hand Drive Fig. 019-730

Power Steering Hoses-Diesel-Right Hand Drive Fig. 019-740



<p>019-100 Steering Wheel</p> 	<p>019-200 Steering Column</p> 	<p>019-300 Steering Gear</p> 	<p>019-400 Steering Linkage</p> 
<p>019-500 Power Steering Pump</p> 	<p>019-700 Power Steering Hoses</p> 		

Steering Wheel Assembly Figure 019-110



ITEM	PART NUMBER	QTY	LINE	SERIES	ENGINE	TRANS	DESCRIPTION
------	-------------	-----	------	--------	--------	-------	-------------

Note: If Horn Switch is defective, you must replace the AIR BAG COVER WITH SWITCH and not the AIR BAG MODULE

ASSEMBLY itself. und in the VIN number

Note: und in the VIN number

DG0 = All Automatic Transmissions und in the VIN number

SCA = Vinyl Steering Wheel und in the VIN number

SCL = Leather Wrapped Steering Wheel und in the VIN number

1							AIR BAG, Driver
	#5FA39 LAZAG	1		H			AZ
		1		P			AZ
	#5FA39 VK9AG	1		P			K5
	#5FA39 WL8AG	1		P			L5
2							COVER, Air Bag Module
	SX52 LAZAA	1		H			AZ-Includes Horn Switch
		1		P			AZ-Includes Horn Switch
	SX52 VK9AA	1		P			K5-Includes Horn Switch
	SX52 WL8AA	1		P			L5-Includes Horn Switch
3							SWITCH, Horn
	5014 533AA	1		H			
		1		P			
4							WHEEL, Steering
	#5HM23 1AZAA	1					[SCA] AZ
	WB61 1AZAA	1		H			[SCL] AZ
		1		P			[SCL] AZ
	WB61 1K9AA	1		P			[SCL] K5
	WB61 1L8AA	1		P			[SCL] L5
5							SHROUD, Steering Column
	5GE40 LAZAA	1		H			AZ-Upto and Including 02-13-00, Upper And Lower
	#5GE40 LAZAB	1		H			AZ-02-14-00 and After, Upper And Lower
	5GE40 LAZAA	1		P			AZ-Upto and Including 02-13-00, Upper And Lower
	#5GE40 LAZAB	1		P			AZ-02-14-00 and After, Upper And Lower
	5GE40 VK9AA	1		P			K5-Upto and Including 02-13-00, Upper And Lower
	#5GE40 VK9AB	1		P			K5-02-14-00 and After, Upper And Lower
	5GE40 WL8AA	1		P			L5-Upto and Including 02-13-00, Upper And Lower
	#5GE40 WL8AB	1		P			L5-02-14-00 and After, Upper And Lower
6	6035 142	2					SCREW, .164-32x1.00, Shroud to Column
7							SHROUD, Steering Column
	5GE39 LAZAA	1		H		DG0	AZ
		1		P		DG0	AZ
	5GE39 VK9AA	1		P		DG0	K5
	5GE39 WL8AA	1		P		DG0	L5

JEEP GRAND CHEROKEE (WJ)

SERIES	LINE	BODY	ENGINE	TRANSMISSION
H=Laredo	J = 4WD	74 = 4 Door(105.9 WB)	ER0, ERH = 4.0L, Power Tech I-6	DGK = 4 Speed Autm, 42RE
P=Limited	T = 2WD		EVO, EVA = 4.7L, Power Tech V8	DGW = 4 Speed Automatic, -44RE
	U = 4WD (RHD)		EXA, EX0 = 3.1L, 5 Cyl Turbo Diesel	DG4 = Multi Speed Automatic, -45RFE
				DGO = All Automatic

AR = Use as required - = Non illustrated part # = New this model year

April 3, 2002

Steering Wheel Assembly Figure 019-110

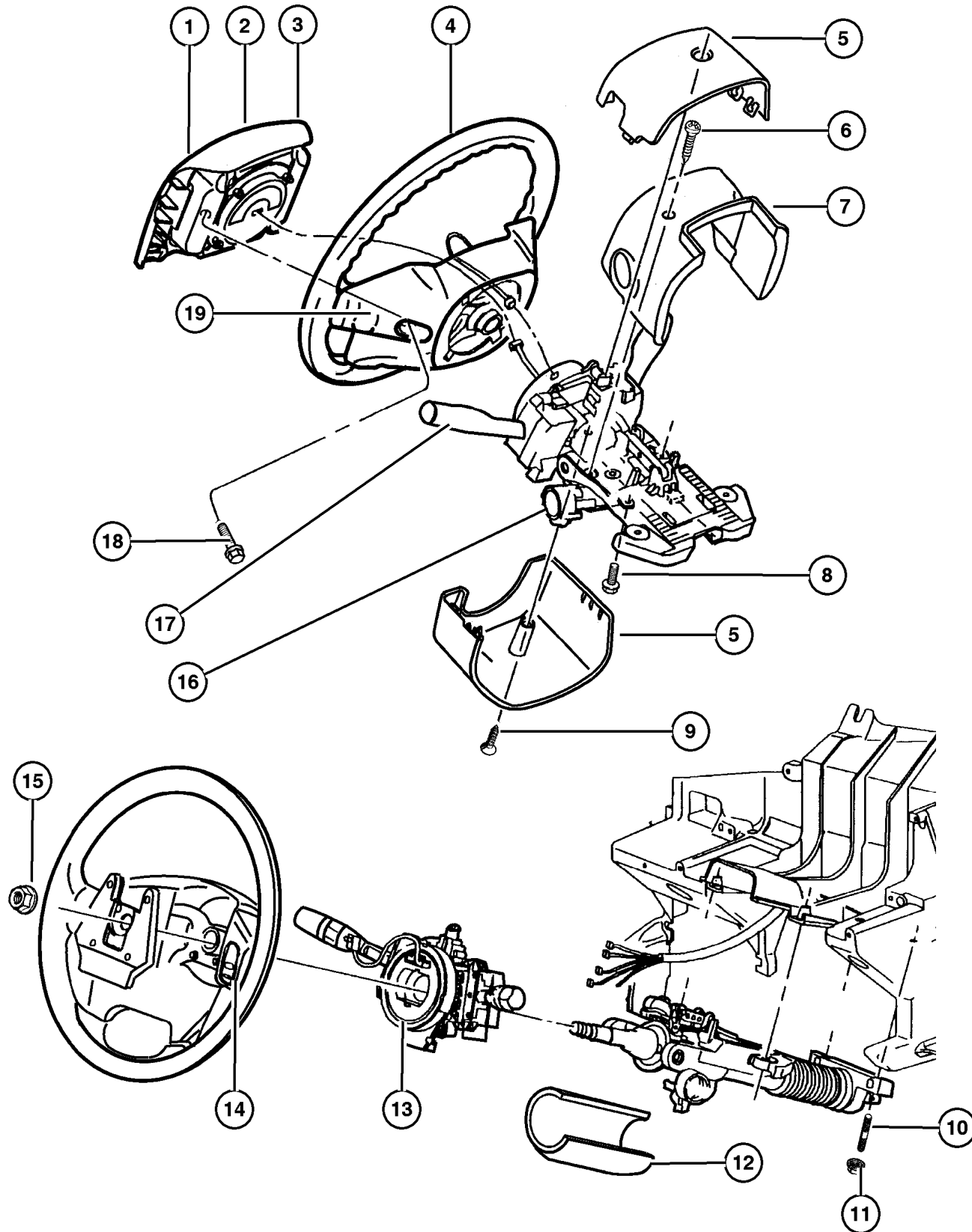
ITEM	PART NUMBER	QTY	LINE	SERIES	ENGINE	TRANS	DESCRIPTION
8	6505 513AA	1					SCREW, Tapping, M4x0.7x14, Smart Key Immobilizer Module, Mounting
9	6034 678	1					SCREW, Self Piercing, .164-15-1, Shroud to Shroud
10							STUD, M6x1.00mmx48.80mm, (NOT SERVICED)
11	6503 014	4					NUT AND WASHER, Hex, M6x1, Steering Column, Mounting
12	4690 413	2					COVER, Steering Wheel, Steering Column Tilt Assist Spring
13							CLOCKSPRING
	56042 341AE	1	J, T				
		1	J, U				
14							SWITCH, Speed Control [SCA], Right
	56042 310AC	1					[SCA], Right
	56042 311AC	1					[SCA], Left
	#5GY38 1AZAA	1		H			[SCL] AZ, Right
	#5GY39 1AZAA	1		H			[SCL] AZ, Left
	#5GY38 1AZAA	1		P			[SCL] AZ, Right
	#5GY39 1AZAA	1		P			[SCL] AZ, Left
	#5GY38 1K9AA	1		P			[SCL] K5, Right
	#5GY39 1K9AA	1		P			[SCL] K5, Left
	#5GY38 1L8AA	1		P			[SCL] L5, Right
	#5GY39 1L8AA	1		P			[SCL] L5, Left
15	6505 248AA	1					NUT, Hex Flange Lock, Steering Wheel, Mounting
16	56042 298AD	1					MODULE, Immobilizer, Sentry Key
17	4690 595AA	1					LEVER, Steering Column, Tilt
18	6506 091AA	2					SCREW, M6x1x25, Air Bag to Steering Wheel, Mounting
19							SWITCH, Remote Radio
	56042 312AB	1		H			Radio Control, Right
	56042 313AB	1		H			Radio Control, Left
	56042 312AB	1		P			Radio Control, Right
	56042 313AB	1		P			Radio Control, Left
-20	4595 746AA	1					LABEL, Air Bag Warning, End Cap
-21							HOUSING, Switch
	56042 297AD	1	J, T				Multifunction with Turn Signal Cancelling Cam
		1	J, U				Multifunction with Turn Signal Cancelling Cam

JEEP GRAND CHEROKEE (WJ)

SERIES	LINE	BODY	ENGINE	TRANSMISSION
H=Laredo	J = 4WD	74 = 4 Door(105.9 WB)	ER0, ERH = 4.0L, Power Tech I-6	DGK = 4 Speed Autm, 42RE
P=Limited	T = 2WD		EV0, EVA = 4.7L, Power Tech V8	DGW = 4 Speed Automatic, -44RE
	U = 4WD (RHD)		EXA, EX0 = 3.1L, 5 Cyl Turbo Diesel	DG4 = Multi Speed Automatic, -45RFE
				DGO = All Automatic

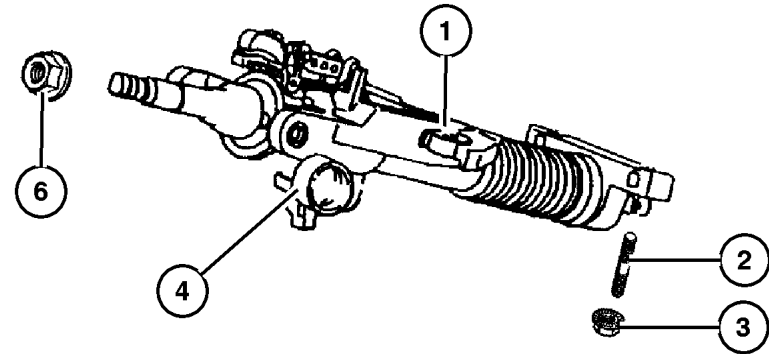
AR = Use as required - = Non illustrated part # = New this model year

April 3, 2002



**Steering Column Assy
Figure 019-210**

ITEM	PART NUMBER	QTY	LINE	SERIES	ENGINE	TRANS	DESCRIPTION
1							COLUMN, Steering, Tilt
	55115 970AD	1					w/Floor shift
	55116 975AD	1					Export
2							STUD, M6x1.00mmx48.80mm, (NOT SERVICED)
3	6503 014	4					NUT AND WASHER, Hex, M6x1, Steering Column Mounting
4	4690 488	1					HOUSING, Steering Column Lock, Includes Ignition Key Cylinder Ring
-5	4690 023	2					SCREW, Pan Head, .25-20x.62, Ignition Lock Housing Mounting
6	6505 248AA	1					NUT, Hex Flange Lock, Steering Wheel Attaching
-7	56042 298AD	1					MODULE, Immobilizer
-8							HOUSING, Switch
	56042 297AD	1	J, T				Multifunction
		1	J, U				Multifunction

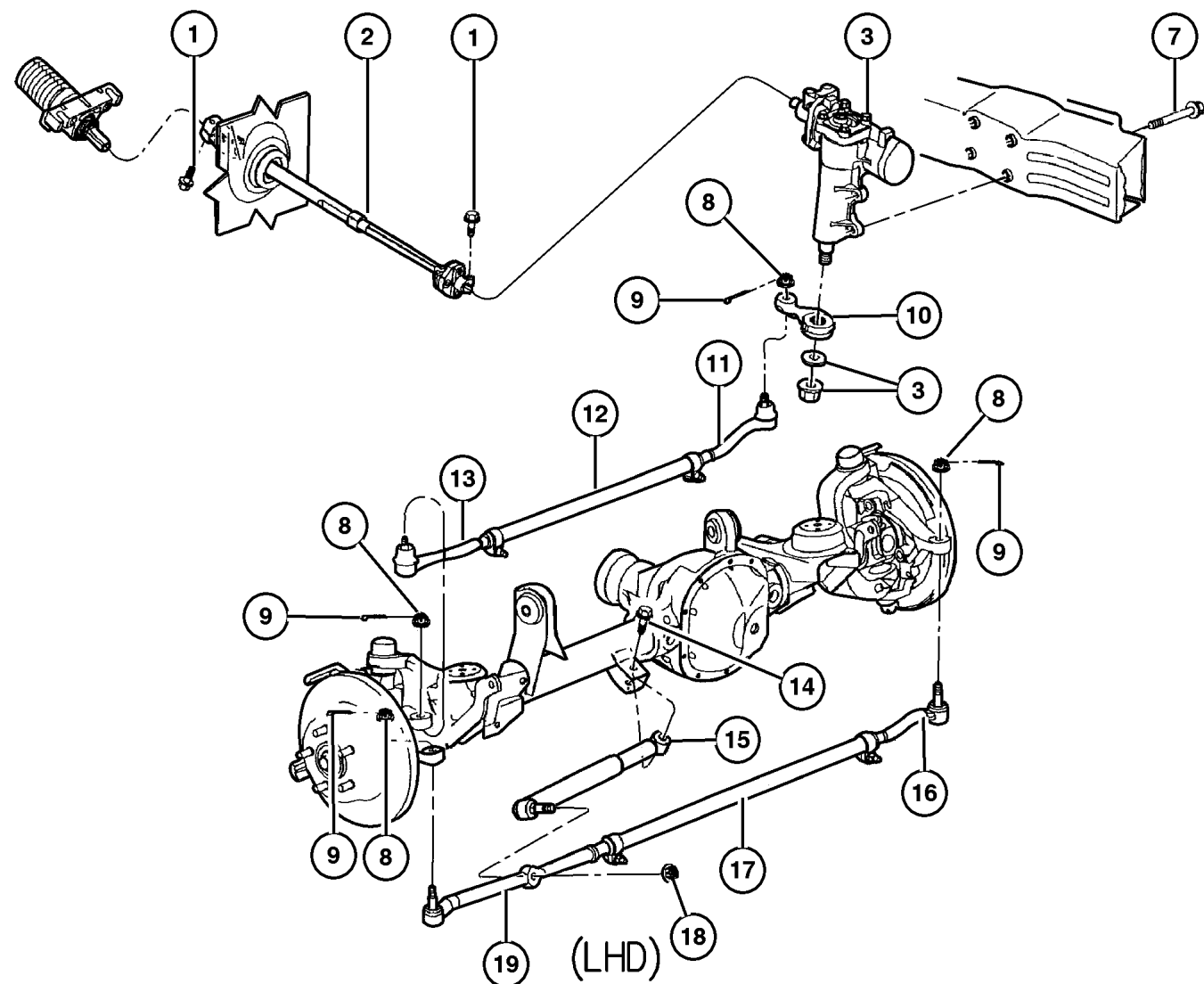


JEEP GRAND CHEROKEE (WJ)				
SERIES	LINE	BODY	ENGINE	TRANSMISSION
H=Laredo	J = 4WD	74 = 4 Door(105.9 WB)	ER0, ERH = 4.0L, Power Tech I-6	DGK = 4 Speed Autm, 42RE
P=Limited	T = 2WD		EV0, EVA = 4.7L, Power Tech V8	DGW = 4 Speed Automatic, -44RE
	U = 4WD (RHD)		EXA, EX0 = 3.1L, 5 Cyl Turbo Diesel	DG4 = Multi Speed Automatic, -45RFE
				DGO = All Automatic

AR = Use as required - = Non illustrated part # = New this model year

April 3, 2002

Steering Gear and Linkage-Left Hand Drive Figure 019-310



ITEM	PART NUMBER	QTY	LINE	SERIES	ENGINE	TRANS	DESCRIPTION
Note: T=2 Wheel Drive Left Hand Drive---J=4 Wheel Drive Left Hand Drive und in the VIN number							
1	6504 926AA	2					SCREW, Hex Flange Head, M10x1.5x40, Intermediate Shaft to Steering Column and to Steering Gear
2							SHAFT, Intermediate
	52088 253AE	1	J, T				Upto and Including 03-08-00
	#52088 253AG	1	J, T				03-09-00 and After
3							GEAR, Power Steering
	52088 272AC	1	J, T				
	5208 8273	1	J				Export
-4	5014 667AA	1	J, T				SEAL KIT, Steering Gear Housing
-5	5014 665AA	1	J, T				SEAL KIT, Steering Gear
-6	5014 671AA	1	J, T				SEAL KIT, Steering gear pitman shaft
7	6504 965AA	4					SCREW, Hex Head, Steering Gear to Sill Mounting
8							NUT, Hex, .50-20
	6034 358	2					Tie Rod to Knuckle
		1					Drag Link to Pitman Arm Mounting
		1					Drag Link to Knuckle Mounting
9							PIN, Cotter
	3420 2101	2					Tie Rod to Knuckle
		1					Drag Link to Pitman Arm
		1					Drag Link to Knuckle
10	5208 8242	1	J, T				ARM, Pitman
11	5208 8511	1	J, T				SOCKET, Tie Rod, Drag Link to Pitman Arm
12	5208 8463	1	J, T				LINK, Steering, Drag Link Adjuster
13	5208 8461	1	J, T				SOCKET, Tie Rod, Drag Link to Knuckle
14	6502 473	1					BOLT, Hex Flange Head, M12x1.75x65, Steering Damper to Axle Bracket Mounting
15	#52088 251AB	1					DAMPER, Steering
16	52088 869AA	1					SOCKET, Tie Rod, Outer, Left
17	52088 871AA	1					LINK, Steering, Adjuster Assembly
18	6505 822AA	1					NUT, Damper Stud to Tie Rod
19	52088 870AA	1					SOCKET, Tie Rod, Outer, Right

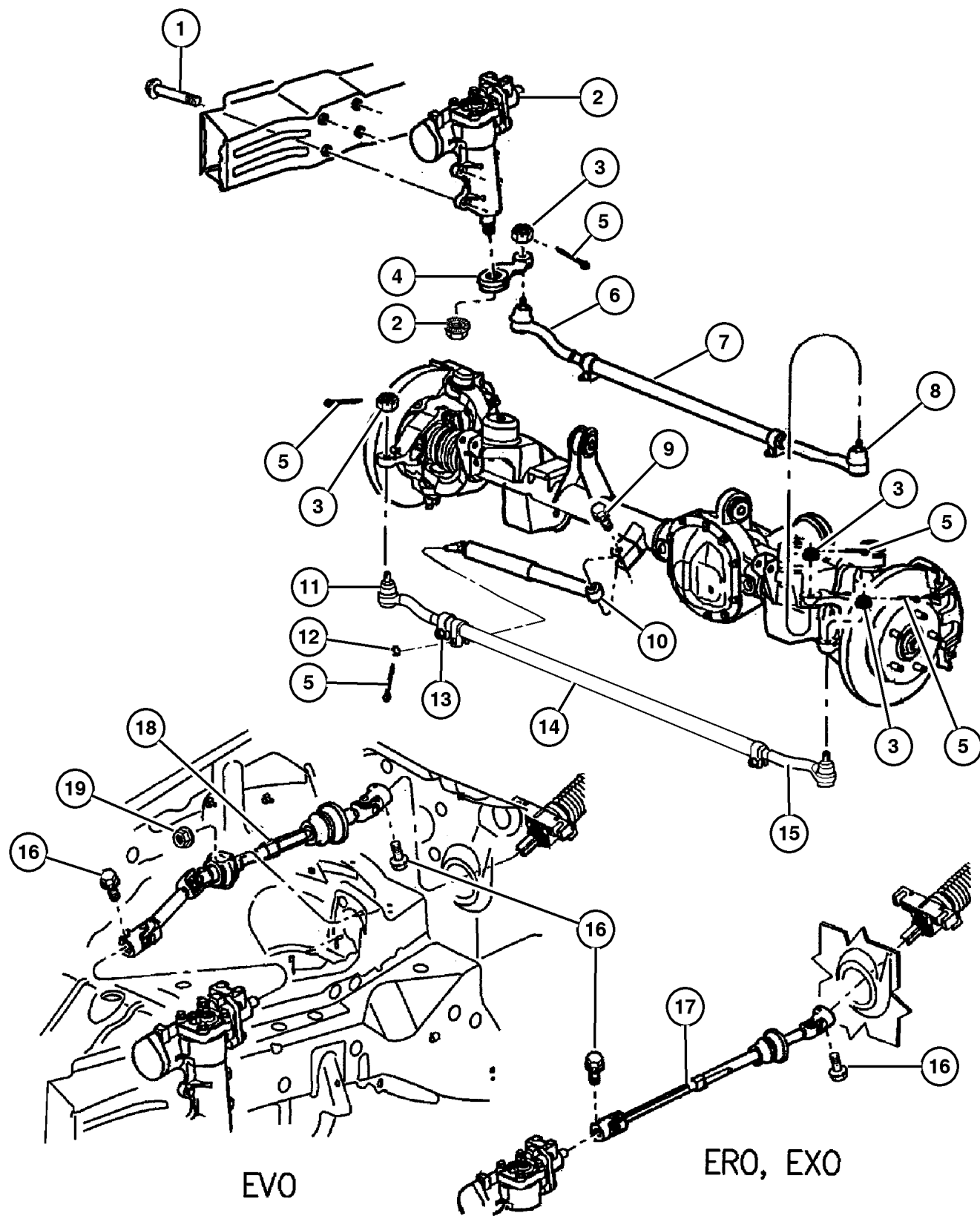
JEEP GRAND CHEROKEE (WJ)

SERIES	LINE	BODY	ENGINE	TRANSMISSION
H=Laredo	J = 4WD	74 = 4 Door(105.9 WB)	ER0, ERH = 4.0L, Power Tech I-6	DGK = 4 Speed Autm, 42RE
P=Limited	T = 2WD		EV0, EVA = 4.7L, Power Tech V8	DGW = 4 Speed Automatic, -44RE
	U = 4WD (RHD)		EXA, EX0 = 3.1L, 5 Cyl Turbo Diesel	DG4 = Multi Speed Automatic, -45RFE
				DGO = All Automatic

AR = Use as required - = Non illustrated part # = New this model year

April 3, 2002

Steering Gear and Linkage-Right Hand Drive Figure 019-320



ITEM	PART NUMBER	QTY	LINE	SERIES	ENGINE	TRANS	DESCRIPTION
Note:ERO=4.0L 6 Cylinder Gas Engine---EVO=4.7L Gas Engine---EXO=3.0/3.1L Turbo Diesel Engine und in the VIN number							
1	6504 965AA	4					SCREW, Hex Head, Steering Gear to Sill Mounting
2	5208 8471	1	U				GEAR, Power Steering
3	6034 358	1					NUT, Hex, .50-20
		1					Drag Link to Pitman Arm Mounting
		2					Tie Rod to Knuckle Mounting
		1					Drag Link to Knuckle Mounting
4	5208 8243	1	U				ARM, Pitman
5		1					PIN, Cotter
	3420 2101	1					Drag Link to Pitman Arm
		2					Tie Rod to Knuckle
		1					Drag Link to Knuckle
6	5208 8511	1	U				SOCKET, Tie Rod, Drag Link to Pitman Arm
7	52088 728AB	1	U				LINK, Steering, Drag Link Adjuster
8	5208 8512	1	U				SOCKET, Tie Rod, Drag Link to Knuckle
9	6502 473	1					BOLT, Hex Flange Head, M12x1.75x65, Steering Damper to Axle Bracket Mounting
10	#52088 251AB	1					DAMPER, Steering
11	52088 870AA	1					SOCKET, Tie Rod, Outer, Right
12	6505 822AA	1					NUT, Damper Stud to Tie Rod Mounting
13	52088 872AA	1					CLAMP, Steering Damper, to Tie Rod Assembly Mounting
14	52088 871AA	1					LINK, Steering
15	52088 869AA	1					SOCKET, Tie Rod, Outer, Left
16	6504 926AA	2					SCREW, Hex Flange Head, M10x1.5x40, Intermediate Shaft to Steering Column and to Steering Gear Mounting
17							SHAFT, Intermediate
	52088 253AE	1	U		ERO, EXO		Upto and Including 03-08-00
	#52088 253AG	1	U		ERO, EXO		03-09-00 and After
18	55116 336AC	1	U		EVO		SHAFT, Intermediate
19	6100 516	2	U		EVO		NUT, Hex Flange Lock, M6 Phosphate, Center bearing to Bracket Mounting

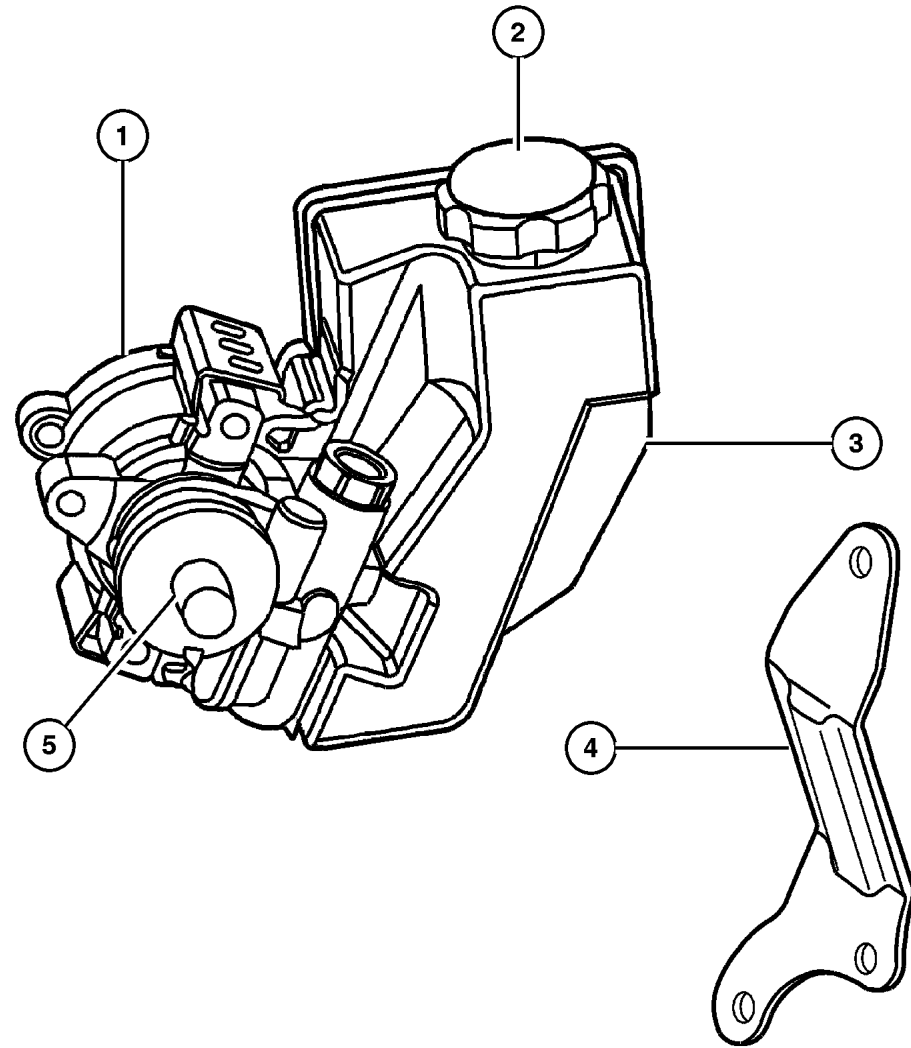
JEEP GRAND CHEROKEE (WJ)

SERIES	LINE	BODY	ENGINE	TRANSMISSION
H=Laredo	J = 4WD	74 = 4 Door(105.9 WB)	ERO, ERH = 4.0L, Power Tech I-6	DGK = 4 Speed Autm, 42RE
P=Limited	T = 2WD		EVO, EVA = 4.7L, Power Tech V8	DGW = 4 Speed Automatic, -44RE
	U = 4WD (RHD)		EXA, EXO = 3.1L, 5 Cyl Turbo Diesel	DG4 = Multi Speed Automatic, -45RFE
				DGO = All Automatic

AR = Use as required - = Non illustrated part # = New this model year

April 3, 2002

Power Steering Pumps-Gas
Figure 019-510



ITEM	PART NUMBER	QTY	LINE	SERIES	ENGINE	TRANS	DESCRIPTION
Note: ERO=4.0L 6 Cyl Engine---EVO = 4.7L Gas Engine und in the VIN number							
1	52088 278AB	1			ERO, EVO		PUMP, Power Steering
2	4897 287AA	1			ERO, EVO		CAP, Power Steering Reservoir
3	5016 184AA	1			ERO, EVO		RESERVOIR KIT, power steering pump
4	4854 157	1			ERO		BRACE, Power Steering Pump
5	4728 247	1			ERO, EVO		SEAL, Power Steering Pump Shaft
-6	53010 258AB	1			ERO, EVO		PULLEY, Power Steering Pump
-7	6502 425	3			ERO		SCREW AND WASHER, Hex Head, M8x1.25x95, Power Steering Pump and Brace Mounting
-8	6102 045AA	3			EVO		SCREW AND WASHER, Hex Head, Power Steering Pump Mounting

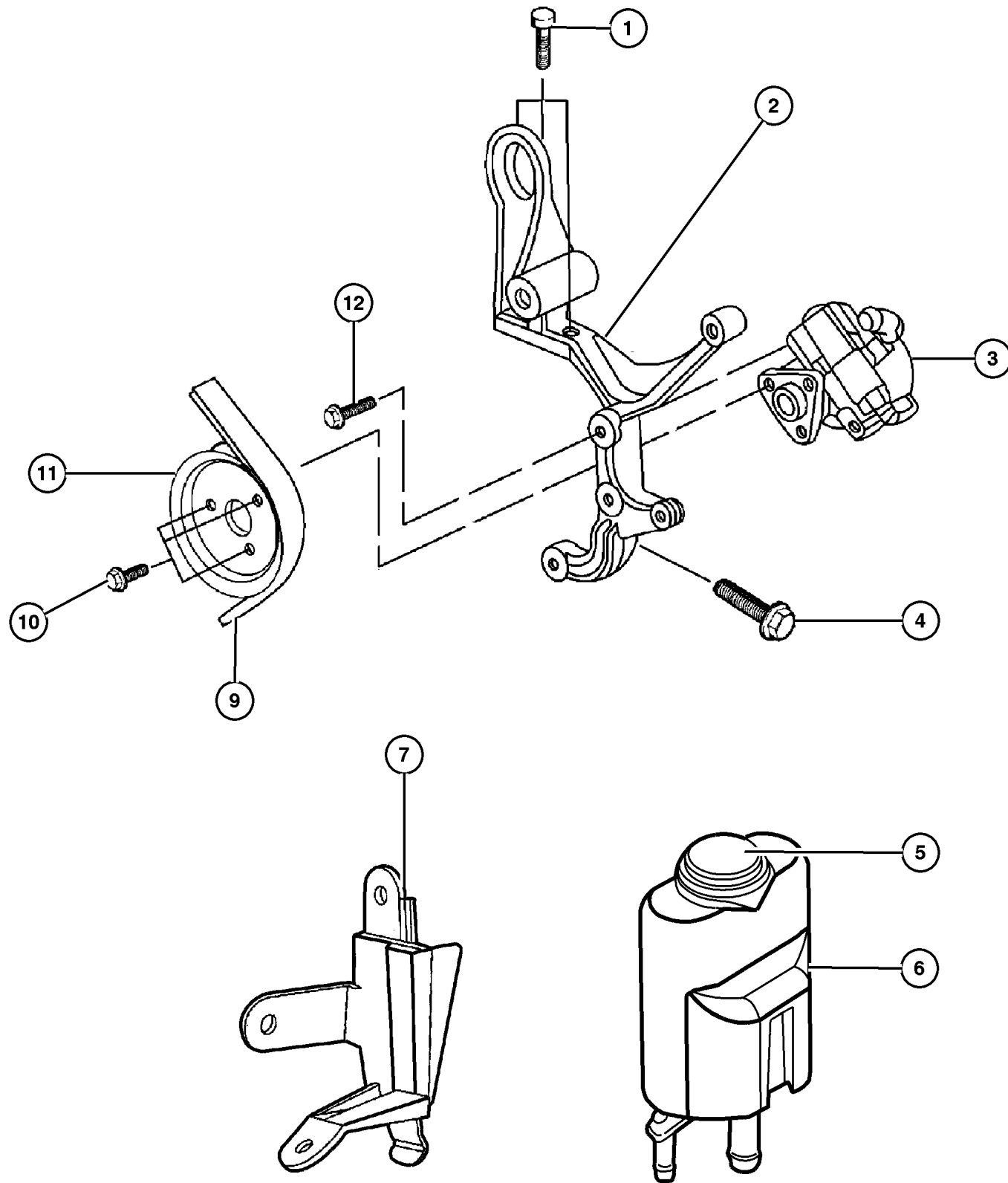
JEEP GRAND CHEROKEE (WJ)

SERIES	LINE	BODY	ENGINE	TRANSMISSION
H=Laredo	J = 4WD	74 = 4 Door(105.9 WB)	ERO, ERH = 4.0L, Power Tech I-6	DGK = 4 Speed Autm, 42RE
P=Limited	T = 2WD		EVO, EVA = 4.7L, Power Tech V8	DGW = 4 Speed Automatic, -44RE
	U = 4WD (RHD)		EXA, EX0 = 3.1L, 5 Cyl Turbo Diesel	DG4 = Multi Speed Automatic, -45RFE
				DGO = All Automatic

AR = Use as required - = Non illustrated part # = New this model year

April 3, 2002

Power Steering Pumps-Diesel
Figure 019-520



ITEM	PART NUMBER	QTY	LINE	SERIES	ENGINE	TRANS	DESCRIPTION
Note: und in the VIN number							
DG0 = All Automatic Transmissions und in the VIN number							
EXO = All 3.0/3.1L Turbo Diesel Engine und in the VIN number							
1	5015 073AA	3			EXO	DG0	BOLT, Power Steering Pump and Alternator Bracket Mounting
2	5015 072AA	1			EXO	DG0	BRACKET, Alternator, Power Steering Pump Mounting and
3	52088 582AB	1			EXO	DG0	PUMP, Power Steering
4	5015 074AA	1			EXO	DG0	BOLT, Power Steering Pump and Alternator Mounting
5	4694 766	1			EXO		CAP, Power Steering Pump
6	52087 713AD	1			EXO		RESERVOIR, Power Steering Pump
7	52088 529AA	1			EXO		BRACKET, Power Steering Reservoir, Mounting
-8	6101 777	1	J, T				SCREW, Hex Flange Head Tapping, M6x1.00x20.00, Power Steering Reservoir Mounting
9	5015 962AA	1			EXO	DG0	BELT, Alternator, Power Steering Pump and
10	5003 554AA	3			EXO	DG0	SCREW, Power Steering Pump Pulley Mounting
11	5015 034AA	1			EXO	DG0	PULLEY, Power Steering Pump
12	4864 534	3			EXO	DG0	BOLT, Adaptor Plate, Power Steering Pump Mounting

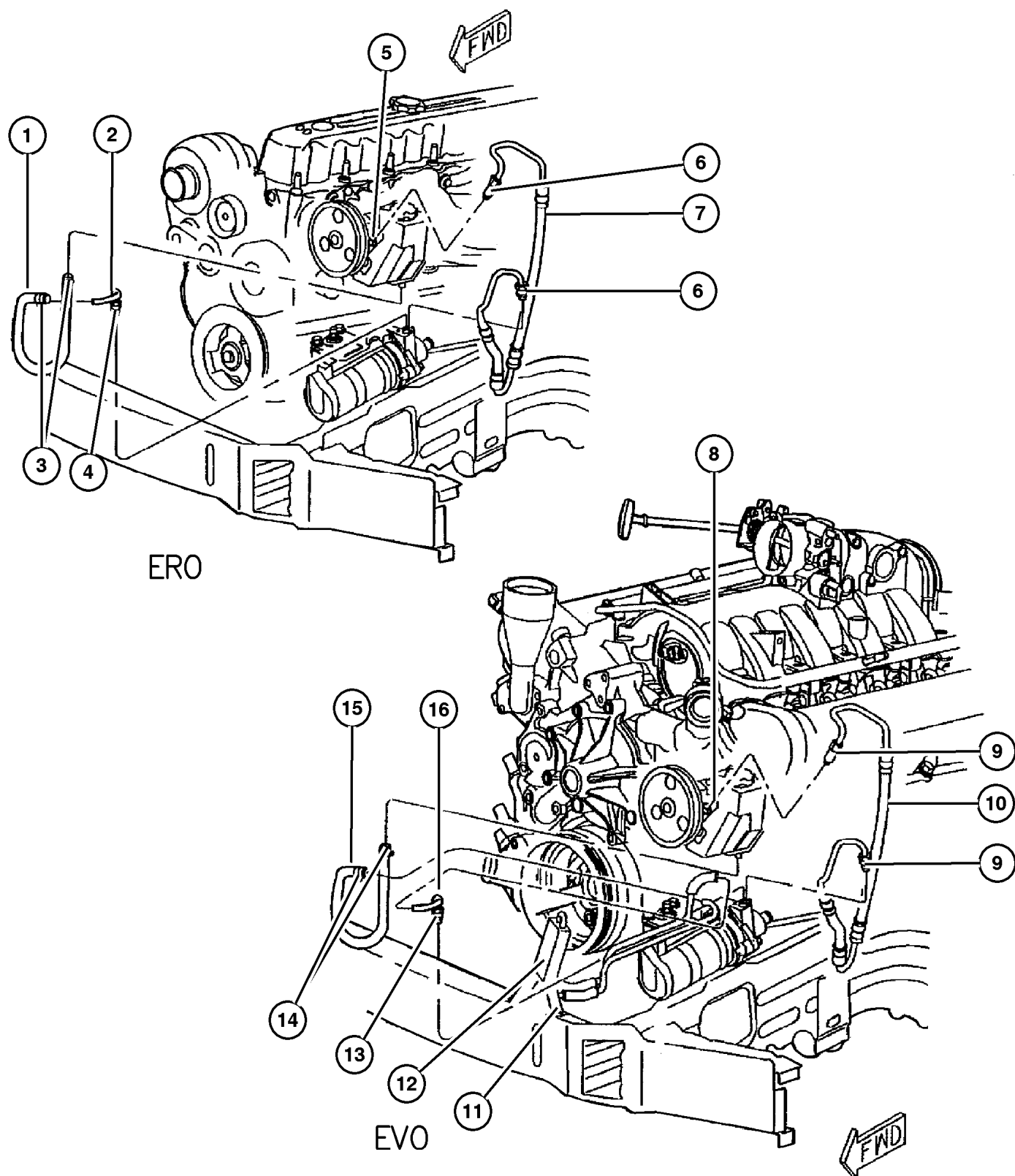
JEEP GRAND CHEROKEE (WJ)

SERIES	LINE	BODY	ENGINE	TRANSMISSION
H=Laredo	J = 4WD	74 = 4 Door(105.9 WB)	ER0, ERH = 4.0L, Power Tech I-6	DGK = 4 Speed Autm, 42RE
P=Limited	T = 2WD		EV0, EVA = 4.7L, Power Tech V8	DGW = 4 Speed Automatic, -44RE
	U = 4WD (RHD)		EXA, EX0 = 3.1L, 5 Cyl Turbo Diesel	DG4 = Multi Speed Automatic, -45RFE
				DGO = All Automatic

AR = Use as required - = Non illustrated part # = New this model year

April 3, 2002

Power Steering Hoses-Gas-Left Hand Drive
Figure 019-710



ITEM	PART NUMBER	QTY	LINE	SERIES	ENGINE	TRANS	DESCRIPTION
Note: ERO=All 4.0L 6 Cylinder Gas Engines---EVO=4.7L Gas Engine und in the VIN number							
1	52088 774AA	1	J, T		ERO		HOSE, Power Steering Return, Formed Rubber
2	52088 775AA	1	J, T				TUBE, Power Steering Return
3	2448 761	2	J, T		ERO		CLAMP, Hose
4	5205 254	1	J, T		ERO		O RING, Power Steering Hose
5	52088 116AB	1	J, T		ERO, EVO		FITTING, Quick Connect
6	5205 254	2	J, T		ERO		O RING, Power Steering Hose
7	52088 452AB	1	J, T		ERO		HOSE, Power Steering Pressure
8	52088 116AB	1	J, T		ERO, EVO		FITTING, Quick Connect
9	5205 254	2	J, T		EVO		O RING, Power Steering Hose
10	52088 453AB	1	J, T		EVO		HOSE, Power Steering Pressure
11	6101 777	2	J, T		EVO		SCREW, Hex Flange Head Tapping, M6x1.00x20.00
12	52088 618AA	1	J, T		EVO		COOLER, Power Steering
13	5205 254	1	J, T		EVO		O RING, Power Steering Hose
14	2448 761	2	J, T		EVO		CLAMP, Hose
15	52088 777AA	1	J, T		EVO		HOSE, Power Steering Return, Formed Rubber
16	52088 775AA	1	J, T				TUBE, Power Steering Return

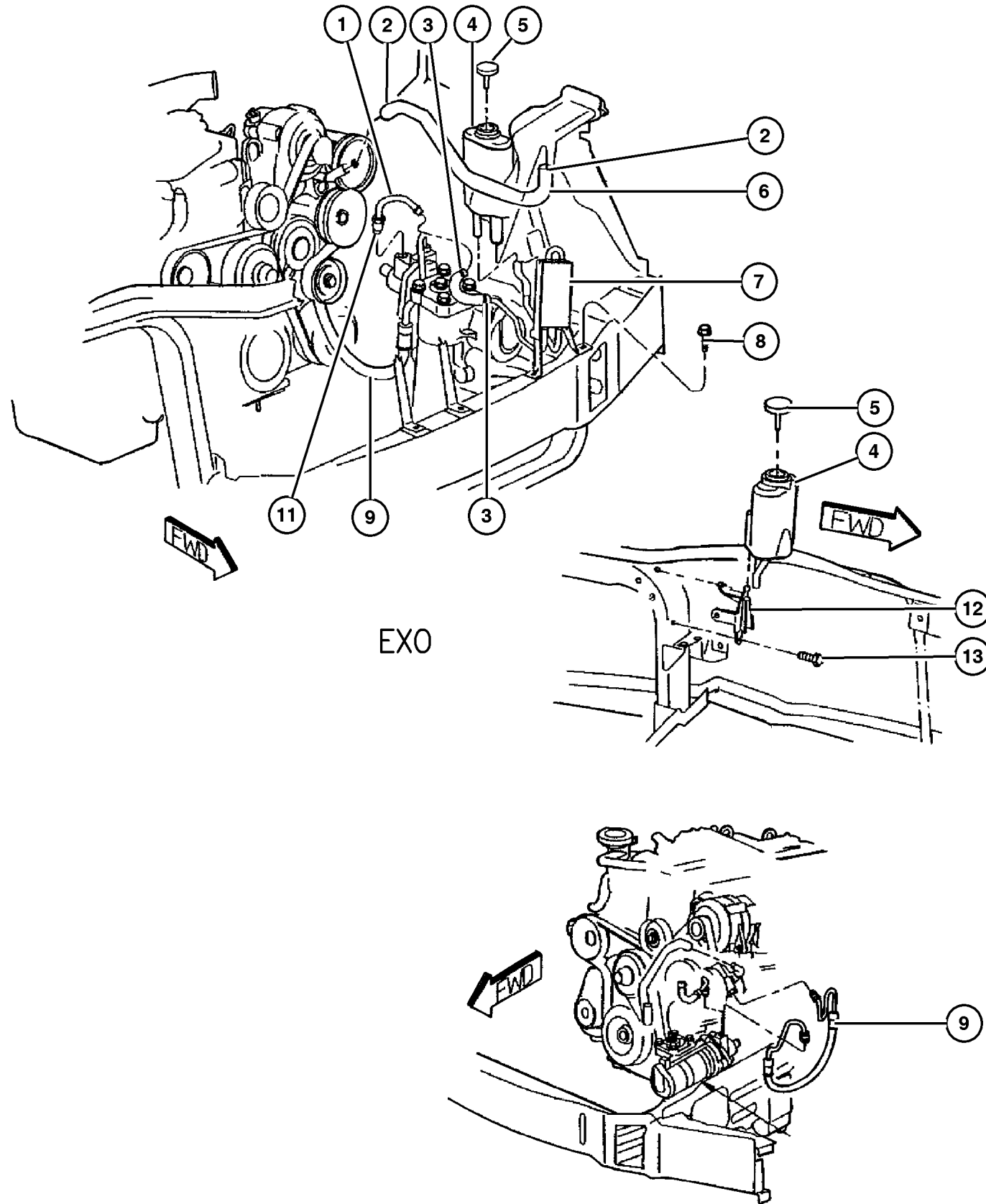
JEEP GRAND CHEROKEE (WJ)

SERIES	LINE	BODY	ENGINE	TRANSMISSION
H=Laredo	J = 4WD	74 = 4 Door(105.9 WB)	ERO, ERH = 4.0L, Power Tech I-6	DGK = 4 Speed Autm, 42RE
P=Limited	T = 2WD		EVO, EVA = 4.7L, Power Tech V8	DGW = 4 Speed Automatic, -44RE
	U = 4WD (RHD)		EXA, EX0 = 3.1L, 5 Cyl Turbo Diesel	DG4 = Multi Speed Automatic, -45RFE
				DGO = All Automatic

AR = Use as required - = Non illustrated part # = New this model year

April 3, 2002

**Power Steering Hoses-Diesel-Left Hand Drive
Figure 019-720**



ITEM	PART NUMBER	QTY	LINE	SERIES	ENGINE	TRANS	DESCRIPTION
Note: EX0=3.0/3.1L Turbo Diesel und in the VIN number							
1	52088 775AA	1	J, T				TUBE, Power Steering Return
2	2448 761	2	J, T		EX0		CLAMP, Hose
3	2448 761	2	J, T		EX0		CLAMP, Hose
4	52087 713AD	1			EX0		RESERVOIR, Power Steering Pump
5	4694 766	1			EX0		CAP, Power Steering Pump
6	52088 530AA	1			EX0		HOSE, Power Steering Reservoir
7	52088 618AB	1	J, T		EX0		COOLER, Power Steering
8	6102 132AA	3			EX0		SCREW, Hex Head, M6x1x20, Power Steering Reservoir Bracket Mounting
9	52088 666AB	1	J, T		EX0		HOSE, Power Steering Pressure
-10	5205 254	2	J, T		EX0		O RING, Power Steering Hose
11	5205 254	1	J, T		EX0		O RING, Power Steering Hose
12	52088 529AA	1			EX0		BRACKET, Power Steering Reservoir
13	6101 777	2	J		EX0		SCREW, Hex Flange Head Tapping, M6x1.00x20.00, Cooler to Crossmember

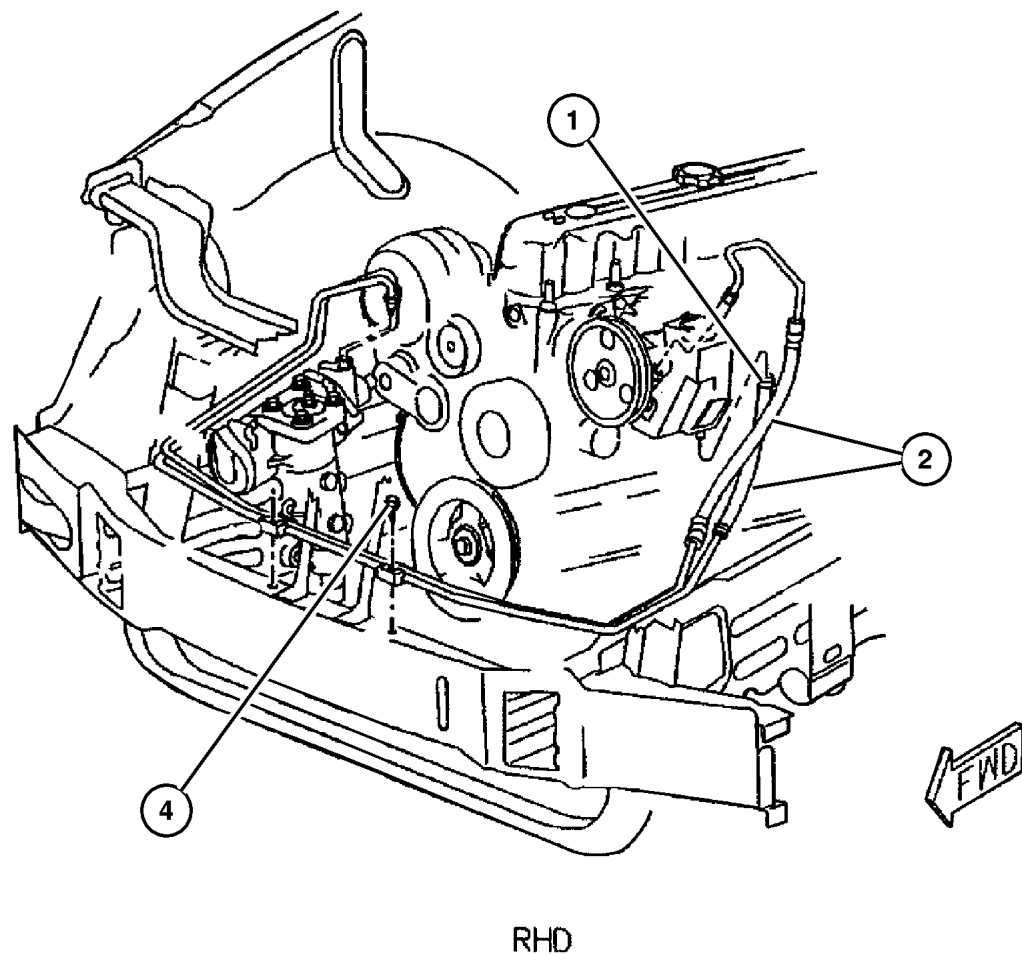
JEEP GRAND CHEROKEE (WJ)

SERIES	LINE	BODY	ENGINE	TRANSMISSION
H=Laredo	J = 4WD	74 = 4 Door(105.9 WB)	ER0, ERH = 4.0L, Power Tech I-6	DGK = 4 Speed Autm, 42RE
P=Limited	T = 2WD		EV0, EVA = 4.7L, Power Tech V8	DGW = 4 Speed Automatic, -44RE
	U = 4WD (RHD)		EXA, EX0 = 3.1L, 5 Cyl Turbo Diesel	DG4 = Multi Speed Automatic, -45RFE
				DGO = All Automatic

AR = Use as required - = Non illustrated part # = New this model year

April 3, 2002

**Power Steering Hoses-Gas-Right Hand Drive
Figure 019-730**



ITEM	PART NUMBER	QTY	LINE	SERIES	ENGINE	TRANS	DESCRIPTION
Note: und in the VIN number							
ER0 = All 4.0L 6 Cylinder Gas Engines und in the VIN number							
EVO = All 4.7L Gas Engine und in the VIN number							
EX0 = All Turbo Diesel Engines und in the VIN number							
1	2448 761	2	U		EX0		CLAMP, Hose
2	52088 620AD	1	U		ER0, EVO		HOSE, Power Steering, Pressure and Return Assembly
-3	5205 254	2	U		ER0, EVO		O RING, Power Steering Hose Pressure
		1	U		ER0, EVO		Return
4	6101 780	2	U		ER0, EVO		SCREW, M6x1x25, Power Steering Hose Retainer to Crossmember Mounting

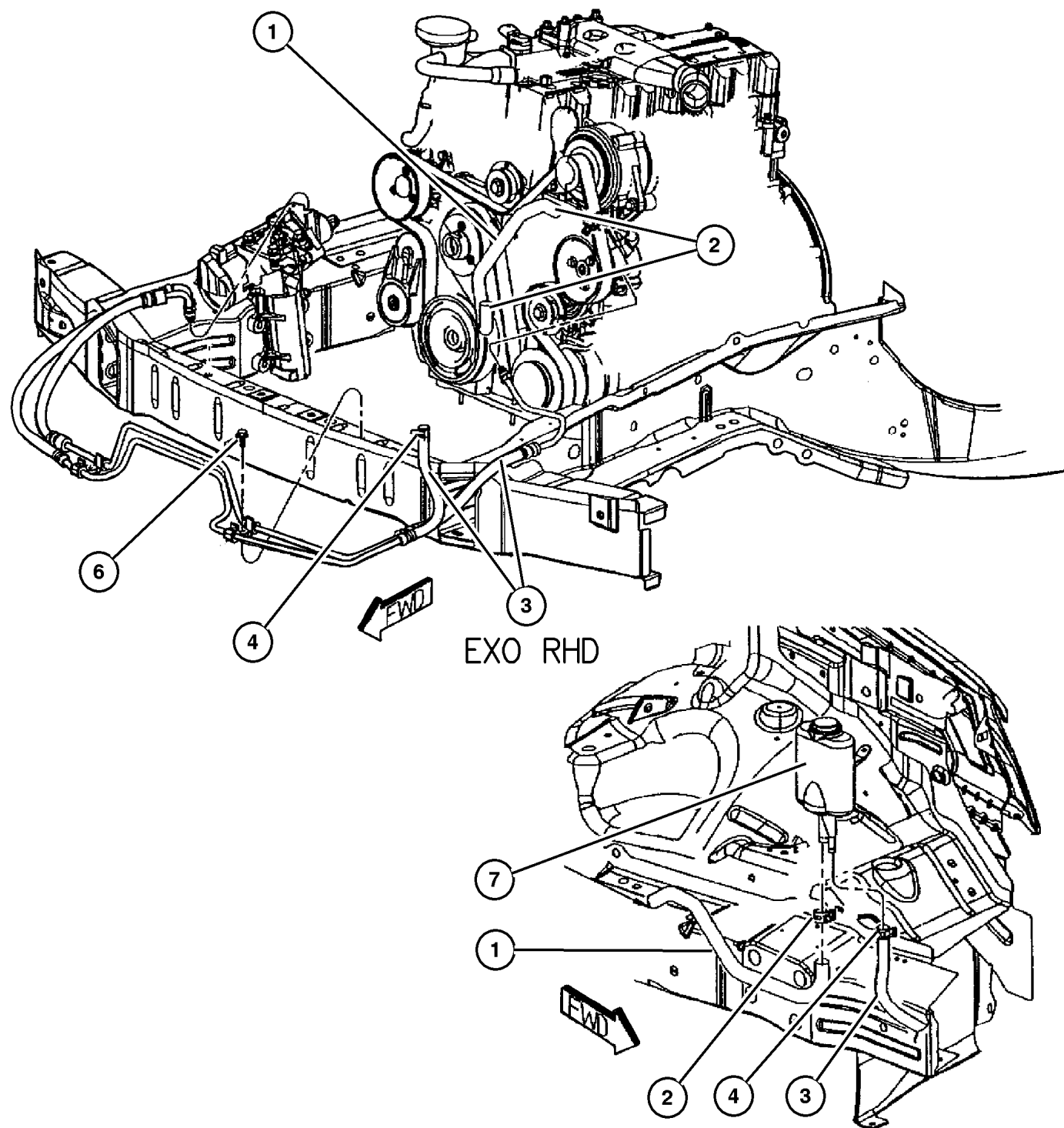
JEEP GRAND CHEROKEE (WJ)

SERIES	LINE	BODY	ENGINE	TRANSMISSION
H=Laredo	J = 4WD	74 = 4 Door(105.9 WB)	ER0, ERH = 4.0L, Power Tech I-6	DGK = 4 Speed Autm, 42RE
P=Limited	T = 2WD		EVO, EVA = 4.7L, Power Tech V8	DGW = 4 Speed Automatic, -44RE
	U = 4WD (RHD)		EXA, EX0 = 3.1L, 5 Cyl Turbo Diesel	DG4 = Multi Speed Automatic, -45RFE
				DGO = All Automatic

AR = Use as required - = Non illustrated part # = New this model year

April 3, 2002

**Power Steering Hoses-Diesel-Right Hand Drive
Figure 019-740**



ITEM	PART NUMBER	QTY	LINE	SERIES	ENGINE	TRANS	DESCRIPTION
Note: EX0=3.0/3.1L Turbo Diesel und in the VIN number							
1	52088 530AA	1			EX0		HOSE, Power Steering Reservoir
2	2448 761	2	U		EX0		CLAMP, Hose, Reservoir
3	#52088 622AB	1	U		EX0		HOSE ASSEMBLY, P/S PRESSURE AND RETURN
4	2448 761	2	U		EX0		CLAMP, Hose, For Return Hose to Reservoir
-5							O RING, Power Steering Hose
	5205 254	1	U		EX0		For Return Hose Fitting
		2	U		EX0		For Pressure Hose Fittings
6	6102 132AA	3			EX0		SCREW, Hex Head, M6x1x20, Power Steering
							Pressure and Return Hose to Crossmember Mounting
7	52087 713AD	1			EX0		RESERVOIR, Power Steering Pump

JEEP GRAND CHEROKEE (WJ)

SERIES	LINE	BODY	ENGINE	TRANSMISSION
H=Laredo	J = 4WD	74 = 4 Door(105.9 WB)	ER0, ERH = 4.0L, Power Tech I-6	DGK = 4 Speed Autm, 42RE
P=Limited	T = 2WD		EV0, EVA = 4.7L, Power Tech V8	DGW = 4 Speed Automatic, -44RE
	U = 4WD (RHD)		EXA, EX0 = 3.1L, 5 Cyl Turbo Diesel	DG4 = Multi Speed Automatic, -45RFE
				DGO = All Automatic

AR = Use as required - = Non illustrated part # = New this model year

April 3, 2002

Group – 42RE

Automatic Transmission 4 Speed

GROUP 42RE - Automatic Transmission 4 Speed

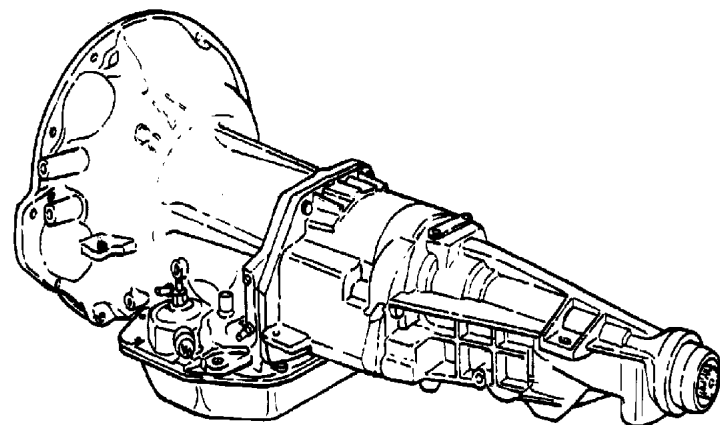
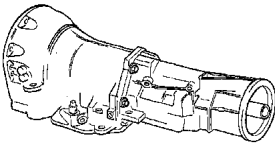
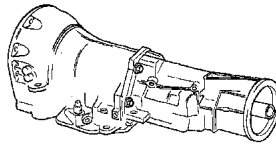

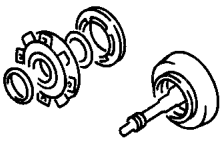
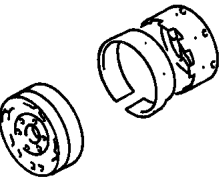
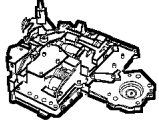
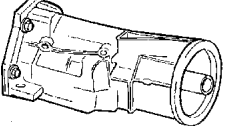
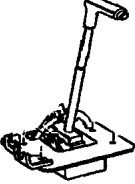
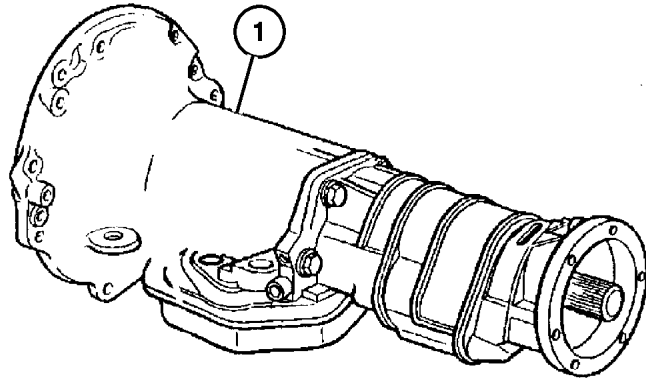


Illustration Title	Group-Fig. No.
Transmission Assembly	
Transmission 42RE [DGK]	Fig. 42RE-110
Case and Extension	
Case and Related Parts 42RE [DGK]	Fig. 42RE-210
Case Rear 42RE [DGK]	Fig. 42RE-220
Oil Pump	
Oil Pump 42RE [DGK]	Fig. 42RE-310
Gear Train	
Gear Train 42RE (DGK)	Fig. 42RE-410
Gear Train and Intermediate Shaft 42RE [DGK]	Fig. 42RE-420
Output Shaft 42RE [DGK]	Fig. 42RE-430
Bands, Reverse and Kickdown	
Bands 42RE [DGK]	Fig. 42RE-510
Valve Body	
Valve Body 42RE [DGK]	Fig. 42RE-710
Servos 42RE [DGK]	Fig. 42RE-720
Parking Sprag 42RE [DGK]	Fig. 42RE-730
Overdrive Gear Train	
Overdrive Gear Train 42RE [DGK]	Fig. 42RE-1010
Gearshift Controls	
Gearshift Controls 42RE [DGK]	Fig. 42RE-1210

42RE-100 Transmission Assembly 	42RE-200 Case and Extension 	42RE-300 Oil Pump 	42RE-400 Gear Train 
42RE-500 Bands, Reverse and Kickdown 	42RE-700 Valve Body 	42RE-1000 Overdrive Gear Train 	42RE-1200 Gearshift Controls 

**Transmission 42RE [DGK]
Figure 42RE-110**

ITEM	PART NUMBER	QTY	LINE	SERIES	ENGINE	TRANS	DESCRIPTION
NOTES: Sales Codes und in the VIN number							
[DGK] = 42RE Automatic Transmission und in the VIN number							
1	#5015 273AA	1	T			DGK	TRANSMISSION PACKAGE 52119836AA (Package Contains 52119836AA Transmission, K4736596 Converter, K1949765 Bolts)
	#5015 274AA	1	J, U			DGK	52119837AA (Package Contains 52119837AA Transmission, K4736596 Converter, K1949765 Bolts)
-2	5211 8782	1	T			DGK	OVERDRIVE
	52118 783AB	1	J, U			DGK	



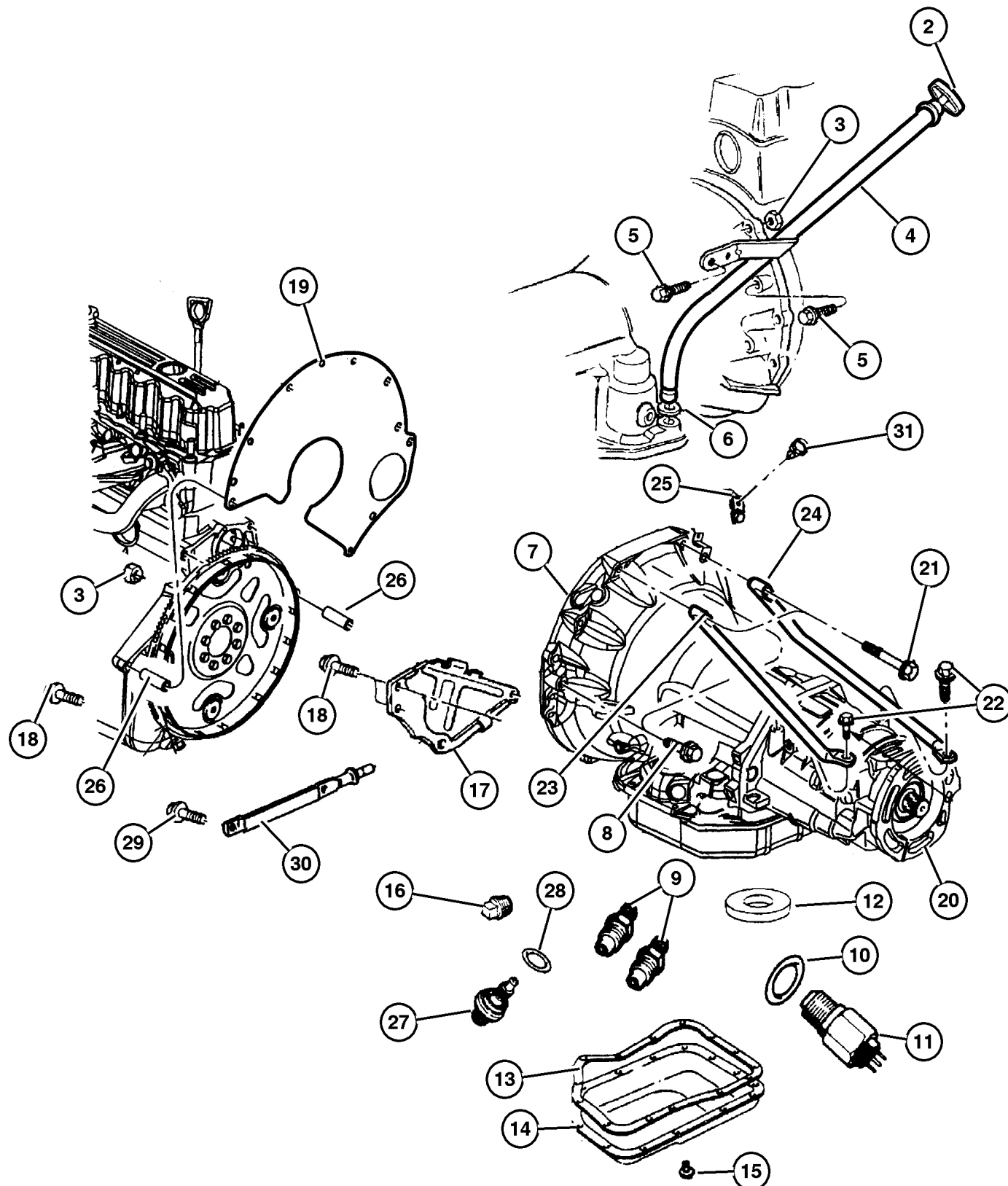
JEEP GRAND CHEROKEE (WJ)

SERIES	LINE	BODY	ENGINE	TRANSMISSION
H=Laredo	J = 4WD	74 = 4 Door(105.9 WB)	ER0, ERH = 4.0L, Power Tech I-6	DGK = 4 Speed Autm, 42RE
P=Limited	T = 2WD		EVO, EVA = 4.7L, Power Tech V8	DGW = 4 Speed Automatic, -44RE
	U = 4WD (RHD)		EXA, EX0 = 3.1L, 5 Cyl Turbo Diesel	DG4 = Multi Speed Automatic, -45RFE
				DGO = All Automatic

AR = Use as required - = Non illustrated part # = New this model year

April 3, 2002

**Case and Related Parts 42RE [DGK]
Figure 42RE-210**



ITEM	PART NUMBER	QTY	LINE	SERIES	ENGINE	TRANS	DESCRIPTION
NOTES: Sales Codes und in the VIN number							
[DGK] = 42RE Automatic Transmission und in the VIN number							
[DGO] = All Automatic Transmission und in the VIN number							
[ER0] = All 4.0L 6 Cylinder Gas Engines und in the VIN number							
[EX0] = All 3.0/3.1L Turbo Diesel Engine und in the VIN number							
-1							SEAL AND GASKET PACKAGE, Transmission
	#4863 907AD	1	T			DGK	
		1	J, U			DGK	
2	5211 8641	1			ER0, EX0		INDICATOR, Transmission Fluid Level
3	J021 9422	1				DGK	NUT, Hex
4	5210 4247	1			ER0	DGK	TUBE, Transmission Oil Filler
5	0153 371	1				DGK	BOLT, Hex Head, .375-16x2.25
6	52118 629AB	1				DG0	SEAL, Oil Filler Tube
7							CASE, Transmission
	5211 8291	1	T			DGK	
		1	J, U			DGK	
8	J400 4370	2				DGK	BOLT AND WASHER, Hex Head, .437-14x2.75
9							NUT, Inverted Flare, .62-18
	6033 879	2	T			DGK	
		2	J, U			DGK	
10							WASHER, Switch
	2408 143	1	T			DGK	
		1	J, U			DGK	
11							SWITCH, Neutral, Safety, Back Up
	3747 361	1	J, U			DGK	
		1	T			DGK	
12							MAGNET, Transmission
	3681 601	1	T			DGK	
		1	J, U			DGK	
13							GASKET, Oil Pan
	4295 875	1	T			DGK	
		1	J, U			DGK	
14							PAN, Transmission Oil
	52118 779AB	1	T			DGK	
		1	J, U			DGK	
15							SCREW AND WASHER, Hex Head, .312-18x.625
	4723 548	12	T			DGK	
		12	J, U			DGK	
16							PLUG, Pressure Check
	6028 095	1	T			DGK	
		1	J, U			DGK	

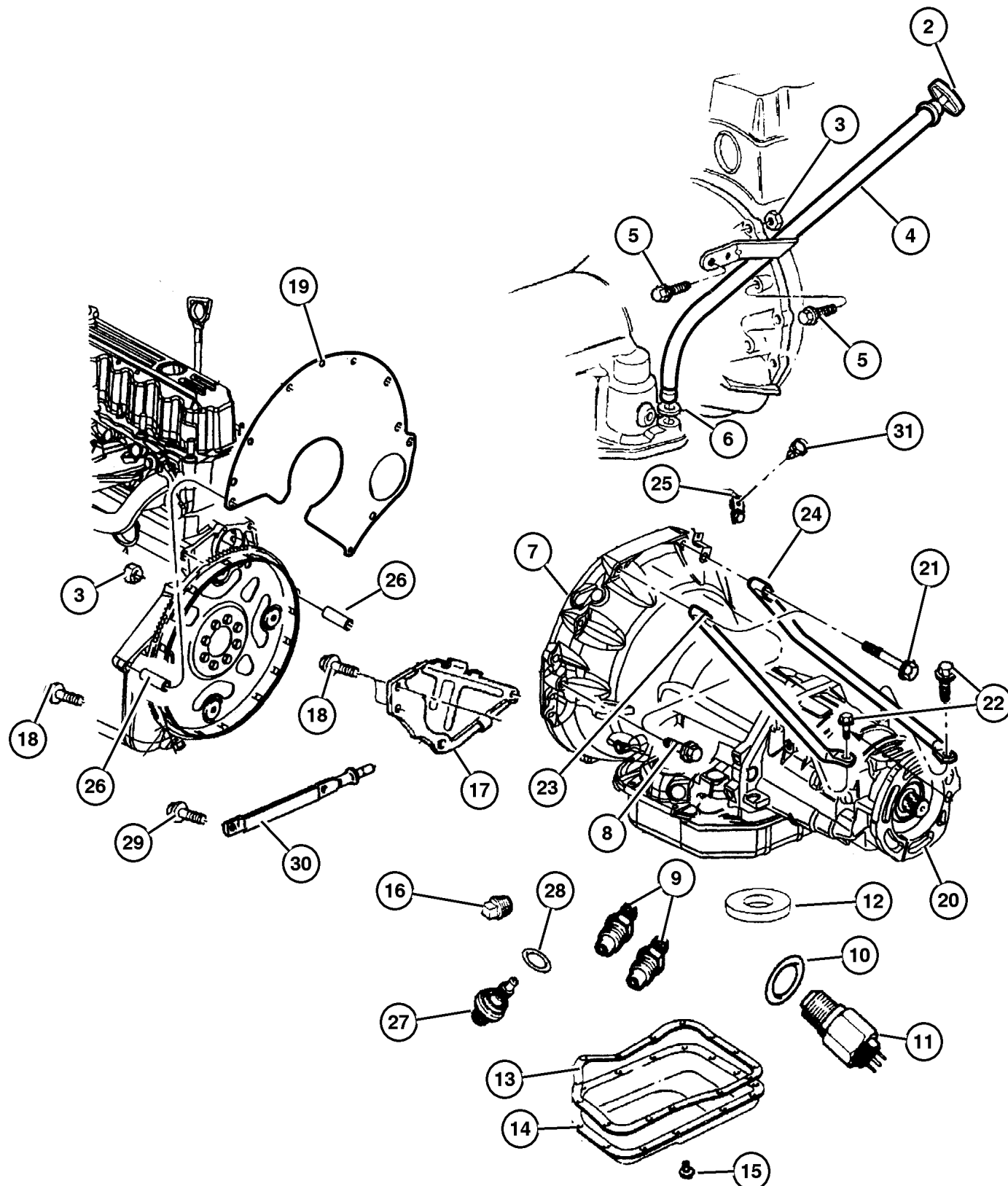
JEEP GRAND CHEROKEE (WJ)

SERIES	LINE	BODY	ENGINE	TRANSMISSION
H=Laredo	J = 4WD	74 = 4 Door(105.9 WB)	ER0, ERH = 4.0L, Power Tech I-6	DGK = 4 Speed Autm, 42RE
P=Limited	T = 2WD		EV0, EVA = 4.7L, Power Tech V8	DGW = 4 Speed Automatic, -44RE
	U = 4WD (RHD)		EXA, EX0 = 3.1L, 5 Cyl Turbo Diesel	DG4 = Multi Speed Automatic, -45RFE
				DGO = All Automatic

AR = Use as required - = Non illustrated part # = New this model year

April 3, 2002

Case and Related Parts 42RE [DGK]
Figure 42RE-210



ITEM	PART NUMBER	QTY	LINE	SERIES	ENGINE	TRANS	DESCRIPTION
17	52118 136AB	1				DGK	COVER, Converter
18	4723 548	12	T			DGK	SCREW AND WASHER, Hex Head, .312-18x.625
		12	J, U			DGK	
19	J323 7847	1			ER0	DG0	SPACER, Clutch Housing
20	5012 428AA	1	J, U			DGK	ADAPTER, Transfer Case
21	6034 242	2	J, U		ER0	DG0	SCREW AND WASHER
22	6027 865	2	J, U		ER0	DG0	SCREW, .375-16x1.375, 06025677
23	5210 4201	1	J, U		ER0	DG0	BRACE, Bending Transmission, Top Left
24	5210 4200	1	J, U		ER0	DG0	BRACE, Bending Transmission, Top Right
25	5209 8522	1	J, U		ER0, EX0		BRACKET, Tube
26	J400 5148	2			ER0		DOWEL, Transmission
27							SENSOR, Transmission Output Speed
	4412 879	1	T			DGK	
		1	J, U			DGK	
28							O RING, Trans Speed Sensor
	6501 701	1	T			DGK	
		1	J, U			DGK	
29	6034 498	2	J, U		ER0	DG0	SCREW AND WASHER, Hex Head, .312-18x1.25
30	52104 250AA	1	J, U		ER0	DG0	BRACE, Bell Housing
31	J400 5701	1	J, U				CLIP

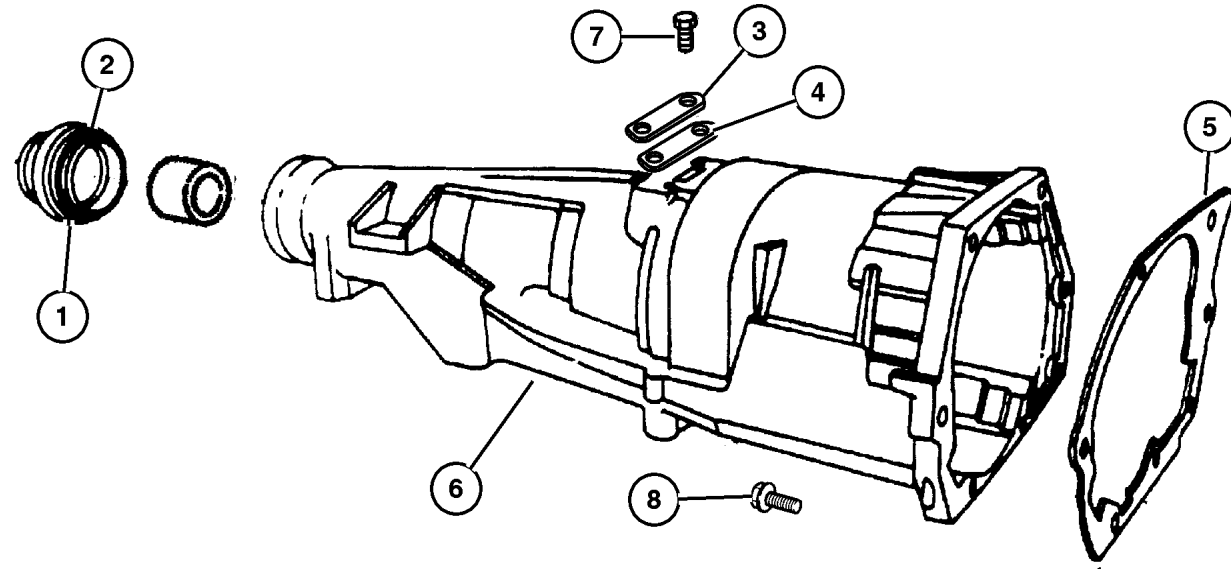
JEEP GRAND CHEROKEE (WJ)

SERIES	LINE	BODY	ENGINE	TRANSMISSION
H=Laredo	J = 4WD	74 = 4 Door(105.9 WB)	ER0, ERH = 4.0L, Power Tech I-6	DGK = 4 Speed Autm, 42RE
P=Limited	T = 2WD		EVA, EVA = 4.7L, Power Tech V8	DGW = 4 Speed Automatic, -44RE
	U = 4WD (RHD)		EXA, EX0 = 3.1L, 5 Cyl Turbo Diesel	DG4 = Multi Speed Automatic, -45RFE
				DGO = All Automatic

AR = Use as required - = Non illustrated part # = New this model year

April 3, 2002

Case Rear 42RE [DGK]
Figure 42RE-220



ITEM	PART NUMBER	QTY	LINE	SERIES	ENGINE	TRANS	DESCRIPTION
NOTES: Sales Codes und in the VIN number							
[DGK] = 42RE Automatic Transmission und in the VIN number							
1	4531 216	1	T			DGK	SEAL, Extension Yoke
2	4269 956	1	J, U			DGK	SEAL, Adapter
3							COVER, Transmission Converter
	2466 957	1	J, U			DGK	
		1	T			DGK	
4							GASKET, Transmission
	2801 398	1	T			DGK	
		1	J, U			DGK	
5							GASKET, Overdrive Piston Retainer
	4471 564	1	J, U			DGK	
		1	T			DGK	
6	5003 231AA	1	T			DGK	CASE, Transmission Rear
7							SCREW, (NOT SERVICED)
8							SCREW, Hex Flange Head, .375-16x1.38
	6036 046AA	7	T			DGK	
		7	J, U			DGK	

JEEP GRAND CHEROKEE (WJ)

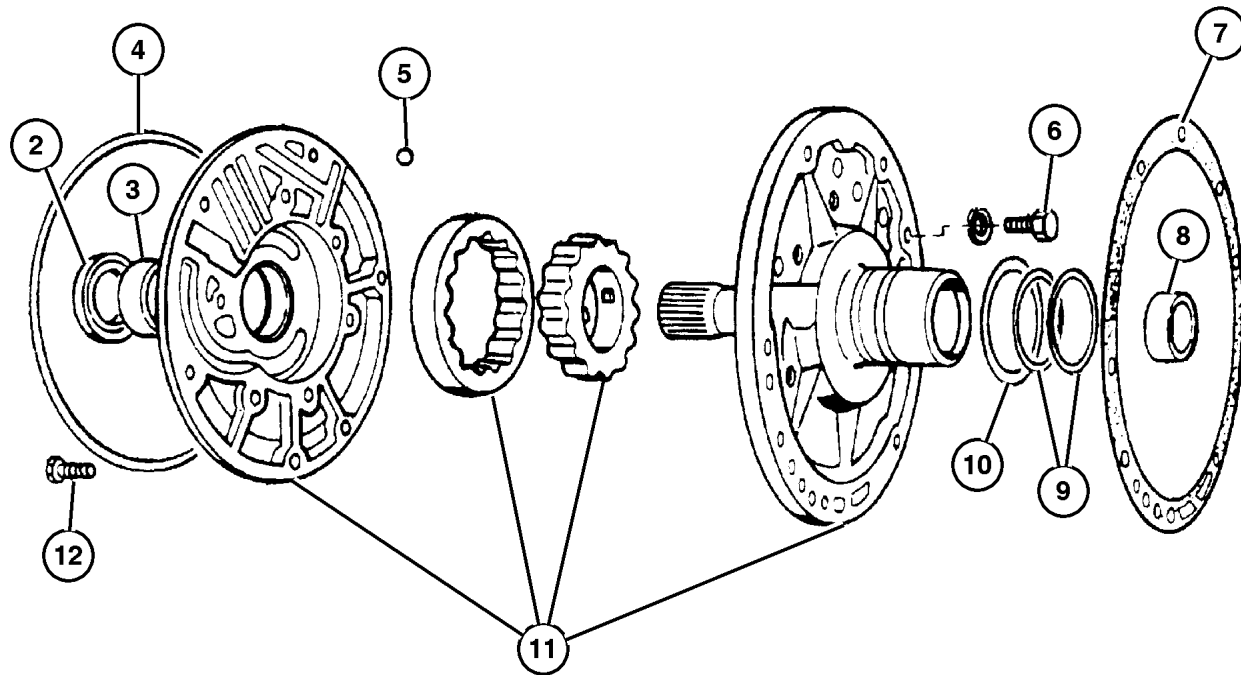
SERIES	LINE	BODY	ENGINE	TRANSMISSION
H=Laredo	J = 4WD	74 = 4 Door(105.9 WB)	ER0, ERH = 4.0L, Power Tech I-6	DGK = 4 Speed Autm, 42RE
P=Limited	T = 2WD		EVO, EVA = 4.7L, Power Tech V8	DGW = 4 Speed Automatic, -44RE
	U = 4WD (RHD)		EXA, EX0 = 3.1L, 5 Cyl Turbo Diesel	DG4 = Multi Speed Automatic, -45RFE
				DGO = All Automatic

AR = Use as required - = Non illustrated part # = New this model year

April 3, 2002

Oil Pump 42RE [DGK] Figure 42RE-310

ITEM	PART NUMBER	QTY	LINE	SERIES	ENGINE	TRANS	DESCRIPTION
NOTES: Sales Codes: und in the VIN number							
[DGK] = 42RE Automatic Transmission und in the VIN number							
		-1					GASKET AND SEAL PACKAGE, Transmission Oil Pump
	4713 108AB	1	T			DGK	
		1	J, U			DGK	
2							SEAL, Impeller Hub, 57.25mm OD
	4412 475	1	T			DGK	
		1	J, U			DGK	
3							BUSHING, Front Pump
	2466 796	1	T			DGK	
		1	J, U			DGK	
4							SEAL, Front Pump Housing
	2204 709	1	T			DGK	
		1	J, U			DGK	
5							BALL, Valve Body Check
	0104 918	1	T			DGK	
		1	J, U			DGK	
6							SCREW, Hex Head, .312-18x.687
	0179 815	6	T			DGK	
		6	J, U			DGK	
7							GASKET, Transmission Oil Pump
	5211 8266	1	T			DGK	
		1	J, U			DGK	
8							BUSHING, Reaction Shaft
	4058 635	1	T			DGK	
		1	J, U			DGK	
9							SEAL, Ring Reaction Support, 2 1/16 O.D.
	4471 874	2	T			DGK	
		2	J, U			DGK	
10							THRUST WASHER, Front Clutch
	4617 786	1	T			DGK	
		1	J, U			DGK	
11							PUMP, Transmission Oil
	52118 267AB	1	T			DGK	
		1	J, U			DGK	
12							SCREW AND WASHER, Hex Flange Head, .312-18x1.375
	6023 943	6	T			DGK	
		6	J, U			DGK	



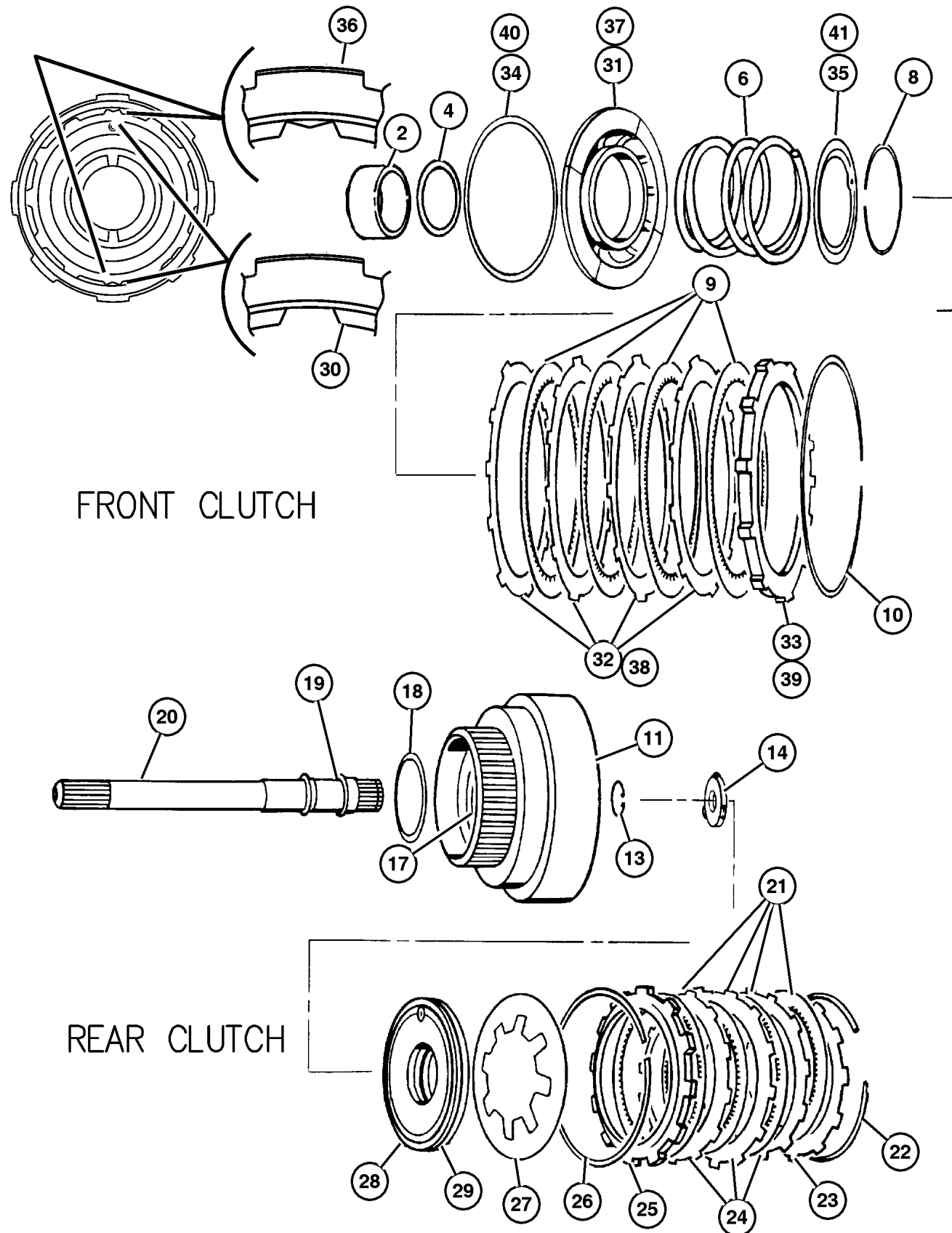
JEEP GRAND CHEROKEE (WJ)

SERIES H=Laredo P=Limited	LINE J = 4WD T = 2WD U = 4WD (RHD)	BODY 74 = 4 Door(105.9 WB)	ENGINE ER0, ERH = 4.0L, Power Tech I-6 EV0, EVA = 4.7L, Power Tech V8 EXA, EX0 = 3.1L, 5 Cyl Turbo Diesel	TRANSMISSION DGK = 4 Speed Autm, 42RE DGW = 4 Speed Automatic, -44RE DG4 = Multi Speed Automatic, -45RFE DGO = All Automatic
---------------------------------	---	-------------------------------	--	--

AR = Use as required - = Non illustrated part # = New this model year

April 3, 2002

**Gear Train 42RE (DGK)
Figure 42RE-410**



ITEM	PART NUMBER	QTY	LINE	SERIES	ENGINE	TRANS	DESCRIPTION
NOTES: Sales Codes und in the VIN number							
[DGK] = 42RE Automatic Transmission und in the VIN number							
-1	#5252 926AB	1	T			DGK	SEAL PACKAGE, Transmission Clutch
		1	J, U			DGK	
2	4617 157	1	T			DGK	BUSHING, Front Clutch
		1	J, U			DGK	
-3	4617 159	1	T			DGK	BUSHING, Rear Clutch
		1	J, U			DGK	
4	3515 176	1	T			DGK	SEAL, Front Clutch Piston
		1	J, U			DGK	
-5	0147 483	1	T			DGK	CHECK BALL, Dia-.187
		1	J, U			DGK	
6	3515 054	1	J, U			DGK	SPRING, Front Clutch
		1	T			DGK	
-7	0147 483	1	T			DGK	CHECK BALL, Dia-.187
		1	J, U			DGK	
8	3410 571	1	T			DGK	SNAP RING
		1	J, U			DGK	
9	4617 362	4	T			DGK	DISC, Direct Clutch
		4	J, U			DGK	
10	3410 571	1	T			DGK	SNAP RING
		1	J, U			DGK	
11	4505 199	1	T			DGK	RETAINER, Transmission Rear Clutch
		1	J, U			DGK	
-12	0147 483	1	T			DGK	CHECK BALL, Dia-.187
		1	J, U			DGK	
13	6022 859	1	T			DGK	SNAP RING, .890625
		1	J, U			DGK	
14							THRUST WASHER, Output Shaft, Gray .052

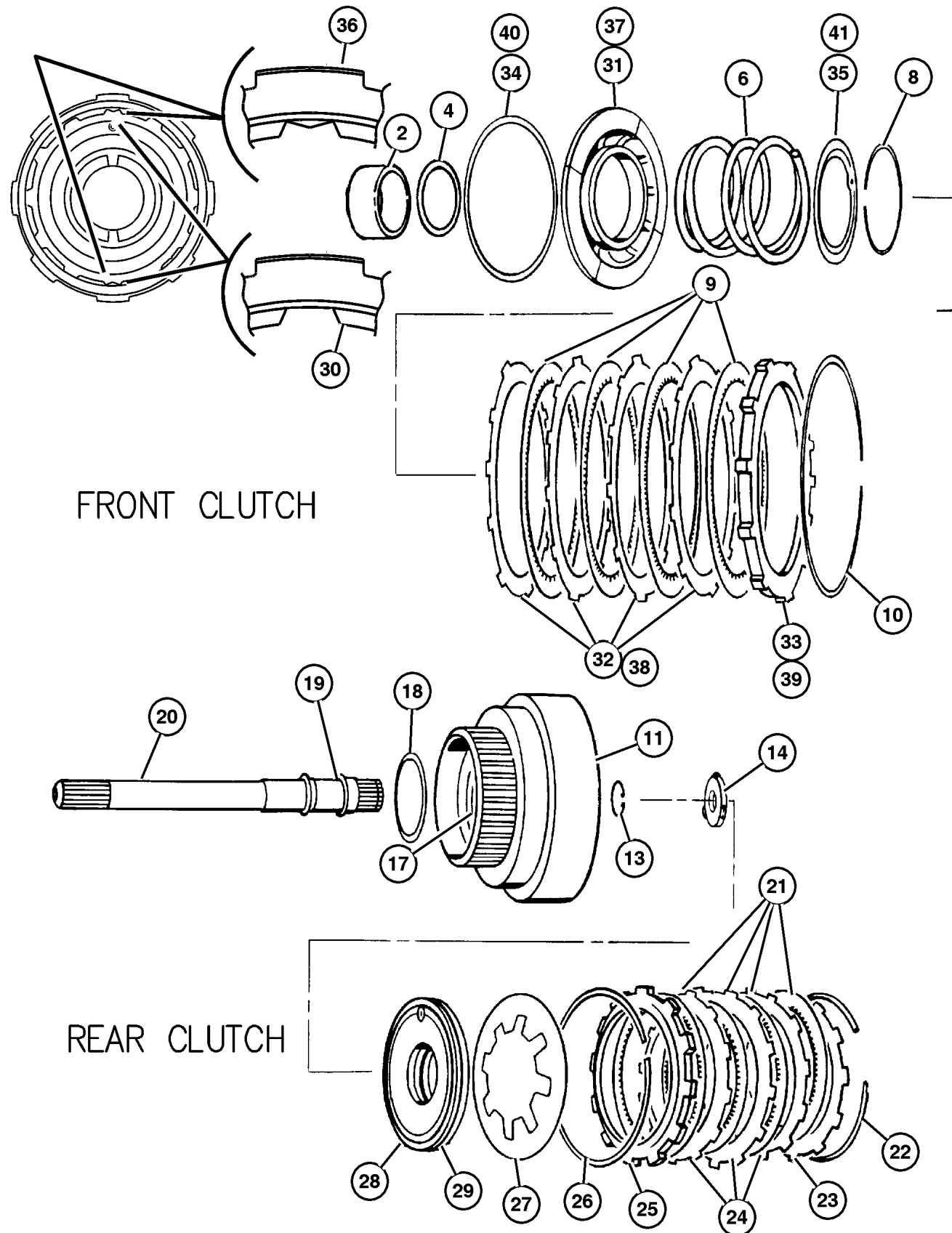
JEEP GRAND CHEROKEE (WJ)

SERIES	LINE	BODY	ENGINE	TRANSMISSION
H=Laredo	J = 4WD	74 = 4 Door(105.9 WB)	ER0, ERH = 4.0L, Power Tech I-6	DGK = 4 Speed Autm, 42RE
P=Limited	T = 2WD		EV0, EVA = 4.7L, Power Tech V8	DGW = 4 Speed Automatic, -44RE
	U = 4WD (RHD)		EXA, EX0 = 3.1L, 5 Cyl Turbo Diesel	DG4 = Multi Speed Automatic, -45RFE
				DGO = All Automatic

AR = Use as required - = Non illustrated part # = New this model year

April 3, 2002

**Gear Train 42RE (DGK)
Figure 42RE-410**



ITEM	PART NUMBER	QTY	LINE	SERIES	ENGINE	TRANS	DESCRIPTION
	4505 185	1	T			DGK	
-15		1	J, U			DGK	THRUST WASHER, Output Shaft, Red .068
	4505 186	1	T			DGK	
		1	J, U			DGK	
-16		1	T			DGK	THRUST WASHER, Output Shaft, Green .083
	4505 187	1	T			DGK	
		1	J, U			DGK	
17							SEAL, Rear Clutch Retainer
	4617 063	1	T			DGK	
		1	J, U			DGK	
18							THRUST WASHER, Front Clutch
	4617 786	1	T			DGK	
		1	J, U			DGK	
19							SEAL, Input Shaft
	1401 221AB	1	T			DGK	
		1	J, U			DGK	
20							INPUT SHAFT, Transmission
	4505 189	1	T			DGK	
		1	J, U			DGK	
21							DISC, Clutch
	4713 880	4	T			DGK	
		4	J, U			DGK	
22							SNAP RING
	4130 761	1	T			DGK	
		1	J, U			DGK	
23							PLATE, Transmission Clutch Reaction
	4617 176	1	T			DGK	
		1	J, U			DGK	
24							PLATE, Clutch Separator
	1942 403AB	3	T			DGK	
		3	J, U			DGK	
	1942 403AC	5	T			DGK	With Transmission Stamp # [52119836AA]
		5	J, U			DGK	With Transmission Stamp # [52119837AA]
25							PLATE, Clutch Pressure
	2466 281	1	T			DGK	
		1	J, U			DGK	
26							SPRING, Rear Clutch
	2466 283	1	T			DGK	
		1	J, U			DGK	
27							SPRING, Rear Clutch Piston
	4728 487	1	T			DGK	

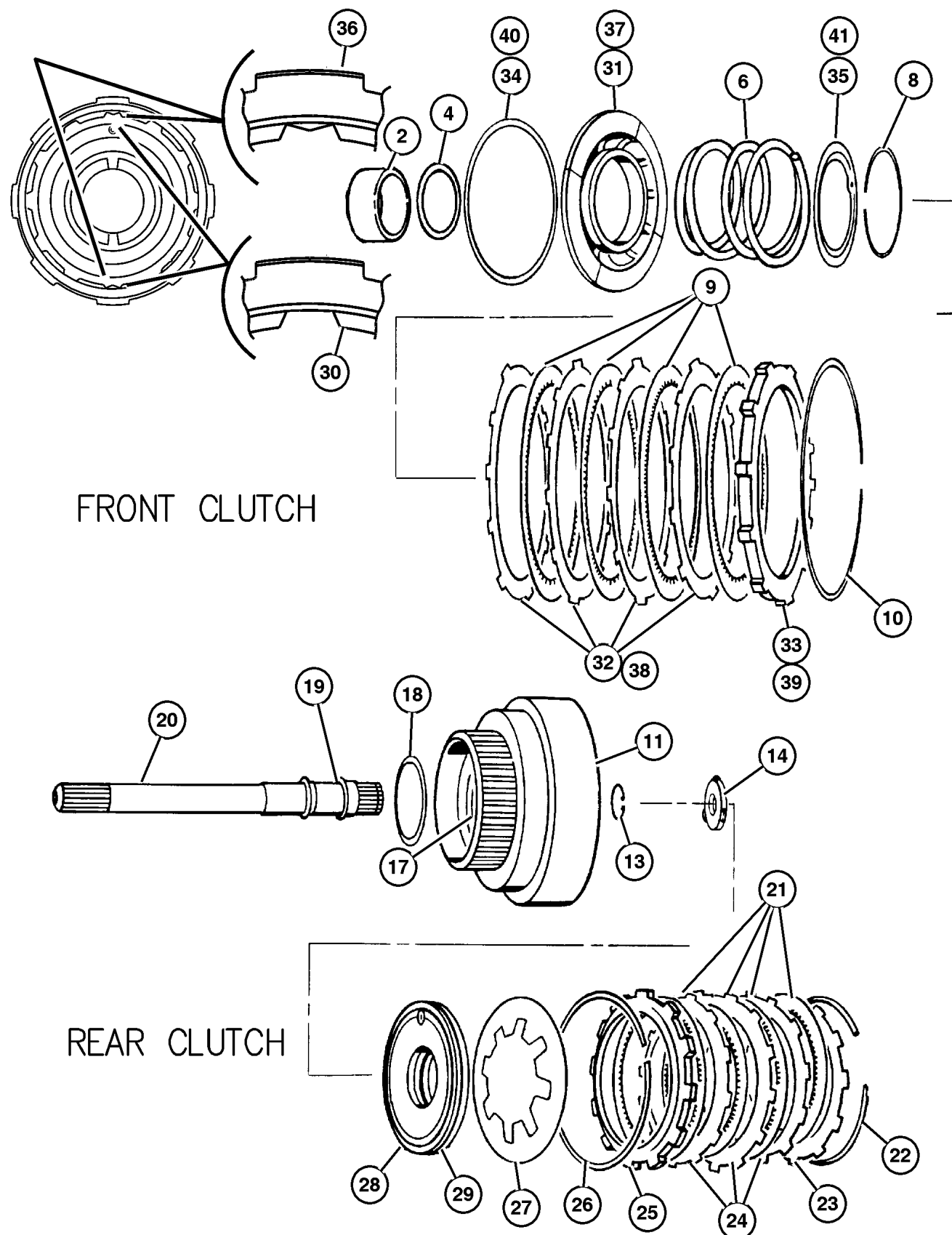
JEEP GRAND CHEROKEE (WJ)

SERIES	LINE	BODY	ENGINE	TRANSMISSION
H=Laredo	J = 4WD	74 = 4 Door(105.9 WB)	ER0, ERH = 4.0L, Power Tech I-6	DGK = 4 Speed Autm, 42RE
P=Limited	T = 2WD		EV0, EVA = 4.7L, Power Tech V8	DGW = 4 Speed Automatic, -44RE
	U = 4WD (RHD)		EXA, EX0 = 3.1L, 5 Cyl Turbo Diesel	DG4 = Multi Speed Automatic, -45RFE
				DGO = All Automatic

AR = Use as required - = Non illustrated part # = New this model year

April 3, 2002

**Gear Train 42RE (DGK)
Figure 42RE-410**



ITEM	PART NUMBER	QTY	LINE	SERIES	ENGINE	TRANS	DESCRIPTION
		1	J, U			DGK	
28	2538 695	1	T			DGK	SEAL, Rear Clutch Piston
		1	J, U			DGK	
29	3515 716	1	T			DGK	PISTON, Clutch
	4617 154AB	1	J, U			DGK	With Transmission Stamp # [52119837AA]
		1	J, U			DGK	With Transmission Stamp # [52119836AA]
		1	T			DGK	
30	4531 285	1	T			DGK	RETAINER AND BUSHING, Transmission Front Clutch, Up to 01-07-2000
		1	J, U			DGK	
31	4617 154	1	T			DGK	PISTON, Clutch
		1	J, U			DGK	
32	1942 403AC	4	T			DGK	PLATE, Clutch Separator
		4	J, U			DGK	
33	4617 176	1	T			DGK	PLATE, Transmission Clutch Reaction
		1	J, U			DGK	
34	4058 487	1	T			DGK	SEAL, Front Piston Clutch
		1	J, U			DGK	
35	4617 516AB	1	T			DGK	RETAINER, Transmission Front Clutch Piston Spring
		1	J, U			DGK	
36	#4531 285AB	1	T			DGK	RETAINER AND BUSHING, Transmission Front Clutch, From 01-07-2000
		1	J, U			DGK	
37	4617 154AB	1	T			DGK	PISTON, Clutch
		1	J, U			DGK	
38	1942 403AB	4	T			DGK	PLATE, Clutch Separator
		4	J, U			DGK	
39	4617 176AB	1	T			DGK	PLATE, Transmission Clutch Reaction
		1	J, U			DGK	
40							SEAL, Front Piston Clutch

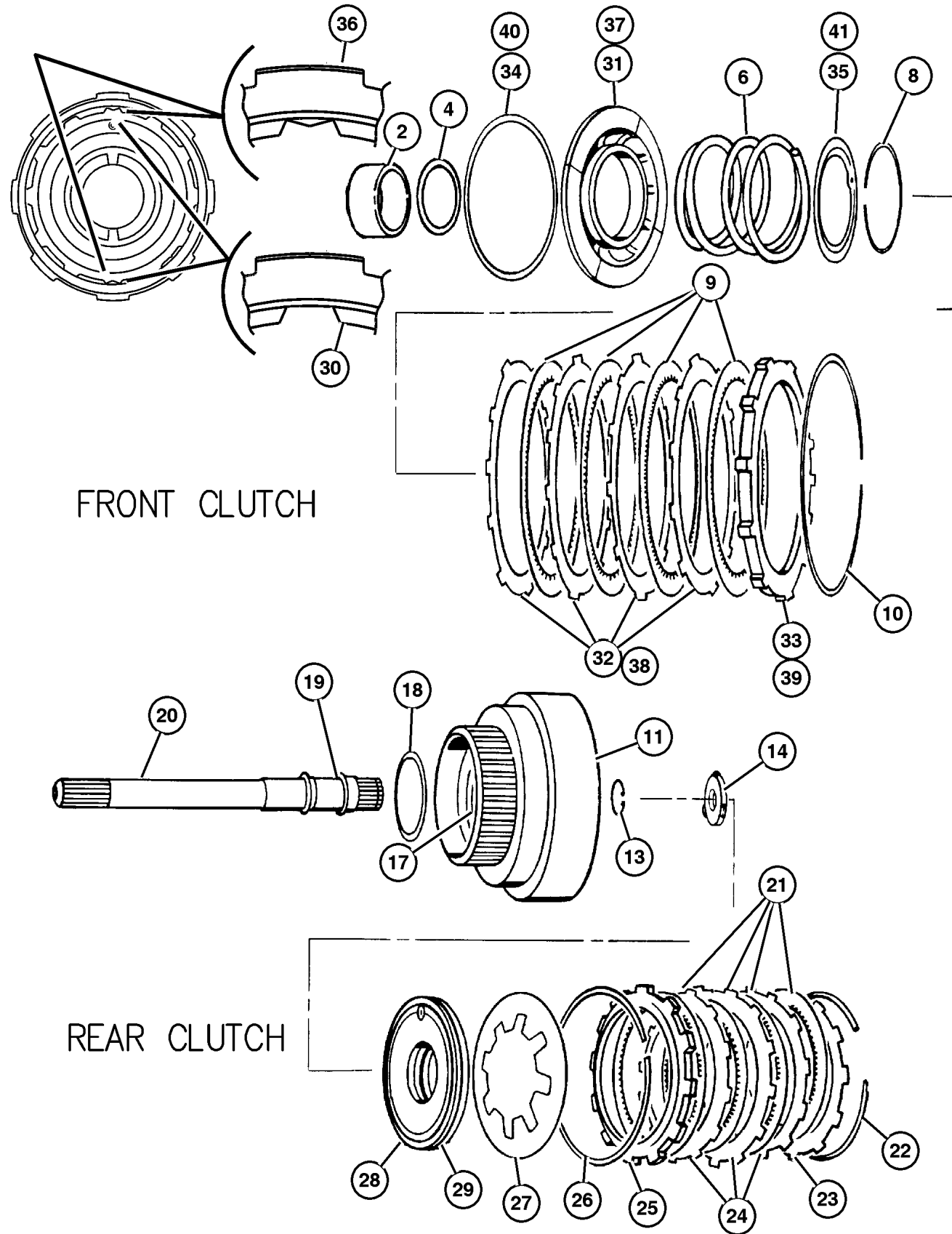
JEEP GRAND CHEROKEE (WJ)

SERIES	LINE	BODY	ENGINE	TRANSMISSION
H=Laredo	J = 4WD	74 = 4 Door(105.9 WB)	ER0, ERH = 4.0L, Power Tech I-6	DGK = 4 Speed Autm, 42RE
P=Limited	T = 2WD		EV0, EVA = 4.7L, Power Tech V8	DGW = 4 Speed Automatic, -44RE
	U = 4WD (RHD)		EXA, EX0 = 3.1L, 5 Cyl Turbo Diesel	DG4 = Multi Speed Automatic, -45RFE
				DGO = All Automatic

AR = Use as required - = Non illustrated part # = New this model year

April 3, 2002

Gear Train 42RE (DGK)
Figure 42RE-410



FRONT CLUTCH

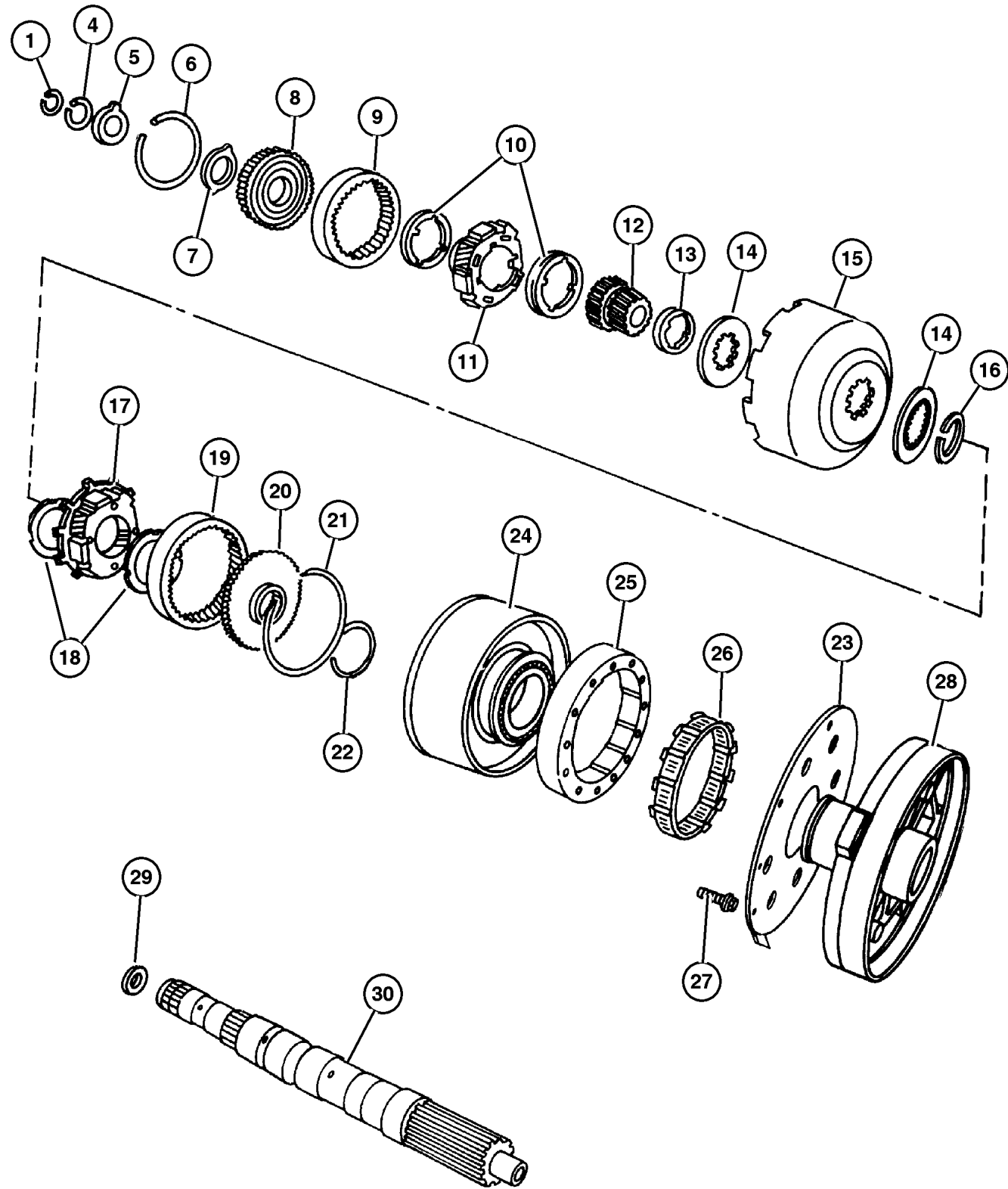
REAR CLUTCH

ITEM	PART NUMBER	QTY	LINE	SERIES	ENGINE	TRANS	DESCRIPTION
	4058 487AB	1	T			DGK	
		1	J, U			DGK	
41							RETAINER, Transmission Front Clutch Piston Spring
	4617 516AC	1	T			DGK	
		1	J, U			DGK	

JEEP GRAND CHEROKEE (WJ)				
SERIES	LINE	BODY	ENGINE	TRANSMISSION
H=Laredo	J = 4WD	74 = 4 Door(105.9 WB)	ER0, ERH = 4.0L, Power Tech I-6	DGK = 4 Speed Autm, 42RE
P=Limited	T = 2WD		EVO, EVA = 4.7L, Power Tech V8	DGW = 4 Speed Automatic, -44RE
	U = 4WD (RHD)		EXA, EX0 = 3.1L, 5 Cyl Turbo Diesel	DG4 = Multi Speed Automatic, -45RFE
				DGO = All Automatic

AR = Use as required - = Non illustrated part # = New this model year

**Gear Train and Intermediate Shaft 42RE [DGK]
Figure 42RE-420**



ITEM	PART NUMBER	QTY	LINE	SERIES	ENGINE	TRANS	DESCRIPTION
NOTES: Sales Codes und in the VIN number							
[DGK] = 42RE Automatic Transmission und in the VIN number							
[ER0] = All 4.0L 6 Cylinder Gas Engines und in the VIN number							
1	6026 289	1	T			DGK	SNAP RING, .946 ID
-2	6030 938	1	J, U			DGK	SNAP RING
		1	J, U			DGK	
-3	6030 404	1	T			DGK	SNAP RING, Output Shaft, 1.029 OD
		1	J, U			DGK	
4	6030 576	1	T			DGK	SNAP RING, Annulus Gear, 1.375 ID
		1	J, U			DGK	
5	3681 969	1	T			DGK	THRUST WASHER, Annulus Gear
		1	J, U			DGK	
6	6030 938	1	T			DGK	SNAP RING
		1	J, U			DGK	
7	4617 775	1	T			DGK	PLATE, Annulus Gear Thrust
		1	J, U			DGK	
8	4617 774	1	T			DGK	SUPPORT, Annulus Gear
		1	J, U			DGK	
9	4130 512	1	T			DGK	GEAR, Front Annulus
		1	J, U			DGK	
10	4130 518	2	T			DGK	THRUST WASHER, Planetary Carrier
		2	J, U			DGK	
11	4130 514	1	T			DGK	CARRIER, Planetary Pinion
		1	J, U			DGK	
12	4130 685	1	T			DGK	GEAR, Sun
		1	J, U			DGK	
13	4130 736	1	T			DGK	SPACER, Sun Gear
		1	J, U			DGK	
14							PLATE, Transmission Module

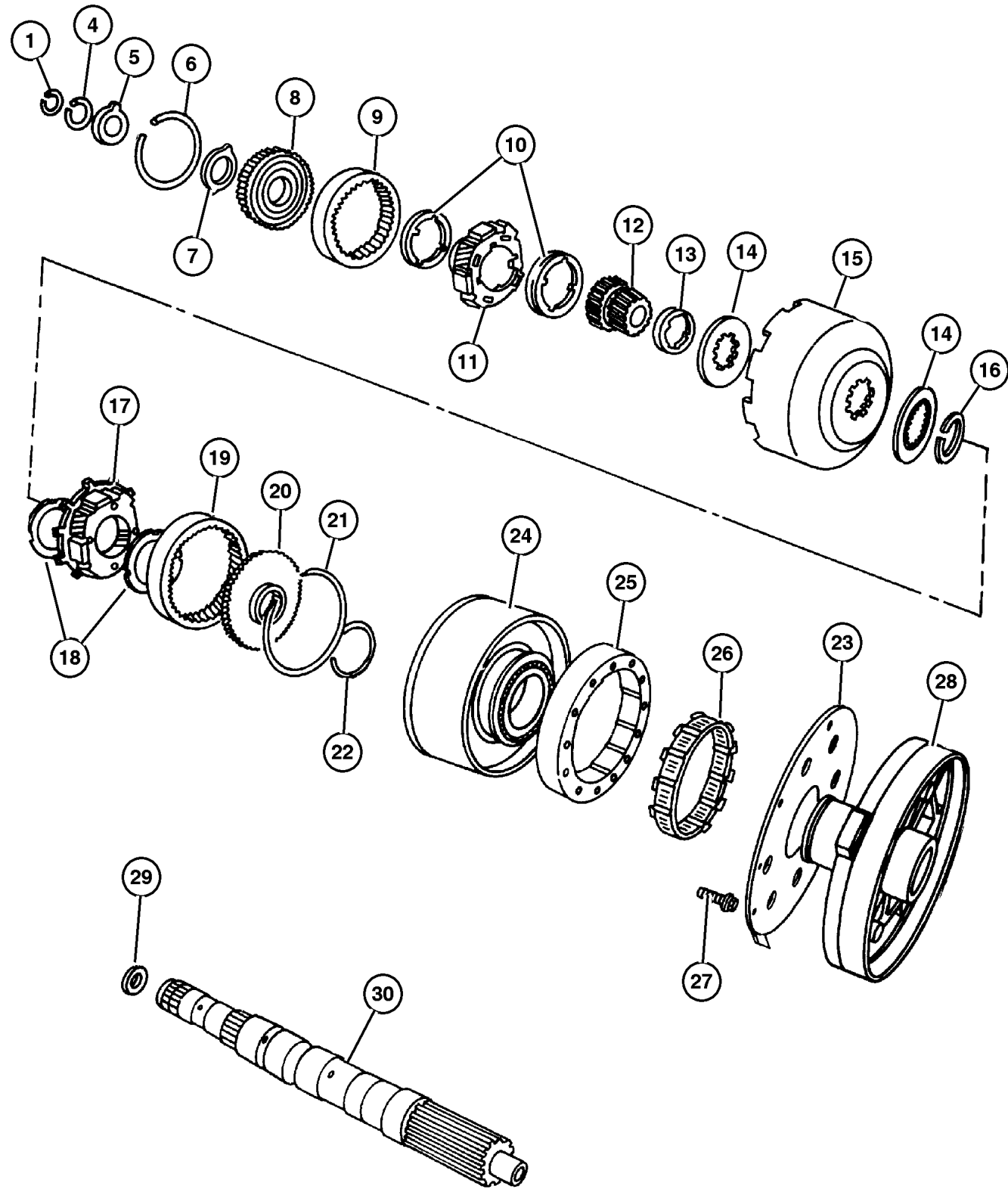
JEEP GRAND CHEROKEE (WJ)

SERIES	LINE	BODY	ENGINE	TRANSMISSION
H=Laredo	J = 4WD	74 = 4 Door(105.9 WB)	ER0, ERH = 4.0L, Power Tech I-6	DGK = 4 Speed Autm, 42RE
P=Limited	T = 2WD		EV0, EVA = 4.7L, Power Tech V8	DGW = 4 Speed Automatic, -44RE
	U = 4WD (RHD)		EXA, EX0 = 3.1L, 5 Cyl Turbo Diesel	DG4 = Multi Speed Automatic, -45RFE
				DGO = All Automatic

AR = Use as required - = Non illustrated part # = New this model year

April 3, 2002

**Gear Train and Intermediate Shaft 42RE [DGK]
Figure 42RE-420**



ITEM	PART NUMBER	QTY	LINE	SERIES	ENGINE	TRANS	DESCRIPTION
	4471 566	2	T			DGK	
		2	J, U			DGK	
15	4531 288	1	T			DGK	SHELL, Sun Gear
		1	J, U			DGK	
16	1942 439	1	T			DGK	SNAP RING, Sun Gear Shell
		1	J, U			DGK	
17	4431 438	1	T			DGK	CARRIER, Planetary Pinion
		1	J, U			DGK	
18	3681 935	1	T			DGK	THRUST WASHER, Planetary Carrier
		1	J, U			DGK	
19	3743 184	1	T			DGK	GEAR, Rear Annulus
		1	J, U			DGK	
20	3515 501	1	T			DGK	SUPPORT, Annulus Gear
		1	J, U			DGK	
21							SNAP RING
	1942 444	1	T			DGK	
		1	J, U			DGK	
22	6033 480	1	T			DGK	SNAP RING, Reverse Drum
		1	J, U			DGK	
23	4471 564	1	T			DGK	GASKET, Overdrive Piston Retainer
		1	J, U			DGK	
24	4637 956	1	T			DGK	DRUM PACKAGE, Transmission
		1	J, U			DGK	
25	4431 690	1	T			DGK	CAM, Overrunning Clutch
		1	J, U			DGK	
26	4431 432	1	T			DGK	CLUTCH, Overrunning
		1	J, U			DGK	
27	6033 616	5	T			DGK	SCREW, Hex Flange Head, .25-28x.875
		5	J, U			DGK	
28							RETAINER, Transmission Overdrive Clutch Piston

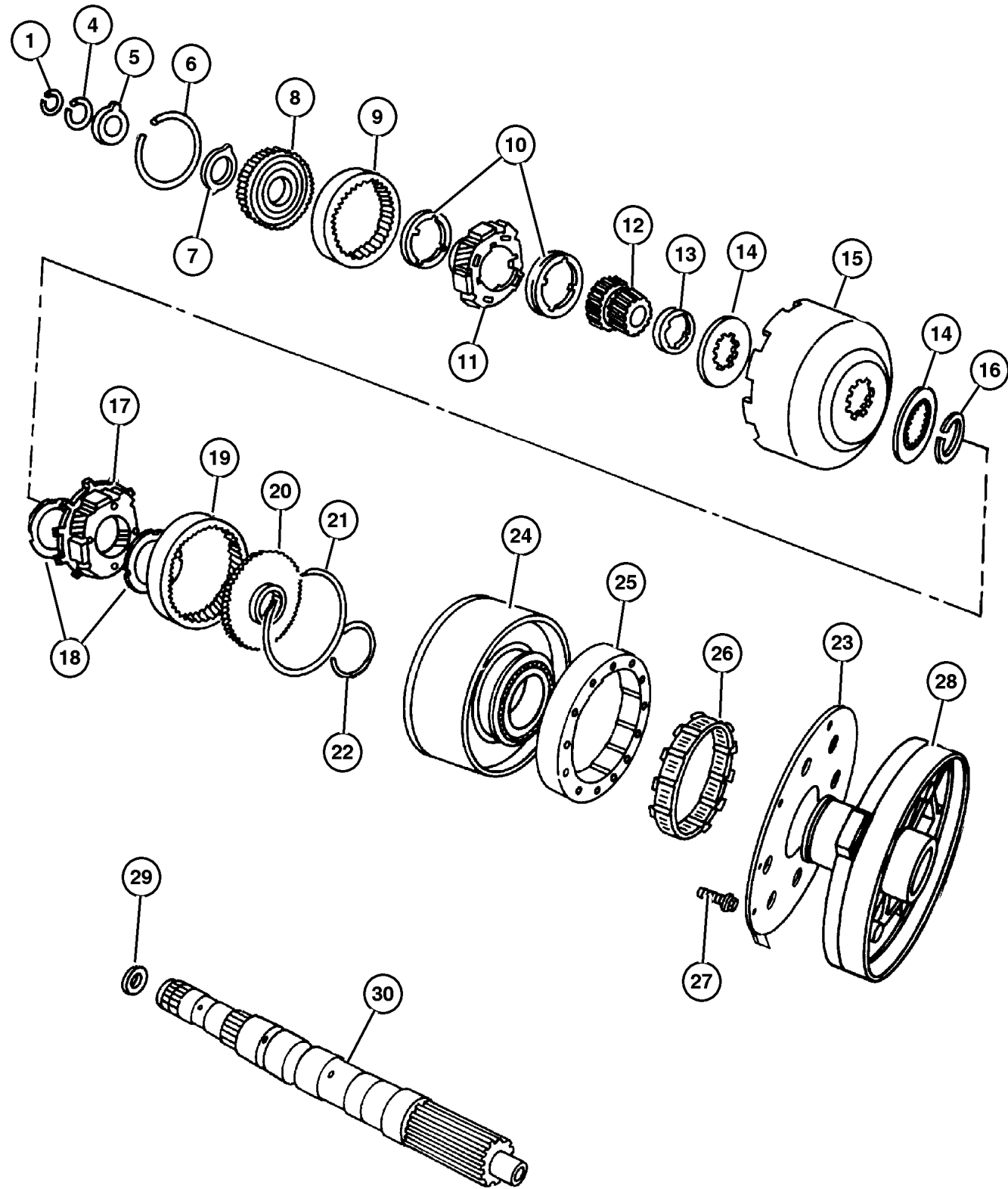
JEEP GRAND CHEROKEE (WJ)

SERIES	LINE	BODY	ENGINE	TRANSMISSION
H=Laredo	J = 4WD	74 = 4 Door(105.9 WB)	ER0, ERH = 4.0L, Power Tech I-6	DGK = 4 Speed Autm, 42RE
P=Limited	T = 2WD		EV0, EVA = 4.7L, Power Tech V8	DGW = 4 Speed Automatic, -44RE
	U = 4WD (RHD)		EXA, EX0 = 3.1L, 5 Cyl Turbo Diesel	DG4 = Multi Speed Automatic, -45RFE
				DGO = All Automatic

AR = Use as required - = Non illustrated part # = New this model year

April 3, 2002

**Gear Train and Intermediate Shaft 42RE [DGK]
Figure 42RE-420**



ITEM	PART NUMBER	QTY	LINE	SERIES	ENGINE	TRANS	DESCRIPTION
	4617 246	1	T			DGK	
		1	J, U			DGK	
29	4471 566	2	T			DGK	PLATE, Transmission Module
		2	J, U			DGK	
30	4617 604	1	T			DGK	INTERMEDIATE SHAFT, Transmission
		1	J, U			DGK	

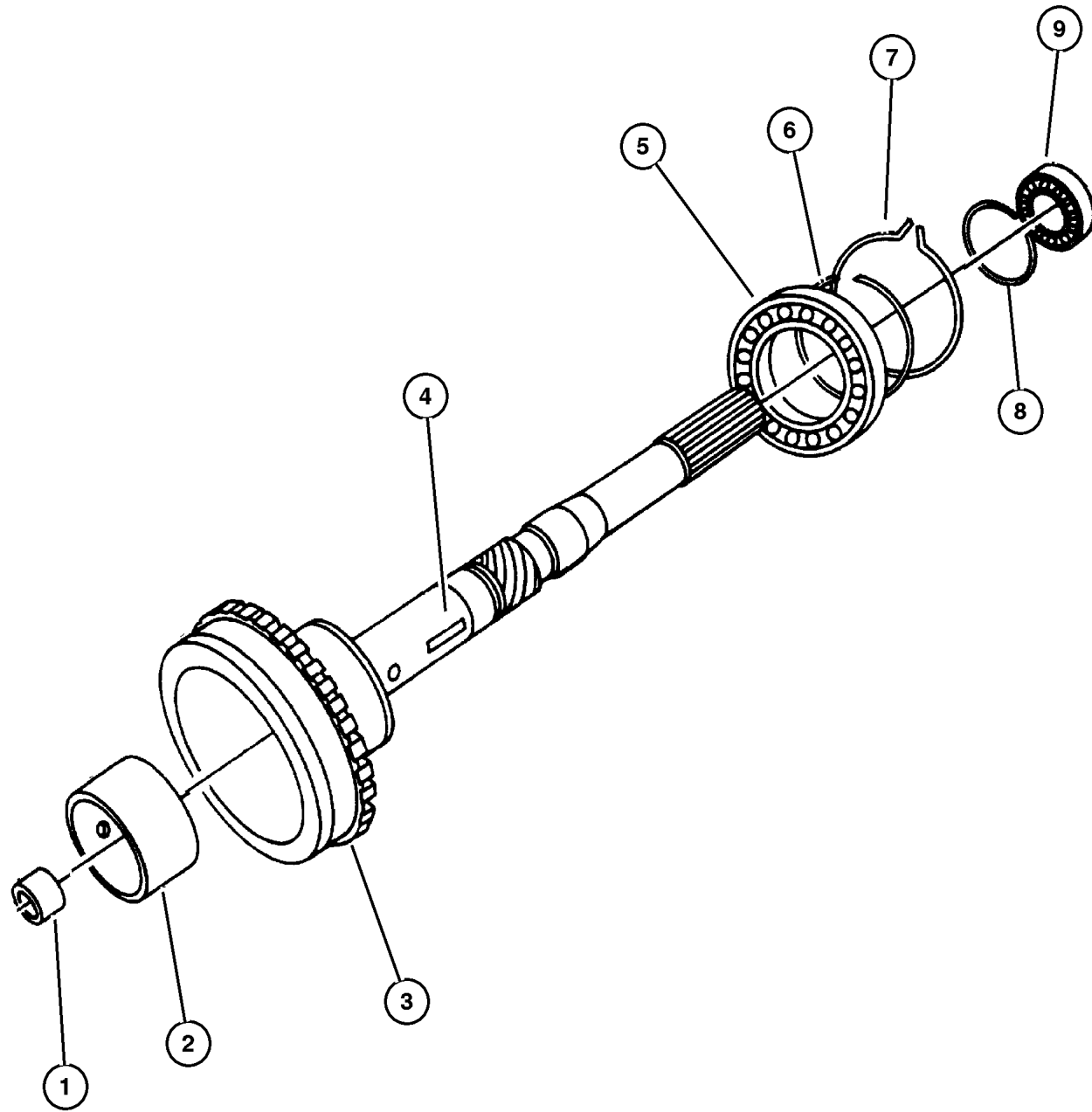
JEEP GRAND CHEROKEE (WJ)				
SERIES	LINE	BODY	ENGINE	TRANSMISSION
H=Laredo	J = 4WD	74 = 4 Door(105.9 WB)	ER0, ERH = 4.0L, Power Tech I-6	DGK = 4 Speed Autm, 42RE
P=Limited	T = 2WD		EV0, EVA = 4.7L, Power Tech V8	DGW = 4 Speed Automatic, -44RE
	U = 4WD (RHD)		EXA, EX0 = 3.1L, 5 Cyl Turbo Diesel	DG4 = Multi Speed Automatic, -45RFE
				DGO = All Automatic

AR = Use as required - = Non illustrated part # = New this model year

April 3, 2002

**Output Shaft [DGK]
Figure 42RE-430**

ITEM	PART NUMBER	QTY	LINE	SERIES	ENGINE	TRANS	DESCRIPTION
NOTES: Sales Codes und in the VIN number							
[DGK] = 42RE 4 Speed Automatic Transmission und in the VIN number							
[ER0] = All 4.0L 6 Cylinder Gas Engines und in the VIN number							
1							BUSHING, (NOT SERVICED)
2							BUSHING, (NOT SERVICED)
3							SHAFT, Output
	4798 536	1	J, U			DGK	
	5003 232AA	1	T			DGK	
4							KEY, Shaft, (NOT SERVICED)
5							BEARING, Output Shaft
	4461 008	1	J, U			DGK	
		1	T			DGK	
6							SNAP RING, .946 ID
	6026 289	1	T			DGK	
		1	J, U			DGK	
7							SNAP RING, Output Shaft, 1.029 OD
	6030 404	1	T			DGK	
		1	J, U			DGK	
8							SNAP RING
	6030 938	1	T			DGK	
		1	J, U			DGK	
9							BEARING, Output Shaft
	4461 008	1	J, U			DGK	
		1	T			DGK	



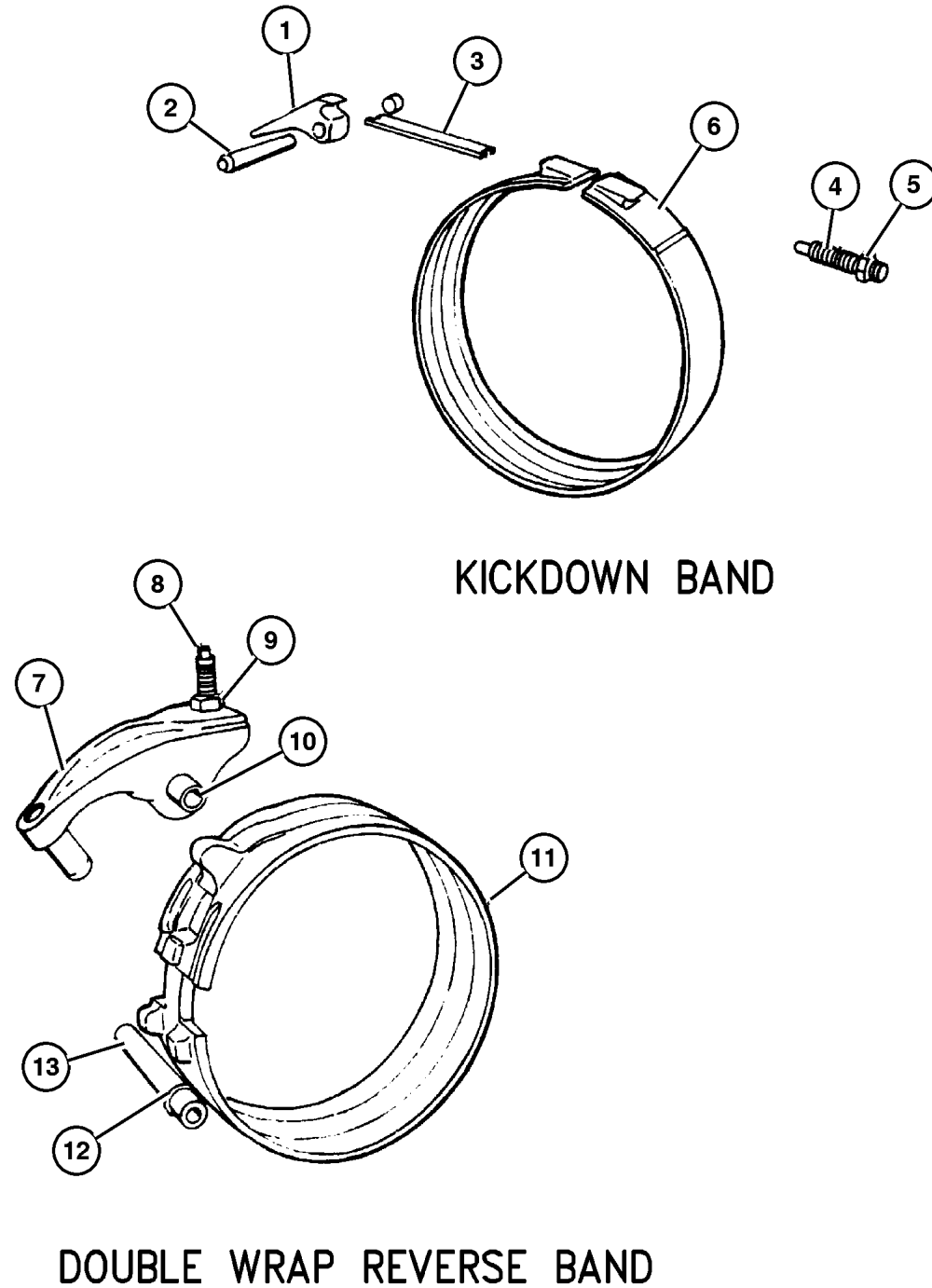
JEEP GRAND CHEROKEE (WJ)

SERIES	LINE	BODY	ENGINE	TRANSMISSION
H=Laredo	J = 4WD	74 = 4 Door(105.9 WB)	ER0, ERH = 4.0L, Power Tech I-6	DGK = 4 Speed Autm, 42RE
P=Limited	T = 2WD		EV0, EVA = 4.7L, Power Tech V8	DGW = 4 Speed Automatic, -44RE
	U = 4WD (RHD)		EXA, EX0 = 3.1L, 5 Cyl Turbo Diesel	DG4 = Multi Speed Automatic, -45RFE
				DGO = All Automatic

AR = Use as required - = Non illustrated part # = New this model year

April 3, 2002

**Bands 42RE [DGK]
Figure 42RE-510**



ITEM	PART NUMBER	QTY	LINE	SERIES	ENGINE	TRANS	DESCRIPTION
NOTES: Sales Codes und in the VIN number							
[DGK] = 42RE 4 Speed Automatic Transmission und in the VIN number							
[ER0] = All 4.0L 6 Cylinder Gas Engines und in the VIN number							
1	5211 8264	1	T			DGK	LEVER, Kickdown
2	4531 181	1	J, U			DGK	SHAFT, Band Lever
		1	J, U			DGK	
3	3515 084	1	T			DGK	STRUT, Kickdown Band
		1	J, U			DGK	
4	6036 141AA	1	T			DGK	SCREW
		1	J, U			DGK	
5	0124 934	1	T			DGK	NUT, Hex Jam, .50-20
		1	J, U			DGK	
6	4617 849	1	T			DGK	BAND, Kickdown
		1	J, U			DGK	
7	4202 764AB	1	T			DGK	LEVER, Reverse Band
		1	J, U			DGK	
8	2538 472	1	T			DGK	SCREW, Trans Reverse Band Adjusting, .375-24-1.88
		1	J, U			DGK	
9	0114 942	1	T			DGK	NUT, Hex, .375-24
		1	J, U			DGK	
10	3410 102	1	T			DGK	SHAFT, Reverse Band
		1	J, U			DGK	
11	4431 406	1	T			DGK	BAND, Reverse
		1	J, U			DGK	
12	6030 657	1	T			DGK	O RING, Steering Gear
		1	J, U			DGK	
13	3410 102	1	T			DGK	SHAFT, Reverse Band

JEEP GRAND CHEROKEE (WJ)

SERIES	LINE	BODY	ENGINE	TRANSMISSION
H=Laredo	J = 4WD	74 = 4 Door(105.9 WB)	ER0, ERH = 4.0L, Power Tech I-6	DGK = 4 Speed Autm, 42RE
P=Limited	T = 2WD		EV0, EVA = 4.7L, Power Tech V8	DGW = 4 Speed Automatic, -44RE
	U = 4WD (RHD)		EXA, EX0 = 3.1L, 5 Cyl Turbo Diesel	DG4 = Multi Speed Automatic, -45RFE
				DGO = All Automatic

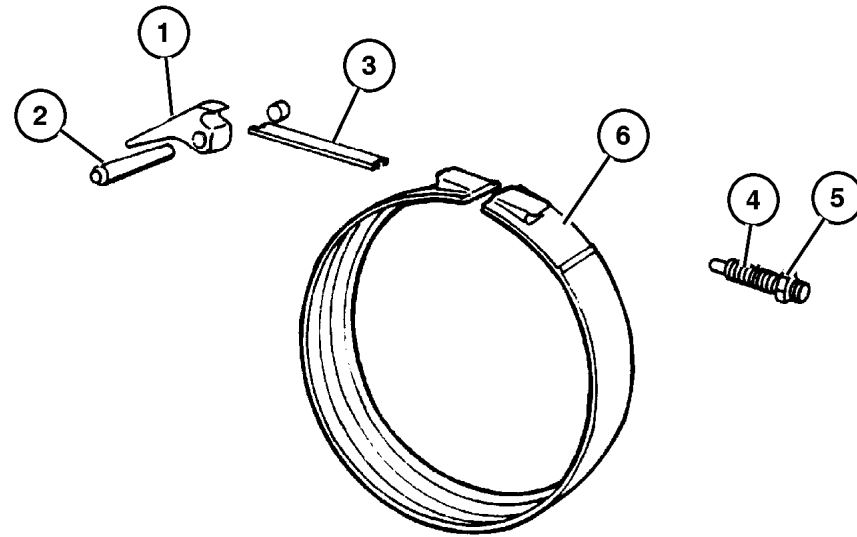
AR = Use as required - = Non illustrated part # = New this model year

April 3, 2002

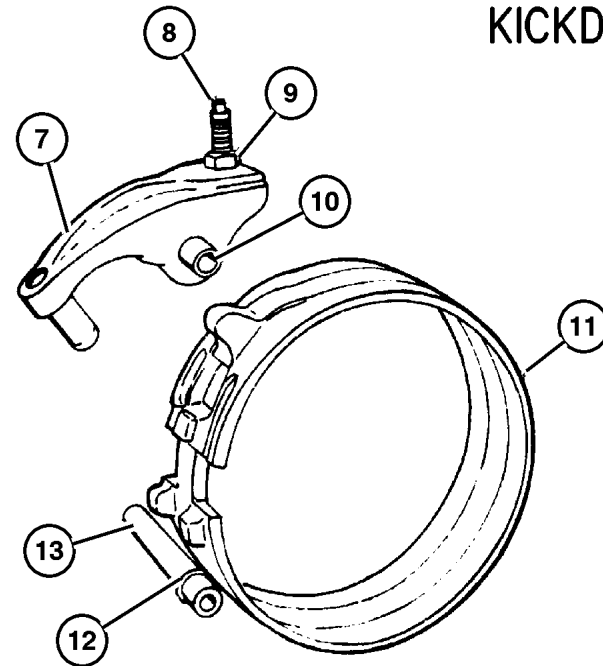
**Bands 42RE [DGK]
Figure 42RE-510**

ITEM	PART NUMBER	QTY	LINE	SERIES	ENGINE	TRANS	DESCRIPTION
------	-------------	-----	------	--------	--------	-------	-------------

1 J, U DGK



KICKDOWN BAND



DOUBLE WRAP REVERSE BAND

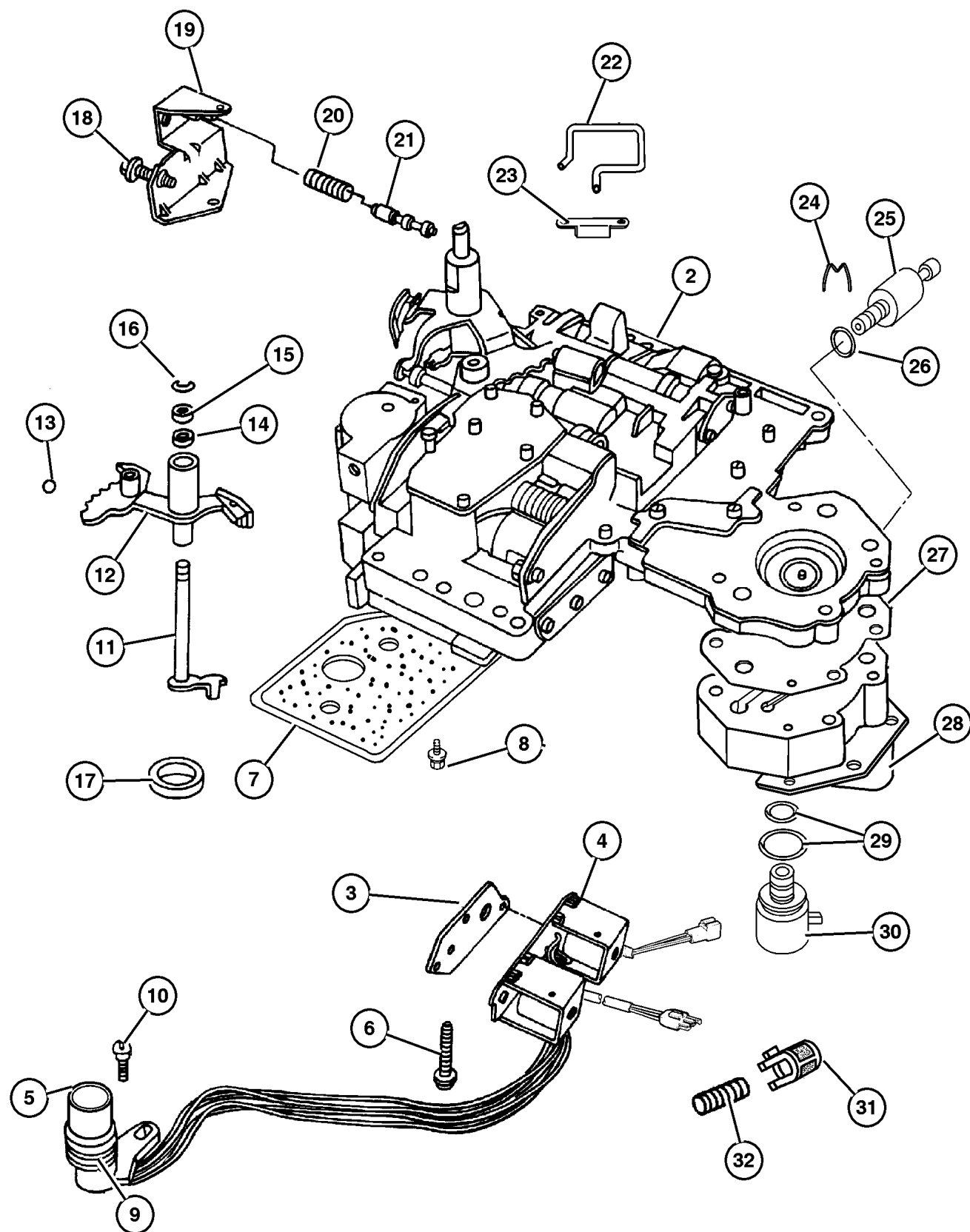
JEEP GRAND CHEROKEE (WJ)

SERIES	LINE	BODY	ENGINE	TRANSMISSION
H=Laredo	J = 4WD	74 = 4 Door(105.9 WB)	ER0, ERH = 4.0L, Power Tech I-6	DGK = 4 Speed Autm, 42RE
P=Limited	T = 2WD		EVO, EVA = 4.7L, Power Tech V8	DGW = 4 Speed Automatic, -44RE
	U = 4WD (RHD)		EXA, EX0 = 3.1L, 5 Cyl Turbo Diesel	DG4 = Multi Speed Automatic, -45RFE
				DGO = All Automatic

AR = Use as required - = Non illustrated part # = New this model year

April 3, 2002

Valve Body 42RE [DGK]
Figure 42RE-710



ITEM	PART NUMBER	QTY	LINE	SERIES	ENGINE	TRANS	DESCRIPTION
NOTES: Sales Codes und in the VIN number							
[DGK] = 42RE 4 Speed Automatic Transmission und in the VIN number							
[ER0] = All 4.0L 6 Cylinder Gas Engines und in the VIN number							
-1							SEAL AND GASKET PACKAGE, Valve Body and Servo
	4863 933AB	1	T			DGK	
		1	J, U			DGK	
2	#52119 633AB	1	T			DGK	BODY, Transfer Plate
		1	J, U			DGK	
3	4617 216	1	T			DGK	GASKET, Transmission Solenoid
		1	J, U			DGK	
4							SOLENOID, Transmission Overdrive
	#52118 500AB	1	T			DGK	
		1	J, U			DGK	
5							TRANSDUCER, Pressure Sensor
	#56028 196AA	AR	J, U			DGK	
		AR	T			DGK	
6							BOLT, Valve Body, .25-20x1.75
	0181 071	3	T			DGK	
		3	J, U			DGK	
7							FILTER, Valve Body
	5211 8789	1	T			DGK	
		1	J, U			DGK	
8							SCREW AND WASHER, Oil Filter Mounting, Fillester Head .190-24x2.500
	6033 826	3	T			DGK	
		3	J, U			DGK	
9							O RING, Solenoid Wiring, Transmission
	6034 748	2	T			DGK	
		2	J, U			DGK	
10							SCREW, Tapping, .19-24x.75
	6033 985	1	T			DGK	
		1	J, U			DGK	
11							LEVER, Throttle Valve
	3681 227	1	T			DGK	
		1	J, U			DGK	
12							LEVER, Manual Valve
	4617 439	1	T			DGK	
		1	J, U			DGK	
13							BALL, Manual Lever Detent, .343 Diameter

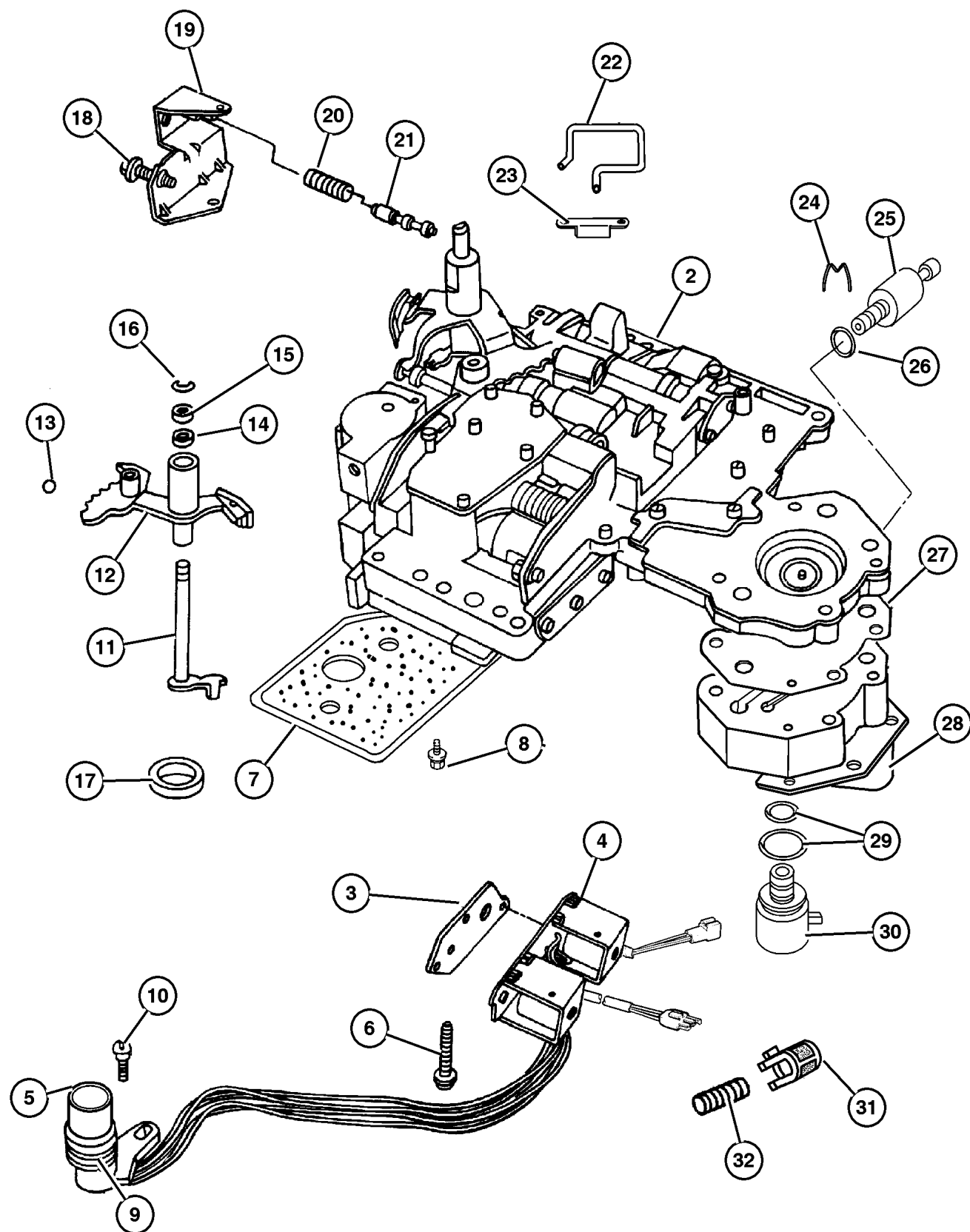
JEEP GRAND CHEROKEE (WJ)

SERIES	LINE	BODY	ENGINE	TRANSMISSION
H=Laredo	J = 4WD	74 = 4 Door(105.9 WB)	ER0, ERH = 4.0L, Power Tech I-6	DGK = 4 Speed Autm, 42RE
P=Limited	T = 2WD		EVO, EVA = 4.7L, Power Tech V8	DGW = 4 Speed Automatic, -44RE
	U = 4WD (RHD)		EXA, EX0 = 3.1L, 5 Cyl Turbo Diesel	DG4 = Multi Speed Automatic, -45RFE
				DGO = All Automatic

AR = Use as required - = Non illustrated part # = New this model year

April 3, 2002

Valve Body 42RE [DGK]
Figure 42RE-710



ITEM	PART NUMBER	QTY	LINE	SERIES	ENGINE	TRANS	DESCRIPTION
	0147 488	1	T			DGK	
		1	J, U			DGK	
14	2466 548	1	T			DGK	SEAL, Valve Lever Shift
		1	J, U			DGK	
15	2538 062	1	T			DGK	WASHER, Manual Valve Lever
		1	J, U			DGK	
16	6035 208	2	T			DGK	SNAP RING
		2	J, U			DGK	
17	4505 098	1	T			DGK	SEAL, Manual Shift Valve, 1.25 OD
		1	J, U			DGK	
18	6030 609	1	T			DGK	SCREW, Cap Head Lock, .312-24x1.25
		1	J, U			DGK	
19	4617 010	1	T			DGK	BRACKET, Valve Body Switch
		1	J, U			DGK	
20	4130 492	1	T			DGK	SPRING, Switch Valve
		1	J, U			DGK	
21	4505 036	1	T			DGK	VALVE, Trans Lockup Switch
		1	J, U			DGK	
22	4617 008	1	T			DGK	TUBE, Boost Valve
		1	J, U			DGK	
23	5211 7958	1	T			DGK	RETAINER, Boost Valve Oil Supply Tube
		1	J, U			DGK	
24	4617 219	1	T			DGK	CLIP, Transmission Governor Transducer
		1	J, U			DGK	
25	#56028 196AA	AR	J, U			DGK	TRANSDUCER, Pressure Sensor
		AR	T			DGK	
26	6034 493	1	T			DGK	O RING, Pressure Switch
		1	J, U			DGK	
27							GASKET, Transmission Solenoid

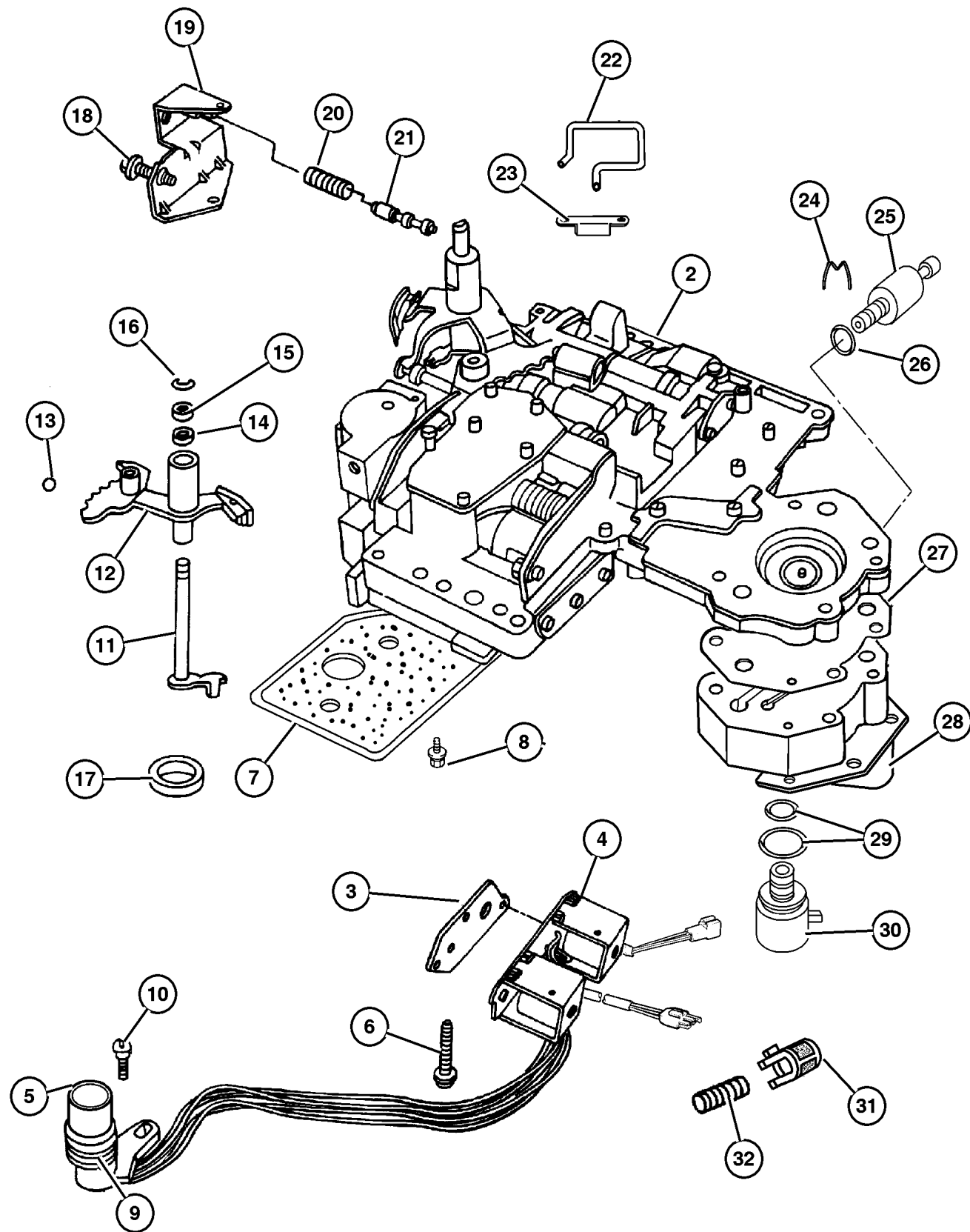
JEEP GRAND CHEROKEE (WJ)

SERIES	LINE	BODY	ENGINE	TRANSMISSION
H=Laredo	J = 4WD	74 = 4 Door(105.9 WB)	ER0, ERH = 4.0L, Power Tech I-6	DGK = 4 Speed Autm, 42RE
P=Limited	T = 2WD		EV0, EVA = 4.7L, Power Tech V8	DGW = 4 Speed Automatic, -44RE
	U = 4WD (RHD)		EXA, EX0 = 3.1L, 5 Cyl Turbo Diesel	DG4 = Multi Speed Automatic, -45RFE
				DGO = All Automatic

AR = Use as required - = Non illustrated part # = New this model year

April 3, 2002

Valve Body 42RE [DGK]
Figure 42RE-710



ITEM	PART NUMBER	QTY	LINE	SERIES	ENGINE	TRANS	DESCRIPTION
	4617 216	1	T			DGK	
		1	J, U			DGK	
28	#4617 211AB	1	T			DGK	RETAINER, Transmission Governor Solenoid
		1	J, U			DGK	
29	4723 549	1	T			DGK	O RING PACKAGE, Valve Body, Transmission
		1	J, U			DGK	
30							SOLENOID, Transmission Governor
	4617 210	1	T			DGK	
		1	J, U			DGK	
31							SCREEN, Transmission Regulator Valve
	3878 313	1	T			DGK	
		1	J, U			DGK	
32							SPRING, Limit Valve
	4348 907	1	T			DGK	
		1	J, U			DGK	

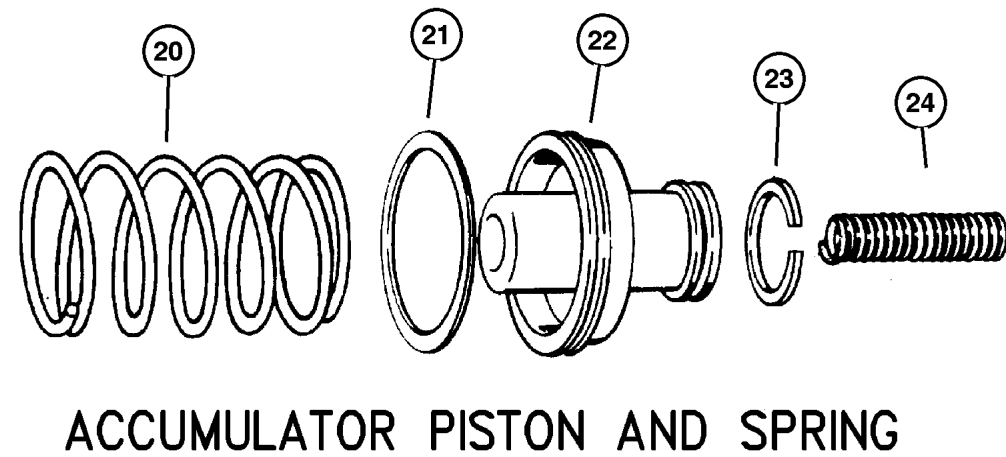
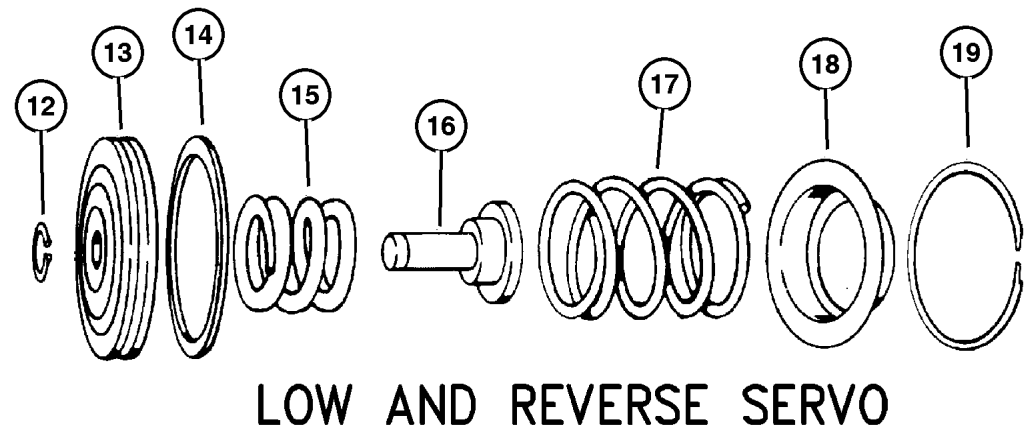
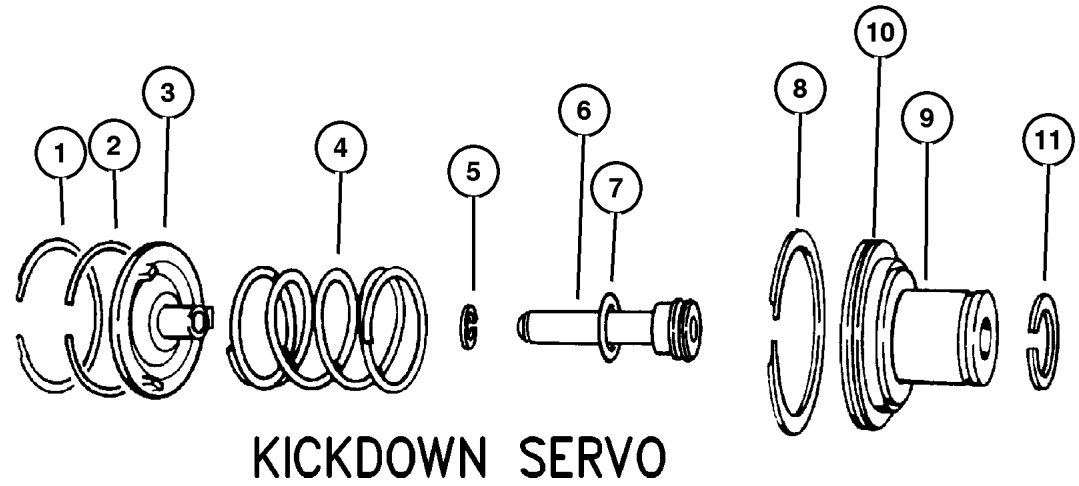
JEEP GRAND CHEROKEE (WJ)

SERIES	LINE	BODY	ENGINE	TRANSMISSION
H=Laredo	J = 4WD	74 = 4 Door(105.9 WB)	ER0, ERH = 4.0L, Power Tech I-6	DGK = 4 Speed Autm, 42RE
P=Limited	T = 2WD		EVO, EVA = 4.7L, Power Tech V8	DGW = 4 Speed Automatic, -44RE
	U = 4WD (RHD)		EXA, EX0 = 3.1L, 5 Cyl Turbo Diesel	DG4 = Multi Speed Automatic, -45RFE
				DGO = All Automatic

AR = Use as required - = Non illustrated part # = New this model year

April 3, 2002

Servos 42RE [DGK]
Figure 42RE-720



ITEM	PART NUMBER	QTY	LINE	SERIES	ENGINE	TRANS	DESCRIPTION
NOTES: Sales Codes und in the VIN number							
[DGK] = 42RE 4 Speed Automatic Transmission und in the VIN number							
[ER0] = All 4.0L 6 Cylinder Gas Engines und in the VIN number							
1	6028 863	1	T			DGK	SNAP RING, Kickdown, 2.377
2	4295 966	1	J, U			DGK	SEAL, Servo Guide
		1	J, U			DGK	
3	3410 332	1	T			DGK	GUIDE, Kickdown Servo
		1	J, U			DGK	
4	4058 885	1	T			DGK	SPRING, Kickdown Servo Piston
		1	J, U			DGK	
5	6031 392	1	T			DGK	SNAP RING, Brake Master Cylinder
		1	J, U			DGK	
6	4058 780	1	T			DGK	ROD, Kickdown Servo Piston
		1	J, U			DGK	
7	6028 864	1	T			DGK	O RING, Kick Down Servo
		1	J, U			DGK	
8	4295 966	1	T			DGK	SEAL, Servo Guide
		1	J, U			DGK	
9	4058 777	1	T			DGK	PISTON, Kickdown Servo
		1	J, U			DGK	
10	6028 864	1	T			DGK	O RING, Kick Down Servo
		1	J, U			DGK	
11	3743 033	1	T			DGK	SEAL, Kickdown Servo
		1	J, U			DGK	
12	6027 153	1	T			DGK	SNAP RING, .435 ID
		1	J, U			DGK	
13	5211 8744	1	T			DGK	PISTON, Reverse Servo
		1	J, U			DGK	

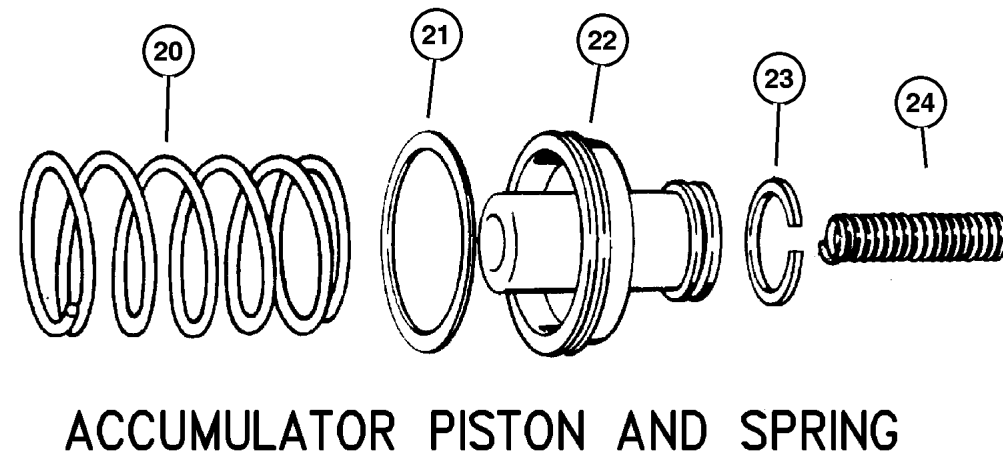
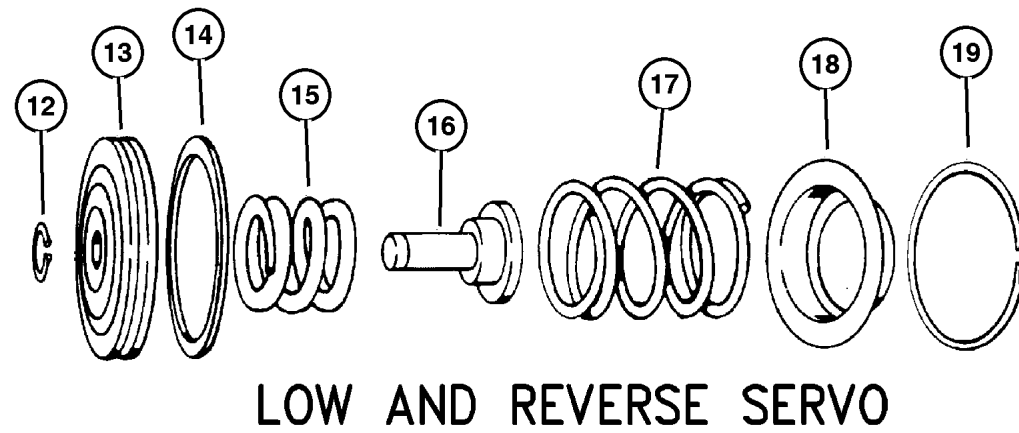
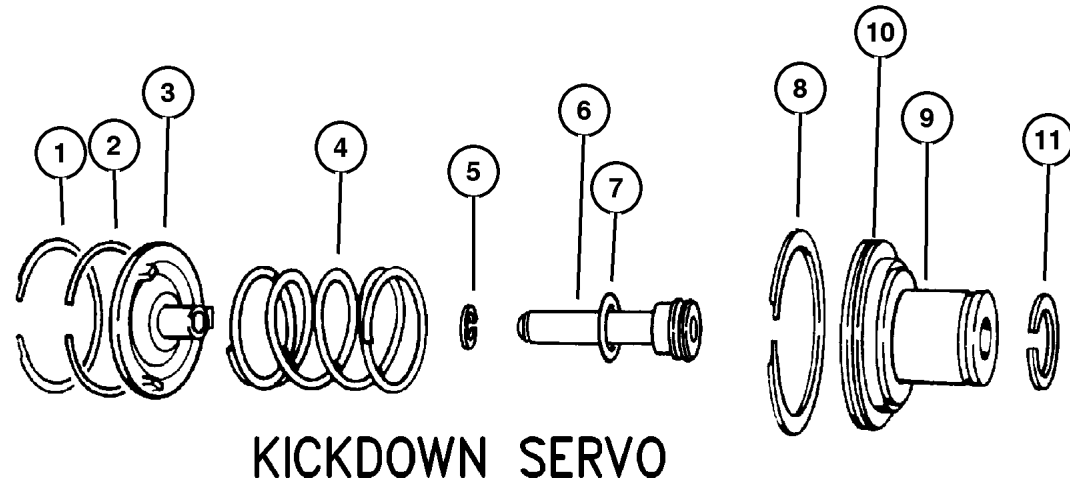
JEEP GRAND CHEROKEE (WJ)

SERIES	LINE	BODY	ENGINE	TRANSMISSION
H=Laredo	J = 4WD	74 = 4 Door(105.9 WB)	ER0, ERH = 4.0L, Power Tech I-6	DGK = 4 Speed Autm, 42RE
P=Limited	T = 2WD		EV0, EVA = 4.7L, Power Tech V8	DGW = 4 Speed Automatic, -44RE
	U = 4WD (RHD)		EXA, EX0 = 3.1L, 5 Cyl Turbo Diesel	DG4 = Multi Speed Automatic, -45RFE
				DGO = All Automatic

AR = Use as required - = Non illustrated part # = New this model year

April 3, 2002

Servos 42RE [DGK]
Figure 42RE-720



ITEM	PART NUMBER	QTY	LINE	SERIES	ENGINE	TRANS	DESCRIPTION
14	4202 864	1	T			DGK	SEAL, Reverse Servo Piston
15	4130 824	1	T			DGK	SPRING, Reverse Servo Piston
16		1	J, U			DGK	PLUG, Reverse Servo Piston
17	52118 740AB	1	T			DGK	SPRING, Reverse Servo Piston
18	2801 274	1	T			DGK	RETAINER, Transmission Rear Clutch
19	2464 463	1	J, U			DGK	SNAP RING
20	2464 464	1	T			DGK	SPRING, Transmission Accumulator
21	4531 259	1	J, U			DGK	SEAL, Piston Accumulator
22	3743 010	1	T			DGK	PISTON, Accumulator
23	3743 650	1	J, U			DGK	SEAL, Piston Accumulator
24	3743 010	1	T			DGK	SPRING, Accumulator Piston
	4617 529	1	J, U			DGK	

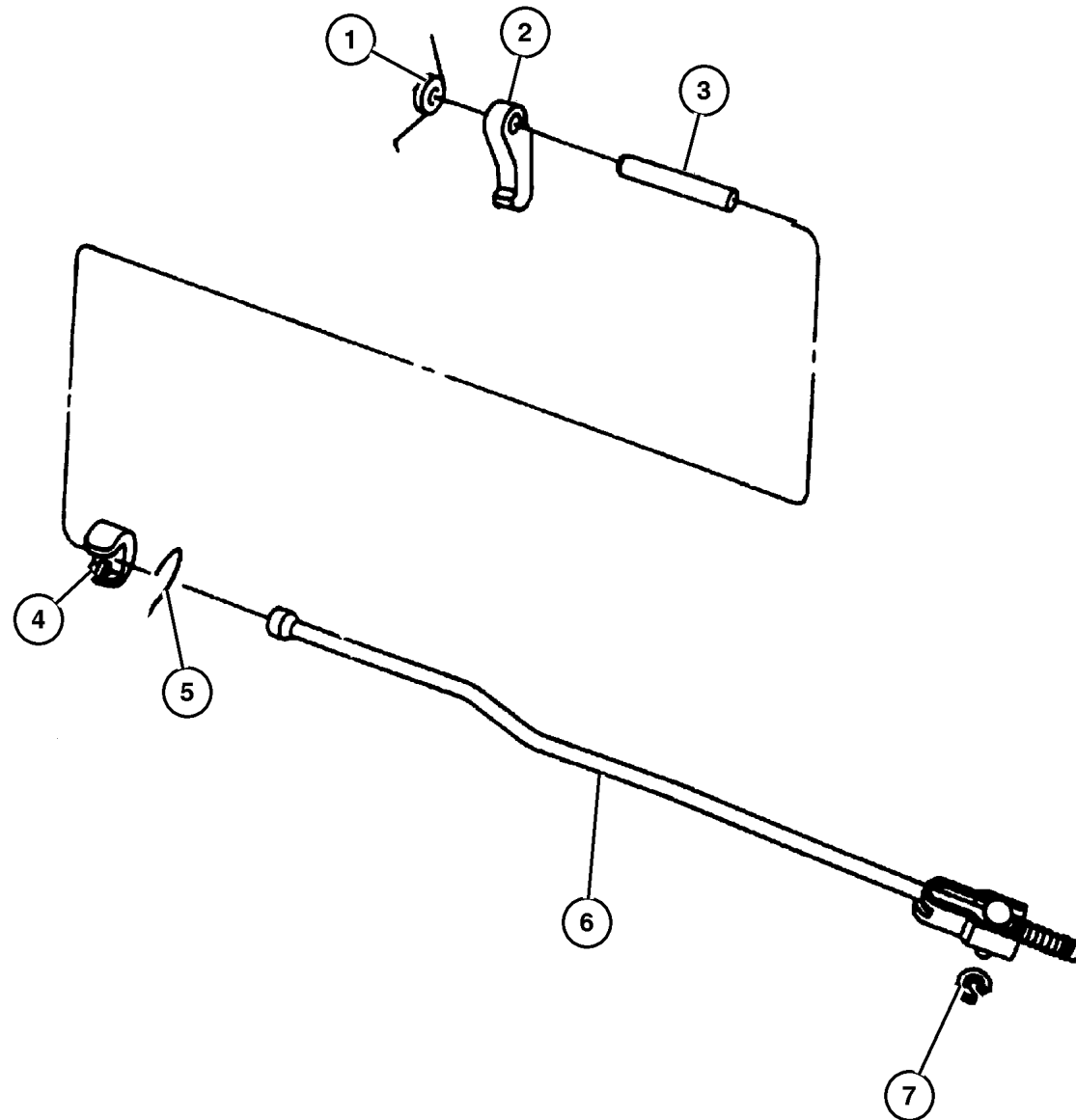
JEEP GRAND CHEROKEE (WJ)

SERIES	LINE	BODY	ENGINE	TRANSMISSION
H=Laredo	J = 4WD	74 = 4 Door(105.9 WB)	ER0, ERH = 4.0L, Power Tech I-6	DGK = 4 Speed Autm, 42RE
P=Limited	T = 2WD		EVO, EVA = 4.7L, Power Tech V8	DGW = 4 Speed Automatic, -44RE
	U = 4WD (RHD)		EXA, EX0 = 3.1L, 5 Cyl Turbo Diesel	DG4 = Multi Speed Automatic, -45RFE
				DGO = All Automatic

AR = Use as required - = Non illustrated part # = New this model year

April 3, 2002

**Parking Sprag 42RE [DGK]
Figure 42RE-730**



ITEM	PART NUMBER	QTY	LINE	SERIES	ENGINE	TRANS	DESCRIPTION
NOTES: Sales Codes und in the VIN number							
[DGK] = 42RE 4 Speed Automatic Transmission und in the VIN number							
[ER0] = All 4.0L 6 Cylinder Gas Engines und in the VIN number							
1	2466 909	1	T			DGK	SPRING, Parking Sprag
2	4471 415	1	T			DGK	SPRAG, Transmission Parking
		1	J, U			DGK	
3	2466 892	1	T			DGK	SHAFT, Parking Sprag
		1	J, U			DGK	
4	2538 042	1	T			DGK	PLUG, Parking Sprag
		1	J, U			DGK	
5	2538 034	1	T			DGK	SNAP RING, Transmission
		1	J, U			DGK	
6	4431 748	1	T			DGK	ROD, Parking Sprag
		1	J, U			DGK	
7	6035 256	1	T			DGK	SNAP RING, Rod
		1	J, U			DGK	

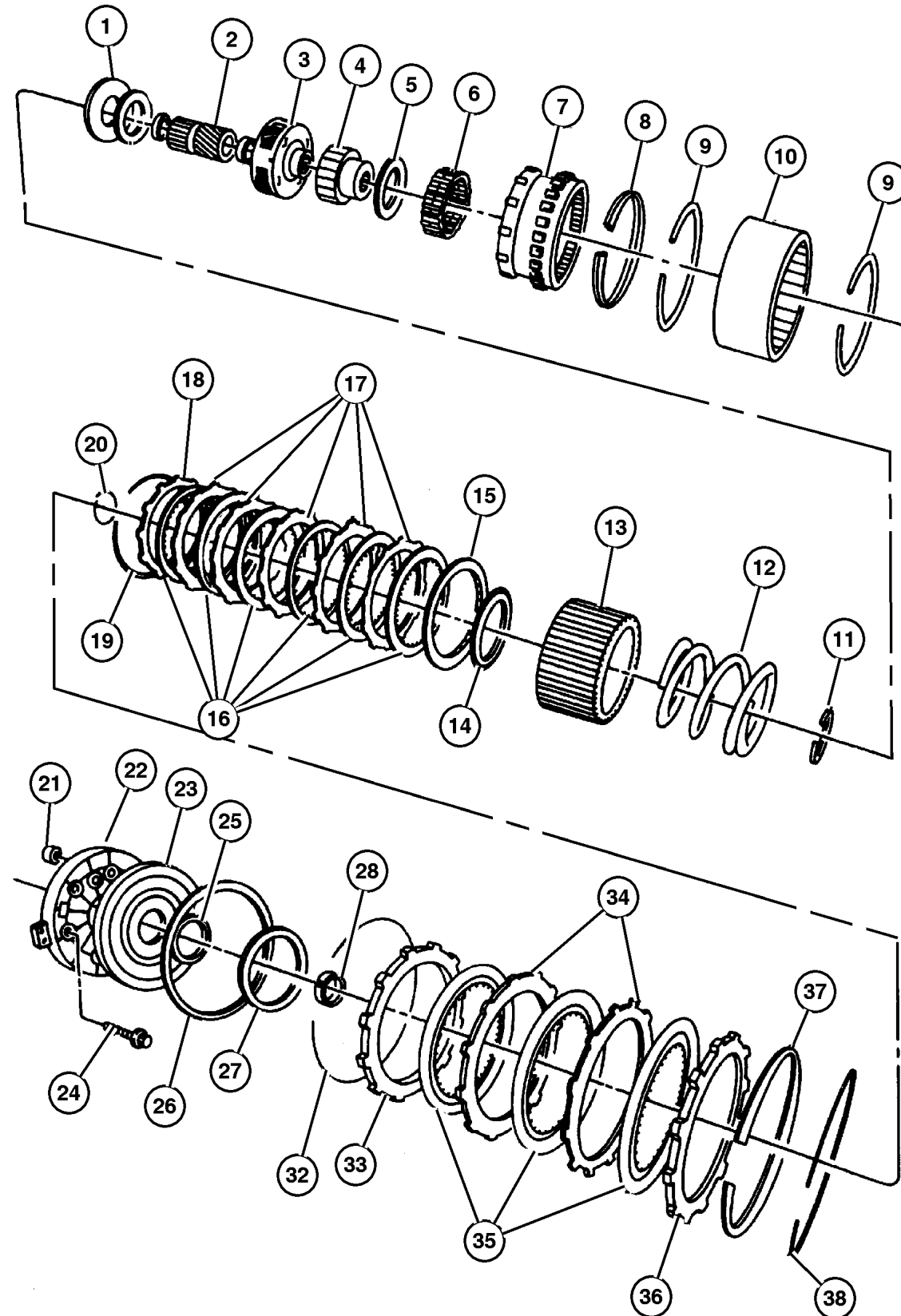
JEEP GRAND CHEROKEE (WJ)

SERIES	LINE	BODY	ENGINE	TRANSMISSION
H=Laredo	J = 4WD	74 = 4 Door(105.9 WB)	ER0, ERH = 4.0L, Power Tech I-6	DGK = 4 Speed Autm, 42RE
P=Limited	T = 2WD		EV0, EVA = 4.7L, Power Tech V8	DGW = 4 Speed Automatic, -44RE
	U = 4WD (RHD)		EXA, EX0 = 3.1L, 5 Cyl Turbo Diesel	DG4 = Multi Speed Automatic, -45RFE
				DGO = All Automatic

AR = Use as required - = Non illustrated part # = New this model year

April 3, 2002

**Overdrive Gear Train 42RE [DGK]
Figure 42RE-1010**



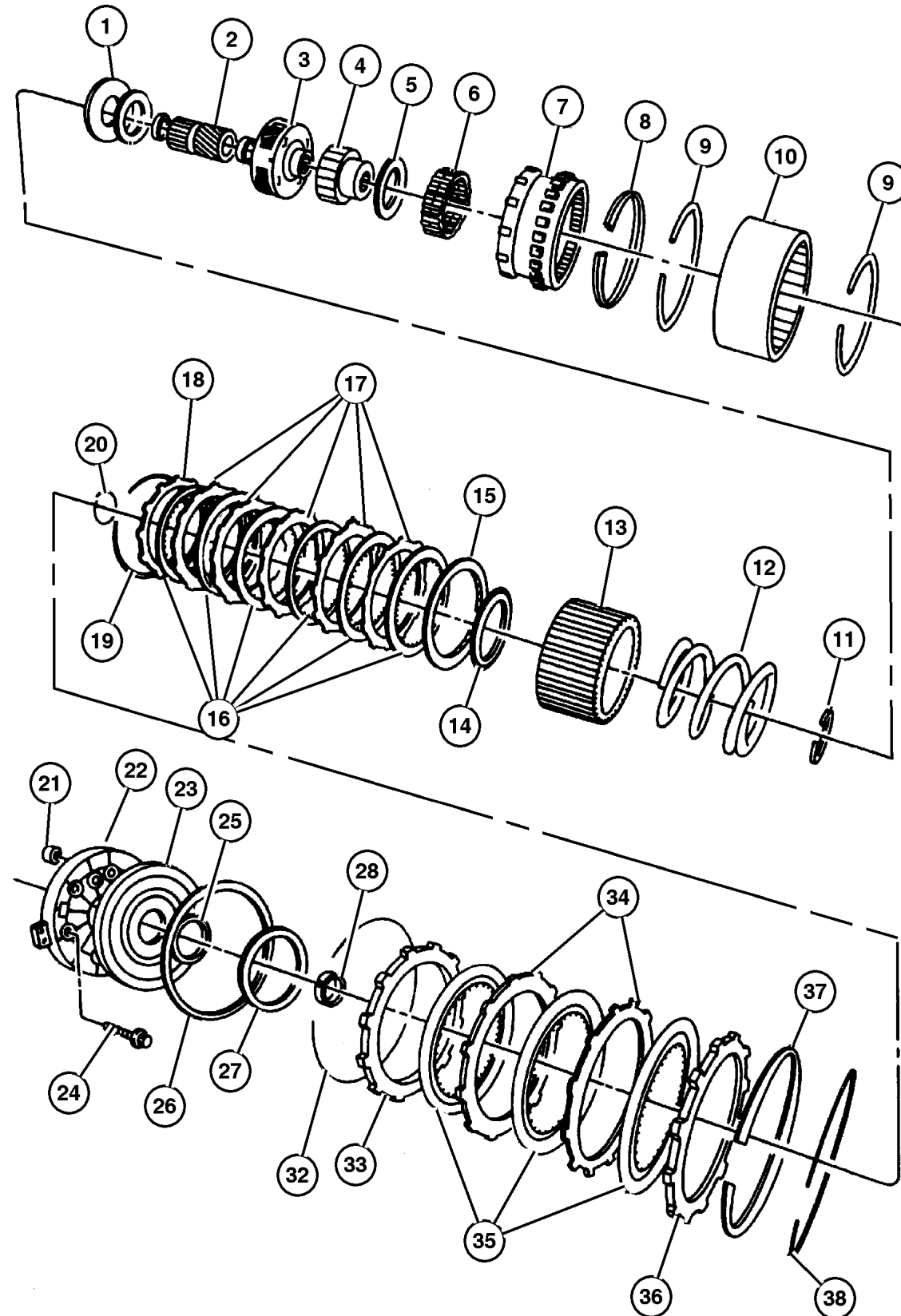
ITEM	PART NUMBER	QTY	LINE	SERIES	ENGINE	TRANS	DESCRIPTION
NOTES: Sales Codes und in the VIN number [DGK] = 42RE 4 Speed Automatic Transmission und in the VIN number [ER0] = All 4.0L 6 Cylinder Gas Engines und in the VIN number							
1							PLATE PACKAGE, Transmission Module
	4740 774	AR	T				
		1	J, U			DGK	
2	#5015 107AA	1	T			DGK	GEAR, Overdrive Sun
		1	J, U			DGK	
3	4798 520	1	T			DGK	CARRIER, O/Drive Planet Pinion
		1	J, U			DGK	
4							RACE, Overrunning Clutch
	4461 124	1	T			DGK	
		1	J, U			DGK	
5							THRUST BEARING, Ovedrive Third Position
	4461 014	1	T			DGK	
		1	J, U			DGK	
6							CLUTCH, Overdrive Overrunning
	4461 015	1	T			DGK	
		1	J, U			DGK	
7							GEAR, Overdrive Annulus
	4761 010	1	T			DGK	
		1	J, U			DGK	
8							SNAP RING, 5.25 OD
	4461 059	1	T			DGK	
		1	J, U			DGK	
9							SNAP RING, 6.00 OD
	4461 060	2	T				
		2	J, U			DGK	
10							DRUM, Automatic Transmission
	4461 040	1	T			DGK	
		1	J, U			DGK	
11							SNAP RING, 2.1875 OD
	4461 063	AR	T				
		1	J, U			DGK	
12							SPRING, Direct Clutch
	4461 027	AR	T				
		1	J, U			DGK	
13							HUB, Direct Clutch
	4461 072	AR	T			DGK	
		1	J, U			DGK	
14							THRUST BEARING, Overdrive

JEEP GRAND CHEROKEE (WJ)				
SERIES	LINE	BODY	ENGINE	TRANSMISSION
H=Laredo	J = 4WD	74 = 4 Door(105.9 WB)	ER0, ERH = 4.0L, Power Tech I-6	DGK = 4 Speed Autm, 42RE
P=Limited	T = 2WD		EV0, EVA = 4.7L, Power Tech V8	DGW = 4 Speed Automatic, -44RE
	U = 4WD (RHD)		EXA, EX0 = 3.1L, 5 Cyl Turbo Diesel	DG4 = Multi Speed Automatic, -45RFE
				DGO = All Automatic

AR = Use as required - = Non illustrated part # = New this model year

April 3, 2002

Overdrive Gear Train 42RE [DGK]
Figure 42RE-1010



ITEM	PART NUMBER	QTY	LINE	SERIES	ENGINE	TRANS	DESCRIPTION
	4446 724	1	T			DGK	
		1	J, U			DGK	
15	4461 030	1	T			DGK	PLATE, Transmission Clutch Reaction
		1	J, U			DGK	
16	4461 042	6	T			DGK	DISC, Direct Clutch
		6	J, U			DGK	
17	4461 054	5	T			DGK	PLATE, Transmission Clutch Reaction
		5	J, U			DGK	
18	4461 031	1	T			DGK	PLATE, Transmission Clutch Reaction
		1	J, U			DGK	
19	4461 027	AR	T			DGK	SPRING, Direct Clutch
		1	J, U			DGK	
20	4461 064	AR	T			DGK	SNAP RING, 1.875" OD
		1	J, U			DGK	
21	4412 583	1	T			DGK	FILTER, Overdrive Clutch
		1	J, U			DGK	
22	4617 246	1	T			DGK	RETAINER, Transmission Overdrive Clutch Piston
		1	J, U			DGK	
23	5211 8599	1	T			DGK	PISTON, Overdrive Clutch
		1	J, U			DGK	
24	6033 479	6	T			DGK	BOLT, Hex Head, .25-28x1-5/8
		6	J, U			DGK	
25	4431 696	1	T			DGK	SEAL, Overdrive Clutch Piston
		1	J, U			DGK	
26	4431 696	1	T			DGK	SEAL, Overdrive Clutch Piston
		1	J, U			DGK	
27	4431 585	1	J, U			DGK	PLATE, Transmission O/Drive Clutch .123"-.125" Thick
		1	T			DGK	.123"-.125" Thick
	4431 586	1	J, U			DGK	.153"-.155" Thick

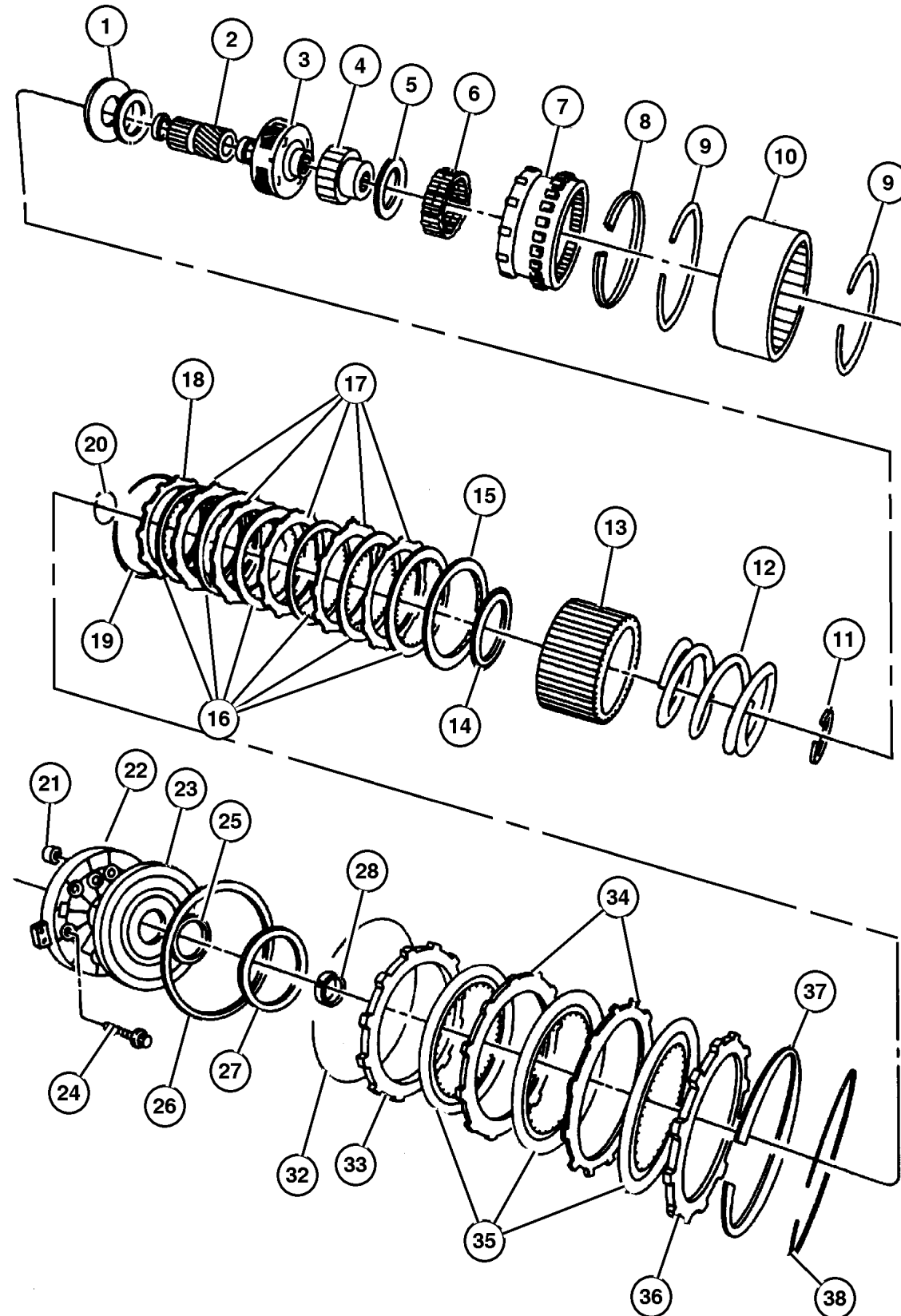
JEEP GRAND CHEROKEE (WJ)

SERIES	LINE	BODY	ENGINE	TRANSMISSION
H=Laredo	J = 4WD	74 = 4 Door(105.9 WB)	ER0, ERH = 4.0L, Power Tech I-6	DGK = 4 Speed Autm, 42RE
P=Limited	T = 2WD		EV0, EVA = 4.7L, Power Tech V8	DGW = 4 Speed Automatic, -44RE
	U = 4WD (RHD)		EXA, EX0 = 3.1L, 5 Cyl Turbo Diesel	DG4 = Multi Speed Automatic, -45RFE
				DGO = All Automatic

AR = Use as required - = Non illustrated part # = New this model year

April 3, 2002

**Overdrive Gear Train 42RE [DGK]
Figure 42RE-1010**



ITEM	PART NUMBER	QTY	LINE	SERIES	ENGINE	TRANS	DESCRIPTION
		1	T			DGK	.153"-.155" Thick
	4431 587	1	J, U			DGK	.183"-.185" Thick
		1	T			DGK	.183"-.185" Thick
	4431 588	1	J, U			DGK	.213"-.215" Thick
		1	T			DGK	.213"-.215" Thick
	4431 590	1	J, U			DGK	.243"-.245" Thick
		1	T			DGK	.243"-.245" Thick
	4431 731	1	J, U			DGK	.138"-.140" Thick
		1	T			DGK	.138"-.140" Thick
	4431 732	1	J, U			DGK	.168"-.170" Thick
		1	T			DGK	.168"-.170" Thick
	4431 733	1	J, U			DGK	.198"-.200" Thick
		1	T			DGK	.198"-.200" Thick
	4431 734	1	J, U			DGK	.228"-.245" Thick
		1	T			DGK	.228"-.245" Thick
	4431 735	1	J, U			DGK	.108"-.110" Thick
		1	T			DGK	.108"-.110" Thick
28							SPACER, Intermediate Shaft, 1.58mm
	4431 916	1	J, U			DGK	
		1	T			DGK	
-29							SPACER, Intermediate Shaft, .175
	4431 917	1	J, U			DGK	
		1	T			DGK	
-30							SPACER, Intermediate Shaft, .193
	4431 918	1	J, U			DGK	
		1	T			DGK	
-31							SPACER, Intermediate Shaft, .211
	4431 919	1	J, U			DGK	
		1	T			DGK	
32							SNAP RING, Overdrive Clutch
	4461 082	1	T			DGK	
		1	J, U			DGK	
33							PLATE, Transmission Clutch Reaction
	4461 048	1	T			DGK	
		1	J, U			DGK	
34							PLATE, Transmission Clutch Reaction
	4461 047	2	T			DGK	
		2	J, U			DGK	
35							DISC, Direct Clutch
	4461 181	3	T			DGK	
		3	J, U			DGK	
36							PLATE, Transmission Clutch Reaction

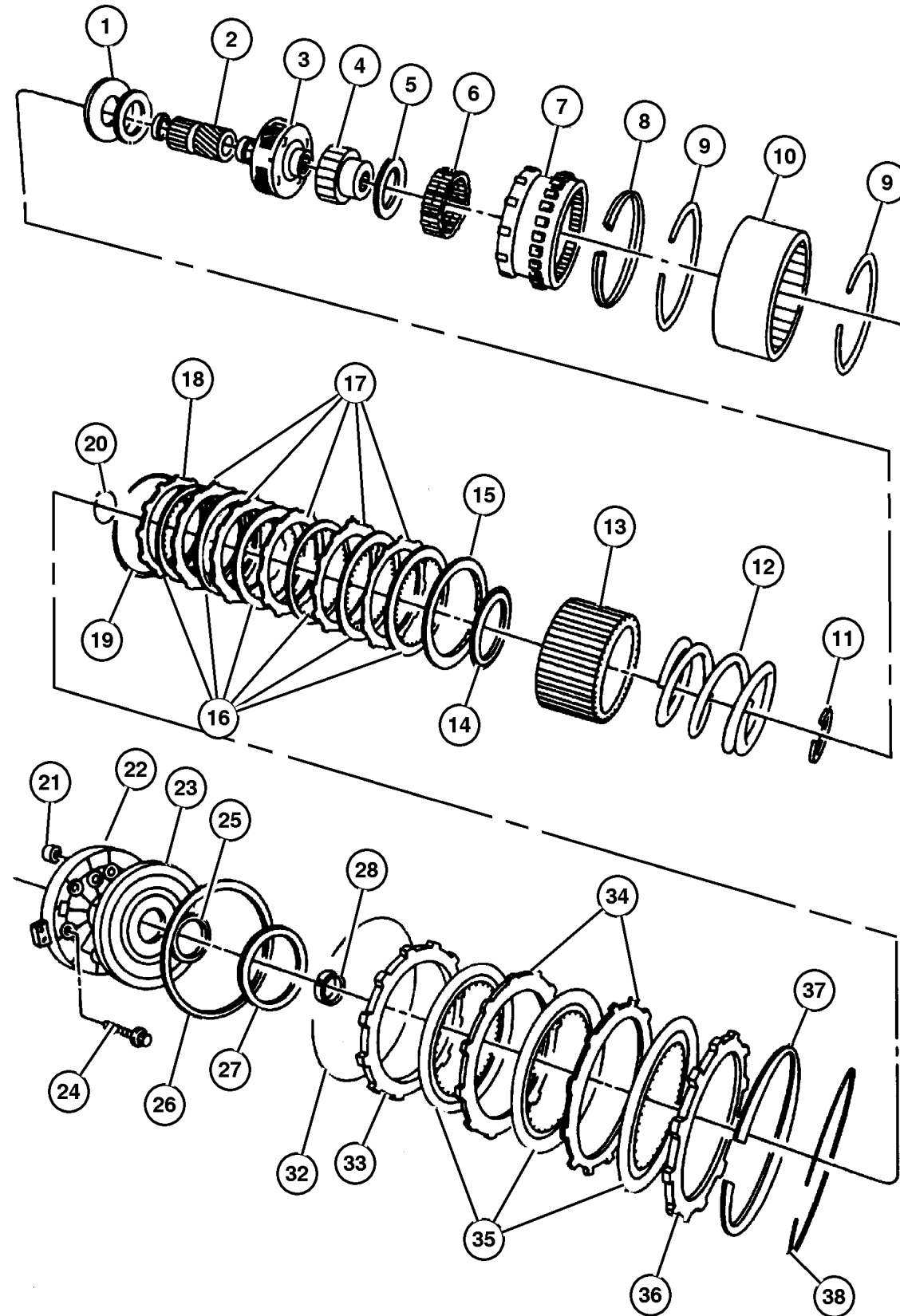
JEEP GRAND CHEROKEE (WJ)

SERIES	LINE	BODY	ENGINE	TRANSMISSION
H=Laredo	J = 4WD	74 = 4 Door(105.9 WB)	ER0, ERH = 4.0L, Power Tech I-6	DGK = 4 Speed Autm, 42RE
P=Limited	T = 2WD		EV0, EVA = 4.7L, Power Tech V8	DGW = 4 Speed Automatic, -44RE
	U = 4WD (RHD)		EXA, EX0 = 3.1L, 5 Cyl Turbo Diesel	DG4 = Multi Speed Automatic, -45RFE
				DGO = All Automatic

AR = Use as required - = Non illustrated part # = New this model year

April 3, 2002

Overdrive Gear Train 42RE [DGK]
Figure 42RE-1010



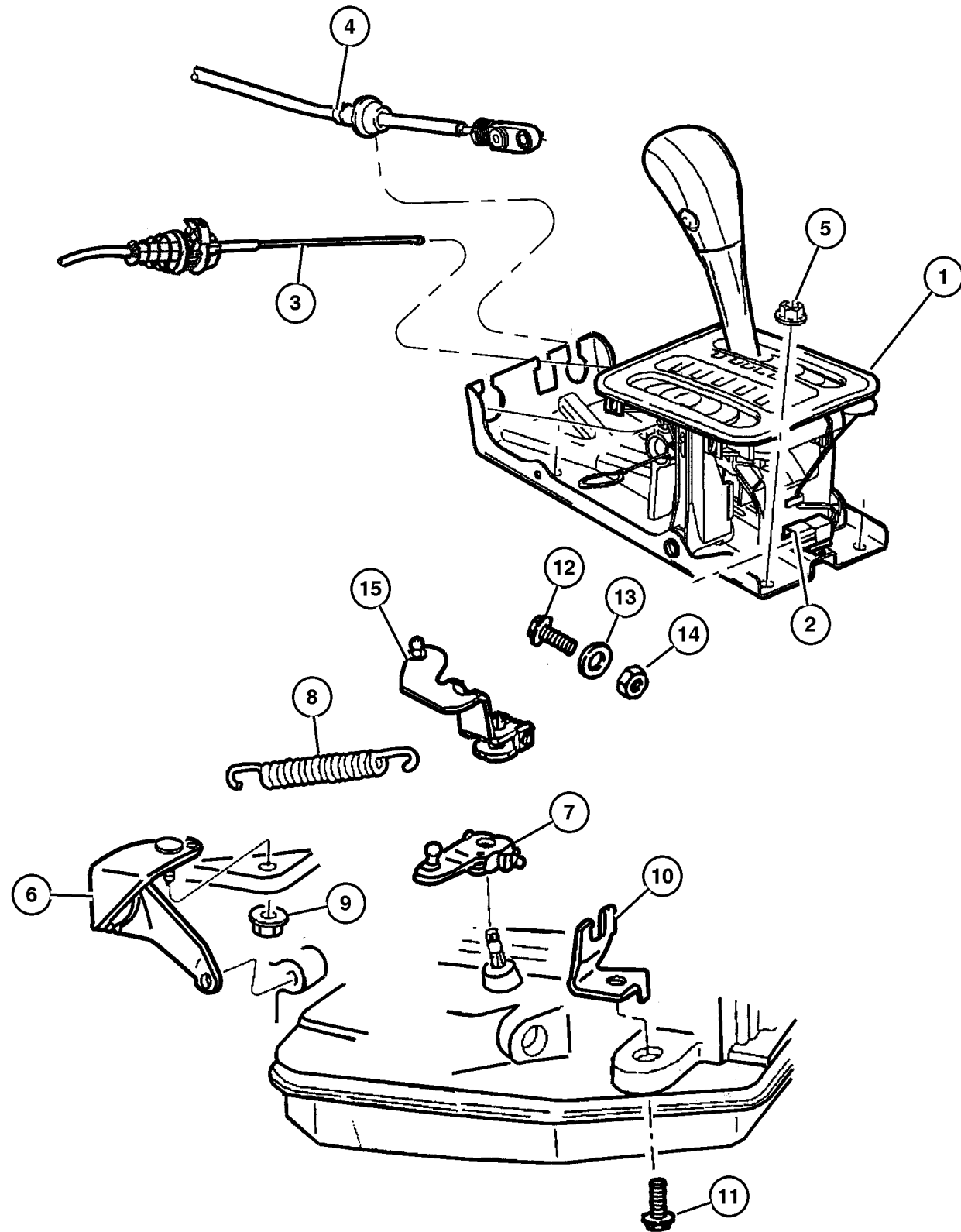
ITEM	PART NUMBER	QTY	LINE	SERIES	ENGINE	TRANS	DESCRIPTION
	4461 033	1	T			DGK	
		1	J, U			DGK	
37	4461 066	1	T			DGK	SPRING, Overdrive Clutch
		1	J, U			DGK	
38	4461 065	1	T			DGK	SNAP RING, 6.50 OD
		1	J, U			DGK	

JEEP GRAND CHEROKEE (WJ)				
SERIES	LINE	BODY	ENGINE	TRANSMISSION
H=Laredo	J = 4WD	74 = 4 Door(105.9 WB)	ER0, ERH = 4.0L, Power Tech I-6	DGK = 4 Speed Autm, 42RE
P=Limited	T = 2WD		EVO, EVA = 4.7L, Power Tech V8	DGW = 4 Speed Automatic, -44RE
	U = 4WD (RHD)		EXA, EX0 = 3.1L, 5 Cyl Turbo Diesel	DG4 = Multi Speed Automatic, -45RFE
				DGO = All Automatic

AR = Use as required - = Non illustrated part # = New this model year

April 3, 2002

**Gearshift Controls 42RE [DGK]
Figure 42RE-1210**



ITEM	PART NUMBER	QTY	LINE	SERIES	ENGINE	TRANS	DESCRIPTION
------	-------------	-----	------	--------	--------	-------	-------------

NOTES: Sales Codes und in the VIN number
 [DG0] = All Automatic Transmission und in the VIN number
 [DGK] = 42RE 4 Speed Automatic Transmission und in the VIN number
 [DGW] = 44RE 4 Speed Automatic Transmission und in the VIN number
 [ER0] = All 4.0L 6 Cylinder Gas Engines und in the VIN number
 [EX0] = All 3.0/3.1L Turbo Diesel Engine und in the VIN number

1							HOUSING AND LEVER, Shifter
	5210 4147	1	T			DG0	
	5210 4149	1	J			DG0	
	5210 4151	1	J			DG0	Without Var-Lok
	5210 4152	1	U			DG0	Without Var-Lok
	52104 375AA	1	U			DG0	With Var-Lok
	52104 374AA	1	J			DG0	With Var-Lok
2							CONNECTOR, Wiring
	5013 117AA	1	T			DG0	
		1	J			DG0	
		1	J			DG0	Without Vari-Lok
		1	U			DG0	Without Vari-Lok
		1	J			DG0	With Vari-Lok
		1	U			DG0	With Vari-Lok
3	5210 4054	1				DG0	CABLE, Park Interlock
4	5210 4060	1				DG0	CABLE, Gearshift Control
5	6101 695	4				DG0	NUT, Hex Flange Lock, M8x1.25
6	5210 4057	1				DGK	BRACKET, Shift Cable
7	5210 4058	1				DGK	LEVER, Manual Control
8	5300 9055	1				DGK, DGW	SPRING, Throttle Valve Return
9	6028 114	1				DGK, DGW	NUT, Hex, .437-14
10	5207 8867	1			ER0, EX0		BRACKET, Cable
11	0181 112	1				DGK, DGW	SCREW AND WASHER, .375-16x1.00
12	0181 065	1			ER0, EX0		BOLT, Hex Head, .25-20x1.00
13	0138 165	1			ER0, EX0		WASHER, Lock
14	J012 0375	1			ER0, EX0		NUT, Hex, .250-20
15	52078 723AB	1			ER0, EX0		LEVER, Throttle Valve

JEEP GRAND CHEROKEE (WJ)

SERIES	LINE	BODY	ENGINE	TRANSMISSION
H=Laredo	J = 4WD	74 = 4 Door(105.9 WB)	ER0, ERH = 4.0L, Power Tech I-6	DGK = 4 Speed Autm, 42RE
P=Limited	T = 2WD		EV0, EVA = 4.7L, Power Tech V8	DGW = 4 Speed Automatic, -44RE
	U = 4WD (RHD)		EXA, EX0 = 3.1L, 5 Cyl Turbo Diesel	DG4 = Multi Speed Automatic, -45RFE
				DGO = All Automatic

AR = Use as required - = Non illustrated part # = New this model year

April 3, 2002

Group – 44RE

Automatic Transmission 4 Speed

GROUP 44RE - Automatic Transmission 4 Speed

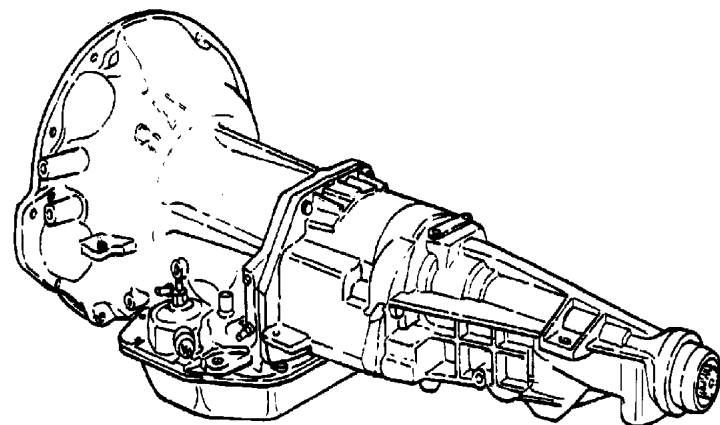


Illustration Title

Group-Fig. No.

Transmission Assembly

Transmission 44RE [DGW] Fig. 44RE-110

Case and Extension

Case and Related Parts 44RE [DGW] Fig. 44RE-210

Extension 44RE [DGW] Fig. 44RE-220

Oil Pump

Oil Pump 44RE [DGW] Fig. 44RE-310

Gear Train

Clutch Front and Rear 44RE [DGW] Fig. 44RE-410

Gear Train and Intermediate Shaft 44RE [DGW] Fig. 44RE-420

Output Shaft 44RE [DGW] Fig. 44RE-430

Bands, Reverse and Kickdown

Bands 44RE [DGW] Fig. 44RE-510

Valve Body

Valve Body 44RE [DGW] Fig. 44RE-710

Servos 44RE [DGW] Fig. 44RE-720

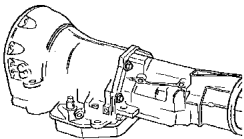
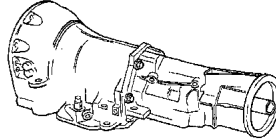

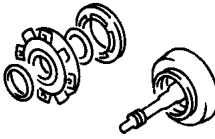
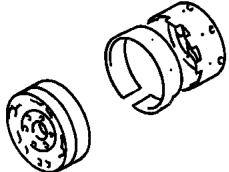
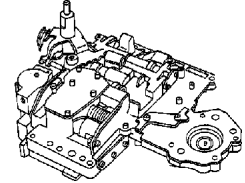
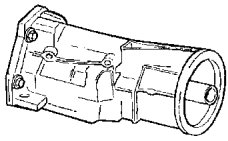
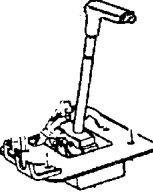
Parking Sprag 44RE [DGW] Fig. 44RE-730

Overdrive Gear Train

Overdrive Gear Train 44RE [DGW] Fig. 44RE-1010

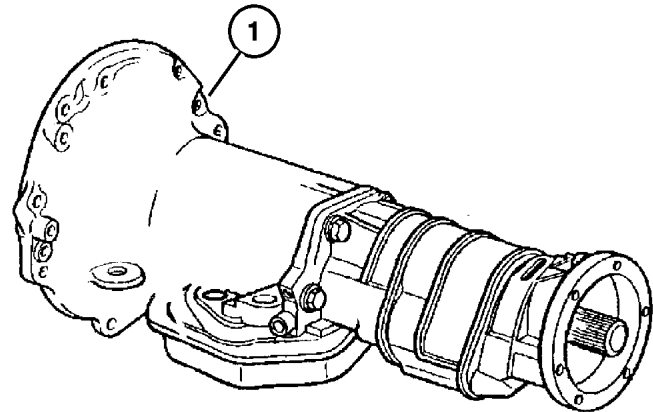
Gearshift Controls

Gearshift Controls 44RE [DGW] Fig. 44RE-1210

<p>44RE-100 Transmission Assembly</p> 	<p>44RE-200 Case and Extension</p> 	<p>44RE-300 Oil Pump</p> 	<p>44RE-400 Gear Train</p> 
<p>44RE-500 Bands, Reverse and Kickdown</p> 	<p>44RE-700 Valve Body</p> 	<p>44RE-1000 Overdrive Gear Train</p> 	<p>44RE-1200 Gearshift Controls</p> 

**Transmission 44RE [DGW]
Figure 44RE-110**

ITEM	PART NUMBER	QTY	LINE	SERIES	ENGINE	TRANS	DESCRIPTION
NOTES: Sales Codes und in the VIN number							
[DGW] = 44RE 4 Speed Automatic Transmission und in the VIN number							
[EX0] = All 3.0/3.1L Turbo Diesel Engines und in the VIN number							
1	#5015 275AA	1	J, U			DGW	TRANSMISSION PACKAGE, 52119842AA(Package Contains 52119842AA Transmission, 52118861 Converter, K1949765 Bolts)
-2	52118 155AB	1	J, U			DGW	OVERDRIVE ASSEMBLY, Transmission Rear Unit w/Extension

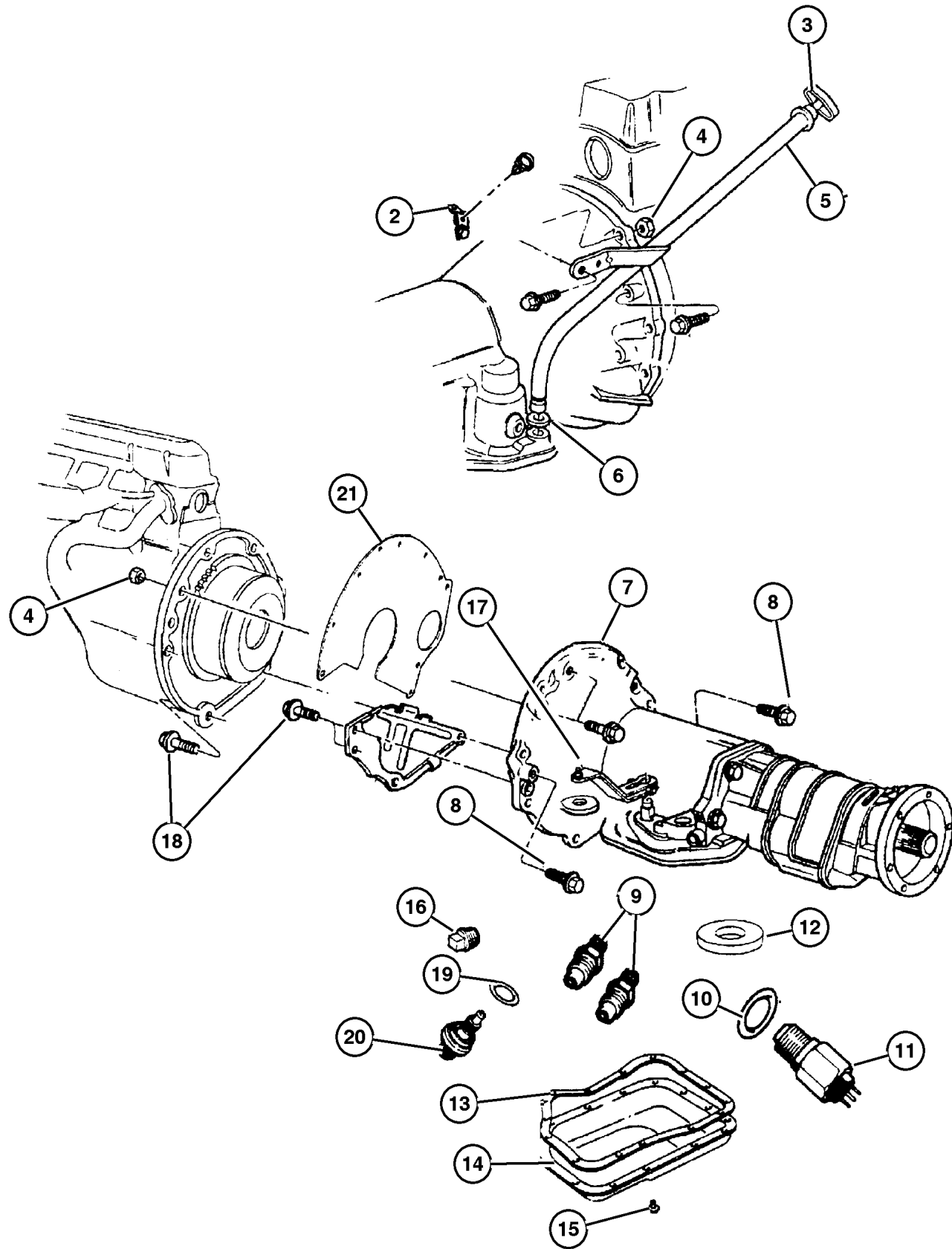


JEEP GRAND CHEROKEE (WJ)				
SERIES	LINE	BODY	ENGINE	TRANSMISSION
H=Laredo	J = 4WD	74 = 4 Door(105.9 WB)	ER0, ERH = 4.0L, Power Tech I-6	DGK = 4 Speed Autm, 42RE
P=Limited	T = 2WD		EVO, EVA = 4.7L, Power Tech V8	DGW = 4 Speed Automatic, -44RE
	U = 4WD (RHD)		EXA, EX0 = 3.1L, 5 Cyl Turbo Diesel	DG4 = Multi Speed Automatic, -45RFE
				DGO = All Automatic

AR = Use as required - = Non illustrated part # = New this model year

April 3, 2002

Case and Related Parts 44RE [DGW]
Figure 44RE-210



ITEM	PART NUMBER	QTY	LINE	SERIES	ENGINE	TRANS	DESCRIPTION
NOTES: Sales Codes und in the VIN number							
[DG0] = All Automatic Transmission und in the VIN number							
[DGK] = 42RE 4 Speed Automatic Transmission und in the VIN number							
[DGW] = 44RE 4 Speed Automatic Transmission und in the VIN number							
[ER0] = All 4.0L 6 Cylinder Gas Engines und in the VIN number							
[EX0] = All 3.0/3.1L Turbo Diesel Engine und in the VIN number							
-1	#4863 907AD	1	J, U			DGW	SEAL AND GASKET PACKAGE, Transmission
2	5209 8522	1	J, U		ER0, EX0		BRACKET, Tube
3	5211 8641	1			ER0, EX0		INDICATOR, Transmission Fluid Level
4	J021 9422	1				DGK	NUT, Hex
5	5211 8800	1			EX0	DGW	TUBE, Transmission Oil Filler
6	52118 629AB	1				DG0	SEAL, Oil Filler Tube
7	52118 816AA	1	J, U			DGW	CASE, Transmission
8	J400 4370	2				DGK	BOLT AND WASHER, Hex Head, .437-14x2.75
9	6033 879	2	J, U			DGW	NUT, Inverted Flare, .62-18
10	2408 143	1	J, U			DGW	WASHER, Switch
11	3747 361	1	J, U			DGW	SWITCH, Neutral, Safety, Back Up
12	3681 601	1	J, U			DGW	MAGNET, Transmission
13	4295 875	1	J, U			DGW	GASKET, Oil Pan
14	52118 779AB	1	J, U			DGW	PAN, Transmission Oil
15	4723 548	12	J, U			DGW	SCREW AND WASHER, Hex Head, .312-18x.625
16	6028 095	1	J, U			DGW	PLUG, Pressure Check
17	52104 276AA	1				DGW	LEVER, Manual Control
18	4723 548	2	T			DGK	SCREW AND WASHER, Hex Head, .312-18x.625
19	6501 701	1	J, U			DGW	O RING, Trans Speed Sensor
20	4412 879	1	J, U			DGW	SENSOR, Transmission Output Speed
21	J323 7847	1			ER0	DG0	SPACER, Clutch Housing

JEEP GRAND CHEROKEE (WJ)

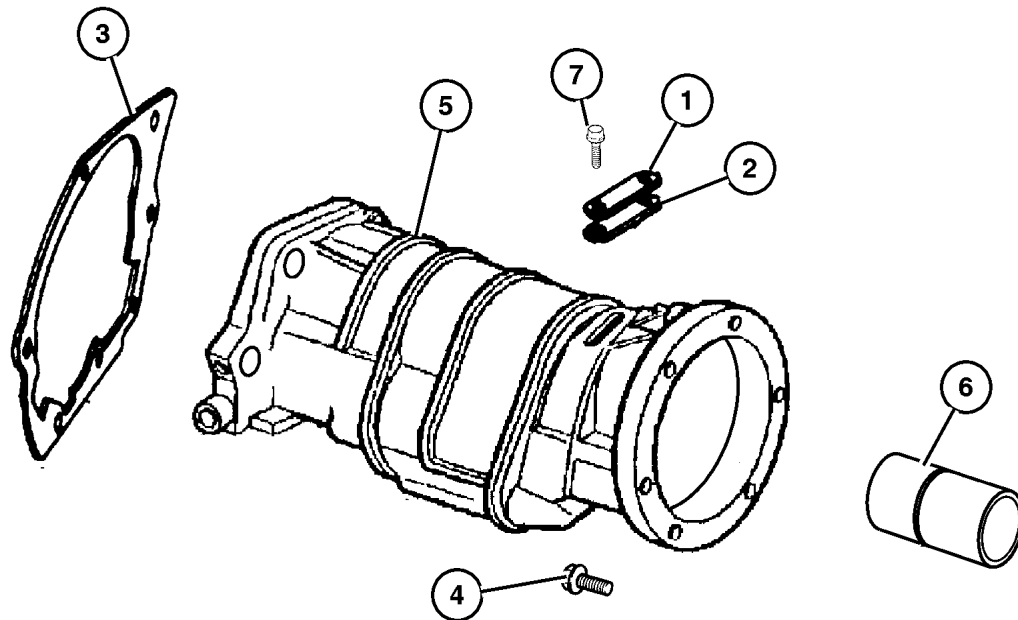
SERIES	LINE	BODY	ENGINE	TRANSMISSION
H=Laredo	J = 4WD	74 = 4 Door(105.9 WB)	ER0, ERH = 4.0L, Power Tech I-6	DGK = 4 Speed Autm, 42RE
P=Limited	T = 2WD		EVA, EVA = 4.7L, Power Tech V8	DGW = 4 Speed Automatic, -44RE
	U = 4WD (RHD)		EXA, EX0 = 3.1L, 5 Cyl Turbo Diesel	DG4 = Multi Speed Automatic, -45RFE
				DGO = All Automatic

AR = Use as required - = Non illustrated part # = New this model year

April 3, 2002

Extension 44RE [DGW]
Figure 44RE-220

ITEM	PART NUMBER	QTY	LINE	SERIES	ENGINE	TRANS	DESCRIPTION
NOTES: Sales Codes und in the VIN number							
[DGW] = 44RE 4 Speed Automatic Transmission und in the VIN number							
[EX0] = All 3.0/3.1L Turbo Diesel Engines und in the VIN number							
1	2466 957	1	J, U			DGW	COVER, Transmission Converter
2	2801 398	1	J, U			DGW	GASKET, Transmission
3	4471 564	1	J, U			DGW	GASKET, Overdrive Piston Retainer
4	6036 046AA	7	J, U			DGW	SCREW, Hex Flange Head, .375-16x1.38
5	5012 428AA	1	J, U			DGW	ADAPTER, Transfer Case
6	4269 956	1	J, U			DGW	SEAL, Adapter
7							SCREW, (NOT SERVICED)



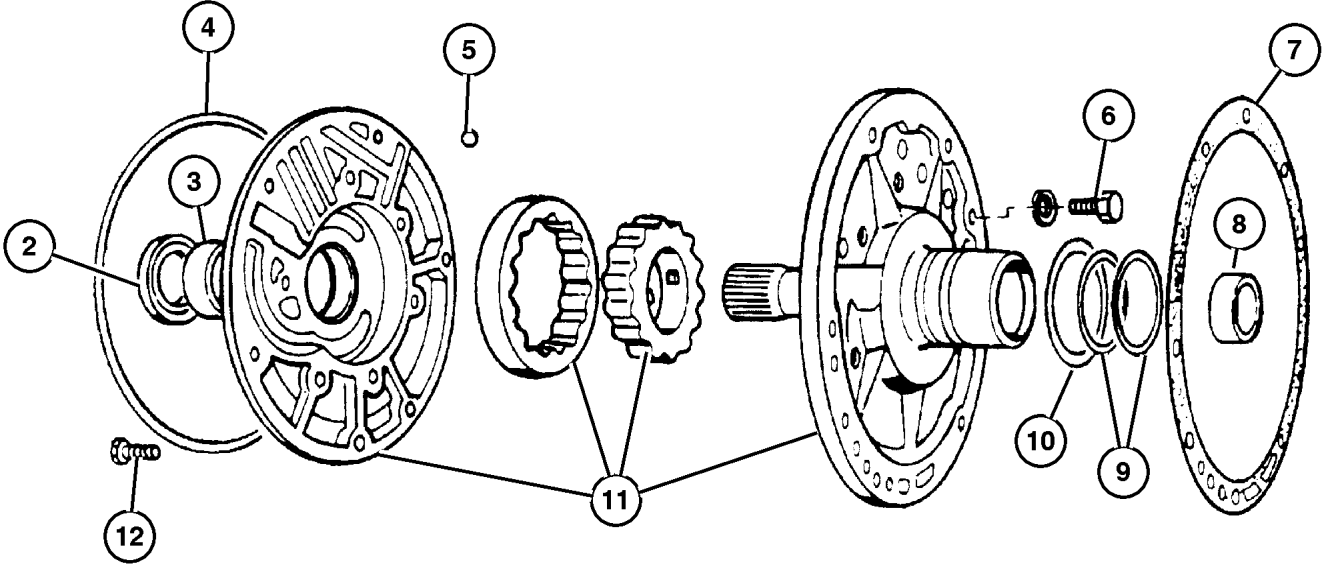
JEEP GRAND CHEROKEE (WJ)				
SERIES	LINE	BODY	ENGINE	TRANSMISSION
H=Laredo	J = 4WD	74 = 4 Door(105.9 WB)	ER0, ERH = 4.0L, Power Tech I-6	DGK = 4 Speed Autm, 42RE
P=Limited	T = 2WD		EVO, EVA = 4.7L, Power Tech V8	DGW = 4 Speed Automatic, -44RE
	U = 4WD (RHD)		EXA, EX0 = 3.1L, 5 Cyl Turbo Diesel	DG4 = Multi Speed Automatic, -45RFE
				DGO = All Automatic

AR = Use as required - = Non illustrated part # = New this model year

April 3, 2002

**Oil Pump 44RE [DGW]
Figure 44RE-310**

ITEM	PART NUMBER	QTY	LINE	SERIES	ENGINE	TRANS	DESCRIPTION
NOTES: Sales Codes: und in the VIN number							
[DGW] = 44RE 4 Speed Automatic Transmission und in the VIN number							
[EX0] = All 3.0/3.1L Turbo Diesel Engines und in the VIN number							
-1	4713 108AB	1	J, U			DGW	GASKET AND SEAL PACKAGE, Transmission Oil Pump
2	4412 475	1	J, U			DGW	SEAL, Impeller Hub, 57.25mm OD
3	2466 796	1	J, U			DGW	BUSHING, Front Pump
4	2204 709	1	J, U			DGW	SEAL, Front Pump Housing
5	0104 918	1	J, U			DGW	BALL, Valve Body Check
6	0179 815	6	J, U			DGW	SCREW, Hex Head, .312-18x.687
7	5211 8266	1	J, U			DGW	GASKET, Transmission Oil Pump
8	4058 635	1	J, U			DGW	BUSHING, Reaction Shaft
9	4471 874	2	J, U			DGW	SEAL, Ring Reaction Support, 2 1/16 O.D.
10	4617 786	1	J, U			DGW	THRUST WASHER, Front Clutch
11	52118 267AB	1	J, U			DGW	PUMP, Transmission Oil
12	6023 943	6	J, U			DGW	SCREW AND WASHER, Hex Flange Head, .312-18x1.375



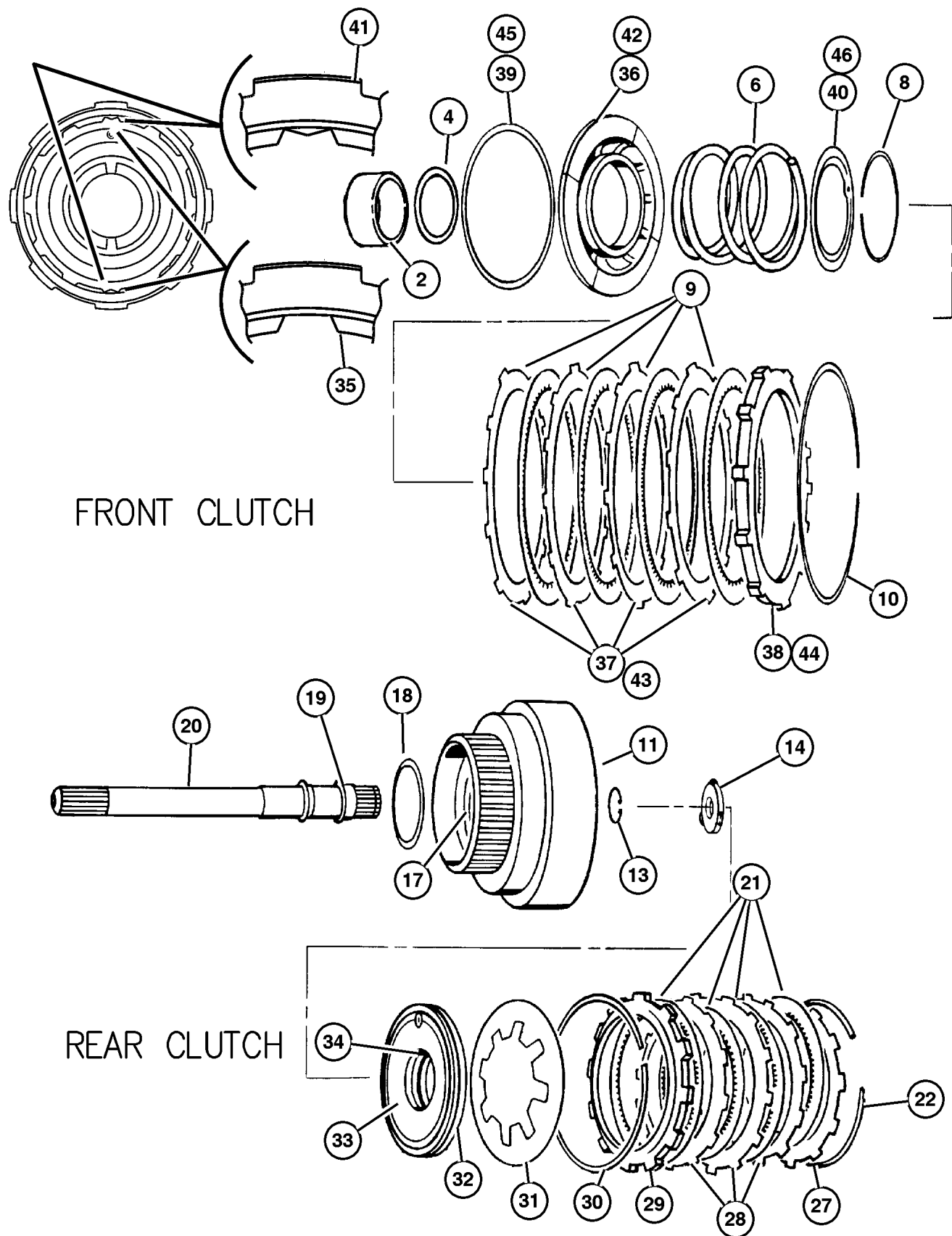
JEEP GRAND CHEROKEE (WJ)

SERIES	LINE	BODY	ENGINE	TRANSMISSION
H=Laredo	J = 4WD	74 = 4 Door(105.9 WB)	ER0, ERH = 4.0L, Power Tech I-6	DGK = 4 Speed Autm, 42RE
P=Limited	T = 2WD		EVO, EVA = 4.7L, Power Tech V8	DGW = 4 Speed Automatic, -44RE
	U = 4WD (RHD)		EXA, EX0 = 3.1L, 5 Cyl Turbo Diesel	DG4 = Multi Speed Automatic, -45RFE
				DGO = All Automatic

AR = Use as required - = Non illustrated part # = New this model year

April 3, 2002

**Clutch Front and Rear 44RE [DGW]
Figure 44RE-410**



ITEM	PART NUMBER	QTY	LINE	SERIES	ENGINE	TRANS	DESCRIPTION
NOTES: Sales Codes und in the VIN number							
[DGW] = 44RE 4 Speed Automatic Transmission und in the VIN number							
-1	#5252 926AB	1	J, U			DGW	SEAL PACKAGE, Transmission Clutch
2	4617 157	1	J, U			DGW	BUSHING, Front Clutch
-3	4617 159	1	J, U			DGW	BUSHING, Rear Clutch
4	3515 176	1	J, U			DGW	SEAL, Front Clutch Piston
-5	0147 483	1	J, U			DGW	CHECK BALL, Dia-.187
6	4329 809	1	J, U			DGW	SPRING, Front Clutch
-7	0147 483	1	J, U			DGW	CHECK BALL, Dia-.187
8	1942 400	1	J, U			DGW	SNAP RING
9	4617 362	5	J, U			DGW	DISC, Direct Clutch
10	3410 571	1	J, U			DGW	SNAP RING
11	4505 199	1	J, U			DGW	RETAINER, Transmission Rear Clutch
-12	0147 483	1	J, U			DGW	CHECK BALL, Dia-.187
13	6022 859	1	J, U			DGW	SNAP RING, .890625
14	4505 185	1	J, U			DGW	THRUST WASHER, Output Shaft, Gray .052
-15	4505 186	1	J, U			DGW	THRUST WASHER, Output Shaft, Red .068
-16	4505 187	1	J, U			DGW	THRUST WASHER, Output Shaft, Green .083
17	4028 333	1	J, U			DGW	SEAL, Rear Clutch, 1.50 ODx.009 Thk
18	4617 786	1	J, U			DGW	THRUST WASHER, Front Clutch
19	1401 221AB	1	J, U			DGW	SEAL, Input Shaft
20	5211 8478	1	J, U			DGW	SHAFT, Input
21	4713 880	4	J, U			DGW	DISC, Clutch
22	4130 761	1	J, U			DGW	SNAP RING
-23	4539 121	1	J, U			DGW	SNAP RING, Rear Clutch, .076
-24	4539 122	1	J, U			DGW	SNAP RING, Rear Clutch, .098
-25	4539 123	1	J, U			DGW	SNAP RING, Rear Clutch, .095
-26	4539 124	1	J, U			DGW	SNAP RING, Rear Clutch, .107
27	4617 176	1	J, U			DGW	PLATE, Transmission Clutch Reaction
28	1942 403AB	3	J, U			DGW	PLATE, Clutch Separator
29	2466 281	1	J, U			DGW	PLATE, Clutch Pressure
30	2466 283	1	J, U			DGW	SPRING, Rear Clutch
31	4269 623	1	J, U			DGW	SPRING, Rear Clutch Piston
32	2538 695	1	J, U			DGW	SEAL, Rear Clutch Piston
33	3515 716	1	J, U			DGW	PISTON, Clutch
34	2538 510	1	J, U			DGW	SEAL, Rear Clutch Piston
35	4617 153	1	J, U			DGW	RETAINER, Transmission Front Clutch, Up to 01-07-2000
36	4617 154	1	J, U			DGW	PISTON, Clutch
37	1942 403AB	5	J, U			DGW	PLATE, Clutch Separator
38	4617 176	1	J, U			DGW	PLATE, Transmission Clutch Reaction
39	4058 487	1	J, U			DGW	SEAL, Front Piston Clutch

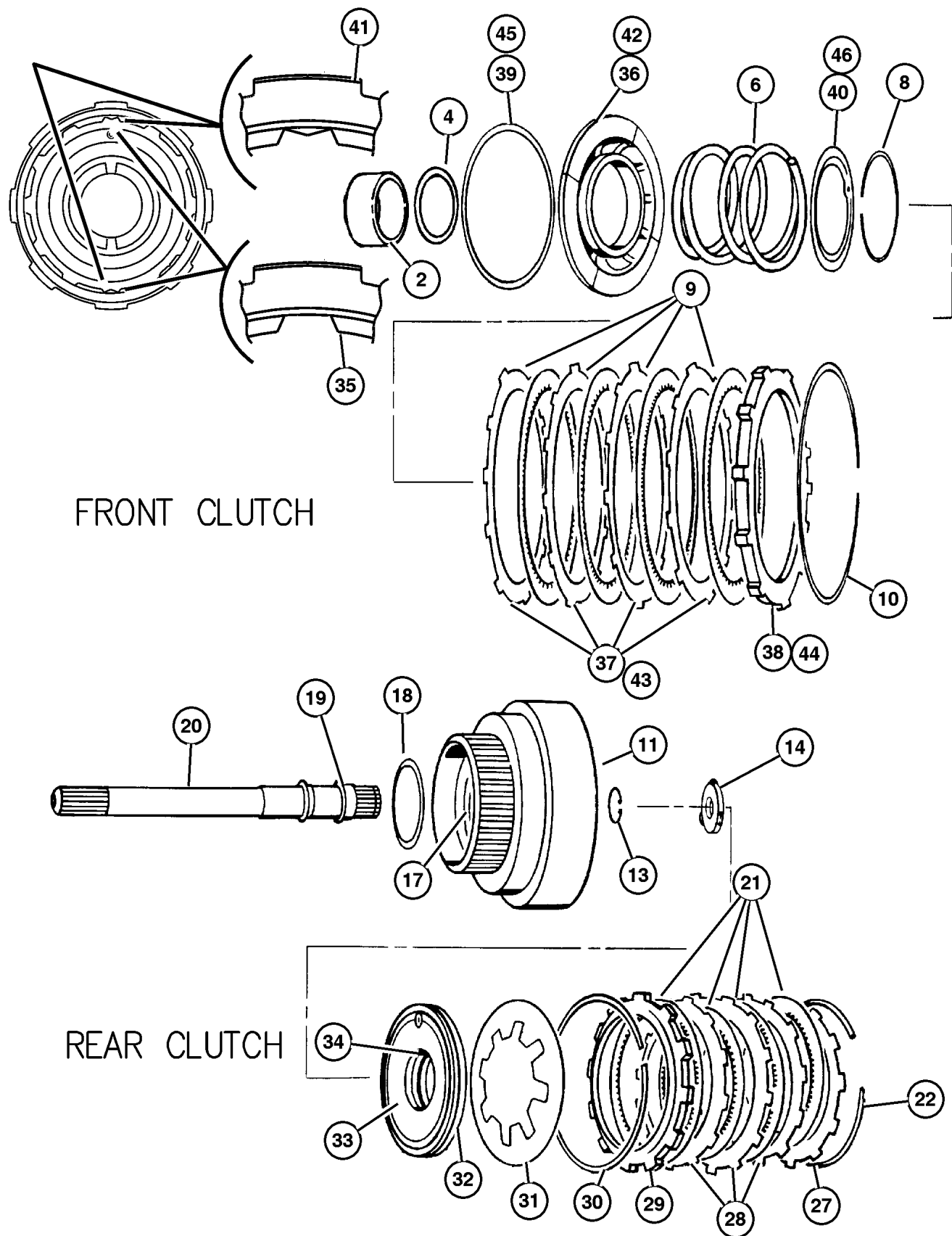
JEEP GRAND CHEROKEE (WJ)

SERIES	LINE	BODY	ENGINE	TRANSMISSION
H=Laredo	J = 4WD	74 = 4 Door(105.9 WB)	ER0, ERH = 4.0L, Power Tech I-6	DGK = 4 Speed Autm, 42RE
P=Limited	T = 2WD		EV0, EVA = 4.7L, Power Tech V8	DGW = 4 Speed Automatic, -44RE
	U = 4WD (RHD)		EXA, EX0 = 3.1L, 5 Cyl Turbo Diesel	DG4 = Multi Speed Automatic, -45RFE
				DGO = All Automatic

AR = Use as required - = Non illustrated part # = New this model year

April 3, 2002

**Clutch Front and Rear 44RE [DGW]
Figure 44RE-410**



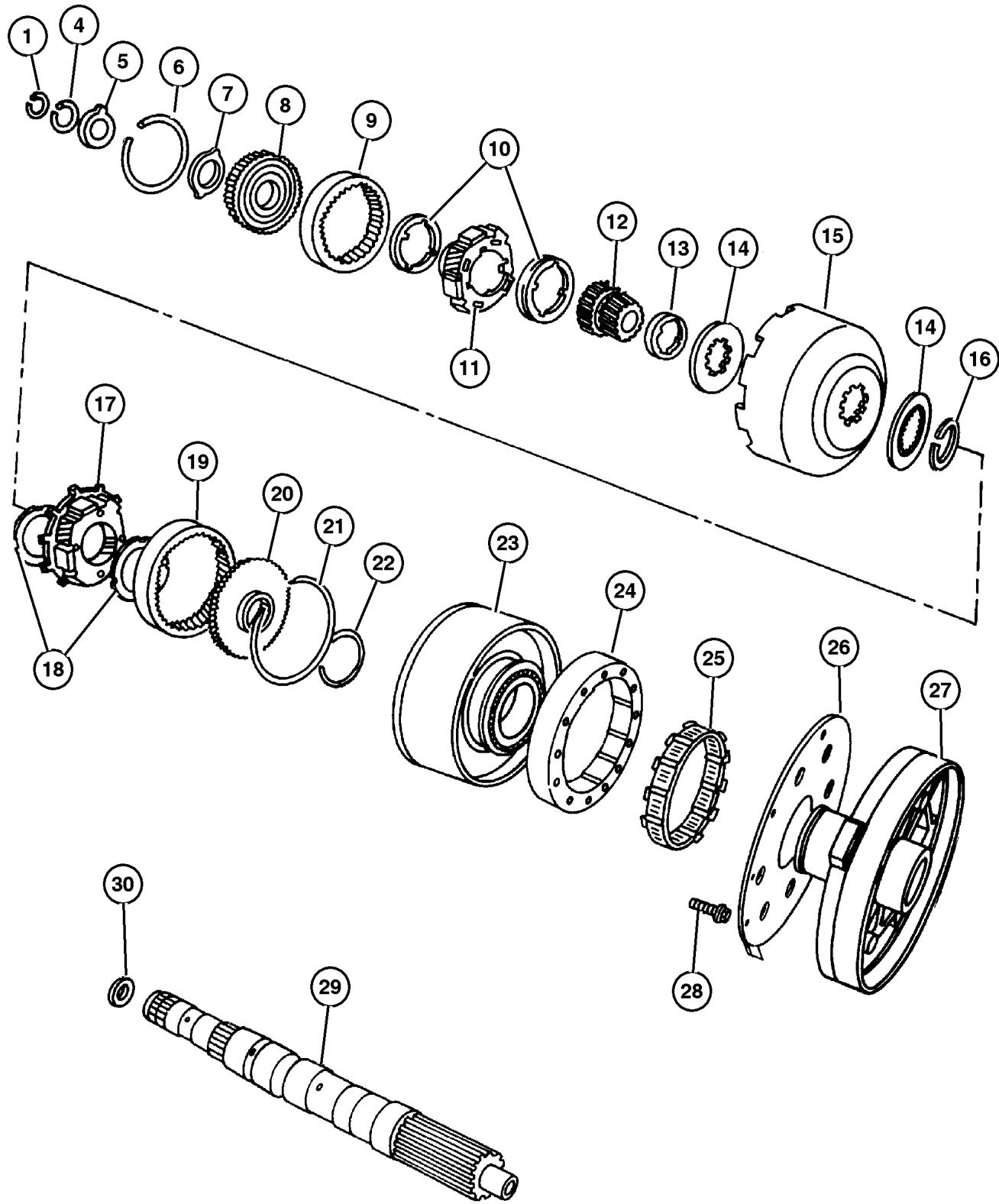
ITEM	PART NUMBER	QTY	LINE	SERIES	ENGINE	TRANS	DESCRIPTION
40	4617 516AB	1	J, U			DGW	RETAINER, Transmission Front Clutch Piston Spring
41	4617 153AB	1	J, U			DGW	RETAINER, Transmission Front Clutch, From 01-07-2000
42	4617 154AB	1	J, U			DGW	PISTON, Clutch
43	1942 403AC	1	J, U			DGW	PLATE, Clutch Separator
44	4617 176AB	1	J, U			DGW	PLATE, Transmission Clutch Reaction
45	4058 487AB	1	J, U			DGW	SEAL, Front Piston Clutch
46	4617 516AC	1	J, U			DGW	RETAINER, Transmission Front Clutch Piston Spring

JEEP GRAND CHEROKEE (WJ)				
SERIES	LINE	BODY	ENGINE	TRANSMISSION
H=Laredo	J = 4WD	74 = 4 Door(105.9 WB)	ER0, ERH = 4.0L, Power Tech I-6	DGK = 4 Speed Autm, 42RE
P=Limited	T = 2WD		EVO, EVA = 4.7L, Power Tech V8	DGW = 4 Speed Automatic, -44RE
	U = 4WD (RHD)		EXA, EX0 = 3.1L, 5 Cyl Turbo Diesel	DG4 = Multi Speed Automatic, -45RFE
				DGO = All Automatic

AR = Use as required - = Non illustrated part # = New this model year

April 3, 2002

**Gear Train and Intermediate Shaft 44RE [DGW]
Figure 44RE-420**



ITEM	PART NUMBER	QTY	LINE	SERIES	ENGINE	TRANS	DESCRIPTION
NOTES: Sales Codes und in the VIN number							
[DGW] = 44RE 4 Speed Automatic Transmission und in the VIN number							
[EX0] = All 3.0/3.1L Turbo Diesel Engines und in the VIN number							
1	6026 289	1	J, U			DGW	SNAP RING, .946 ID
-2	6030 938	1	J, U			DGW	SNAP RING
-3	6030 404	1	J, U			DGW	SNAP RING, Output Shaft, 1.029 OD
4	6030 576	1	J, U			DGW	SNAP RING, Annulus Gear, 1.375 ID
5	3681 969	1	J, U			DGW	THRUST WASHER, Annulus Gear
6	6035 238	1	J, U			DGW	SNAP RING
7	4617 775	1	J, U			DGW	PLATE, Annulus Gear Thrust
8	4617 774	1	J, U			DGW	SUPPORT, Annulus Gear
9	4130 512	1	J, U			DGW	GEAR, Front Annulus
10	4130 518	2	J, U			DGW	THRUST WASHER, Planetary Carrier
11	5211 8476	1	J, U			DGW	CARRIER, Planetary Pinion
12	4130 685	1	J, U			DGW	GEAR, Sun
13	4130 736	1	J, U			DGW	SPACER, Sun Gear
14	4471 566	2	J, U			DGW	PLATE, Transmission Module
15	4531 288	1	J, U			DGW	SHELL, Sun Gear
16	1942 439	1	J, U			DGW	SNAP RING, Sun Gear Shell
17	4431 438	1	J, U			DGW	CARRIER, Planetary Pinion
18	3681 935	1	J, U			DGW	THRUST WASHER, Planetary Carrier
19	3743 184	1	J, U			DGW	GEAR, Rear Annulus
20	3515 501	1	J, U			DGW	SUPPORT, Annulus Gear
21	1942 444	1	J, U			DGW	SNAP RING
22	6033 480	1	J, U			DGW	SNAP RING, Reverse Drum
23	4637 956	1	J, U			DGW	DRUM PACKAGE, Transmission
24	4431 690	1	J, U			DGW	CAM, Overrunning Clutch
25	4431 432	1	J, U			DGW	CLUTCH, Overrunning
26	4471 564	1	J, U			DGW	GASKET, Overdrive Piston Retainer
27	4617 246	1	J, U			DGW	RETAINER, Transmission Overdrive Clutch Piston
28	6033 616	5	J, U			DGW	SCREW, Hex Flange Head, .25-28x.875
29	4617 604	1	J, U			DGW	INTERMEDIATE SHAFT, Transmission
30	4505 188	1	J, U			DGW	PLATE, Transmission Module

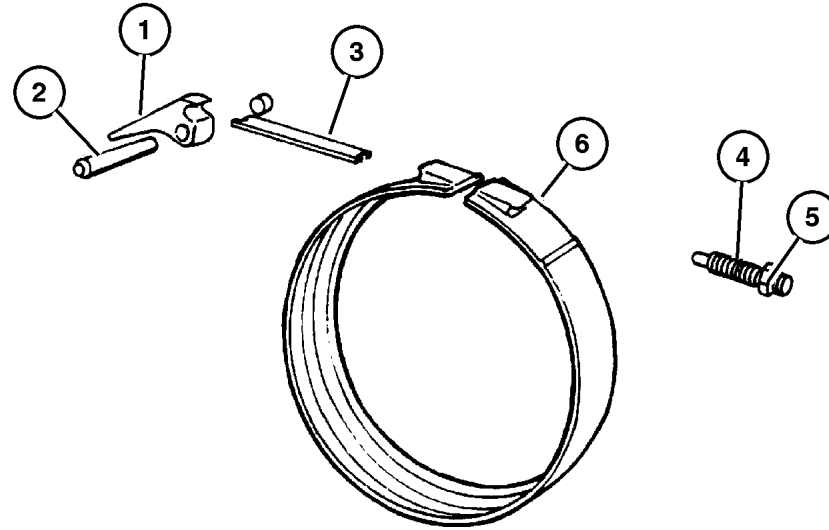
JEEP GRAND CHEROKEE (WJ)

SERIES	LINE	BODY	ENGINE	TRANSMISSION
H=Laredo	J = 4WD	74 = 4 Door(105.9 WB)	ER0, ERH = 4.0L, Power Tech I-6	DGK = 4 Speed Autm, 42RE
P=Limited	T = 2WD		EV0, EVA = 4.7L, Power Tech V8	DGW = 4 Speed Automatic, -44RE
	U = 4WD (RHD)		EXA, EX0 = 3.1L, 5 Cyl Turbo Diesel	DG4 = Multi Speed Automatic, -45RFE
				DGO = All Automatic

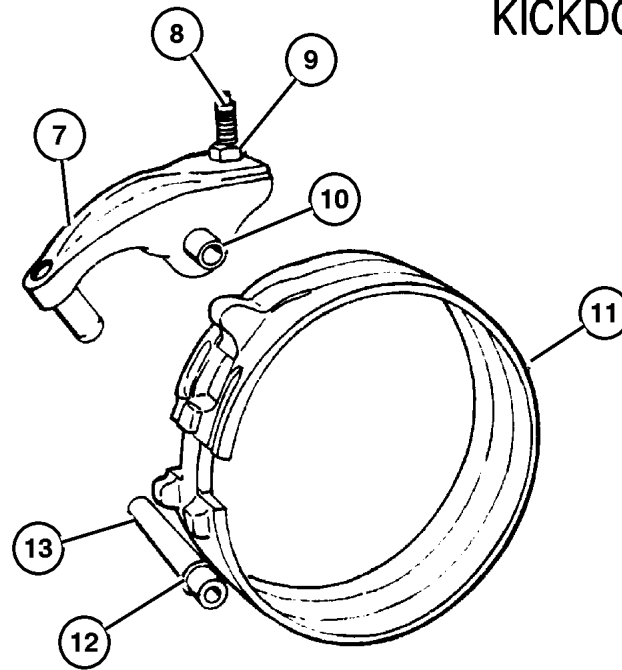
AR = Use as required - = Non illustrated part # = New this model year

April 3, 2002

**Bands 44RE [DGW]
Figure 44RE-510**



KICKDOWN BAND



DOUBLE WRAP REVERSE BAND

ITEM	PART NUMBER	QTY	LINE	SERIES	ENGINE	TRANS	DESCRIPTION
NOTES: Sales Codes und in the VIN number							
[DGW] = 44RE 4 Speed Automatic Transmission und in the VIN number							
[EX0] = All 3.0/3.1L Turbo Diesel Engines und in the VIN number							
1	2125 067	1	J, U			DGW	LEVER, Kickdown
2	4531 181	1	J, U			DGW	SHAFT, Band Lever
3	3515 084	1	J, U			DGW	STRUT, Kickdown Band
4	6036 141AA	1	J, U			DGW	SCREW
5	0124 934	1	J, U			DGW	NUT, Hex Jam, .50-20
6	4617 899	1	J, U			DGW	BAND, Kickdown
7							LEVER, Reverse Band
	4202 764AB	1	J, U			DGW	
	4202 765	1	J, U			DGW	With Stem
8	2538 472	1	J, U			DGW	SCREW, Trans Reverse Band Adjusting, .375-24-1.88
9	0114 942	1	J, U			DGW	NUT, Hex, .375-24
10	3410 102	1	J, U			DGW	SHAFT, Reverse Band
11	4431 406	1	J, U			DGW	BAND, Reverse
12	6030 657	1	J, U			DGW	O RING, Steering Gear
13	3410 102	1	J, U			DGW	SHAFT, Reverse Band

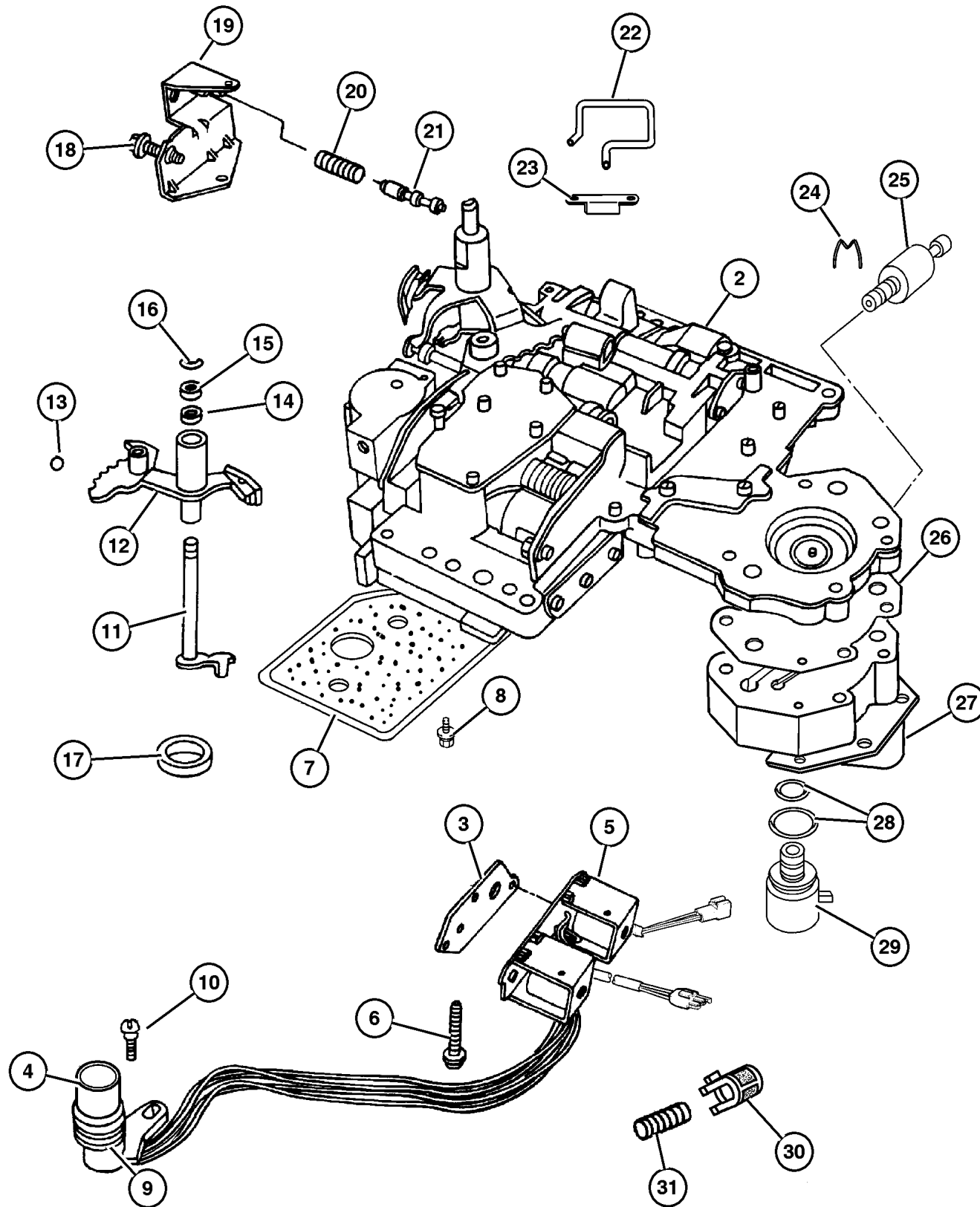
JEEP GRAND CHEROKEE (WJ)

SERIES	LINE	BODY	ENGINE	TRANSMISSION
H=Laredo	J = 4WD	74 = 4 Door(105.9 WB)	ER0, ERH = 4.0L, Power Tech I-6	DGK = 4 Speed Autm, 42RE
P=Limited	T = 2WD		EV0, EVA = 4.7L, Power Tech V8	DGW = 4 Speed Automatic, -44RE
	U = 4WD (RHD)		EXA, EX0 = 3.1L, 5 Cyl Turbo Diesel	DG4 = Multi Speed Automatic, -45RFE
				DGO = All Automatic

AR = Use as required - = Non illustrated part # = New this model year

April 3, 2002

**Valve Body 44RE [DGW]
Figure 44RE-710**



ITEM	PART NUMBER	QTY	LINE	SERIES	ENGINE	TRANS	DESCRIPTION
NO)TES: Sales Codes und in the VIN number							
[DGW] = 44RE 4 Speed Automatic Transmission und in the VIN number							
[EX0] = All 3.0/3.1L Turbo Diesel Engines und in the VIN number							
-1	4863 933AB	1	J, U			DGW	SEAL AND GASKET PACKAGE, Valve Body and Servo
2	#52119 634AB	1	J, U			DGW	BODY, Transfer Plate
3	4617 216	1	J, U			DGW	GASKET, Transmission Solenoid
4	#52118 500AB	1	J, U			DGW	SOLENOID, Transmission Overdrive
5	#56028 196AA	1	J, U			DGW	TRANSDUCER, Pressure Sensor
6	0181 071	3	J, U			DGW	BOLT, Valve Body, .25-20x1.75
7	5211 8789	1	J, U			DGW	FILTER, Valve Body
8	6033 826	3	J, U			DGW	SCREW AND WASHER, Oil Filter Mounting, Fillester Head .190-24x2.500
9	6034 748	2	J, U			DGW	O RING, Solenoid Wiring, Transmission
10	6033 985	1	J, U			DGW	SCREW, Tapping, .19-24x.75
11	3681 227	1	J, U			DGW	LEVER, Throttle Valve
12	4617 439	1	J, U			DGW	LEVER, Manual Valve
13	0147 488	1	J, U			DGW	BALL, Manual Lever Detent, .343 Diameter
14	2466 548	1	J, U			DGW	SEAL, Valve Lever Shift
15	2538 062	1	J, U			DGW	WASHER, Manual Valve Lever
16	6035 208	2	J, U			DGW	SNAP RING
17	4505 098	1	J, U			DGW	SEAL, Manual Shift Valve, 1.25 OD
18	6030 609	1	J, U			DGW	SCREW, Cap Head Lock, .312-24x1.25
19	4617 010	1	J, U			DGW	BRACKET, Valve Body Switch
20	4130 492	1	J, U			DGW	SPRING, Switch Valve
21	4505 036	1	J, U			DGW	VALVE, Trans Lockup Switch
22	4617 008	1	J, U			DGW	TUBE, Boost Valve
23	5211 7958	1	J, U			DGW	RETAINER, Boost Valve Oil Supply Tube
24	4617 219	1	J, U			DGW	CLIP, Transmission Governor Transducer
25	#56028 196AA	1	J, U			DGW	TRANSDUCER, Pressure Sensor
26	4617 216	1	J, U			DGW	GASKET, Transmission Solenoid
27	#4617 211AB	1	J, U			DGW	RETAINER, Transmission Governor Solenoid
28	6034 748	2	J, U			DGW	O RING, Solenoid Wiring, Transmission
29	4617 210	1	J, U			DGW	SOLENOID, Transmission Governor
30	3878 313	1	J, U			DGW	SCREEN, Transmission Regulator Valve
31	4348 907	1	J, U			DGW	SPRING, Limit Valve

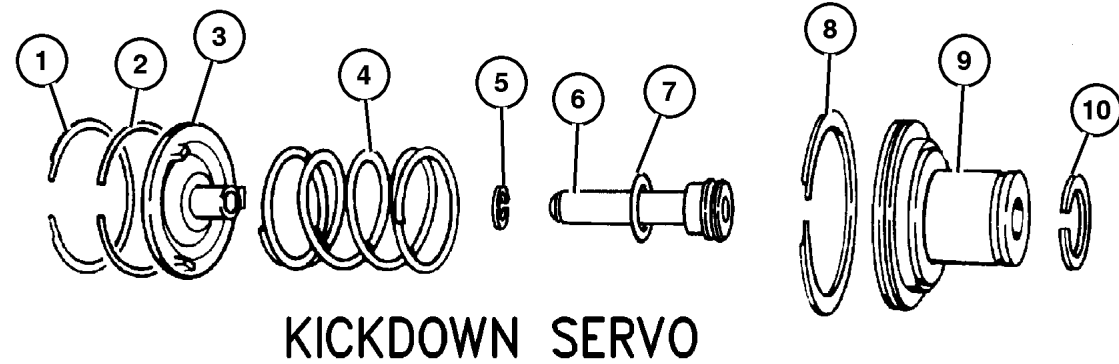
JEEP GRAND CHEROKEE (WJ)

SERIES	LINE	BODY	ENGINE	TRANSMISSION
H=Laredo	J = 4WD	74 = 4 Door(105.9 WB)	ER0, ERH = 4.0L, Power Tech I-6	DGK = 4 Speed Autm, 42RE
P=Limited	T = 2WD		EV0, EVA = 4.7L, Power Tech V8	DGW = 4 Speed Automatic, -44RE
	U = 4WD (RHD)		EXA, EX0 = 3.1L, 5 Cyl Turbo Diesel	DG4 = Multi Speed Automatic, -45RFE
				DGO = All Automatic

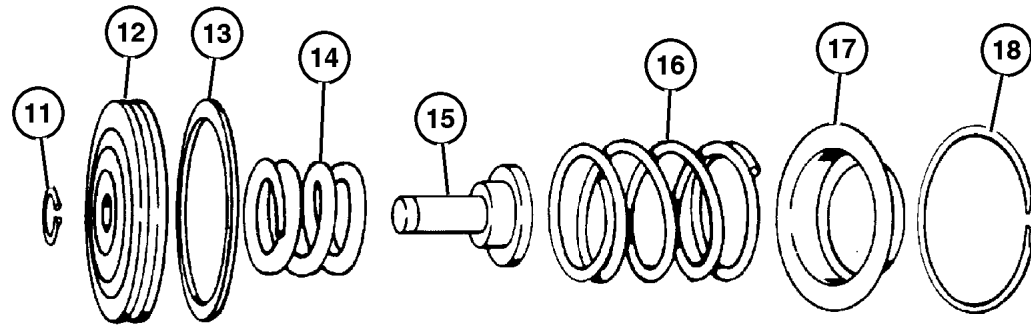
AR = Use as required - = Non illustrated part # = New this model year

April 3, 2002

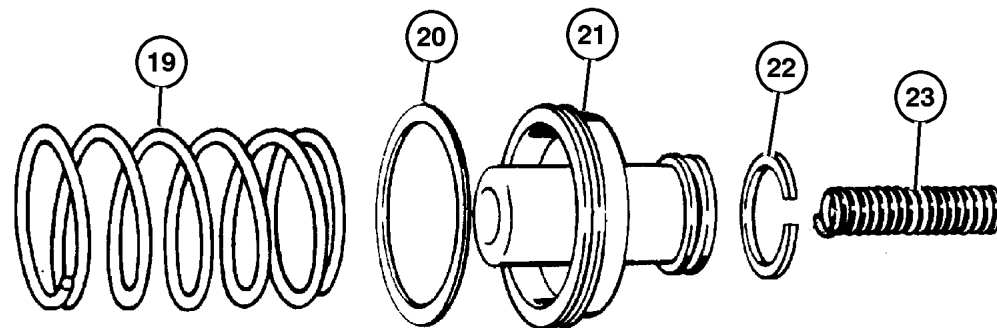
Servos 44RE [DGW]
Figure 44RE-720



KICKDOWN SERVO



LOW AND REVERSE SERVO



ACCUMULATOR PISTON AND SPRING

ITEM	PART NUMBER	QTY	LINE	SERIES	ENGINE	TRANS	DESCRIPTION
NOTES: Sales Codes und in the VIN number							
[DGW] = 44RE 4 Speed Automatic Transmission und in the VIN number							
[EX0] = All 3.0/3.1L Turbo Diesel Engines und in the VIN number							
1	6028 863	1	J, U			DGW	SNAP RING, Kickdown, 2.377
2	4295 966	1	J, U			DGW	SEAL, Servo Guide
3	3410 332	1	J, U			DGW	GUIDE, Kickdown Servo
4	4531 119	1	J, U			DGW	SPRING, Kickdown Servo Piston
5	6031 392	1	J, U			DGW	SNAP RING, Brake Master Cylinder
6	4058 780	1	J, U			DGW	ROD, Kickdown Servo Piston
7	6028 864	1	J, U			DGW	O RING, Kick Down Servo
8	4295 966	1	J, U			DGW	SEAL, Servo Guide
9	4058 777	1	J, U			DGW	PISTON, Kickdown Servo
10	3743 033	1	J, U			DGW	SEAL, Kickdown Servo
11	6027 153	1	J, U			DGW	SNAP RING, .435 ID
12	5211 8744	1	J, U			DGW	PISTON, Reverse Servo
13	4202 864	1	J, U			DGW	SEAL, Reverse Servo Piston
14	4130 824	1	J, U			DGW	SPRING, Reverse Servo Piston
15	52118 740AB	1	J, U			DGW	PLUG, Reverse Servo Piston
16	2801 274	1	J, U			DGW	SPRING, Reverse Servo Piston
17	2464 463	1	J, U			DGW	RETAINER, Transmission Rear Clutch
18	2464 464	1	J, U			DGW	SNAP RING
19	5211 8710	1	J, U			DGW	SPRING, Transmission Accumulator
20	3743 013	1	J, U			DGW	SEAL, Piston Accumulator
21	3743 650	1	J, U			DGW	PISTON, Accumulator
22	3743 010	1	J, U			DGW	SEAL, Piston Accumulator
23	4617 529	1	J, U			DGW	SPRING, Accumulator Piston

JEEP GRAND CHEROKEE (WJ)

SERIES	LINE	BODY	ENGINE	TRANSMISSION
H=Laredo	J = 4WD	74 = 4 Door(105.9 WB)	ER0, ERH = 4.0L, Power Tech I-6	DGK = 4 Speed Autm, 42RE
P=Limited	T = 2WD		EVO, EVA = 4.7L, Power Tech V8	DGW = 4 Speed Automatic, -44RE
	U = 4WD (RHD)		EXA, EX0 = 3.1L, 5 Cyl Turbo Diesel	DG4 = Multi Speed Automatic, -45RFE
				DGO = All Automatic

AR = Use as required - = Non illustrated part # = New this model year

April 3, 2002

**Parking Sprag 44RE [DGW]
Figure 44RE-730**

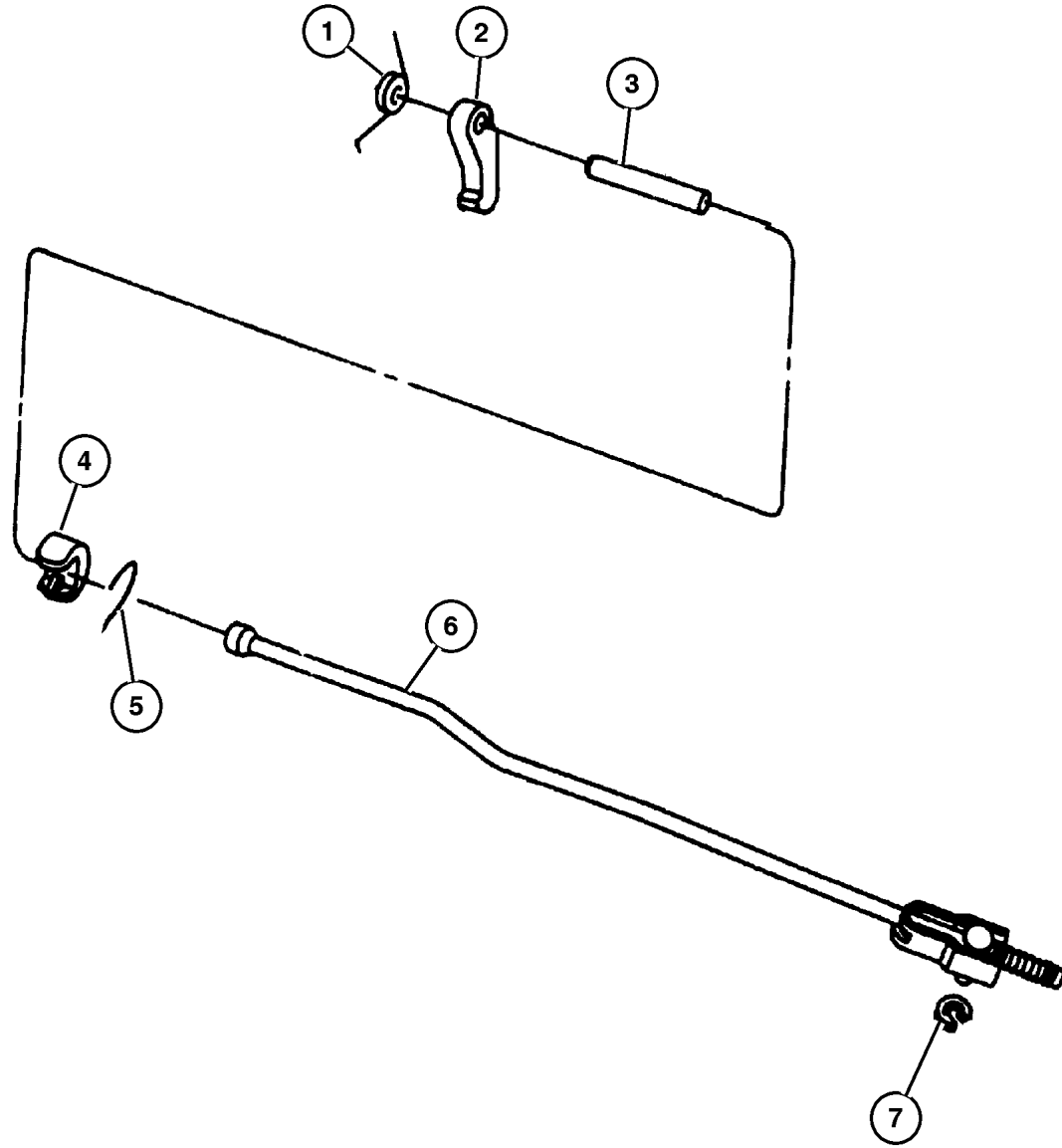
ITEM	PART NUMBER	QTY	LINE	SERIES	ENGINE	TRANS	DESCRIPTION
------	-------------	-----	------	--------	--------	-------	-------------

NOTES: Sales Codes und in the VIN number

[DGW] = 44RE 4 Speed Automatic Transmission und in the VIN number

[EX0] = All 3.0/3.1L Turbo Diesel Engines und in the VIN number

1	2466 909	1	J, U			DGW	SPRING, Parking Sprag
2	4471 415	1	J, U			DGW	SPRAG, Transmission Parking
3	2466 892	1	J, U			DGW	SHAFT, Parking Sprag
4	2538 042	1	J, U			DGW	PLUG, Parking Sprag
5	2538 034	1	J, U			DGW	SNAP RING, Transmission
6	4431 748	1	J, U			DGW	ROD, Parking Sprag
7	6035 256	1	J, U			DGW	SNAP RING, Rod



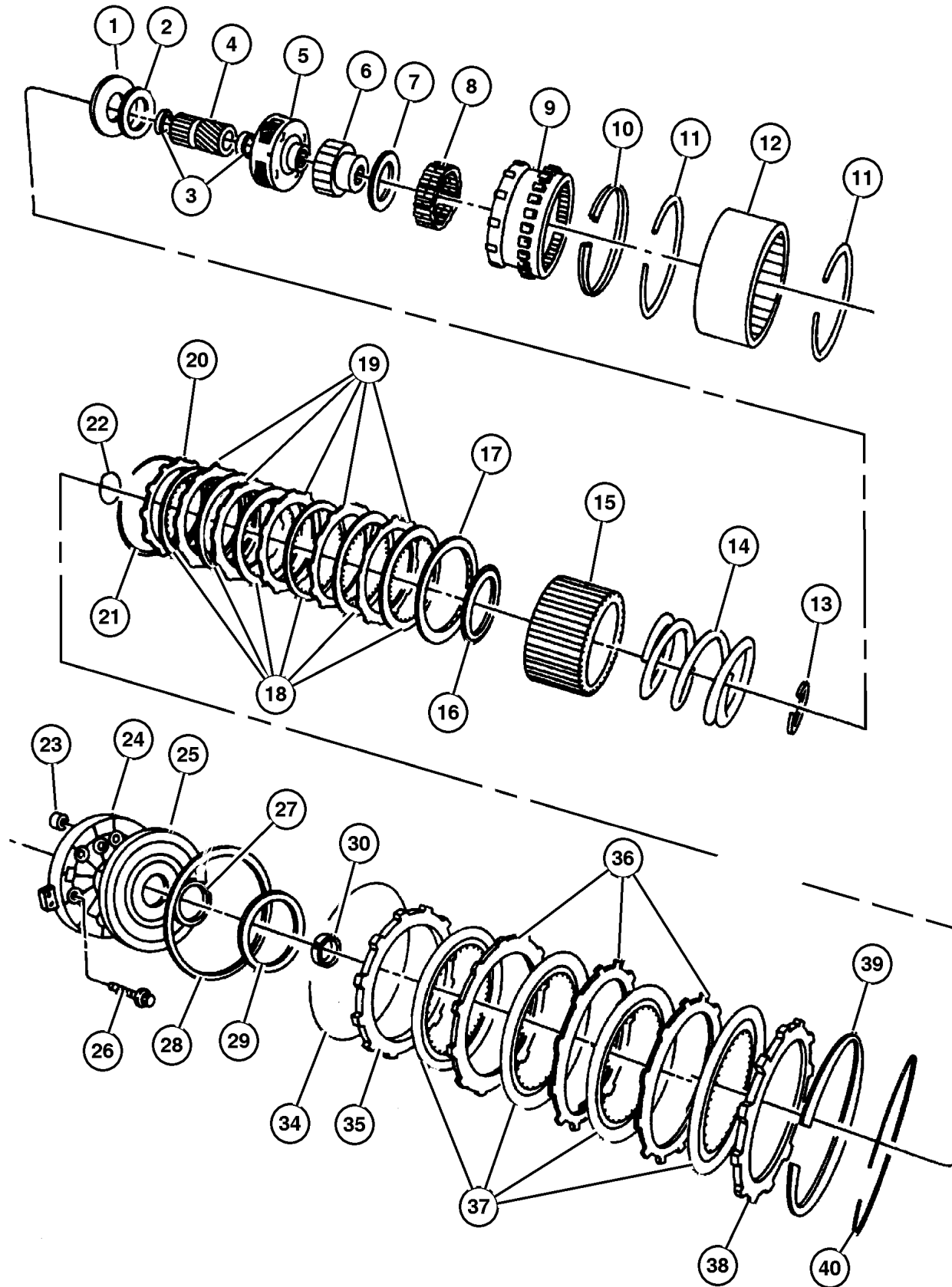
JEEP GRAND CHEROKEE (WJ)

SERIES	LINE	BODY	ENGINE	TRANSMISSION
H=Laredo	J = 4WD	74 = 4 Door(105.9 WB)	ER0, ERH = 4.0L, Power Tech I-6	DGK = 4 Speed Autm, 42RE
P=Limited	T = 2WD		EV0, EVA = 4.7L, Power Tech V8	DGW = 4 Speed Automatic, -44RE
	U = 4WD (RHD)		EXA, EX0 = 3.1L, 5 Cyl Turbo Diesel	DG4 = Multi Speed Automatic, -45RFE
				DGO = All Automatic

AR = Use as required - = Non illustrated part # = New this model year

April 3, 2002

**Overdrive Gear Train 44RE [DGW]
Figure 44RE-1010**



ITEM	PART NUMBER	QTY	LINE	SERIES	ENGINE	TRANS	DESCRIPTION
NOTES: Sales Codes und in the VIN number							
[DGW] = 44RE 4 Speed Automatic Transmission und in the VIN number							
[EX0] = All 3.0/3.1L Turbo Diesel Engines und in the VIN number							
1	4740 774	1	J, U			DGW	PLATE PACKAGE, Transmission Module
2							BEARING, (NOT SERVICED)
3							BEARING, (NOT SERVICED)
4	#5015 107AA	1	J, U			DGW	GEAR, Overdrive Sun
5	4798 520	1	J, U			DGW	CARRIER, O/Drive Planet Pinion
6	4461 124	1	J, U			DGW	RACE, Overrunning Clutch
7	4461 014	1	J, U			DGW	THRUST BEARING, Overdrive Third Position
8	4461 015	1	J, U			DGW	CLUTCH, Overdrive Overrunning
9	4761 010	1	J, U			DGW	GEAR, Overdrive Annulus
10	4461 059	1	J, U			DGW	SNAP RING, 5.25 OD
11	4461 060	2	J, U			DGW	SNAP RING, 6.00 OD
12	4461 089	1	J, U			DGW	DRUM, Automatic Transmission
13	4461 063	1	J, U			DGW	SNAP RING, 2.1875 OD
14	4461 027	1	J, U			DGW	SPRING, Direct Clutch
15	4461 072	1	J, U			DGW	HUB, Direct Clutch
16	4446 724	1	J, U			DGW	THRUST BEARING, Overdrive
17	4461 030	1	J, U			DGW	PLATE, Transmission Clutch Reaction
18	4461 042	8	J, U			DGW	DISC, Direct Clutch
19	4461 054	7	J, U			DGW	PLATE, Transmission Clutch Reaction
20	4461 030	1	J, U			DGW	PLATE, Transmission Clutch Reaction
21	4461 032	1	J, U			DGW	SPRING, Direct Clutch
22	4461 064	1	J, U			DGW	SNAP RING, 1.875" OD
23	4412 583	1	J, U			DGW	FILTER, Overdrive Clutch
24	4617 246	1	J, U			DGW	RETAINER, Transmission Overdrive Clutch Piston
25	5211 8599	1	J, U			DGW	PISTON, Overdrive Clutch
26	6033 479	6	J, U			DGW	BOLT, Hex Head, .25-28x1-5/8
27	4431 697	1	J, U			DGW	SEAL, Overdrive Clutch Piston
28	4431 696	1	J, U			DGW	SEAL, Overdrive Clutch Piston
29							PLATE, Transmission O/Drive Clutch
	4431 586	1	J, U			DGW	.153-.155" Thick
	4431 587	1	J, U			DGW	.183-.185" Thick
	4431 588	1	J, U			DGW	.213-.215" Thick
	4431 590	1	J, U			DGW	.243-.245" Thick
	4431 731	1	J, U			DGW	.135-.140" Thick
	4431 732	1	J, U			DGW	.168-.170" Thick
	4431 733	1	J, U			DGW	.198-.200" Thick
	4431 734	1	J, U			DGW	.228-.230" Thick
	4431 735	1	J, U			DGW	.108-.110" Thick
30	4431 916	1	J, U			DGW	SPACER, Intermediate Shaft, 1.58mm, 1.58mm

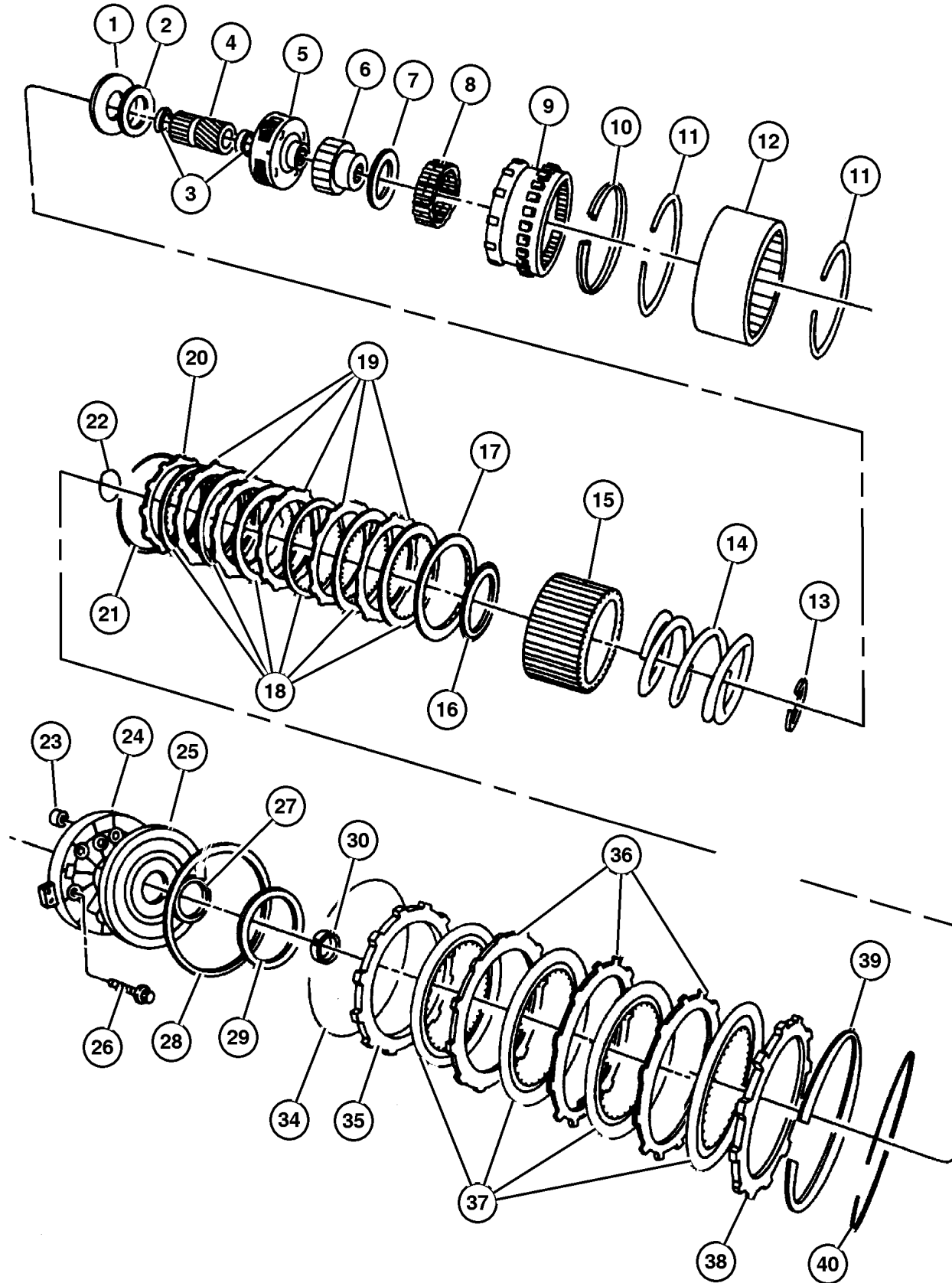
JEEP GRAND CHEROKEE (WJ)

SERIES	LINE	BODY	ENGINE	TRANSMISSION
H=Laredo	J = 4WD	74 = 4 Door(105.9 WB)	ER0, ERH = 4.0L, Power Tech I-6	DGK = 4 Speed Autm, 42RE
P=Limited	T = 2WD		EV0, EVA = 4.7L, Power Tech V8	DGW = 4 Speed Automatic, -44RE
	U = 4WD (RHD)		EXA, EX0 = 3.1L, 5 Cyl Turbo Diesel	DG4 = Multi Speed Automatic, -45RFE
				DGO = All Automatic

AR = Use as required - = Non illustrated part # = New this model year

April 3, 2002

Overdrive Gear Train 44RE [DGW]
Figure 44RE-1010



ITEM	PART NUMBER	QTY	LINE	SERIES	ENGINE	TRANS	DESCRIPTION
-31	4431 917	1	J, U			DGW	SPACER, Intermediate Shaft, .175, .175mm
-32	4431 918	1	J, U			DGW	SPACER, Intermediate Shaft, .193, .193mm
-33	4431 919	1	J, U			DGW	SPACER, Intermediate Shaft, .211, .211mm
34	4461 082	1	J, U			DGW	SNAP RING, Overdrive Clutch
35	4461 033	2	J, U			DGW	PLATE, Transmission Clutch Reaction
36	4461 047	3	J, U			DGW	PLATE, Transmission Clutch Reaction
37	4461 181	4	J, U			DGW	DISC, Direct Clutch
38	4461 033	2	J, U			DGW	PLATE, Transmission Clutch Reaction
39	4461 066	1	J, U			DGW	SPRING, Overdrive Clutch
40	4461 065	1	J, U			DGW	SNAP RING, 6.50 OD

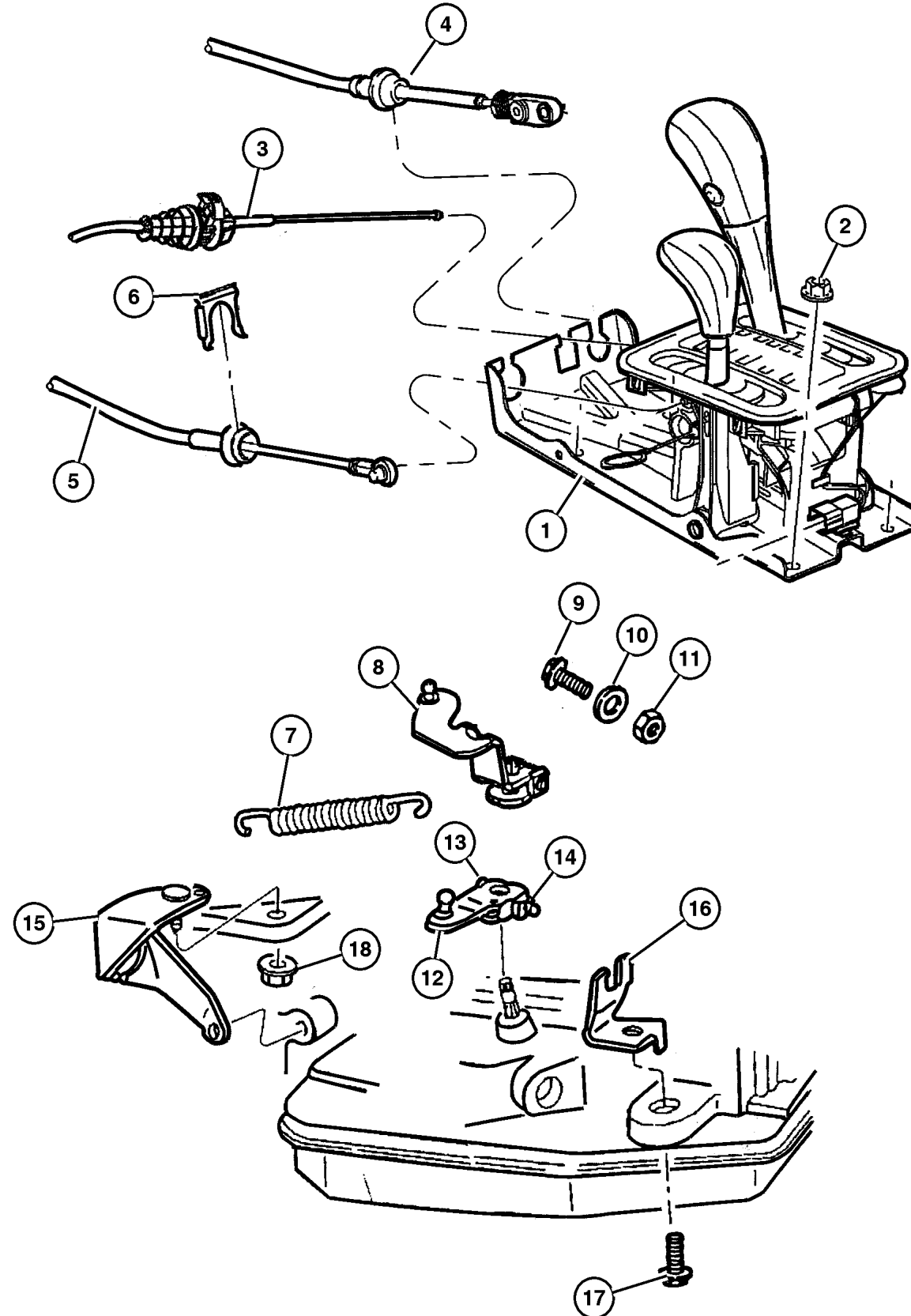
JEEP GRAND CHEROKEE (WJ)

SERIES	LINE	BODY	ENGINE	TRANSMISSION
H=Laredo	J = 4WD	74 = 4 Door(105.9 WB)	ER0, ERH = 4.0L, Power Tech I-6	DGK = 4 Speed Autm, 42RE
P=Limited	T = 2WD		EVO, EVA = 4.7L, Power Tech V8	DGW = 4 Speed Automatic, -44RE
	U = 4WD (RHD)		EXA, EX0 = 3.1L, 5 Cyl Turbo Diesel	DG4 = Multi Speed Automatic, -45RFE
				DGO = All Automatic

AR = Use as required - = Non illustrated part # = New this model year

April 3, 2002

**Gearshift Controls 44RE [DGW]
Figure 44RE-1210**



ITEM	PART NUMBER	QTY	LINE	SERIES	ENGINE	TRANS	DESCRIPTION
NOTES: Sales Codes und in the VIN number							
[DGK] = 42RE 4 Speed Automatic Transmissions und in the VIN number							
[DG0] = All Automatic Transmission und in the VIN number							
[DGW]= 44RE 4 Speed Automatic Transmission und in the VIN number							
[ER0] = All 4.0L 6 Cylinder Gas Engines und in the VIN number							
[EX0] = All 3.0/3.1L Turbo Diesel Engine und in the VIN number							
1							HOUSING AND LEVER, Shifter
	5210 4152	1	U			DG0	Right
	52104 375AA	1	U			DG0	w/DSB, Right
	5210 4149	1	J			DG0	
	52104 374AA	1	J			DG0	With/DSB
	5210 4147	1	T			DG0	Two Wheel Drive
	#52104 147AB	1	T			DG0	
2	6101 695	4					NUT, Hex Flange Lock, M8x1.25
3	5210 4054	1				DG0	CABLE, Park Interlock
4	5210 4218	1	J, U			DG0	CABLE, Gearshift Control
5	5210 4060	1				DG0	CABLE, Gearshift Control, Transfer Case
6	4269 830	2	J, U				CLIP, Cable
7	5300 9055	1				DGK, DGW	SPRING, Throttle Valve Return
8	3681 227	1	J, U			DGW	LEVER, Throttle Valve
9	0181 065	1			ER0, EX0		BOLT, Hex Head, .25-20x1.00
10	0138 165	1			ER0, EX0		WASHER, Lock
11	J012 0375	1			ER0, EX0		NUT, Hex, .250-20
12	52104 276AA	1				DGW	LEVER, Manual Control
13	0180 034	1				DGW	SCREW AND WASHER, Hex Head, .25-20x1.50
14	0115 984	1				DGW	NUT, Brake Line
15	52104 275AA	1				DGW	BRACKET, Shift Cable
16	5207 8867	1			ER0, EX0		BRACKET, Cable
17	0181 112	1				DGK, DGW	SCREW AND WASHER, .375-16x1.00
18	6028 114	1				DGK, DGW	NUT, Hex, .437-14

JEEP GRAND CHEROKEE (WJ)

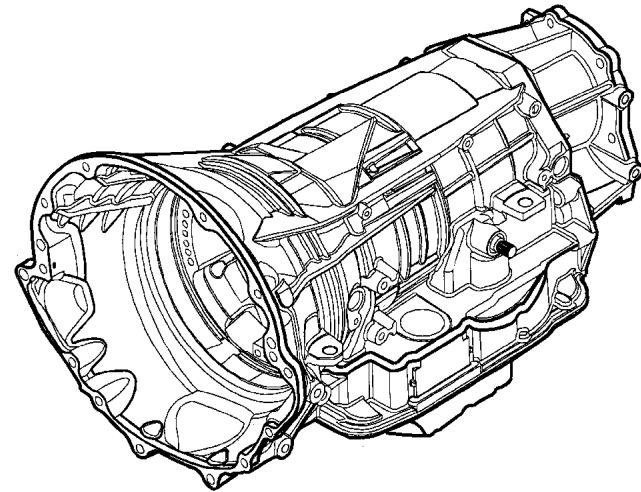
SERIES	LINE	BODY	ENGINE	TRANSMISSION
H=Laredo	J = 4WD	74 = 4 Door(105.9 WB)	ER0, ERH = 4.0L, Power Tech I-6	DGK = 4 Speed Autm, 42RE
P=Limited	T = 2WD		EVA, EVA = 4.7L, Power Tech V8	DGW = 4 Speed Automatic, -44RE
	U = 4WD (RHD)		EXA, EX0 = 3.1L, 5 Cyl Turbo Diesel	DG4 = Multi Speed Automatic, -45RFE
				DGO = All Automatic

AR = Use as required - = Non illustrated part # = New this model year

April 3, 2002

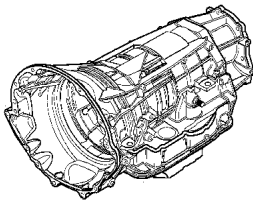
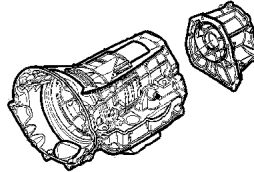
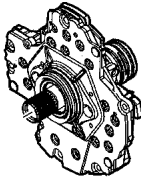
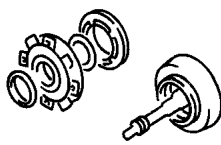
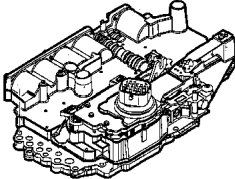
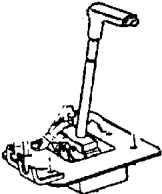
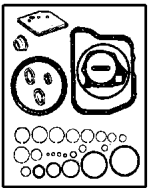
Group – 45RFE

Automatic Transmission Multi-Speed



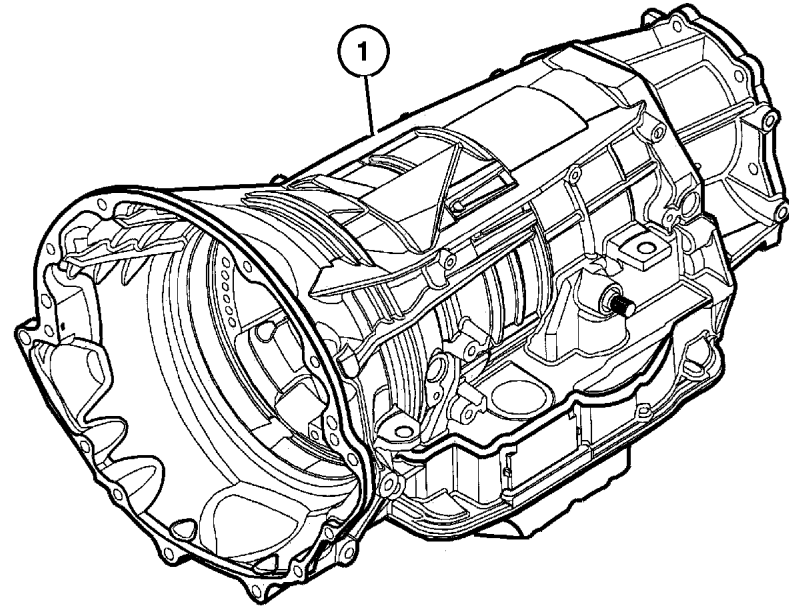
GROUP 45RFE - Automatic Transmission Multi-Speed

Illustration Title	Group-Fig. No.
Transmission Assembly	
Transmission 45RFE [DG4]	Fig. 45RFE-110
Case and Extension	
Case and Related Parts 45RFE [DG4]	Fig. 45RFE-210
Adapter 45RFE [DG4]	Fig. 45RFE-220
Oil Pump	
Oil Pump 45RFE [DG4]	Fig. 45RFE-310
Gear Train	
Input Shaft 45RFE [DG4]	Fig. 45RFE-410
Underdrive 45RFE [DG4]	Fig. 45RFE-420
Overdrive 45RFE [DG4]	Fig. 45RFE-430
2/4 Clutch Retainer 45RFE [DG4]	Fig. 45RFE-440
Input/Reverse Planetary 45RFE [DG4]	Fig. 45RFE-450
Reaction Annulus/Sun Gear 45RFE [DG4]	Fig. 45RFE-460
Valve Body	
Valve Body 45RFE [DG4]	Fig. 45RFE-710
Parking Sprag 45RFE [DG4]	Fig. 45RFE-730
Gearshift Controls	
Gearshift Controls 45RFE [DG4]	Fig. 45RFE-1210
Seal and Shim Packages	
LR Clutch 45RFE [DG4]	Fig. 45RFE-1302
Input Clutch Plate 45RFE [DG4]	Fig. 45RFE-1303
O/H 45RFE [DG4]	Fig. 45RFE-1304
Input Clutch 45RFE [DG4]	Fig. 45RFE-1305
Planetary Plate 45RFE [DG4]	Fig. 45RFE-1306
2&4 Clutch [DG4] 45RFE	Fig. 45RFE-1310

45RFE-100 Transmission Assembly 	45RFE-200 Case and Extension 	45RFE-300 Oil Pump 	45RFE-400 Gear Train 
45RFE-700 Valve Body 	45RFE-1200 Gearshift Controls 	45RFE-1300 Seal and Shim Packages 	

Transmission 45RFE [DG4]
Figure 45RFE-110

ITEM	PART NUMBER	QTY	LINE	SERIES	ENGINE	TRANS	DESCRIPTION
NOTES: Sales Codes und in the VIN number							
[DG4] = 45RFE Multi Speed Automatic Transmission und in the VIN number							
1							TRANSMISSION KIT, Automatic
	5014 218AA	1	J, U			DG4	52119099 Transmission Includes Converter.
	#5015 266AA	1	T			DG4	52119098



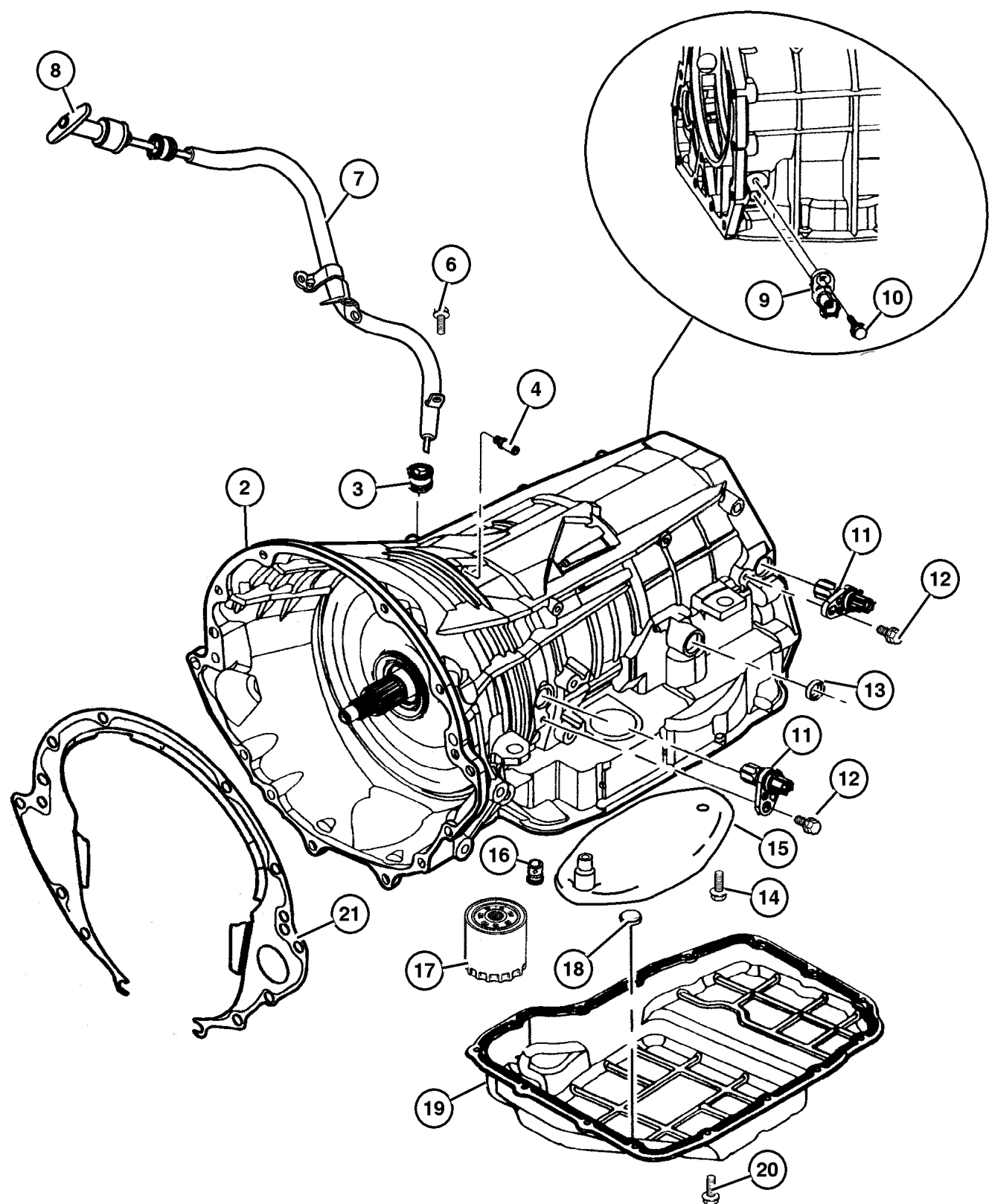
JEEP GRAND CHEROKEE (WJ)

SERIES	LINE	BODY	ENGINE	TRANSMISSION
H=Laredo	J = 4WD	74 = 4 Door(105.9 WB)	ER0, ERH = 4.0L, Power Tech I-6	DGK = 4 Speed Autm, 42RE
P=Limited	T = 2WD		EV0, EVA = 4.7L, Power Tech V8	DGW = 4 Speed Automatic, -44RE
	U = 4WD (RHD)		EXA, EX0 = 3.1L, 5 Cyl Turbo Diesel	DG4 = Multi Speed Automatic, -45RFE
				DGO = All Automatic

AR = Use as required - = Non illustrated part # = New this model year

April 3, 2002

**Case and Related Parts 45RFE [DG4]
Figure 45RFE-210**



ITEM	PART NUMBER	QTY	LINE	SERIES	ENGINE	TRANS	DESCRIPTION
NOTES: Sales Codes und in the VIN number							
[DG4]= 45RFE Multi Speed Automatic Transmission und in the VIN number							
[DG0] = All Automatic Transmission und in the VIN number							
[EV0] = All 4.7L Gas Engines und in the VIN number							
-1							OVERHAUL PACKAGE, Transmission
	#5014 221AD	1	J, U			DG4	52119099
		1	T			DG4	52119098
2							CASE, Transmission
	4799 613	1	J, U			DG4	52119099
		1	T			DG4	52119098
3							GROMMET
	4810 021	1	J, U			DG4	52119099
		1	T			DG4	52119098
4							VENT, Transmission
	4799 861AA	1	J, U			DG4	52119099
		1	T			DG4	52119098
-5	5210 4212	1				DG4	TUBE, Vent
6	6501 979	1				DG4	SCREW AND WASHER, Hex Head, M6x1x17
7	5210 4134	1			EV0	DG4	TUBE, Transmission Oil Filler
8	5210 4137	1				DG4	INDICATOR, Transmission Fluid Level
9							TRANSDUCER, Pressure Sensor
	4799 758	1	J, U			DG4	52119099
		1	T			DG4	52119098
10							BOLT, M6x1.00x20
	6101 331	1	J, U			DG4	52119099
		1	T			DG4	52119098
11							SENSOR, Transmission Output Speed
	4799 061	2	J, U			DG4	Input & Output Speed Sensor
		2	T			DG4	Input & Output Speed Sensor
12							BOLT, M6x1.00x20
	6101 331	2	J, U			DG4	52119099
		2	T			DG4	52119098
13							SEAL
	4799 346	1	J, U			DG4	52119099
		1	T			DG4	52119098
14							SCREW, Pan Head, M5 x 0.8 x 12.60
	6503 232	2	J, U			DG4	52119099
		2	T			DG4	52119098
15							FILTER PACKAGE, Transmission Oil
	#5013 470AC	1	J, U			DG4	
	#5015 267AC	1	T			DG4	
16							VALVE, Flow Control

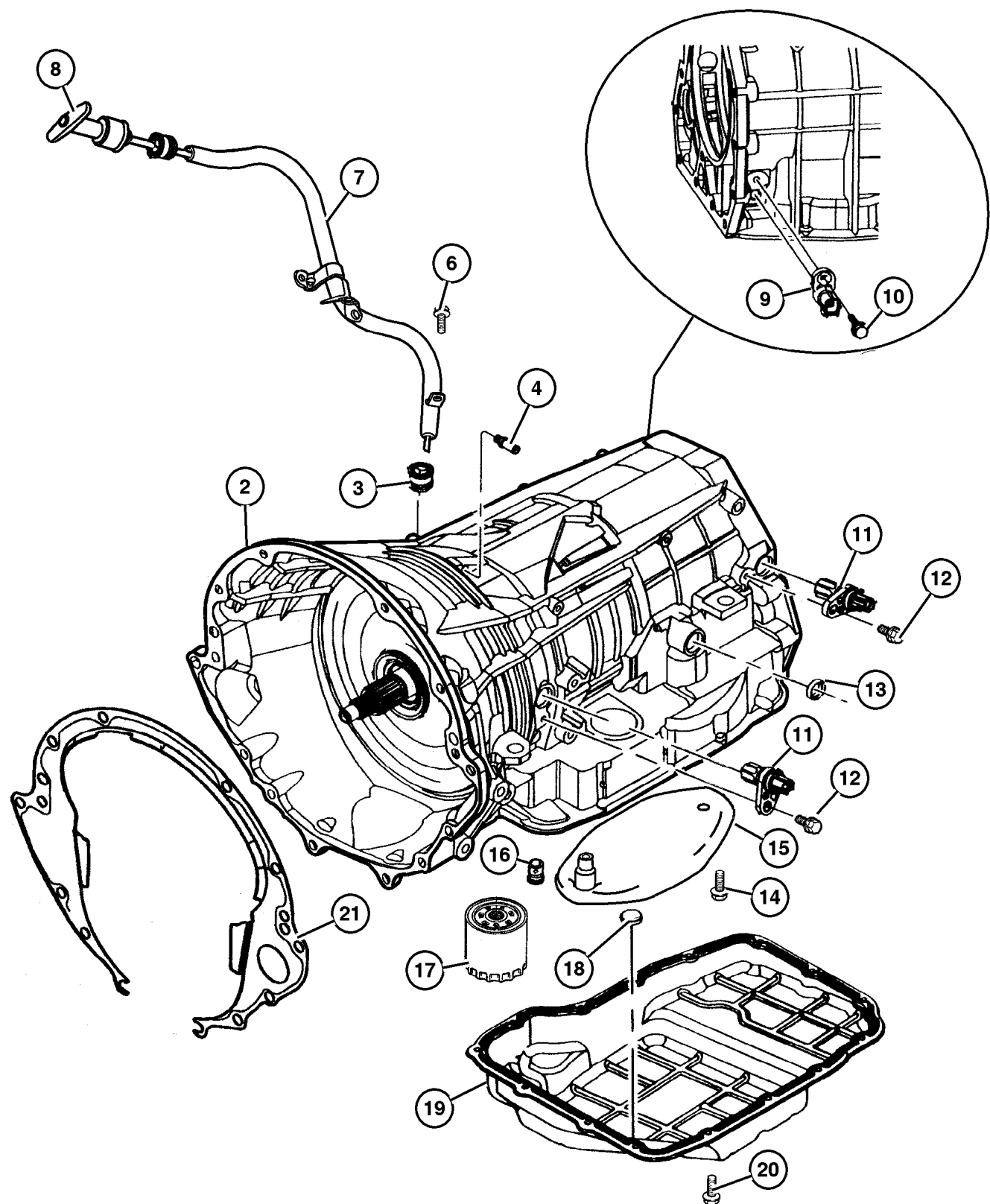
JEEP GRAND CHEROKEE (WJ)

SERIES	LINE	BODY	ENGINE	TRANSMISSION
H=Laredo	J = 4WD	74 = 4 Door(105.9 WB)	ER0, ERH = 4.0L, Power Tech I-6	DGK = 4 Speed Autm, 42RE
P=Limited	T = 2WD		EV0, EVA = 4.7L, Power Tech V8	DGW = 4 Speed Automatic, -44RE
	U = 4WD (RHD)		EXA, EX0 = 3.1L, 5 Cyl Turbo Diesel	DG4 = Multi Speed Automatic, -45RFE
				DGO = All Automatic

AR = Use as required - = Non illustrated part # = New this model year

April 3, 2002

Case and Related Parts 45RFE [DG4]
Figure 45RFE-210



ITEM	PART NUMBER	QTY	LINE	SERIES	ENGINE	TRANS	DESCRIPTION
	4799 681	1	J, U			DG4	52119099
		1	T			DG4	52119098
17	4799 662	1	J, U			DG4	FILTER, Transmission Oil
		1	T			DG4	52119098
18							MAGNET, Transmission
	4446 728	1	J, U			DG4	52119099
		1	T			DG4	52119098
19							PAN, Transmission Oil
	5013 681AA	1	J, U			DG4	52119099
	#4800 078AA	1	T			DG4	52119098
20							SCREW
	6101 221	15	J, U			DG4	52119099
		15	T			DG4	52119098
21	5210 4133	1				DG4	COVER, Transmission Dust
-22							NUT, Transmission Case
	4799 433AB	2	T			DG4	
		2	J, U			DG4	

JEEP GRAND CHEROKEE (WJ)

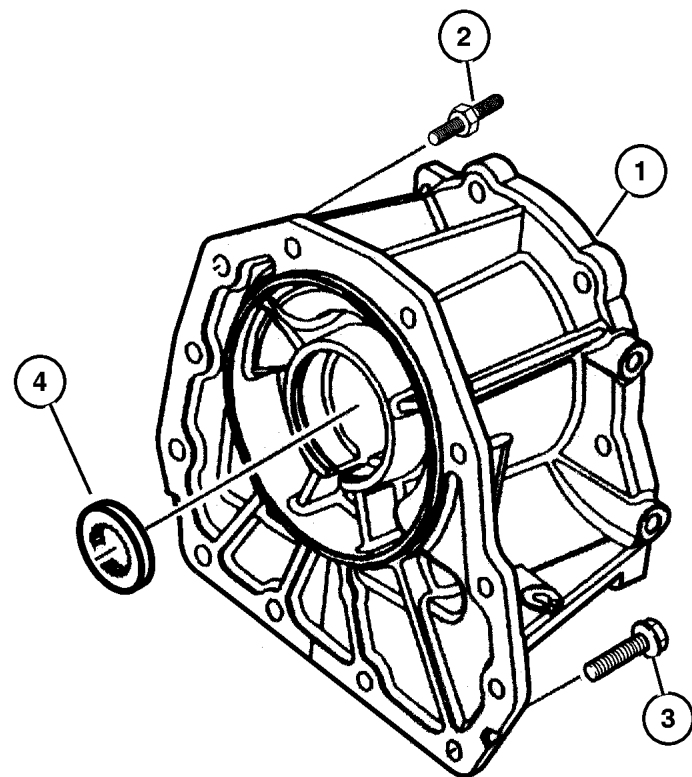
SERIES	LINE	BODY	ENGINE	TRANSMISSION
H=Laredo	J = 4WD	74 = 4 Door(105.9 WB)	ER0, ERH = 4.0L, Power Tech I-6	DGK = 4 Speed Autm, 42RE
P=Limited	T = 2WD		EVO, EVA = 4.7L, Power Tech V8	DGW = 4 Speed Automatic, -44RE
	U = 4WD (RHD)		EXA, EX0 = 3.1L, 5 Cyl Turbo Diesel	DG4 = Multi Speed Automatic, -45RFE
				DGO = All Automatic

AR = Use as required - = Non illustrated part # = New this model year

April 3, 2002

**Adapter 45RFE [DG4]
Figure 45RFE-220**

ITEM	PART NUMBER	QTY	LINE	SERIES	ENGINE	TRANS	DESCRIPTION
NOTES: Sales Codes: und in the VIN number							
[DG4]= 45RFE Multi Speed Automatic Transmission und in the VIN number							
1	5209 8690	1	J, U			DG4	ADAPTER, Transfer Case, 52119099
2	6505 064AA	2	J, U			DG4	STUD, M10x1.5x62 52119099
		2	T			DG4	52119098
3	6504 774	10	J, U			DG4	SCREW AND WASHER, Hex Head, M10x1.5x37 52119099
		10	T			DG4	52119098
4	4167 929	1	J, U			DG4	SEAL, Input Gear, 52119099
-5	#4799 495	1	T			DG4	HOUSING, Transmission Rear Extension, 52119098



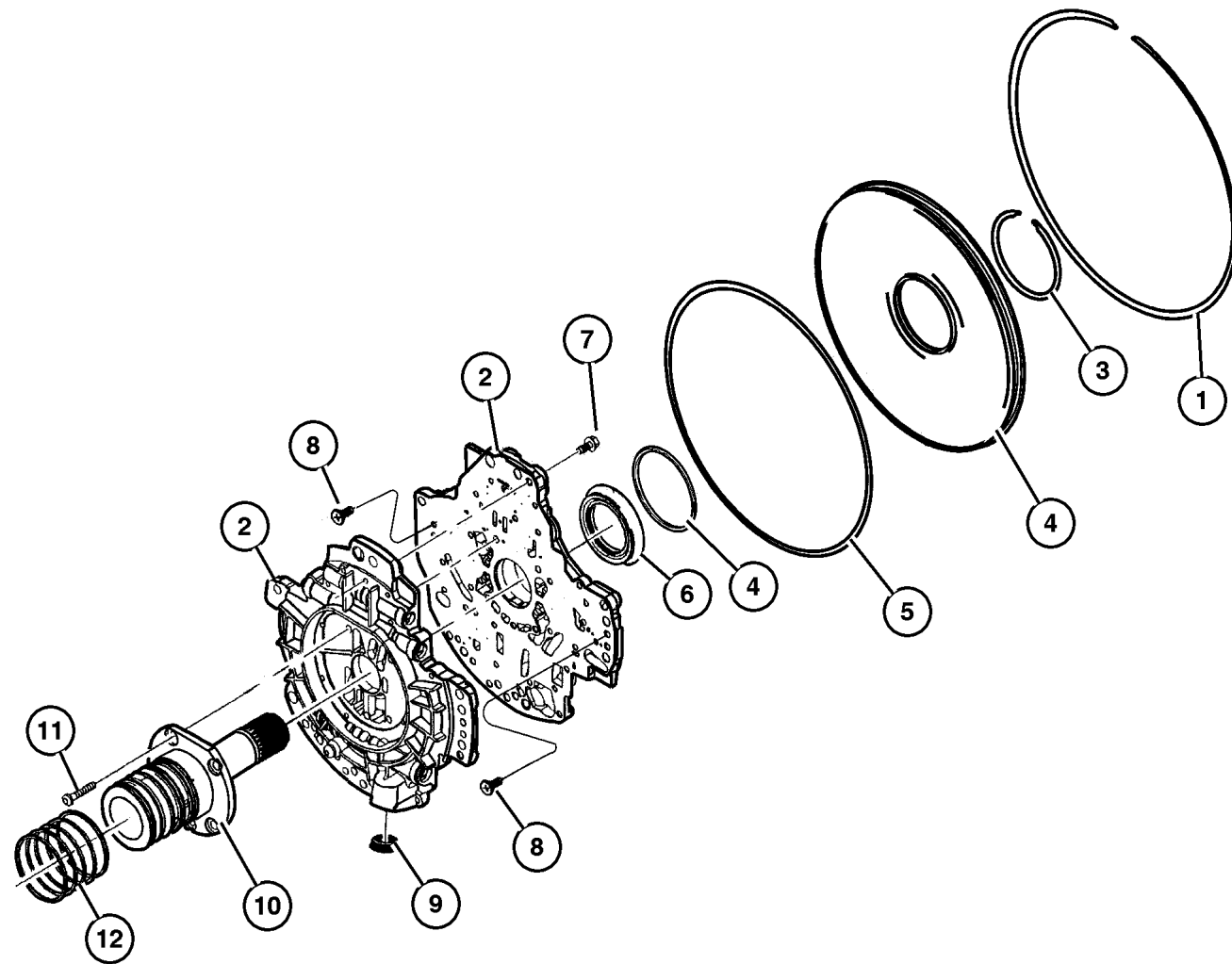
JEEP GRAND CHEROKEE (WJ)

SERIES	LINE	BODY	ENGINE	TRANSMISSION
H=Laredo	J = 4WD	74 = 4 Door(105.9 WB)	ER0, ERH = 4.0L, Power Tech I-6	DGK = 4 Speed Autm, 42RE
P=Limited	T = 2WD		EV0, EVA = 4.7L, Power Tech V8	DGW = 4 Speed Automatic, -44RE
	U = 4WD (RHD)		EXA, EX0 = 3.1L, 5 Cyl Turbo Diesel	DG4 = Multi Speed Automatic, -45RFE
				DGO = All Automatic

AR = Use as required - = Non illustrated part # = New this model year

April 3, 2002

Oil Pump 45RFE [DG4] Figure 45RFE-310



ITEM	PART NUMBER	QTY	LINE	SERIES	ENGINE	TRANS	DESCRIPTION
NOTES: Sales Codes und in the VIN number							
[DG4] = 45RFE Multi Speed Automatic Transmission und in the VIN number							
1							SNAP RING, Transmission
	4799 005	1	J, U			DG4	52119099
		1	T			DG4	52119098
2	5072 589AA	1	T			DG4	PUMP PACKAGE, Transmission
3							SNAP RING, Transmission
	4799 082	1	J, U			DG4	52119099
		1	T			DG4	52119098
4							COVER, Oil Pump
	4799 609	1	J, U			DG4	52119099
		1	T			DG4	52119098
5							O RING, Oil Pump, .
	4799 003	1	J, U			DG4	52119099
		1	T			DG4	52119098
6							SEAL, Transmission Oil Pump
	4617 919	1	J, U			DG4	52119099
		1	T			DG4	52119098
7							SCREW AND WASHER, Pan Head, M5x.8x25
	6500 215	24	J, U			DG4	52119099
		24	T			DG4	52119098
8							SCREW, Pan Head, M5 x 0.8 x 12.60
	6503 232	2	J, U			DG4	52119099
		2	T			DG4	52119098
9							SEAL, Oil Pump
	4799 964AA	1	J, U			DG4	52119099
		1	T			DG4	52119098
10							SUPPORT, Reaction Shaft
	4799 580AB	1	J, U			DG4	52119099
		1	T			DG4	52119098
11							SCREW, Button Head
	6504 661	5	J, U			DG4	52119099
		5	T			DG4	52119098
12							RING, Transmission
	4799 056	5	T			DG4	52119099
		5	J, U			DG4	52119098

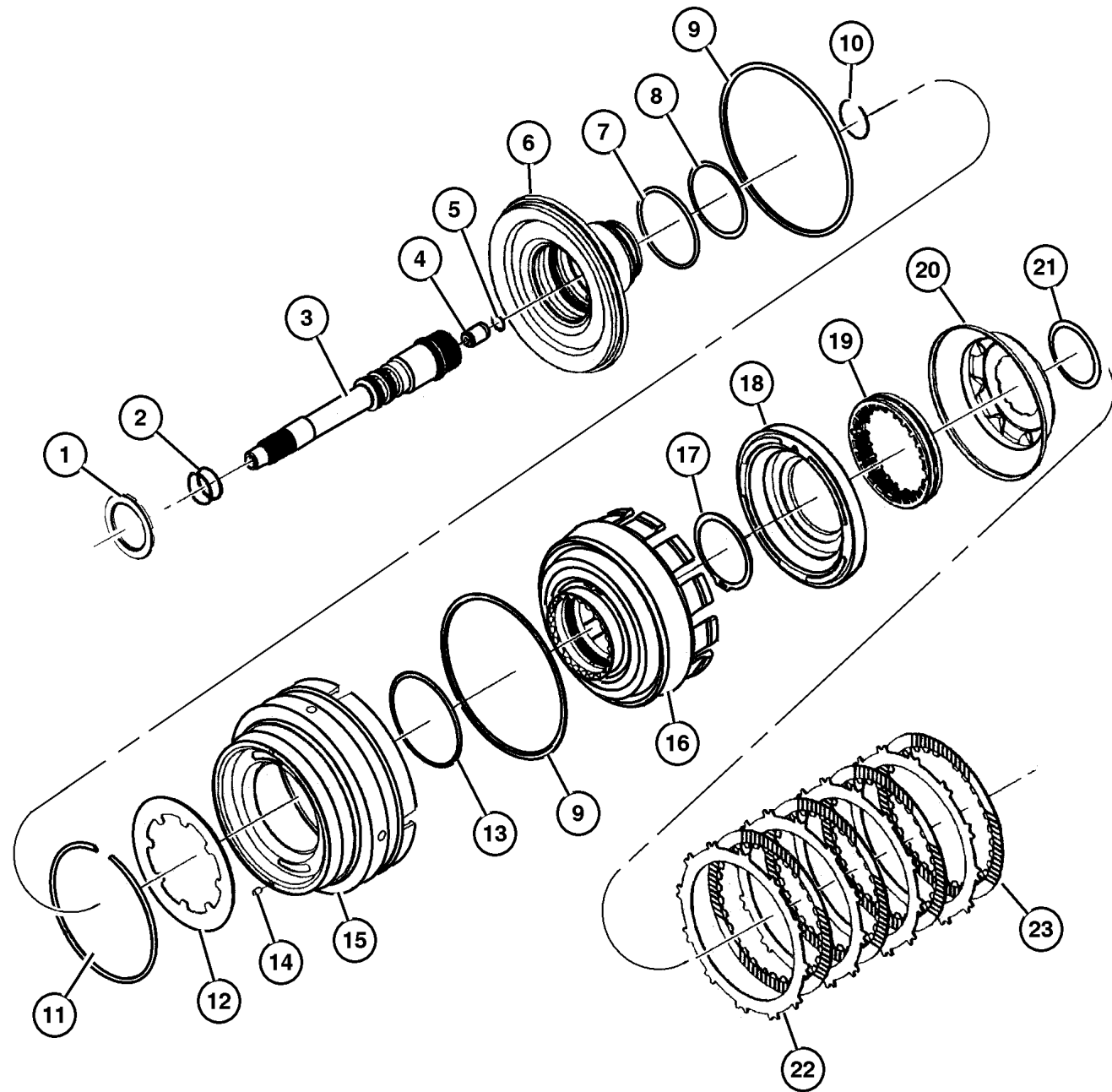
JEEP GRAND CHEROKEE (WJ)

SERIES	LINE	BODY	ENGINE	TRANSMISSION
H=Laredo	J = 4WD	74 = 4 Door(105.9 WB)	ER0, ERH = 4.0L, Power Tech I-6	DGK = 4 Speed Autm, 42RE
P=Limited	T = 2WD		EV0, EVA = 4.7L, Power Tech V8	DGW = 4 Speed Automatic, -44RE
	U = 4WD (RHD)		EXA, EX0 = 3.1L, 5 Cyl Turbo Diesel	DG4 = Multi Speed Automatic, -45RFE
				DGO = All Automatic

AR = Use as required - = Non illustrated part # = New this model year

April 3, 2002

**Input Shaft 45RFE [DG4]
Figure 45RFE-410**



ITEM	PART NUMBER	QTY	LINE	SERIES	ENGINE	TRANS	DESCRIPTION
NOTES: Sales Codes und in the VIN number							
[DG4] = 45RFE Multi Speed Automatic Transmission und in the VIN number							
1							THRUST BEARING, Needle Roller
	4799 469	1	J, U			DG4	52119099
		1	T			DG4	52119098
2							SEAL, Input Shaft, PKG 05013090AA
	4799 539	2	J, U			DG4	Package 0501309AA, 52119099
		2	T			DG4	Package 0501309AA, 52119098
3							SHAFT, Input
	4799 537	1	J, U			DG4	52119099
		1	T			DG4	52119098
4							CHECK VALVE, Transmission
	4799 974AA	1	J, U			DG4	52119099
		1	T			DG4	52119098
5							SNAP RING
	4799 978AA	1	J, U			DG4	52119099
		1	T			DG4	52119098
6							HUB, Input Clutch
	4799 536AC	1	J, U			DG4	52119099
		1	T			DG4	52119098
7							O RING, Transmission Clutch, PKG 05013090AA
	4799 073	1	J, U			DG4	Package 0501309AA, 52119099
		1	T			DG4	Package 0501309AA, 52119098
8							O RING, Transmission Clutch, PKG 05013090AA
	4799 755	1	J, U			DG4	Package 0501309AA, 52119099
		1	T			DG4	Package 0501309AA, 52119098
9							SEAL, Input
	4799 090	1	J, U			DG4	52119099
		1	T			DG4	52119098
10							SNAP RING, Input Shaft
	4799 538	1	J, U			DG4	52119099
		1	T			DG4	52119098
11							SNAP RING, Transmission
	4799 088	1	J, U			DG4	52119099
		1	T			DG4	52119098
12							SPRING, Piston Return
	4799 087	1	J, U			DG4	52119099
		1	T			DG4	52119098
13							O RING, Reverse & O/Drive Clutch Piston, Transmission, PKG 05013090AA
	4799 089	1	J, U			DG4	Package 0501309AA, 52119099
		1	T			DG4	Package 0501309AA, 52119098
14							FILTER, Reverse And O/D Clutch

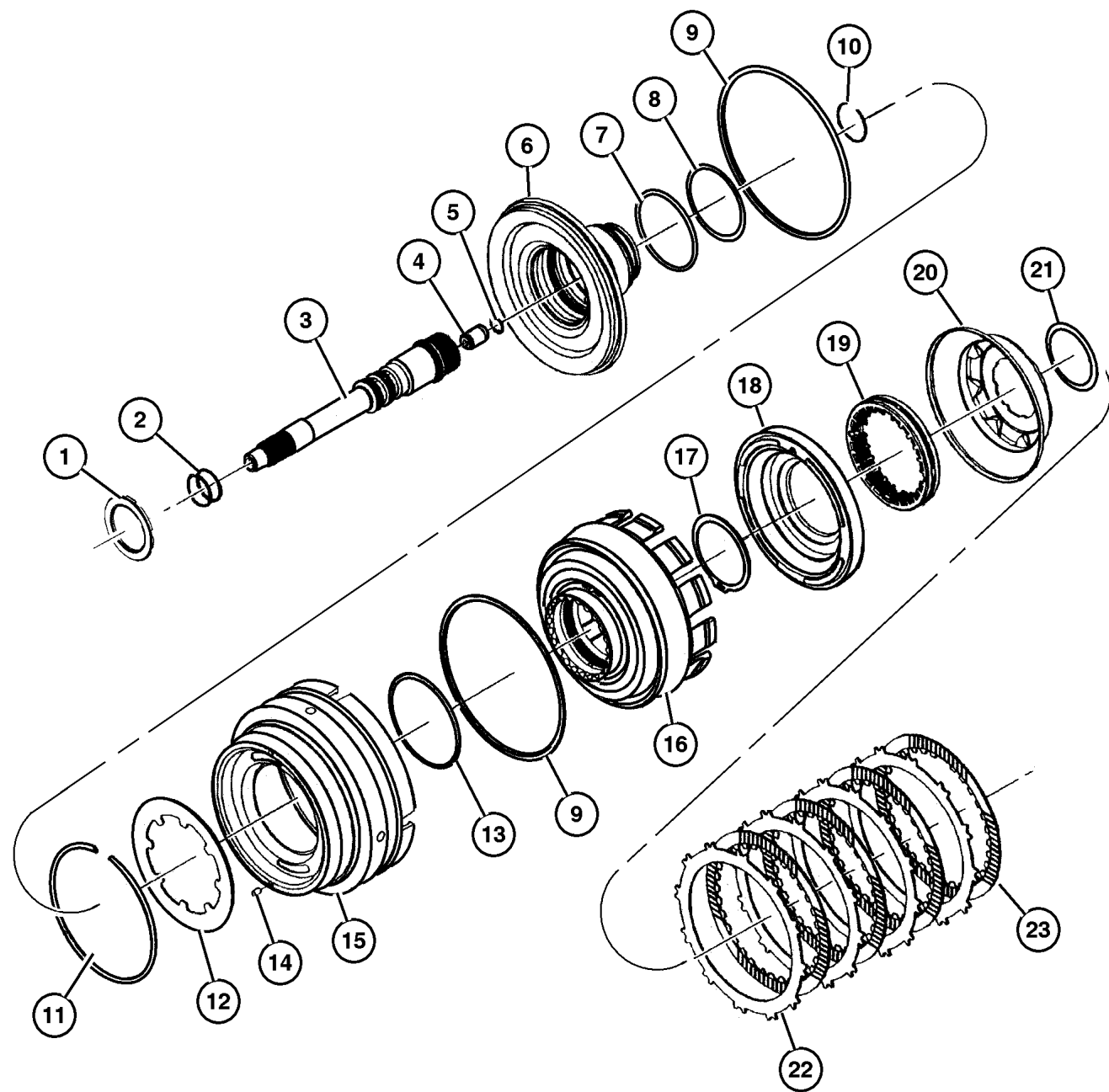
JEEP GRAND CHEROKEE (WJ)

SERIES	LINE	BODY	ENGINE	TRANSMISSION
H=Laredo	J = 4WD	74 = 4 Door(105.9 WB)	ER0, ERH = 4.0L, Power Tech I-6	DGK = 4 Speed Autm, 42RE
P=Limited	T = 2WD		EV0, EVA = 4.7L, Power Tech V8	DGW = 4 Speed Automatic, -44RE
	U = 4WD (RHD)		EXA, EX0 = 3.1L, 5 Cyl Turbo Diesel	DG4 = Multi Speed Automatic, -45RFE
				DGO = All Automatic

AR = Use as required - = Non illustrated part # = New this model year

April 3, 2002

**Input Shaft 45RFE [DG4]
Figure 45RFE-410**



ITEM	PART NUMBER	QTY	LINE	SERIES	ENGINE	TRANS	DESCRIPTION
	4531 903	1	J, U			DG4	52119099
		1	T			DG4	52119098
15	4799 645	1	J, U			DG4	PISTON, Reverse and Overdrive 52119099
		1	T			DG4	52119098
16	4799 648	1	J, U			DG4	RETAINER, Transmission Input Clutch 52119099
		1	T			DG4	52119098
17							SNAP RING
	4799 247	1	J, U			DG4	52119099
		1	T			DG4	52119098
18	4799 650	1	J, U			DG4	PISTON, Underdrive 52119099
		1	T			DG4	52119098
19	4799 101	1	J, U			DG4	SPRING, Undredrive Piston, PKG 05013090AA Package 0501309AA, 52119099
		1	T			DG4	Package 0501309AA, 52119098
20	4799 652	1	J, U			DG4	PISTON, Underdrive Package 0501309AA, 52119099
		1	T			DG4	Package 0501309AA, 52119098
21	4799 103	1	J, U			DG4	SNAP RING, Transmission, PKG 05013090AA Package 0501309AA, 52119099
		1	T			DG4	Package 0501309AA, 52119098
22							PLATE, PKG 05013090AA, (NOT SERVICED)
23							DISC, Clutch, PKG 05013090AA, (NOT SERVICED)

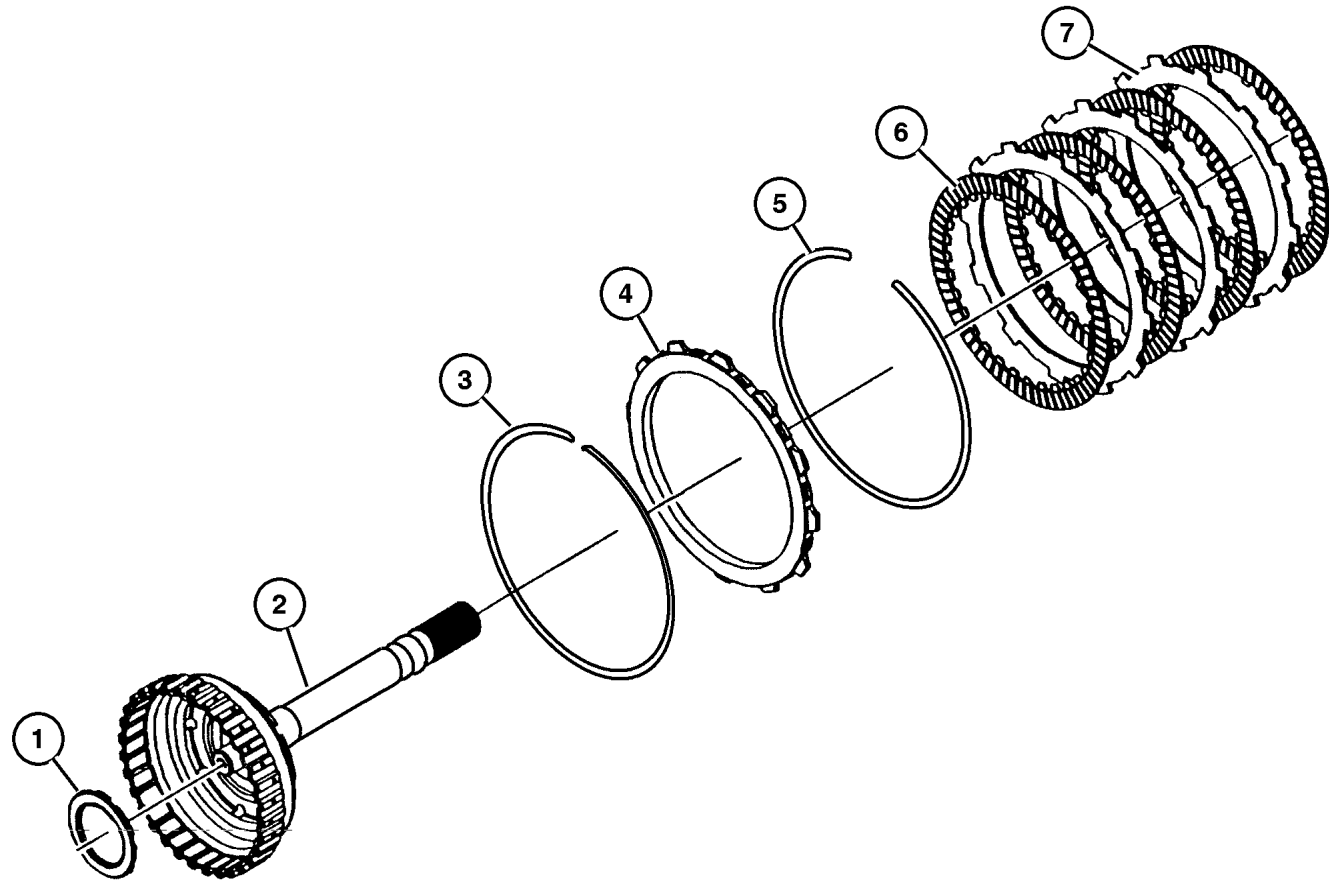
JEEP GRAND CHEROKEE (WJ)

SERIES	LINE	BODY	ENGINE	TRANSMISSION
H=Laredo	J = 4WD	74 = 4 Door(105.9 WB)	ER0, ERH = 4.0L, Power Tech I-6	DGK = 4 Speed Autm, 42RE
P=Limited	T = 2WD		EV0, EVA = 4.7L, Power Tech V8	DGW = 4 Speed Automatic, -44RE
	U = 4WD (RHD)		EXA, EX0 = 3.1L, 5 Cyl Turbo Diesel	DG4 = Multi Speed Automatic, -45RFE
				DGO = All Automatic

AR = Use as required - = Non illustrated part # = New this model year

April 3, 2002

**Underdrive 45RFE [DG4]
Figure 45RFE-420**



ITEM	PART NUMBER	QTY	LINE	SERIES	ENGINE	TRANS	DESCRIPTION
NOTES: Sales Codes und in the VIN number							
[DG4] = 45RFE Multi Speed Automatic Transmission und in the VIN number							
1							THRUST BEARING, Needle Roller
	4799 469	1	J, U			DG4	52119099
		1	T			DG4	52119098
2							HUB AND SHAFT, Underdrive Clutch
	4799 546	1	J, U			DG4	52119099
		1	T			DG4	52119098
3							SNAP RING, Transmission
	4799 760	1	J, U			DG4	52119099
		1	T			DG4	52119098
4							PLATE, Transmission Clutch Reaction
	4799 107AB	AR	J, U			DG4	7.06/7.16, 52119099
		AR	T			DG4	7.06/7.16, 52119098
	4799 108AB	AR	J, U			DG4	3.05/3.21, 52119099
		AR	T			DG4	3.05/3.21, 52119098
	4799 109AB	AR	J, U			DG4	3.60/3.37, 52119099
		AR	T			DG4	3.60/3.37, 52119098
5							SNAP RING, PKG 05013090AA, (NOT SERVICED)
6							DISC, Clutch, PKG 05013090AA, (NOT SERVICED)
7							PLATE, PKG 05013090AA, (NOT SERVICED)

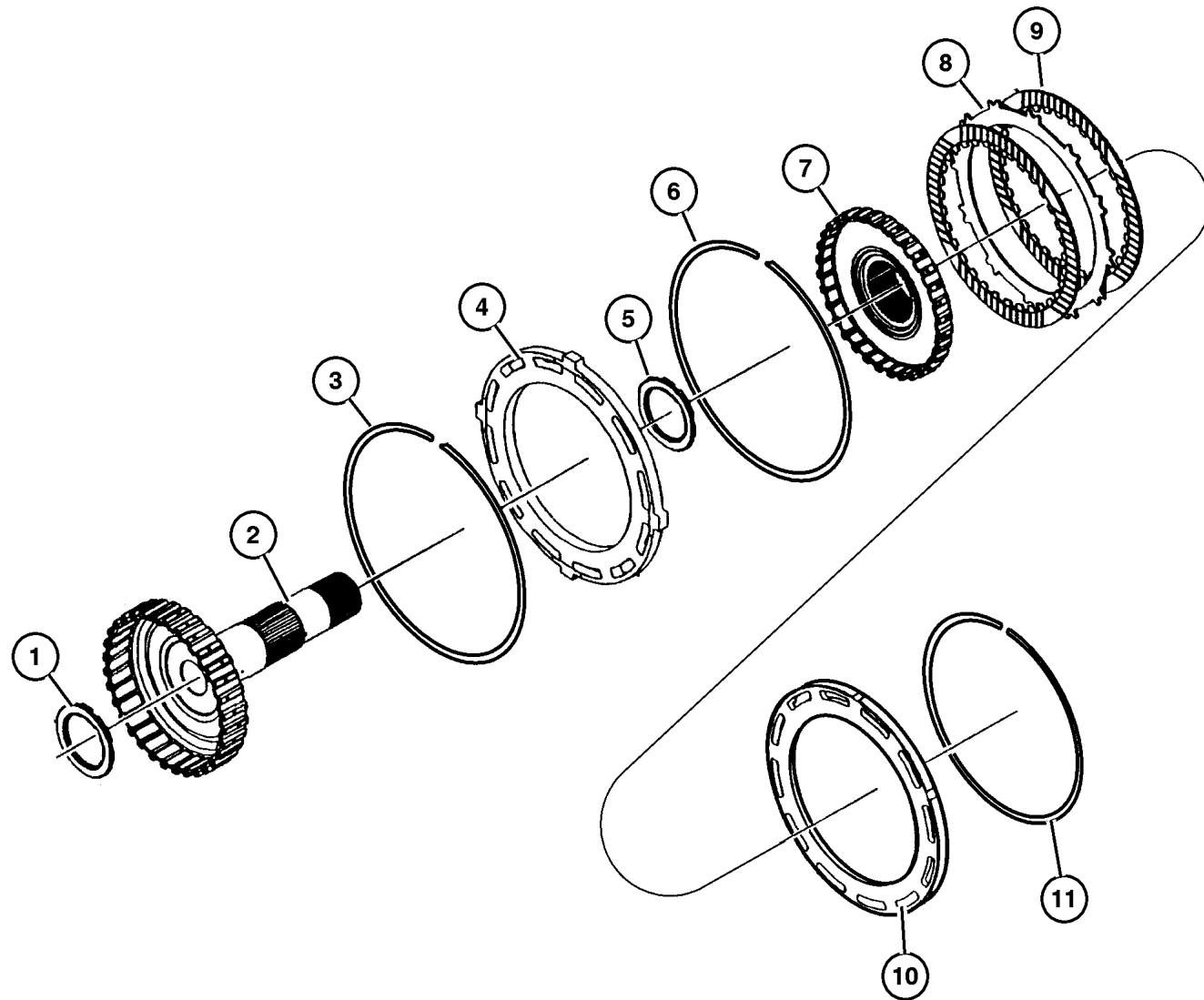
JEEP GRAND CHEROKEE (WJ)

SERIES	LINE	BODY	ENGINE	TRANSMISSION
H=Laredo	J = 4WD	74 = 4 Door(105.9 WB)	ER0, ERH = 4.0L, Power Tech I-6	DGK = 4 Speed Autm, 42RE
P=Limited	T = 2WD		EV0, EVA = 4.7L, Power Tech V8	DGW = 4 Speed Automatic, -44RE
	U = 4WD (RHD)		EXA, EX0 = 3.1L, 5 Cyl Turbo Diesel	DG4 = Multi Speed Automatic, -45RFE
				DGO = All Automatic

AR = Use as required - = Non illustrated part # = New this model year

April 3, 2002

Overdrive 45RFE [DG4]
Figure 45RFE-430



ITEM	PART NUMBER	QTY	LINE	SERIES	ENGINE	TRANS	DESCRIPTION
NOTES: Sales Codes und in the VIN number							
[DG4] = 45RFE Multi Speed Automatic Transmission und in the VIN number							
1							THRUST BEARING, Needle Roller
	4799 469	1	J, U			DG4	52119099
		1	T			DG4	52119098
2							HUB AND SHAFT, Overdrive Clutch
	4799 550	1	J, U			DG4	52119099
		1	T			DG4	52119098
3							SNAP RING, Overdrive Clutch
	4799 118	1	J, U			DG4	52119099
		1	T			DG4	52119098
4							PLATE, Clutch Pressure
	4799 116	1	J, U			DG4	52119099
		1	T			DG4	52119098
5							THRUST BEARING, Needle Roller
	4799 469	1	J, U			DG4	52119099
		1	T			DG4	52119098
6							SNAP RING, Transmission
	4799 117	1	J, U			DG4	52119099
		1	T			DG4	52119098
7							HUB AND SHAFT, Reverse Clutch
	4799 556	1	J, U			DG4	52119099
		1	T			DG4	52119098
8							PLATE, PKG 05013090AA, (NOT SERVICED)
9							DISC, Clutch, PKG 05013090AA, (NOT SERVICED)
10							PLATE, Transmission Clutch Reaction
	4799 121	1	J, U			DG4	52119099
		1	T			DG4	52119098
11							SNAP RING, PKG 05013090AA, (NOT SERVICED)

JEEP GRAND CHEROKEE (WJ)

SERIES	LINE	BODY	ENGINE	TRANSMISSION
H=Laredo	J = 4WD	74 = 4 Door(105.9 WB)	ER0, ERH = 4.0L, Power Tech I-6	DGK = 4 Speed Autm, 42RE
P=Limited	T = 2WD		EV0, EVA = 4.7L, Power Tech V8	DGW = 4 Speed Automatic, -44RE
	U = 4WD (RHD)		EXA, EX0 = 3.1L, 5 Cyl Turbo Diesel	DG4 = Multi Speed Automatic, -45RFE
				DGO = All Automatic

AR = Use as required - = Non illustrated part # = New this model year

April 3, 2002

**2/4 Clutch Retainer 45RFE [DG4]
Figure 45RFE-440**

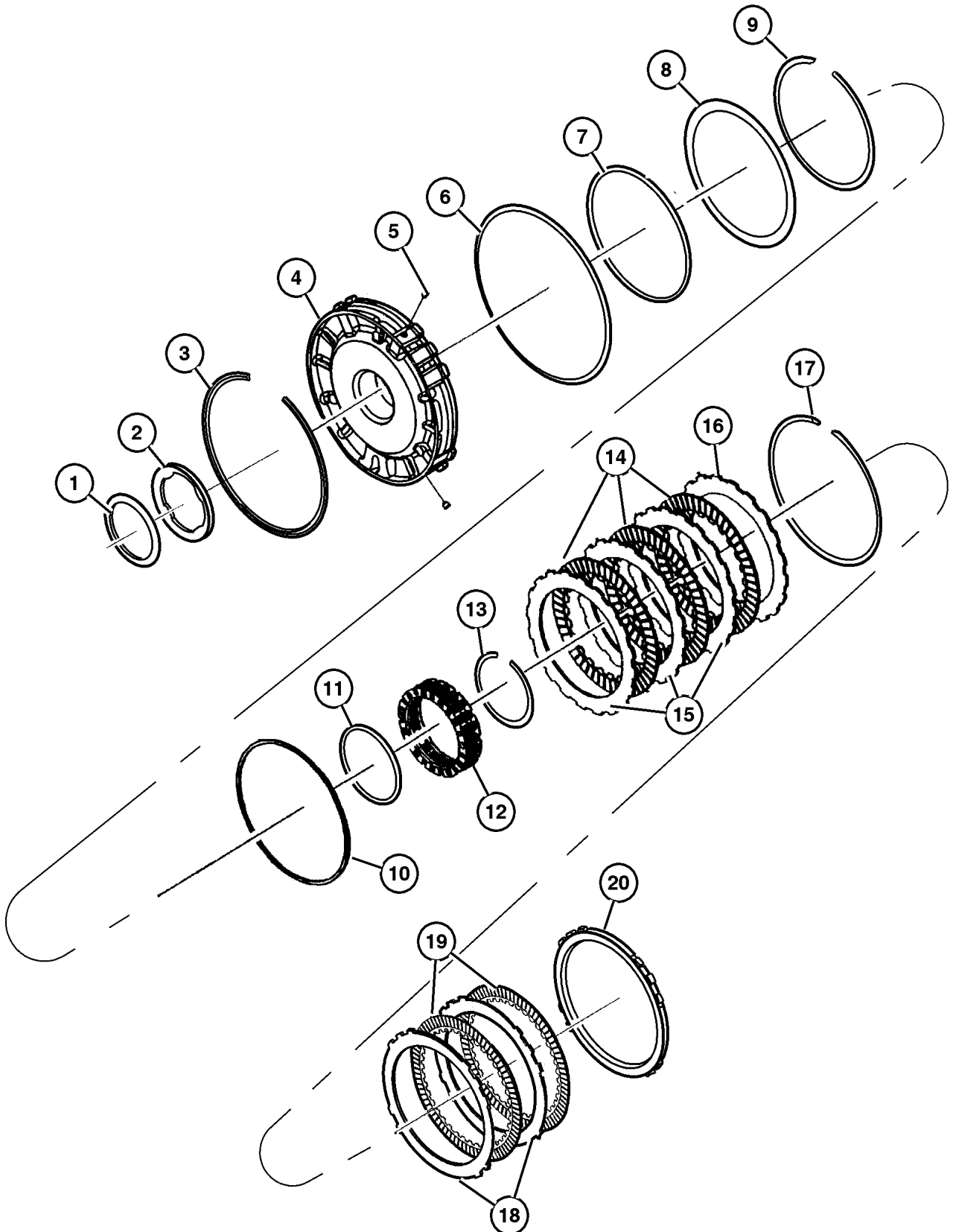
ITEM	PART NUMBER	QTY	LINE	SERIES	ENGINE	TRANS	DESCRIPTION
NOTES: Sales Codes und in the VIN number							
[DG4] = 45RFE Multi Speed Automatic Transmission und in the VIN number							
1							THRUST BEARING, Needle Roller
	4799 936AB	1	J, U			DG4	52119099
		1	T			DG4	52119098
2							PLATE, Clutch Hub Thrust, PKG 05013093AB, (NOT SERVICED)
3							SNAP RING, Transmission
	4799 680	1	J, U			DG4	52119099
		1	T			DG4	52119098
4							RETAINER, Transmission 2nd and 4th Clutch Piston
	4799 498	1	J, U			DG4	52119099
		1	T			DG4	52119098
5							BLEED ORIFICE, Transmission
	4799 086	2	J, U			DG4	52119099
		2	T			DG4	52119098
6							SNAP RING, Transmission
	4799 174	1	J, U			DG4	52119099
		1	T			DG4	52119098
7							RING, PKG 05013093AB, (NOT SERVICED)
8							SPRING, 2nd And 4th Clutch Piston
	4799 521	1	J, U			DG4	52119099
		1	T			DG4	52119098
9							SNAP RING, Transmission
	4799 522AB	1	J, U			DG4	52119099
		1	T			DG4	52119098
10							RING, PKG 05013093AB, (NOT SERVICED)
11							RING, PKG 05013093AB, (NOT SERVICED)
12							SPRING, 2nd And 4th Clutch Piston
	4799 527	1	J, U			DG4	52119099
		1	T			DG4	52119098
13							SNAP RING, Transmission
	4799 528AB	1	J, U			DG4	52119099
		1	T			DG4	52119098
14							DISC, Clutch, PKG 05013087AA, (NOT SERVICED)
15							PLATE, Clutch Separator, PKG 05013087AA, (NOT SERVICED)
16							PLATE, Transmission Clutch Reaction
	4799 533	1	J, U			DG4	52119099
		1	T			DG4	52119098
17							SNAP RING, Transmission, PKG 05013087AA, (NOT SERVICED)
18							PLATE, PKG 05013087AA, (NOT SERVICED)

JEEP GRAND CHEROKEE (WJ)

SERIES	LINE	BODY	ENGINE	TRANSMISSION
H=Laredo	J = 4WD	74 = 4 Door(105.9 WB)	ER0, ERH = 4.0L, Power Tech I-6	DGK = 4 Speed Autm, 42RE
P=Limited	T = 2WD		EV0, EVA = 4.7L, Power Tech V8	DGW = 4 Speed Automatic, -44RE
	U = 4WD (RHD)		EXA, EX0 = 3.1L, 5 Cyl Turbo Diesel	DG4 = Multi Speed Automatic, -45RFE
				DGO = All Automatic

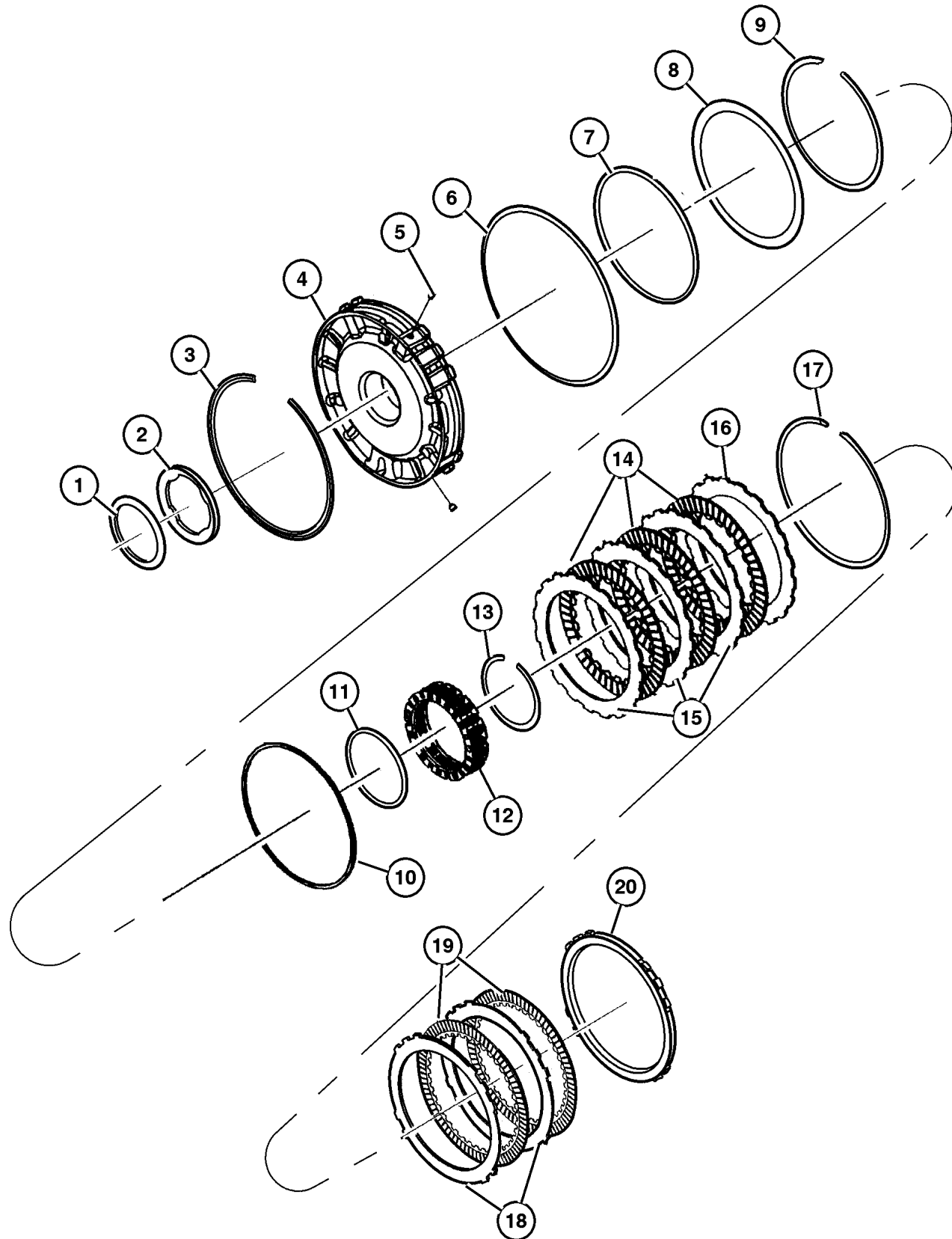
AR = Use as required - = Non illustrated part # = New this model year

April 3, 2002



2/4 Clutch Retainer 45RFE [DG4]
Figure 45RFE-440

ITEM	PART NUMBER	QTY	LINE	SERIES	ENGINE	TRANS	DESCRIPTION
19							DISC, Clutch, PKG 05013087AA, (NOT SERVICED)
20							PLATE, PKG 05013087AA, (NOT SERVICED)



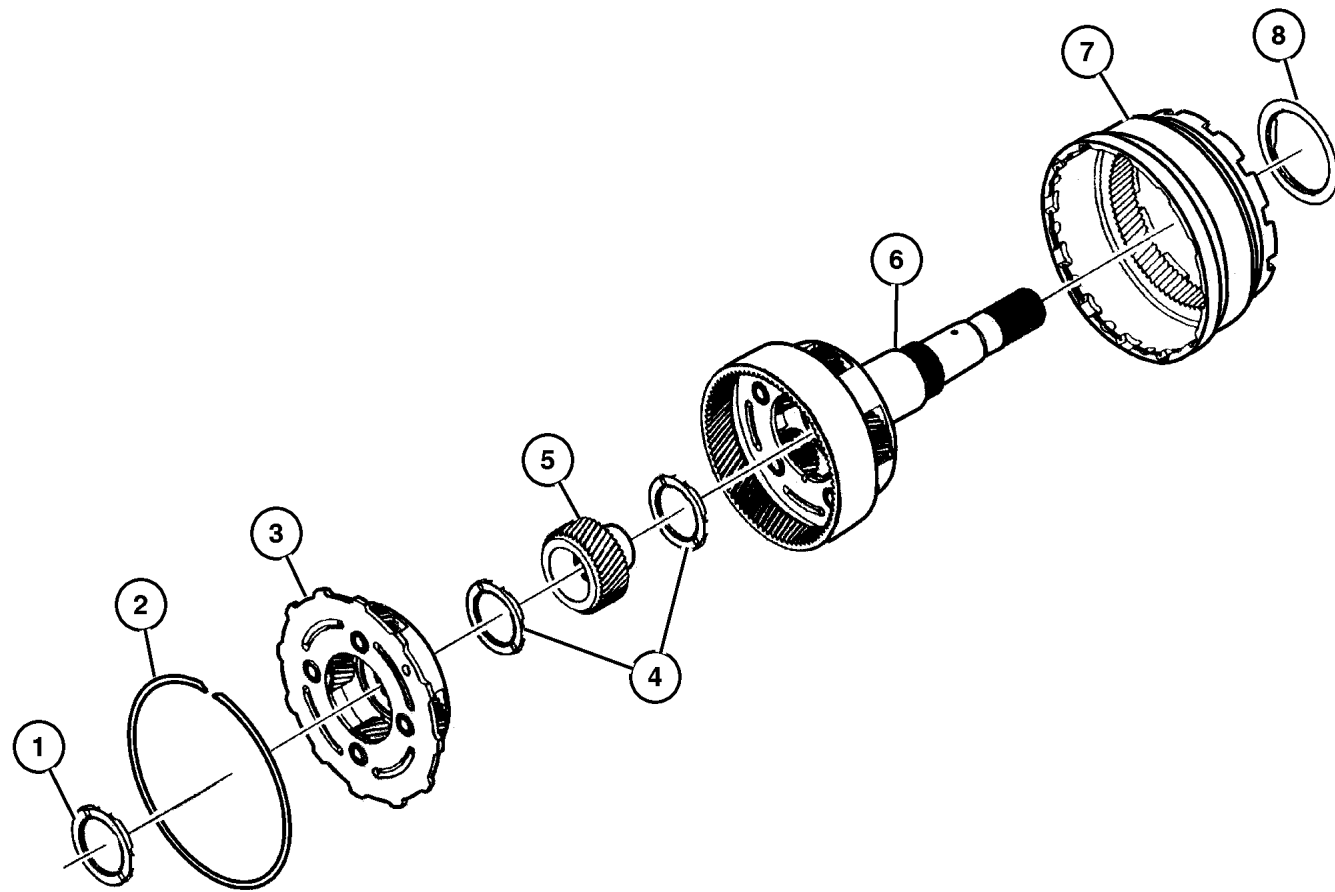
JEEP GRAND CHEROKEE (WJ)

SERIES	LINE	BODY	ENGINE	TRANSMISSION
H=Laredo	J = 4WD	74 = 4 Door(105.9 WB)	ER0, ERH = 4.0L, Power Tech I-6	DGK = 4 Speed Autm, 42RE
P=Limited	T = 2WD		EV0, EVA = 4.7L, Power Tech V8	DGW = 4 Speed Automatic, -44RE
	U = 4WD (RHD)		EXA, EX0 = 3.1L, 5 Cyl Turbo Diesel	DG4 = Multi Speed Automatic, -45RFE
				DGO = All Automatic

AR = Use as required - = Non illustrated part # = New this model year

April 3, 2002

**Input/Reverse Planetary 45RFE [DG4]
Figure 45RFE-450**



ITEM	PART NUMBER	QTY	LINE	SERIES	ENGINE	TRANS	DESCRIPTION
------	-------------	-----	------	--------	--------	-------	-------------

NOTES: Sales Codes und in the VIN number
[DG4]= 45RFE Multi Speed Automatic Transmission und in the VIN number

1	4799 469	1	T			DG4	THRUST BEARING, Needle Roller
		1	J, U			DG4	52119098
2	4799 247	1	J, U			DG4	SNAP RING
		1	T			DG4	52119098
3	4799 503	1	J, U			DG4	CARRIER, Reverse Complete
		1	T			DG4	52119098
4	4799 469	1	J, U			DG4	THRUST BEARING, Needle Roller
		1	J, U			DG4	52119098
		1	T			DG4	52119099
		1	T			DG4	52119098
5	4799 586	1	J, U			DG4	GEAR, Input Sun
		1	T			DG4	52119098
6	4799 500	1	J, U			DG4	CARRIER, Input Complete
		1	T			DG4	52119098
7	4799 501	1	J, U			DG4	GEAR, Annulus
		1	T			DG4	52119098
8	4799 459	1	J, U			DG4	THRUST BEARING, Needle Roller
		1	T			DG4	52119098

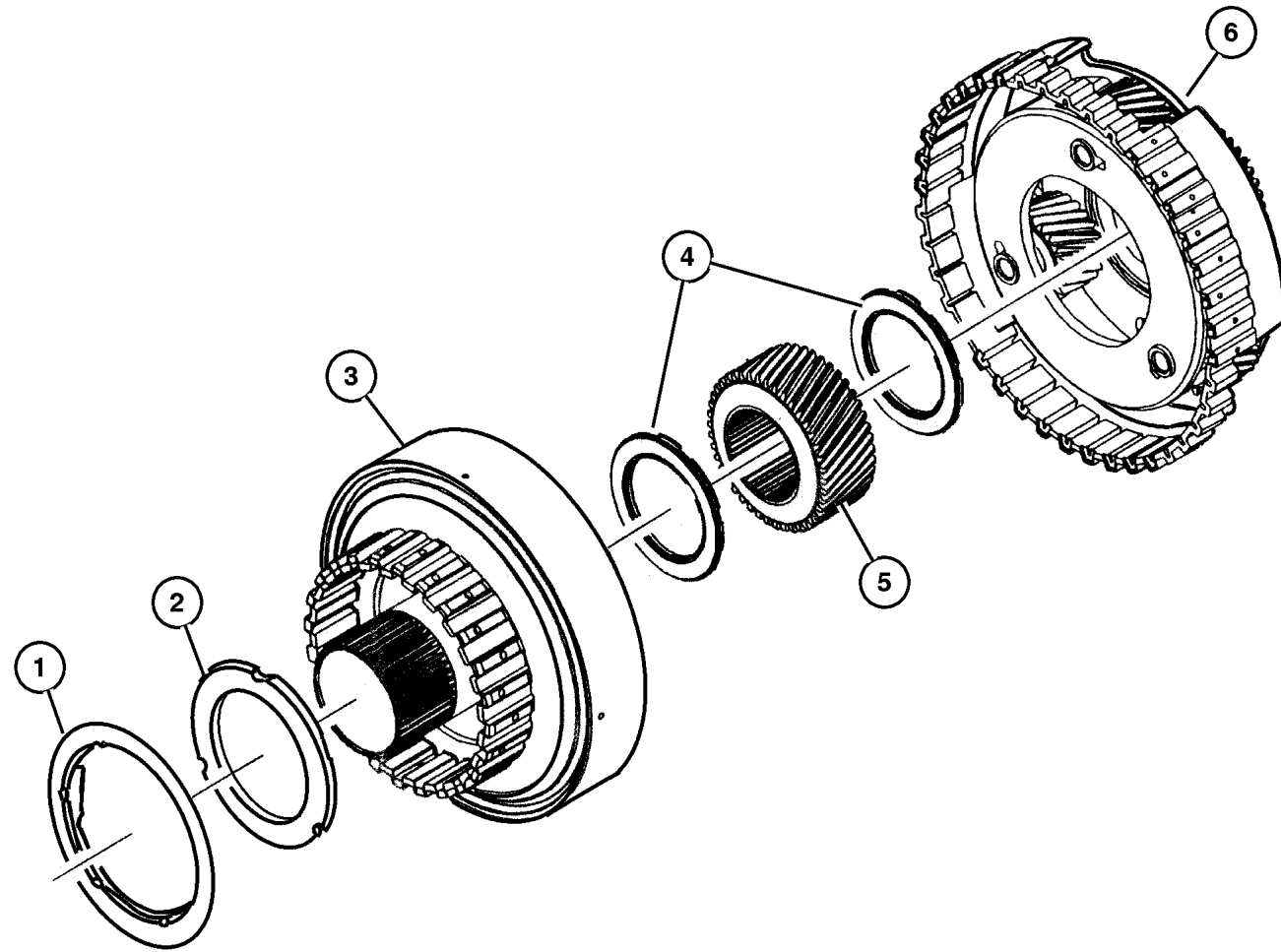
JEEP GRAND CHEROKEE (WJ)

SERIES	LINE	BODY	ENGINE	TRANSMISSION
H=Laredo	J = 4WD	74 = 4 Door(105.9 WB)	ER0, ERH = 4.0L, Power Tech I-6	DGK = 4 Speed Autm, 42RE
P=Limited	T = 2WD		EV0, EVA = 4.7L, Power Tech V8	DGW = 4 Speed Automatic, -44RE
	U = 4WD (RHD)		EXA, EX0 = 3.1L, 5 Cyl Turbo Diesel	DG4 = Multi Speed Automatic, -45RFE
				DGO = All Automatic

AR = Use as required - = Non illustrated part # = New this model year

April 3, 2002

**Reaction Annulus/Sun Gear 45RFE [DG4]
Figure 45RFE-460**



ITEM	PART NUMBER	QTY	LINE	SERIES	ENGINE	TRANS	DESCRIPTION
NOTES: Sales Codes und in the VIN number							
[DG4]= 45RFE Multi Speed Automatic Transmission und in the VIN number							
1	4799 459	1	J, U			DG4	THRUST BEARING, Needle Roller
		1	T			DG4	52119098
2							THRUST WASHER, Planetary Carrier, PKG 05013092AA, (NOT SERVICED)
3	4799 604	1	J, U			DG4	GEAR, Annulus
		1	T			DG4	552119099
4	4799 469	1	J, U			DG4	THRUST BEARING, Needle Roller
		1	T			DG4	552119099
5	4799 602	1	J, U			DG4	GEAR, Reaction Sun
		1	T			DG4	552119099
6	4799 619	1	J, U			DG4	CARRIER, Reaction Complete
		1	T			DG4	552119099

JEEP GRAND CHEROKEE (WJ)

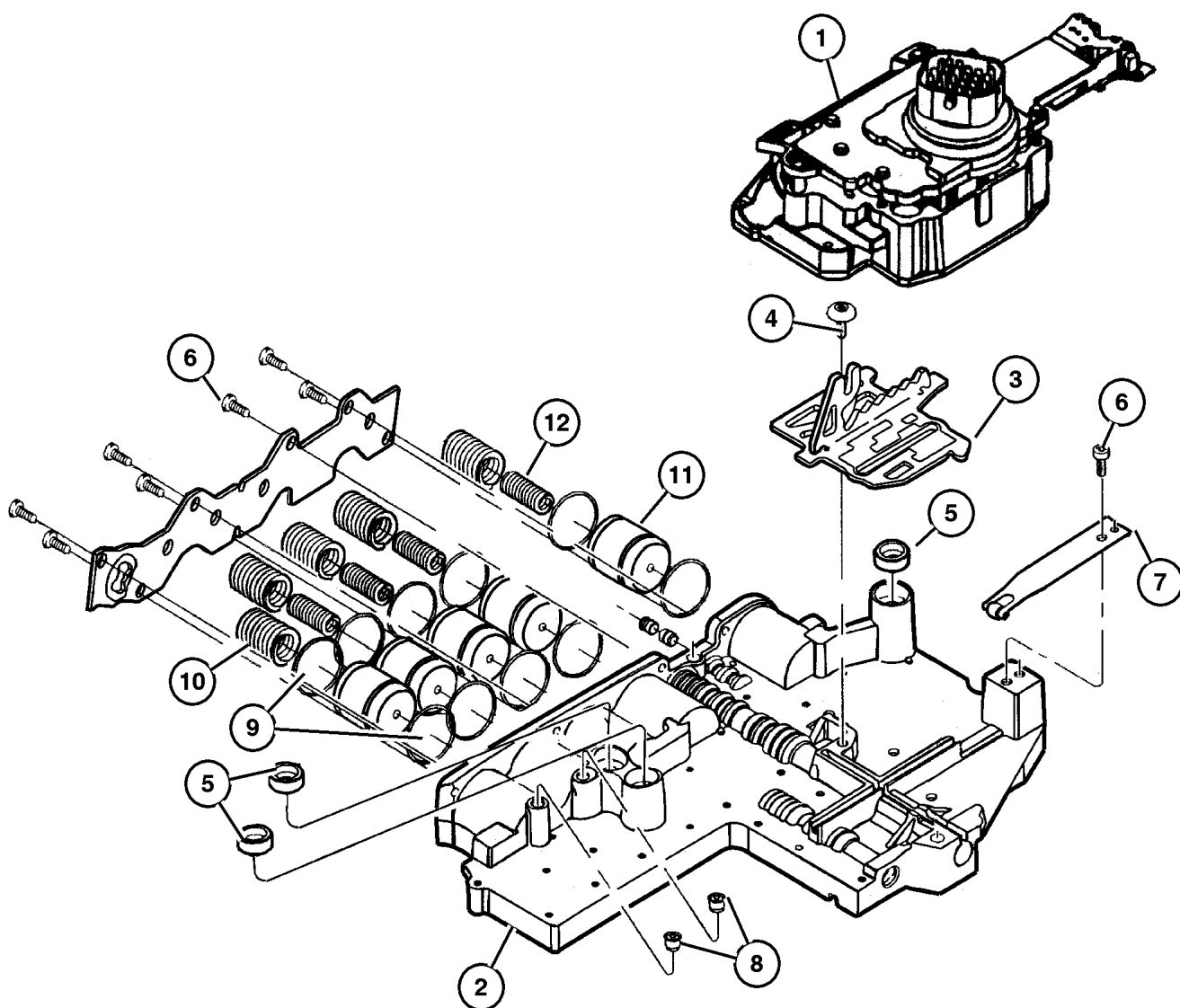
SERIES	LINE	BODY	ENGINE	TRANSMISSION
H=Laredo	J = 4WD	74 = 4 Door(105.9 WB)	ER0, ERH = 4.0L, Power Tech I-6	DGK = 4 Speed Autm, 42RE
P=Limited	T = 2WD		EV0, EVA = 4.7L, Power Tech V8	DGW = 4 Speed Automatic, -44RE
	U = 4WD (RHD)		EXA, EX0 = 3.1L, 5 Cyl Turbo Diesel	DG4 = Multi Speed Automatic, -45RFE
				DGO = All Automatic

AR = Use as required - = Non illustrated part # = New this model year

April 3, 2002

**Valve Body 45RFE [DG4]
Figure 45RFE-710**

ITEM	PART NUMBER	QTY	LINE	SERIES	ENGINE	TRANS	DESCRIPTION
NOTES: Sales Codes und in the VIN number							
[DG4] = 45RFE Multi Speed Automatic Transmission und in the VIN number							
1							SOLENOID, Transmission
	4799 934AB	1	J, U			DG4	52119099
		1	T			DG4	52119098
2							VALVE BODY, Transfer Plate and Valve
	4799 588	1	J, U			DG4	52119099
		1	T			DG4	52119098
3							PLATE, Manual Valve Cam
	4799 654AB	1	J, U			DG4	52119099
		1	T			DG4	52119098
4							SCREW, Shoulder/Truss, M5x.8x12.5
	6501 710	1	J, U			DG4	52119099
		1	T			DG4	52119098
5							SEAL, Clutch Feed
	4799 778	3	J, U			DG4	52119099
		3	J, U			DG4	52119098
6							SCREW, Pan Head, M5 x 0.8 x 12.60
	6503 232	1	J, U			DG4	52119099
		1	T			DG4	52119098
7							DETENT, Valve Body
	4799 593	1	J, U			DG4	52119099
		1	T			DG4	52119098
8							BLEED ORIFICE, Transmission
	4799 086	2	J, U			DG4	52119099
		2	T			DG4	52119098
9							SEAL, Accumulator
	4446 544	10	J, U			DG4	52119099
		10	T			DG4	52119098
10							SPRING, Accumulator
	4471 880	5	J, U			DG4	52119099
		5	T			DG4	52119098
11							PISTON, 2nd and 4th Accumulator
	4446 620	5	J, U			DG4	52119099
		5	T			DG4	52119098
12							SPRING, Accumulator
	4567 575	4	J, U			DG4	52119099
		4	T			DG4	52119098
-13							BALL, Check
	4446 602	7	T			DG4	
		7	J, U			DG4	



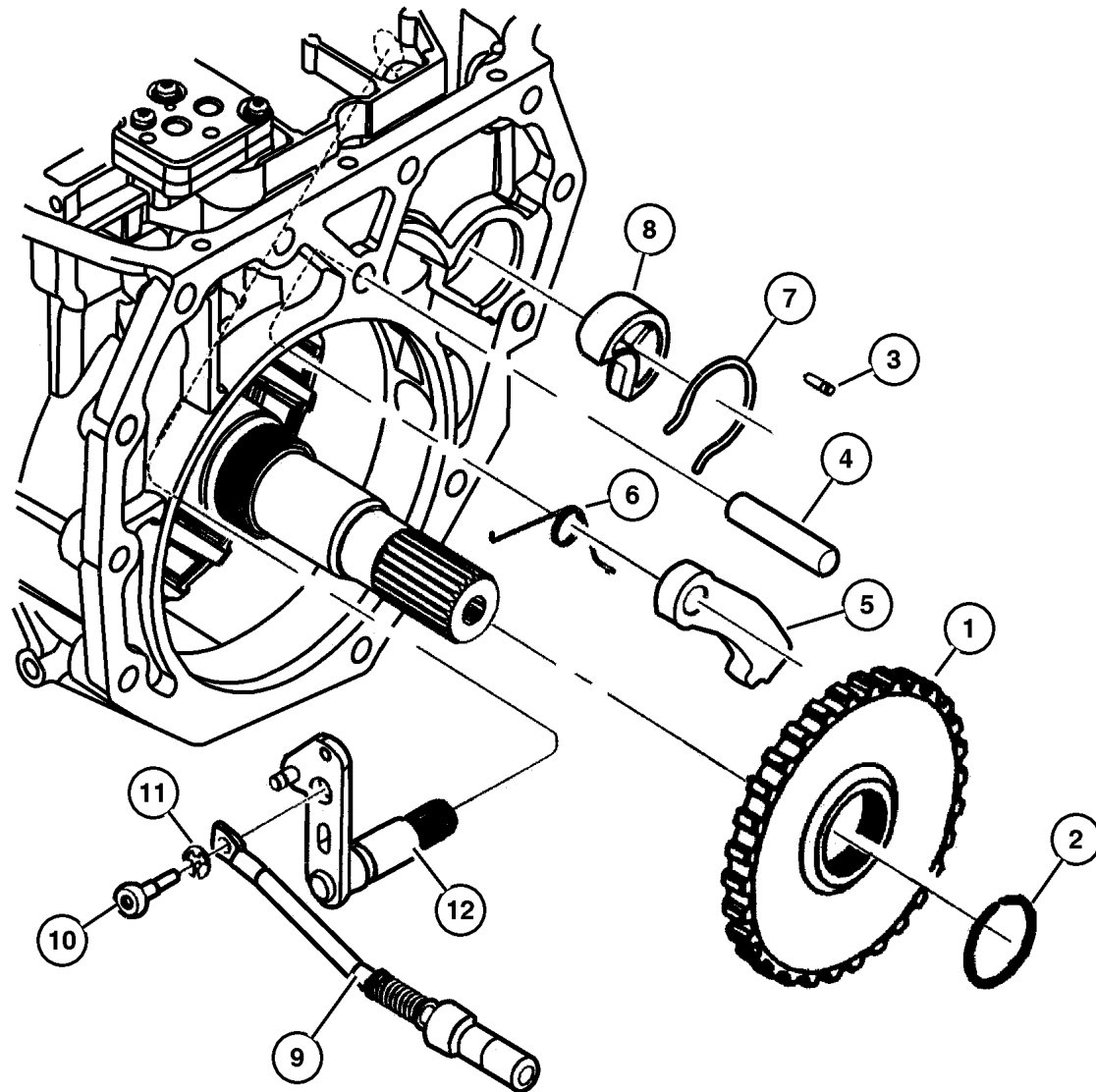
JEEP GRAND CHEROKEE (WJ)

SERIES	LINE	BODY	ENGINE	TRANSMISSION
H=Laredo	J = 4WD	74 = 4 Door(105.9 WB)	ER0, ERH = 4.0L, Power Tech I-6	DGK = 4 Speed Autm, 42RE
P=Limited	T = 2WD		EV0, EVA = 4.7L, Power Tech V8	DGW = 4 Speed Automatic, -44RE
	U = 4WD (RHD)		EXA, EX0 = 3.1L, 5 Cyl Turbo Diesel	DG4 = Multi Speed Automatic, -45RFE
				DGO = All Automatic

AR = Use as required - = Non illustrated part # = New this model year

April 3, 2002

**Parking Sprag 45RFE [DG4]
Figure 45RFE-730**



ITEM	PART NUMBER	QTY	LINE	SERIES	ENGINE	TRANS	DESCRIPTION
NOTES: Sales Codes und in the VIN number							
[DG4] = 45RFE Multi Speed Automatic Transmission und in the VIN number							
[EV0] = All 4.7L Gas Engines und in the VIN number							
1	4799 493	1	J, U			DG4	SPRAG, Transmission Parking
		1	T			DG4	52119098
2	4799 704	1	J, U			DG4	SNAP RING, Transmission
		1	T			DG4	52119098
3	0456 636	1	J, U			DG4	PIN
		1	T			DG4	52119098
4	4799 450	1	J, U			DG4	SHAFT, Parking Pawl
		1	T			DG4	52119098
5	4799 744AC	1	J, U			DG4	PAWL, Parking Sprag
		1	T			DG4	52119098
6	4799 451	1	J, U			DG4	SPRING, Torsion
		1	T			DG4	52119098
7	4799 313	1	J, U			DG4	SNAP RING
		1	T			DG4	52119098
8	4799 774	1	J, U			DG4	GUIDE, Parking Sprag Pawl
		1	T			DG4	52119098
9	4799 611	1	J, U			DG4	ROD, Parking Sprag
		1	T			DG4	52119098
10	6504 548	1	J, U			DG4	SCREW, M6x1x30
		1	T			DG4	52119098
11	6035 256	1	J, U		EV0	DG4	SNAP RING, Rod
		1	T			DG4	52119098
12	4799 453	1	J, U			DG4	LEVER, Shift Shaft
		1	T			DG4	52119098

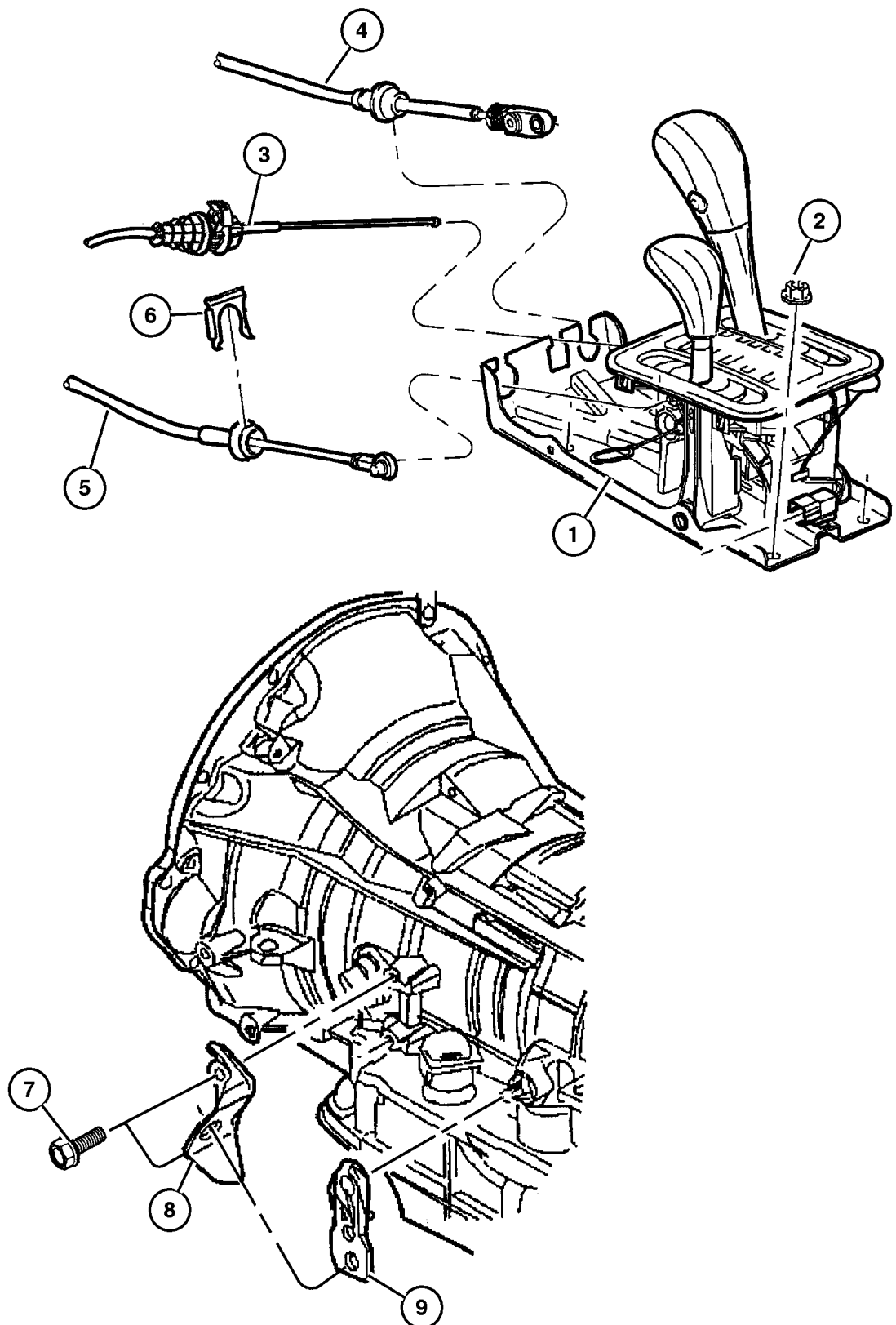
JEEP GRAND CHEROKEE (WJ)

SERIES	LINE	BODY	ENGINE	TRANSMISSION
H=Laredo	J = 4WD	74 = 4 Door(105.9 WB)	ER0, ERH = 4.0L, Power Tech I-6	DGK = 4 Speed Autm, 42RE
P=Limited	T = 2WD		EV0, EVA = 4.7L, Power Tech V8	DGW = 4 Speed Automatic, -44RE
	U = 4WD (RHD)		EXA, EX0 = 3.1L, 5 Cyl Turbo Diesel	DG4 = Multi Speed Automatic, -45RFE
				DGO = All Automatic

AR = Use as required - = Non illustrated part # = New this model year

April 3, 2002

**Gearshift Controls 45RFE [DG4]
Figure 45RFE-1210**



ITEM	PART NUMBER	QTY	LINE	SERIES	ENGINE	TRANS	DESCRIPTION
NOTES: Sales Codes und in the VIN number							
[DG4] = 45RFE Multi Speed Automatic Transmission und in the VIN number							
[DG0] = All Automatic Transmission und in the VIN number							
1							HOUSING AND LEVER, Shifter
	5210 4152	1	U			DG0	Right
	52104 375AA	1	U			DG0	w/DSB, Right
	5210 4151	1	J			DG0	
	52104 374AA	1	J			DG0	w/DSB
	5210 4147	1	T			DG0	Two Wheel Drive
	#52104 147AB	1	T			DG0	
2	6101 695	4				DG0	NUT, Hex Flange Lock, M8x1.25
3	5210 4054	1				DG0	CABLE, Park Interlock
4	5210 4060	1				DG0	CABLE, Gearshift Control
5	5210 4218	1	J, U			DG0	CABLE, Gearshift Control
6	4269 830	2	J, U				CLIP, Cable
7	6101 758	2				DG4	SCREW, Hex Head, M8x1.25x20
8	52104 371AB	1				DG4	BRACKET, Shift Cable
9	5210 4177	1				DG4	LEVER, Manual Control

JEEP GRAND CHEROKEE (WJ)				
SERIES	LINE	BODY	ENGINE	TRANSMISSION
H=Laredo	J = 4WD	74 = 4 Door(105.9 WB)	ER0, ERH = 4.0L, Power Tech I-6	DGK = 4 Speed Autm, 42RE
P=Limited	T = 2WD		EV0, EVA = 4.7L, Power Tech V8	DGW = 4 Speed Automatic, -44RE
	U = 4WD (RHD)		EXA, EX0 = 3.1L, 5 Cyl Turbo Diesel	DG4 = Multi Speed Automatic, -45RFE
				DGO = All Automatic

AR = Use as required - = Non illustrated part # = New this model year

April 3, 2002

LR Clutch 45RFE [DG4]
Figure 45RFE-1302

LR CLUTCH PACKAGE 05013091aa

	D-ring, external (L/R piston outer)
	D-ring, internal (L/R piston inner)
(6)	Plate, clutch separator (1.74mm thk)
(6)	Disc assy, clutch (L/R)
	Snap ring, flat (1.5/1.6 thk)
	Snap ring, flat (2.03/2.13 thk)
	Snap ring, flat (2.54/2.68 thk)
(2)	Retainer, c-clip

1

ITEM	PART NUMBER	QTY	LINE	SERIES	ENGINE	TRANS	DESCRIPTION
------	-------------	-----	------	--------	--------	-------	-------------

NOTES: Sales Codes und in the VIN number

[DG4] = 45RFE Multi Speed Automatic Transmission und in the VIN number

1							CLUTCH PACKAGE, Automatic Transmission, Low/Reverse
	5013 091AA	1	J, U			DG4	52119099
		1	T			DG4	52119098

JEEP GRAND CHEROKEE (WJ)

SERIES	LINE	BODY	ENGINE	TRANSMISSION
H=Laredo	J = 4WD	74 = 4 Door(105.9 WB)	ER0, ERH = 4.0L, Power Tech I-6	DGK = 4 Speed Autm, 42RE
P=Limited	T = 2WD		EVO, EVA = 4.7L, Power Tech V8	DGW = 4 Speed Automatic, -44RE
	U = 4WD (RHD)		EXA, EX0 = 3.1L, 5 Cyl Turbo Diesel	DG4 = Multi Speed Automatic, -45RFE
				DGO = All Automatic

AR = Use as required - = Non illustrated part # = New this model year

April 3, 2002

**Input Clutch Plate 45RFE [DG4]
Figure 45RFE-1303**

SELECTIVE THRUST PLATES 05013093aa
INPUT CLUTCH THRUST PLATE PKG

Thrust plate, input clutc 1.52 / 1.61
Thrust plate, input clutc 1.66 / 1.75
Thrust plate, input clutc 1.80 / 1.89
Thrust plate, input clutc 1.94 / 2.03
Thrust plate, input clutc 2.08 / 2.17
Thrust plate, input clutc 2.22 / 2.31
Thrust plate, input clutc 2.36 / 2.45
Thrust plate, input clutc 2.50 / 2.59
Thrust plate, input clutc 2.64 / 2.73
Thrust plate, input clutc 2.78 / 2.87
Thrust plate, input clutc 2.92 / 3.01
Thrust plate, input clutc 3.06 / 3.15
Thrust plate, input clutc 3.20 / 3.29
Thrust plate, input clutc 3.34 / 3.43
Thrust plate, input clutc 3.62 / 3.71

1

ITEM	PART NUMBER	QTY	LINE	SERIES	ENGINE	TRANS	DESCRIPTION
------	-------------	-----	------	--------	--------	-------	-------------

NOTES: Sales Codes und in the VIN number

[DG4] = 45RFE Multi Speed Automatic Transmission und in the VIN number

1	5013 093AA	AR	J, U		DG4	5219099	PLATE PACKAGE, Input Clutch Thrust
		1	T		DG4	52119098	

JEEP GRAND CHEROKEE (WJ)

SERIES	LINE	BODY	ENGINE	TRANSMISSION
H=Laredo	J = 4WD	74 = 4 Door(105.9 WB)	ER0, ERH = 4.0L, Power Tech I-6	DGK = 4 Speed Autm, 42RE
P=Limited	T = 2WD		EVO, EVA = 4.7L, Power Tech V8	DGW = 4 Speed Automatic, -44RE
	U = 4WD (RHD)		EXA, EX0 = 3.1L, 5 Cyl Turbo Diesel	DG4 = Multi Speed Automatic, -45RFE
				DGO = All Automatic

AR = Use as required - = Non illustrated part # = New this model year

April 3, 2002

O/H 45RFE [DG4]
Figure 45RFE-1304

O/H seal/gasket package

05014221ac

1

	2&4 clutch package	
	Input clutch package	
	L/R clutch package	
	Sump filter & seal package	
	Cooler filter	
	fill tube sea	
	Frt pmp cover o-ring/seal assy	
	Rotating shaft seal,pmp hsg	
	Adapter seal, 4x4	
	Extension seal,4x2	
	Manual lever seal	
(2)	Speed sensor seal	
	Reaction supt ring seal	
	Rev O/D clutch filter	
(10)	Accumulator ring seal	
(3)	Valve body seal	
	Check valve o-ring	
	Solenoid insulator seal	
	T/C seal	

ITEM	PART NUMBER	QTY	LINE	SERIES	ENGINE	TRANS	DESCRIPTION
------	-------------	-----	------	--------	--------	-------	-------------

NOTES: Sales Codes und in the VIN number

[DG4 45RFE Multi Speed Automatic Transmission und in the VIN number

1							OVERHAUL PACKAGE, Transmission
	#5014 221AD	1	J, U			DG4	52119099
		1	T			DG4	52119098

JEEP GRAND CHEROKEE (WJ)

SERIES	LINE	BODY	ENGINE	TRANSMISSION
H=Laredo	J = 4WD	74 = 4 Door(105.9 WB)	ER0, ERH = 4.0L, Power Tech I-6	DGK = 4 Speed Autm, 42RE
P=Limited	T = 2WD		EVO, EVA = 4.7L, Power Tech V8	DGW = 4 Speed Automatic, -44RE
	U = 4WD (RHD)		EXA, EX0 = 3.1L, 5 Cyl Turbo Diesel	DG4 = Multi Speed Automatic, -45RFE
				DGO = All Automatic

AR = Use as required - = Non illustrated part # = New this model year

April 3, 2002

**Input Clutch 45RFE [DG4]
Figure 45RFE-1305**

INPUT CLUTCH PACKAGE

05013090aa

1

	O-ring, large (2.62mm x 79.84 ID,gm)
	O-ring, small (2.62mm x 70.56 ID,red)
(2)	Seal, internal lip
(2)	Ring seal, l-shaft
	O-ring, piston inner (2.62mm x 93.54 ID)
(5)	Plate, clutch separator (1.74mm thk)
(4)	Disc assy, clutch (u/d clutch)
(4)	Disc assy, clutch (o/d clutch)
(3)	PLate, clutch separator (2.21mm thk, O/D)
(2)	Disc assy, clutch (rev clutch)
	Snap ring,tapered, internal butterfly end
	Snap ring, flat (1.5/1.6 thk)
	Snap ring, flat (1.80/1.90 thk)
	Snap ring, flat (2.15/2.25 thk)
	Piston & seal, underdrive
	Piston & seal, underdrive balance

ITEM	PART NUMBER	QTY	LINE	SERIES	ENGINE	TRANS	DESCRIPTION
------	-------------	-----	------	--------	--------	-------	-------------

NOTES: Sales Codes und in the VIN number

[DG4] = 45RFE Multi Speed Automatic Transmission und in the VIN number

1	5013 090AA	1	J, U			DG4	CLUTCH PACKAGE, Automatic Transmission, Input
		1	T			DG4	52119098

JEEP GRAND CHEROKEE (WJ)

SERIES	LINE	BODY	ENGINE	TRANSMISSION
H=Laredo	J = 4WD	74 = 4 Door(105.9 WB)	ER0, ERH = 4.0L, Power Tech I-6	DGK = 4 Speed Autm, 42RE
P=Limited	T = 2WD		EVO, EVA = 4.7L, Power Tech V8	DGW = 4 Speed Automatic, -44RE
	U = 4WD (RHD)		EXA, EX0 = 3.1L, 5 Cyl Turbo Diesel	DG4 = Multi Speed Automatic, -45RFE
				DGO = All Automatic

AR = Use as required - = Non illustrated part # = New this model year

April 3, 2002

**Planetary Plate 45RFE [DG4]
Figure 45RFE-1306**

**SELECTIVE THRUST PLATES
PLANETARY THRUST PLATE PKG 05013092aa**

	Thrust plate, planetary	1.62 / 1.75
	Thrust plate, planetary	1.81 / 1.94
	Thrust plate, planetary	1.96 / 2.09
	Thrust plate, planetary	2.11 / 2.24
	Thrust plate, planetary	2.26 / 2.39
	Thrust plate, planetary	2.41 / 2.54
	Thrust plate, planetary	2.56 / 2.69
	Thrust plate, planetary	2.71 / 2.84
	Thrust plate, planetary	2.86 / 2.99
	Thrust plate, planetary	3.01 / 3.14
	Thrust plate, planetary	3.16 / 3.29
	Thrust plate, planetary	3.31 / 3.44
	Thrust plate, planetary	3.46 / 3.59
	Thrust plate, planetary	3.61 / 3.74
	Thrust plate, planetary	3.76 / 3.89
	Thrust plate, planetary	3.91 / 4.04
	Thrust plate, planetary	4.06 / 4.19
	Thrust plate, planetary	4.21 / 4.34
	Thrust plate, planetary	4.36 / 4.49

①

ITEM	PART NUMBER	QTY	LINE	SERIES	ENGINE	TRANS	DESCRIPTION
------	-------------	-----	------	--------	--------	-------	-------------

NOTES: Sales Codes und in the VIN number

[DG4] = 45RFE Multi Speed Automatic Transmission und in the VIN number

1							PLATE PACKAGE, Planetary Thrust
	5013 092AA	1	J, U			DG4	52119099
		1	T			DG4	52119098

JEEP GRAND CHEROKEE (WJ)

SERIES	LINE	BODY	ENGINE	TRANSMISSION
H=Laredo	J = 4WD	74 = 4 Door(105.9 WB)	ER0, ERH = 4.0L, Power Tech I-6	DGK = 4 Speed Autm, 42RE
P=Limited	T = 2WD		EVO, EVA = 4.7L, Power Tech V8	DGW = 4 Speed Automatic, -44RE
	U = 4WD (RHD)		EXA, EX0 = 3.1L, 5 Cyl Turbo Diesel	DG4 = Multi Speed Automatic, -45RFE
				DGO = All Automatic

AR = Use as required - = Non illustrated part # = New this model year

April 3, 2002

**2&4 Clutch [DG4] 45RFE
Figure 45RFE-1310**

2&4 CLUTCH PACKAGE 05013087aa

(2)	Disc assy, clutch (2nd clutch)
(2)	Plate, clutch separator
	D-ring, external (2nd outer)
	D-ring, internal (2nd inner)
	D-ring, internal (4th outer)
	D-ring, internal (4th inner)
(3)	Plate, clutch separator (4th clutch)
(3)	Disc assy, clutch (4th clutch)
	Snap ring (4th, 1.74/1.84 thk)
	Snap ring (4th, 2.15/2.25 thk)
	Snap ring (4th, 2.56/2.66 thk)

①

ITEM	PART NUMBER	QTY	LINE	SERIES	ENGINE	TRANS	DESCRIPTION
------	-------------	-----	------	--------	--------	-------	-------------

NOTES: Sales Codes und in the VIN number

[DG4] = 45RFE Multi Speed Automatic Transmission und in the VIN number

1	5013 087AA	1	J, U			DG4	CLUTCH PACKAGE, Automatic Transmission, 2/4 52119099
		1	T			DG4	52119098

JEEP GRAND CHEROKEE (WJ)

SERIES	LINE	BODY	ENGINE	TRANSMISSION
H=Laredo	J = 4WD	74 = 4 Door(105.9 WB)	ER0, ERH = 4.0L, Power Tech I-6	DGK = 4 Speed Autm, 42RE
P=Limited	T = 2WD		EVO, EVA = 4.7L, Power Tech V8	DGW = 4 Speed Automatic, -44RE
	U = 4WD (RHD)		EXA, EX0 = 3.1L, 5 Cyl Turbo Diesel	DG4 = Multi Speed Automatic, -45RFE
				DGO = All Automatic

AR = Use as required - = Non illustrated part # = New this model year

April 3, 2002

Group – 242

Transfer Case Model 242

GROUP 242 - Transfer Case Model 242

Illustration Title

Group-Fig. No.

Transfer Case Assembly

Transfer Case Select Trac [DHP] Fig. 242-110

Case and Related Parts

Case and Related Parts Select Trac [DHP] Fig. 242-210

Gear Train

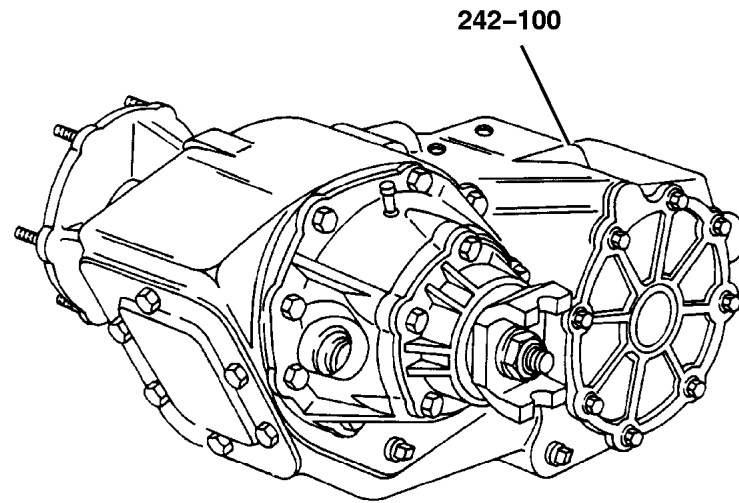
Gear Train Select Trac [DHP] Fig. 242-410

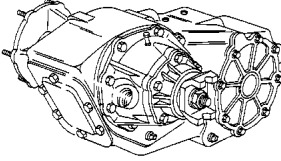
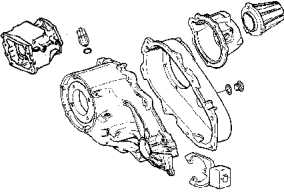
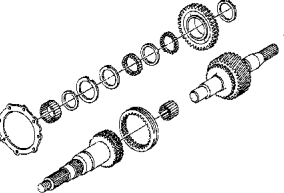
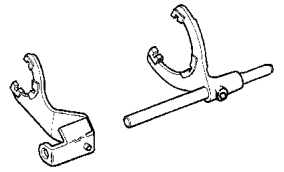

Fork and Rails

Fork and Rails Select Trac [DHP] Fig. 242-910

Gearshift Controls

Gearshift Controls Select Trac [DHP] Fig. 242-1210



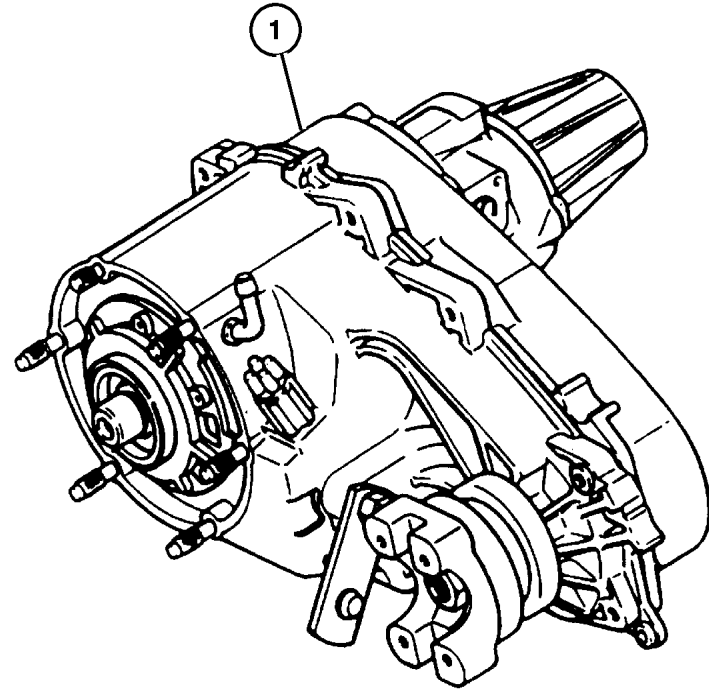
<p>242-100 Transfer Case Assembly</p> 	<p>242-200 Case and Related Parts</p> 	<p>242-400 Gear Train</p> 	<p>242-900 Fork and Rails</p> 
<p>242-1200 Gearshift Controls</p> 			

**Transfer Case Select Trac [DHP]
Figure 242-110**

ITEM	PART NUMBER	QTY	LINE	SERIES	ENGINE	TRANS	DESCRIPTION
------	-------------	-----	------	--------	--------	-------	-------------

NOTES: Sales Codes und in the VIN number
 [ER0] = All 4.0L 6 Cylinder Gas Engines und in the VIN number
 [EV0] = All 4.7L Gas Engines und in the VIN number

1							TRANSFER CASE, NP242
	#52098 875AC	1	J, U		ER0		
	52111 004AA	1	J, U		EV0		

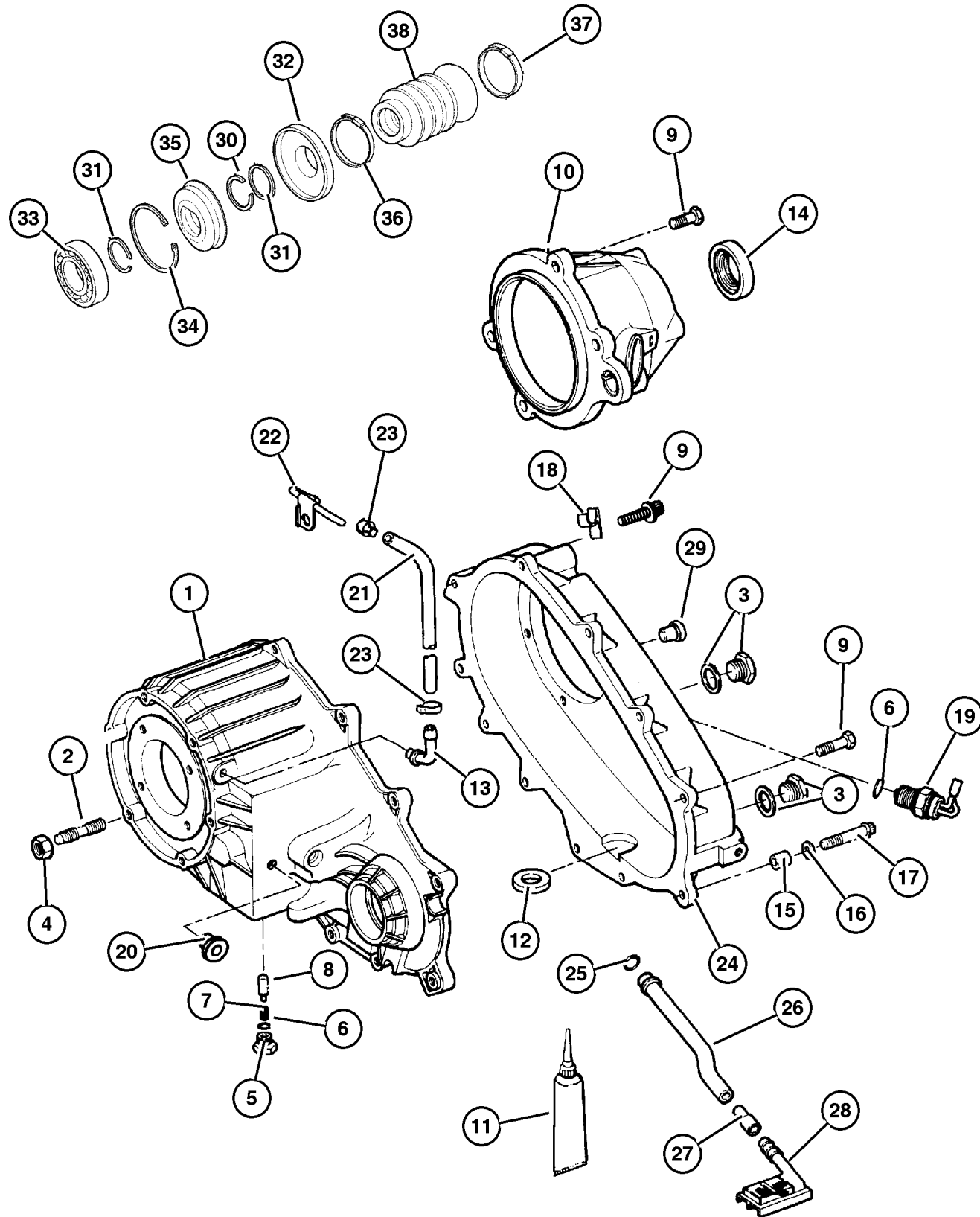


JEEP GRAND CHEROKEE (WJ)			ENGINE	TRANSMISSION
SERIES	LINE	BODY	ENGINE	TRANSMISSION
H=Laredo	J = 4WD	74 = 4 Door(105.9 WB)	ER0, ERH = 4.0L, Power Tech I-6	DGK = 4 Speed Autm, 42RE
P=Limited	T = 2WD		EV0, EVA = 4.7L, Power Tech V8	DGW = 4 Speed Automatic, -44RE
	U = 4WD (RHD)		EXA, EX0 = 3.1L, 5 Cyl Turbo Diesel	DG4 = Multi Speed Automatic, -45RFE
				DGO = All Automatic

AR = Use as required - = Non illustrated part # = New this model year

April 3, 2002

**Case and Related Parts Select Trac [DHP]
Figure 242-210**



ITEM	PART NUMBER	QTY	LINE	SERIES	ENGINE	TRANS	DESCRIPTION
NOTES: Sales Codes und in the VIN number							
[DGK] = 42RE Automatic Transmission und in the VIN number							
[DGW] = 44RE 4 Speed Automatic Transmission und in the VIN number							
[ER0] = All 4.0L 6 Cylinder Gas Engines und in the VIN number							
[EVO] = All 4.7L Gas Engines und in the VIN number							
1							CASE, Transfer Front
	5014 045AA	1	J, U		EVO		
		1	J, U		ERO		
2							STUD
	4505 365	6	J, U		ERO		
	5012 310AA	6	J, U		EVO		
3							PLUG, Oil Fill
	4856 641	2	J, U		EVO		
		2	J, U		ERO		
4	J400 6681	6	J, U				NUT AND CONED WASHER, Hex, .375-24
5							SCREW
	4886 473AA	1	J, U		EVO		
		1	J, U		ERO		
6							SEAL, Vacuum Switch
	4338 956	2	J, U		EVO		
		2	J, U		ERO		
7							SPRING, Poppet Plunger
	5003 445AA	1	J, U		EVO		
		1	J, U		ERO		
8							PLUNGER
	5003 444AA	1	J, U		EVO		
		1	J, U		ERO		
9	4210 617	16	J, U		ERO		BOLT, Transfer Case
10							RETAINER, Transfer Case Rear
	5003 456AA	1	J, U		EVO		
	5012 347AA	1	J, U		ERO		
11							SEALANT, RTV
	4318 025	1	J, U		EVO		
	5010 884AA	1					
12							MAGNET, Transmission
	3681 601	1	J, U		EVO		
		1	J, U		ERO		
13							VENT, Transfer Case
	4796 910	1	J, U		EVO		
		1	J, U		ERO		
14							SEAL, Output Shaft, Rear
	4798 117	1	J, U		ERO		

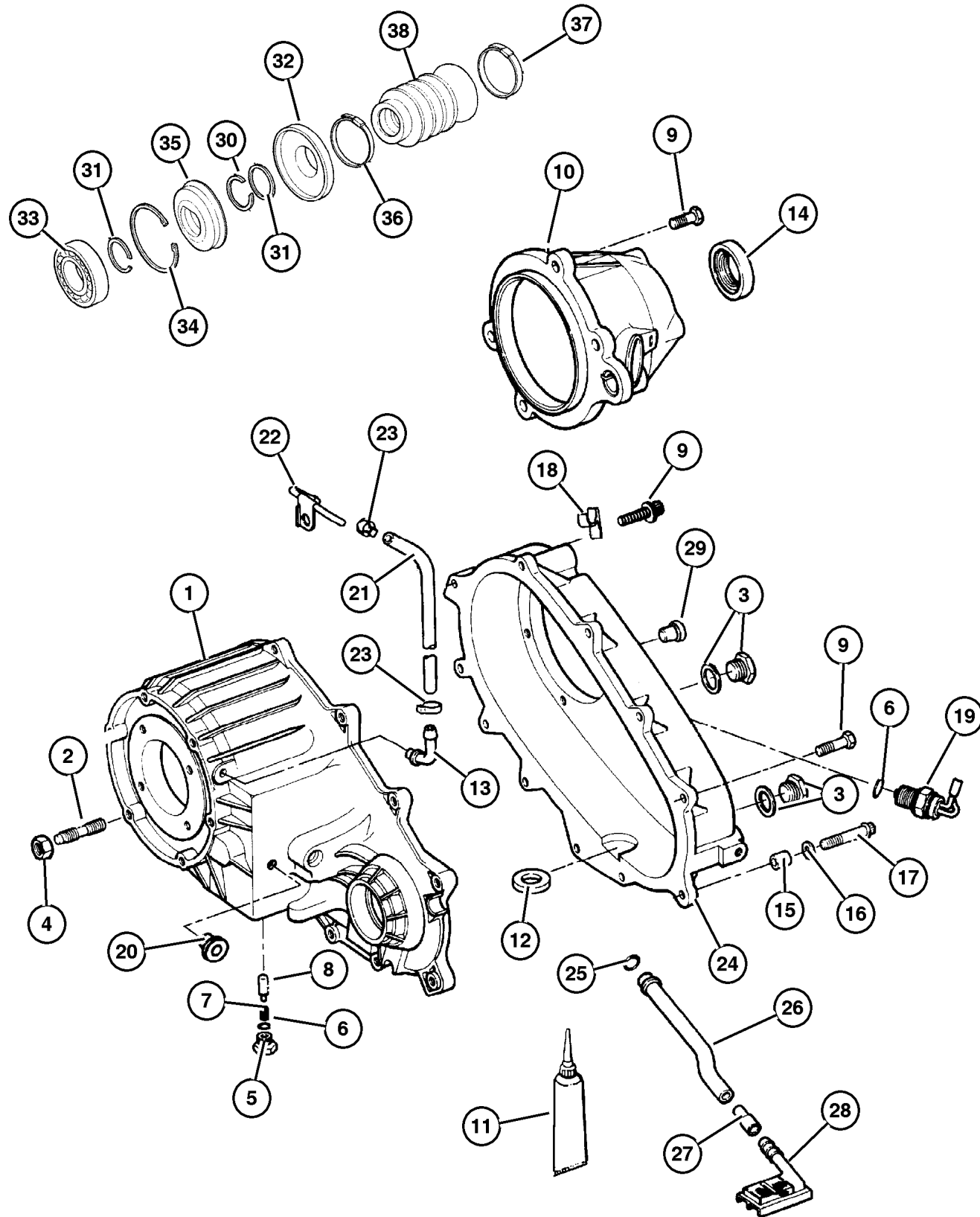
JEEP GRAND CHEROKEE (WJ)

SERIES	LINE	BODY	ENGINE	TRANSMISSION
H=Laredo	J = 4WD	74 = 4 Door(105.9 WB)	ER0, ERH = 4.0L, Power Tech I-6	DGK = 4 Speed Autm, 42RE
P=Limited	T = 2WD		EVO, EVA = 4.7L, Power Tech V8	DGW = 4 Speed Automatic, -44RE
	U = 4WD (RHD)		EXA, EX0 = 3.1L, 5 Cyl Turbo Diesel	DG4 = Multi Speed Automatic, -45RFE
				DGO = All Automatic

AR = Use as required - = Non illustrated part # = New this model year

April 3, 2002

Case and Related Parts Select Trac [DHP]
Figure 242-210



ITEM	PART NUMBER	QTY	LINE	SERIES	ENGINE	TRANS	DESCRIPTION
	5003 419AA	1	J, U		EVO		
15	4116 310	2	J, U		EVO		DOWEL, Transfer Case
		2	J, U		ERO		
16							WASHER, Flat
	4210 983	2	J, U		EVO		
		2	J, U		ERO		
17	4210 614	2	J, U		ERO		BOLT, Hex Flange Head
18							CLIP
	5211 8181	1	J, U			DGK	
		1	J, U			DGW	
19							SWITCH, Transfer Case Mode
	5600 6755	1	J, U		EVO		
		1	J, U		ERO		
20							PLUG, Transmission Case
	0015 105	1	J, U		EVO		
		1	J, U		ERO		
21	4443 176	AR			ERO		HOSE, Fuel, .31 I.D. 50 Foot Roll
22	5300 7494	1	J, U				VENT, Transfer Case
23	6502 081	2	J, U				CLAMP, Oil Cooler Line
24							CASE, Transfer Case Rear
	4886 373AA	1	J, U		ERO		
	5013 858AA	1	J, U		EVO		
25							SEAL, Oil
	4338 942	1	J, U		EVO		
		1	J, U		ERO		
26							TUBE, Oil Pickup
	5003 455AA	1	J, U		EVO		
	8350 3523	1	J, U		ERO		
27							CONNECTOR, Oil Tube Pickup
	4338 944	1	J, U		EVO		
		1	J, U		ERO		
28							FILTER, Transfer Case Oil
	4338 943	1	J, U		EVO		
		1	J, U		ERO		
29							BOLT, Twelve Point Head, M10x1.5x48
	J813 0979	1	J, U		EVO		
		3	J, U		ERO		
30	J813 4488	2	J, U		ERO		SNAP RING
31	4798 118	1	J, U		ERO		WASHER
32	#5016 615AA	1	J, U		ERO		SLINGER, Oil
33	4338 892	1	J, U		ERO		BEARING

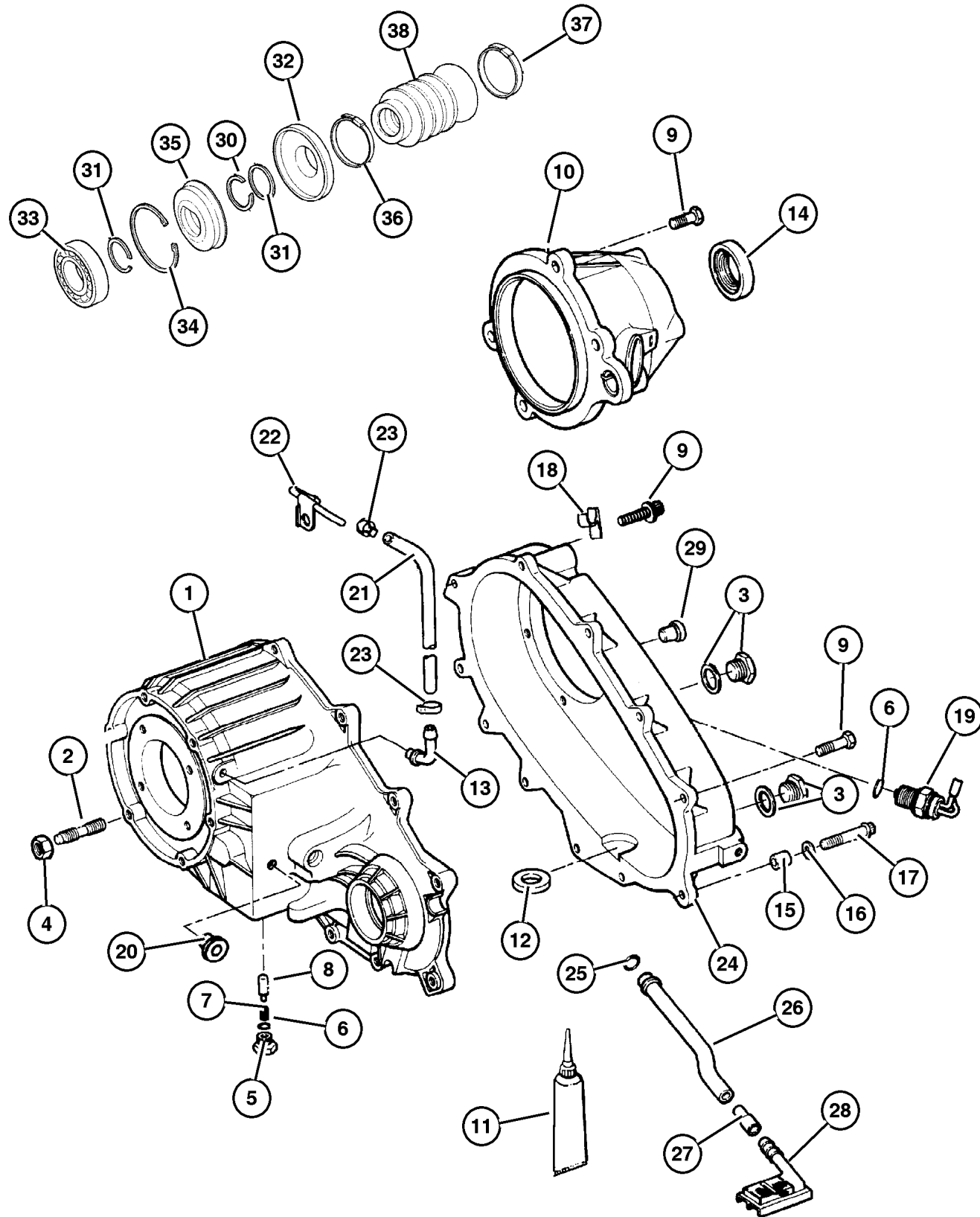
JEEP GRAND CHEROKEE (WJ)

SERIES	LINE	BODY	ENGINE	TRANSMISSION
H=Laredo	J = 4WD	74 = 4 Door(105.9 WB)	ERO, ERH = 4.0L, Power Tech I-6	DGK = 4 Speed Autm, 42RE
P=Limited	T = 2WD		EVO, EVA = 4.7L, Power Tech V8	DGW = 4 Speed Automatic, -44RE
	U = 4WD (RHD)		EXA, EX0 = 3.1L, 5 Cyl Turbo Diesel	DG4 = Multi Speed Automatic, -45RFE
				DGO = All Automatic

AR = Use as required - = Non illustrated part # = New this model year

April 3, 2002

Case and Related Parts Select Trac [DHP]
Figure 242-210



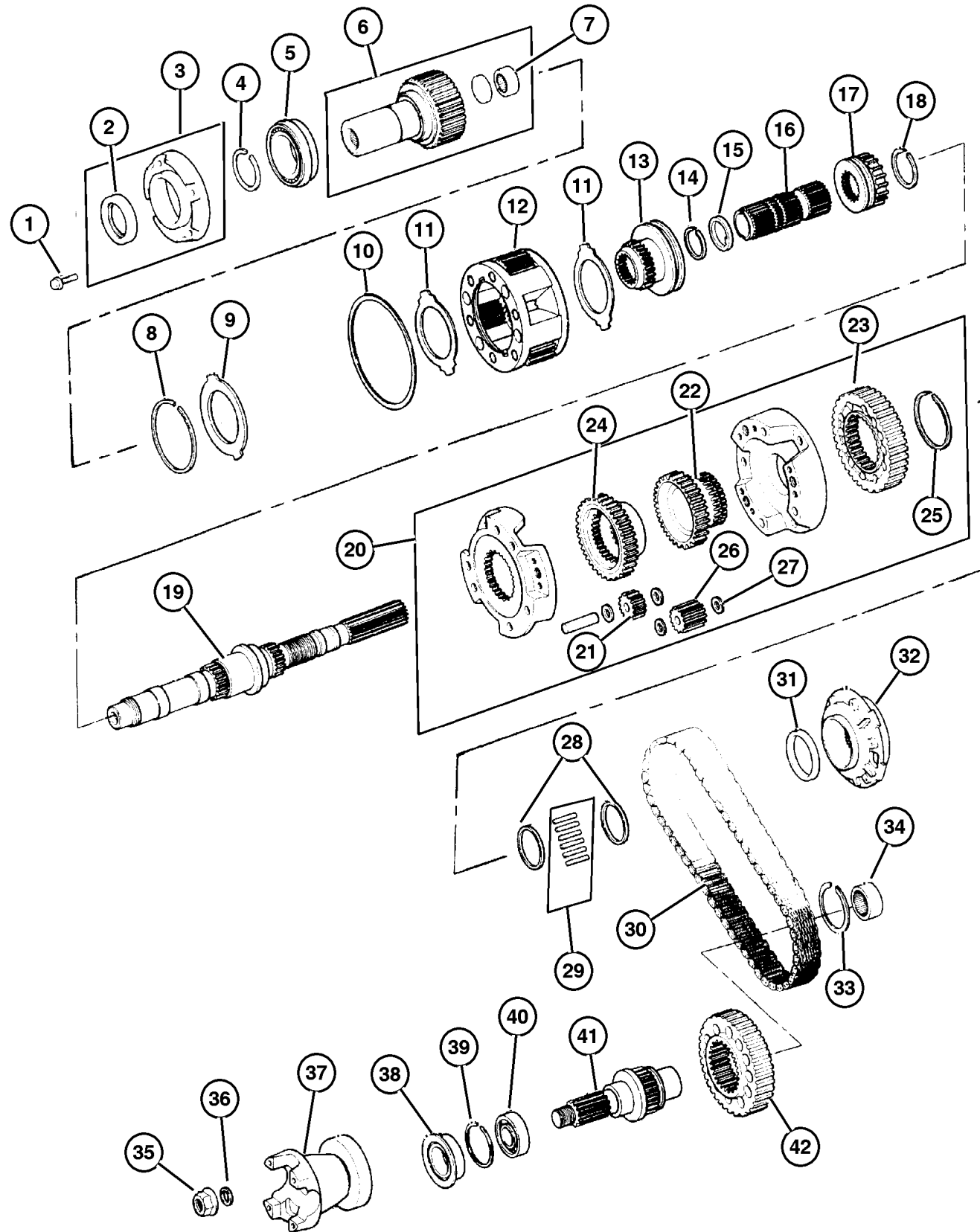
ITEM	PART NUMBER	QTY	LINE	SERIES	ENGINE	TRANS	DESCRIPTION
34	4798 116	1	J, U		ERO		SNAP RING
35	4798 117	1	J, U		ERO		SEAL, Output Shaft
36	4798 121	1	J, U		ERO		CLAMP, Boot
37	4798 122	1	J, U		ERO		CLAMP, Boot
38	4798 123	1	J, U		ERO		BOOT, Driveshaft

JEEP GRAND CHEROKEE (WJ)		BODY	ENGINE	TRANSMISSION
SERIES	LINE	74 = 4 Door(105.9 WB)	ERO, ERH = 4.0L, Power Tech I-6	DGK = 4 Speed Autm, 42RE
H=Laredo	J = 4WD		EV0, EVA = 4.7L, Power Tech V8	DGW = 4 Speed Automatic, -44RE
P=Limited	T = 2WD		EXA, EX0 = 3.1L, 5 Cyl Turbo Diesel	DG4 = Multi Speed Automatic, -45RFE
	U = 4WD (RHD)			DGO = All Automatic

AR = Use as required - = Non illustrated part # = New this model year

April 3, 2002

**Gear Train Select Trac [DHP]
Figure 242-410**



ITEM	PART NUMBER	QTY	LINE	SERIES	ENGINE	TRANS	DESCRIPTION
NOTES: Sales Codes und in the VIN number							
[ER0] = All 4.0L 6 Cylinder Gas Engines und in the VIN number							
[EV0] = All 4.7L Gas Engines und in the VIN number							
1	6500 318	4	J, U		EV0		BOLT
2	4167 929	4	J, U		ER0		SEAL, Input Gear
		1	J, U		EV0		
3	4338 973	1	J, U		EV0		EXTENSION, Transfer Case
		1	J, U		ER0		
4	3821 558	1	J, U		EV0		SNAP RING
		1	J, U		ER0		
5	4746 155	1	J, U		EV0		BEARING, Input Gear
		1	J, U		ER0		
6	5003 446AA	1	J, U		ER0		GEAR, Input
		7	J, U		ER0		
7	8350 3507	1	J, U		ER0		BEARING, Input Shaft
		1	J, U		EV0		
8	4338 910	1	J, U		EV0		SNAP RING
		1	J, U		ER0		
9	4338 909	1	J, U		EV0		RING
		1	J, U		ER0		
10	4219 065	1	J, U		EV0		SNAP RING, Annulus Gear
		1	J, U		ER0		
11	4338 908	2	J, U		EV0		THRUST WASHER, Planetary Carrier
		2	J, U		ER0		
12	4796 903	1	J, U		EV0		GEAR, Low Range Planetary
		1	J, U		ER0		
13	5003 746AA	1	J, U		ER0		SLEEVE, Shift Range
14	8350 3540	1	J, U		EV0		SNAP RING
		1	J, U		ER0		
15							WASHER, Intermediate Sleeve

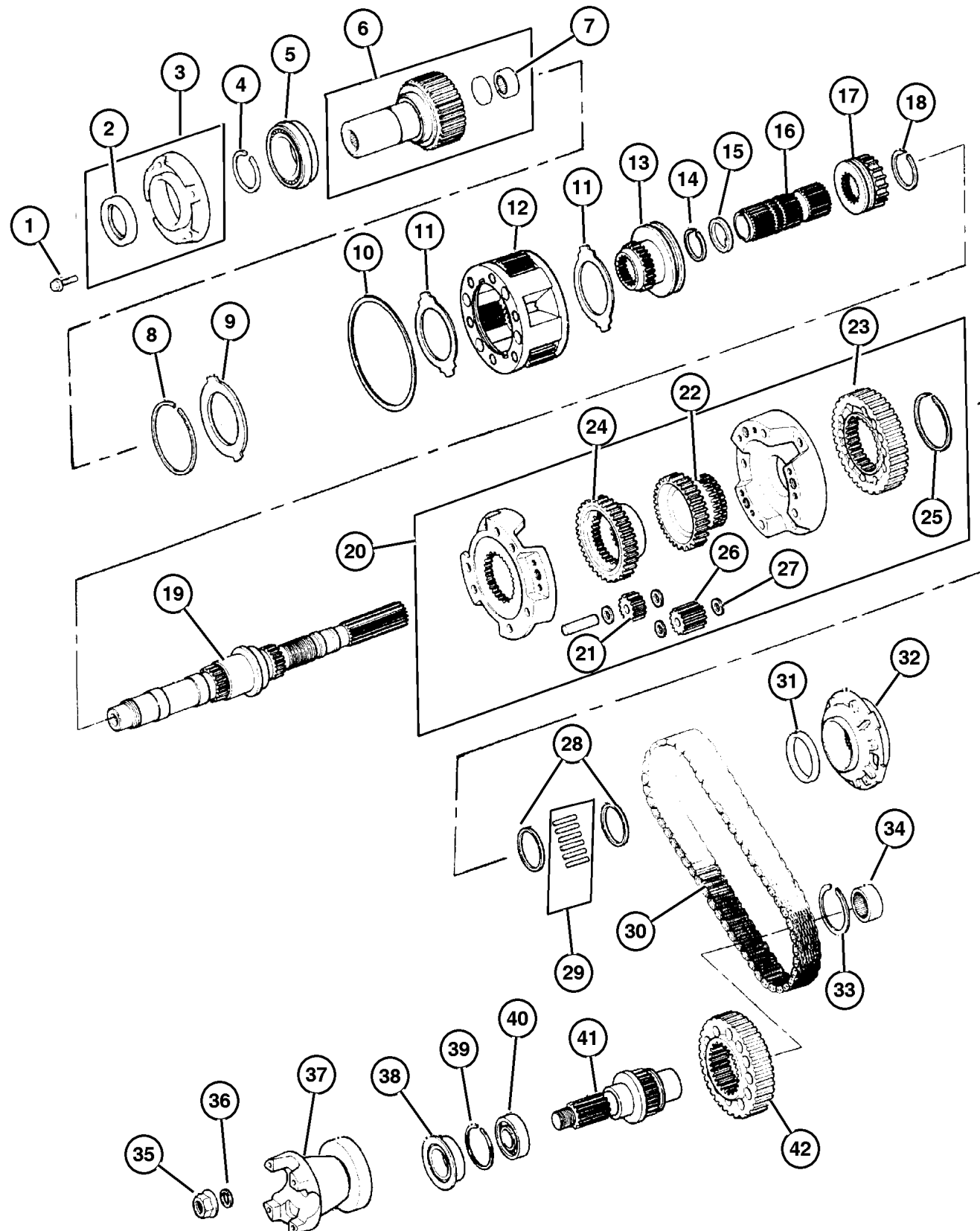
JEEP GRAND CHEROKEE (WJ)

SERIES	LINE	BODY	ENGINE	TRANSMISSION
H=Laredo	J = 4WD	74 = 4 Door(105.9 WB)	ER0, ERH = 4.0L, Power Tech I-6	DGK = 4 Speed Autm, 42RE
P=Limited	T = 2WD		EV0, EVA = 4.7L, Power Tech V8	DGW = 4 Speed Automatic, -44RE
	U = 4WD (RHD)		EXA, EX0 = 3.1L, 5 Cyl Turbo Diesel	DG4 = Multi Speed Automatic, -45RFE
				DGO = All Automatic

AR = Use as required - = Non illustrated part # = New this model year

April 3, 2002

**Gear Train Select Trac [DHP]
Figure 242-410**



ITEM	PART NUMBER	QTY	LINE	SERIES	ENGINE	TRANS	DESCRIPTION
	8350 3539	1	J, U		EVO		
		1	J, U		ERO		
16	4798 277	1	J, U		EVO		SHAFT, Intermediate
		1	J, U		ERO		
17	8350 3542	1	J, U		EVO		SLEEVE, Mode Synchronizer
		1	J, U		ERO		
18							SNAP RING
	8350 3537	1	J, U		EVO		
		1	J, U		ERO		
19							MAINSHAFT, Transfer Case
	5003 448AA	1	J, U		EVO		
	#5016 614AA	1	J, U		ERO		
20	8350 3529	1	J, U		ERO		CARRIER, Differential
21	8350 4170	3	J, U		ERO		GEAR, Planetary
22							SPROCKET, Transfer Case
	5003 452AA	1	J, U		EVO		
	8350 3530	1	J, U		ERO		
23							SPROCKET, Transfer Case
	5003 452AA	1	J, U		EVO		
	8350 3518	1	J, U		ERO		
24	8350 3536	1	J, U		ERO		SPROCKET, Differential
25	8350 3532	1	J, U		ERO		SNAP RING
26	8350 4169	3	J, U		ERO		GEAR, Planetary
27	8350 4168	12	J, U		ERO		WASHER, Differential Gear
28	8350 3533	2	J, U		ERO		SPACER, Sprocket
29							BEARING PACKAGE, Transfer Case
	8350 3543	1	J, U		EVO		
		1	J, U		ERO		
30							CHAIN, Transfer Case
	5003 453AA	1	J, U		EVO		
	8350 4575	1	J, U		ERO		
31	4210 603	1	J, U		ERO		SEAL, Main Shaft
32	4338 936	1	J, U		ERO		PUMP, Transfer Case Oil
33							SNAP RING, Bearing
	4167 991	1	J, U		EVO		
		1	J, U		ERO		
34							BEARING, Output Shaft
	4269 189	1	J, U		EVO		
		1	J, U		ERO		
35							NUT, Transfer Case Yoke

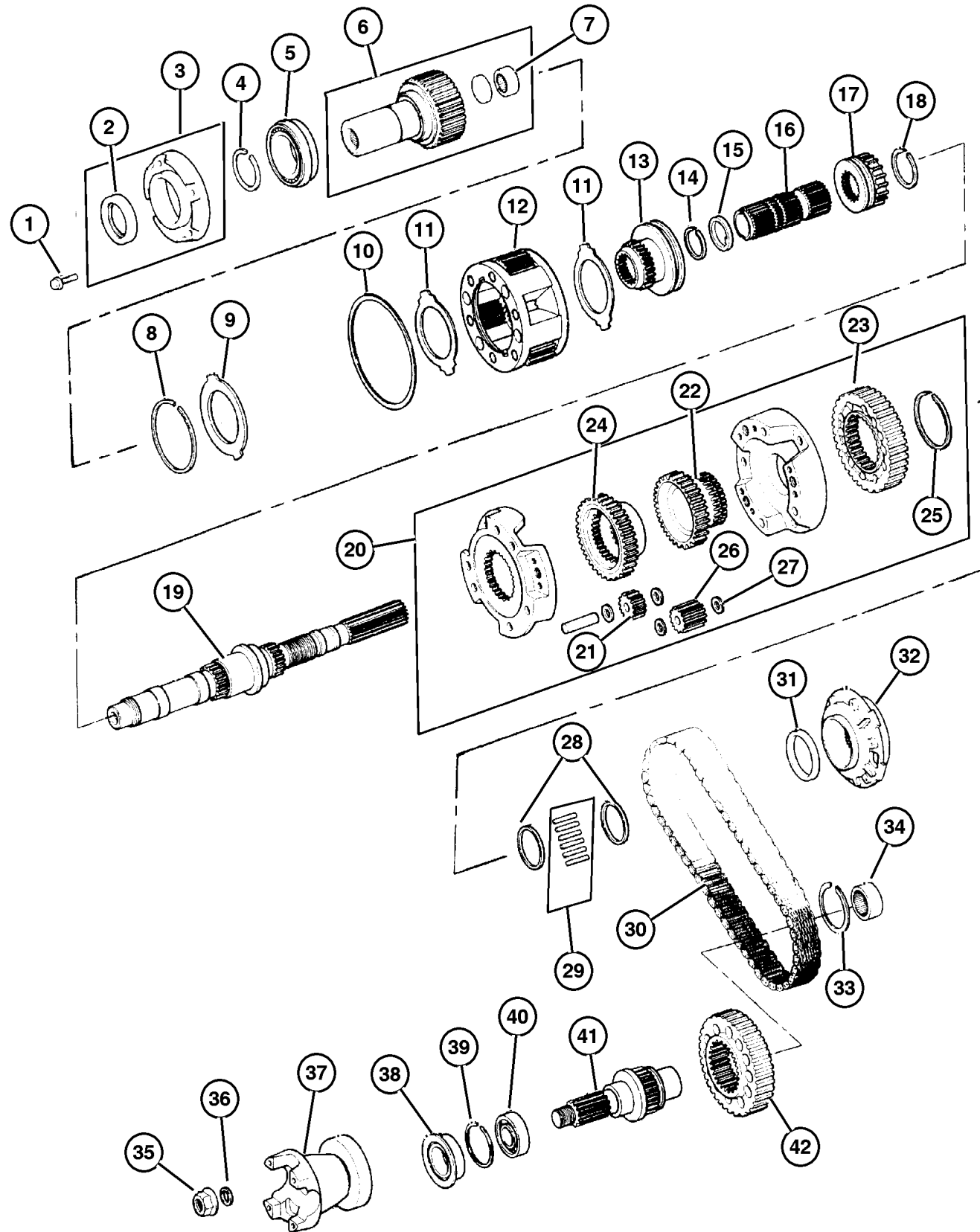
JEEP GRAND CHEROKEE (WJ)

SERIES	LINE	BODY	ENGINE	TRANSMISSION
H=Laredo	J = 4WD	74 = 4 Door(105.9 WB)	ER0, ERH = 4.0L, Power Tech I-6	DGK = 4 Speed Autm, 42RE
P=Limited	T = 2WD		EVO, EVA = 4.7L, Power Tech V8	DGW = 4 Speed Automatic, -44RE
	U = 4WD (RHD)		EXA, EX0 = 3.1L, 5 Cyl Turbo Diesel	DG4 = Multi Speed Automatic, -45RFE
				DGO = All Automatic

AR = Use as required - = Non illustrated part # = New this model year

April 3, 2002

**Gear Train Select Trac [DHP]
Figure 242-410**



ITEM	PART NUMBER	QTY	LINE	SERIES	ENGINE	TRANS	DESCRIPTION
	4167 924	1	J, U		EVO		
		1	J, U		ERO		
36	4210 973	1	J, U		EVO		WASHER, Transfer Case Yoke
		1	J, U		ERO		
37	5012 308AA	1	J, U		EVO		YOKE, Transfer Case
		1	J, U		ERO		
38							SEAL, Output Shaft
	4798 125	1	J, U		EVO		
		1	J, U		ERO		
39							SNAP RING
	0893 31A	1	J, U		EVO		
		1	J, U		ERO		
40							BEARING, Output Shaft
	2466 224	1	J, U		EVO		
		1	J, U		ERO		
41							OUTPUT SHAFT, Transfer Case
	5012 336AA	1	J, U		EVO		
		1	J, U		ERO		
42							SPROCKET, Transfer Case
	5003 452AA	1	J, U		EVO		
	8350 3518	1	J, U		ERO		

JEEP GRAND CHEROKEE (WJ)

SERIES	LINE	BODY	ENGINE	TRANSMISSION
H=Laredo	J = 4WD	74 = 4 Door(105.9 WB)	ER0, ERH = 4.0L, Power Tech I-6	DGK = 4 Speed Autm, 42RE
P=Limited	T = 2WD		EVO, EVA = 4.7L, Power Tech V8	DGW = 4 Speed Automatic, -44RE
	U = 4WD (RHD)		EXA, EX0 = 3.1L, 5 Cyl Turbo Diesel	DG4 = Multi Speed Automatic, -45RFE
				DGO = All Automatic

AR = Use as required - = Non illustrated part # = New this model year

April 3, 2002

Fork and Rails Select Trac [DHP] Figure 242-910

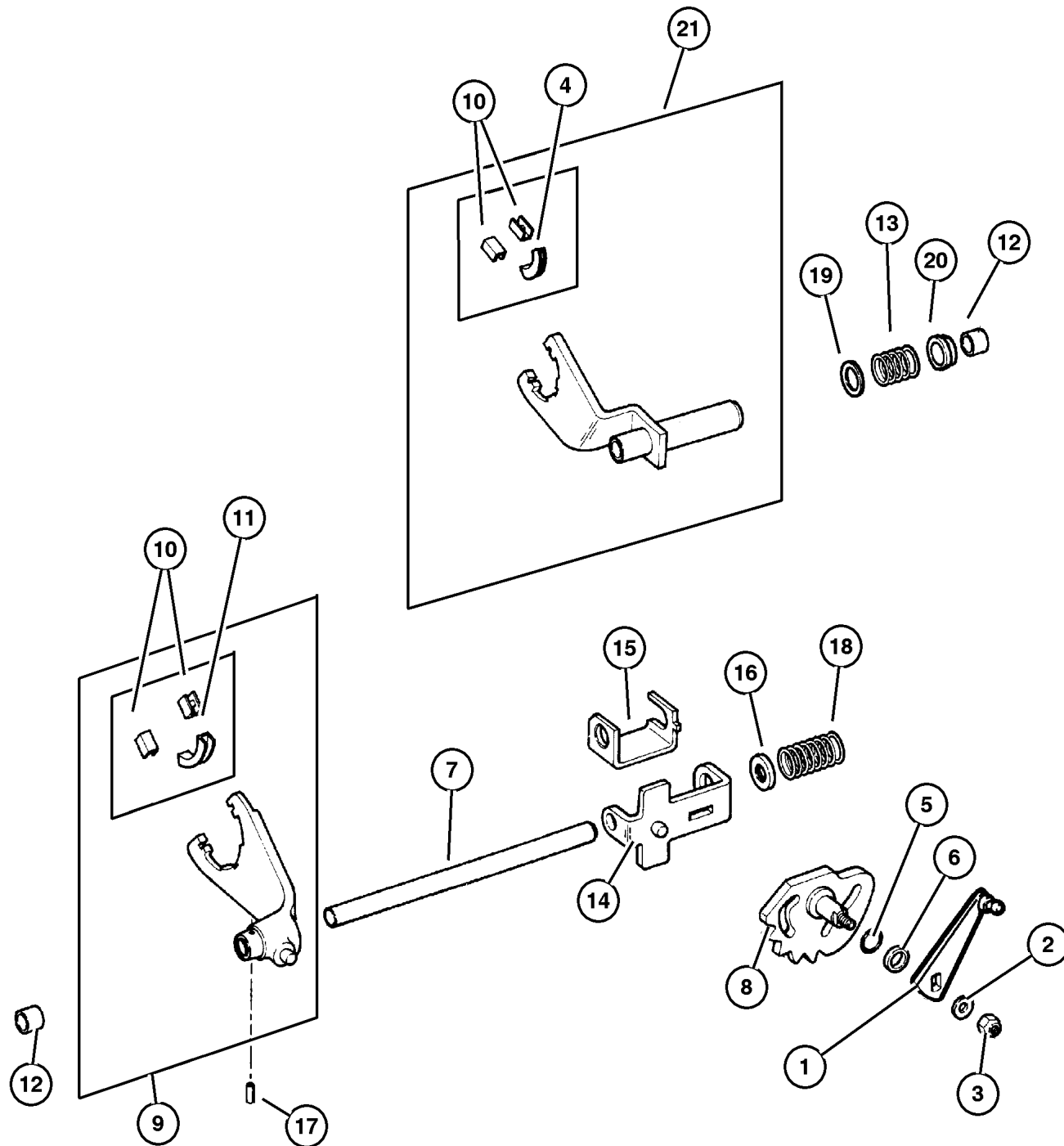
ITEM	PART NUMBER	QTY	LINE	SERIES	ENGINE	TRANS	DESCRIPTION
NOTES: Sales Codes und in the VIN number							
[ER0] = All 4.0L 6 Cylinder Gas Engines und in the VIN number							
[EV0] = All 4.7L Gas Engines und in the VIN number							
1	5012 307AA	1	J, U		EVO		LEVER, Transfer Case
2	S243 6163	1	J, U		ER0		WASHER, Flat
3	5014 048AA	1	J, U		EVO		BOLT, Hex Head
4	4338 376	1	J, U		EVO		PAD, Shift Fork
5	5014 046AA	1	J, U		EVO		SEAL, Sector Shaft
6	5003 442AA	1	J, U		EVO		BEARING, Shift Lever Linkage
7	8350 4469	1	J, U		EVO		RAIL, Transfer Case
8	5014 047AA	1	J, U		EVO		SECTOR, Transfer Case
9	8350 3508	1	J, U		EVO		FORK, Range
10	4167 969	2	J, U		EVO		PAD, Shift Fork
11	4167 970	1	J, U		EVO		PAD, Shift Fork
12	J813 4291	2	J, U		EVO		BUSHING, Shift Fork
13	8350 3513	1	J, U		EVO		SPRING, Mode Shift Fork
14	8350 3511	1	J, U		ER0		BRACKET, Shift Mode

JEEP GRAND CHEROKEE (WJ)

SERIES	LINE	BODY	ENGINE	TRANSMISSION
H=Laredo	J = 4WD	74 = 4 Door(105.9 WB)	ER0, ERH = 4.0L, Power Tech I-6	DGK = 4 Speed Autm, 42RE
P=Limited	T = 2WD		EV0, EVA = 4.7L, Power Tech V8	DGW = 4 Speed Automatic, -44RE
	U = 4WD (RHD)		EXA, EX0 = 3.1L, 5 Cyl Turbo Diesel	DG4 = Multi Speed Automatic, -45RFE
				DGO = All Automatic

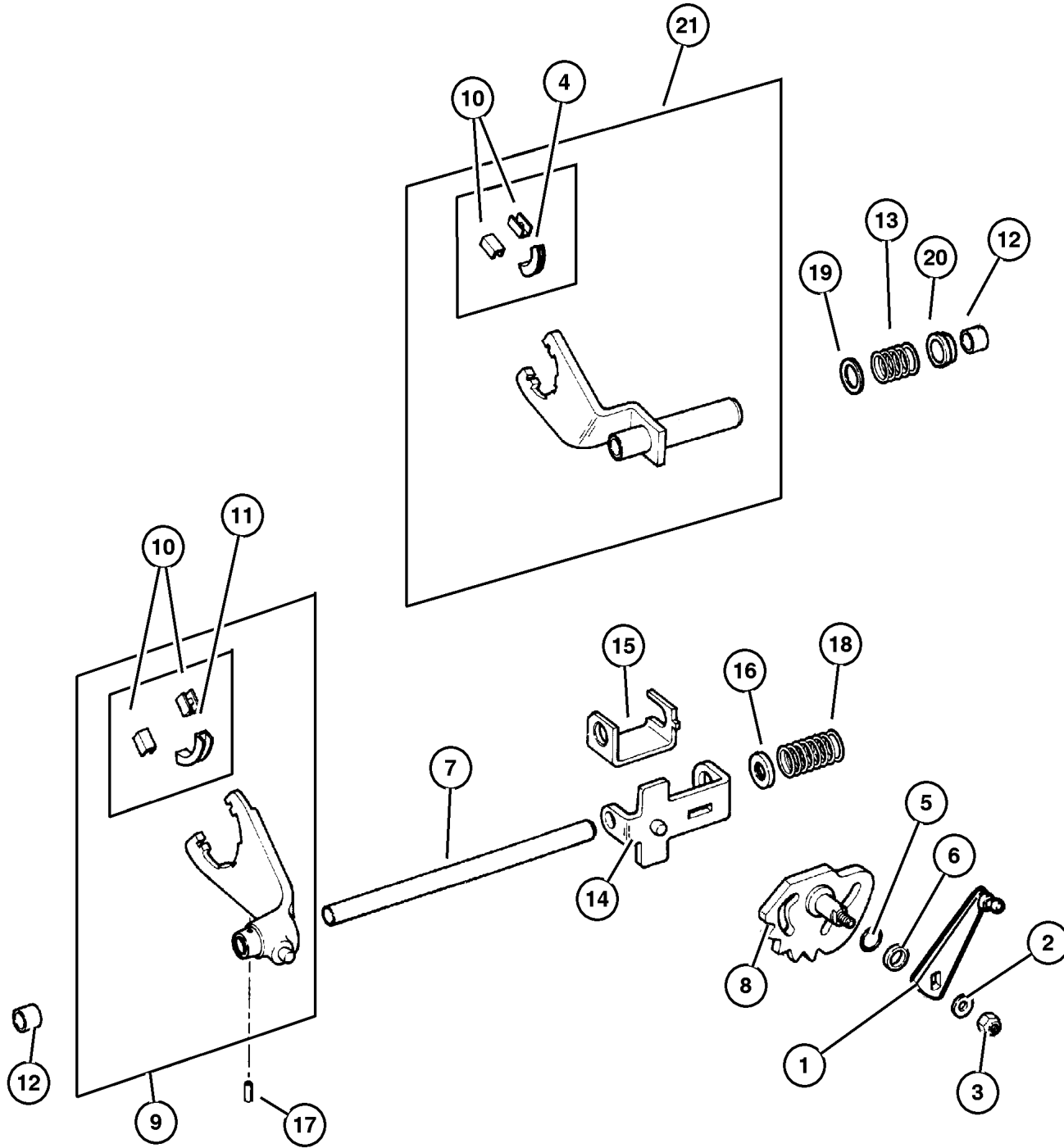
AR = Use as required - = Non illustrated part # = New this model year

April 3, 2002



Fork and Rails Select Trac [DHP]
Figure 242-910

ITEM	PART NUMBER	QTY	LINE	SERIES	ENGINE	TRANS	DESCRIPTION
		1	J, U		ERO		
15	8350 3511	1	J, U		EVO		BRACKET, Shift Mode
		1	J, U		ERO		
16	8350 3515	1	J, U		EVO		CUP, Shift Fork Spring
		1	J, U		ERO		
17	1664 355	1	J, U		EVO		PIN, Shift Fork
		1	J, U		ERO		
18	8350 3516	1	J, U		EVO		SPRING, Mode Shift Fork
		1	J, U		ERO		
19	4210 983	2	J, U		EVO		WASHER, Flat
		2	J, U		ERO		
20	8350 3514	1	J, U		EVO		BUSHING, Shift Rail
		1	J, U		ERO		
21	4638 950	1	J, U		ERO		FORK, Transfer Case Mode Shift
		1	J, U		EVO		



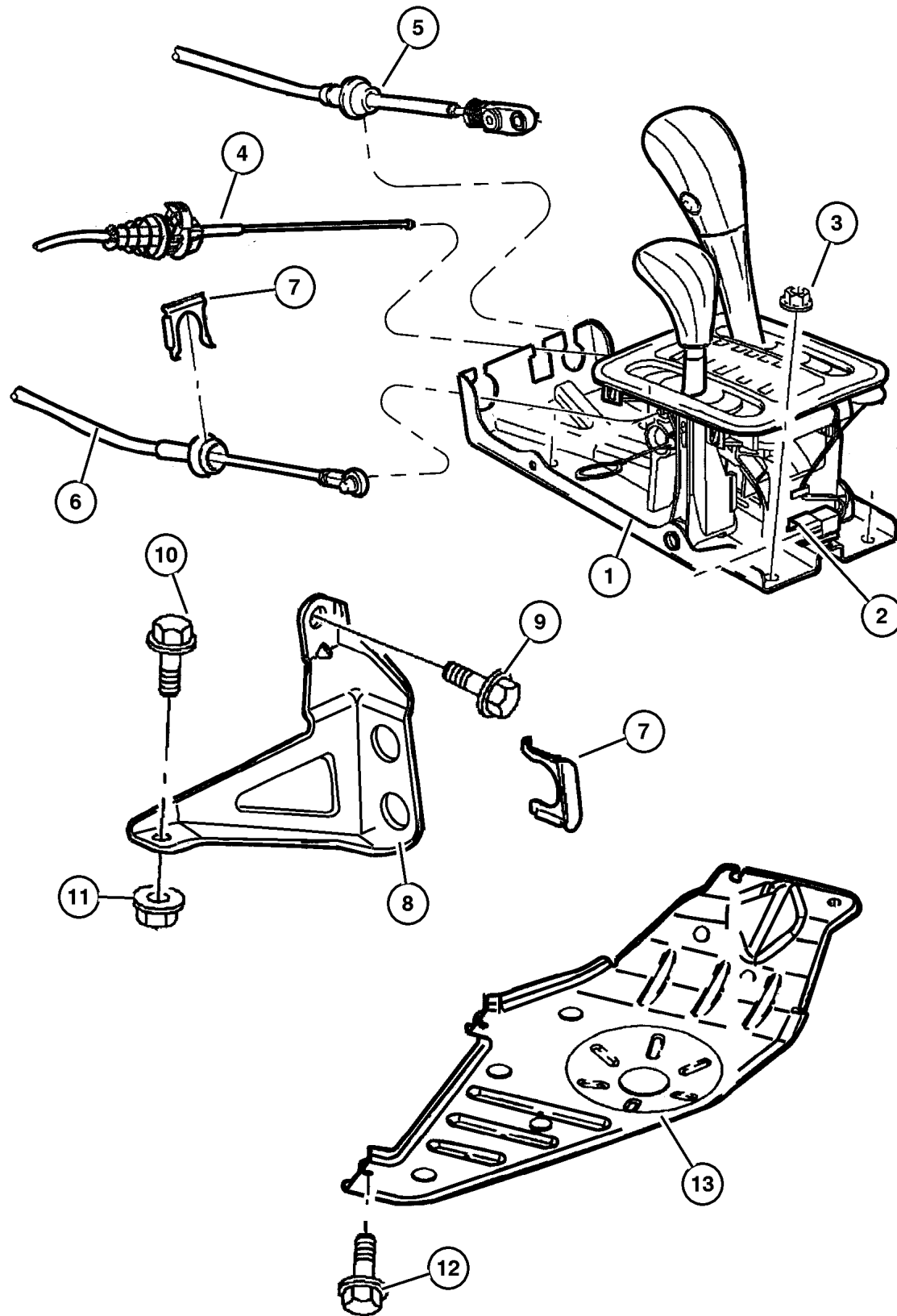
JEEP GRAND CHEROKEE (WJ)

SERIES	LINE	BODY	ENGINE	TRANSMISSION
H=Laredo	J = 4WD	74 = 4 Door(105.9 WB)	ERO, ERH = 4.0L, Power Tech I-6	DGK = 4 Speed Autm, 42RE
P=Limited	T = 2WD		EVO, EVA = 4.7L, Power Tech V8	DGW = 4 Speed Automatic, -44RE
	U = 4WD (RHD)		EXA, EX0 = 3.1L, 5 Cyl Turbo Diesel	DG4 = Multi Speed Automatic, -45RFE
				DGO = All Automatic

AR = Use as required - = Non illustrated part # = New this model year

April 3, 2002

**Gearshift Controls Select Trac [DHP]
Figure 242-1210**



ITEM	PART NUMBER	QTY	LINE	SERIES	ENGINE	TRANS	DESCRIPTION
NOTES: Sales Codes und in the VIN number							
[DG0] = All Automatic Transmission und in the VIN number							
[DGK] = 42RE Automatic Transmission und in the VIN number							
[DGW] = 44RE 4 Speed Automatic Transmission und in the VIN number							
[EX0] = All 3.0/3.1L Turbo Diesel Engine und in the VIN number							
1							HOUSING AND LEVER, Shifter
	5210 4149	1	J			DG0	
	5210 4147	1	T			DG0	
2	5013 117AA	1	J			DG0	CONNECTOR, Wiring
3	6101 695	4					NUT, Hex Flange Lock, M8x1.25
4	5210 4054	1				DG0	CABLE, Park Interlock
5	5210 4060	1				DG0	CABLE, Gearshift Control
6	5210 4218	1	J, U			DG0	CABLE, Gearshift Control
7	4269 830	2	J, U				CLIP, Cable
8	5210 4219	1	J, U			DGK, DGW	BRACKET, Torque Shaft
9	6503 119	4					SCREW AND WASHER, Hex Head, M10x1.5x40
10	6101 054	1	J, U			DGK, DGW	BOLT AND WASHER, Hex Head, M10x1.5x40
11	0115 984	1				DGW	NUT, Brake Line
12	6503 571	4					SCREW AND WASHER, M10x1.50x35
13	52059 302AA	1	J, U		EX0		SKID PLATE, Front

JEEP GRAND CHEROKEE (WJ)

SERIES	LINE	BODY	ENGINE	TRANSMISSION
H=Laredo	J = 4WD	74 = 4 Door(105.9 WB)	ER0, ERH = 4.0L, Power Tech I-6	DGK = 4 Speed Autm, 42RE
P=Limited	T = 2WD		EV0, EVA = 4.7L, Power Tech V8	DGW = 4 Speed Automatic, -44RE
	U = 4WD (RHD)		EXA, EX0 = 3.1L, 5 Cyl Turbo Diesel	DG4 = Multi Speed Automatic, -45RFE
				DGO = All Automatic

AR = Use as required - = Non illustrated part # = New this model year

April 3, 2002

Group – 247

Transfer Case Model 247

GROUP 247 - Transfer Case Model 247

Illustration Title

Group-Fig. No.

Transfer Case Assembly

Transfer Case Quadra Trac II on Demand [DHF] Fig. 247-110

Case and Related Parts

Case and Related Parts Quadra Trac II on Demand [DHF] Fig. 247-210

Gear Train

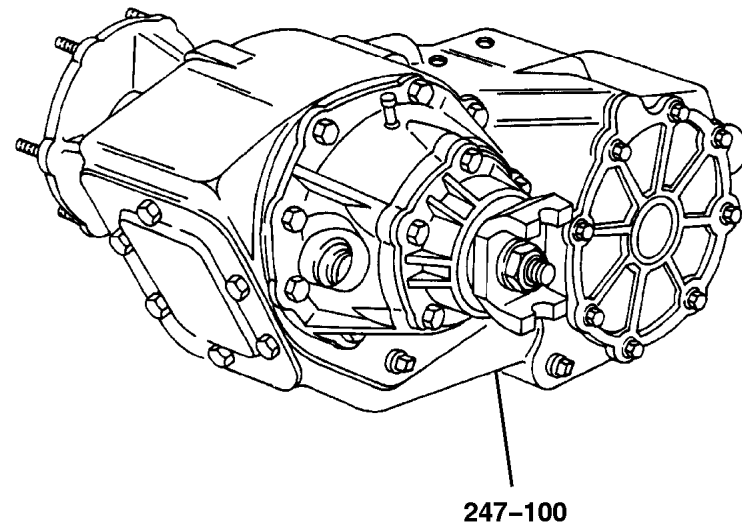
Gear Train Quadra Trac II on Demand [DHF] Fig. 247-410

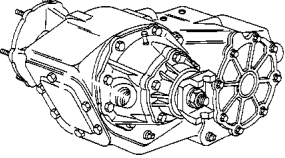
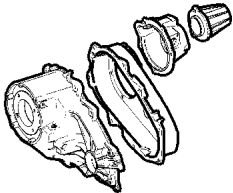
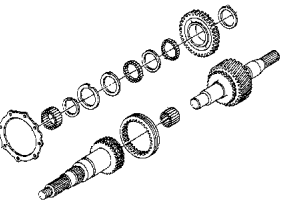
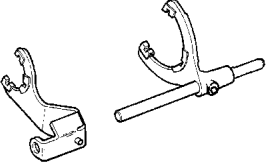

Fork and Rails

Fork and Rails Quadra Trac II on Demand [DHF] Fig. 247-910

Gearshift Controls

Gearshift Controls Quadra Trac II on Demand [DHF] Fig. 247-1210

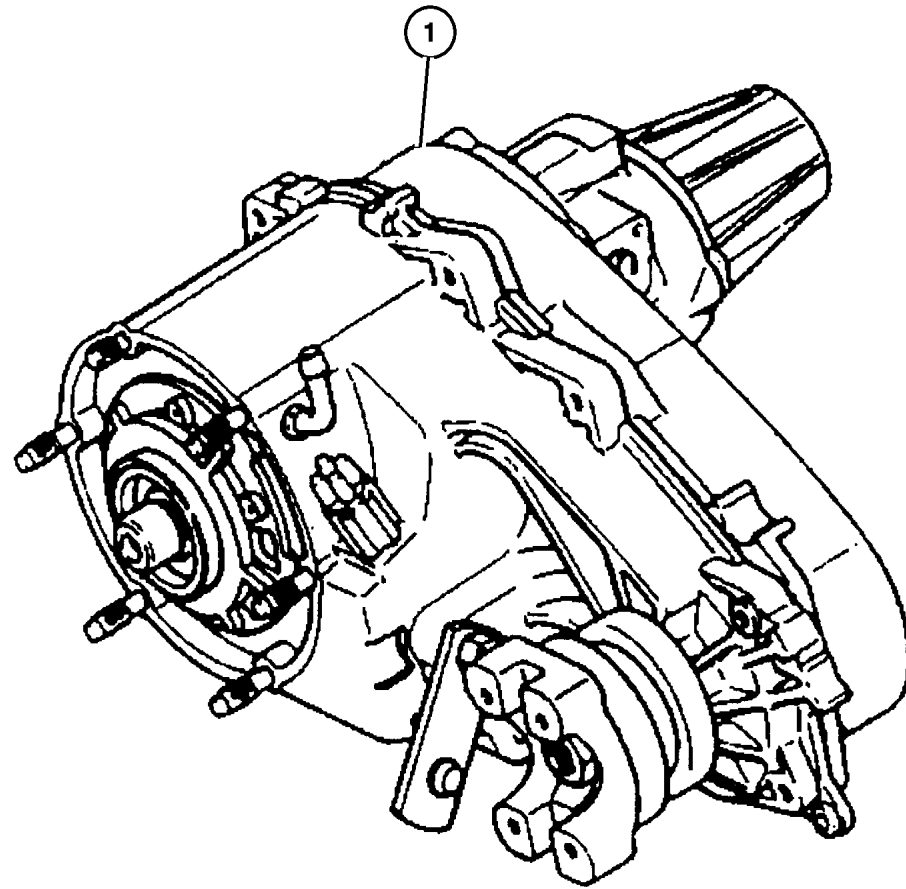


<p>247-100 Transfer Case Assembly</p> 	<p>247-200 Case and Related Parts</p> 	<p>247-400 Gear Train</p> 	<p>247-900 Fork and Rails</p> 
<p>247-1200 Gearshift Controls</p> 			

**Transfer Case Quadra Trac II on Demand [DHF]
Figure 247-110**

ITEM	PART NUMBER	QTY	LINE	SERIES	ENGINE	TRANS	DESCRIPTION
------	-------------	-----	------	--------	--------	-------	-------------

NOTES: Sales Codes und in the VIN number
 [EV0] = All 4.7L Gas Engines und in the VIN number
 [ER0] = All 4.0L 6 Cylinder Gas Engines und in the VIN number
 [EX0] = All 3.0/3.1L Turbo Diesel Engine und in the VIN number
 und in the VIN number
 und in the VIN number
 und in the VIN number
 und in the VIN number
 . und in the VIN number



1							TRANSFER CASE, NP247
	52098 871AB	1	J, U		ER0		
	52098 872AB	1	J, U		EV0		
	52098 873AC	1	J, U		EX0		

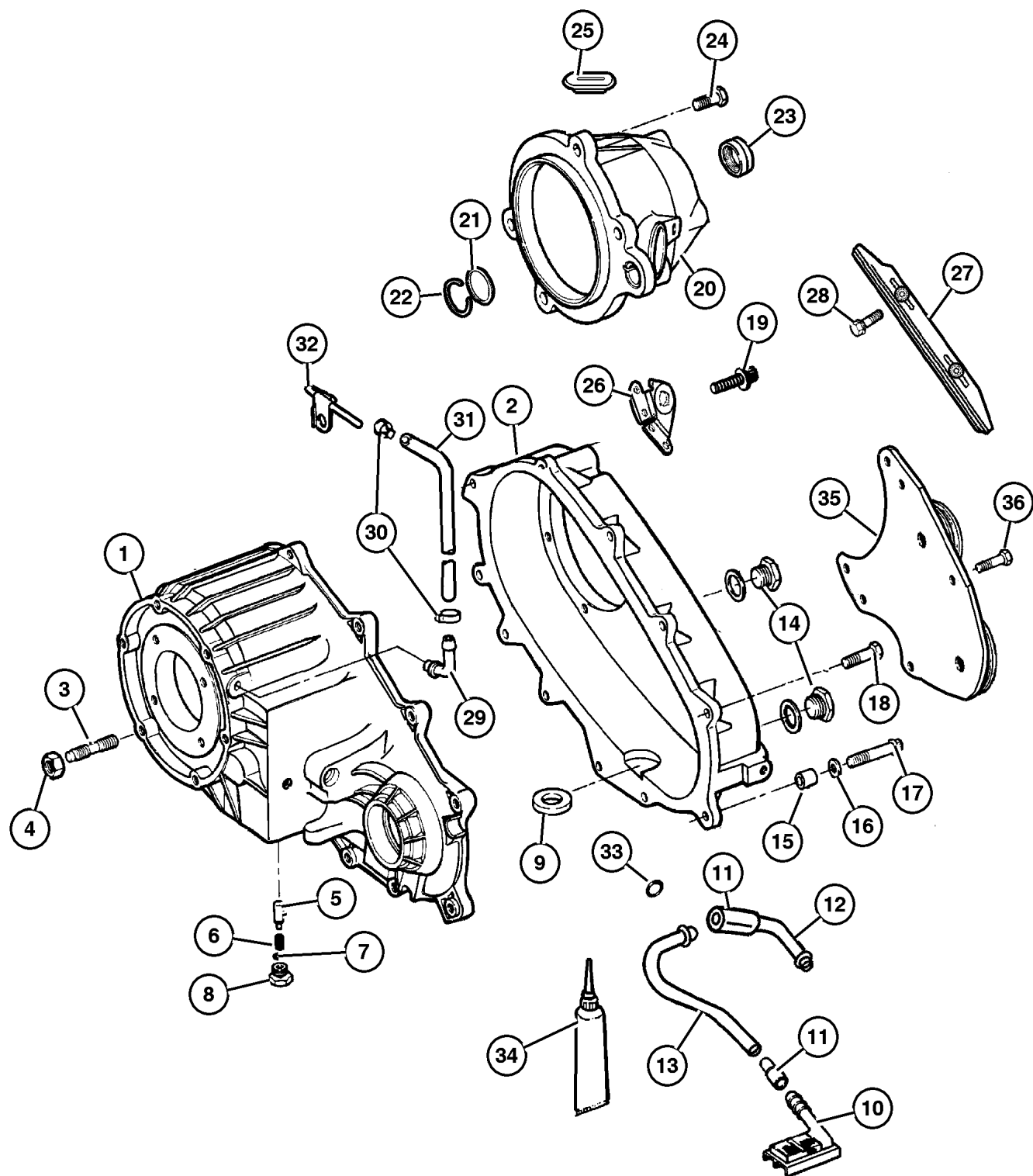
JEEP GRAND CHEROKEE (WJ)

SERIES	LINE	BODY	ENGINE	TRANSMISSION
H=Laredo	J = 4WD	74 = 4 Door(105.9 WB)	ER0, ERH = 4.0L, Power Tech I-6	DGK = 4 Speed Autm, 42RE
P=Limited	T = 2WD		EV0, EVA = 4.7L, Power Tech V8	DGW = 4 Speed Automatic, -44RE
	U = 4WD (RHD)		EXA, EX0 = 3.1L, 5 Cyl Turbo Diesel	DG4 = Multi Speed Automatic, -45RFE
				DGO = All Automatic

AR = Use as required - = Non illustrated part # = New this model year

April 3, 2002

**Case and Related Parts Quadra Trac II on Demand [DHF]
Figure 247-210**



ITEM	PART NUMBER	QTY	LINE	SERIES	ENGINE	TRANS	DESCRIPTION
NOTES: Sales Codes und in the VIN number							
[EV0] = All 4.7L Gas Engines und in the VIN number							
[ER0] = All 4.0L 6 Cylinder Gas Engines und in the VIN number							
[EX0] = All 3.0/3.1L Turbo Diesel Engine und in the VIN number							
1							CASE, Transfer Front
	5012 309AA	1	J, U		ER0		
		1	J, U		EV0		
	5012 341AA	1	J, U		EX0		
2							CASE, Transfer Case Rear
	5012 323AA	1	J, U		EV0		
		1	J, U		ER0		
	5013 010AA	1	J, U		EX0		
3							STUD
	4505 365	6	J, U		ER0		
		6	J, U		EX0		
	5012 310AA	6	J, U		EV0		
4	J400 6681	6	J, U				NUT AND CONED WASHER, Hex, .375-24
5							PLUNGER
	5300 8217	1	J, U		EV0		
		1	J, U		EX0		Export, Europe
		1	J, U		ER0		
6							SPRING, Shift Detent
	4638 497	1	J, U		EX0		
		1	J, U		ER0		Export, Europe
		1	J, U		EV0		
7							SEAL, Vacuum Switch
	4338 956	1	J, U		EX0		
		1	J, U		ER0		
		1	J, U		EV0		
8							SCREW
	4886 473AA	1	J, U		ER0		
		1	J, U		EX0		Export, Europe
		1	J, U		EV0		
9							MAGNET, Transmission
	3681 601	1	J, U		EX0		
		1	J, U		ER0		Export, Europe
		1	J, U		EV0		
10							FILTER, Transfer Case Oil
	5012 326AA	1	J, U		EV0		
		1	J, U		ER0		
	5013 011AA	1	J, U		EX0		Export, Europe
11							CONNECTOR, Oil Tube Pickup

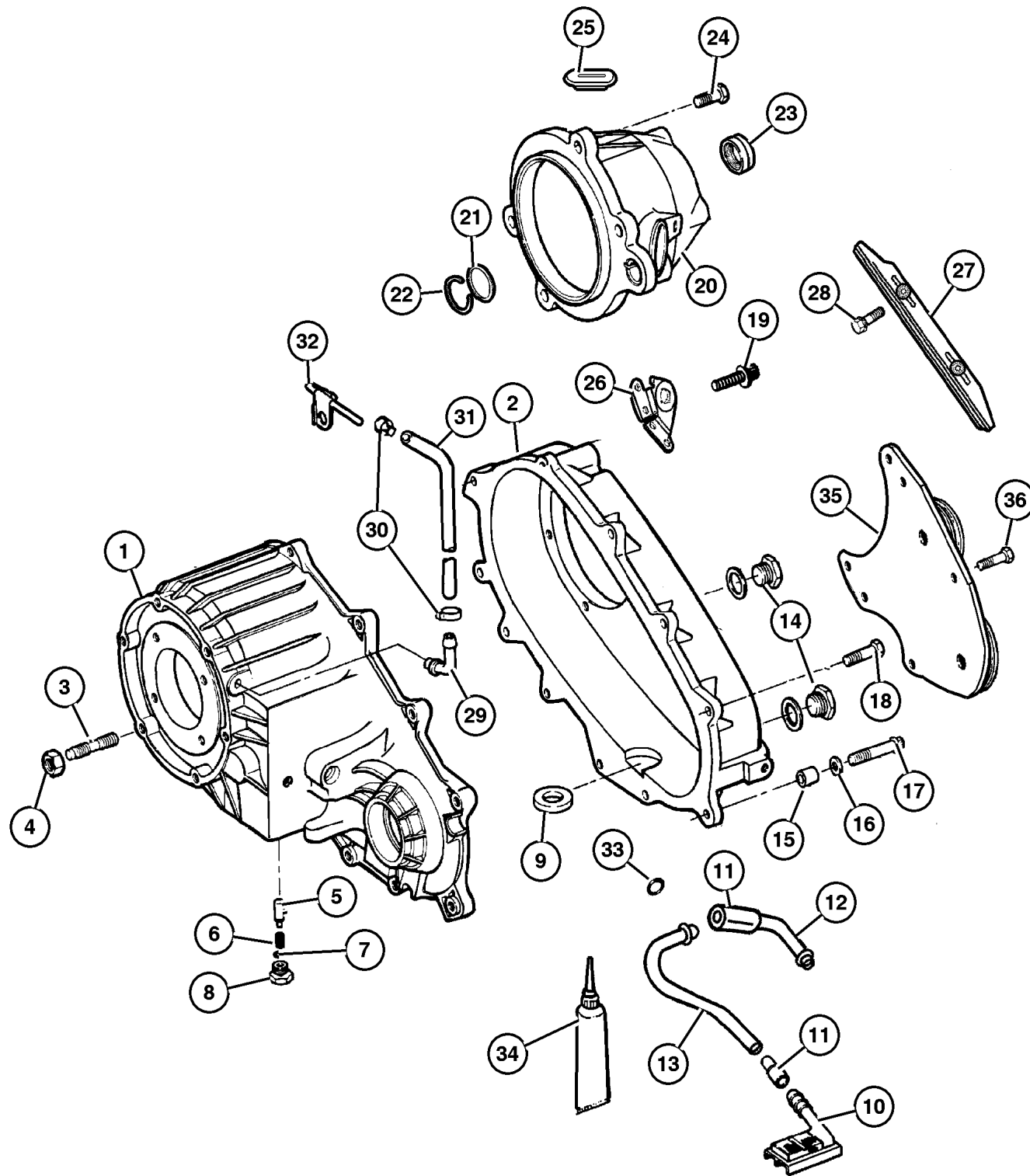
JEEP GRAND CHEROKEE (WJ)

SERIES	LINE	BODY	ENGINE	TRANSMISSION
H=Laredo	J = 4WD	74 = 4 Door(105.9 WB)	ER0, ERH = 4.0L, Power Tech I-6	DGK = 4 Speed Autm, 42RE
P=Limited	T = 2WD		EV0, EVA = 4.7L, Power Tech V8	DGW = 4 Speed Automatic, -44RE
	U = 4WD (RHD)		EXA, EX0 = 3.1L, 5 Cyl Turbo Diesel	DG4 = Multi Speed Automatic, -45RFE
				DGO = All Automatic

AR = Use as required - = Non illustrated part # = New this model year

April 3, 2002

Case and Related Parts Quadra Trac II on Demand [DHF]
Figure 247-210



ITEM	PART NUMBER	QTY	LINE	SERIES	ENGINE	TRANS	DESCRIPTION
	5012 327AA	1	J, U		EX0		
		2	J, U		ER0		
		2	J, U		EVO		
12	5012 328AA	1	J, U		EVO		TUBE, Oil Pickup
	5013 012AA	1	J, U		EX0		
	5013 018AA	1	J, U		ER0		
13	5012 328AA	1	J, U		ER0		TUBE, Oil Pickup
		1	J, U		EVO		
14	5013 012AA	1	J, U		EX0		Export, Europe PLUG, Oil Fill
	4856 641	2	J, U		EX0		Export, Europe
		2	J, U		ER0		
		2	J, U		EVO		
15	4116 310	2	J, U		ER0		DOWEL, Transfer Case
		2	J, U		EVO		
16	4210 983	2	J, U		ER0		WASHER, Flat
		2	J, U		EVO		
17	4210 614	2	J, U		ER0		BOLT, Hex Flange Head
		2	J, U		EVO		
	5013 013AA	18	J, U		EX0		
18	4210 617	6	J, U		ER0		BOLT, Transfer Case
		6	J, U		EVO		
19	J813 0979	3	J, U		ER0		BOLT, Twelve Point Head, M10x1.5x48, w/ 52098871
20	5012 332AA	1	J, U		ER0		RETAINER, Transfer Case Rear
21	4638 902	1	J, U		ER0		BUSHING, Extension Housing
		1	J, U		EVO		
22	4638 905	1	J, U		ER0		SNAP RING
		1	J, U		EVO		
23	4897 298AA	1	J, U		ER0		SEAL, Output Shaft
		1	J, U		EVO		
	5013 019AA	1	J, U		EX0		
24							BOLT, Retainer

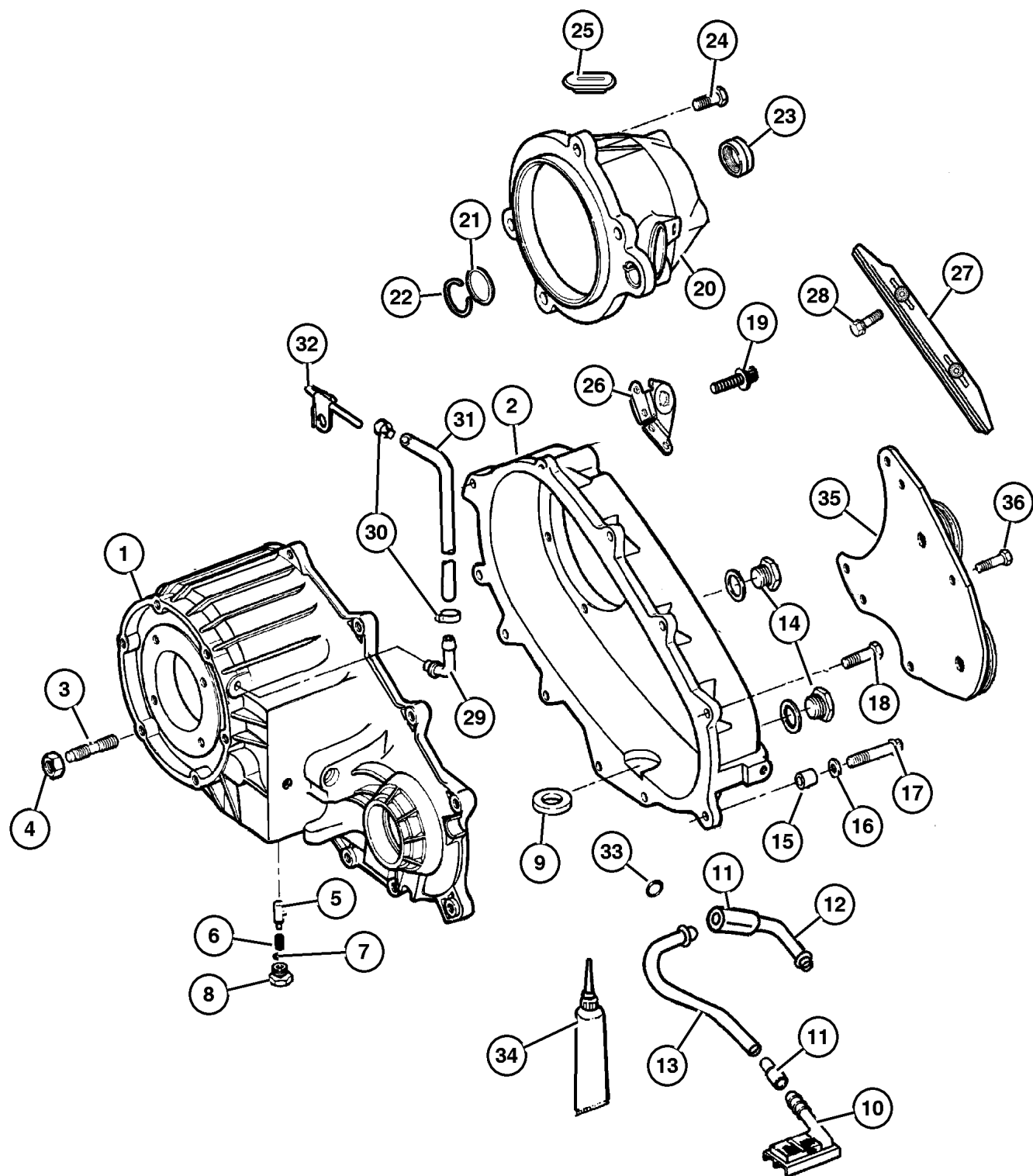
JEEP GRAND CHEROKEE (WJ)

SERIES	LINE	BODY	ENGINE	TRANSMISSION
H=Laredo	J = 4WD	74 = 4 Door(105.9 WB)	ER0, ERH = 4.0L, Power Tech I-6	DGK = 4 Speed Autm, 42RE
P=Limited	T = 2WD		EVO, EVA = 4.7L, Power Tech V8	DGW = 4 Speed Automatic, -44RE
	U = 4WD (RHD)		EXA, EX0 = 3.1L, 5 Cyl Turbo Diesel	DG4 = Multi Speed Automatic, -45RFE
				DGO = All Automatic

AR = Use as required - = Non illustrated part # = New this model year

April 3, 2002

Case and Related Parts Quadra Trac II on Demand [DHF]
Figure 247-210



ITEM	PART NUMBER	QTY	LINE	SERIES	ENGINE	TRANS	DESCRIPTION
	6501 371	6	J, U		EX0		Export, Europe
25		4	J, U		ER0		PLUG
	5010 123AA	1	J, U		ER0		
		1	J, U		EVO		
26	5211 8181	1	J, U		ER0		CLIP, w/52098871
27							SNUBBER, Drive Chain
	5012 324AA	1	J, U		ER0		
		1	J, U		EX0		
		1	J, U		EVO		
28							BOLT
	5012 325AA	2	J, U		ER0		
		2	J, U		EX0		
		2	J, U		EVO		
29							VENT, Transfer Case
	4796 910	1	J, U		ER0		
		1	J, U		EVO		
		1	J, U		EX0		
30	6502 081	2	J, U				CLAMP, Oil Cooler Line
31	4443 176	1			EX0		HOSE, Fuel, .31 I.D. 50 Foot Roll
32	5300 7494	1	J, U				VENT, Transfer Case
33							SEAL, Transfer Case
	5013 016AB	1	J, U		EX0		
		1	J, U		ER0		
		1	J, U		EVO		
34	5010 884AA	1					SEALANT, RTV
35	5013 022AA	1	J, U		EX0		DAMPER, Transfer Case
36	6501 371	6	J, U		EX0		BOLT, Retainer

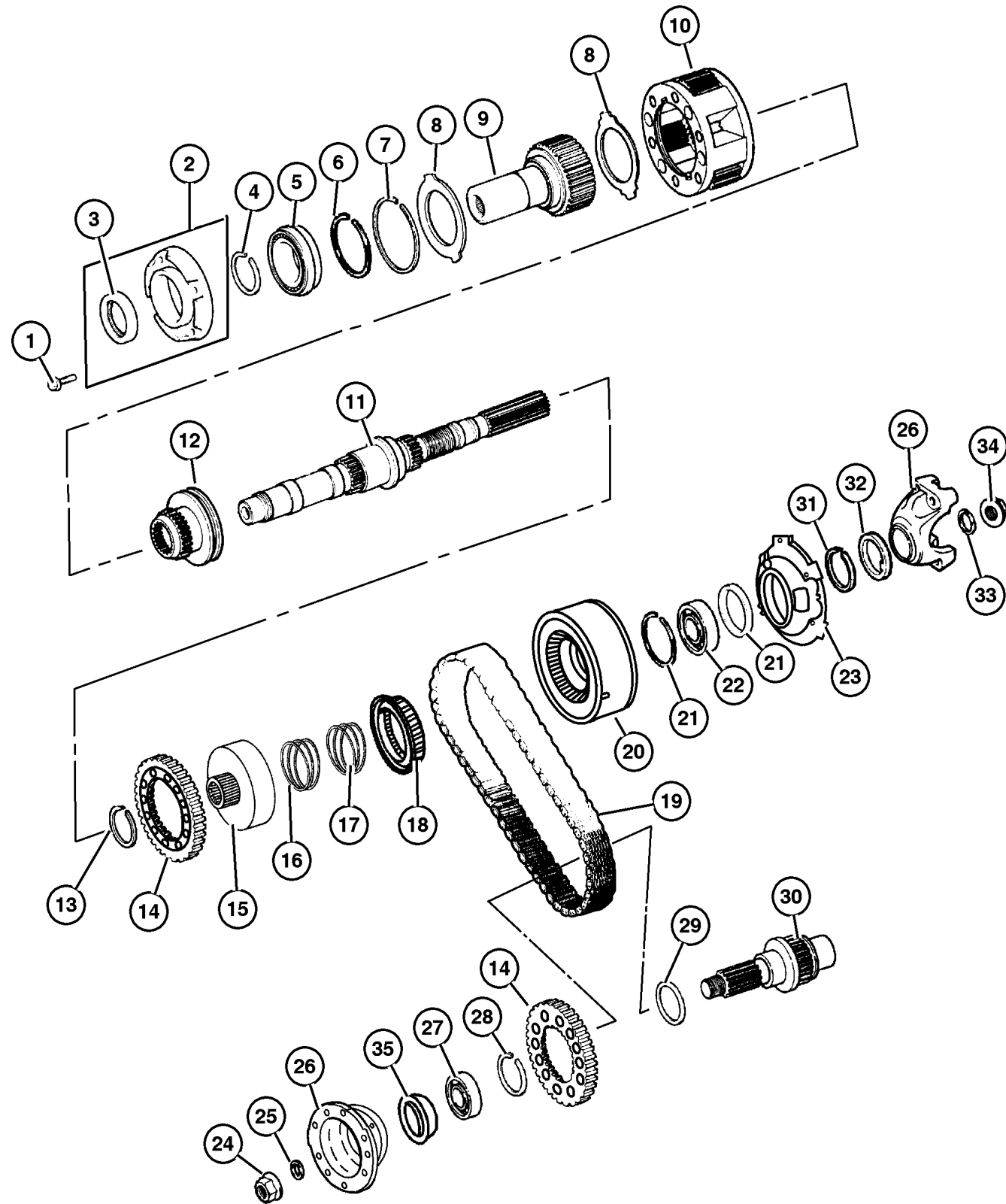
JEEP GRAND CHEROKEE (WJ)

SERIES	LINE	BODY	ENGINE	TRANSMISSION
H=Laredo	J = 4WD	74 = 4 Door(105.9 WB)	ER0, ERH = 4.0L, Power Tech I-6	DGK = 4 Speed Autm, 42RE
P=Limited	T = 2WD		EVO, EVA = 4.7L, Power Tech V8	DGW = 4 Speed Automatic, -44RE
	U = 4WD (RHD)		EXA, EX0 = 3.1L, 5 Cyl Turbo Diesel	DG4 = Multi Speed Automatic, -45RFE
				DGO = All Automatic

AR = Use as required - = Non illustrated part # = New this model year

April 3, 2002

**Gear Train Quadra Trac II on Demand [DHF]
Figure 247-410**



ITEM	PART NUMBER	QTY	LINE	SERIES	ENGINE	TRANS	DESCRIPTION
NOTES: Sales Codes und in the VIN number							
[EV0] = All 4.7L Gas Engines und in the VIN number							
[ER0] = All 4.0L 6 Cylinder Gas Engines und in the VIN number							
[EX0] = All 3.0/3.1L Turbo Diesel Engine und in the VIN number							
1							BOLT
	6500 318	4	J, U		ER0		
		4	J, U		EVO		
2							EXTENSION, Transfer Case
	4864 782	1	J, U		ER0		
		1	J, U		EVO		
3							SEAL, Input Gear
	4798 033	1	J, U		ER0		
		1	J, U		EX0		
		1	J, U		EVO		
4							SNAP RING
	3821 558	1	J, U		ER0		
		1	J, U		EX0		
		1	J, U		EVO		
5							BEARING, Input Gear
	4746 155	1	J, U		ER0		
		1	J, U		EVO		
	5012 997AA	1	J, U		EX0		
6							SNAP RING
	4338 910	1	J, U		ER0		
		1	J, U		EX0		
		1	J, U		EVO		
7							RING
	4338 909	1	J, U		ER0		
		1	J, U		EX0		
		1	J, U		EVO		
8							THRUST WASHER, Planetary Carrier
	4338 908	2	J, U		ER0		
		2	J, U		EVO		
		2	J, U		EX0		
9							GEAR, Input
	4798 126	1	J, U		ER0		
		1	J, U		EX0		
	5012 311AA	1	J, U		EVO		
10							PLANETARY, Transfer Case
	4796 903	1	J, U		ER0		
		1	J, U		EVO		
	4797 030	1	J, U		EX0		
11							MAINSHAFT, Transfer Case

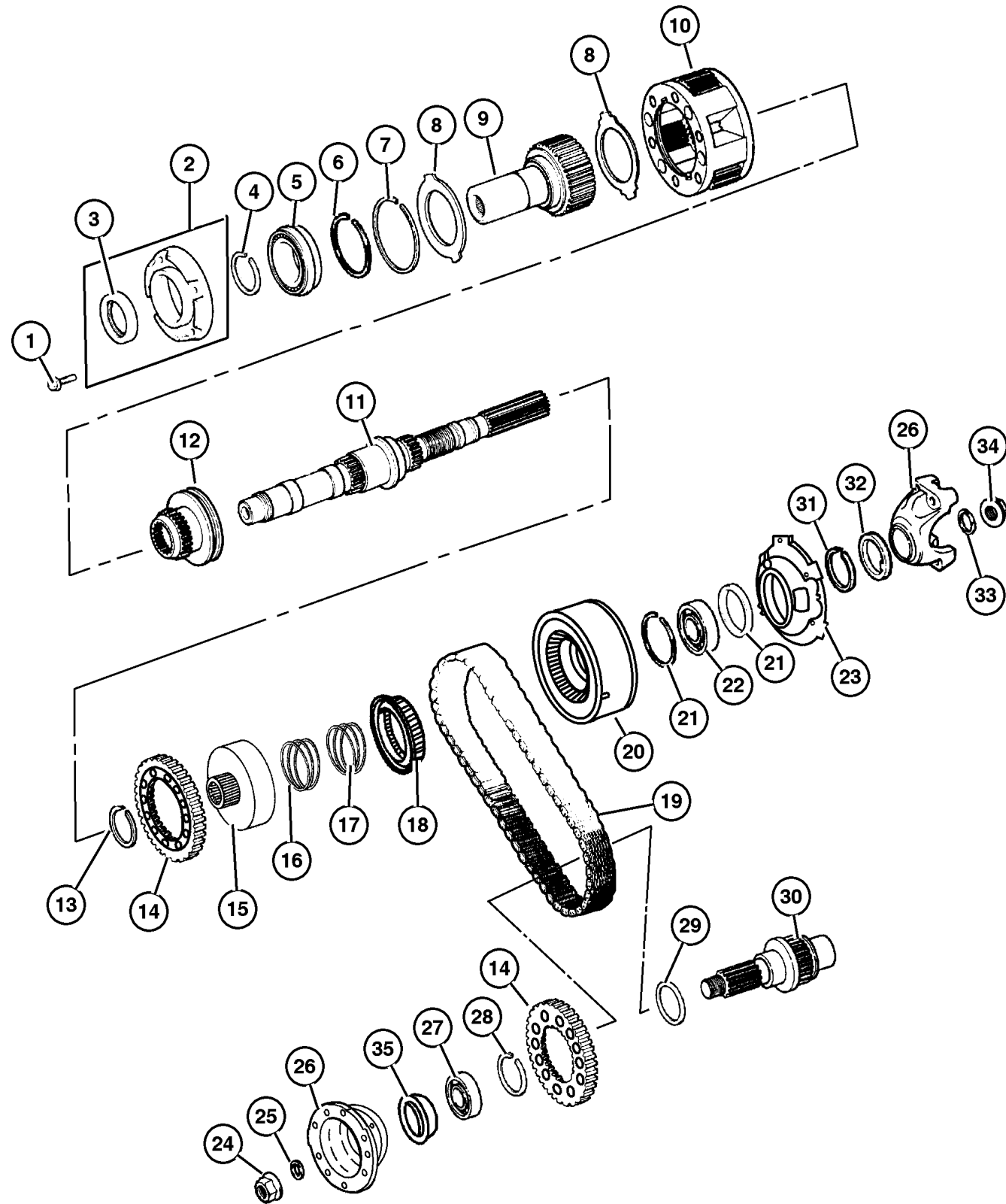
JEEP GRAND CHEROKEE (WJ)

SERIES	LINE	BODY	ENGINE	TRANSMISSION
H=Laredo	J = 4WD	74 = 4 Door(105.9 WB)	ER0, ERH = 4.0L, Power Tech I-6	DGK = 4 Speed Autm, 42RE
P=Limited	T = 2WD		EVO, EVA = 4.7L, Power Tech V8	DGW = 4 Speed Automatic, -44RE
	U = 4WD (RHD)		EXA, EX0 = 3.1L, 5 Cyl Turbo Diesel	DG4 = Multi Speed Automatic, -45RFE
				DGO = All Automatic

AR = Use as required - = Non illustrated part # = New this model year

April 3, 2002

**Gear Train Quadra Trac II on Demand [DHF]
Figure 247-410**



ITEM	PART NUMBER	QTY	LINE	SERIES	ENGINE	TRANS	DESCRIPTION
	5012 313AA	1	J, U		ER0		
		1	J, U		EVO		
12	5012 999AA	1	J, U		EX0		SLEEVE, Shift Range
	5012 314AA	1	J, U		ER0		
		1	J, U		EX0		
		1	J, U		EVO		
13							SNAP RING
	4798 130	1	J, U		ER0		
		1	J, U		EX0		
		1	J, U		EVO		
14							SPROCKET, Drive
	5012 319AA	2	J, U		ER0		
		2	J, U		EX0		
		2	J, U		EVO		
15							CARRIER, Sprocket
	5012 315AA	1	J, U		ER0		
		1	J, U		EVO		
		1	J, U		EX0		
16							SPRING, Clutch
	4798 131	1	J, U		ER0		
		1	J, U		EX0		
		1	J, U		EVO		
17							SPRING, Clutch
	4897 521AA	1	J, U		ER0		
		1	J, U		EX0		
		1	J, U		EVO		
18							CLUTCH, Oneway
	4897 520AA	1	J, U		ER0		
		1	J, U		EX0		
		1	J, U		EVO		
19							CHAIN, Transfer Case
	5012 322AB	1	J, U		ER0		
		1	J, U		EVO		
	5012 322AA	1	J, U		EX0		
20							PUMP, Transfer Case Gear Rotor
	5012 329AA	1	J, U		ER0		
		1	J, U		EX0		
		1	J, U		EVO		
21							SNAP RING
	4446 478	2	J, U		ER0		
		1	J, U		EX0		

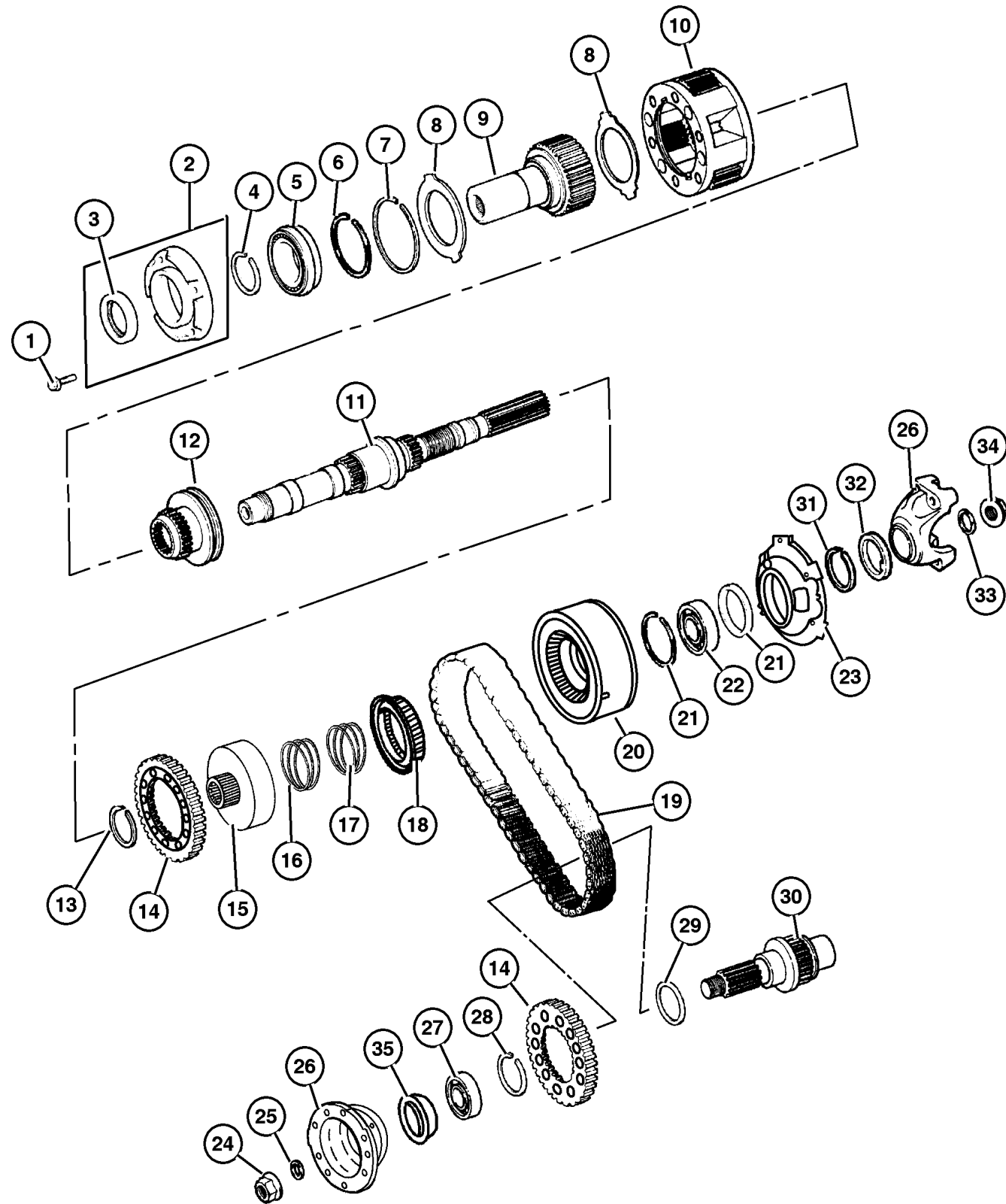
JEEP GRAND CHEROKEE (WJ)

SERIES	LINE	BODY	ENGINE	TRANSMISSION
H=Laredo	J = 4WD	74 = 4 Door(105.9 WB)	ER0, ERH = 4.0L, Power Tech I-6	DGK = 4 Speed Autm, 42RE
P=Limited	T = 2WD		EVO, EVA = 4.7L, Power Tech V8	DGW = 4 Speed Automatic, -44RE
	U = 4WD (RHD)		EXA, EX0 = 3.1L, 5 Cyl Turbo Diesel	DG4 = Multi Speed Automatic, -45RFE
				DGO = All Automatic

AR = Use as required - = Non illustrated part # = New this model year

April 3, 2002

**Gear Train Quadra Trac II on Demand [DHF]
Figure 247-410**



ITEM	PART NUMBER	QTY	LINE	SERIES	ENGINE	TRANS	DESCRIPTION
		2	J, U		EVO		
22	4638 899	1	J, U		ER0		BEARING, Output Shaft
		1	J, U		EX0		
		1	J, U		EVO		
23	5013 017AB	1	J, U		ER0		PUMP, Transfer Case Oil
		1	J, U		EX0		
		1	J, U		EVO		
24	4167 924	1	J, U		ER0		NUT, Transfer Case Yoke
		1	J, U		EX0		
		1	J, U		EVO		
25	4210 973	1	J, U		EX0		WASHER, Transfer Case Yoke
		1	J, U		ER0		
		1	J, U		EVO		
26	5012 308AA	1	J, U		ER0		YOKE, Transfer Case
		1	J, U		EX0		Front
		1	J, U		EVO		Front
		1	J, U		EVO		Front
27	5013 021AA	1	J, U		EX0		Rear
	2466 224	1	J, U		EX0		BEARING, Output Shaft
		1	J, U		ER0		
		1	J, U		EVO		
28	5012 320AA	2	J, U		ER0		SNAP RING
		2	J, U		EX0		
		2	J, U		EVO		
29	4210 973	1	J, U		ER0		WASHER, Transfer Case Yoke
		1	J, U		EX0		
		1	J, U		EVO		
30	5012 321AA	1	J, U		ER0		OUTPUT SHAFT, Transfer Case
		1	J, U		EX0		
		1	J, U		EVO		
31	5013 014AA	1	J, U		ER0		WASHER
		1	J, U		EX0		
		1	J, U		EVO		
32							SNAP RING

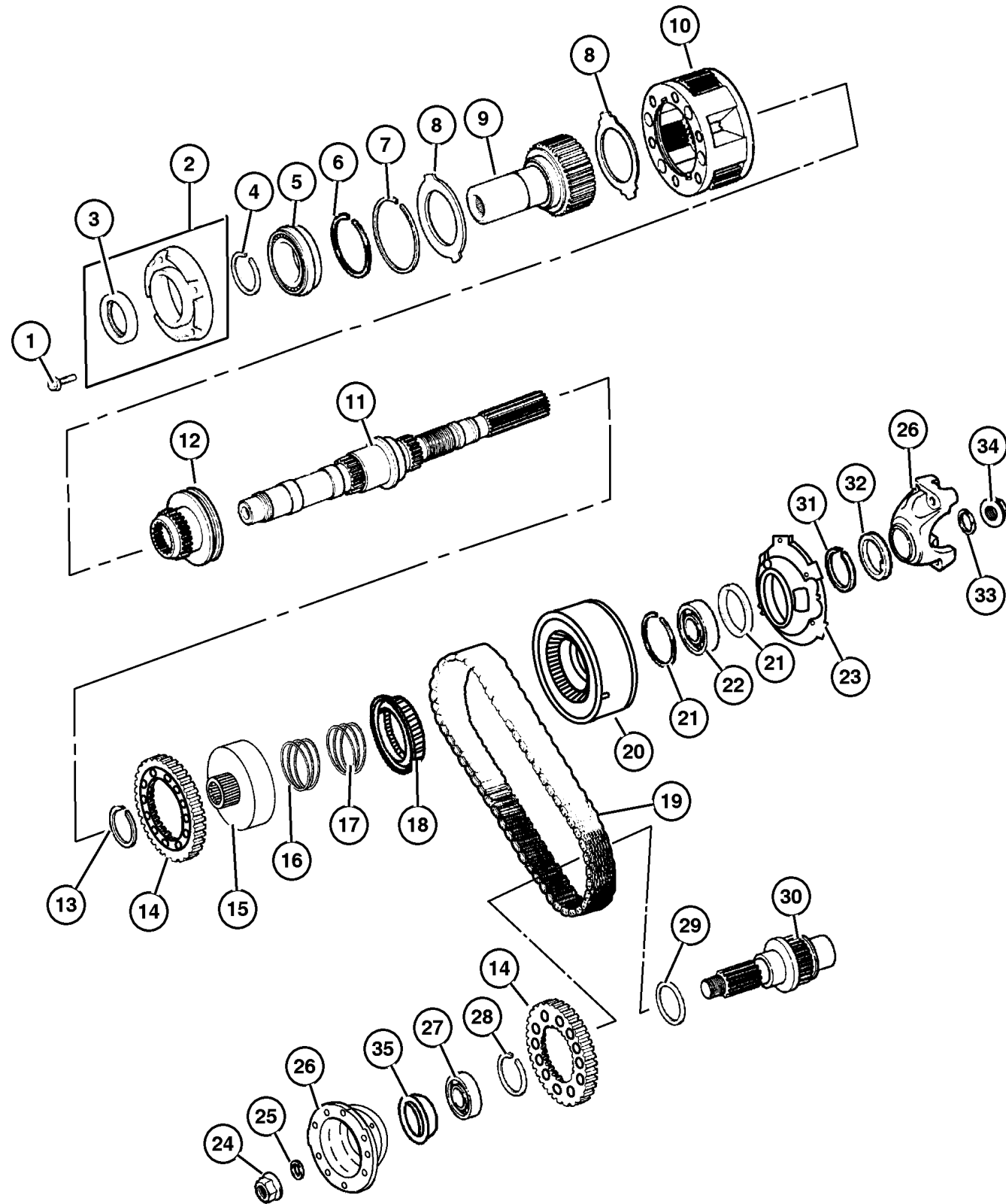
JEEP GRAND CHEROKEE (WJ)

SERIES	LINE	BODY	ENGINE	TRANSMISSION
H=Laredo	J = 4WD	74 = 4 Door(105.9 WB)	ER0, ERH = 4.0L, Power Tech I-6	DGK = 4 Speed Autm, 42RE
P=Limited	T = 2WD		EVO, EVA = 4.7L, Power Tech V8	DGW = 4 Speed Automatic, -44RE
	U = 4WD (RHD)		EXA, EX0 = 3.1L, 5 Cyl Turbo Diesel	DG4 = Multi Speed Automatic, -45RFE
				DGO = All Automatic

AR = Use as required - = Non illustrated part # = New this model year

April 3, 2002

**Gear Train Quadra Trac II on Demand [DHF]
Figure 247-410**



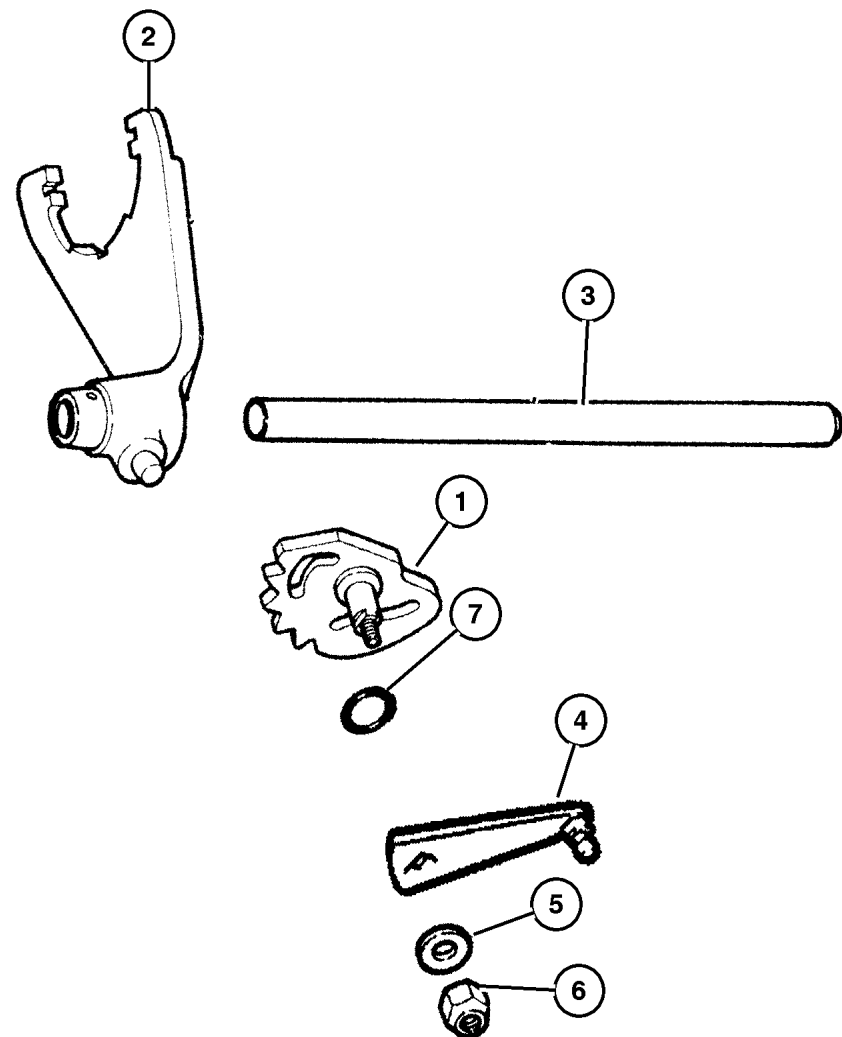
ITEM	PART NUMBER	QTY	LINE	SERIES	ENGINE	TRANS	DESCRIPTION
	5013 015AA	2	J, U		ER0		
		2	J, U		EX0		
		2	J, U		EVO		
33	4446 487	1	J, U		EX0		WASHER, Flat
34	4446 488	1	J, U		EX0		NUT, Hex Flange
35							SEAL, Output Shaft
	4798 125	1	J, U		ER0		
		1	J, U		EVO		

JEEP GRAND CHEROKEE (WJ)				
SERIES	LINE	BODY	ENGINE	TRANSMISSION
H=Laredo	J = 4WD	74 = 4 Door(105.9 WB)	ER0, ERH = 4.0L, Power Tech I-6	DGK = 4 Speed Autm, 42RE
P=Limited	T = 2WD		EVO, EVA = 4.7L, Power Tech V8	DGW = 4 Speed Automatic, -44RE
	U = 4WD (RHD)		EXA, EX0 = 3.1L, 5 Cyl Turbo Diesel	DG4 = Multi Speed Automatic, -45RFE
				DGO = All Automatic

AR = Use as required - = Non illustrated part # = New this model year

April 3, 2002

Fork and Rails Quadra Trac II on Demand [DHF]
Figure 247-910



ITEM	PART NUMBER	QTY	LINE	SERIES	ENGINE	TRANS	DESCRIPTION
NOTES: Sales Codes und in the VIN number							
[EV0] = All 4.7L Gas Engines und in the VIN number							
[ER0] = All 4.0L 6 Cylinder Gas Engines und in the VIN number							
[EX0] = All 3.0/3.1L Turbo Diesel Engine und in the VIN number							
1							SECTOR, Transfer Case
	5012 312AA	1	J, U		ER0		
		1	J, U		EX0		
		1	J, U		EVO		
2							FORK, Range
	4798 136	1	J, U		ER0		
		1	J, U		EX0		
		1	J, U		EVO		
3							RAIL, Transfer Case
	4798 135	1	J, U		ER0		
		1	J, U		EVO		
	5013 003AA	1	J, U		EX0		
4							LEVER, Transfer Case
	5012 333AA	1	J, U		ER0		
		1	J, U		EX0		
		1	J, U		EVO		
5							WASHER, Flat
	S243 6163	1	J, U		ER0		
		1	J, U		EX0		
		1	J, U		EVO		
6							NUT, Hex Flange Lock
	0152 345	1	J, U		ER0		
		1	J, U		EX0		
		1	J, U		EVO		
7							SEAL, O-Ring
	4167 963	1	J, U		ER0		
		1	J, U		EX0		
		1	J, U		EVO		

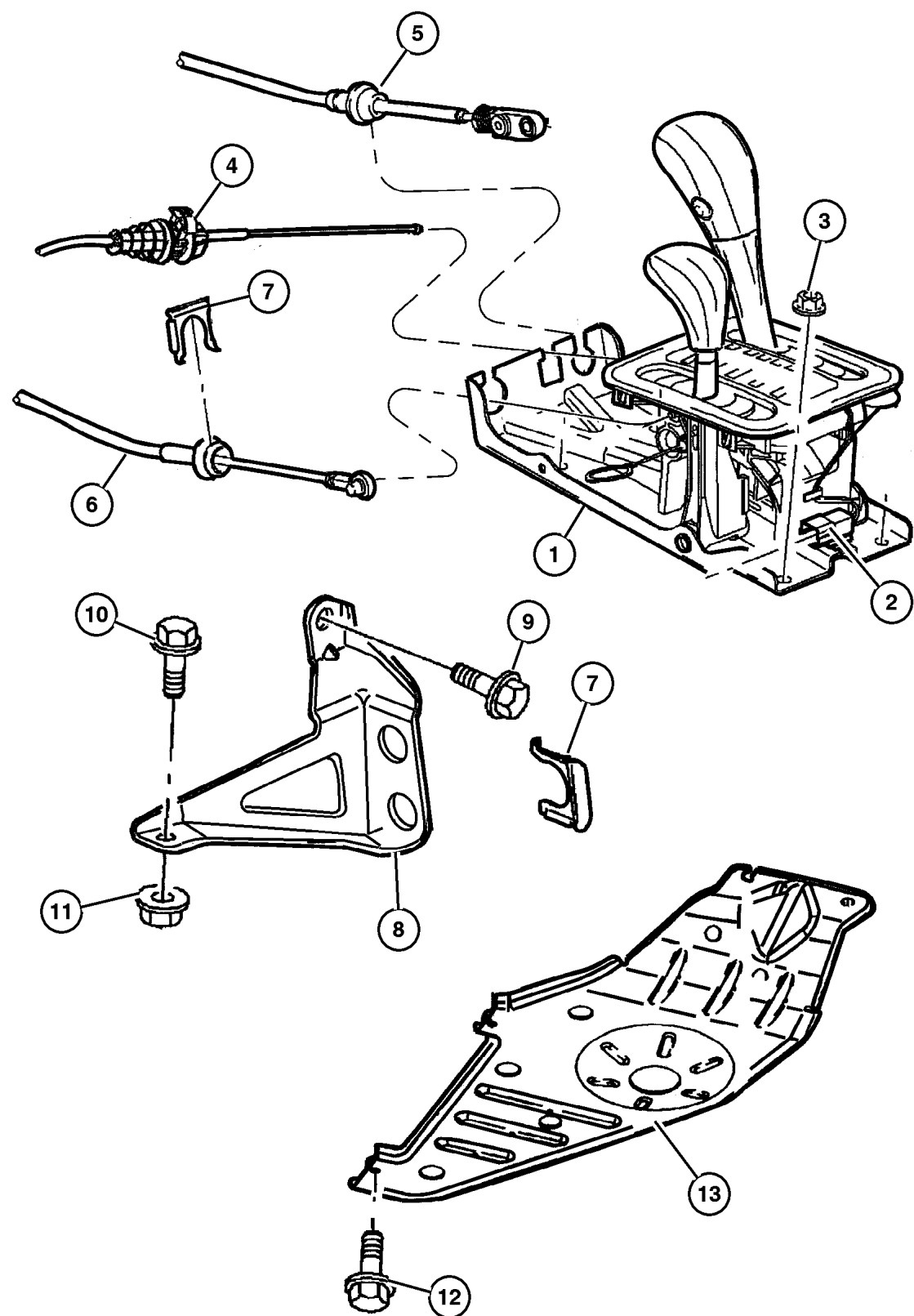
JEEP GRAND CHEROKEE (WJ)

SERIES	LINE	BODY	ENGINE	TRANSMISSION
H=Laredo	J = 4WD	74 = 4 Door(105.9 WB)	ER0, ERH = 4.0L, Power Tech I-6	DGK = 4 Speed Autm, 42RE
P=Limited	T = 2WD		EVO, EVA = 4.7L, Power Tech V8	DGW = 4 Speed Automatic,
	U = 4WD (RHD)		EXA, EX0 = 3.1L, 5 Cyl Turbo Diesel	-44RE
				DG4 = Multi Speed Automatic,
				-45RFE
				DGO = All Automatic

AR = Use as required - = Non illustrated part # = New this model year

April 3, 2002

**Gearshift Controls Quadra Trac II on Demand [DHF]
Figure 247-1210**



ITEM	PART NUMBER	QTY	LINE	SERIES	ENGINE	TRANS	DESCRIPTION
NOTES: Sales Codes und in the VIN number							
[DG0] = All Automatic Transmission und in the VIN number							
[DGK] = 42RE Automatic Transmission und in the VIN number							
[DGW] = 44RE 4 Speed Automatic Transmission und in the VIN number							
[EX0] = All 3.0/3.1L Turbo Diesel Engine und in the VIN number							
1							HOUSING AND LEVER, Shifter
	5210 4152	1	U			DG0	Right
	52104 375AA	1	U			DG0	w/DSB, Right
	5210 4151	1	J			DG0	
	52104 374AA	1	J			DG0	w/DSB
2	5013 117AA	1	U			DG0	CONNECTOR, Wiring, w/DSB, Right
3	6101 695	4				DG0	NUT, Hex Flange Lock, M8x1.25
4	5210 4054	1				DG0	CABLE, Park Interlock
5	5210 4060	1				DG0	CABLE, Gearshift Control
6	5210 4218	1	J, U			DG0	CABLE, Gearshift Control
7	4269 830	2	J, U				CLIP, Cable
8	5210 4219	1	J, U			DGK, DGW	BRACKET, Torque Shaft
9	6503 119	4					SCREW AND WASHER, Hex Head, M10x1.5x40
10	6101 054	1	J, U			DGK, DGW	BOLT AND WASHER, Hex Head, M10x1.5x40
11	0115 984	1				DGW	NUT, Brake Line
12	6503 571	4					SCREW AND WASHER, M10x1.50x35
13	52059 302AA	1	J, U		EX0		SKID PLATE, Front

JEEP GRAND CHEROKEE (WJ)

SERIES	LINE	BODY	ENGINE	TRANSMISSION
H=Laredo	J = 4WD	74 = 4 Door(105.9 WB)	ER0, ERH = 4.0L, Power Tech I-6	DGK = 4 Speed Autm, 42RE
P=Limited	T = 2WD		EVO, EVA = 4.7L, Power Tech V8	DGW = 4 Speed Automatic, -44RE
	U = 4WD (RHD)		EXA, EX0 = 3.1L, 5 Cyl Turbo Diesel	DG4 = Multi Speed Automatic, -45RFE
				DGO = All Automatic

AR = Use as required - = Non illustrated part # = New this model year

April 3, 2002

Group – 022

Wheels, Covers and Jacks

GROUP 22 - Wheels, Covers and Jacks

Illustration Title

Group-Fig. No.

Wheels and Hardware

Wheels and Hardware Fig. 022-130

Wheel Covers and Center Caps

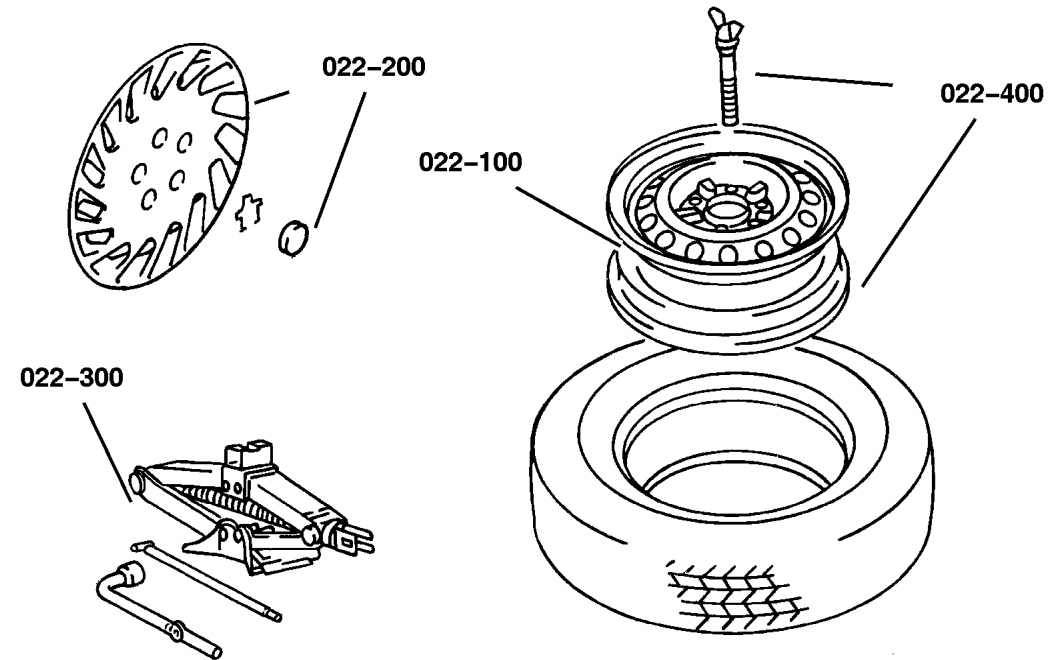
Caps, Wheel Cover and center Fig. 022-230


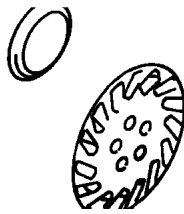
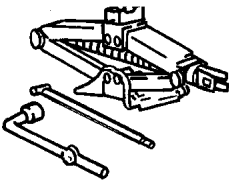
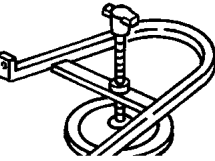
Jack Stowage

Jack Stowage Fig. 022-330

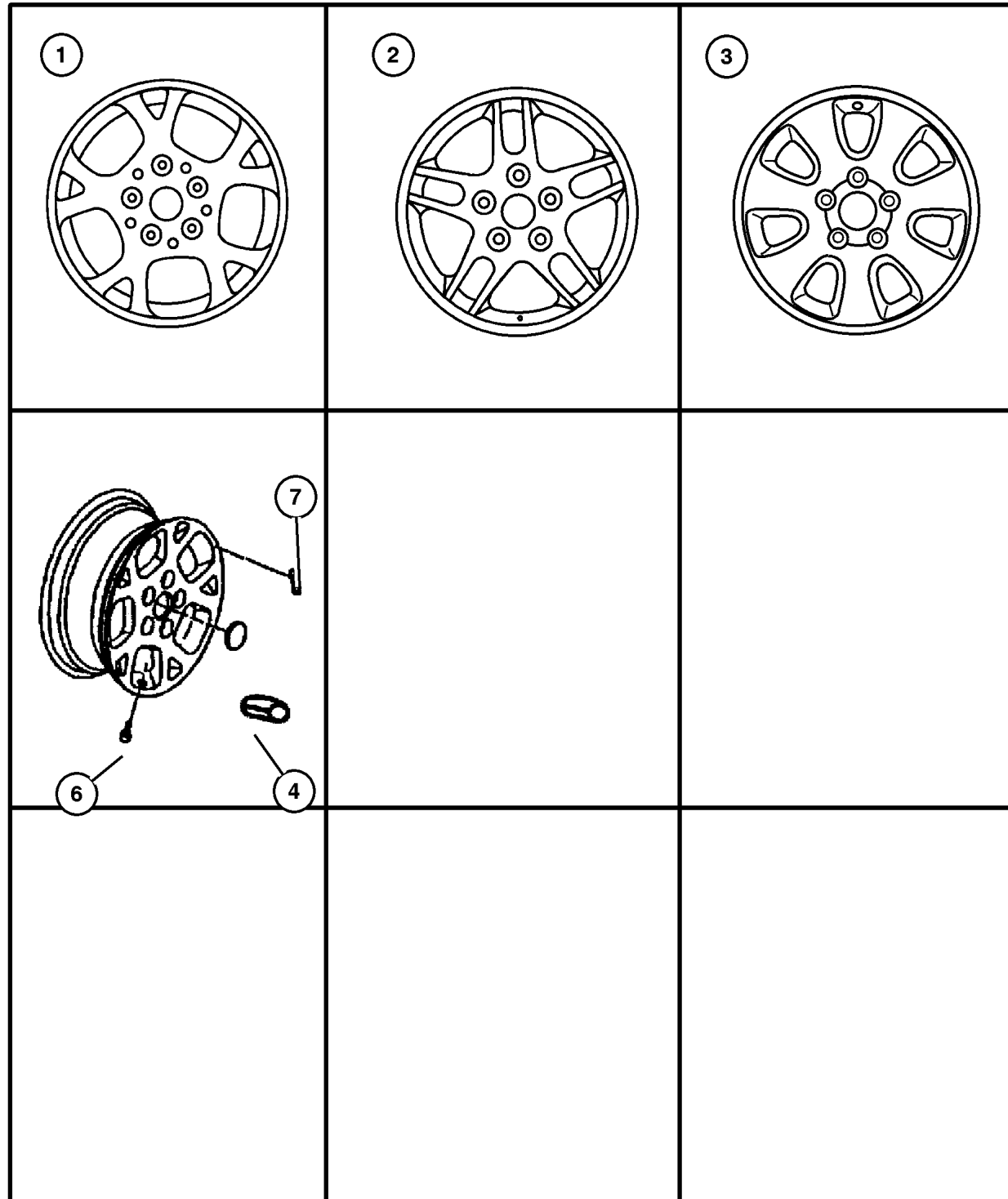
Spare Tire Stowage

Spare Wheel Stowage Fig. 022-460



022-100 Wheels and Hardware	022-200 Wheel Covers and Center Caps	022-300 Jack Stowage	022-400 Spare Tire Stowage
			

Wheels and Hardware
Figure 022-130



ITEM	PART NUMBER	QTY	LINE	SERIES	BODY	DESCRIPTION
------	-------------	-----	------	--------	------	-------------

Note: Sales Code WDS = 16x7.0 Aluminum Wheel und in the VIN number
 Note: Sales Code WDR = 16x7.0 Aluminum Wheel und in the VIN number
 Note: Sales Code WDM = 16x7.0 Aluminum Wheel und in the VIN number
 Note: Sales Code WFJ = 17x7.0 Cast Aluminum und in the VIN number

1						WHEEL, Aluminum
	5GT99 PAKAA	4				16x7, Timberline WDS (Export)
	5EZ98 TAEAB	1				16x7, Timberline WDS
2						WHEEL, Aluminum
	5EZ99 PAKAB	4	J, T			16x7, Silverblade WDR
	5GJ48 PAKAA	4				16x7, Silverblade WDR (Export)
3	#5GJ45 PAKAA	4				WHEEL, Aluminum, 17x7, Spoke WFJ (Export)
4	J400 6956	20				NUT, Wheel, .50x20
-5	52088 203AB	1				WHEEL, Spare
6	2073 355	5				STEM, Wheel Valve
7						WEIGHT, Wheel Balance Tape, (NOT SERVICED)

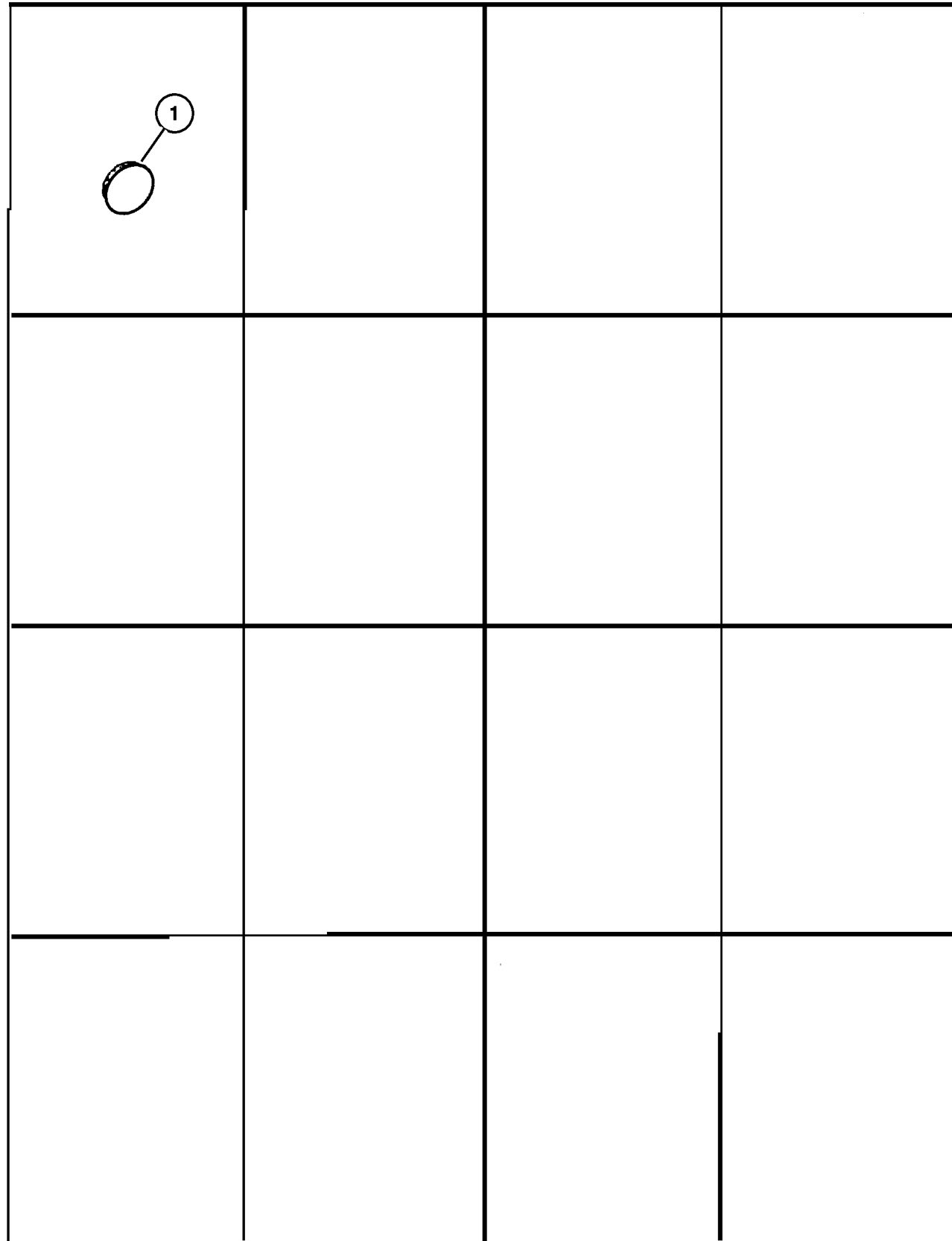
JEEP GRAND CHEROKEE (WJ)

SERIES	LINE	BODY	ENGINE	TRANSMISSION
H=Laredo	J = 4WD	74 = 4 Door(105.9 WB)	ER0, ERH = 4.0L, Power Tech I-6	DGK = 4 Speed Autm, 42RE
P=Limited	T = 2WD		EVO, EVA = 4.7L, Power Tech V8	DGW = 4 Speed Automatic, -44RE
	U = 4WD (RHD)		EXA, EX0 = 3.1L, 5 Cyl Turbo Diesel	DG4 = Multi Speed Automatic, -45RFE
				DGO = All Automatic

AR = Use as required - = Non illustrated part # = New this model year

April 3, 2002

Caps, Wheel Cover and center
Figure 022-230



ITEM	PART NUMBER	QTY	LINE	SERIES	BODY	DESCRIPTION
1	5CF9 7L3X	4				CAP, Wheel Center, Brushed Aluminum "Jeep" Name
-2	#5GJ46 PAKAA	4				CAP, Wheel Center, with 17x7.0 Wheel WFJ

JEEP GRAND CHEROKEE (WJ)

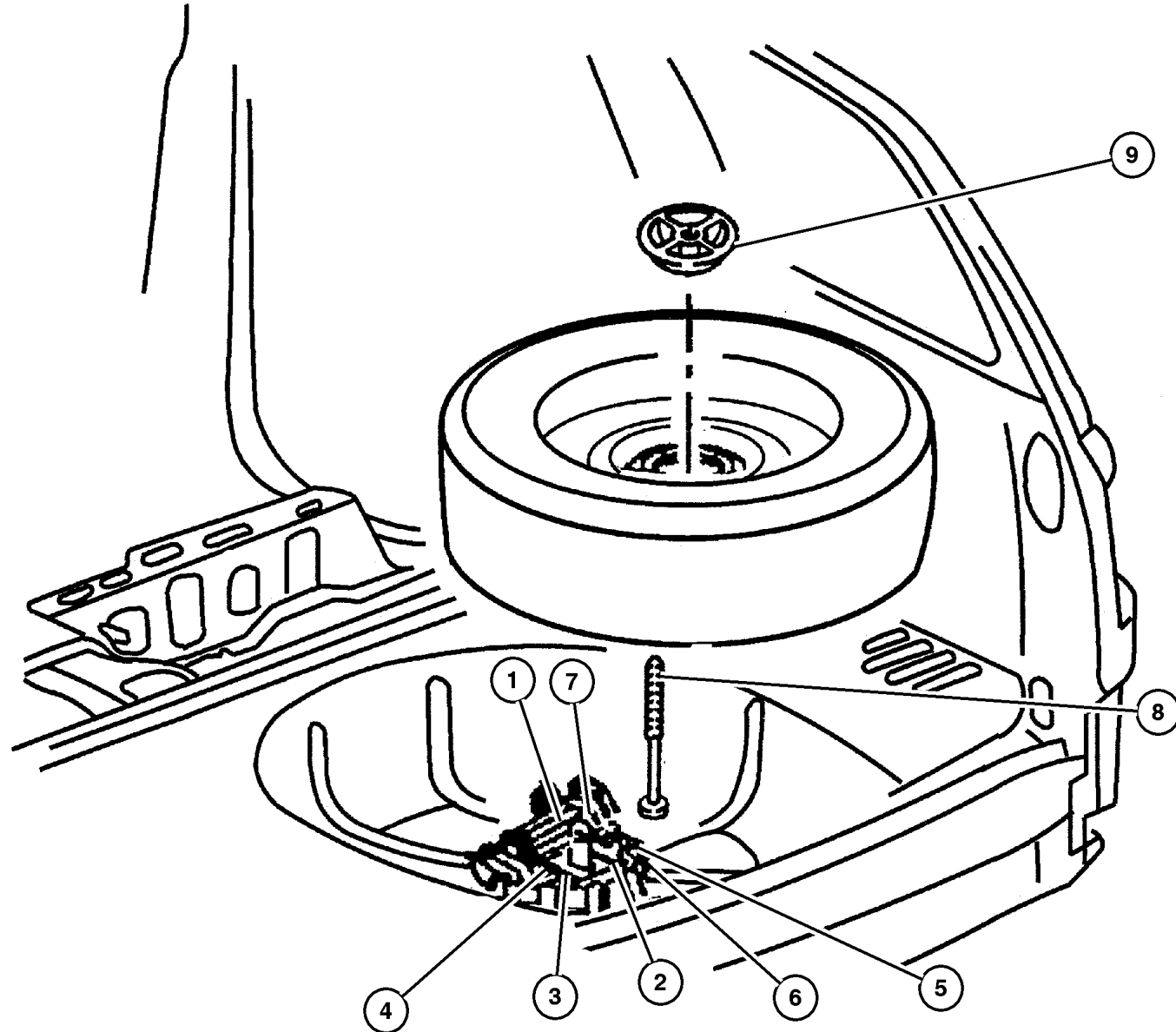
SERIES	LINE	BODY	ENGINE	TRANSMISSION
H=Laredo	J = 4WD	74 = 4 Door(105.9 WB)	ER0, ERH = 4.0L, Power Tech I-6	DGK = 4 Speed Autm, 42RE
P=Limited	T = 2WD		EVO, EVA = 4.7L, Power Tech V8	DGW = 4 Speed Automatic, -44RE
	U = 4WD (RHD)		EXA, EX0 = 3.1L, 5 Cyl Turbo Diesel	DG4 = Multi Speed Automatic, -45RFE
				DGO = All Automatic

AR = Use as required - = Non illustrated part # = New this model year

April 3, 2002

Jack Stowage
Figure 022-330

ITEM	PART NUMBER	QTY	LINE	SERIES	BODY	DESCRIPTION
1	5205 9104	1				JACK
2	5205 9121	1				EXTENSION, Jack Handle
3	52059 122AB	1				EXTENSION, Jack Handle
4	52059 134AA	2				BRACKET, Tool Hold Down
5	6100 048	1	J, T			NUT, Hex, M6x1.00
6	5205 9105	1				WRENCH, Wheel Lug Nut
7	52059 148AA	1				CLIP
8						J BOLT, Spare Tire Hold Down, (NOT SERVICED)
9						CUP, Spare Tire Retention, (NOT SERVICED)



JEEP GRAND CHEROKEE (WJ)

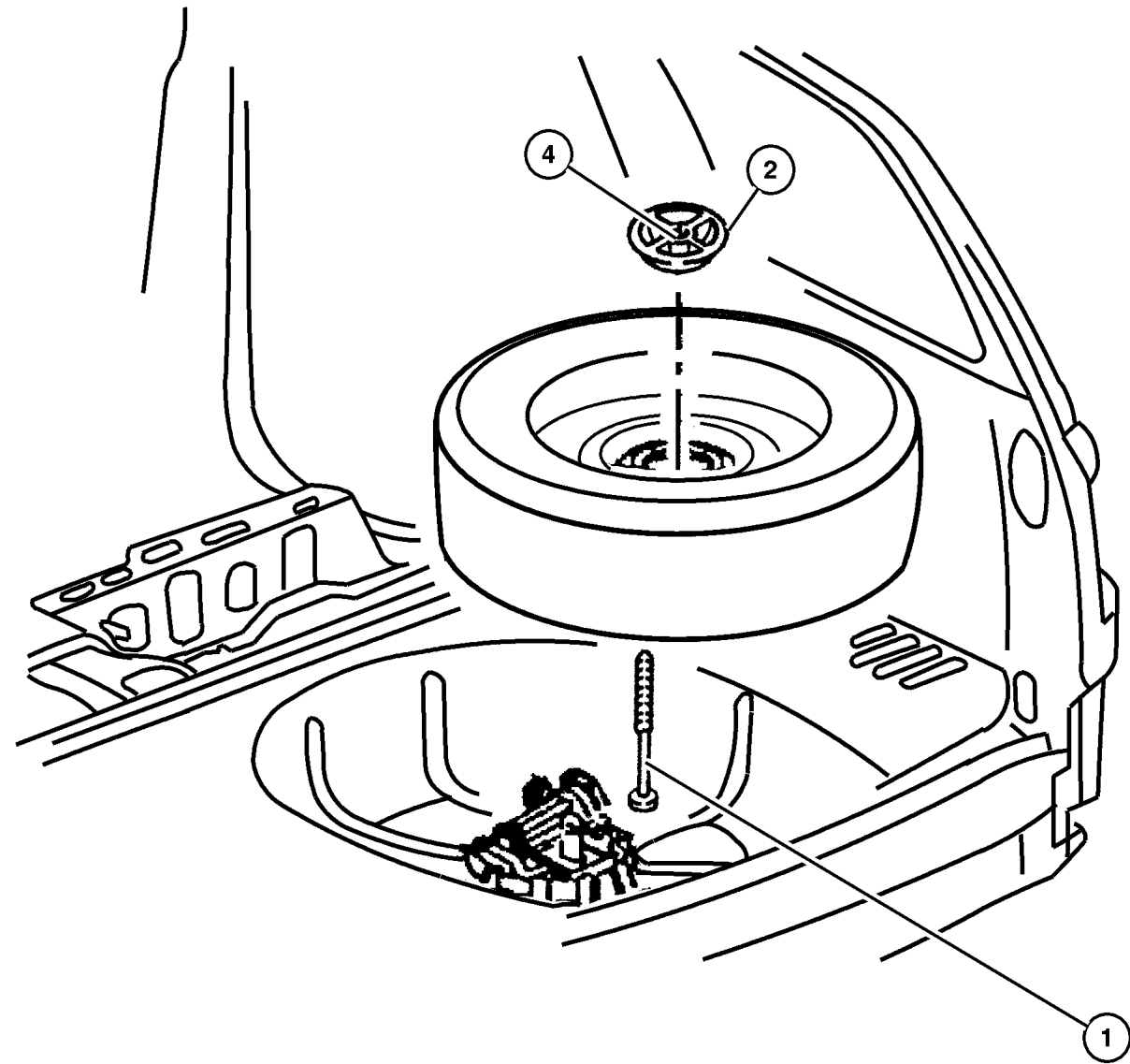
SERIES	LINE	BODY	ENGINE	TRANSMISSION
H=Laredo	J = 4WD	74 = 4 Door(105.9 WB)	ER0, ERH = 4.0L, Power Tech I-6	DGK = 4 Speed Autm, 42RE
P=Limited	T = 2WD		EVO, EVA = 4.7L, Power Tech V8	DGW = 4 Speed Automatic, -44RE
	U = 4WD (RHD)		EXA, EX0 = 3.1L, 5 Cyl Turbo Diesel	DG4 = Multi Speed Automatic, -45RFE
				DGO = All Automatic

AR = Use as required - = Non illustrated part # = New this model year

April 3, 2002

Spare Wheel Stowage
Figure 022-460

ITEM	PART NUMBER	QTY	LINE	SERIES	BODY	DESCRIPTION
1	52059 169AB	1				BOLT, J, M10x1.5x150
2	52059 160AC	1				CUP, Spare Tire Retention
-3	52088 806AA	1				SILENCER, Wheelhouse
4	6503 070	1				WINGNUT, Jack and Tire Hold Down



JEEP GRAND CHEROKEE (WJ)				
SERIES	LINE	BODY	ENGINE	TRANSMISSION
H=Laredo	J = 4WD	74 = 4 Door(105.9 WB)	ER0, ERH = 4.0L, Power Tech I-6	DGK = 4 Speed Autm, 42RE
P=Limited	T = 2WD		EV0, EVA = 4.7L, Power Tech V8	DGW = 4 Speed Automatic, -44RE
	U = 4WD (RHD)		EXA, EX0 = 3.1L, 5 Cyl Turbo Diesel	DG4 = Multi Speed Automatic, -45RFE
				DGO = All Automatic

AR = Use as required - = Non illustrated part # = New this model year

April 3, 2002

Group – 23D

Wiper/Lock Cylinder and Keys

GROUP 23D - Wiper/Lock Cylinder and Keys

Illustration Title

Group-Fig. No.

Lock Cylinders and Keys

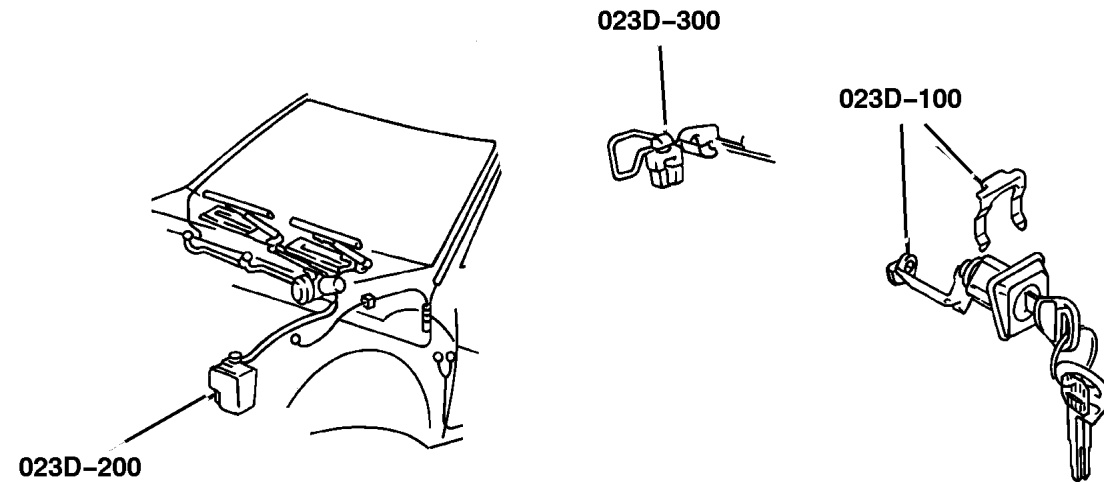
Lock Cylinder & Keys Fig. 23D-130

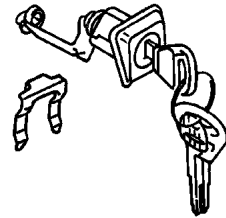
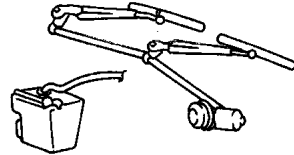
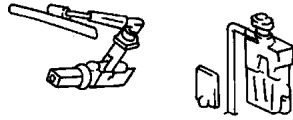
Windshield Wiper and Washer Systems

Windshield Wiper & Washer Fig. 23D-230

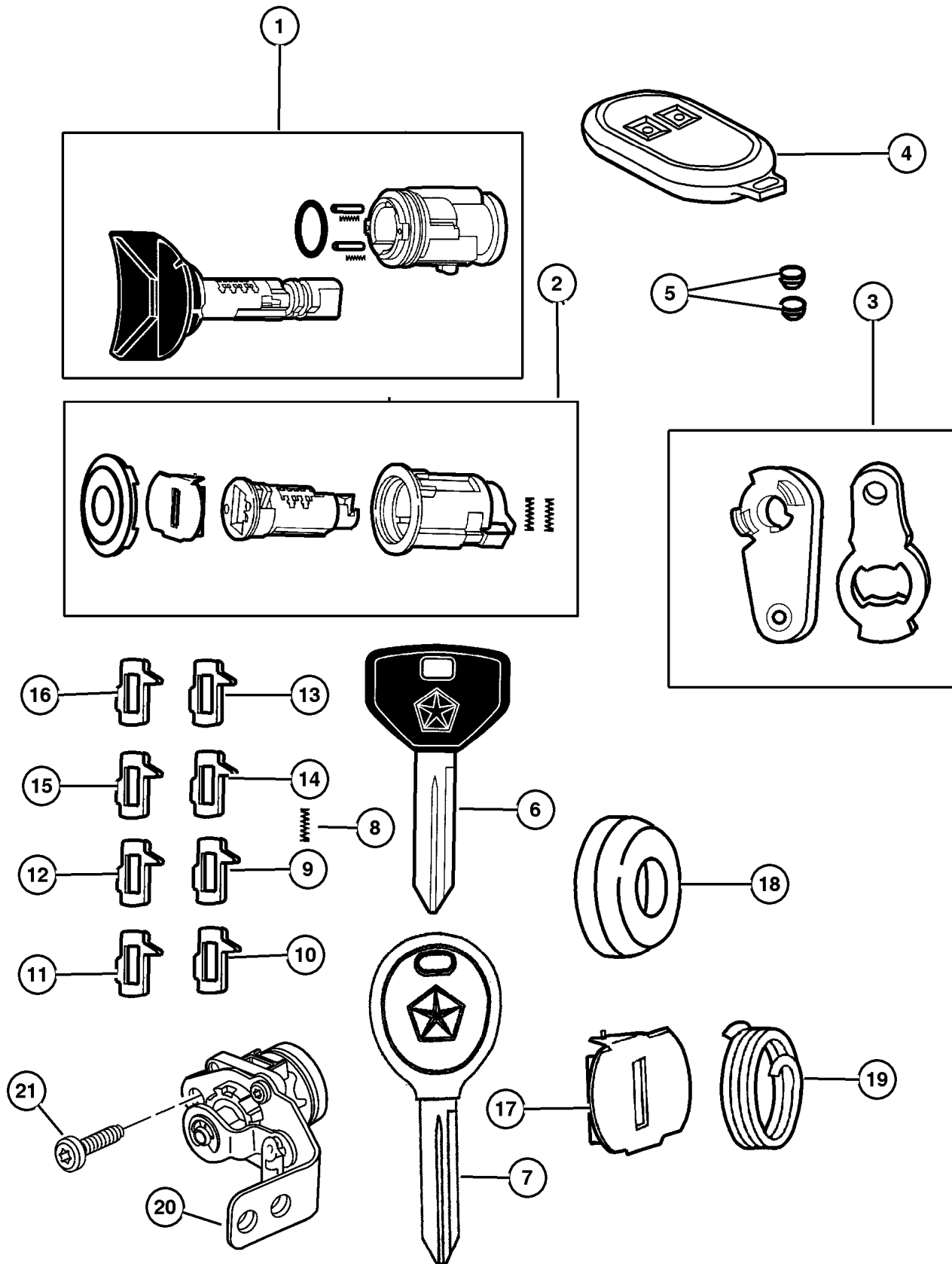
Rear Wiper and Washer System

Rear Wiper & Washer System Fig. 23D-330



<p>23D-100 Lock Cylinders and Keys</p> 	<p>23D-200 Windshield Wiper and Washer Systems</p> 	<p>23D-300 Rear Wiper and Washer System</p> 	
---	---	---	--

Lock Cylinder & Keys Figure 23D-130



ITEM	PART NUMBER	QTY	LINE	BODY	DESCRIPTION
1					CYLINDER, Ignition Lock
	5003 843AA	1	J, T		
		1	U		
2					CYLINDER, Door Lock
	5013 682AA	1	U		
		1	J, T		
3					LEVER, Door Lock Cylinder
	55136 554AA	1	J, T		
		1	U		
4					TRANSMITTER, Keyless Entry
	56036 857AB	1			#1 (JAPAN)
	56036 858AB	1			#2 (JAPAN)
	56036 859AC	1			#1 (USA/CANADA) Frequency 315
	56036 860AC	1			#2 (USA/CANADA) Frequency 315
	56036 862AB	1			#1 (EUROPE) Frequency 433
	56036 863AB	1			#2 (EUROPE) Frequency 433
5					BATTERY, Transmitter
6					KEY, Master
	5013 807AA	1	J, T		'Century JEEP'
		2	U		'Century JEEP'
7					KEY, Master
	5010 366AA	2	J, T		Smart Key
		2	U		Smart Key
8					SPRING, Ignition Tumbler, Sidebar
	5010 883AA	1	U		
		1	J, T		
9					TUMBLER, Door and Deck Number 1, Wide
	4778 117	2	J, T		
		2	U		
10					TUMBLER, Door and Deck Number 2, Wide
	4778 118	2	J, T		
		2	U		
11					TUMBLER, Door and Deck Number 3, Wide
	4778 119	2	J, T		
		2	U		
12					TUMBLER, Door and Deck Number 4, Wide
	4778 120	2	J, T		
		2	U		
13					TUMBLER, Ignition Number 1, Sidebar
	5010 879AA	1	U		
		1	J, T		
14					TUMBLER, Ignition Number 2, Sidebar

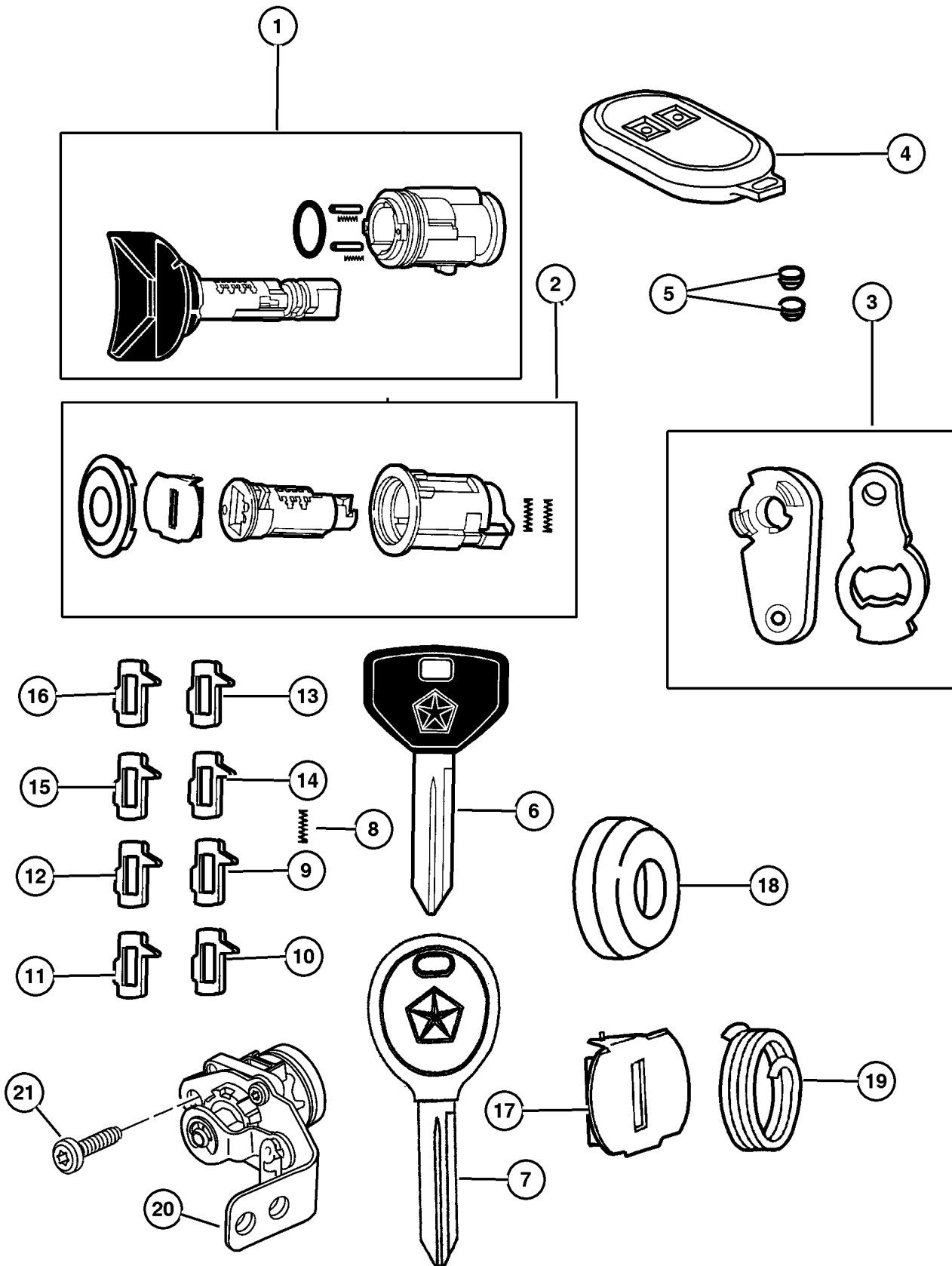
JEEP GRAND CHEROKEE (WJ)

SERIES	LINE	BODY	ENGINE	TRANSMISSION
H=Laredo	J = 4WD	74 = 4 Door(105.9 WB)	ER0, ERH = 4.0L, Power Tech I-6	DGK = 4 Speed Autm, 42RE
P=Limited	T = 2WD		EVO, EVA = 4.7L, Power Tech V8	DGW = 4 Speed Automatic, -44RE
	U = 4WD (RHD)		EXA, EX0 = 3.1L, 5 Cyl Turbo Diesel	DG4 = Multi Speed Automatic, -45RFE
				DGO = All Automatic

AR = Use as required - = Non illustrated part # = New this model year

April 3, 2002

Lock Cylinder & Keys Figure 23D-130



ITEM	PART NUMBER	QTY	LINE	BODY	DESCRIPTION
	5010 880AA	1	U		
		1	J, T		
15					TUMBLER, Ignition Number 3, Sidebar
	5010 881AA	1	U		
		1	J, T		
16					TUMBLER, Ignition Number 4, Sidebar
	5010 882AA	1	U		
		1	J, T		
17					SHUTTER, Door, Deck and Liftgate, Bright
	4778 150	2	J, T		
		2	U		
18	4778 149	1	J, T		CAP, Door Lock Cylinder, Bright
19					SPRING, Door and Deck Tumbler
	4778 121	2	J, T		
		2	U		
20					BRACKET, Security
	55136 762AA	1	U		Right
	55136 763AA	1	J, T		Left
21	5013 808AA	1	J, T		SCREW, Security Bracket Mounting
-22					CLIP, Latch
	4658 444	1	J, T		Purple
		1	U		Purple
	4658 445	1	U		Orange
		2	J, T		Orange
-23					SWITCH, Security Alarm
	55136 557AA	1	J, T		
		1	U		

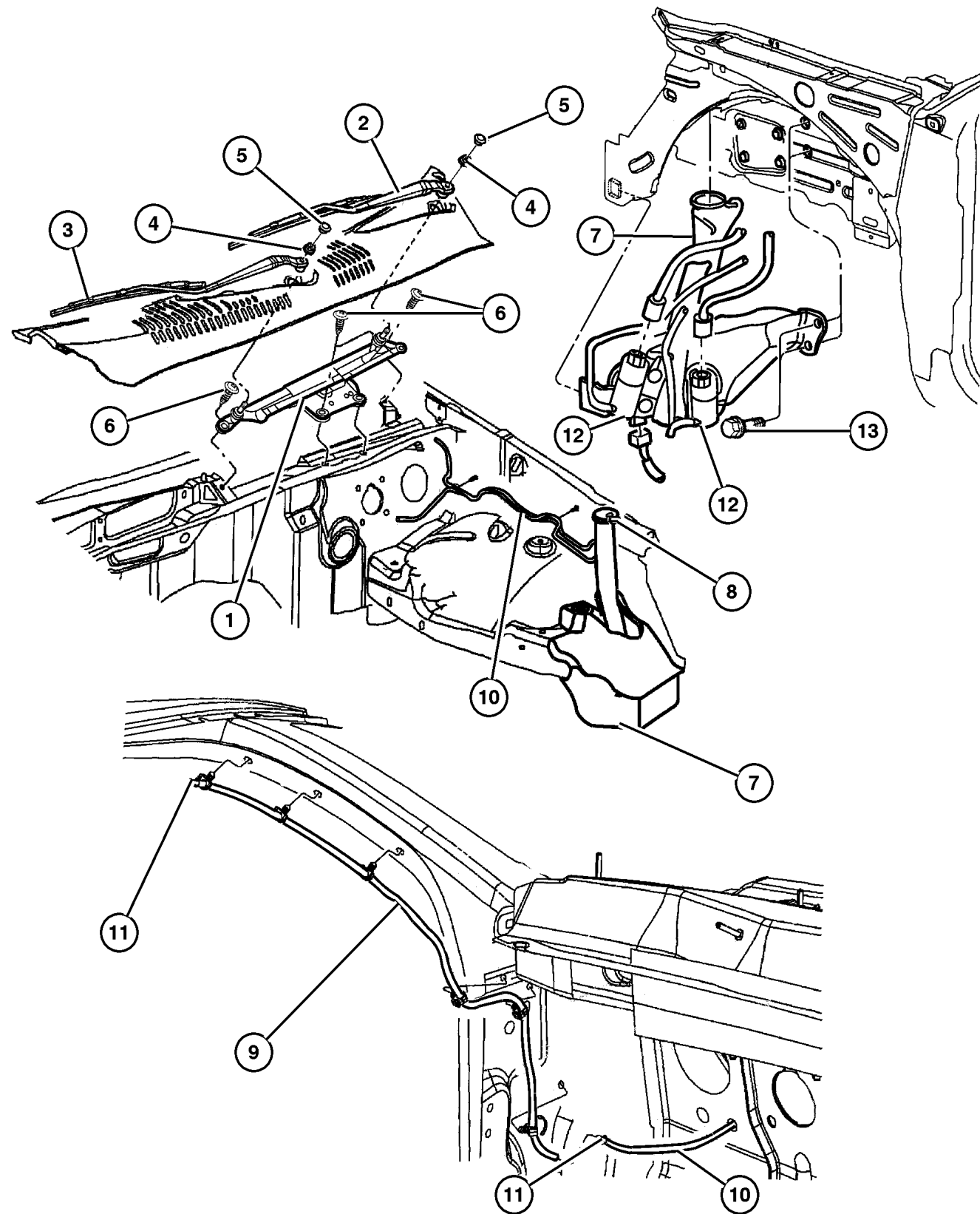
JEEP GRAND CHEROKEE (WJ)

SERIES	LINE	BODY	ENGINE	TRANSMISSION
H=Laredo	J = 4WD	74 = 4 Door(105.9 WB)	ER0, ERH = 4.0L, Power Tech I-6	DGK = 4 Speed Autm, 42RE
P=Limited	T = 2WD		EV0, EVA = 4.7L, Power Tech V8	DGW = 4 Speed Automatic, -44RE
	U = 4WD (RHD)		EXA, EX0 = 3.1L, 5 Cyl Turbo Diesel	DG4 = Multi Speed Automatic, -45RFE
				DGO = All Automatic

AR = Use as required - = Non illustrated part # = New this model year

April 3, 2002

Windshield Wiper & Washer Figure 23D-230



ITEM	PART NUMBER	QTY	LINE	BODY	DESCRIPTION
1					MODULE, Wiper
	5515 5352	1	U		EUROPE
	55155 656AA	1	J, T		EUROPE
	5515 5092	1	J, T		USA/CANADA
2					ARM, Wiper
	5012 605AA	1	J, T		Passenger Side
	5012 608AA	1	U		EUROPE, Passenger Side
	5012 609AA	1	U		EUROPE, Driver Side
	5012 606AA	1	J, T		Driver Side
3					BLADE, Wiper
	5012 611AA	1	J, T		EUROPE, Driver Side
	5012 613AA	1	U		EUROPE, Driver Side
	5012 614AA	1	U		EUROPE, Passenger Side
	5012 611AA	1	J, T		USA/CANADA (Qty. 2)
4	6503 335	2			NUT, Hex, M10X1.25
5	55155 765AA	2			CAP, Wiper Arm Nut
6	6100 568	4			BOLT AND WASHER, Implement Attaching
7	5012 594AA	1			RESERVOIR, Washer
8	5012 603AA	1			CAP, Washer Reservoir
9	55155 522AC	1			HOSE, Windshield Washer
10	4439 003	2			HOSE, Windshield Washer, 0156 ID=4MM
11	4778 224	1			CONNECTOR, Washer Hose, In Line
12					PUMP, Washer, Windshield
	5012 597AA	1			Front Wiper
	5012 602AA	1			Rear Wiper
13					SCREW, .250-14x.875, (NOT SERVICED)
-14					NOZZLE, Washer, Windshield
	5515 5199	2	J, T		
		2	U		
-15	5012 763AA	1			SENSOR, Washer Fluid Level
-16	4798 779	1			GROMMET, Windshield Washer Pump, Sensor Grommet
-17	5011 809AA	1			GROMMET, Windshield Washer Pump, Pump Grommet
-18					GROMMET, Hose to Reservoir
	3799 520	1	J, T		Diesel Engine
		1	J, T		4.0L & 4.7L Engines
		1	U		
-19	55155 694AB	1	J, T		HOSE, Washer Reservoir, Windshield Wiper Tee Serviced in This Assembly

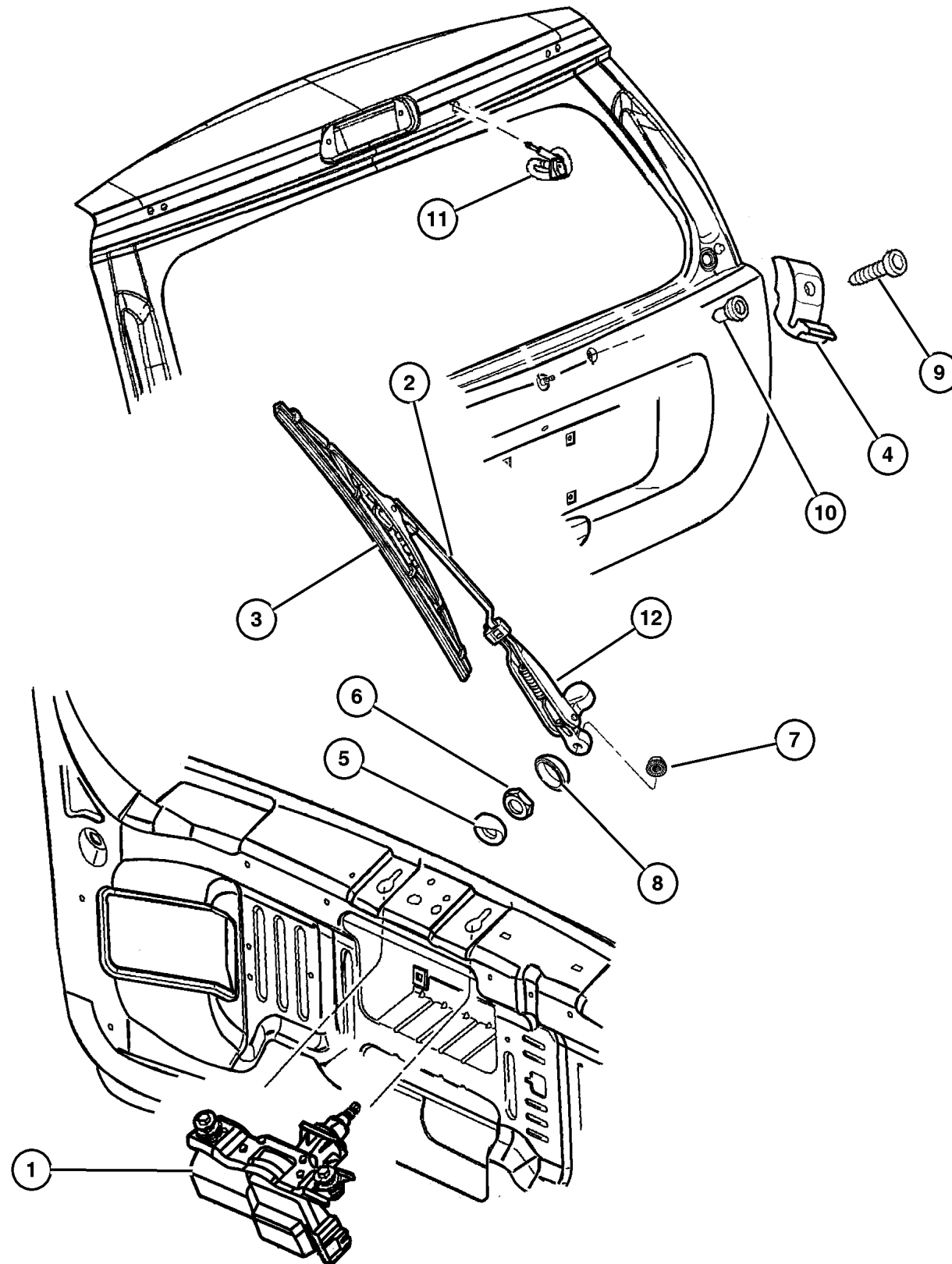
JEEP GRAND CHEROKEE (WJ)

SERIES	LINE	BODY	ENGINE	TRANSMISSION
H=Laredo	J = 4WD	74 = 4 Door(105.9 WB)	ER0, ERH = 4.0L, Power Tech I-6	DGK = 4 Speed Autm, 42RE
P=Limited	T = 2WD		EV0, EVA = 4.7L, Power Tech V8	DGW = 4 Speed Automatic, -44RE
	U = 4WD (RHD)		EXA, EX0 = 3.1L, 5 Cyl Turbo Diesel	DG4 = Multi Speed Automatic, -45RFE
				DGO = All Automatic

AR = Use as required - = Non illustrated part # = New this model year

April 3, 2002

Rear Wiper & Washer System Figure 23D-330



ITEM	PART NUMBER	QTY	LINE	BODY	DESCRIPTION
1	55155 122AB	1			MOTOR, Wiper
2	5012 610AA	1			ARM, Liftgate Wiper
3	5012 615AB	1			BLADE, Wiper
4	5515 5124	1			RAMP, Wiper Park
5	5515 5358	1			BEZEL, Wiper Motor
6	6502 263	1			NUT, Hex, M20x1.00
7	6500 165	1			NUT, Wiper Arm
8	5507 6650	1			COVER, Rear Wiper Motor, Nut
9	6505 062AA	1			SCREW, Pilot Point
10	6503 245	1			NUT/RIVET, Cooler To Closure Panel
11	#55155 201AC	1			NOZZLE, Washer, Windshield
12	5014 217AA	1			COVER, Rear Wiper Motor, Lower Wiper Arm
-13	5012 602AA	1			PUMP, Washer, Windshield, Rear

JEEP GRAND CHEROKEE (WJ)

SERIES	LINE	BODY	ENGINE	TRANSMISSION
H=Laredo	J = 4WD	74 = 4 Door(105.9 WB)	ER0, ERH = 4.0L, Power Tech I-6	DGK = 4 Speed Autm, 42RE
P=Limited	T = 2WD		EVO, EVA = 4.7L, Power Tech V8	DGW = 4 Speed Automatic, -44RE
	U = 4WD (RHD)		EXA, EX0 = 3.1L, 5 Cyl Turbo Diesel	DG4 = Multi Speed Automatic, -45RFE
				DGO = All Automatic

AR = Use as required - = Non illustrated part # = New this model year

April 3, 2002

Group – 024

Air Conditioning & Heater

GROUP 24 - Air Conditioning & Heater

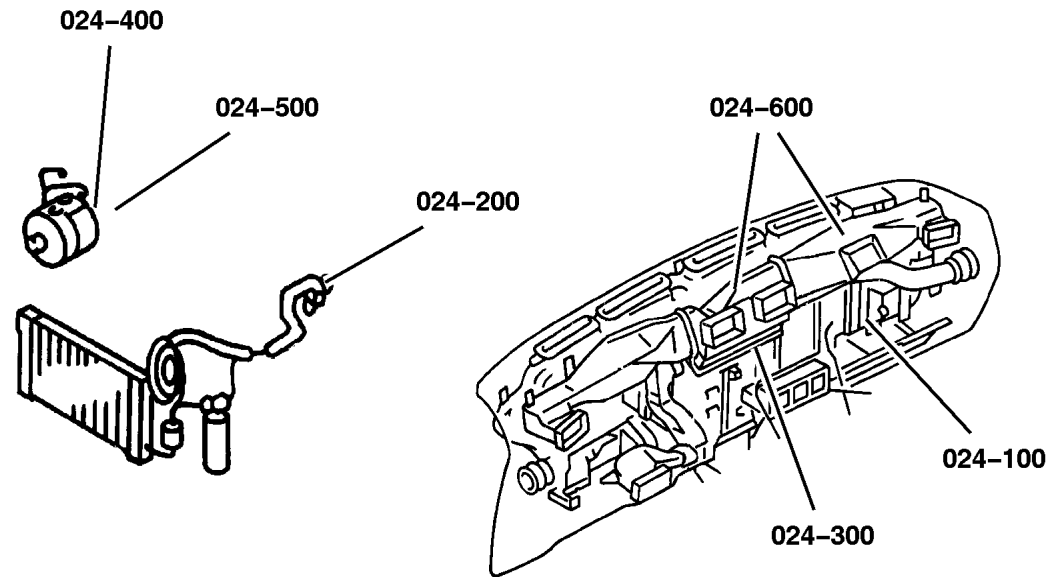


Illustration Title

Group-Fig. No.

Air Conditioner and Heater Units

HEVAC with Auto Temp Control, LHD	Fig. 024-150
HEVAC with Auto Temp Control, RHD	Fig. 024-160
HEVAC with Manual Control, LHD	Fig. 024-170
HEVAC with Manual Control, RHD	Fig. 024-180

Air Conditioner and Heater Plumbing

Hoses, Heater 3.1, 4.0L Engines	Fig. 024-240
Hoses, Heater 4.7L Engine	Fig. 024-245
Accumulator, Condenser and Lines 3.1, 4.0L Engines	Fig. 024-250
Accumulator, Condenser and Lines 4.7L Engine	Fig. 024-255
Hevac Vacuum Engine Lines and Controls	Fig. 024-260

Air Conditioner and Heater Controls

Control, Heater and Air Conditioner	Fig. 024-330
---	--------------

Air Conditioning Compressor

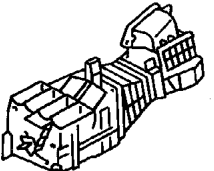
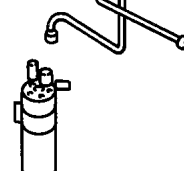
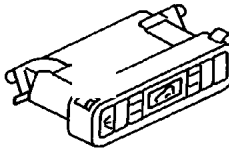
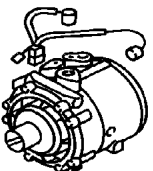
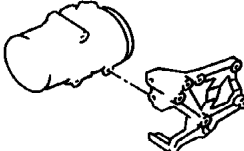
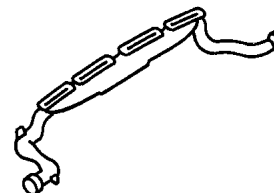
Compressor, Air Conditioning 4.0L Engine	Fig. 024-410
Compressor, Air Conditioning 4.7L Engine	Fig. 024-420

Air Conditioning Compressor Mounting

Compressor, Mounting 4.0L Engine	Fig. 024-510
Compressor, Mounting 4.7L Engine	Fig. 024-520

Air Ducts and Outlets

Air Ducts and Outlets	Fig. 024-610
-----------------------------	--------------

<p>024-100 Air Conditioner and Heater Units</p> 	<p>024-200 Air Conditioner and Heater Plumbing</p> 	<p>024-300 Air Conditioner and Heater Controls</p> 	<p>024-400 Air Conditioning Compressor</p> 
<p>024-500 Air Conditioning Compressor Mounting</p> 	<p>024-600 Air Ducts and Outlets</p> 		

HEVAC with Auto Temp Control, LHD
Figure 024-150

ITEM	PART NUMBER	QTY	LINE	BODY	ENGINE	DESCRIPTION
------	-------------	-----	------	------	--------	-------------

Note: Sales Code HAF = Auto Temp Control und in the VIN number
und in the VIN number

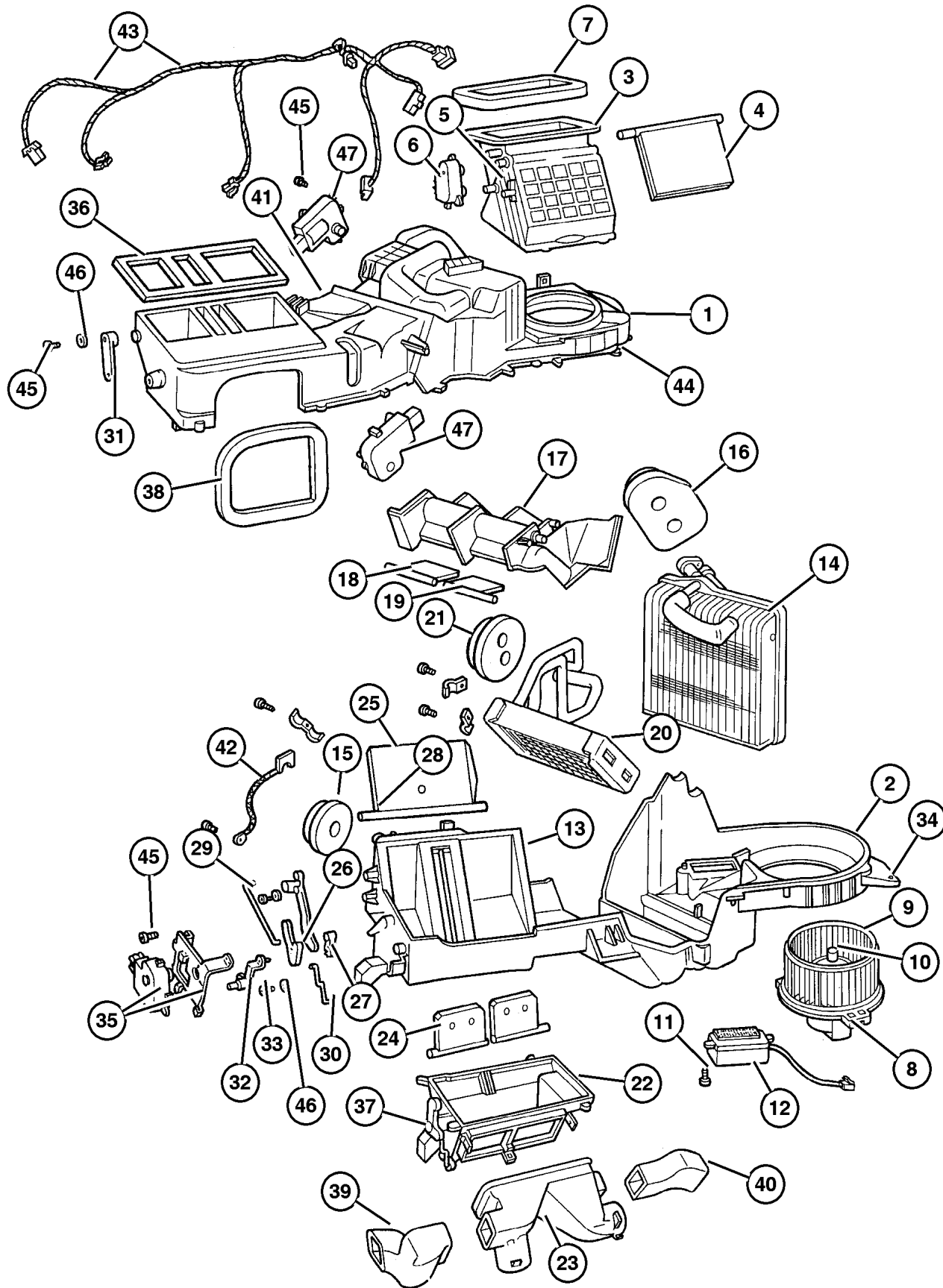
1	5012 715AD	1	J, T			HOUSING, A/C Upper
2	5012 714AC	1	J, T			HOUSING, A/C Lower
3	5012 713AA	1	J, T			HOUSING, Air Recirculating
4	5012 712AA	1	J, T			DOOR, Air Inlet
5	5012 711AA	3	J, T			LINK, Heater and Damper Contrl
6	5012 710AA	2	J, T			SERVO, A/C Temperature Door
7	5012 709AA	1	J, T			SEAL, Air Inlet
8	5012 708AA	1	J, T			MOTOR, Blower
9	5012 701AB	1	J, T			FAN, Blower Motor
10	2837 680	1	J, T			CLAMP, Blower Motor Wheel
11	5012 700AA	3	J, T			SCREW, Tapping
12	5012 699AA	1	J, T			RESISTOR, Blower Motor
13	5012 698AA	1	J, T			INSULATOR, Air Conditioning
14	5012 697AA	1	J, T			EVAPORATOR, Air Conditioning
15	5012 696AA	1	J, T			SEAL, Evaporator Drain
16	5014 744AA	1	J, T			SEAL, A/C Evaporator
17	5012 694AB	1	J, T			HOUSING, A/C Unit
18	5012 693AA	1	J, T			DOOR, Blend Air
19	5012 692AA	1	J, T			DOOR, Blend Air
20	5012 691AB	1	J, T			CORE, Heater
21	5012 744AA	1	J, T			SEAL, Heater Tubes
22	5012 743AA	1	J, T			HOUSING, A/C Unit
23	5012 742AA	1	J, T			COVER, Heater
24	5012 740AA	1	J, T			DOOR, Distribution Duct
25	5012 739AA	1	J, T			DOOR, Floor Defroster Duct
26	5012 738AA	1	J, T			LEVER, Panel Door
27	5012 735AA	1	J, T			LEVER, Panel Door
28	5012 734AA	1	J, T			SHAFT, A/C and Heater Door
29	5012 733AA	1	J, T			LINK, Heater and Defroster Door
30	5012 732AA	1	J, T			SHAFT, Defroster Door
31	5012 731AA	1	J, T			LEVER, A/C Vent Defrost Door
32	5012 730AA	1	J, T			LEVER, Panel Door
33	5012 729AA	1	J, T			SCREW, Tapping
34	6101 442	4	J, T			U-NUT, M6 x 1.00, M6x1.00
35	5012 728AA	1	J, T			SERVO, Mode Door
36	5012 727AA	1	J, T			SEAL, Demister
37	5012 726AA	1	J, T			SEAL, Defroster Duct
38	5015 354AA	1	J, T			SEAL, Panel
39	5012 723AB	1				DUCT, Floor Distribution
40	5012 722AC	1	J, T			DUCT, Floor Distribution

JEEP GRAND CHEROKEE (WJ)

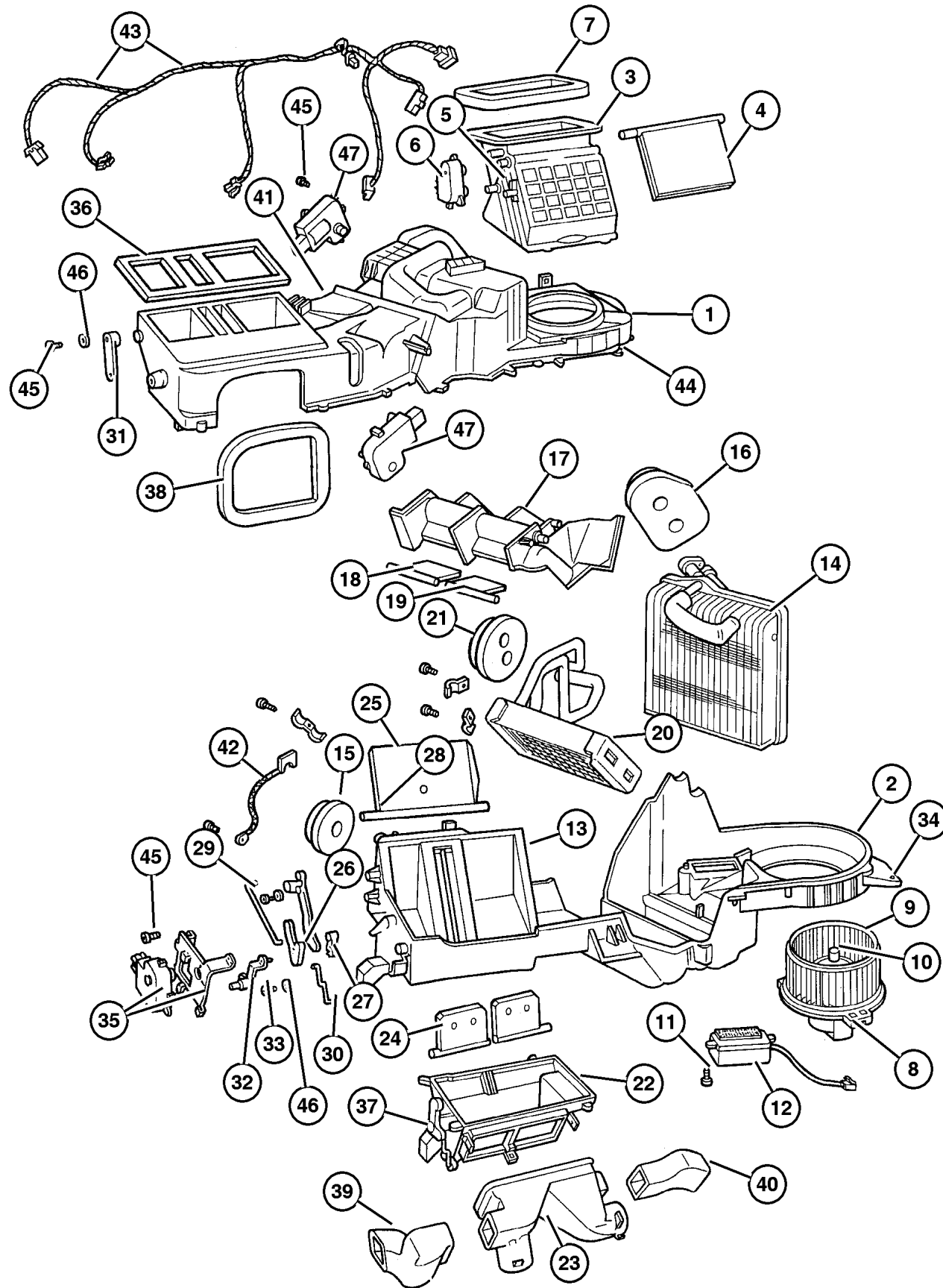
SERIES	LINE	BODY	ENGINE	TRANSMISSION
H=Laredo	J = 4WD	74 = 4 Door(105.9 WB)	ER0, ERH = 4.0L, Power Tech I-6	DGK = 4 Speed Autm, 42RE
P=Limited	T = 2WD		EVO, EVA = 4.7L, Power Tech V8	DGW = 4 Speed Automatic, -44RE
	U = 4WD (RHD)		EXA, EX0 = 3.1L, 5 Cyl Turbo Diesel	DG4 = Multi Speed Automatic, -45RFE
				DGO = All Automatic

AR = Use as required - = Non illustrated part # = New this model year

April 3, 2002



HEVAC with Auto Temp Control, LHD
Figure 024-150



ITEM	PART NUMBER	QTY	LINE	BODY	ENGINE	DESCRIPTION
41	5012 721AA	1	J, T			SEAL, Air Conditioning Unit
42	56038 591AA	1			EVO	STRAP, Ground
43	5012 719AA	1	J, T			HARNES, Air Conditioning Control
44	4720 533	32	J, T			SCREW, Heater Housing
45	4720 534	3	J, T			SCREW, Pan Head
46	5012 756AA	5	J, T			SPRING
47	5012 710AA	2	J, T			SERVO, A/C Temperature Door

JEEP GRAND CHEROKEE (WJ)

SERIES	LINE	BODY	ENGINE	TRANSMISSION
H=Laredo	J = 4WD	74 = 4 Door(105.9 WB)	ER0, ERH = 4.0L, Power Tech I-6	DGK = 4 Speed Autm, 42RE
P=Limited	T = 2WD		EVO, EVA = 4.7L, Power Tech V8	DGW = 4 Speed Automatic, -44RE
	U = 4WD (RHD)		EXA, EX0 = 3.1L, 5 Cyl Turbo Diesel	DG4 = Multi Speed Automatic, -45RFE
				DGO = All Automatic

AR = Use as required - = Non illustrated part # = New this model year

April 3, 2002

HEVAC with Auto Temp Control, RHD
Figure 024-160

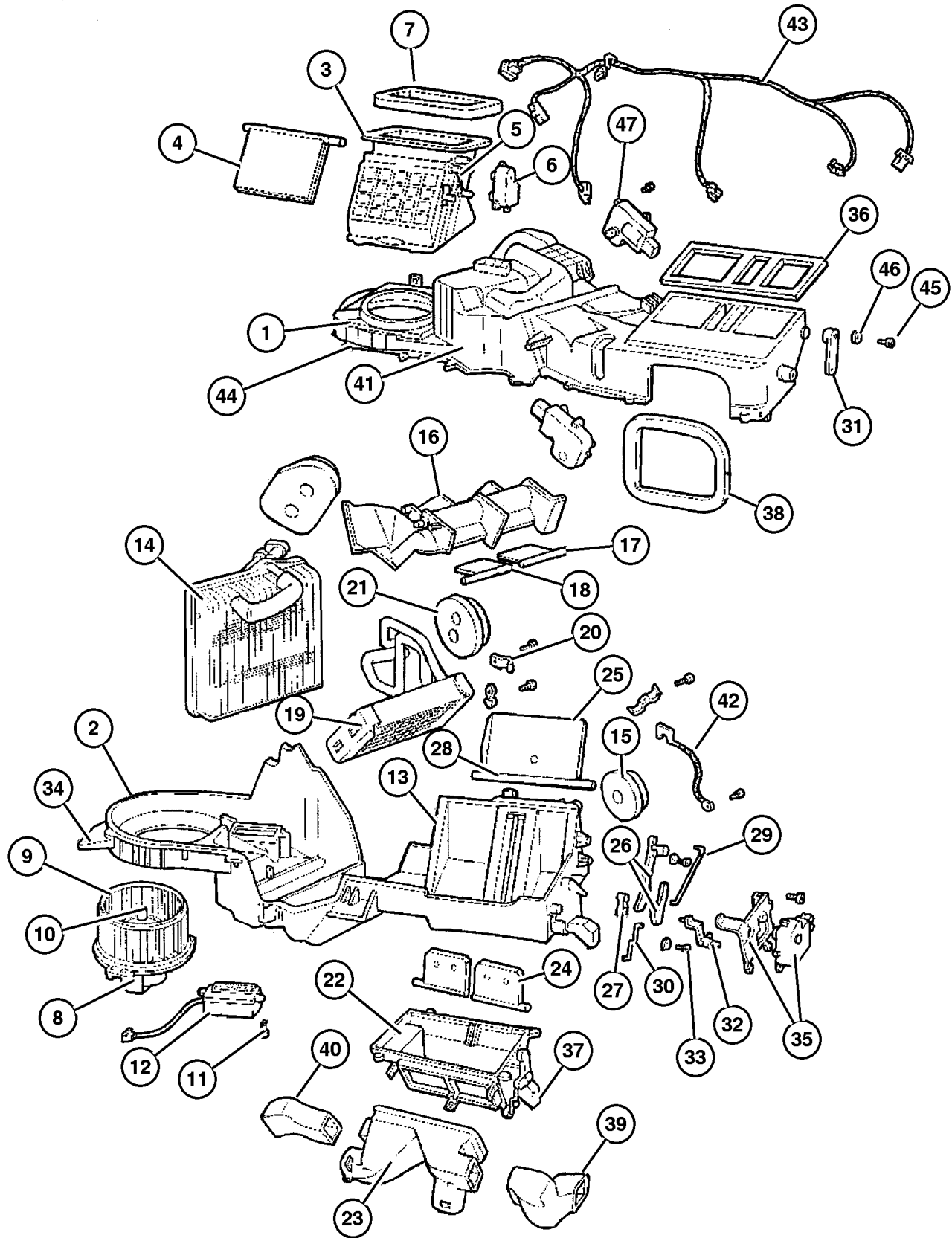
ITEM	PART NUMBER	QTY	LINE	BODY	ENGINE	DESCRIPTION
Note: Sales Code HAF = Auto Temp Control und in the VIN number						
1	5013 552AB	1	U			HOUSING, A/C Upper
2	5013 499AA	1	U			HOUSING, A/C Lower
3	5013 568AA	1	U			HOUSING, Air Recirculating
4	5012 712AA	1	U			DOOR, Air Inlet
5	5013 559AA	2	U			LINK, Heater and Damper Contrl
6	5012 710AA	3	U			SERVO, A/C Temperature Door
7	5012 709AA	1	U			SEAL, Air Inlet
8	5013 566AA	1	U			MOTOR, Blower
9	5013 565AB	1	U			FAN, Blower Motor
10	2837 680	1	U			CLAMP, Blower Motor Wheel
11	5012 700AA	3	U			SCREW, Tapping
12	5012 699AA	1	U			RESISTOR, Blower Motor
13	5013 564AA	1	U			INSULATOR, Air Conditioning
14	5013 563AA	1	U			EVAPORATOR, Air Conditioning
15	5012 696AA	1	U			SEAL, Evaporator Drain
16	5013 560AA	1	U			HOUSING, A/C Unit
17	5013 557AA	1	U			DOOR, Blend Air
18	5012 692AA	1	U			DOOR, Blend Air
19	5014 420AA	1	U			CORE, Heater
20	5013 554AA	1	U			CLIP, Heater Core
21	5013 553AA	1	U			SEAL, Heater Tubes
22	5013 497AA	1	U			HOUSING, A/C Unit
23	5013 496AA	1	U			COVER, Heater
24	5013 579AA	1	U			DOOR, Distribution Duct
25	5012 739AA	1	U			DOOR, Floor Defroster Duct
26	5013 578AA	1	U			LEVER, Panel Door
27	5013 577AA	1	U			LEVER, Panel Door
28	5012 734AA	1	U			SHAFT, A/C and Heater Door
29	5013 576AA	1	U			LINK, Heater and Defroster Door
30	5012 732AA	1	U			SHAFT, Defroster Door
31	5013 575AA	1	U			LEVER, A/C Vent Defrost Door
32	5013 573AA	1	U			LEVER, Panel Door
33	5012 729AA	2	U			SCREW, Tapping
34	6101 442	4	U			U-NUT, M6 x 1.00, M6x1.00
35	5013 572AA	1	U			SERVO, Mode Door
36	5012 727AA	1	U			SEAL, Demister
37	5012 726AA	1	U			SEAL, Defroster Duct
38	5015 354AA	1	U			SEAL, Panel
39	5013 571AA	1	U			DUCT, Floor Distribution
40	5013 570AB	1	U			DUCT, Floor Distribution
41	5012 721AA	1	U			SEAL, Air Conditioning Unit

JEEP GRAND CHEROKEE (WJ)

SERIES	LINE	BODY	ENGINE	TRANSMISSION
H=Laredo	J = 4WD	74 = 4 Door(105.9 WB)	ER0, ERH = 4.0L, Power Tech I-6	DGK = 4 Speed Autm, 42RE
P=Limited	T = 2WD		EVO, EVA = 4.7L, Power Tech V8	DGW = 4 Speed Automatic, -44RE
	U = 4WD (RHD)		EXA, EX0 = 3.1L, 5 Cyl Turbo Diesel	DG4 = Multi Speed Automatic, -45RFE
				DGO = All Automatic

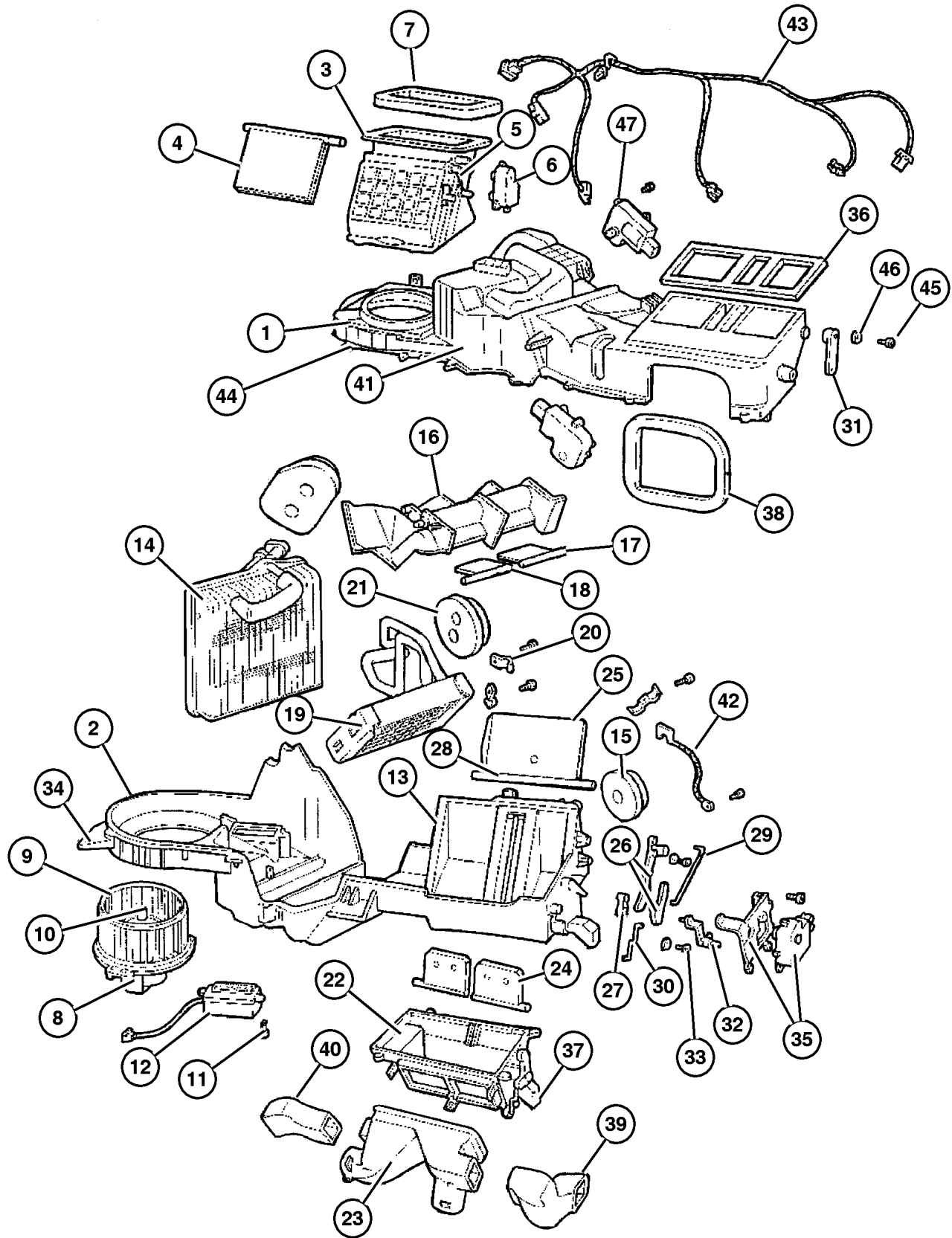
AR = Use as required - = Non illustrated part # = New this model year

April 3, 2002



HEVAC with Auto Temp Control, RHD
Figure 024-160

ITEM	PART NUMBER	QTY	LINE	BODY	ENGINE	DESCRIPTION
42	56038 591AB	1			EVO	STRAP, Ground
43	5014 421AA	1	U			HARNESS, Air Conditioning Control
44	4720 533	32	U			SCREW, Heater Housing
45	4720 534	3	U			SCREW, Pan Head
46	5012 756AA	5	U			SPRING
47	5015 339AA	1	U			SEAL, A/C Evaporator
-48	5015 339AA	1	U			SEAL, A/C Evaporator



JEEP GRAND CHEROKEE (WJ)				
SERIES	LINE	BODY	ENGINE	TRANSMISSION
H=Laredo	J = 4WD	74 = 4 Door(105.9 WB)	ER0, ERH = 4.0L, Power Tech I-6	DGK = 4 Speed Autm, 42RE
P=Limited	T = 2WD		EVO, EVA = 4.7L, Power Tech V8	DGW = 4 Speed Automatic, -44RE
	U = 4WD (RHD)		EXA, EX0 = 3.1L, 5 Cyl Turbo Diesel	DG4 = Multi Speed Automatic, -45RFE
				DGO = All Automatic

AR = Use as required - = Non illustrated part # = New this model year

April 3, 2002

HEVAC with Manual Control, LHD
Figure 024-170

ITEM	PART NUMBER	QTY	LINE	BODY	ENGINE	DESCRIPTION
------	-------------	-----	------	------	--------	-------------

und in the VIN number

Note: Sales Code HAA = Air Conditioning und in the VIN number

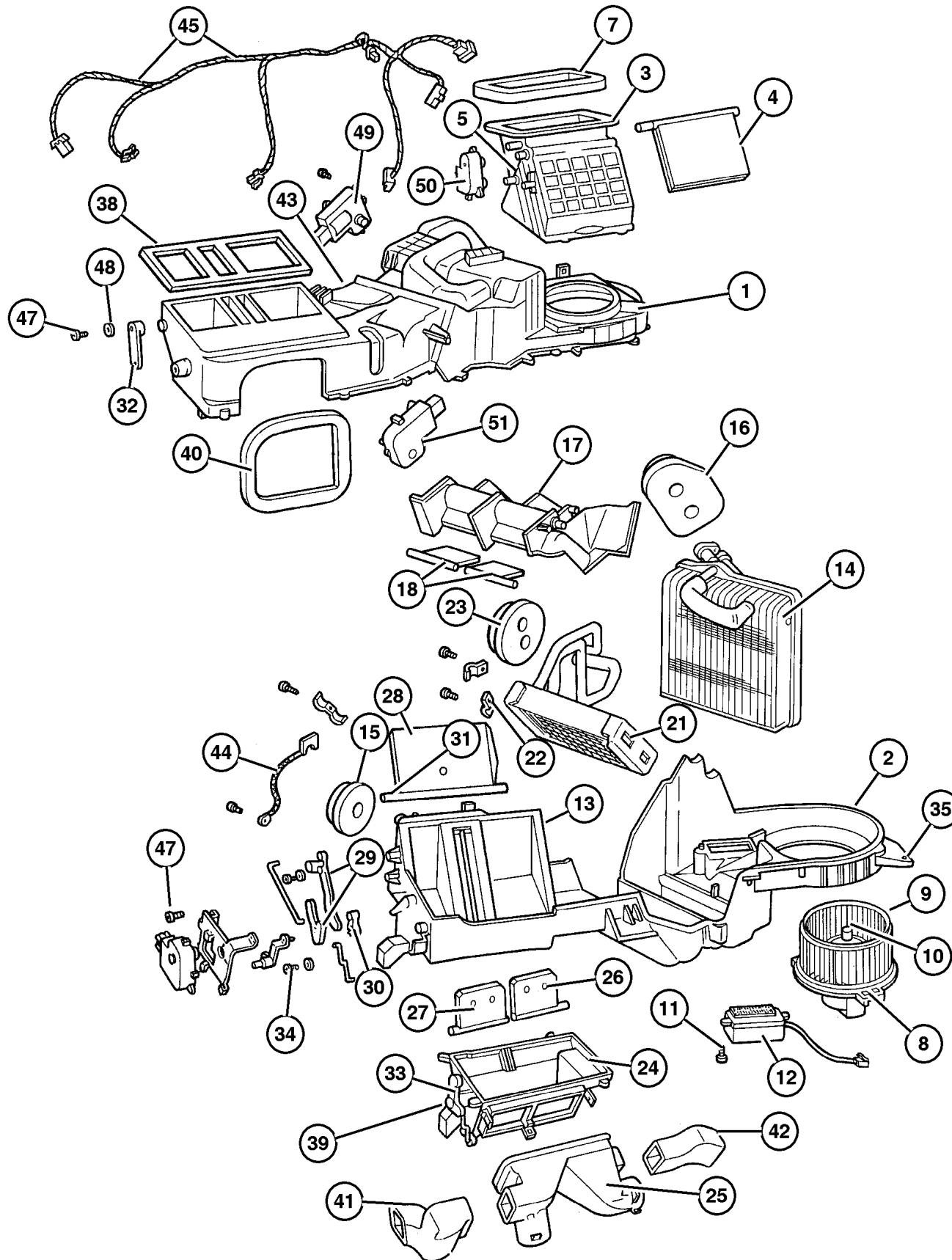
1	5012 715AC	1	J, T			HOUSING, A/C Upper
2	5012 755AC	1	J, T			HOUSING, A/C Lower
3	5012 754AA	1	J, T			HOUSING, Air Recirculating
4	5012 712AA	1	J, T			DOOR, Air Inlet
5	5012 753AA	1	J, T			LEVER, A/C Recirculation Door
-6	5012 752AA	1	J, T			DIAPHRAGM, Heater and A/C Unit
7	5012 709AA	1	J, T			SEAL, Air Inlet
8	5012 708AA	1	J, T			MOTOR, Blower
9	5012 701AB	1	J, T			FAN, Blower Motor
10	2837 680	1	J, T			CLAMP, Blower Motor Wheel
11	5012 700AA	3	J, T			SCREW, Tapping
12	5014 212AA	1	J, T			RESISTOR, Blower Motor
13	5012 698AA	1	J, T			INSULATOR, Air Conditioning
14	5012 697AA	1	J, T			EVAPORATOR, Air Conditioning
15	5012 696AA	1	J, T			SEAL, Evaporator Drain
16	5014 744AA	1	J, T			SEAL, A/C Evaporator
17	5012 694AB	1	J, T			HOUSING, A/C Unit
18	5012 751AA	1	J, T			DOOR, Blend Air
-19	5012 711AA	2	J, T			LINK, Heater and Damper Contrl
-20	5012 750AA	1	J, T			SERVO, A/C Temperature Door
21	5012 691AC	1	J, T			CORE, Heater
22	5012 745AA	2	J, T			CLAMP, Heater
23	5012 744AA	1	J, T			SEAL, Heater Tubes
24	5012 762AA	1	J, T			HOUSING, A/C Unit
25	5012 742AA	1	J, T			COVER, Heater
26	5012 741AA	1	J, T			DOOR, Panel
27	5012 740AA	1	J, T			DOOR, Distribution Duct
28	5012 739AA	1	J, T			DOOR, Floor Defroster Duct
29	5012 738AA	1	J, T			LEVER, Panel Door
30	5012 735AA	1	J, T			LEVER, Panel Door
31	5012 734AA	1	J, T			SHAFT, A/C and Heater Door
32	5012 731AA	1	J, T			LEVER, A/C Vent Defrost Door
33	5012 761AA	1	J, T			LEVER, Panel Door
34	5012 729AA	1	J, T			SCREW, Tapping
35	6101 442	4	J, T			U-NUT, M6 x 1.00, M6x1.00
-36	5012 760AA	1	J, T			DIAPHRAGM, Heater and A/C Unit
-37	5012 759AA	1	J, T			DIAPHRAGM, Heater and A/C Unit
38	5012 727AA	1	J, T			SEAL, Demister
39	5012 726AA	1	J, T			SEAL, Defroster Duct
40	5015 355AA	1	J, T			SEAL, Panel

JEEP GRAND CHEROKEE (WJ)

SERIES	LINE	BODY	ENGINE	TRANSMISSION
H=Laredo	J = 4WD	74 = 4 Door(105.9 WB)	ER0, ERH = 4.0L, Power Tech I-6	DGK = 4 Speed Autm, 42RE
P=Limited	T = 2WD		EVO, EVA = 4.7L, Power Tech V8	DGW = 4 Speed Automatic, -44RE
	U = 4WD (RHD)		EXA, EX0 = 3.1L, 5 Cyl Turbo Diesel	DG4 = Multi Speed Automatic, -45RFE
				DGO = All Automatic

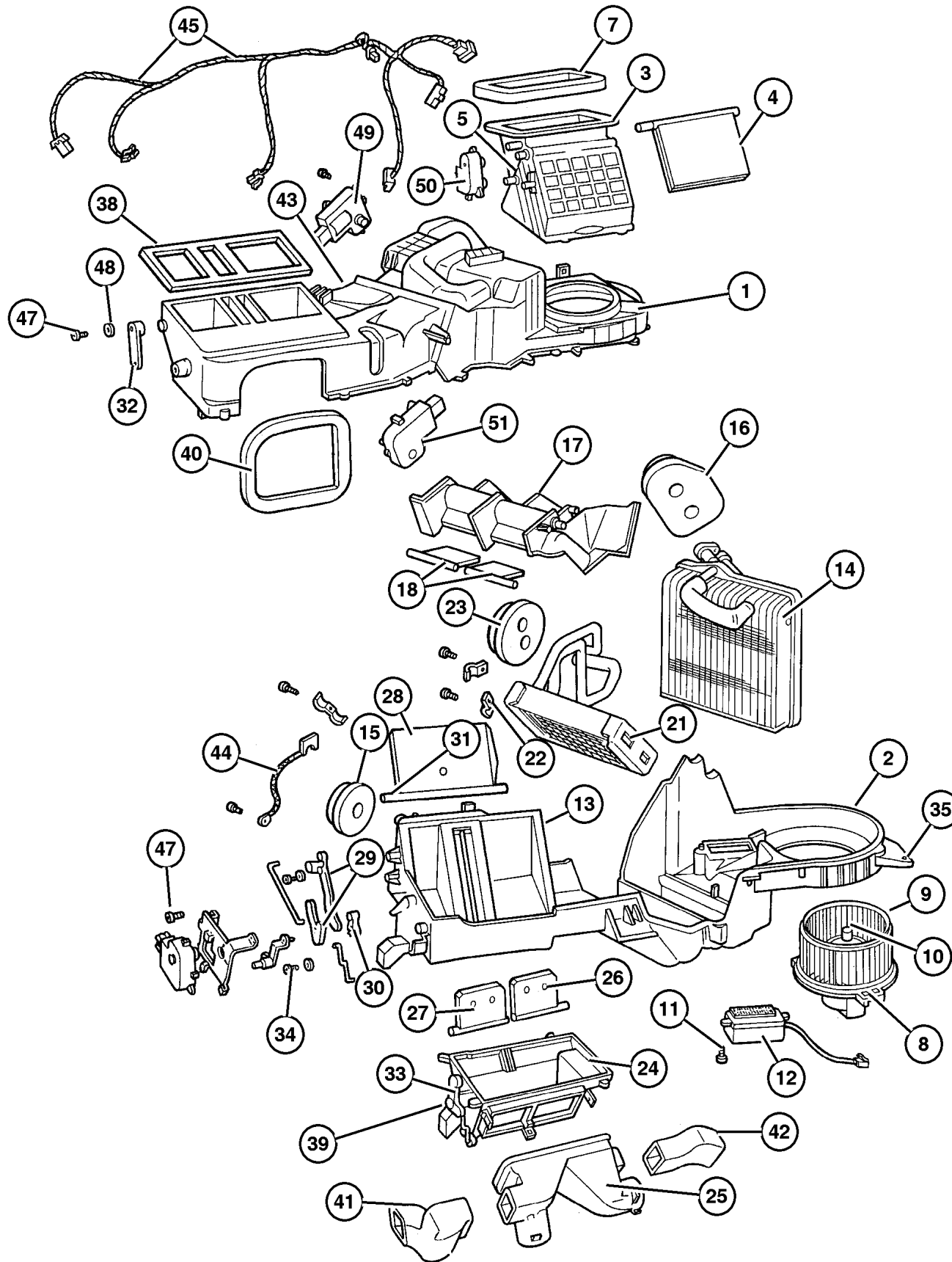
AR = Use as required - = Non illustrated part # = New this model year

April 3, 2002



HEVAC with Manual Control, LHD
Figure 024-170

ITEM	PART NUMBER	QTY	LINE	BODY	ENGINE	DESCRIPTION
41	5012 723AB	1	J, T			DUCT, Floor Distribution
42	5012 722AD	1	J, T			DUCT, Floor Distribution
43	5012 721AA	1	J, T			SEAL, Air Conditioning Unit
44	56038 591AB	1			EVO	STRAP, Ground
45	5012 758AA	1	J, T			HARNESS, Air Conditioning Control
-46	5012 757AB	1	J, T			TUBE, Vacuum
47	4720 533	26	J, T			SCREW, Heater Housing
48	4720 534	6	J, T			SCREW, Pan Head
49	5012 756AA	5	J, T			SPRING
50	5012 750AA	1	J, T			SERVO, A/C Temperature Door
51	5012 750AA	1	J, T			SERVO, A/C Temperature Door



JEEP GRAND CHEROKEE (WJ)

SERIES	LINE	BODY	ENGINE	TRANSMISSION
H=Laredo	J = 4WD	74 = 4 Door(105.9 WB)	ER0, ERH = 4.0L, Power Tech I-6	DGK = 4 Speed Autm, 42RE
P=Limited	T = 2WD		EVO, EVA = 4.7L, Power Tech V8	DGW = 4 Speed Automatic, -44RE
	U = 4WD (RHD)		EXA, EX0 = 3.1L, 5 Cyl Turbo Diesel	DG4 = Multi Speed Automatic, -45RFE
				DGO = All Automatic

AR = Use as required - = Non illustrated part # = New this model year

April 3, 2002

HEVAC with Manual Control, RHD Figure 024-180

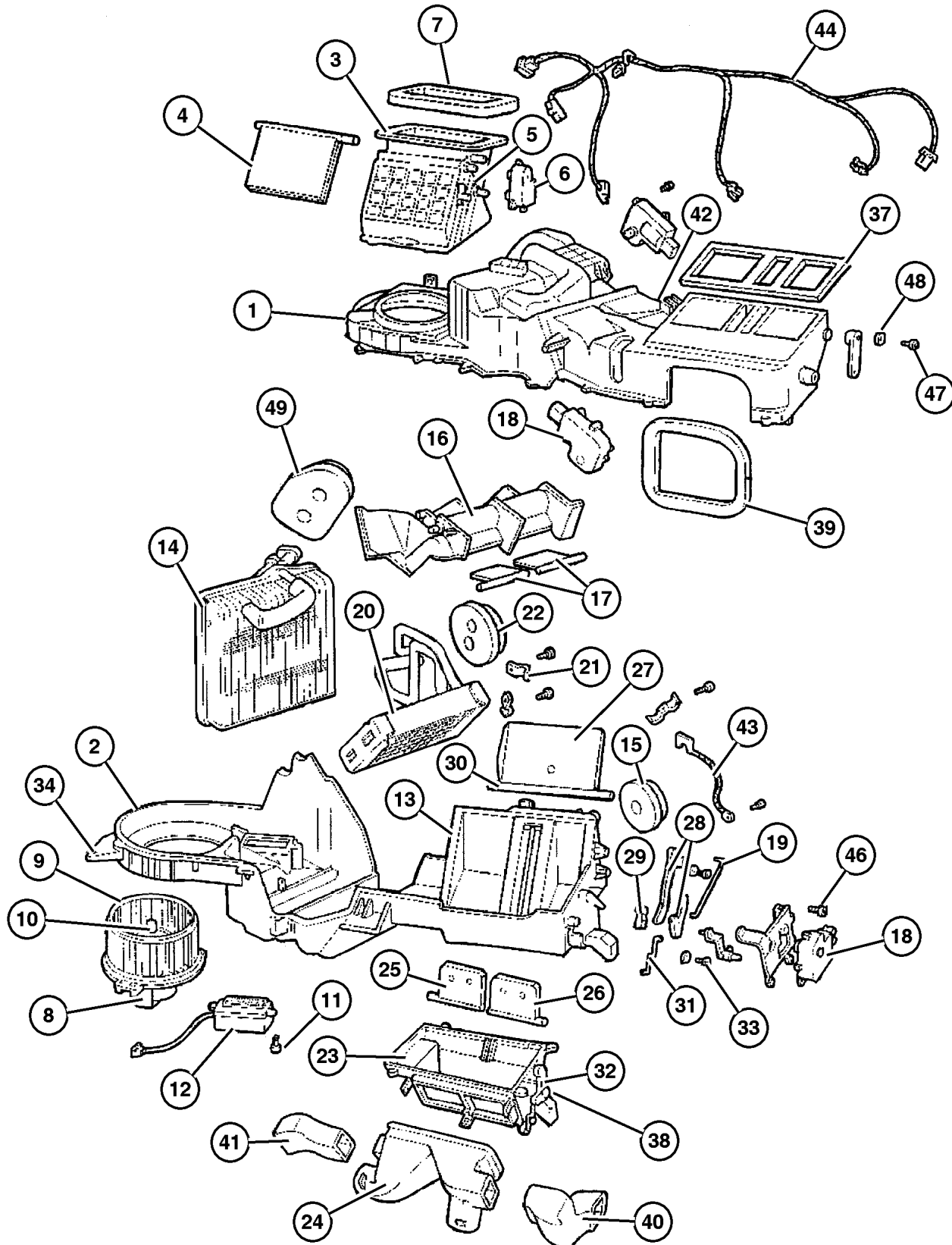
ITEM	PART NUMBER	QTY	LINE	BODY	ENGINE	DESCRIPTION
Note: Sales Code HAA = Air Conditioning und in the VIN number						
1	5013 552AA	1	U			HOUSING, A/C Upper
2	5013 551AA	1	U			HOUSING, A/C Lower
3	5013 569AA	1	U			HOUSING, Air Recirculating
4	5012 712AA	1	U			DOOR, Air Inlet
5	5013 567AA	1	U			LEVER, A/C Recirculation Door
6	5012 752AA	1	U			DIAPHRAGM, Heater and A/C Unit
7	5012 709AA	1	U			SEAL, Air Inlet
8	5013 566AA	1	U			MOTOR, Blower
9	5013 565AB	1	U			FAN, Blower Motor
10	2837 680	1	U			CLAMP, Blower Motor Wheel
11	5012 700AA	3	U			SCREW, Tapping
12	5014 212AA	1	U			RESISTOR, Blower Motor
13	5013 564AA	1	U			INSULATOR, Air Conditioning
14	5013 563AA	1	U			EVAPORATOR, Air Conditioning
15	5012 696AA	1	U			SEAL, Evaporator Drain
16	5013 560AA	1	U			HOUSING, A/C Unit
17	5013 558AA	1	U			DOOR, Blend Air
18	5013 561AA	1	U			SERVO, A/C Temperature Door
19	5013 559AA	2	U			LINK, Heater and Damper Contrl
20	5014 420AA	1	U			CORE, Heater
21	5013 554AA	1	U			CLIP, Heater Core
22	5013 553AA	1	U			SEAL, Heater Tubes
23	5013 498AA	1	U			HOUSING, A/C Unit
24	5013 496AA	1	U			COVER, Heater
25	5012 741AA	1	U			DOOR, Panel
26	5013 579AA	1	U			DOOR, Distribution Duct
27	5012 739AA	1	U			DOOR, Floor Defroster Duct
28	5013 578AA	1	U			LEVER, Panel Door
29	5013 577AB	1	U			LEVER, Panel Door
30	5012 734AA	1	U			SHAFT, A/C and Heater Door
31	5013 575AA	1	U			LEVER, A/C Vent Defrost Door
32	5013 574AA	1	U			LEVER, Panel Door
33	5012 729AA	1	U			SCREW, Tapping
34	6101 442	4	U			U-NUT, M6 x 1.00, M6x1.00
-35	5014 422AA	1	U			DIAPHRAGM, Heater and A/C Unit
-36	5014 423AA	1	U			DIAPHRAGM, Heater and A/C Unit
37	5012 727AA	1	U			SEAL, Demister
38	5012 726AA	1	U			SEAL, Defroster Duct
39	5015 355AA	1	U			SEAL, Panel
40	5013 571AA	1	U			DUCT, Floor Distribution
41	5013 570AA	1	U			DUCT, Floor Distribution

JEEP GRAND CHEROKEE (WJ)

SERIES	LINE	BODY	ENGINE	TRANSMISSION
H=Laredo	J = 4WD	74 = 4 Door(105.9 WB)	ER0, ERH = 4.0L, Power Tech I-6	DGK = 4 Speed Autm, 42RE
P=Limited	T = 2WD		EV0, EVA = 4.7L, Power Tech V8	DGW = 4 Speed Automatic, -44RE
	U = 4WD (RHD)		EXA, EX0 = 3.1L, 5 Cyl Turbo Diesel	DG4 = Multi Speed Automatic, -45RFE
				DGO = All Automatic

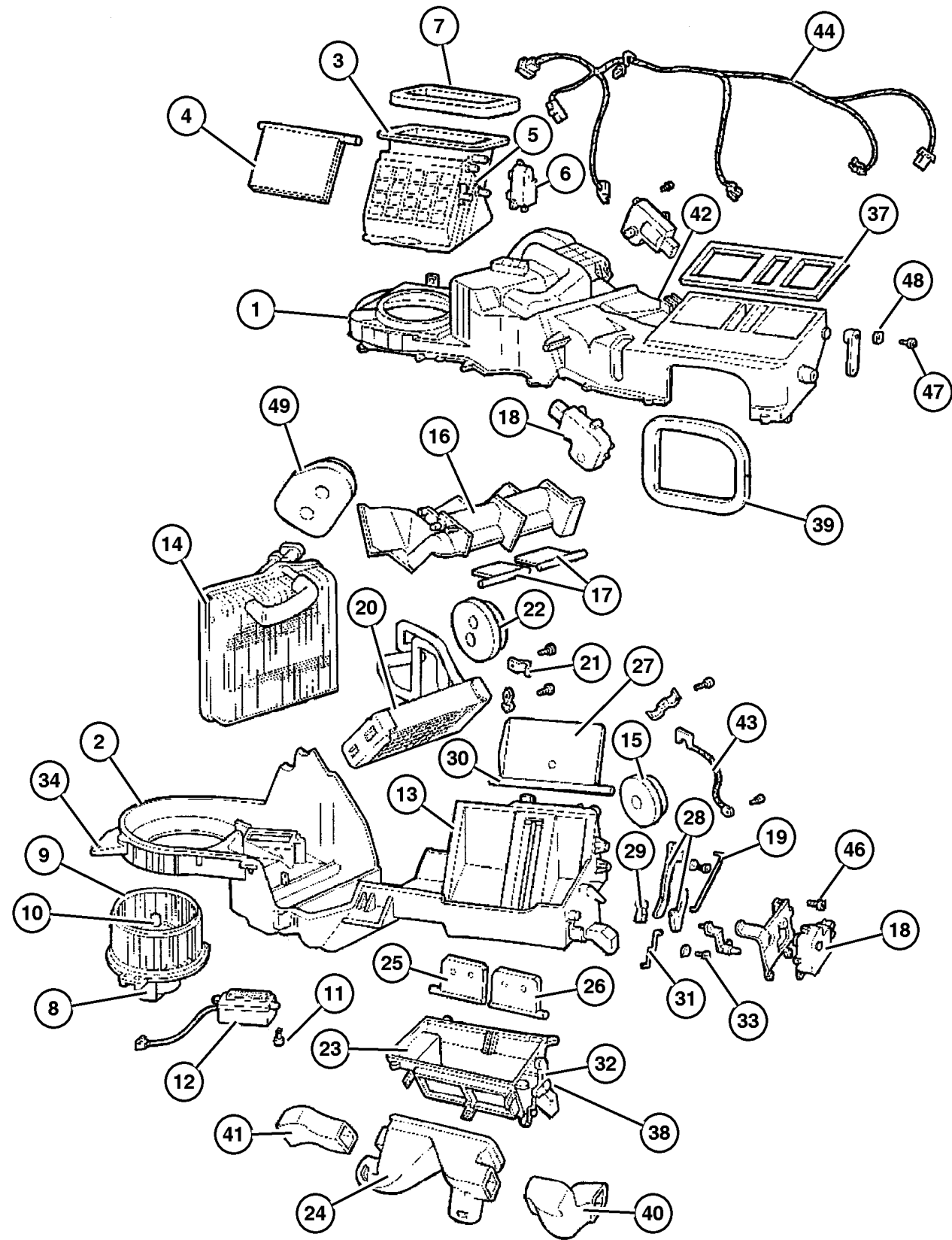
AR = Use as required - = Non illustrated part # = New this model year

April 3, 2002



HEVAC with Manual Control, RHD
Figure 024-180

ITEM	PART NUMBER	QTY	LINE	BODY	ENGINE	DESCRIPTION
42	5012 721AA	1	U			SEAL, Air Conditioning Unit
43	56038 591AA	1			EVO	STRAP, Ground
44	5012 758AA	1	U			HARNESS, Air Conditioning Control
-45	5012 757AB	1	U			TUBE, Vacuum
46	4720 533	26	U			SCREW, Heater Housing
47	4720 534	6	U			SCREW, Pan Head
48	5012 756AA	5	U			SPRING
49	5013 562AB	1	U			SEAL, A/C Evaporator

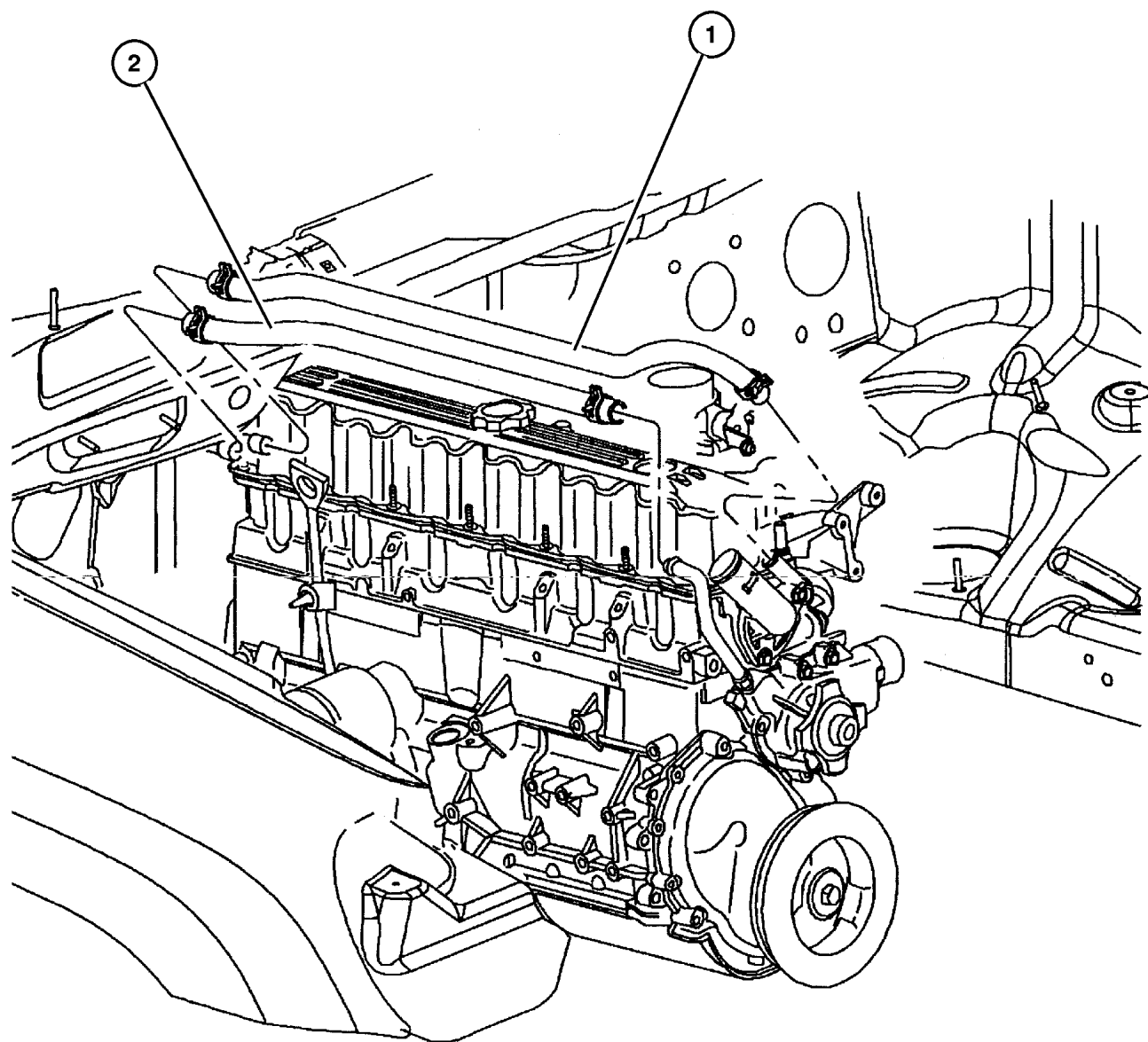


JEEP GRAND CHEROKEE (WJ)				
SERIES	LINE	BODY	ENGINE	TRANSMISSION
H=Laredo	J = 4WD	74 = 4 Door(105.9 WB)	ER0, ERH = 4.0L, Power Tech I-6	DGK = 4 Speed Autm, 42RE
P=Limited	T = 2WD		EVO, EVA = 4.7L, Power Tech V8	DGW = 4 Speed Automatic, -44RE
	U = 4WD (RHD)		EXA, EX0 = 3.1L, 5 Cyl Turbo Diesel	DG4 = Multi Speed Automatic, -45RFE
				DGO = All Automatic

AR = Use as required - = Non illustrated part # = New this model year

April 3, 2002

Hoses, Heater 3.1, 4.0L Engines
Figure 024-240



ITEM	PART NUMBER	QTY	LINE	BODY	ENGINE	DESCRIPTION
------	-------------	-----	------	------	--------	-------------

Note: Sales Code ER0 = 4.0 L Engine und in the VIN number
 Note: Sales Code EX0 = 3.1 L Engine und in the VIN number

1						HOSE, Heater Supply
	5511 5889	1	U		ER0	
	5511 5890	1	J, T		ER0	
	5511 7081	1	J, T		EX0	
2						HOSE, Heater Return
	5511 5892	1	U		ER0	
	5511 5897	1	J, T		ER0	
	5511 7082	1	J, T		EX0	

JEEP GRAND CHEROKEE (WJ)				
SERIES	LINE	BODY	ENGINE	TRANSMISSION
H=Laredo	J = 4WD	74 = 4 Door(105.9 WB)	ER0, ERH = 4.0L, Power Tech I-6	DGK = 4 Speed Autm, 42RE
P=Limited	T = 2WD		EV0, EVA = 4.7L, Power Tech V8	DGW = 4 Speed Automatic, -44RE
	U = 4WD (RHD)		EXA, EX0 = 3.1L, 5 Cyl Turbo Diesel	DG4 = Multi Speed Automatic, -45RFE
				DGO = All Automatic

AR = Use as required - = Non illustrated part # = New this model year

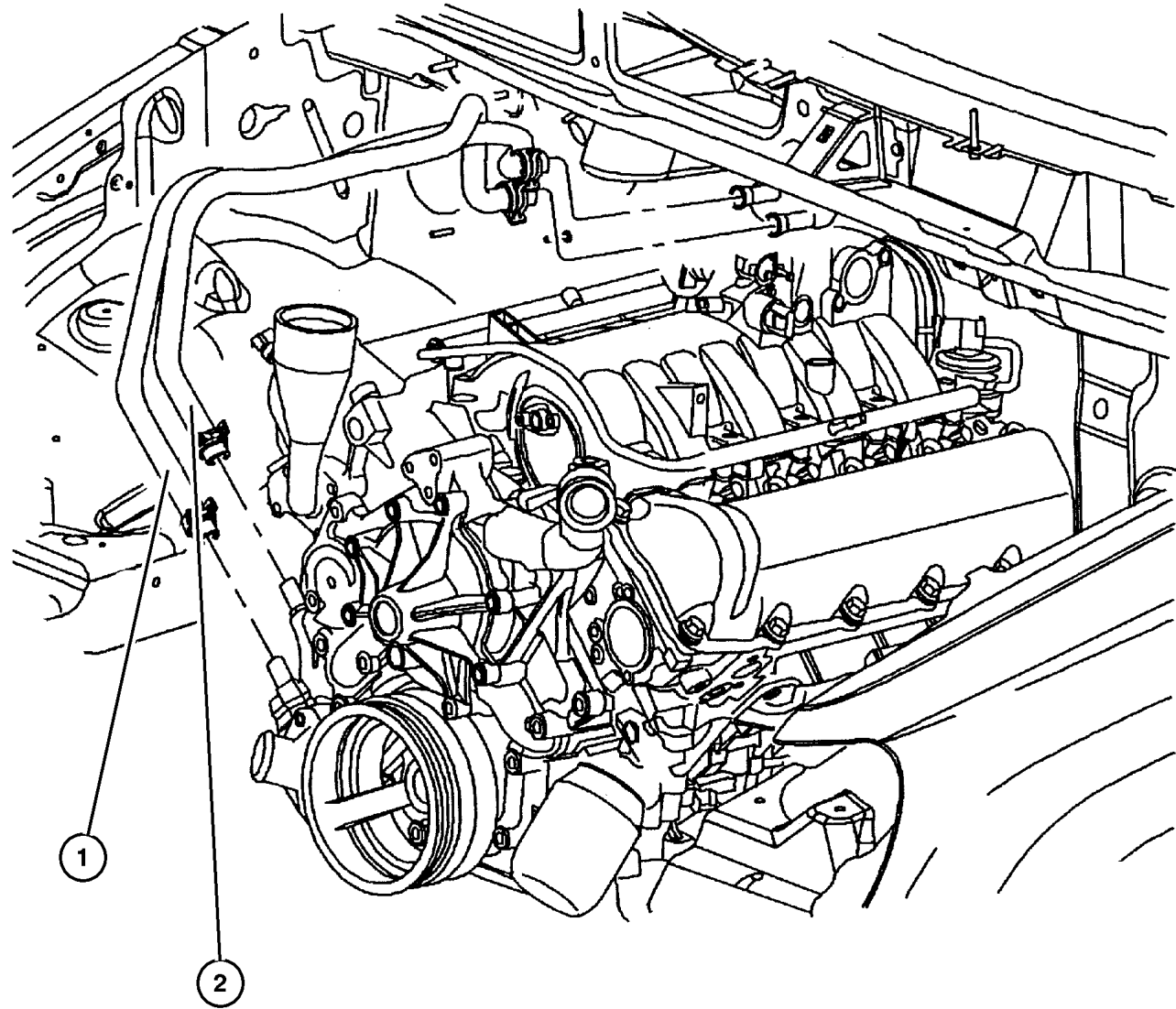
April 3, 2002

Hoses, Heater 4.7L Engine Figure 024-245

ITEM	PART NUMBER	QTY	LINE	BODY	ENGINE	DESCRIPTION
------	-------------	-----	------	------	--------	-------------

Note: Sales Code EV0 = 4.7 L Engine und in the VIN number

1						TUBE AND HOSE, Supply
	55115 895AB	1	J, T		EV0	
	55116 352AB	1	U		EV0	
2						TUBE AND HOSE, Return
	55115 896AB	1	J, T		EV0	
	55116 353AB	1	U		EV0	



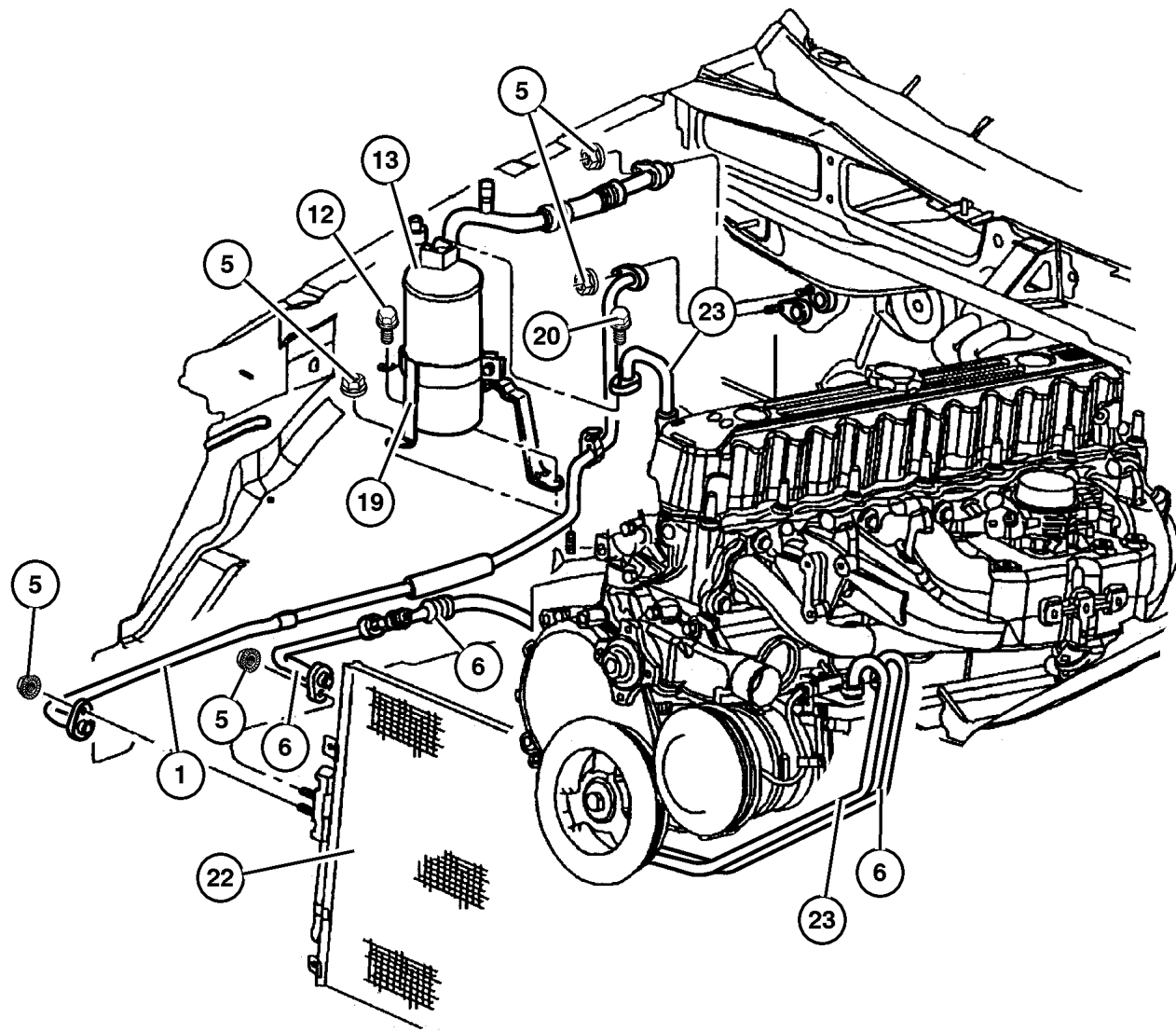
JEEP GRAND CHEROKEE (WJ)

SERIES	LINE	BODY	ENGINE	TRANSMISSION
H=Laredo	J = 4WD	74 = 4 Door(105.9 WB)	ER0, ERH = 4.0L, Power Tech I-6	DGK = 4 Speed Autm, 42RE
P=Limited	T = 2WD		EV0, EVA = 4.7L, Power Tech V8	DGW = 4 Speed Automatic, -44RE
	U = 4WD (RHD)		EXA, EX0 = 3.1L, 5 Cyl Turbo Diesel	DG4 = Multi Speed Automatic, -45RFE
				DGO = All Automatic

AR = Use as required - = Non illustrated part # = New this model year

April 3, 2002

**Accumulator, Condenser and Lines 3.1, 4.0L Engines
Figure 024-250**



ITEM	PART NUMBER	QTY	LINE	BODY	ENGINE	DESCRIPTION
Note und in the VIN number						
ERO = All 4.0 L Engines und in the VIN number						
EVO = All 4.7 L Engines und in the VIN number						
EXO = All 3.1 L Engines und in the VIN number						
1						LINE, A/C Liquid
	53054 569AA	1	J, T		EX0	
	55115 914AC	1	J, T		ERO, EVO	
-2	4796 565	1	J, T		EX0	O RING, A/C Discharge Line
-3	5012 980AA	1	J, T		EX0	O RING, A/C Liquid Line
-4	55116 339AA	1	J, T		EX0	RETAINER, A/C Supply Line
5						NUT AND WASHER, Hex Nut-Coned Washer, M8 x 1.25
	6101 445	1	J, T			
		1	U			
6						LINE, A/C Discharge
	55116 162AB	1	J, T		ERO	
	55116 163AC	1	U		ERO	
	5511 7086	1	J, T		EX0	
	#5511 7089	1	U		EX0	
-7	4796 565	1	J, T		EX0	O RING, A/C Discharge Line
-8	4741 705	1	J, T		EX0	O RING, A/C Liquid Line
-9						VALVE CORE, Service Port
	5011 346AA	2	U		ERO	
		1	J, T		EX0	
-10						BRACKET, A/C Line
	5012 988AA	1	J, T		ERO	
	5012 989AA	1	U		EVO	
-11	4897 617AA	1	J, T		EX0	SWITCH, A/C High Pressure Cut Off
12	6502 064	6				SCREW, Tapping, M6x1x20
13						ACCUMULATOR, Suction Line
	55115 909AB	1	U		ERO, EVO	
	5511 7088	1	J, T		EX0	
	55115 910AC	1	J, T		ERO	
-14	5012 979AA	1			EX0	O RING, A/C Suction Line
-15	4728 705	1	J, T		EX0	O RING, Low Pressure Cutout Switc
-16	4897 613AA	1	J, T		EX0	SWITCH, A/C Cycling
-17	5011 346AA	2	J, T		EX0	VALVE CORE, Service Port
-18						CAP, A/C Charge Valve
	5015 568AA	1	U		EX0	
		1	J, T		ERO	
19	53054 571AA	1	J, T		EX0	BRACKET, Accumulator
20						SCREW, Hex Flange Head, M8x1.25x25.00

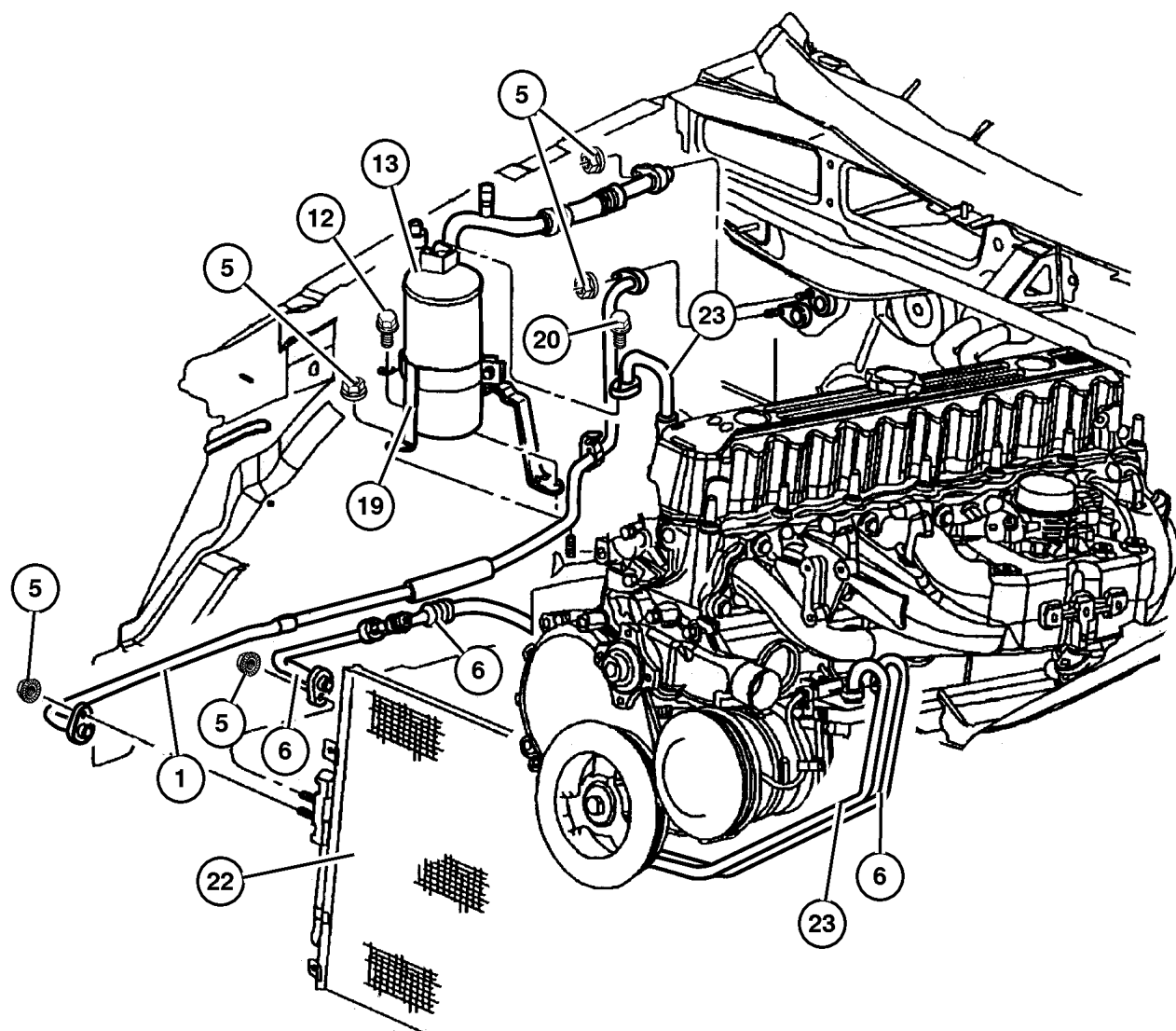
JEEP GRAND CHEROKEE (WJ)

SERIES	LINE	BODY	ENGINE	TRANSMISSION
H=Laredo	J = 4WD	74 = 4 Door(105.9 WB)	ERO, ERH = 4.0L, Power Tech I-6	DGK = 4 Speed Autm, 42RE
P=Limited	T = 2WD		EVO, EVA = 4.7L, Power Tech V8	DGW = 4 Speed Automatic, -44RE
	U = 4WD (RHD)		EXA, EX0 = 3.1L, 5 Cyl Turbo Diesel	DG4 = Multi Speed Automatic, -45RFE
				DGO = All Automatic

AR = Use as required - = Non illustrated part # = New this model year

April 3, 2002

**Accumulator, Condenser and Lines 3.1, 4.0L Engines
Figure 024-250**



ITEM	PART NUMBER	QTY	LINE	BODY	ENGINE	DESCRIPTION
	6501 648	1	J, T		ER0	
		1	J		EX0	
-21	55116 446AA	1				LABEL, Refrigerant
22						CONDENSER, Air Conditioning
	55115 918AB	1	J, T		ER0	
		1	U		ER0	
		1	J, T		EX0	
		1	U		EX0	
23						LINE, A/C Suction
	55116 359AC	1	U		EVO	
	5511 7087	1			EX0	
	55116 164AC	1	U		ER0	
	55116 501AB	1	J, T		ER0	
-24	5012 979AA	1			EX0	O RING, A/C Suction Line
-25	5012 981AA	1			EX0	O RING, A/C Suction Line
-26	5503 5784	1			EX0	CLIP, Tube
-27	6034 966	1			EX0	BOLT, .312-24x1.170

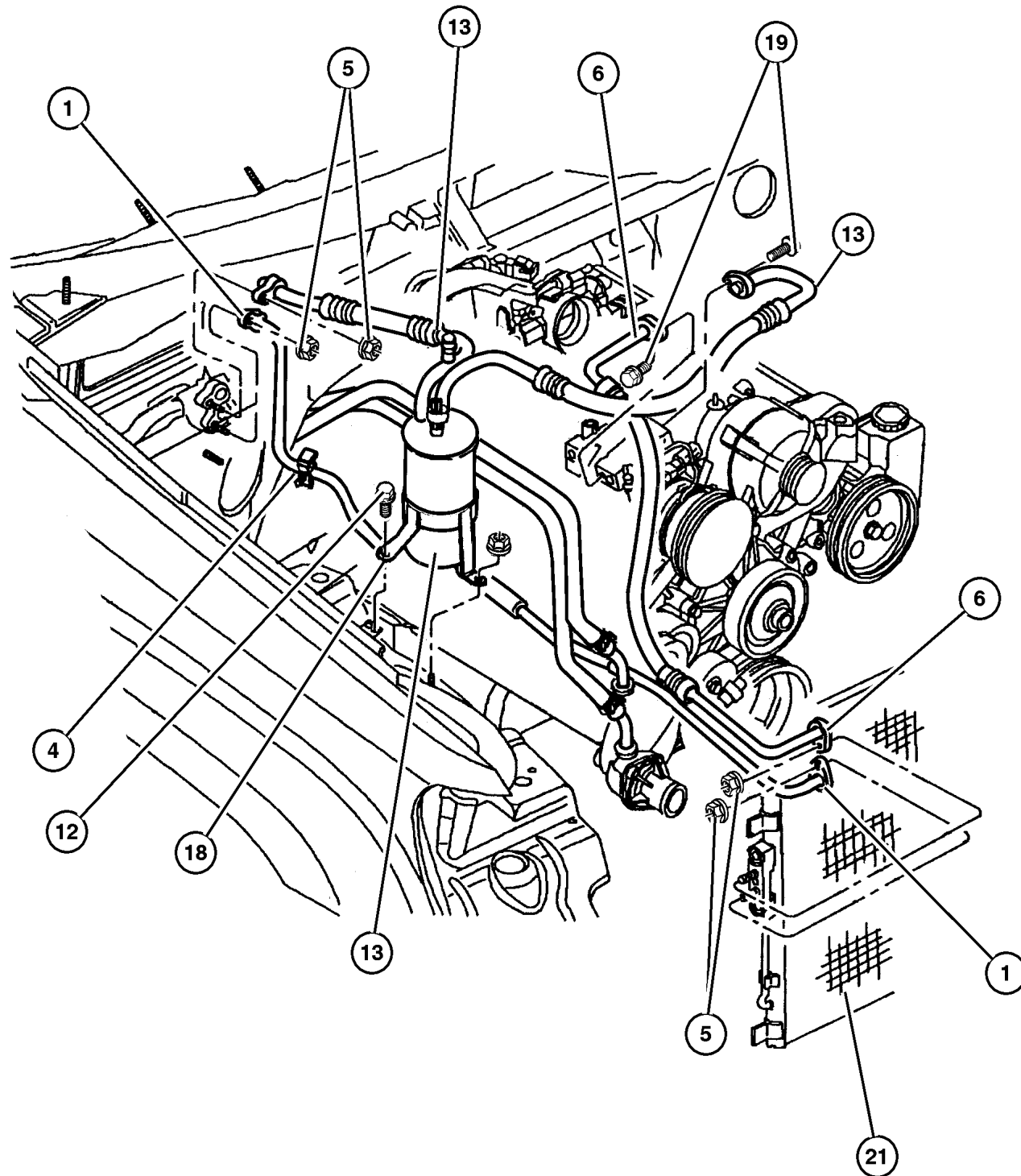
JEEP GRAND CHEROKEE (WJ)

SERIES	LINE	BODY	ENGINE	TRANSMISSION
H=Laredo	J = 4WD	74 = 4 Door(105.9 WB)	ER0, ERH = 4.0L, Power Tech I-6	DGK = 4 Speed Autm, 42RE
P=Limited	T = 2WD		EVO, EVA = 4.7L, Power Tech V8	DGW = 4 Speed Automatic, -44RE
	U = 4WD (RHD)		EXA, EX0 = 3.1L, 5 Cyl Turbo Diesel	DG4 = Multi Speed Automatic, -45RFE
				DGO = All Automatic

AR = Use as required - = Non illustrated part # = New this model year

April 3, 2002

Accumulator, Condenser and Lines 4.7L Engine Figure 024-255



ITEM	PART NUMBER	QTY	LINE	BODY	ENGINE	DESCRIPTION
Note: Sales Code und in the VIN number						
ERO = All 4.0L 6 Cyl Gas Engines und in the VIN number						
EVO = All 4.7 L Engines und in the VIN number						
1						LINE, A/C Liquid
	55115 914AC	1	J, T		ERO, EVO	
	55116 161AD	1	U		ERO, EVO	
-2						O RING, A/C Discharge Line
	4796 565	2	J, T		EVO	
		2	U		EVO	
-3						O RING, A/C Liquid Line
	5012 980AA	1	J, T		ERO, EVO	
		1	U		ERO, EVO	
4						RETAINER, A/C Supply Line
	55116 339AA	1	J, T		ERO, EVO	
		1	U		ERO, EVO	
5	6101 445	1			ERO, EVO	NUT AND WASHER, Hex Nut-Coned Washer, M8 x 1.25
6						LINE, A/C Discharge
	55116 165AC	1	J, T		EVO	
	55116 358AC	1	U		EVO	
-7						O RING, A/C Discharge Line
	4796 565	2	J, T		EVO	
		2	U		ERO	
-8						O RING, A/C Liquid Line
	4741 705	1	J, T		EVO	
		1	U		EVO	
-9						VALVE CORE, Service Port
	5011 346AA	2	J, T		EVO	
		2	U		EVO	
-10	5012 987AA	1	U		EVO	CLIP, Discharge Line
-11						SWITCH, A/C High Pressure Cut Off
	4897 617AA	1	J, T		EVO	
		1	U		EVO	
12	6502 064	6				SCREW, Tapping, M6x1x20
13	55115 911AC	1	J, T		EVO	ACCUMULATOR, Suction and Discharge Line
-14						O RING, A/C Suction Line

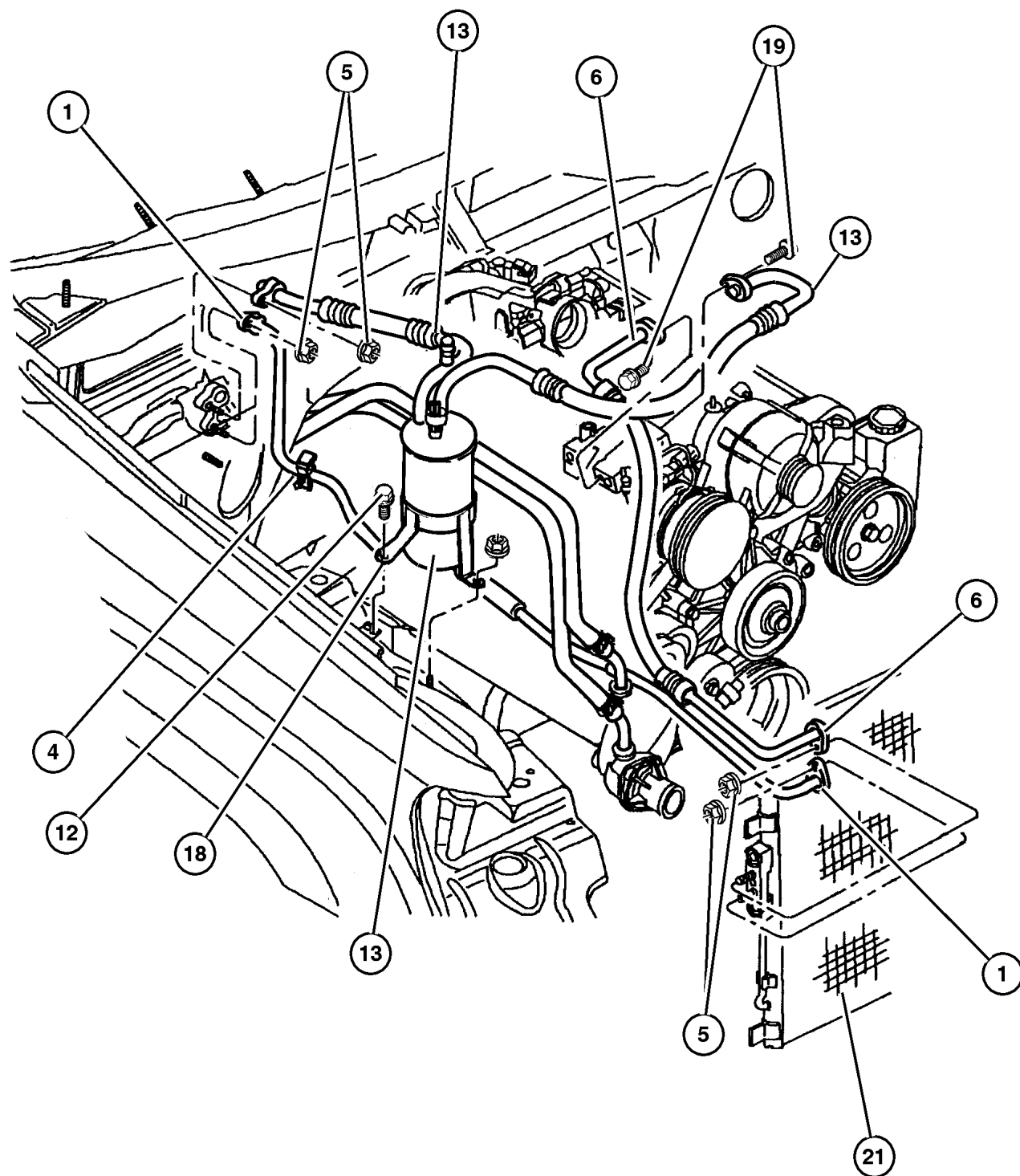
JEEP GRAND CHEROKEE (WJ)

SERIES	LINE	BODY	ENGINE	TRANSMISSION
H=Laredo	J = 4WD	74 = 4 Door(105.9 WB)	ERO, ERH = 4.0L, Power Tech I-6	DGK = 4 Speed Autm, 42RE
P=Limited	T = 2WD		EVO, EVA = 4.7L, Power Tech V8	DGW = 4 Speed Automatic, -44RE
	U = 4WD (RHD)		EXA, EX0 = 3.1L, 5 Cyl Turbo Diesel	DG4 = Multi Speed Automatic, -45RFE
				DGO = All Automatic

AR = Use as required - = Non illustrated part # = New this model year

April 3, 2002

Accumulator, Condenser and Lines 4.7L Engine Figure 024-255



ITEM	PART NUMBER	QTY	LINE	BODY	ENGINE	DESCRIPTION
	5012 979AA	1	J, T		EVO	
	5012 981AA	1	U		EVO	
-15	4728 705	1	J, T		EVO	O RING, Low Pressure Cutout Switc
		1	U		ERO,	
					EVO	
-16	4897 613AA	1	J, T		EVO	SWITCH, A/C Cycling
		1	U		ERO,	
					EVO	
-17	5011 346AA	2	J, T		EVO	VALVE CORE, Service Port
		2	U		EVO	
18	5012 986AA	1	J, T		EVO	BRACKET, Accumulator
	5012 985AA	1	U		ERO,	
					EVO	
19	6501 648	1	U		ERO,	SCREW, Hex Flange Head, M8x1.25x25.00
					EVO	
-20	55116 446AA	1				LABEL, Refrigerant
21						CONDENSER, Air Conditioning
	55115 918AB	1	J, T		EVO	
		1	U		EVO	

JEEP GRAND CHEROKEE (WJ)

SERIES	LINE	BODY	ENGINE	TRANSMISSION
H=Laredo	J = 4WD	74 = 4 Door(105.9 WB)	ER0, ERH = 4.0L, Power Tech I-6	DGK = 4 Speed Autm, 42RE
P=Limited	T = 2WD		EVO, EVA = 4.7L, Power Tech V8	DGW = 4 Speed Automatic, -44RE
	U = 4WD (RHD)		EXA, EX0 = 3.1L, 5 Cyl Turbo Diesel	DG4 = Multi Speed Automatic, -45RFE
				DGO = All Automatic

AR = Use as required - = Non illustrated part # = New this model year

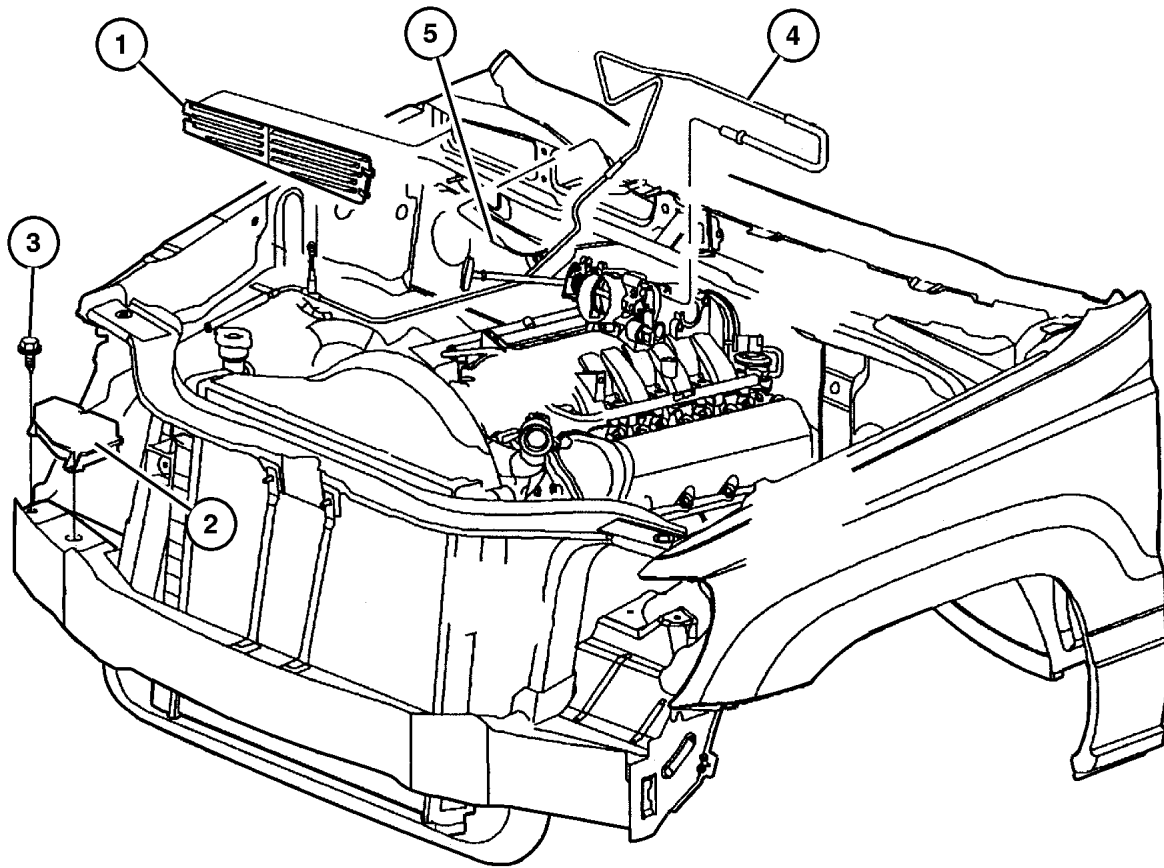
April 3, 2002

Hevac Vacuum Engine Lines and Controls Figure 024-260

ITEM	PART NUMBER	QTY	LINE	BODY	ENGINE	DESCRIPTION
------	-------------	-----	------	------	--------	-------------

und in the VIN number
 Note: Sales Code ER0 = 4.0 L Engine und in the VIN number
 Note: Sales Code EX0 = 3.1 L Engine und in the VIN number
 Note: Sales Code EV0 = 4.7 L Engine und in the VIN number

1						BAFFLE, Air
	5511 5885	1	J, T			
	5511 5886	1	U			
2	5511 5899	1			ER0, EV0	RESERVOIR, Vacuum
3						SCREW, Hex Flange Head Tapping, M4.8 x 1.59 x 14.00, (NOT SERVICED)
4						VACUUM HARNESS, Heater and A/C
	55115 901AC	1	J, T		ER0	
	55116 490AA	1	U		ER0	
	55116 158AB	1	J, T		EX0	
	55115 900AC	1	J, T		EV0	
	55116 489AA	1	U		EV0	
5	3580 172	1				CAP, Vacuum



JEEP GRAND CHEROKEE (WJ)

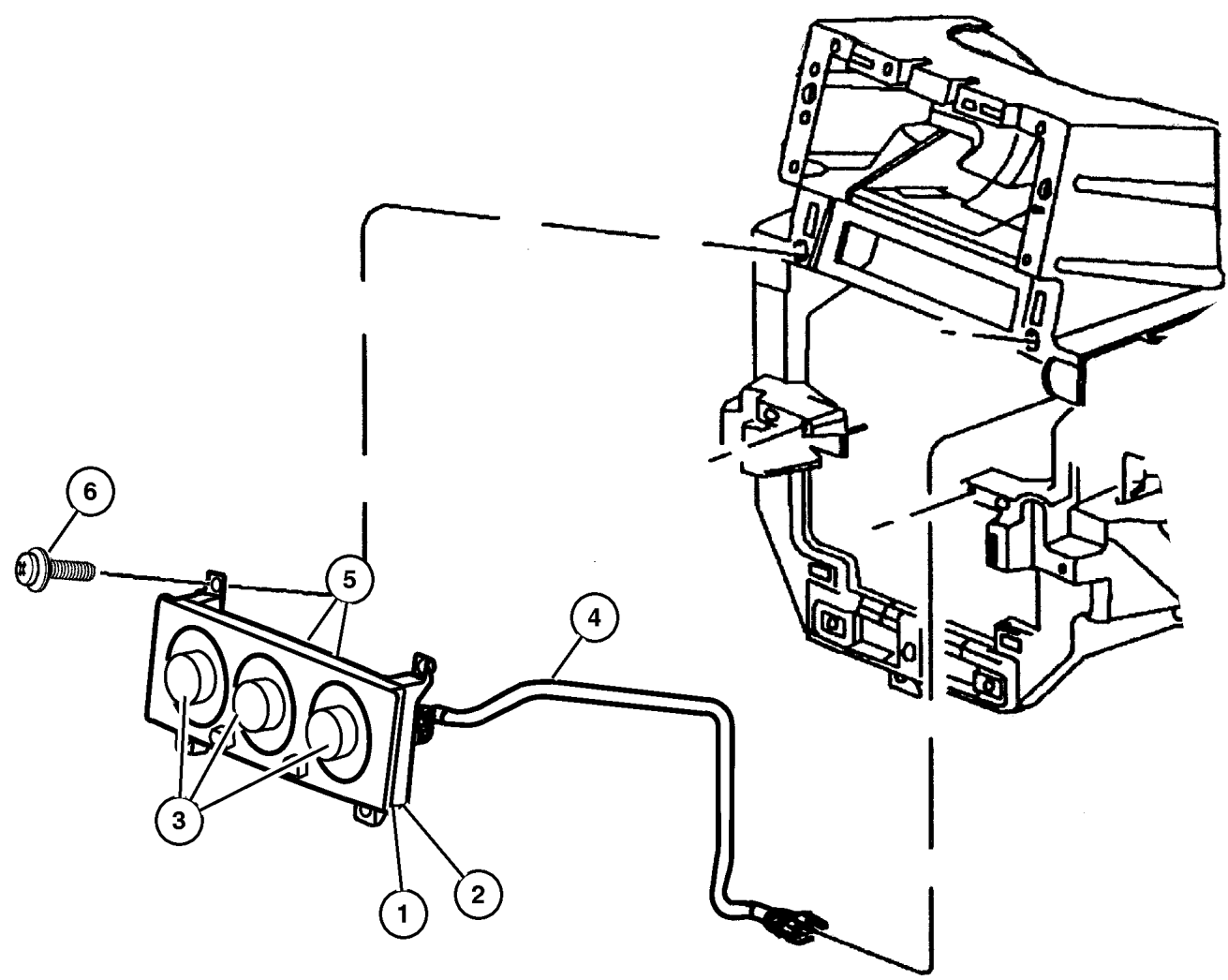
SERIES	LINE	BODY	ENGINE	TRANSMISSION
H=Laredo	J = 4WD	74 = 4 Door(105.9 WB)	ER0, ERH = 4.0L, Power Tech I-6	DGK = 4 Speed Autm, 42RE
P=Limited	T = 2WD		EV0, EVA = 4.7L, Power Tech V8	DGW = 4 Speed Automatic, -44RE
	U = 4WD (RHD)		EXA, EX0 = 3.1L, 5 Cyl Turbo Diesel	DG4 = Multi Speed Automatic, -45RFE
				DGO = All Automatic

AR = Use as required - = Non illustrated part # = New this model year

April 3, 2002

**Control, Heater and Air Conditioner
Figure 024-330**

ITEM	PART NUMBER	QTY	LINE	BODY	ENGINE	DESCRIPTION
Note: Sales Code HAA = Air Conditioning und in the VIN number						
Note: Sales Code HAF = Auto Temp Control und in the VIN number						
1	5511 5904	1				CONTROL, A/C And Heater
2	5511 5903	1				CONTROL, Auto Temp Control
3	5012 976AA	2				KNOB, ATC Control
4	5012 977AA	1				HARNES, A/C And Heater Vacuum
5	5013 124AA	2				BULB, Heater and A/C Control
6	6101 946	4				SCREW, Tapping



JEEP GRAND CHEROKEE (WJ)				
SERIES	LINE	BODY	ENGINE	TRANSMISSION
H=Laredo	J = 4WD	74 = 4 Door(105.9 WB)	ER0, ERH = 4.0L, Power Tech I-6	DGK = 4 Speed Autm, 42RE
P=Limited	T = 2WD		EV0, EVA = 4.7L, Power Tech V8	DGW = 4 Speed Automatic, -44RE
	U = 4WD (RHD)		EXA, EX0 = 3.1L, 5 Cyl Turbo Diesel	DG4 = Multi Speed Automatic, -45RFE
				DGO = All Automatic

AR = Use as required - = Non illustrated part # = New this model year

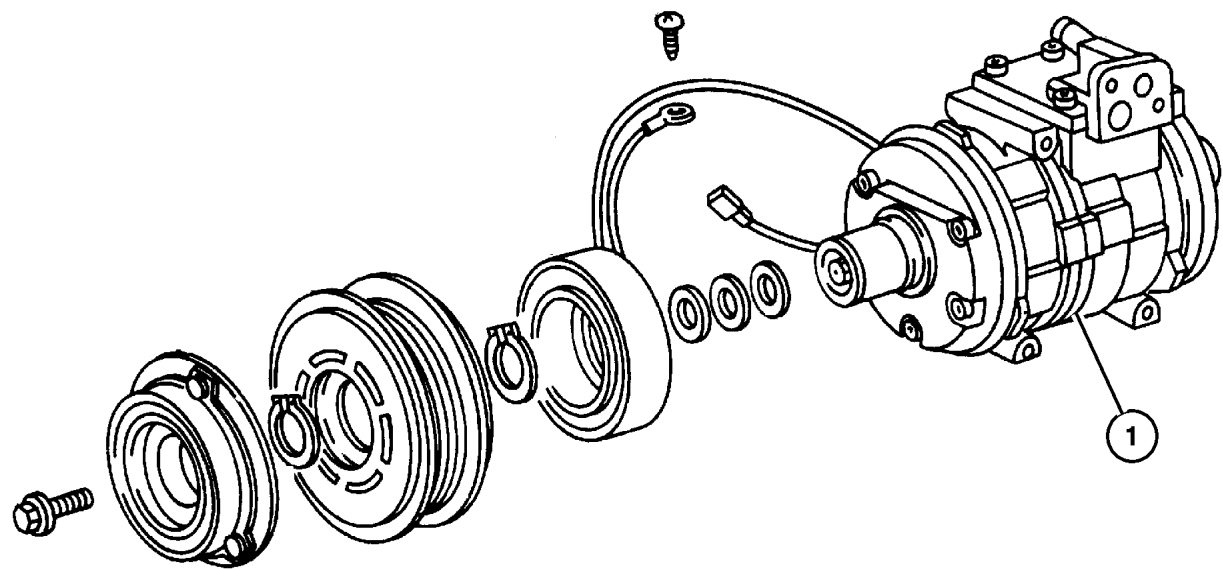
April 3, 2002

**Compressor, Air Conditioning 4.0L Engine
Figure 024-410**

ITEM	PART NUMBER	QTY	LINE	BODY	ENGINE	DESCRIPTION
------	-------------	-----	------	------	--------	-------------

Note: Sales Code ER0 = 4.0 L Engine und in the VIN number

1	55117 244AA	1			ER0	COMPRESSOR, Air Conditioning
-2	5014 413AA	1			ER0	MANIFOLD KIT, A/C Compressor
-3	4728 854	1			ER0	SEAL, Manifold To Compressor
-4	55116 423AA	1			ER0	BOLT, A/C Line Mounting
-5	5264 457	1			ER0	BOLT KIT, A/C Compressor Manifold
-6	5003 681AA	1			ER0	COIL, Air Conditioning Clutch
-7	5016 376AA	1			ER0	PULLEY, A/C Compressor
-8	5264 454	1			ER0	SNAP RING KIT, A/C Clutch
-9	8230 0102	1			ER0	LUBRICANT, Oil, 75w90
-10	5014 415AA	1			ER0	CLUTCH, A/C Compressor



JEEP GRAND CHEROKEE (WJ)

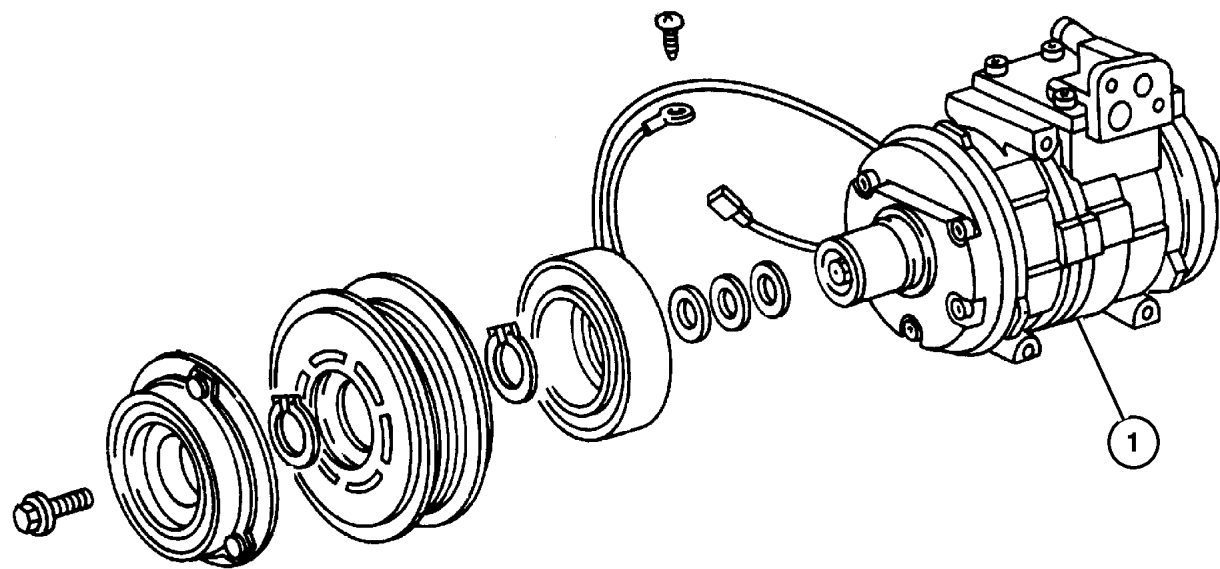
SERIES	LINE	BODY	ENGINE	TRANSMISSION
H=Laredo	J = 4WD	74 = 4 Door(105.9 WB)	ER0, ERH = 4.0L, Power Tech I-6	DGK = 4 Speed Autm, 42RE
P=Limited	T = 2WD		EV0, EVA = 4.7L, Power Tech V8	DGW = 4 Speed Automatic, -44RE
	U = 4WD (RHD)		EXA, EX0 = 3.1L, 5 Cyl Turbo Diesel	DG4 = Multi Speed Automatic, -45RFE
				DGO = All Automatic

AR = Use as required - = Non illustrated part # = New this model year

April 3, 2002

**Compressor, Air Conditioning 4.7L Engine
Figure 024-420**

ITEM	PART NUMBER	QTY	LINE	BODY	ENGINE	DESCRIPTION
Note: Sales Code EV0 = 4.7 L Engine und in the VIN number						
1	55116 906AA	1			EV0	COMPRESSOR, Air Conditioning
-2	5014 414AA	1			EV0	MANIFOLD KIT, A/C Compressor
-3	4728 854	1			EV0	SEAL, Manifold To Compressor
-4	5014 416AA	1			EV0	CLUTCH, A/C Compressor
-5	55116 423AA	1			EV0	BOLT, A/C Line Mounting
-6	5264 457	1			EV0	BOLT KIT, A/C Compressor Manifold
-7	5003 681AA	1			EV0	COIL, Air Conditioning Clutch
-8	5016 376AA	1			EV0	PULLEY, A/C Compressor
-9	5264 454	1			EV0	SNAP RING KIT, A/C Clutch
-10						LUBRICANT, Oil, 75w90
	8230 0102	1	J, T		EV0	
		1	U		EV0	



JEEP GRAND CHEROKEE (WJ)

SERIES	LINE	BODY	ENGINE	TRANSMISSION
H=Laredo	J = 4WD	74 = 4 Door(105.9 WB)	ER0, ERH = 4.0L, Power Tech I-6	DGK = 4 Speed Autm, 42RE
P=Limited	T = 2WD		EV0, EVA = 4.7L, Power Tech V8	DGW = 4 Speed Automatic, -44RE
	U = 4WD (RHD)		EXA, EX0 = 3.1L, 5 Cyl Turbo Diesel	DG4 = Multi Speed Automatic, -45RFE
				DGO = All Automatic

AR = Use as required - = Non illustrated part # = New this model year

April 3, 2002

Compressor, Mounting 4.0L Engine Figure 024-510

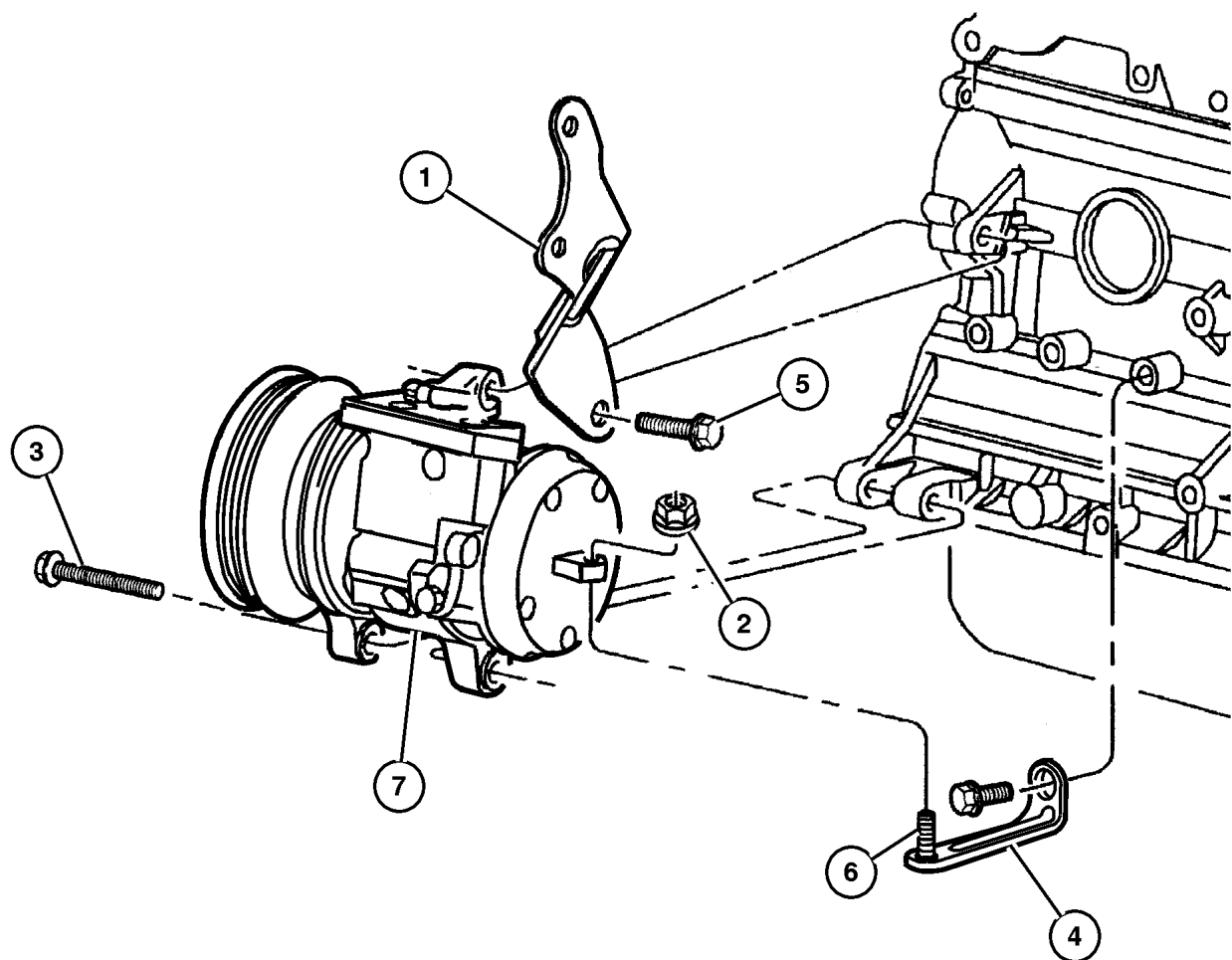
ITEM	PART NUMBER	QTY	LINE	BODY	ENGINE	DESCRIPTION
------	-------------	-----	------	------	--------	-------------

Note: Sales Code und in the VIN number

ER0 = 4.0 L Engine und in the VIN number

EVO = All 4.7L Gas Engines und in the VIN number

1	4854 157	1			ER0	BRACE, Power Steering Pump
2	6101 695	4				NUT, Hex Flange Lock, M8x1.25
3	6504 344	1			ER0	SCREW AND WASHER, Hex Head
4	53013 053AA	1			ER0	BRACE, A/C Compressor
5	6101 985	5			EVO	SCREW AND WASHER, M10x1.50x45.00
6						SCREW AND WASHER, Hex Head, (NOT SERVICED)
7	55117 244AA	1			ER0	COMPRESSOR, Air Conditioning



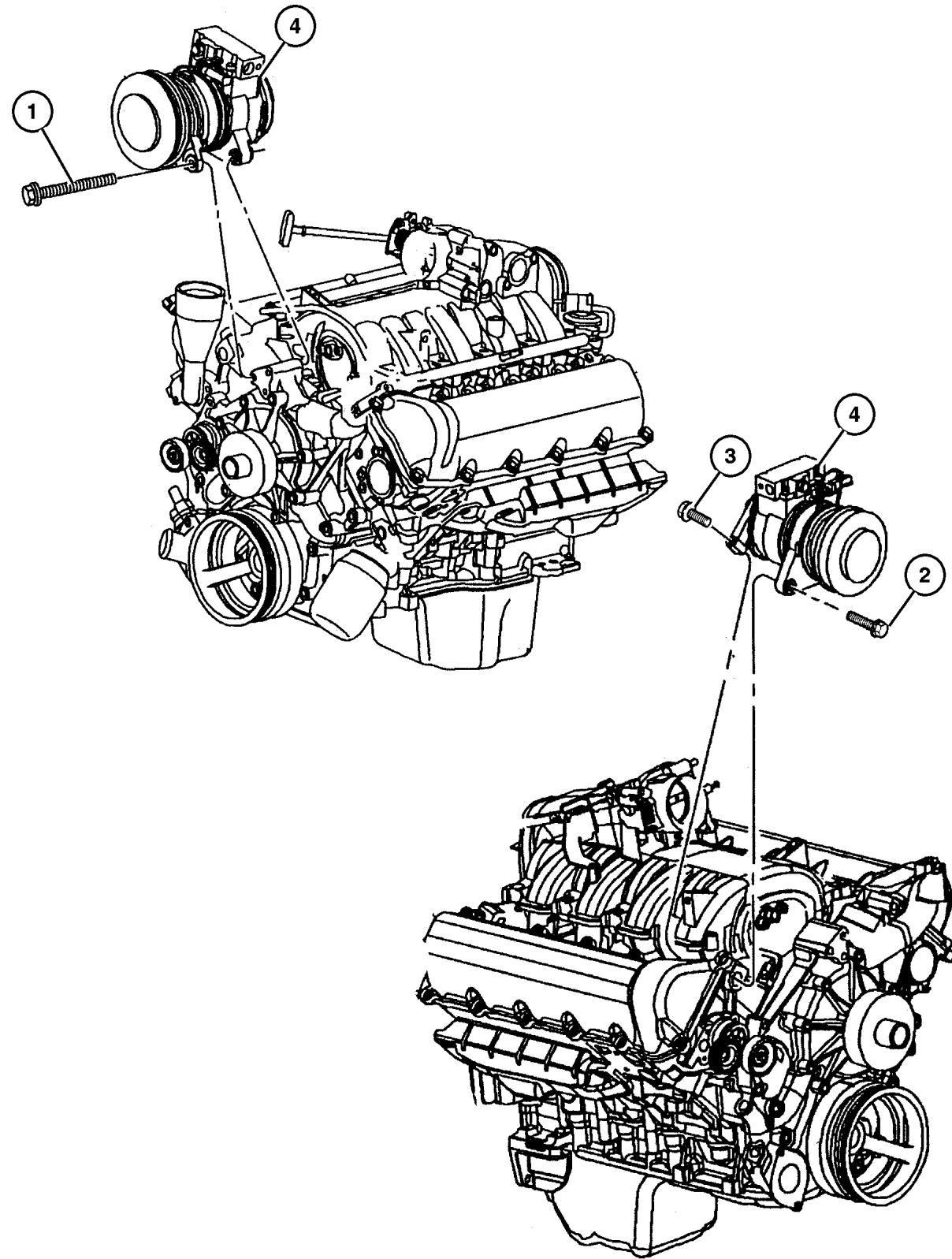
JEEP GRAND CHEROKEE (WJ)

SERIES	LINE	BODY	ENGINE	TRANSMISSION
H=Laredo	J = 4WD	74 = 4 Door(105.9 WB)	ER0, ERH = 4.0L, Power Tech I-6	DGK = 4 Speed Autm, 42RE
P=Limited	T = 2WD		EVO, EVA = 4.7L, Power Tech V8	DGW = 4 Speed Automatic, -44RE
	U = 4WD (RHD)		EXA, EX0 = 3.1L, 5 Cyl Turbo Diesel	DG4 = Multi Speed Automatic, -45RFE
				DGO = All Automatic

AR = Use as required - = Non illustrated part # = New this model year

April 3, 2002

Compressor, Mounting 4.7L Engine
Figure 024-520



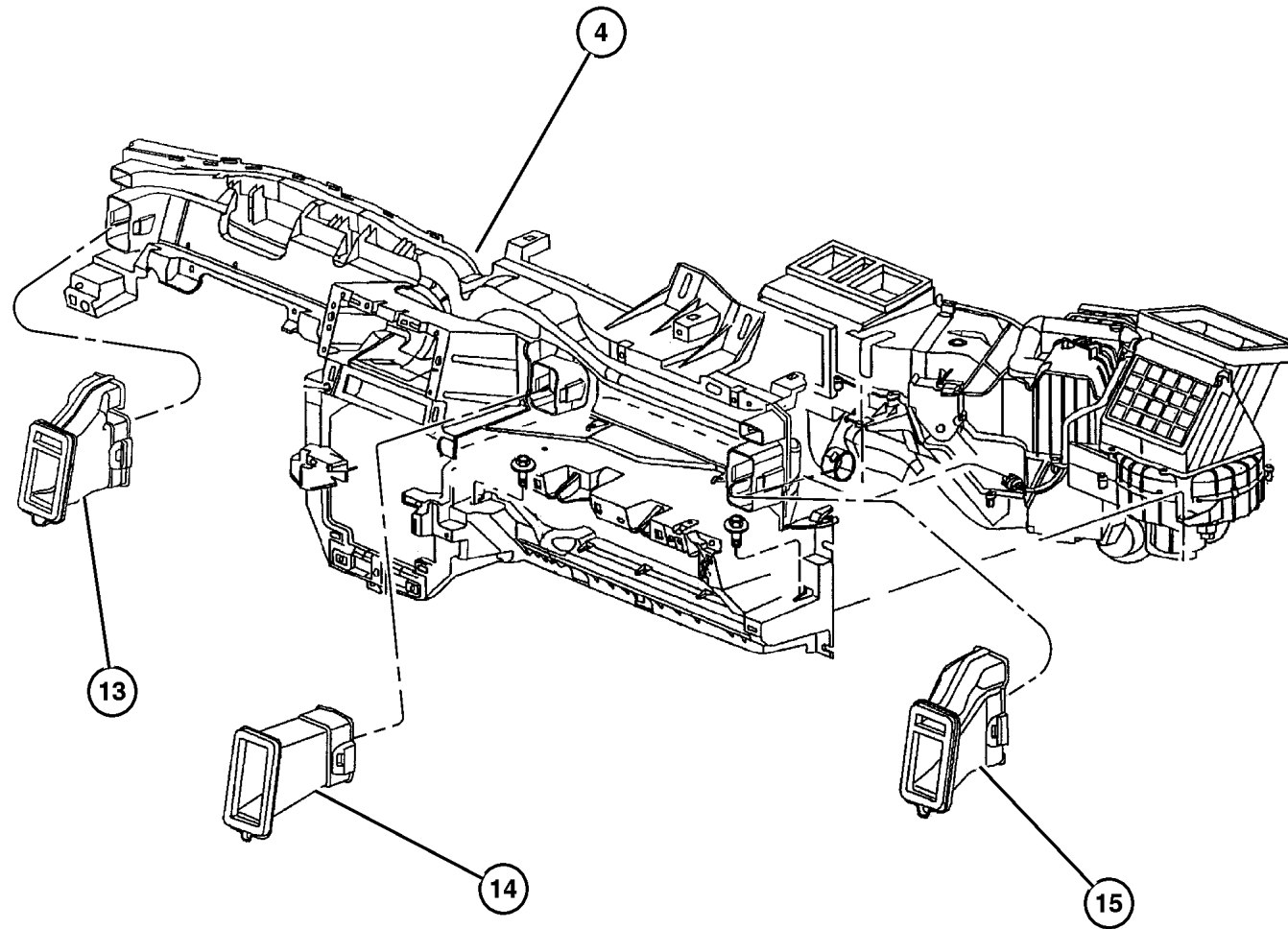
ITEM	PART NUMBER	QTY	LINE	BODY	ENGINE	DESCRIPTION
Note: Sales Code EV0 = 4.7 L Engine und in the VIN number						
1	6504 344	1			ER0	SCREW AND WASHER, Hex Head
2	6101 985	5			EV0	SCREW AND WASHER, M10x1.50x45.00
3	6102 047AA	6			EV0	SCREW, Hex Head, M8x1.25x50
4	55116 906AA	1			EV0	COMPRESSOR, Air Conditioning

JEEP GRAND CHEROKEE (WJ)				
SERIES	LINE	BODY	ENGINE	TRANSMISSION
H=Laredo	J = 4WD	74 = 4 Door(105.9 WB)	ER0, ERH = 4.0L, Power Tech I-6	DGK = 4 Speed Autm, 42RE
P=Limited	T = 2WD		EV0, EVA = 4.7L, Power Tech V8	DGW = 4 Speed Automatic, -44RE
	U = 4WD (RHD)		EXA, EX0 = 3.1L, 5 Cyl Turbo Diesel	DG4 = Multi Speed Automatic, -45RFE
				DGO = All Automatic

AR = Use as required - = Non illustrated part # = New this model year

April 3, 2002

Air Ducts and Outlets Figure 024-610



ITEM	PART NUMBER	QTY	LINE	BODY	ENGINE	DESCRIPTION
-1						BRACKET, Instrument Panel, Steering Column Support
	55116 032AB	1	J, T			
	55116 299AE	1	U			
-2						U-NUT, M6 x 1.00, M6x1.00
	6101 442	4	J, T			
		4	U			
-3	6101 780	5				SCREW, M6x1x25
4						DUCT, Instrument Panel, Structural
	55116 407AC	1	J, T			
	55116 295AC	1	U			
-5						CLIP, .453Wx.528LGx.017THK
	6034 319	2	J, T			
		2	U			
-6						CLIP, Push, .164-7.5
	6034 833	12	J, T			
		12	U			
-7						BRACKET, Instrument Panel, C/Channel Cover
	55116 373AB	1	J, T			
	55116 376AB	1	U			
-8	6101 946	8				SCREW, Tapping
-9						BRACKET, Instrument Panel, Courtesy Lamp
	55116 390AB	1	J, T			
	55116 418AA	1	U			
-10	5511 6041	1				BRACKET, Instrument Panel, Center to Floor
-11	6101 786	6				SCREW, Self Tapping, M6x1x15
-12						DUCT, Defroster
	5511 6014	1	J, T			
	55116 394AA	1	U			
13	55116 287AB	1				DUCT, Instrument Panel, Extension,Left
14						DUCT, Instrument Panel Extension,Inboard
	55116 285AA	1	J, T			
	55116 439AA	1	U			Extension,Inboard
15	55116 286AB	1				DUCT, Instrument Panel, Extension,Right

JEEP GRAND CHEROKEE (WJ)

SERIES	LINE	BODY	ENGINE	TRANSMISSION
H=Laredo	J = 4WD	74 = 4 Door(105.9 WB)	ER0, ERH = 4.0L, Power Tech I-6	DGK = 4 Speed Autm, 42RE
P=Limited	T = 2WD		EV0, EVA = 4.7L, Power Tech V8	DGW = 4 Speed Automatic, -44RE
	U = 4WD (RHD)		EXA, EX0 = 3.1L, 5 Cyl Turbo Diesel	DG4 = Multi Speed Automatic, -45RFE
				DGO = All Automatic

AR = Use as required - = Non illustrated part # = New this model year

April 3, 2002

Group – 025

Emission Systems

GROUP 25 - Emission Systems

Illustration Title

Group-Fig. No.

Emission Labels

Emission Labels 3.1 Diesel (EXA), 4.0L (ERH), 4.7L (EVA) Engine Fig. 025-110

EGR System

EGR System 3.1L (EXA) Diesel Engine Fig. 025-220

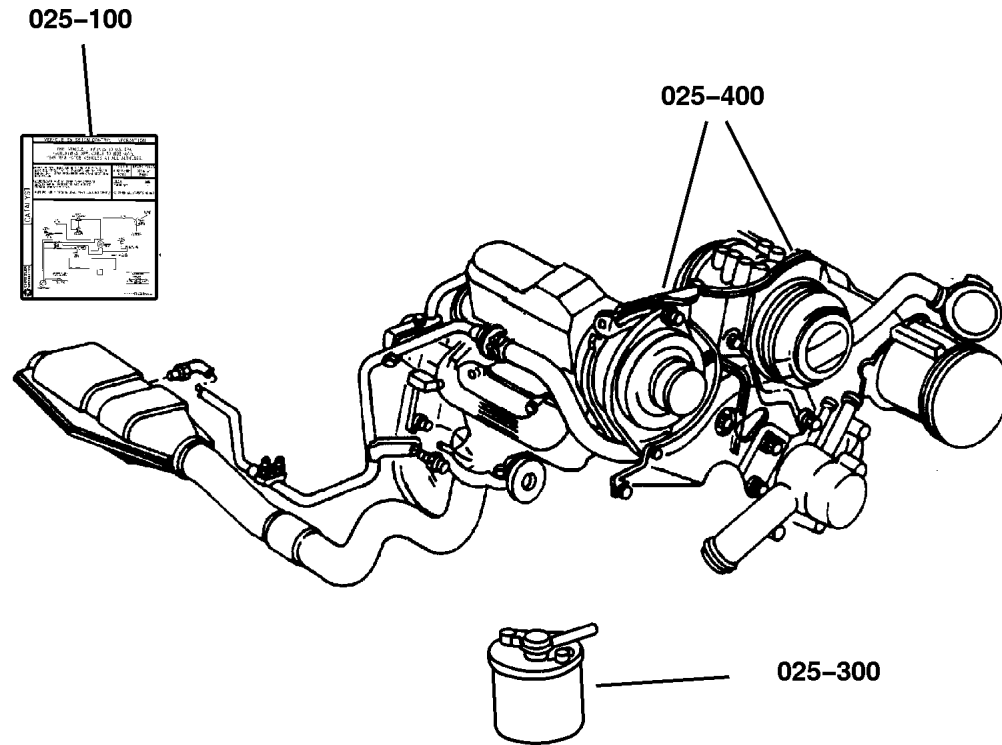
Vacuum Canister

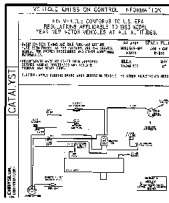
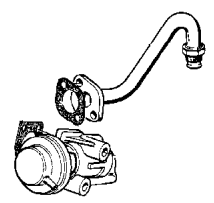
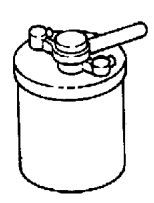
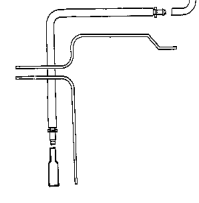
Vacuum Canister 4.0L (ERH), 4.7L (EVA) Engines Fig. 025-310

Emission Harness

Emission Control Vacuum Harness 4.0L (ERH), 4.7L (EVA) Engine Fig. 025-410

Leak Detection Pump Fig. 025-430



<p>025-100 Emission Labels</p> 	<p>025-200 EGR System</p> 	<p>025-300 Vacuum Canister</p> 	<p>025-400 Emission Harness</p> 
---	--	---	--

**Emission Labels 3.1 Diesel (EXA), 4.0L (ERH), 4.7L (EVA) Engine
Figure 025-110**

1

VEHICLE EMISSION CONTROL INFORMATION

THIS VEHICLE CONFORMS TO U.S. EPA REGULATIONS APPLICABLE TO 1994 MODEL YEAR NEW MOTOR VEHICLES AT ALL ALTITUDES.

*BASIC IGNITION TIMING AND IDLE FUEL/AIR MIXTURE HAVE BEEN PRESET AT THE FACTORY. SEE THE SERVICE MANUAL FOR PROPER PROCEDURES AND OTHER ADDITIONAL INFORMATION. *ADJUSTMENTS MADE BY OTHER THAN APPROVED SERVICE MANUAL PROCEDURES MAY VIOLATE FEDERAL AND STATE LAWS. CAUTION: APPLY PARKING BRAKE WHEN SERVICING VEHICLE	2.2 LITER MCR2.5V5HHP7 MCRVB	SPARK PLUGS .035 in. GAP RN12YC
	IDLE * TIMING BTC	MAN 12°
NO OTHER ADJUSTMENTS NEEDED		

ITEM	PART NUMBER	QTY	LINE	BODY	ENGINE	TRANS	DESCRIPTION
------	-------------	-----	------	------	--------	-------	-------------

NOTE: EX0=All 3.1L Engines ER0=All 4.0L Engines EV0=All 4.7L Engines NAA=Federal NAE=California NAC=Europe
NBN=Northeastern States DHP=Selet-Trac DHF=Quadra-Trac

1							LABEL, Emission
	53014 004AA	1	J		EX0		Australia
	#53013 423AA	1	J		ER0		Federal, w/Quadra-Trac
	#53013 424AA	1	T		ER0		Canada
	#53013 426AA	1	J		ER0		Canada, w/Quadra-Trac
	#53013 430AA	1			ER0		Europe II, Unleaded Fuel
	#53013 431AA	1	J		ER0		Federal, w/Select-Trac
		1	T		ER0		Federal
	#53013 432AA	1	J		ER0		Canada, w/Select-Trac
	#53013 433AA	1			ER0		California
		1			ER0		Northeastern States
	#53013 435AA	1	T		EV0		Canada
	#53013 436AA	1	J		EV0		Federal, w/Select-Trac
		1	T		EV0		Federal
	#53013 437AA	1			EV0		Canada, w/Select-Trac, (H) Series
	#53013 439AA	1			EV0		Canada, w/Select-Trac, (P) Series
	#53013 440AA	1	J		EV0		Federal, w/Quadra-Trac
	#53013 441AA	1	J		EV0		Canada, w/Quadra-Trac, (H) Series
	#53013 443AA	1	J		EV0		Canada, w/Quadra-Trac, (P) Series
	#53013 444AA	1			EV0		California
		1			EV0		Northeastern States
	#53013 445AB	1			EV0		Europe III
	#53013 459AA	1			ER0		Europe III
	#53013 460AA	1			EV0		Europe II, Unleaded Fuel

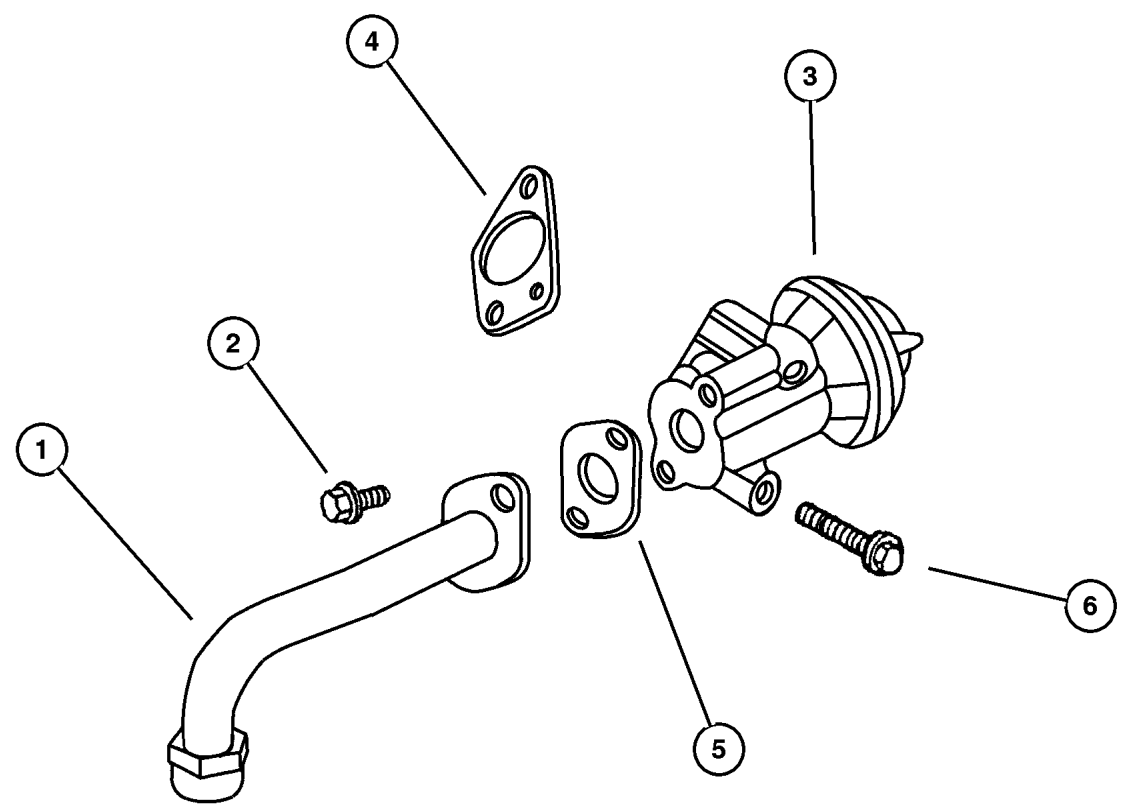
JEEP GRAND CHEROKEE (WJ)				
SERIES	LINE	BODY	ENGINE	TRANSMISSION
H=Laredo	J = 4WD	74 = 4 Door(105.9 WB)	ER0, ERH = 4.0L, Power Tech I-6	DGK = 4 Speed Autm, 42RE
P=Limited	T = 2WD		EV0, EVA = 4.7L, Power Tech V8	DGW = 4 Speed Automatic, -44RE
	U = 4WD (RHD)		EXA, EX0 = 3.1L, 5 Cyl Turbo Diesel	DG4 = Multi Speed Automatic, -45RFE
				DGO = All Automatic

AR = Use as required - = Non illustrated part # = New this model year

April 3, 2002

**EGR System 3.1L (EXA) Diesel Engine
Figure 025-220**

ITEM	PART NUMBER	QTY	LINE	BODY	ENGINE	TRANS	DESCRIPTION
NOTE: EX0=All 3.1L Engines DG0=All Automatic Transmissions ac DHF=Quadra-Trac							
1	5015 069AA	1			EX0	DG0	TUBE, EGR
2	4864 537	1			EX0	DG0	BOLT, 8Mx20
3	4882 409	1			EX0	DG0	VALVE, EGR
4	4778 965	1			EX0	DG0	GASKET, EGR Tube
5	4720 208	1			EX0	DG0	GASKET, EGR Tube Flange
6	5015 070AA	2			EX0	DG0	BOLT



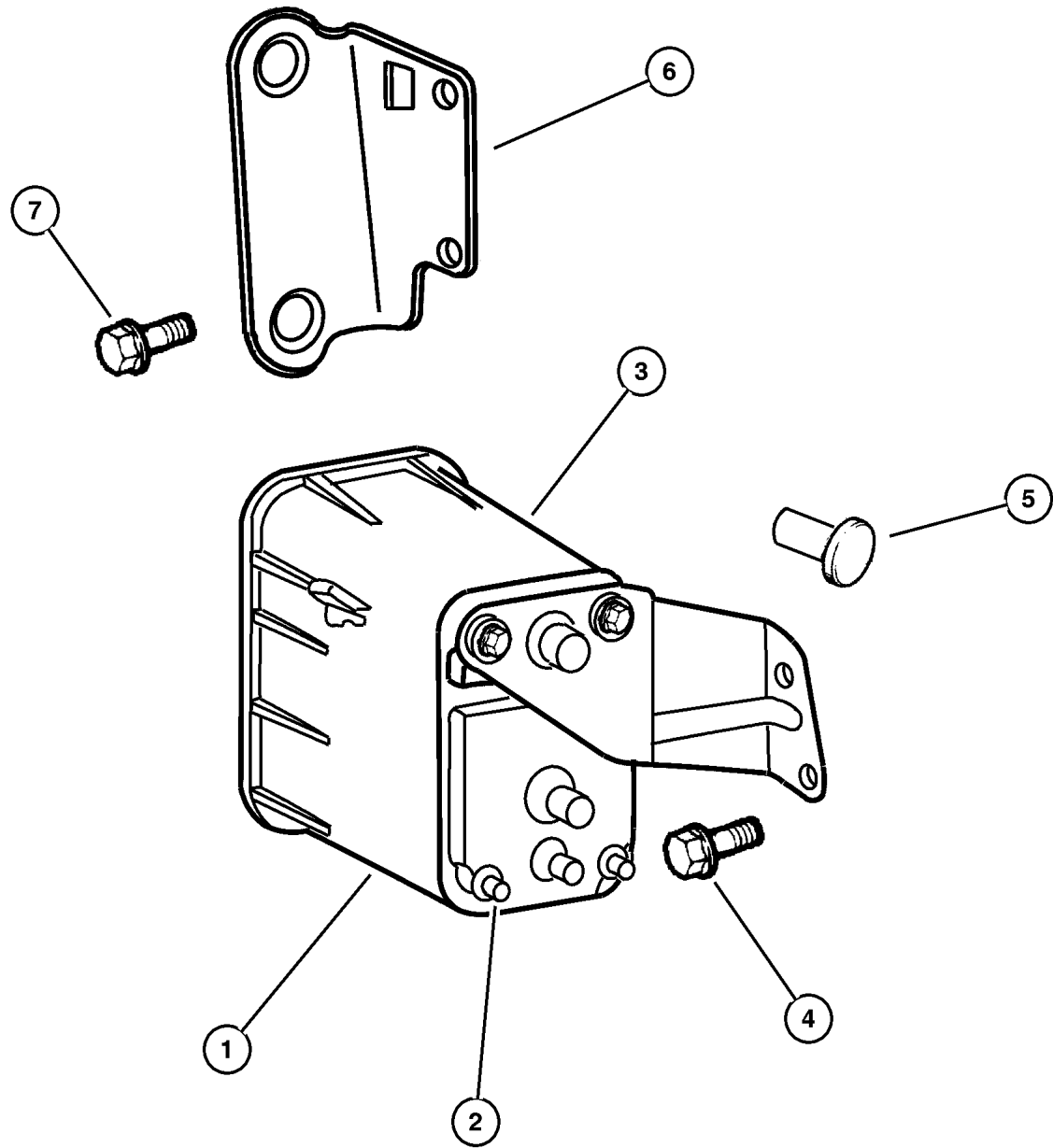
JEEP GRAND CHEROKEE (WJ)				
SERIES	LINE	BODY	ENGINE	TRANSMISSION
H=Laredo	J = 4WD	74 = 4 Door(105.9 WB)	ER0, ERH = 4.0L, Power Tech I-6	DGK = 4 Speed Autm, 42RE
P=Limited	T = 2WD		EV0, EVA = 4.7L, Power Tech V8	DGW = 4 Speed Automatic, -44RE
	U = 4WD (RHD)		EXA, EX0 = 3.1L, 5 Cyl Turbo Diesel	DG4 = Multi Speed Automatic, -45RFE
				DGO = All Automatic

AR = Use as required - = Non illustrated part # = New this model year

April 3, 2002

Vacuum Canister 4.0L (ERH), 4.7L (EVA) Engines
Figure 025-310

ITEM	PART NUMBER	QTY	LINE	BODY	ENGINE	TRANS	DESCRIPTION
NOTE: ER0=All 4.0L Engines EV0=All 4.7L Engines ac DHF=Quadra-Trac							
1	4854 208AE	1	J, T		ER0, EVO		CANISTER, Vapor
2	6503 951	4	J, T		EM0, ER0,	EVO	STUD, M6X1.00X.250-14X30.00
3							NUT, M14, (NOT SERVICED)
4							SCREW, M6.3x1.81x20, (NOT SERVICED)
5	53013 035AA	1			ER0, EVO		CAP, Vapor Canister
6	4854 159	1	J, T		ER0, EVO		BRACKET, Vapor Canister
7	6505 815AA	2	J, T		ER0, EVO		SCREW



JEEP GRAND CHEROKEE (WJ)

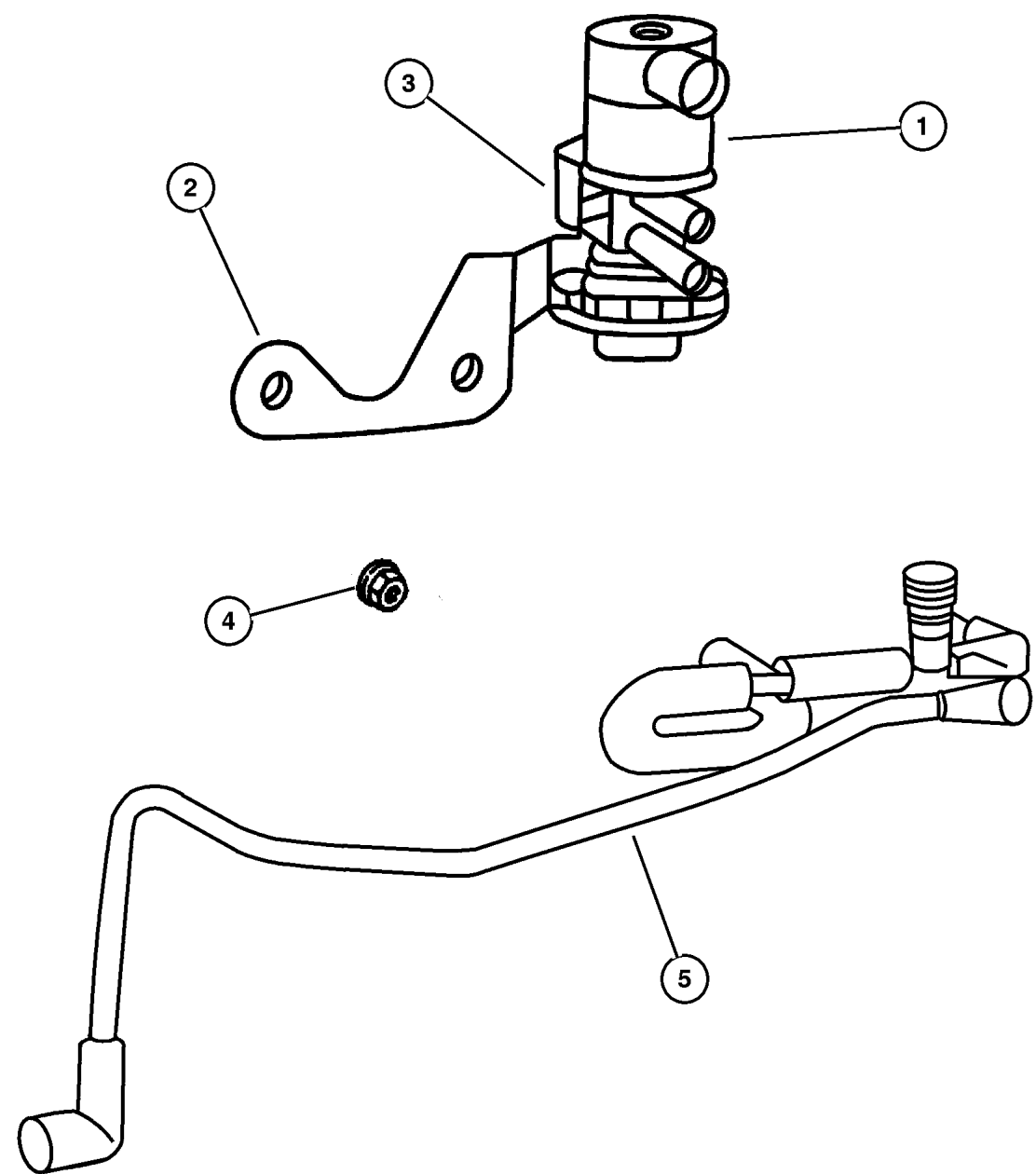
SERIES	LINE	BODY	ENGINE	TRANSMISSION
H=Laredo	J = 4WD	74 = 4 Door(105.9 WB)	ER0, ERH = 4.0L, Power Tech I-6	DGK = 4 Speed Autm, 42RE
P=Limited	T = 2WD		EVO, EVA = 4.7L, Power Tech V8	DGW = 4 Speed Automatic, -44RE
	U = 4WD (RHD)		EXA, EX0 = 3.1L, 5 Cyl Turbo Diesel	DG4 = Multi Speed Automatic, -45RFE
				DGO = All Automatic

AR = Use as required - = Non illustrated part # = New this model year

April 3, 2002

**Emission Control Vacuum Harness 4.0L (ERH), 4.7L (EVA) Engine
Figure 025-410**

ITEM	PART NUMBER	QTY	LINE	BODY	ENGINE	TRANS	DESCRIPTION
NOTE: ER0=All 4.0L Engines EV0=All 4.7L Engines ac DHF=Quadra-Trac							
1	4669 475AB	1			ER0, EV0		SOLENOID, Duty Cycle Purge
2	4854 127AB	1	J, T		ER0, EV0		BRACKET, Duty Cycle Purge Solenoid
3	5303 0987	1			ER0, EV0		BUSHING, Isolator
4	6500 284	4					NUT, Hex, M6x1.00
5							HARNESS, Vapor Purge
	4854 100	1	J, T		ER0		
	4854 105	1	J, T		EV0		

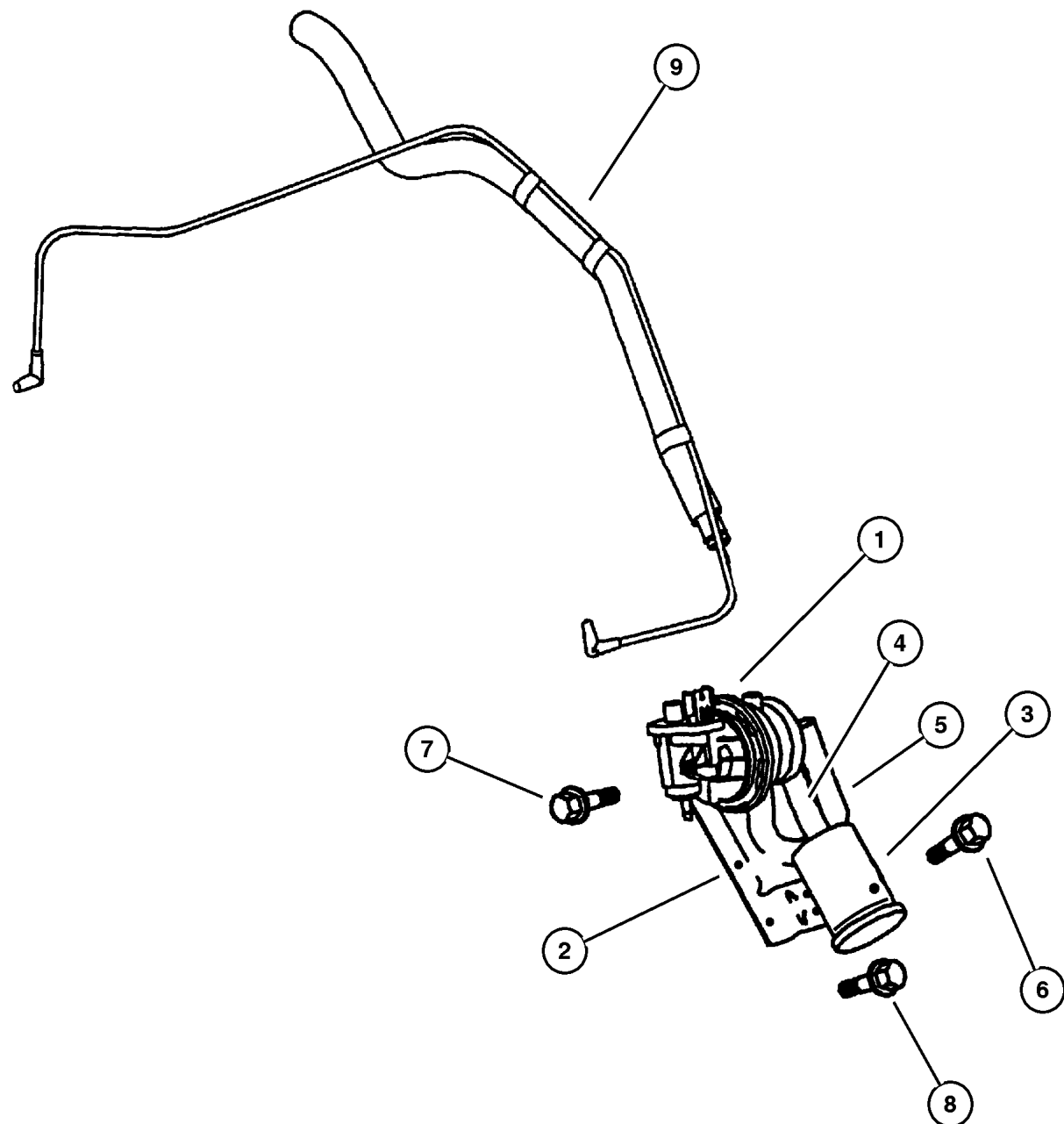


JEEP GRAND CHEROKEE (WJ)				
SERIES	LINE	BODY	ENGINE	TRANSMISSION
H=Laredo	J = 4WD	74 = 4 Door(105.9 WB)	ER0, ERH = 4.0L, Power Tech I-6	DGK = 4 Speed Autm, 42RE
P=Limited	T = 2WD		EV0, EVA = 4.7L, Power Tech V8	DGW = 4 Speed Automatic, -44RE
	U = 4WD (RHD)		EXA, EX0 = 3.1L, 5 Cyl Turbo Diesel	DG4 = Multi Speed Automatic, -45RFE
				DGO = All Automatic

AR = Use as required - = Non illustrated part # = New this model year

April 3, 2002

**Leak Detection Pump
Figure 025-430**



ITEM	PART NUMBER	QTY	LINE	BODY	ENGINE	TRANS	DESCRIPTION
NOTE: ER0=All 4.0L Engines EV0=All 4.7L Engines ac DHF=Quadra-Trac							
1	53013 003AA	1			ER0 EVO		PUMP, Leak Detection
2	4854 128AB	1			ER0 EVO		BRACKET, Leak Detection Pump
3	4612 901	1			ER0 EVO		FILTER, Fuel Vapor Vent
4	53013 004AA	1			ER0 EVO		HOSE, Leak Detection Pump
5	53013 168AA	1			ER0 EVO		HOSE, Leak Detection Pump to Canister
6							SCREW, Hex Flange Head, M4.8x1.59x15.74, (NOT SERVICED)
7	6035 482	3			ER0 EVO		SCREW, Tapping, .19-16x.375
8							SCREW, Hex Flange Head, M4.8x1.59x15.74, (NOT SERVICED)
9	4854 120	1	J, T		EVO		HARNESS, Leak Detection Pump
	5303 0917	1	J, T		ER0		

JEEP GRAND CHEROKEE (WJ)

SERIES	LINE	BODY	ENGINE	TRANSMISSION
H=Laredo	J = 4WD	74 = 4 Door(105.9 WB)	ER0, ERH = 4.0L, Power Tech I-6	DGK = 4 Speed Autm, 42RE
P=Limited	T = 2WD		EV0, EVA = 4.7L, Power Tech V8	DGW = 4 Speed Automatic, -44RE
	U = 4WD (RHD)		EXA, EX0 = 3.1L, 5 Cyl Turbo Diesel	DG4 = Multi Speed Automatic, -45RFE
				DGO = All Automatic

AR = Use as required - = Non illustrated part # = New this model year

April 3, 2002

Group – DWJ

Doors and Related Parts

GROUP DWJ - Doors and Related Parts

Illustration Title

Group-Fig. No.

Front Door

Door, Front Shell and Hinges	Fig. DWJ-110
Door, Front Glass and Regulators	Fig. DWJ-120
Door, Front Lock and Controls	Fig. DWJ-130

Rear Door

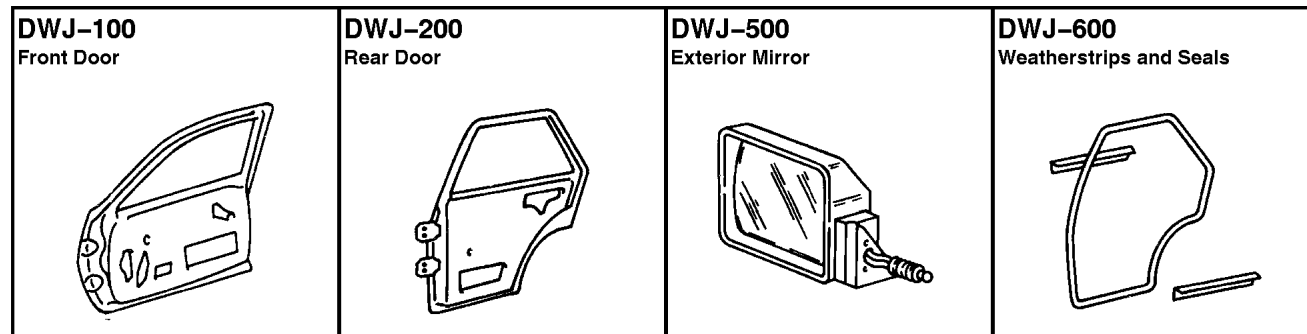
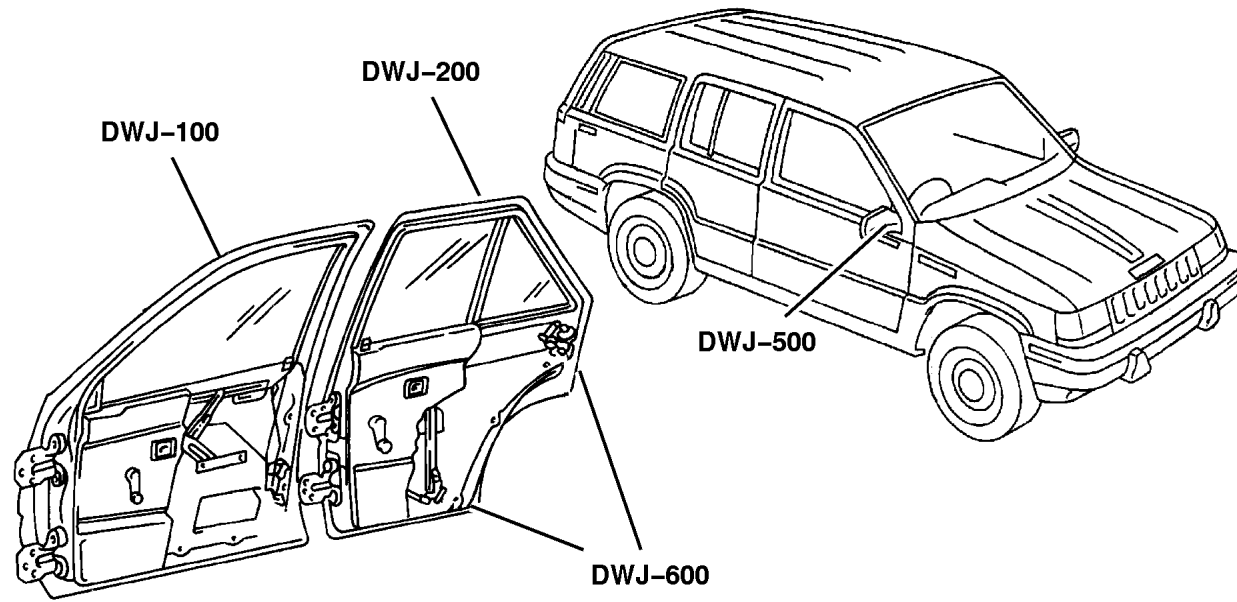
Door, Rear Shell and Hinges	Fig. DWJ-210
Door, Rear Glass and Regulators	Fig. DWJ-220
Door, Rear Lock and Controls	Fig. DWJ-230

Exterior Mirror

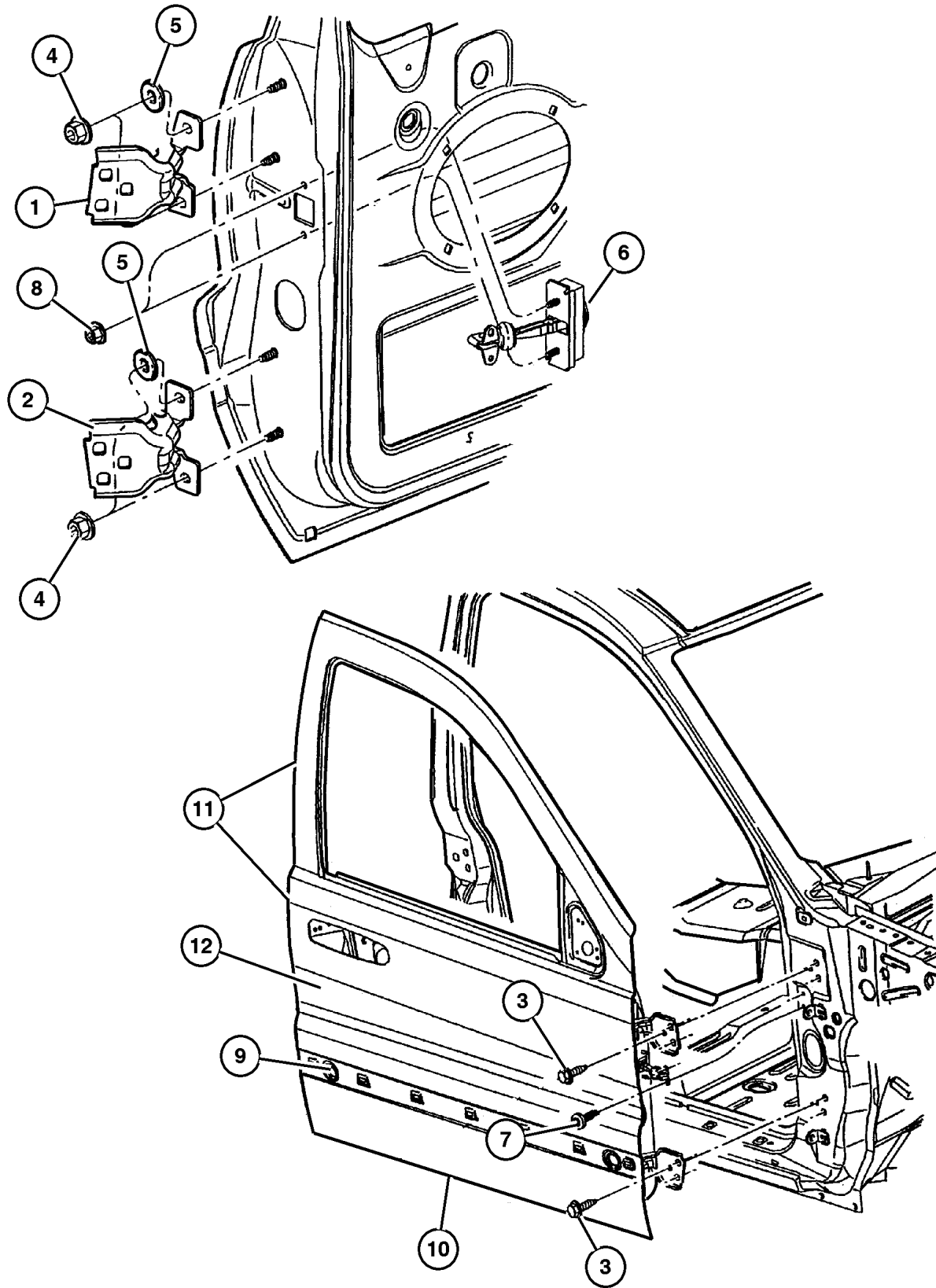
Mirrors, Exterior	Fig. DWJ-510
-------------------------	--------------

Weatherstrips and Seals

Door, Front Weatherstrips and Seals	Fig. DWJ-610
Door, Rear Weatherstrips and Seals	Fig. DWJ-620
Door, Rear Tail Gate Weatherstrips and Seals	Fig. DWJ-630



Door, Front Shell and Hinges
Figure DWJ-110



ITEM	PART NUMBER	QTY	LINE	SERIES	BODY	DESCRIPTION
1						HINGE, Door Half, Upper
	55136 480AC	2				Right
	55136 481AC	2				Left
2						HINGE, Door Half, Lower
	55136 480AC	2				Left
	55136 481AC	2				Right
3	6503 328	8				SCREW, Hex Head, M8x1.25x30
4	6101 809	2				NUT AND WASHER, Hex, M8x1.25
5	#55136 971AB	4				WASHER, Flat
6						CHECK, Front Door
	55135 590AC	1				Right
	55135 591AC	1				Left
7						SCREW, Torx Round Head, M6-1.0x20.0, (NOT SERVICED)
8	6503 504	2				NUT AND WASHER, Hex, M6x1
9	55257 380AA	12				PLUG
10	2860 332	4				PLUG, Anti-Rattle
11						DOOR, Front
	55135 920AC	1				Right
	55135 921AC	1				Left
12						PANEL, Front Door Outer Repair
	55135 922AB	1				Right
	55135 923AB	1				Left
-13	6505 201AA	2		P		NUT, M5x.080x26.41

JEEP GRAND CHEROKEE (WJ)

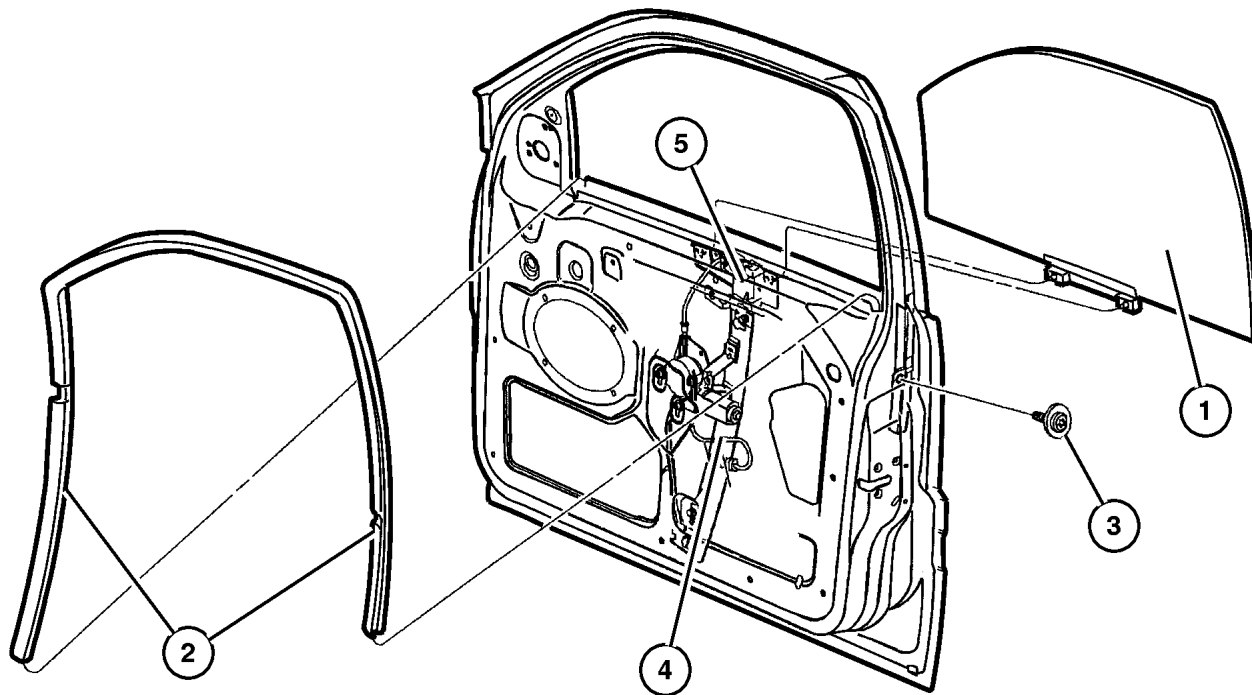
SERIES	LINE	BODY	ENGINE	TRANSMISSION
H=Laredo	J = 4WD	74 = 4 Door(105.9 WB)	ER0, ERH = 4.0L, Power Tech I-6	DGK = 4 Speed Autm, 42RE
P=Limited	T = 2WD		EV0, EVA = 4.7L, Power Tech V8	DGW = 4 Speed Automatic, -44RE
	U = 4WD (RHD)		EXA, EX0 = 3.1L, 5 Cyl Turbo Diesel	DG4 = Multi Speed Automatic, -45RFE
				DGO = All Automatic

AR = Use as required - = Non illustrated part # = New this model year

April 3, 2002

Door, Front Glass and Regulators
Figure DWJ-120

ITEM	PART NUMBER	QTY	LINE	SERIES	BODY	DESCRIPTION
1						GLASS, Front Door
	55136 002AB	1				Right
	55136 003AB	1				Left
2						SEAL, Front Door Glass
	55136 024AD	1				Right
	55136 025AD	1				Left
3	6504 987AA	2				SCREW AND WASHER, Tapping, M6-1.0x20.0
4						REGULATOR, Front Door Window
	5507 6466	1				Up to 3/10/00, Right
	5507 6467	1				Up to 3/10/00, Left
	#55363 286AA	1				After 3/10/00, Right
	#55363 287AA	1				After 3/10/00, Left
5						SCREW, M6X1.00X16.00, (NOT SERVICED)
-6						CHANNEL, Front Door Glass Lower
	5513 6016	1				Front
	5513 6017	1				Rear
-7	5086 563AA	1				CLIP, Regulator



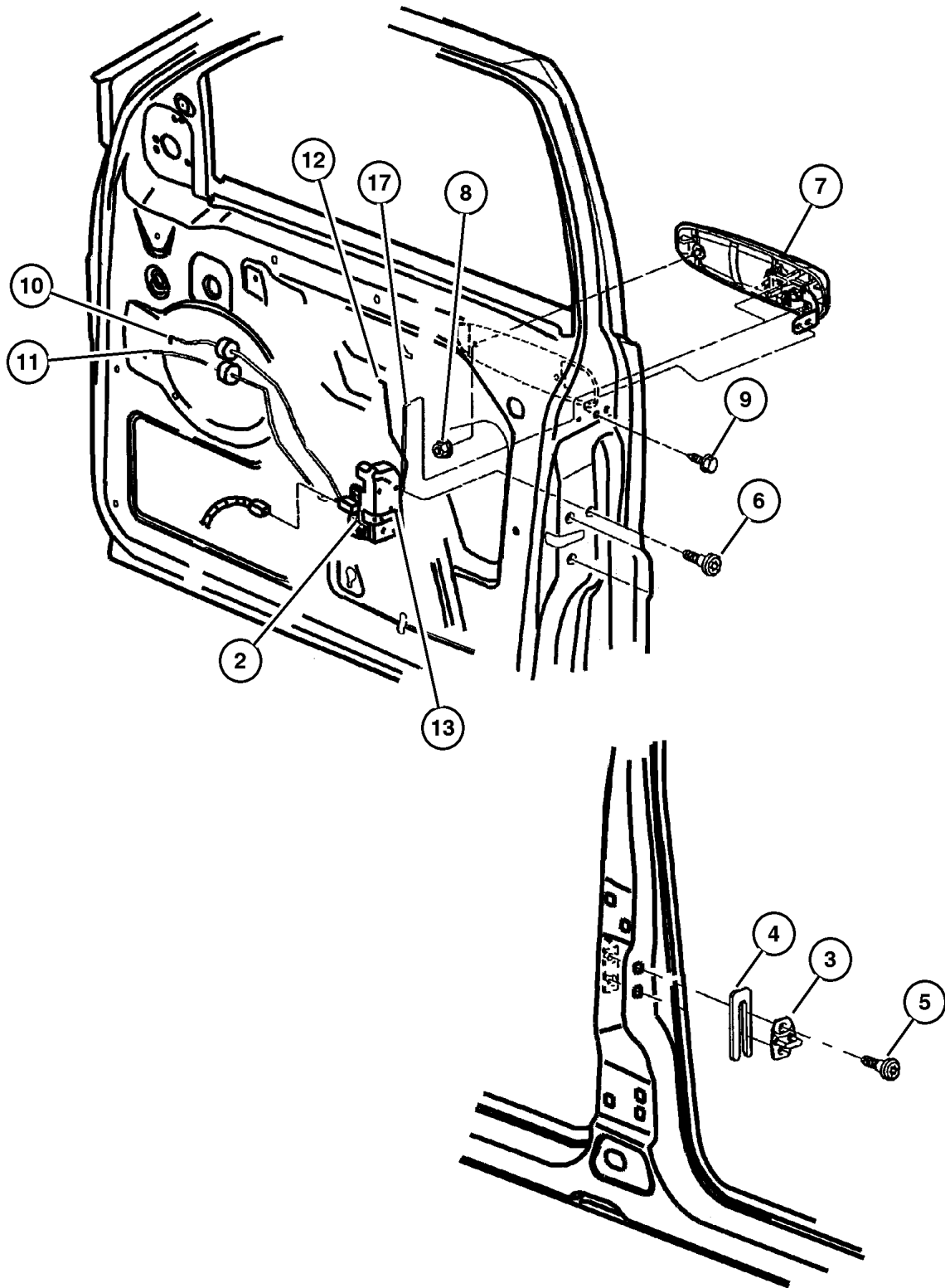
JEEP GRAND CHEROKEE (WJ)

SERIES	LINE	BODY	ENGINE	TRANSMISSION
H=Laredo	J = 4WD	74 = 4 Door(105.9 WB)	ER0, ERH = 4.0L, Power Tech I-6	DGK = 4 Speed Autm, 42RE
P=Limited	T = 2WD		EVO, EVA = 4.7L, Power Tech V8	DGW = 4 Speed Automatic, -44RE
	U = 4WD (RHD)		EXA, EX0 = 3.1L, 5 Cyl Turbo Diesel	DG4 = Multi Speed Automatic, -45RFE
				DGO = All Automatic

AR = Use as required - = Non illustrated part # = New this model year

April 3, 2002

Door, Front Lock and Controls
Figure DWJ-130



ITEM	PART NUMBER	QTY	LINE	SERIES	BODY	DESCRIPTION
-1						HANDLE, Door Interior
	5FX72 1AZAB	1	J, T	H		Agate, Export, Right
		1	U	H		Agate, Export, Right
	5FX72 1K5AB	1	J, T	H		Tan, Export, Right
		1	U	H		Tan, Export, Right
	5FX72 1L5AB	1		H		Taupe, Right
	5FX74 1K5AC	1		P		Tan, Right
	#5FX74 1AZAD	1		P		Agate, Right
		1		H		Agate, Right
	5FX73 1L5AB	1		H		Taupe, Left
	5FX73 1K5AB	1		H		Tan, Left
	5FX73 1AZAB	1		H		Agate, Left
	5FX75 1AZAC	1		H		Agate, with Chrome, Left
2						LATCH, Front Door
	55135 606AB	1	J, T			w/o Cylinder Lock, Right
	55136 347AB	1	J, T			w/Cylinder Lock, Left
	55136 346AB	1	U			w/Cylinder Lock, Right
	55135 607AB	1	U			w/o Cylinder Lock, Left
3	4780 259	2				STRIKER, Door
4	4520 289	AR				SPACER, Door Latch Striker
5	6504 573	4				SCREW, Oval Head, SCREW
6	6033 876	6				SCREW, Tapping, M6.3x1.8x38.1
7						HANDLE, Exterior Door
	55135 636AB	1	J, T	H		Black, Laredo, w/o Cylinder, Right
	55136 351AB	1	J, T	H		Black, Laredo, w/Cylinder, Left
	55136 350AB	1	U	H		Black, Laredo,, w/o Cylinder, Right
	55135 637AB	1	U	H		Black, Laredo, w/Cylinder, Left
	5GG26 DX8AA	1	U	P		Black Clear Coat, Limited (Export), Right
	5GG26 GW7AA	1	U	P		Bright White, Limited (Export), Right
	5GG26 PR4AA	1	U	P		Flame Red, Limited (Export), Right
	5GG26 TTKAA	1	U	P		Taupe Frost, Limited (Export), Right
	5GG26 VTEAA	1	U	P		Champagne Pearl Metallic, Limited (Export), Right
	5GG26 WB7AA	1	U	P		Patriot Blue, Limited (Export), Right
	5GG26 WPTAA	1	U	P		Everglade Pearl Coat, Limited (Export), Right
	5GG26 WURAA	1	U	P		Sienna Tinted Pearl, Limited (Export), Right
	5GG26 XGRAA	1	U	P		Shale Green, Limited (Export), Right
	5GG26 XSHAA	1	U	P		Silverstone, Limited (Export), Right
	5GG27 DX8AA	1	J, T	P		Black Clear Coat, Limited, w/Cylinder, Left
	5GG27 GW7AA	1	J, T	P		Bright White[PW3], Limited, w/Cylinder, Left
	5GG27 PR4AA	1	J, T	P		Flame Red, Limited, w/Cylinder, Left
	5GG27 TTKAA	1	J, T	P		Taupe Frost, Limited, w/Cylinder, Left
	5GG27 VTEAA	1	J, T	P		Champagne Pearl Metallic, Limited, w/Cylinder, Left

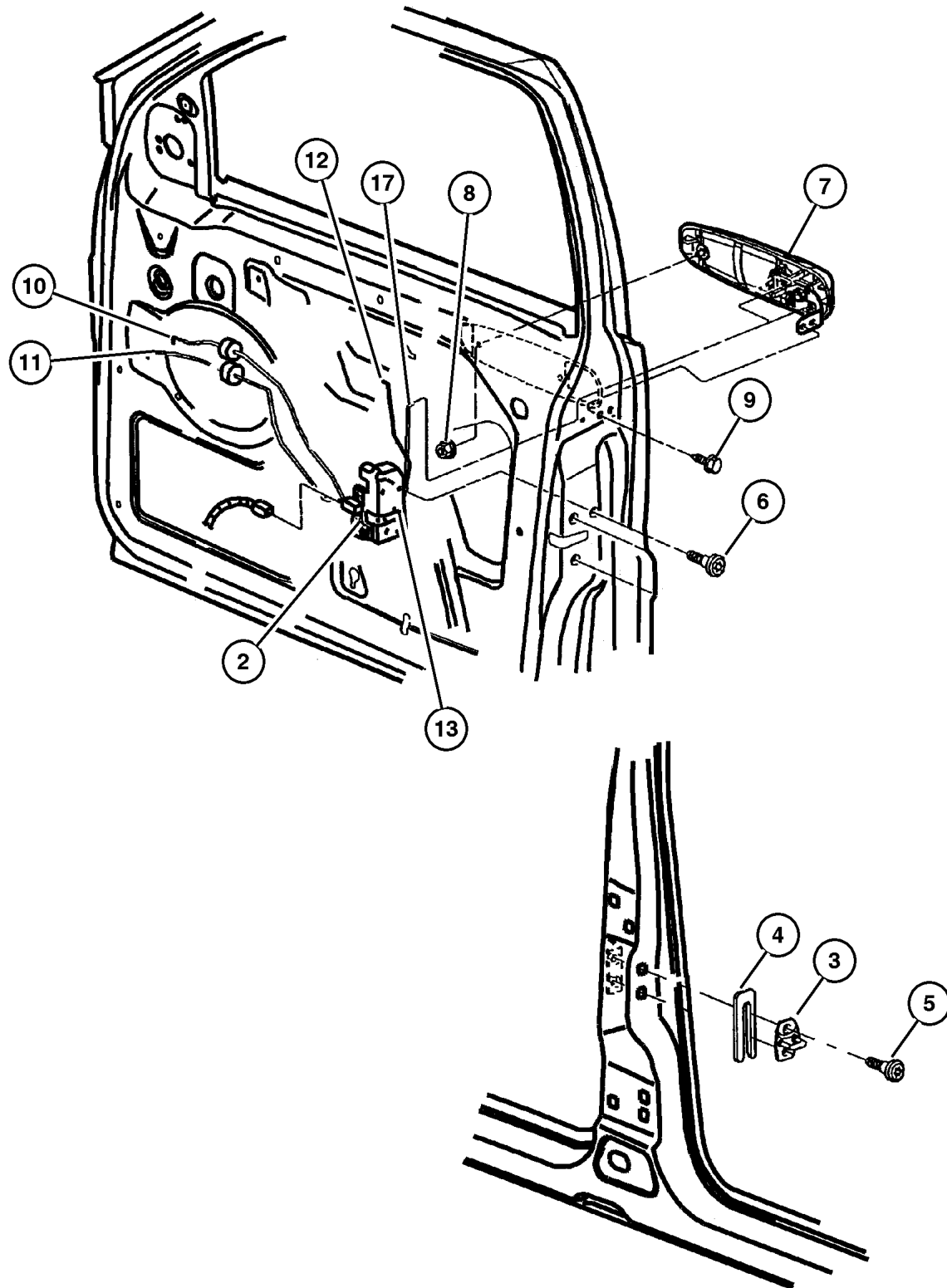
JEEP GRAND CHEROKEE (WJ)

SERIES	LINE	BODY	ENGINE	TRANSMISSION
H=Laredo	J = 4WD	74 = 4 Door(105.9 WB)	ER0, ERH = 4.0L, Power Tech I-6	DGK = 4 Speed Autm, 42RE
P=Limited	T = 2WD		EVO, EVA = 4.7L, Power Tech V8	DGW = 4 Speed Automatic,
	U = 4WD (RHD)		EXA, EX0 = 3.1L, 5 Cyl Turbo Diesel	-44RE
				DG4 = Multi Speed Automatic,
				-45RFE
				DGO = All Automatic

AR = Use as required - = Non illustrated part # = New this model year

April 3, 2002

Door, Front Lock and Controls
Figure DWJ-130



ITEM	PART NUMBER	QTY	LINE	SERIES	BODY	DESCRIPTION
	5GG27 WB7AA	1	J, T	P		Patriot Blue, Limited, w/Cylinder, Left
	5GG27 WPTAA	1	J, T	P		Everglade Pearl Coat, Limited, w/Cylinder, Left
	5GG27 SW1AA	1	J, T	P		Bright White[PW1], Limited, w/Cylinder, Left
	5GG27 WURAA	1	J, T	P		Sienna Tinted Pearl, Limited, w/Cylinder, Left
	5GG27 XGRAA	1	J, T	P		Shale Green, Limited, w/Cylinder, Left
	5GG27 XSHAA	1	J, T	P		Silverstone, Limited, w/Cylinder, Left
	QR38 DX8AB	1	J, T	P		Black Clear Coat, Limited , w/o Cylinder, Right
	QR38 GW7AB	1	J, T	P		Bright White, Limited, W7 , w/o Cylinder, Right
	QR38 SW1AB	1	J, T	P		Stone White, Limited, W1 , w/o Cylinder, Right
	QR38 PR4AB	1	J, T	P		Flame Red, Limited , w/o Cylinder, Right
	QR38 TTKAB	1	J, T	P		Taupe Frost, Limited , w/o Cylinder, Right
	QR38 VTEAB	1	J, T	P		Champagne Pearl Metallic, Limited, TE , w/o Cylinder, Right
	QR38 WTHAB	1	J, T	P		Champagne Pearl Metallic, Limited, TH , w/o Cylinder, Right
	QR38 WB7AB	1	J, T	P		Patriot Blue, Limited, B7 , w/o Cylinder, Right
	QR38 WBTAB	1	J, T	P		Patriot Blue, Limited, BT , w/o Cylinder, Right
	QR38 WPTAB	1	J, T	P		Everglade Pearl Coat, Limited , w/o Cylinder, Right
	QR38 WULAB	1	J, T	P		Sienna Pearl Coat, Limited, UL , w/o Cylinder, Right
	QR38 WURAB	1	J, T	P		Sienna Pearl Coat, Limited, UR , w/o Cylinder, Right
	QR38 XGRAB	1	J, T	P		Shale Green, Limited , w/o Cylinder, Right
	QR38 XS5AB	1	J, T	P		Silverstone, Limited, S5, w/o Cylinder, Right
	QR38 XSHAB	1	J, T	P		Silverstone, Limited, SH, w/o Cylinder, Right
	QR39 DX8AB	1	U	P		Black Clear Coat, Limited , w/o Cylinder, Left
	QR39 GW7AB	1	U	P		Bright White, Limited, W7 , w/o Cylinder, Left
	QR39 PR4AB	1	U	P		Flame Red, Limited , w/o Cylinder, Left
	QR39 TTKAB	1	U	P		Taupe Frost, Limited , w/o Cylinder, Left
	QR39 VTEAB	1	U	P		Champagne Pearl Metallic, Limited, TE , w/o Cylinder, Left
	QR39 WB7AB	1	U	P		Patriot Blue, Limited, B7 , w/o Cylinder, Left
	QR39 WPTAB	1	U	P		Everglade Pearl Coat, Limited , w/o Cylinder, Left
	QR39 WURAB	1	U	P		Sienna Pearl Coat, Limited, UR , w/o Cylinder, Left
	QR39 XGRAB	1	U	P		Shale Green, Limited , w/o Cylinder, Left
	QR39 XSHAB	1	U	P		Silverstone, Limited, SH, w/o Cylinder, Left
8	6503 226	4				NUT, Hex Flange, M5x.8
9	6505 365AA	2				SCREW
10						ROD, Inside Handle to Latch
	5014 378AA	1	J, T			Right
		1	U			Right
	5014 379AA	1	J, T			Left
		1	U			Left
11						ROD, Inside Lock to Latch
	5014 380AA	1	J, T			Right
		1	U			Right
	5014 381AA	1	U			Left

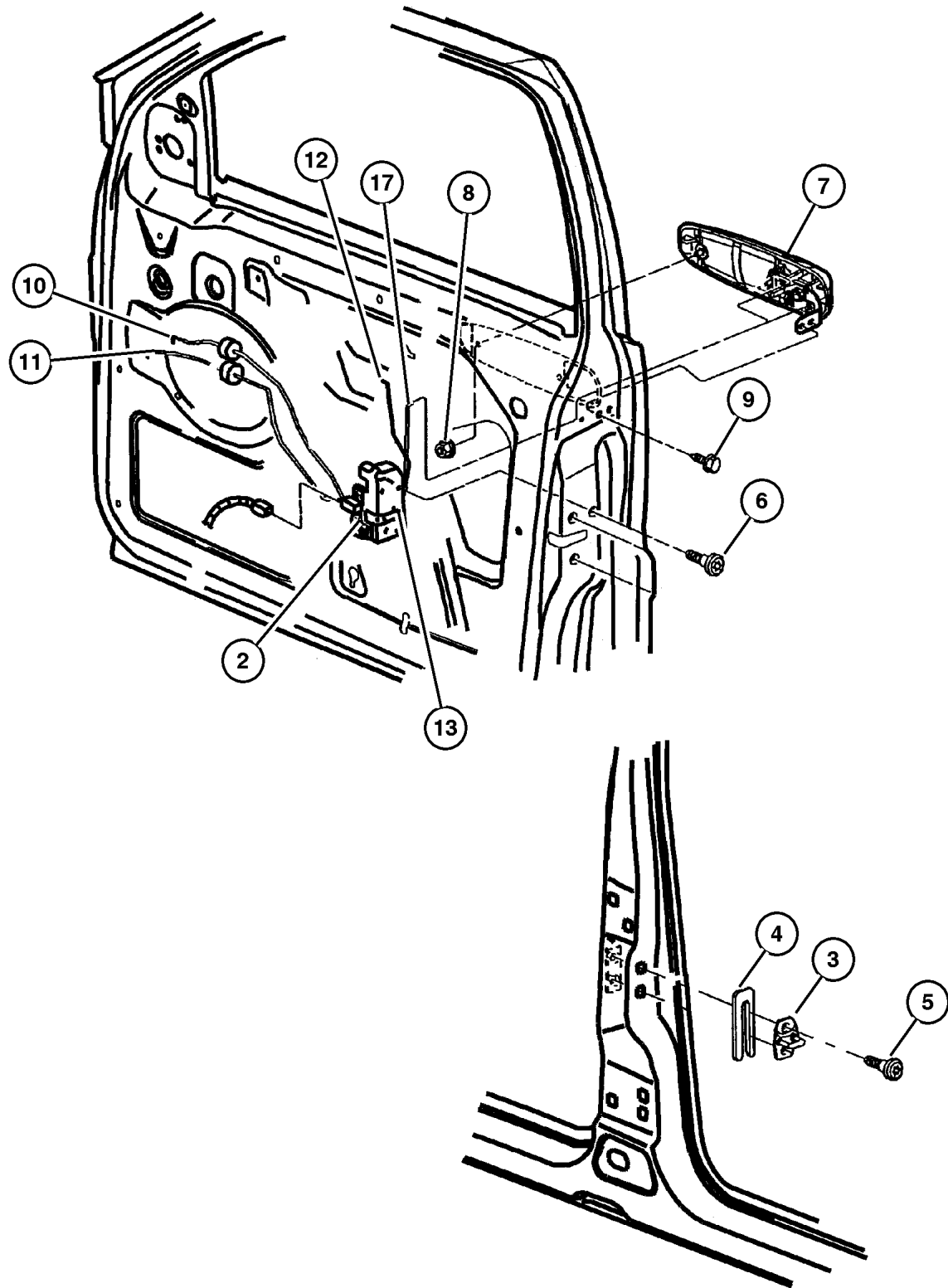
JEEP GRAND CHEROKEE (WJ)

SERIES	LINE	BODY	ENGINE	TRANSMISSION
H=Laredo	J = 4WD	74 = 4 Door(105.9 WB)	ER0, ERH = 4.0L, Power Tech I-6	DGK = 4 Speed Autm, 42RE
P=Limited	T = 2WD		EV0, EVA = 4.7L, Power Tech V8	DGW = 4 Speed Automatic, -44RE
	U = 4WD (RHD)		EXA, EX0 = 3.1L, 5 Cyl Turbo Diesel	DG4 = Multi Speed Automatic, -45RFE
				DGO = All Automatic

AR = Use as required - = Non illustrated part # = New this model year

April 3, 2002

Door, Front Lock and Controls
Figure DWJ-130



ITEM	PART NUMBER	QTY	LINE	SERIES	BODY	DESCRIPTION
		1	J, T			Left
12	5014 372AA	1	J, T			LINK, Exterior Door Handle Right
		1	U			Right
	5014 373AA	1	U			Left
		1	J, T			Left
13	5014 395AA	1				COVER, Latch-Anti Theft Right
	5014 396AA	1				Left
-14	5014 397AA	1				CLIP, Latch Purple, Right
	5014 398AA	1				Orange, Left
-15	4658 675	1	U			CLIP, Latch Link, Red, Left
-16	4658 444	1	U			CLIP, Latch Orange, Key Cylinder To Latch, Right
		1	J, T			Orange, Key Cylinder To Latch, Right
17	5014 386AA	1	U			LINK, Key Cylinder To Latch Right
	5014 387AA	1	J, T			Left

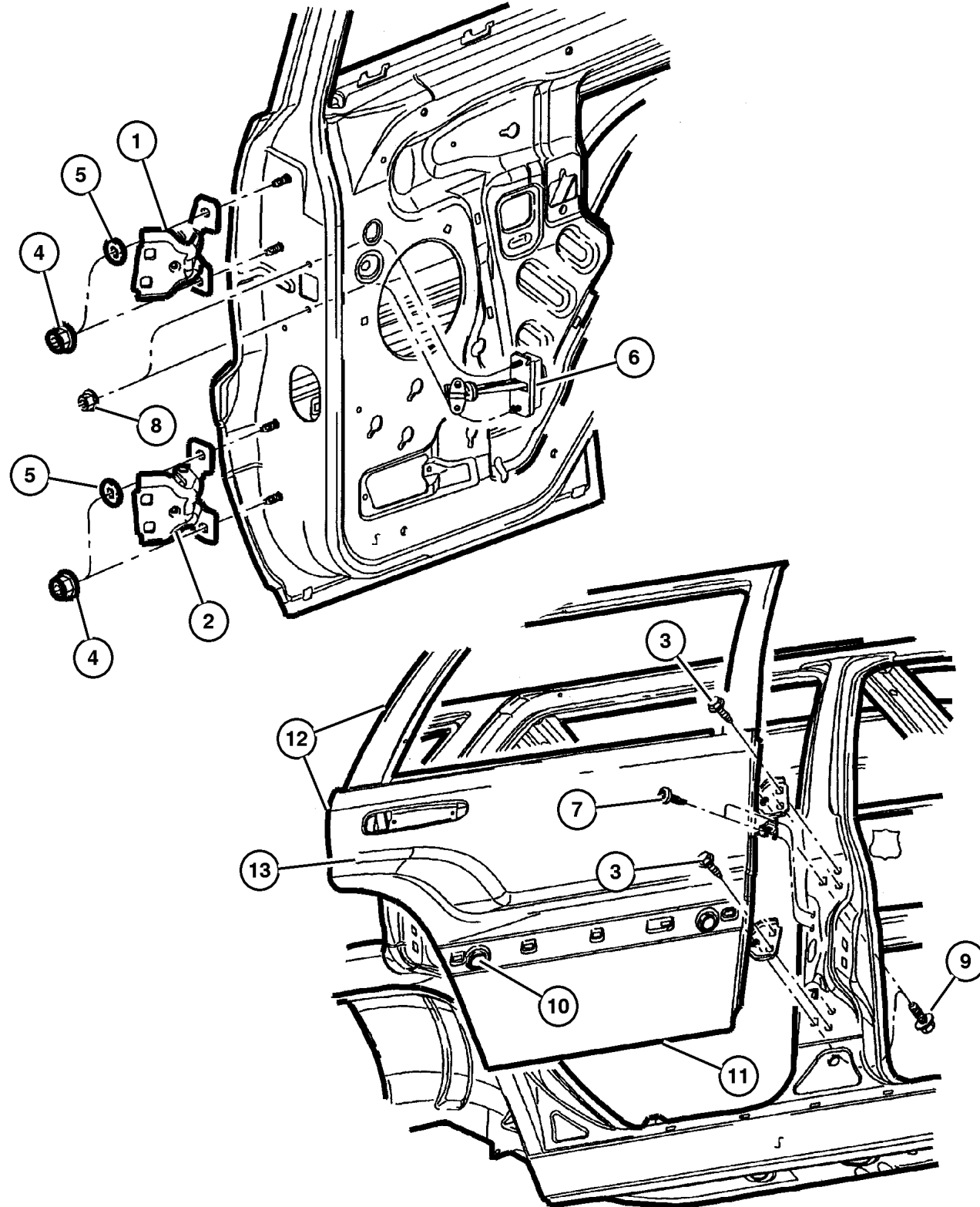
JEEP GRAND CHEROKEE (WJ)

SERIES	LINE	BODY	ENGINE	TRANSMISSION
H=Laredo	J = 4WD	74 = 4 Door(105.9 WB)	ER0, ERH = 4.0L, Power Tech I-6	DGK = 4 Speed Autm, 42RE
P=Limited	T = 2WD		EVO, EVA = 4.7L, Power Tech V8	DGW = 4 Speed Automatic, -44RE
	U = 4WD (RHD)		EXA, EX0 = 3.1L, 5 Cyl Turbo Diesel	DG4 = Multi Speed Automatic, -45RFE
				DGO = All Automatic

AR = Use as required - = Non illustrated part # = New this model year

April 3, 2002

Door, Rear Shell and Hinges
Figure DWJ-210



ITEM	PART NUMBER	QTY	LINE	SERIES	BODY	DESCRIPTION
1						HINGE, Door Half, Upper
	55135 574AC	2				Right
	55135 575AC	2				Left
2						HINGE, Door Half, Lower
	55135 574AC	2				Left
	55135 575AC	2				Right
3	6503 328	14				SCREW, Hex Head, M8x1.25x30
4	6101 809	2				NUT AND WASHER, Hex, M8x1.25
5	#55136 971AB	4				WASHER, Flat
6						CHECK, Rear Door
	55135 658AB	1				Right
	55135 659AB	1				Left
7						SCREW, Torx Head, M6x1.0x16, (NOT SERVICED)
8	6503 504	2				NUT AND WASHER, Hex, M6x1
9	6503 538	4				SCREW AND WASHER, Hex Head, M8x1.25x30
10	55257 380AA	12				PLUG
11	2860 332	4				PLUG, Anti-Rattle
12						DOOR, Rear
	#55136 700AD	1				Right
	#55136 701AD	1				Left
13						PANEL, Rear Door
	55136 702AB	1				Right
	55136 703AB	1				Left
-14						NUT, Rivet, M5x.080x26.41, (NOT SERVICED)

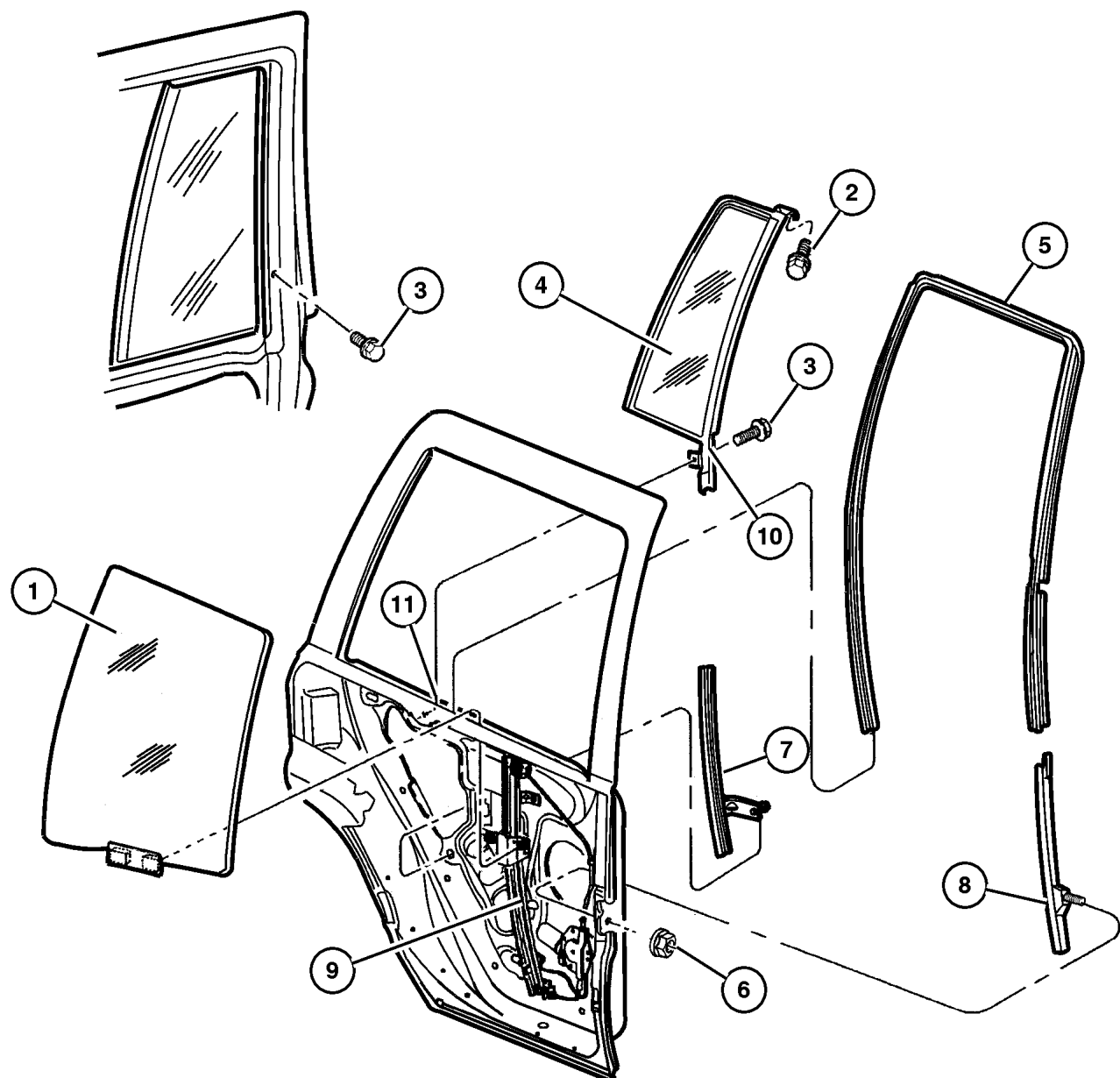
JEEP GRAND CHEROKEE (WJ)

SERIES	LINE	BODY	ENGINE	TRANSMISSION
H=Laredo	J = 4WD	74 = 4 Door(105.9 WB)	ER0, ERH = 4.0L, Power Tech I-6	DGK = 4 Speed Autm, 42RE
P=Limited	T = 2WD		EV0, EVA = 4.7L, Power Tech V8	DGW = 4 Speed Automatic, -44RE
	U = 4WD (RHD)		EXA, EX0 = 3.1L, 5 Cyl Turbo Diesel	DG4 = Multi Speed Automatic, -45RFE
				DGO = All Automatic

AR = Use as required - = Non illustrated part # = New this model year

April 3, 2002

Door, Rear Glass and Regulators
Figure DWJ-220



ITEM	PART NUMBER	QTY	LINE	SERIES	BODY	DESCRIPTION
1						GLASS, Rear Door
	5513 6036	1				Tinted, Right
	5513 6037	1				Tinted, Left
	5513 6064	1				Sunscreen, Right
	5513 6065	1				Sunscreen, Left
2						SCREW, Tapping, .164-15x.75, (NOT SERVICED)
3						SCREW, Hex Flange Head, [.164-18x.75], (NOT SERVICED)
4						GLASS PACKAGE, Rear Door Qtr
	5016 912AA	1				Tinted, Right
	5016 913AA	1				Tinted, Left
	5016 914AA	1				Sunscreen, Right
	5016 915AA	1				Sunscreen, Left
5						SEAL, Rear Door Glass
	55136 080AE	1				Right
	55136 081AE	1				Left
6	6503 504	2				NUT AND WASHER, Hex, M6x1
7						CHANNEL, Rear Door Glass Lower
	5513 6074	1				Right
	5513 6075	1				Left
8						CHANNEL, Rear Door Glass Lower
	5513 6716	1				Right
	5513 6717	1				Left
9						REGULATOR, Rear Door Window
	5507 6468	1				Right
	5507 6469	1				Left
10	55137 006AA	2				CLIP
11	6505 223AA	2				NUT, Spring, M6
-12	5086 563AA	1				CLIP, Regulator

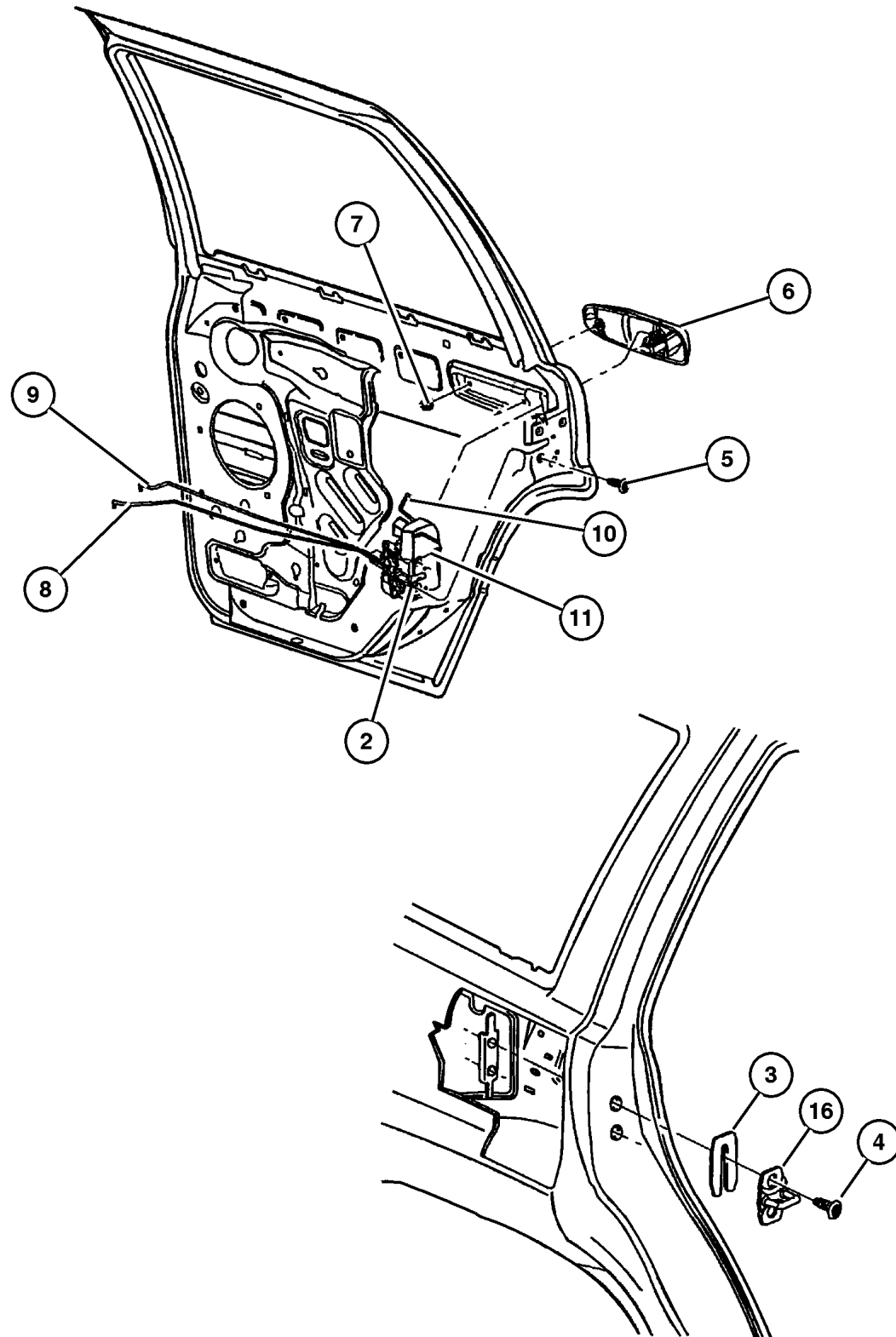
JEEP GRAND CHEROKEE (WJ)

SERIES	LINE	BODY	ENGINE	TRANSMISSION
H=Laredo	J = 4WD	74 = 4 Door(105.9 WB)	ER0, ERH = 4.0L, Power Tech I-6	DGK = 4 Speed Autm, 42RE
P=Limited	T = 2WD		EV0, EVA = 4.7L, Power Tech V8	DGW = 4 Speed Automatic, -44RE
	U = 4WD (RHD)		EXA, EX0 = 3.1L, 5 Cyl Turbo Diesel	DG4 = Multi Speed Automatic, -45RFE
				DGO = All Automatic

AR = Use as required - = Non illustrated part # = New this model year

April 3, 2002

Door, Rear Lock and Controls
Figure DWJ-230



ITEM	PART NUMBER	QTY	LINE	SERIES	BODY	DESCRIPTION
-1						HANDLE, Door Interior
	5FX72 1AZAB	1		H		Tan, Larado, Right
	5FX72 1K5AB	1		H		Agate, Larado, Right
	5FX72 1L5AB	1		H		Taupe, Larado, Right
	5FX73 1AZAB	1		H		Tan, Larado, Left
	5FX73 1K5AB	1		H		Agate, Larado, Left
	5FX73 1L5AB	1		H		Taupe, Larado, Left
	5FX74 1AZAC	1	J, T	P		Agate, Limited, Right
		1	U	P		Agate, Limited, Right
	5FX74 1K5AC	1	J, T	P		Tan, Limited, Right
		1	U	P		Tan, Limited, Right
	5FX74 1L5AC	1	J, T	P		Taupe, Limited, Right
	5FX75 1AZAC	1	J, T	P		Agate, Limited, Left
		1	U	P		Agate, Limited, Left
	5FX75 1K5AC	1	J, T	H		Tan, Limited, Left
		1	U	H		Tan, Limited, Left
	5FX75 1L5AC	1		P		Taupe, Limited, Left
2						LATCH, Rear Door
	55135 620AB	1				Right
	55135 621AB	1				Left
3	4520 289	AR				SPACER, Door Latch Striker
4	6504 573	4				SCREW, Oval Head, SCREW
5						SCREW, Tapping, M6.3x1.8x38.1, (NOT SERVICED)
6						HANDLE, Exterior Door
	55135 838AB	1		H		Right
	55135 839AB	1		H		Left
	5FW46 DX8AB	1		P		Black Clear Coat, Right
	5FW46 GW7AB	1		P		Bright White Clear Coat, W7, Right
	5FW46 SW1AB	1		P		Stone White Clear Coat, SW, Right
	5FW46 PR4AB	1		P		Flame Red, Right
	5FW46 TTKAB	1		P		Taupe Frost, Right
	5FW46 VTEAB	1		P		Champagne Pearl Metallic, TE, Right
	5FW46 WTHAB	1		P		Champagne Peal Coat, TH, Right
	5FW46 WPTAB	1		P		Everglade Pearl Coat, Right
	5FW46 XGRAB	1		P		Shale Green, Right
	5FW46 WB7AB	1		P		Patriot Blue, B7, Right
	5FW46 WBTAB	1		P		Patriot Blue, BT, Right
	5FW46 WULAB	1		P		Sienna Pearl Coat, UL, Right
	5FW46 WURAB	1		P		Sienna Pearl Coat, UR, Right
	5FW46 XS5AB	1		P		Silverstone, S5, Right
	5FW46 XSHAB	1		P		Silverstone, SH, Right
	5FW47 DX8AB	1		P		Black Clear Coat, Left

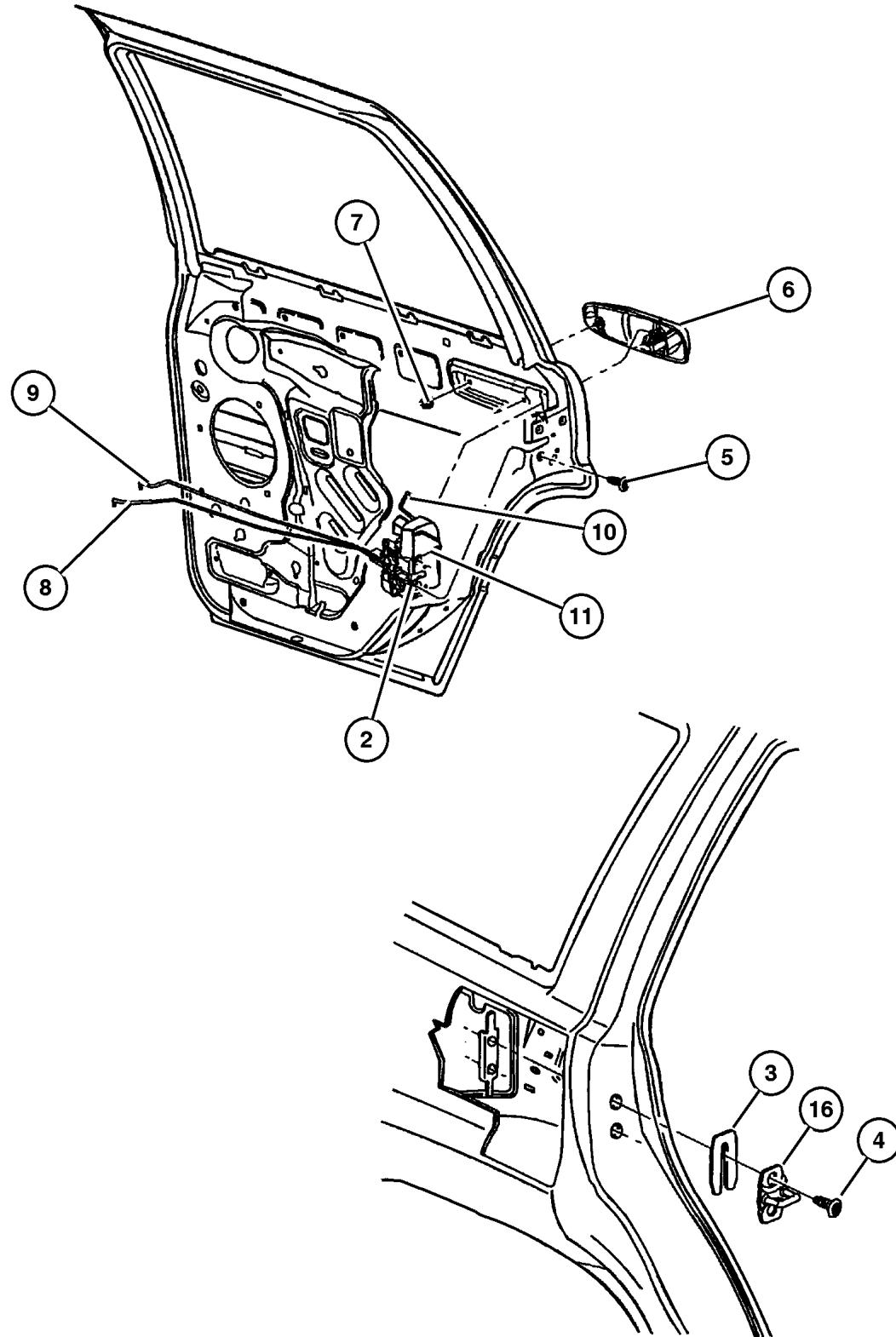
JEEP GRAND CHEROKEE (WJ)

SERIES	LINE	BODY	ENGINE	TRANSMISSION
H=Laredo	J = 4WD	74 = 4 Door(105.9 WB)	ER0, ERH = 4.0L, Power Tech I-6	DGK = 4 Speed Autm, 42RE
P=Limited	T = 2WD		EVO, EVA = 4.7L, Power Tech V8	DGW = 4 Speed Automatic, -44RE
	U = 4WD (RHD)		EXA, EX0 = 3.1L, 5 Cyl Turbo Diesel	DG4 = Multi Speed Automatic, -45RFE
				DGO = All Automatic

AR = Use as required - = Non illustrated part # = New this model year

April 3, 2002

Door, Rear Lock and Controls
Figure DWJ-230



ITEM	PART NUMBER	QTY	LINE	SERIES	BODY	DESCRIPTION
	5FW47 GW7AB	1		P		Bright White Clear Coat, W7, Left
	5FW47 SW1AB	1		P		Stone White Clear Coat, SW, Left
	5FW47 PR4AB	1		P		Flame Red, Left
	5FW47 TTKAB	1		P		Taupe Frost, Left
	5FW47 VTEAB	1		P		Champagne Pearl Metallic, TE, Left
	5FW47 WTHAB	1		P		Champagne Pearl Coat, TH, Left
	5FW47 WPTAB	1		P		Everglade Pearl Coat, Left
	5FW47 XGRAB	1		P		Shale Green, Left
	5FW47 WB7AB	1		P		Patriot Blue, B7, Left
	5FW47 WBTAB	1		P		Patriot Blue, BT, Left
	5FW47 WULAB	1		P		Sienna Pearl Coat, UL, Left
	5FW47 WURAB	1		P		Sienna Pearl Coat, UR, Left
	5FW47 XS5AB	1		P		Silverstone, S5, Left
	5FW47 XSHAB	1		P		Silverstone, SH, Left
7	6503 226	4				NUT, Hex Flange, M5x.8
8						ROD, Inside Handle to Latch
	5014 384AA	1				Right
	5014 385AA	1				Left
9						ROD, Inside Lock to Latch
	5014 382AA	1				Right
	5014 383AA	1				Left
10						LINK, Exterior Door Handle
	5014 376AA	1				Right
	5014 377AA	1				Left
11						COVER, Latch-Anti Theft
	5014 395AA	1				Right
	5014 396AA	1				Left
-12	5014 397AA	1				CLIP, Latch, Purple
-13	5014 398AA	1				CLIP, Latch, Orange
-14	4658 675	1		U		CLIP, Latch Link, Red
-15						CLIP, Latch Link
	4658 674	1				Right
	4658 675	1				Left
16	4780 259	2				STRIKER, Door
-17						LABEL, Child Protection Lock, English
	55136 932AA	1				Right
	55136 933AA	1				Left

JEEP GRAND CHEROKEE (WJ)

SERIES	LINE	BODY	ENGINE	TRANSMISSION
H=Laredo	J = 4WD	74 = 4 Door(105.9 WB)	ER0, ERH = 4.0L, Power Tech I-6	DGK = 4 Speed Autm, 42RE
P=Limited	T = 2WD		EVO, EVA = 4.7L, Power Tech V8	DGW = 4 Speed Automatic, -44RE
	U = 4WD (RHD)		EXA, EX0 = 3.1L, 5 Cyl Turbo Diesel	DG4 = Multi Speed Automatic, -45RFE
				DGO = All Automatic

AR = Use as required - = Non illustrated part # = New this model year

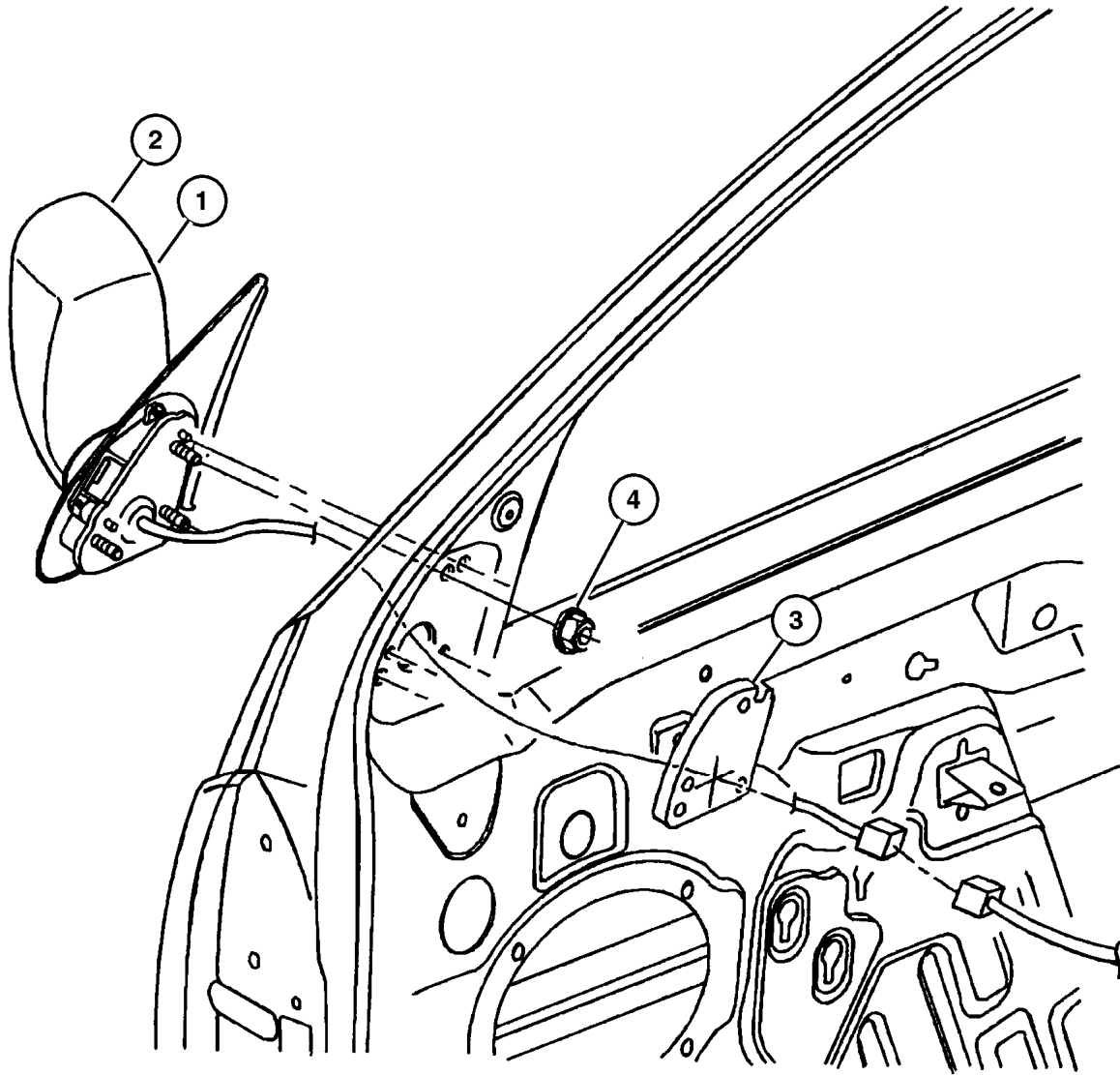
April 3, 2002

Mirrors, Exterior
Figure DWJ-510

ITEM	PART NUMBER	QTY	LINE	SERIES	BODY	DESCRIPTION
------	-------------	-----	------	--------	------	-------------

Note: Sales Code GTF = Power Fold-Away ac DHF=Quadra-Trac
 Note: Sales Code GTN = Power Fold-Away ac DHF=Quadra-Trac
 Note: Sales Code GTM = Power Fold-Away Heated ac DHF=Quadra-Trac
 Note: Sales Code GTR = Power Fold-Away ac DHF=Quadra-Trac
 Note: Sales Code GTW = Power Fold-Away Black ac DHF=Quadra-Trac
 Note: Sales Code GT3 = Power Fold-Away Hea ac DHF=Quadra-Trac

1						MIRROR, Outside, Rearview, Electric, Heated
	53054 460AB	1	U			GTF, Right
	53054 461AB	1	U			GTF, Left
	55155 230AB	1	J, T			GT3, Right
	55155 231AB	1	J, T			GT3, Left
	55155 232AC	1	J, T			GTM, Right
	55155 233AC	1	J, T			GTM, Left
2						MIRROR, Outside Rearview Electric Foldaway
	55155 792AB	1	U			GTR, Right
	55155 793AB	1	U			GTR, Left
	55155 446AB	1	J, T			GTN, Right
	55155 447AB	1	J, T			GTN, Left
3						SEAL, Mirror
	55136 274AB	1				Right
	55136 275AB	1				Left
4	J420 0408	6				NUT AND WASHER, Hex Nut-Coned Washer, M5 x 0.80
-5						GLASS, Mirror Replacement
	5013 636AA	1	J, T			GTN, Right
	5013 637AA	1	J, T			GTN, Left
	5017 072AA	1	J, T			GT3, Right
	5017 075AA	1	J, T			GT3, Left
	5017 072AA	1	J, T			GTM, Right
	5017 073AA	1	J, T			GTM, Left
	5017 082AA	1	J, T			GTR, Right
	5017 083AA	1	J, T			GTR,GTW, Left
	5017 084AA	1	J, T			GTF, Right
	5017 085AA	1	J, T			GTF,GTX, Left
	5017 086AA	1	J			GTW, Right
	5017 087AA	1	J			GTX, Left
	5017 088AA	1	U			GTR, Right
	5017 089AA	1	U			GTR, Left
	5017 090AA	1	U			GTF, Right
	5017 091AA	1	U			GTF, Left



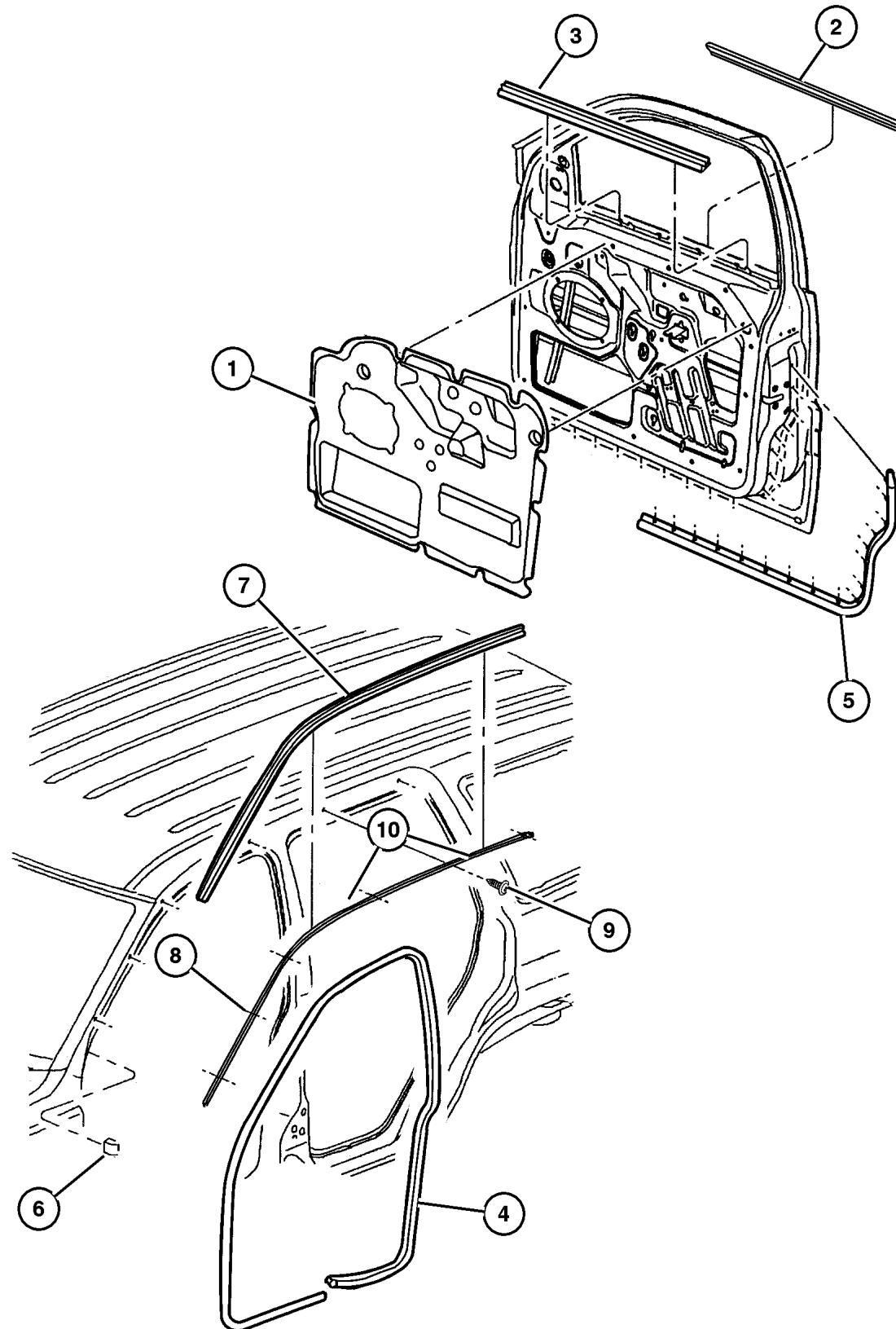
JEEP GRAND CHEROKEE (WJ)

SERIES	LINE	BODY	ENGINE	TRANSMISSION
H=Laredo	J = 4WD	74 = 4 Door(105.9 WB)	ER0, ERH = 4.0L, Power Tech I-6	DGK = 4 Speed Autm, 42RE
P=Limited	T = 2WD		EVO, EVA = 4.7L, Power Tech V8	DGW = 4 Speed Automatic, -44RE
	U = 4WD (RHD)		EXA, EX0 = 3.1L, 5 Cyl Turbo Diesel	DG4 = Multi Speed Automatic, -45RFE
				DGO = All Automatic

AR = Use as required - = Non illustrated part # = New this model year

April 3, 2002

Door, Front Weatherstrips and Seals
Figure DWJ-610



ITEM	PART NUMBER	QTY	LINE	SERIES	BODY	DESCRIPTION
1	55135 874AD	1				INSULATOR, Front Door Right
	55135 875AD	1				Left
2	55135 878AC	1				WEATHERSTRIP, Front Door Belt Right
	55135 879AC	1				Left
3	55135 898AC	1				WEATHERSTRIP, Front Door Belt Right
	55135 899AC	1				Left
4	55135 918AC	1				SEAL, Front Door Right
	55135 919AC	1				Left
5	55136 114AB	1				SEAL, Front Door Right
	55136 115AB	1				Left
6	5513 5678	2				BLOCKER, Seal Exterior A Pillar
7	55135 869AB	1				SEAL, Body Side Right
	55135 872AB	1				Left
8	#55136 902AD	1				MOLDING, Windshield, Retainer Right
	#55136 903AD	1				Left
9						SCREW, Tapping, .164-18x.437, 06033605, (NOT SERVICED)
10	55136 900AA	1				SEAL, Rear Door, Retainer Right
	55136 901AA	1				Left

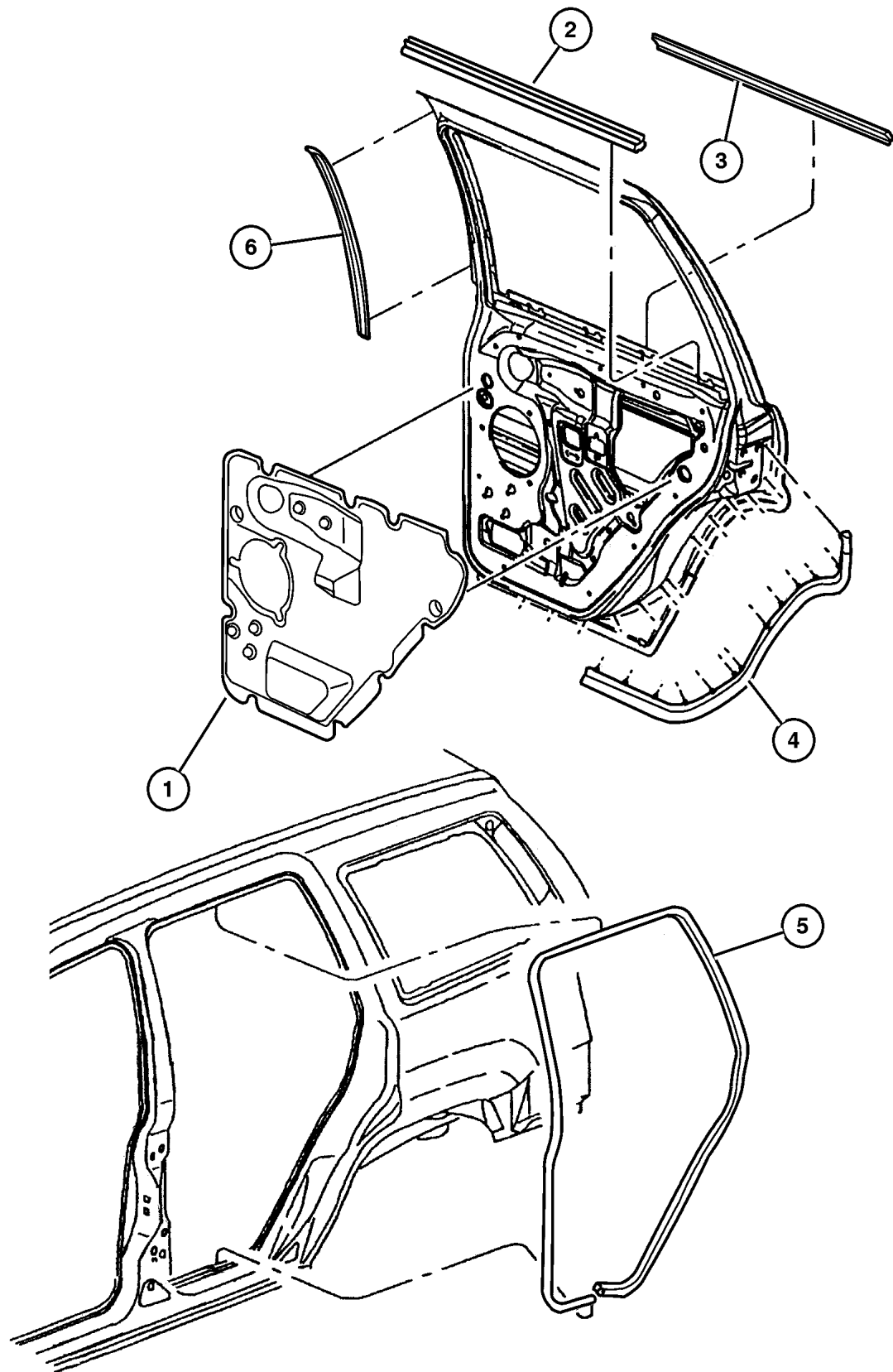
JEEP GRAND CHEROKEE (WJ)

SERIES	LINE	BODY	ENGINE	TRANSMISSION
H=Laredo	J = 4WD	74 = 4 Door(105.9 WB)	ER0, ERH = 4.0L, Power Tech I-6	DGK = 4 Speed Autm, 42RE
P=Limited	T = 2WD		EV0, EVA = 4.7L, Power Tech V8	DGW = 4 Speed Automatic, -44RE
	U = 4WD (RHD)		EXA, EX0 = 3.1L, 5 Cyl Turbo Diesel	DG4 = Multi Speed Automatic, -45RFE
				DGO = All Automatic

AR = Use as required - = Non illustrated part # = New this model year

April 3, 2002

**Door, Rear Weatherstrips and Seals
Figure DWJ-620**



ITEM	PART NUMBER	QTY	LINE	SERIES	BODY	DESCRIPTION
1	55135 876AD	1				INSULATOR, Rear Door Right
	55135 877AD	1				Left
2	55135 888AC	1				WEATHERSTRIP, Rear Door Belt, Inner Right
	55135 889AC	1				Left
3	55135 890AC	1				WEATHERSTRIP, Rear Door Belt, Outer Right
	55135 891AC	1				Left
4	55136 116AB	1				SEAL, Rear Door Right
	55136 117AB	1				Left
5	55135 958AC	1				SEAL, Rear Door Right
	55135 959AC	1				Left
6	55136 118AB	1				SEAL, B-Pillar Right
	55136 119AB	1				Left

JEEP GRAND CHEROKEE (WJ)

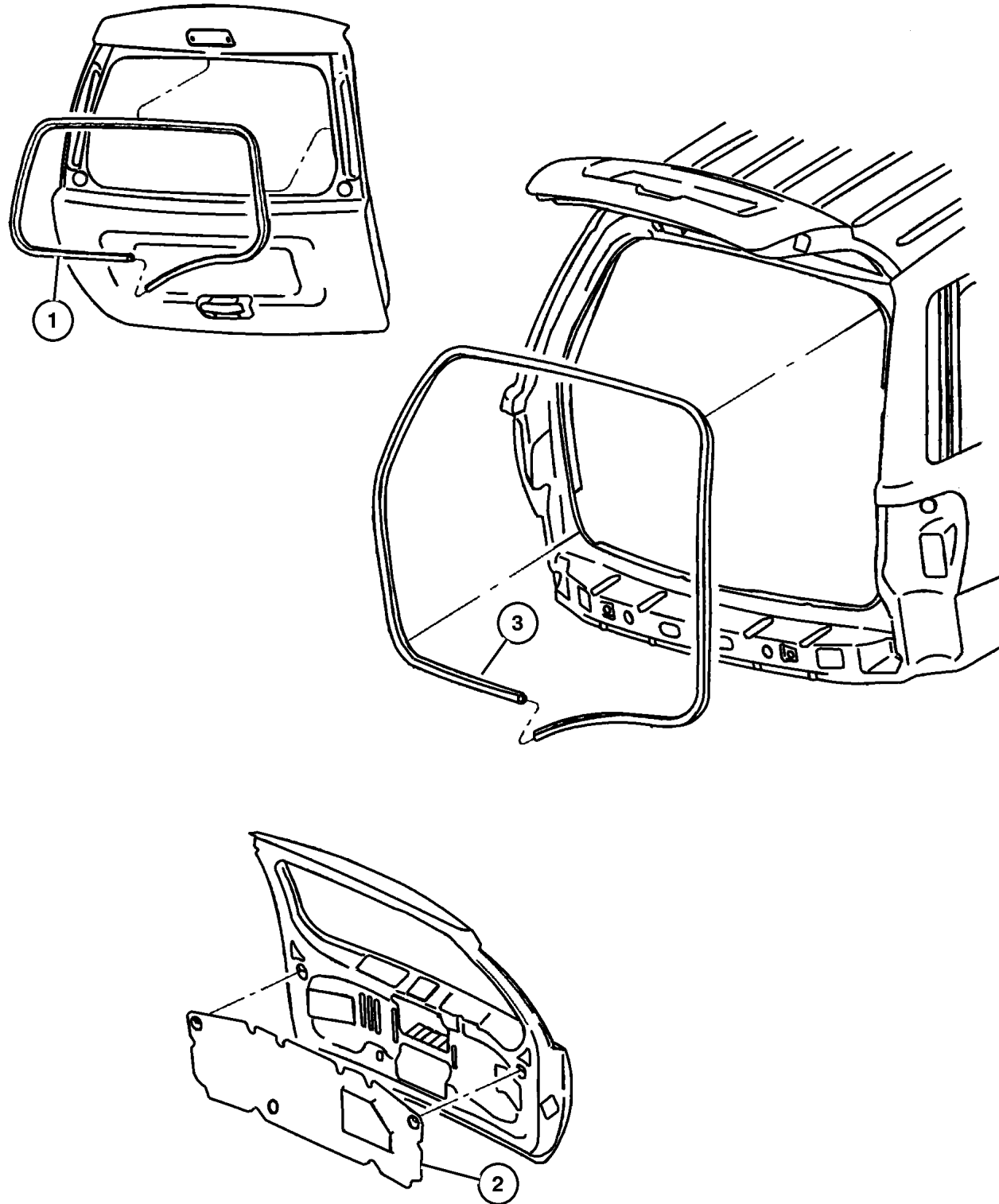
SERIES	LINE	BODY	ENGINE	TRANSMISSION
H=Laredo	J = 4WD	74 = 4 Door(105.9 WB)	ER0, ERH = 4.0L, Power Tech I-6	DGK = 4 Speed Autm, 42RE
P=Limited	T = 2WD		EV0, EVA = 4.7L, Power Tech V8	DGW = 4 Speed Automatic, -44RE
	U = 4WD (RHD)		EXA, EX0 = 3.1L, 5 Cyl Turbo Diesel	DG4 = Multi Speed Automatic, -45RFE
				DGO = All Automatic

AR = Use as required - = Non illustrated part # = New this model year

April 3, 2002

**Door, Rear Tail Gate Weatherstrips and Seals
Figure DWJ-630**

ITEM	PART NUMBER	QTY	LINE	SERIES	BODY	DESCRIPTION
1	#55136 053AD	1				WEATHERSTRIP, Liftgate Glass
2	55136 185AC	1				INSULATION, liftgate
3	55135 388AB	1				SEAL, Liftgate



JEEP GRAND CHEROKEE (WJ)				
SERIES	LINE	BODY	ENGINE	TRANSMISSION
H=Laredo	J = 4WD	74 = 4 Door(105.9 WB)	ER0, ERH = 4.0L, Power Tech I-6	DGK = 4 Speed Autm, 42RE
P=Limited	T = 2WD		EVO, EVA = 4.7L, Power Tech V8	DGW = 4 Speed Automatic, -44RE
	U = 4WD (RHD)		EXA, EX0 = 3.1L, 5 Cyl Turbo Diesel	DG4 = Multi Speed Automatic, -45RFE
				DGO = All Automatic

AR = Use as required - = Non illustrated part # = New this model year

April 3, 2002

Group – EWJ

Exterior Ornamentation

GROUP EWJ - Exterior Ornamentation

Illustration Title

Group-Fig. No.

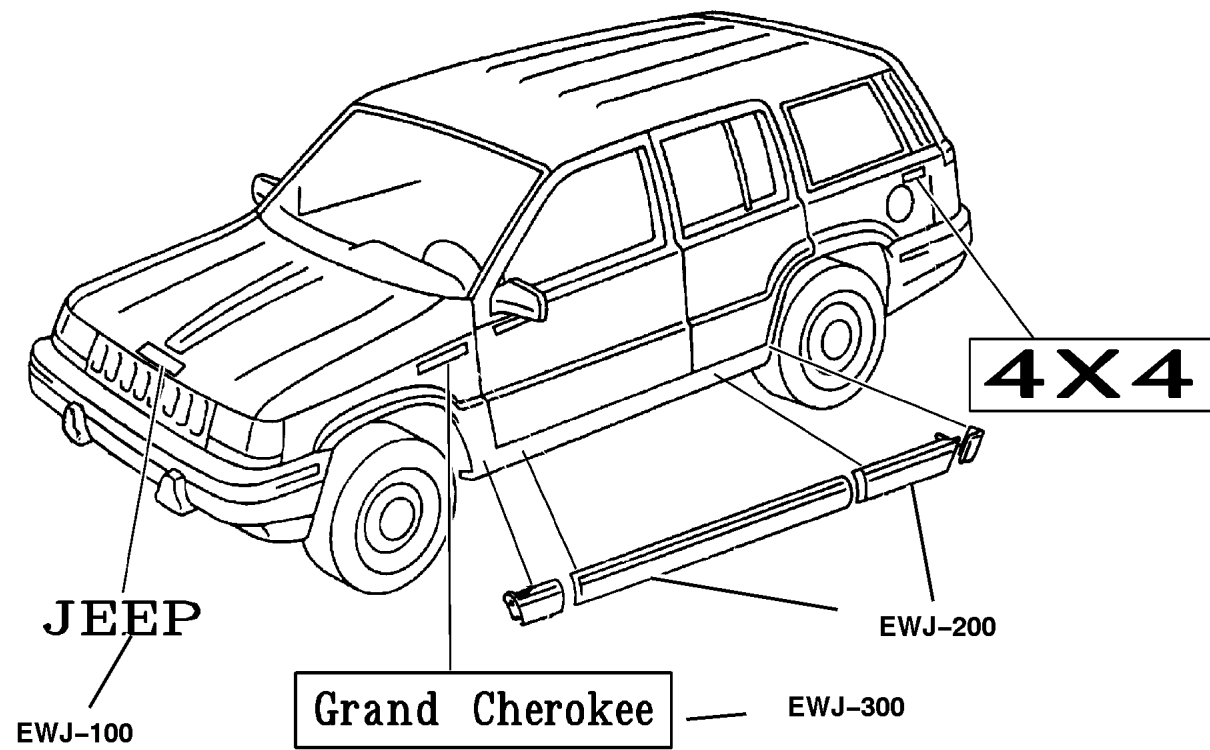
Nameplates

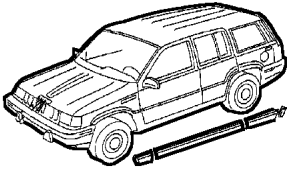
Nameplates and Decals Fig. EWJ-120

Moldings and Ornamentation

Moldings, Upper Fig. EWJ-210

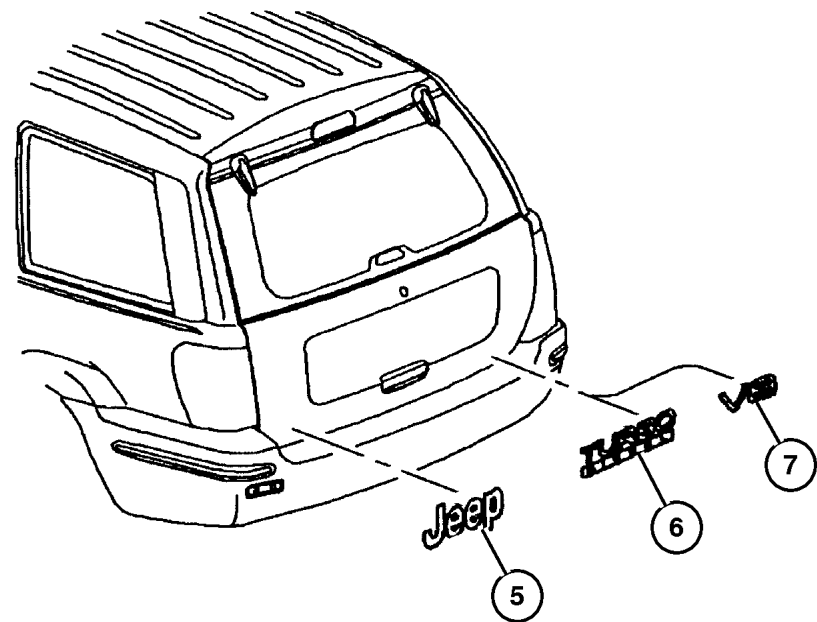
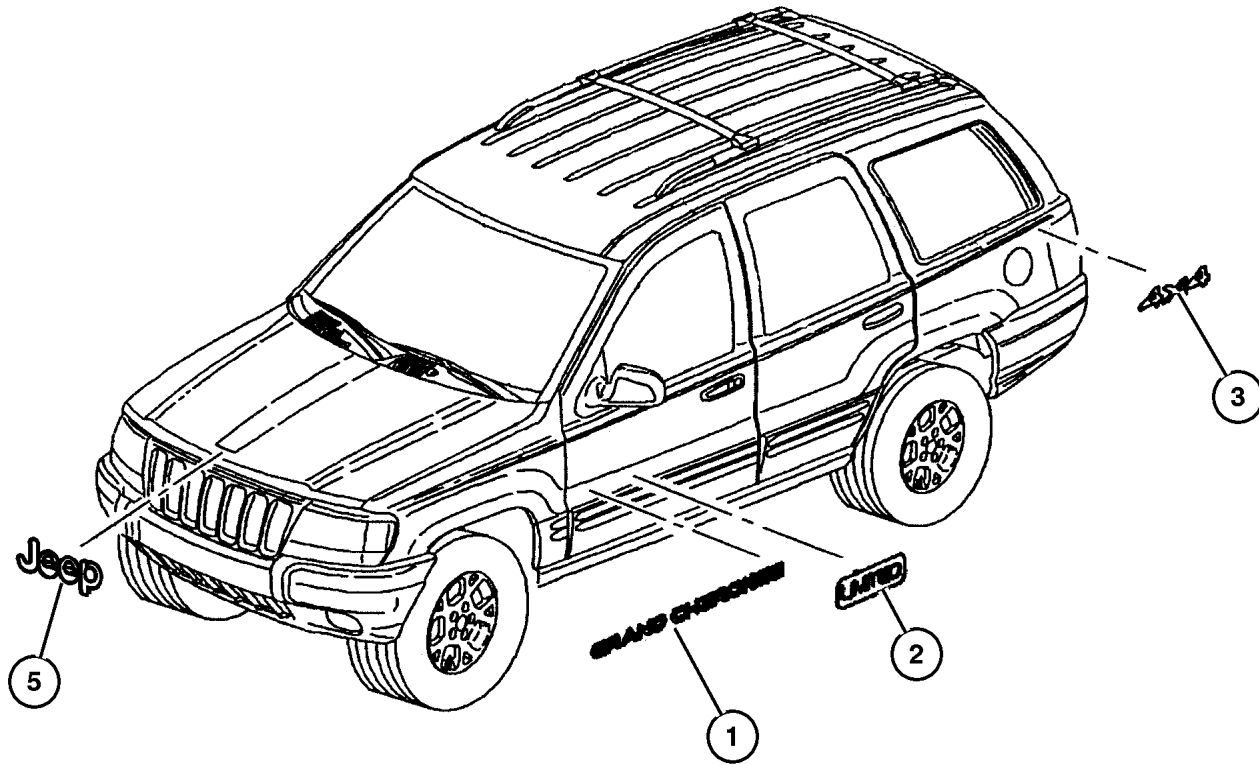
Cladding and Sill Moldings Fig. EWJ-220



EWJ-100 Nameplates	EWJ-200 Moldings and Ornamentation	EWJ-300 Decals and Tapestripes	
<p>Grand Cherokee JEEP</p>		<p>4X4</p> <p>V6</p>	

**Nameplates and Decals
Figure EWJ-120**

ITEM	PART NUMBER	QTY	LINE	SERIES	BODY	DESCRIPTION
1						NAMEPLATE, Grand Cherokee, Grand Cherokee
	5EN8 0SA1	2				Silver
	5EN8 0WKK	2				Camel
	5515 5621	2				Chrome
2						DIMENSIONAL GRAPHIC, Limited
	5EM9 1SA1	2				Silver
	5EM9 1WKK	2				Camel
	#55156 043AA	2				Chrome
3						NAMEPLATE, Jeep, 4x4
	5EM8 9SA1	2				Silver
	5EM8 9WKK	2				Camel
-4	5515 5623	2	J, U			NAMEPLATE, 4x4, Chrome
5						NAMEPLATE, Jeep, Jeep
	5EM8 7SA1	2				Silver
	5EM8 7WKK	2				Camel
	5515 5622	2				Chrome
6						DECAL, Turbo Diesel
	5EN8 6SA1	1				Silver
	5EN8 6WKK	1				Camel
	#55156 044AA	1				Chrome
7						NAMEPLATE, V-8 and Quadra Drive
	5EN7 8SA1	1				Silver
	5EN7 8WKK	1				
	5515 5620	1				V-8 Chrome
	55155 994AA	1				Quadra Drive - Chrome



JEEP GRAND CHEROKEE (WJ)

SERIES	LINE	BODY	ENGINE	TRANSMISSION
H=Laredo	J = 4WD	74 = 4 Door(105.9 WB)	ER0, ERH = 4.0L, Power Tech I-6	DGK = 4 Speed Autm, 42RE
P=Limited	T = 2WD		EV0, EVA = 4.7L, Power Tech V8	DGW = 4 Speed Automatic, -44RE
	U = 4WD (RHD)		EXA, EX0 = 3.1L, 5 Cyl Turbo Diesel	DG4 = Multi Speed Automatic, -45RFE
				DGO = All Automatic

AR = Use as required - = Non illustrated part # = New this model year

April 3, 2002

Moldings, Upper
Figure EWJ-210

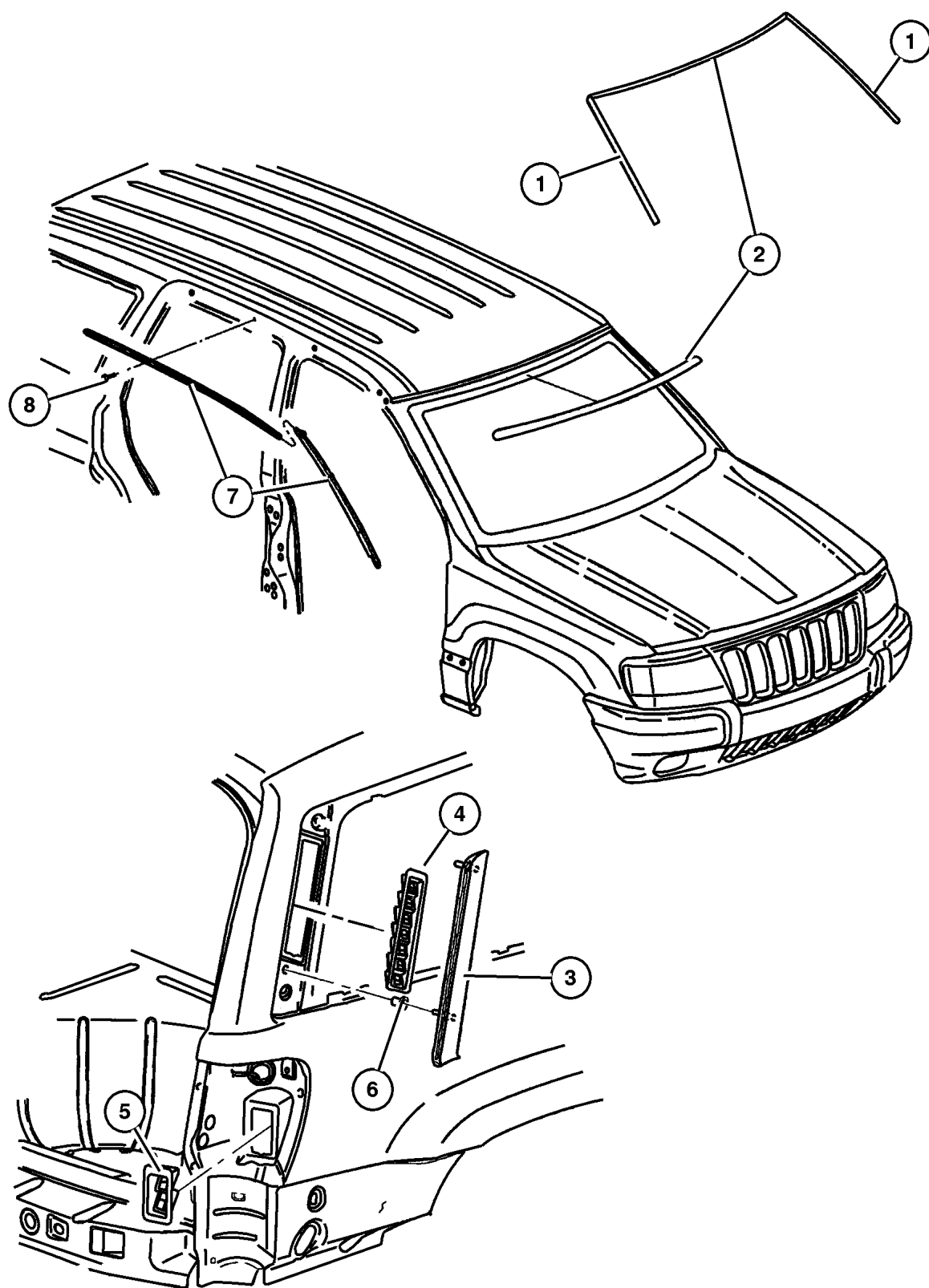
ITEM	PART NUMBER	QTY	LINE	SERIES	BODY	DESCRIPTION
1						MOLDING, Windshield
	#55136 902AD	1				Right
	#55136 903AD	1				Left
2	#55135 592AC	1				MOLDING, Windshield, Upper
3						APPLIQUE, D Pillar
	5EZ20 DX8AB	1				Black Clear Coat, Right
	5EZ20 GW7AB	1				Bright White Clear Coat, Right
	5EZ20 SW1AB	1				Stone White Clear Coat, Right
	5EZ20 PR4AB	1				Flame Red, Right
	5EZ20 TTKAB	1				Taupe Frost, Right
	5EZ20 VTEAB	1				Champagne Pearl Metallic, TE, Right
	5EZ20 WTHAB	1				Champagne Pearl Coat, TH, Right
	5EZ20 WPTAB	1				Everglade Pearl Coat, Right
	5EZ20 XGRAB	1				Shale Green, Right
	5EZ20 WULAB	1				Sienna Pearl Coat, UL, Right
	5EZ20 WURAB	1				Sienna Pearl Coat, UR, Right
	5EZ20 WB7AB	1				Patriot Blue, B7, Right
	5EZ20 WBTAB	1				Patriot Blue, BT, Right
	5EZ20 XS5AB	1				Silverstone, S5, Right
	5EZ20 XSHAB	1				Silverstone, SH, Right
	5EZ21 DX8AB	1				Black Clear Coat, Left
	5EZ21 GW7AB	1				Bright White Clear Coat, Left
	5EZ21 PR4AB	1				Flame Red, Left
	5EZ21 SW1AB	1				Stone White Clear Coat, Left
	5EZ21 TTKAB	1				Taupe Frost, Left
	5EZ21 VTEAB	1				Champagne Pearl Metallic, TE, Left
	5EZ21 WTHAB	1				Champagne Pearl Coat, TH, Left
	5EZ21 WPTAB	1				Everglade Pearl Coat, Left
	5EZ21 XGRAB	1				Shale Green, Left
	5EZ21 WULAB	1				Sienna Pearl Coat, UL, Left
	5EZ21 WURAB	1				Sienna Pearl Coat, UR, Left
	5EZ21 WB7AB	1				Patriot Blue, B7, Left
	5EZ21 WBTAB	1				Patriot Blue, BT, Left
	5EZ21 XS5AB	1				Silverstone, S5, Left
	5EZ21 XSHAB	1				Silverstone, SH, Left
4						EXHAUSTER, Quarter Panel
	55136 278AF	1				Right
	55136 279AE	1				Left
5	55136 280AB	2				EXHAUSTER, Quarter Panel
6	6004 512	4				CLIP, D Pillar Exhauster
7						SEAL, Body Side
	55135 869AB	1				Right
	55135 872AB	1				Left

JEEP GRAND CHEROKEE (WJ)

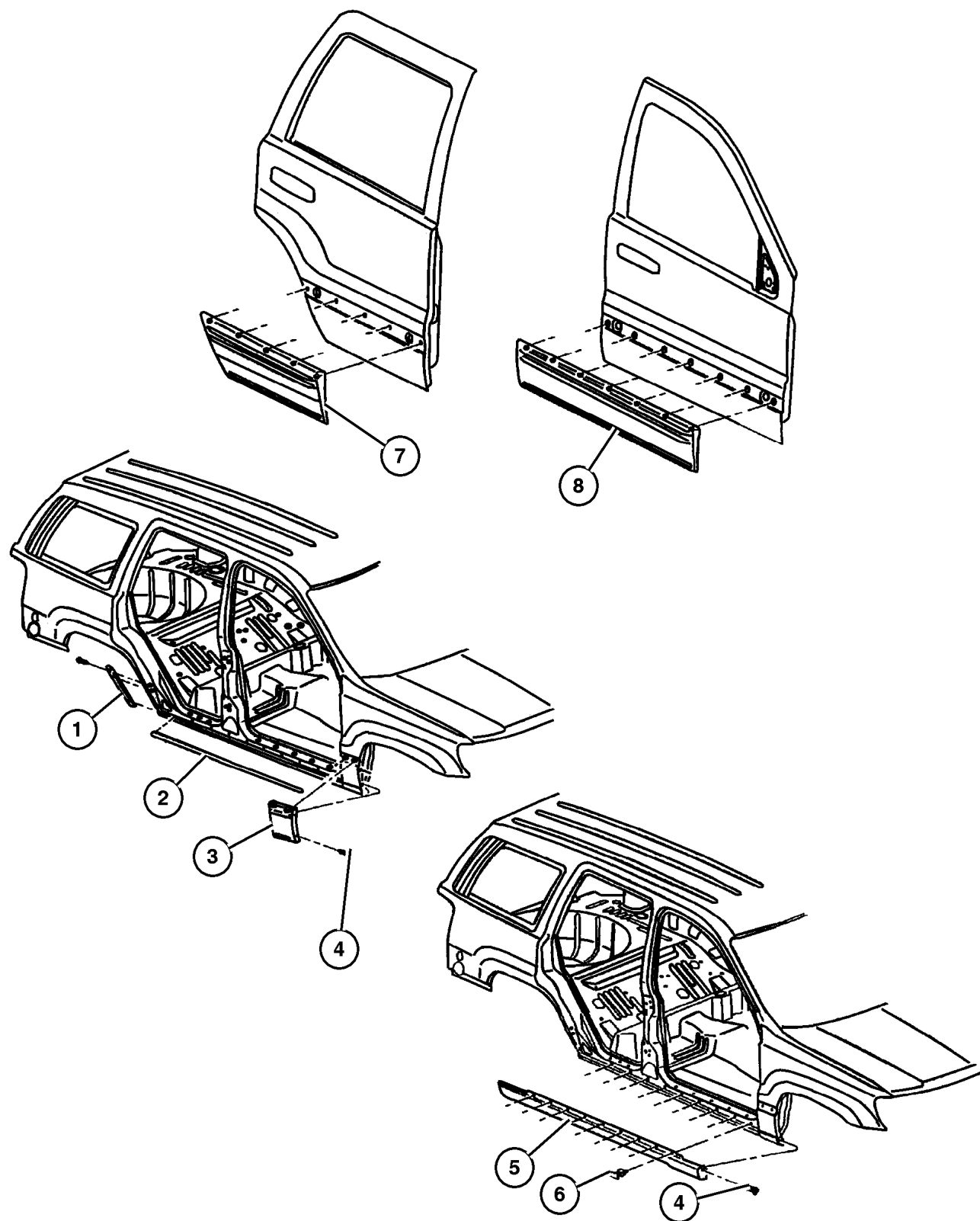
SERIES	LINE	BODY	ENGINE	TRANSMISSION
H=Laredo	J = 4WD	74 = 4 Door(105.9 WB)	ER0, ERH = 4.0L, Power Tech I-6	DGK = 4 Speed Autm, 42RE
P=Limited	T = 2WD		EVO, EVA = 4.7L, Power Tech V8	DGW = 4 Speed Automatic, -44RE
	U = 4WD (RHD)		EXA, EX0 = 3.1L, 5 Cyl Turbo Diesel	DG4 = Multi Speed Automatic, -45RFE
				DGO = All Automatic

AR = Use as required - = Non illustrated part # = New this model year

April 3, 2002



Cladding and Sill Moldings Figure EWJ-220



ITEM	PART NUMBER	QTY	LINE	SERIES	BODY	DESCRIPTION
Note: Laredo Cladding Colors, Order with Paint Codes. (Gray K4A= AW, BT, PT, R4, X8) (Brownstone K4K= S4, S5, TH, TK, UL, W1) ac DHF=Quadra-Trac						
1						CLADDING, Quarter Panel
	5EY7 8VF7	1		H		K4K, Laredo, F7, Right
	5EY7 8XS9	1		H		K4A. Laredo, S9, Right
	5EY7 9VF7	1		H		K4K, Laredo, F7, Left
	5EY7 9XS9	1		H		K4A. Laredo, S9, Left
	5EY8 8TZZ	1		P		K4I. Limited, ZZ [P.A.R.], Right
	5EY8 9TZZ	1		P		K4I. Limited, ZZ [P.A.R.], Left
2	5FX65 DX9AA	2		P		MOLDING, Sill Cover
3						CLADDING, Fender
	5015 766AA	1		P		(Service Dealer Paint), Right
	5015 767AA	1		P		(Service Dealer Paint), Left
	5FR1 6VF7	1		H		K4K, Laredo, F7, Right
	5FR1 6XS9	1		H		K4A. Laredo, S9, Right
	5FR1 7VF7	1		H		K4K, Laredo, F7, Left
	5FR1 7XS9	1		H		K4A. Laredo, S9, Left
4	6035 217	4				SCREW, Round Head, .164-18.5
5						MOLDING, Sill Cover
	5EY6 4VF7	1		H		K4K, Laredo, F7, Right
	5EY6 4XS9	1		H		K4A. Laredo, S9, Right
	5EY6 4VF7	1		P		K4K, Laredo, F7, Export, Right
	5EY6 4XS9	1		P		K4A. Laredo, S9, Export, Right
	5EY6 5VF7	1		H		K4K, Laredo, F7, Left
	5EY6 5XS9	1		H		K4A. Laredo, S9, Left
		1		P		K4A. Laredo, S9, Export, Left
6	5FR5 6DX9	18		H, P		RETAINER
7						CLADDING, Rear Door
	5015 772AA	1		P		(Service Dealer Paint), Right
	5015 773AA	1		P		(Service Dealer Paint), Left
	5EY74 VF7AB	1		H		K4K, Laredo, F7, Right
	5EY74 XS9AB	1		H		K4A. Laredo, S9, Right
	5EY75 VF7AB	1		H		K4K, Laredo, F7, Left
	5EY75 XS9AB	1		H		K4A. Laredo, S9, Left
8						CLADDING, Front Door
	5015 770AA	1		P		(Service Dealer Paint), Right
	5015 771AA	1		P		(Service Dealer Paint), Left
	5FR20 VF7AB	1		H		K4K, Laredo, F7, Right
	5FR20 XS9AB	1		H		K4A. Laredo, S9, Right
	5FR21 VF7AB	1		H		K4K, Laredo, F7, Left
	5FR21 XS9AB	1		H		K4A. Laredo, S9, Left

JEEP GRAND CHEROKEE (WJ)

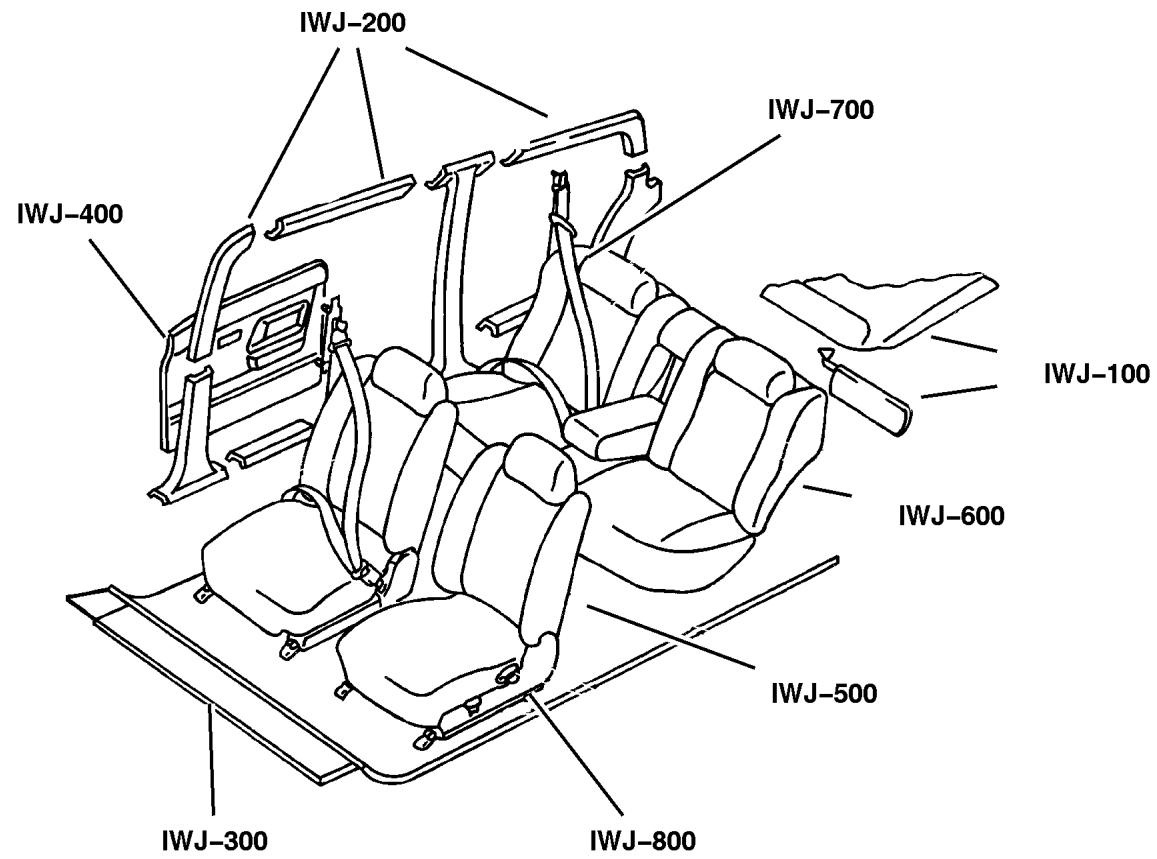
SERIES	LINE	BODY	ENGINE	TRANSMISSION
H=Laredo	J = 4WD	74 = 4 Door(105.9 WB)	ER0, ERH = 4.0L, Power Tech I-6	DGK = 4 Speed Autm, 42RE
P=Limited	T = 2WD		EV0, EVA = 4.7L, Power Tech V8	DGW = 4 Speed Automatic, -44RE
	U = 4WD (RHD)		EXA, EX0 = 3.1L, 5 Cyl Turbo Diesel	DG4 = Multi Speed Automatic, -45RFE
				DGO = All Automatic

AR = Use as required - = Non illustrated part # = New this model year

April 3, 2002

Group – IWJ

Interior Trim



Group – IWJ

Interior Trim

<p>IWJ-1000 Lift Gate Trim</p>			
---	--	--	--

<p>IWJ-100 Headliner and Visor</p>	<p>IWJ-200 Panel – Mouldings, Scuff Plates</p>	<p>IWJ-300 Carpet and Tonneau Cover</p>	<p>IWJ-400 Door Trim Panels</p>
<p>IWJ-500 Front Seats and Attaching Parts</p>	<p>IWJ-600 Rear Seats and Attaching Parts</p>	<p>IWJ-700 Seat Belts – Front and Rear</p>	<p>IWJ-800 Adjusters, Covers, Shields and Risers</p>

GROUP IWJ - Interior Trim

Illustration Title	Group-Fig. No.
Headliner and Visor	
Headliner and Assist Handle	Fig. IWJ-110
Sunvisor	Fig. IWJ-120
Panel - Mouldings, Scuff Plates	
Front Trim Panels and Scuff Plates	Fig. IWJ-210
Rear Trim Panels	Fig. IWJ-220
Carpet and Tonneau Cover	
Carpet and Insulation	Fig. IWJ-310
Door Trim Panels	
Door Trim Panels	Fig. IWJ-410
Front Seats and Attaching Parts	
Front Seat, Cloth, Trim Code [H7]	Fig. IWJ-510
Front Seat, Leather, Trim Code [FL]	Fig. IWJ-520
Front Seat, Leather, Trim Code [DL]	Fig. IWJ-530
Front Seat, Leather, Trim Code [EL]	Fig. IWJ-540
Rear Seats and Attaching Parts	
Rear Seat, Trim Code [H7]	Fig. IWJ-610
Rear Seat, Trim Code [FL]	Fig. IWJ-620
Rear Seat, Trim Code [DL]	Fig. IWJ-630
Rear Seat, Trim Code [EL]	Fig. IWJ-640
Seat Belts - Front and Rear	
Front Seat	Fig. IWJ-710
Rear Seat Belt	Fig. IWJ-720
Adjusters, Covers, Shields and Risers	
Recliner and Adjusters	Fig. IWJ-810
Lift Gate Trim	
Liftgate Panel and Scuff Plate	Fig. IWJ-1010

Headliner and Assist Handle Figure IWJ-110

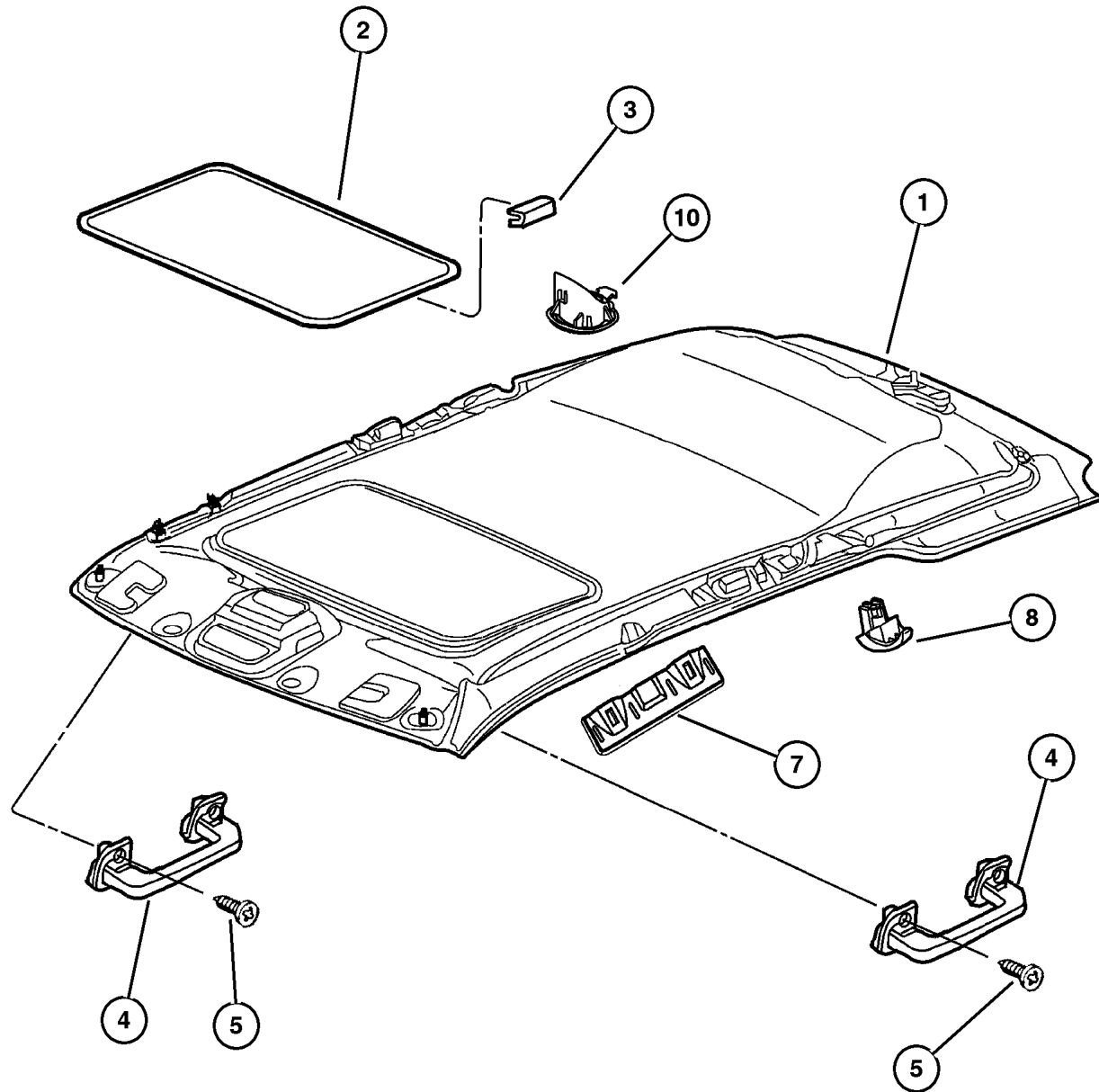
ITEM	PART NUMBER	QTY	LINE	SERIES	BODY	TRIM	DESCRIPTION
1							HEADLINER
	5FS43 RK5AC	1	J, T				[K5], With Overhead Console, Illuminated Vanity
	5FS43 TL2AC	1	J, T				[AZ, L5], With Overhead Console, Illuminated Vanity
	5FS49 RK5AC	1	J, T				[K5], With Overhead Console, Sunroof
	5FS49 TL2AC	1	J, T				[AZ, L5], With Overhead Console, Sunroof
	#5HE10 TL2AA	1	J, T				[AZ, L5], With Overhead Console, With Vanity Mirrors
	#5HE10 RK5AA	1	J, T				[K5], With Overhead Console, With Vanity Mirrors
	#5HE07 TL2AA	1	J, T				[AZ], With Overhead Console, With Vanity Mirrors, Export
	#5HE07 RK5AA	1	J, T				[K5], With Overhead Console, With Vanity Mirrors, Export
	5GR05 RK5AB	1	J, T				[K5], With Overhead Console, Illuminated Vanity, Export
	5GR05 TL2AB	1	J, T				[AZ], With Overhead Console, Illuminated Vanity, Export
	5GR07 RK5AB	1	J, T				[K5], With Overhead Console, Sunroof, Export
	5GR07 TL2AB	1	J, T				[AZ], With Overhead Console, Sunroof, Export
	5GX24 RK5AB	1	U				[K5], With Overhead Console, Child Tether, AUSTRALIA, Export
	5GX24 TL2AB	1	U				[AZ], With Overhead Console, Child Tether, AUSTRALIA, Export
	5GX25 RK5AB	1	U				[K5], With Overhead Console, Sunroof, Child Tether, AUSTRALIA, Export
	5GX25 TL2AB	1	U				[AZ], With Overhead Console, Sunroof, Child Tether, AUSTRALIA, Export
	5GE20 TL2AB	1	U				[AZ], With Overhead Console
	5GE20 RK5AB	1	U				[K5], With Overhead Console
	#5HE08 RK5AA	1	U				[K5], With Overhead Console, With Vanity Mirrors, Export
	#5HE08 TL2AA	1	U				[AZ], With Overhead Console, With Vanity Mirrors, Export
	#5HE09 RK5AA	1	U				[K5], With Overhead Console, AUSTRALIA, Export
	#5HE09 TL2AA	1	U				[AZ], With Overhead Console, AUSTRALIA, Export
	5GE19 TL2AB	1	U				[AZ], With Overhead Console, Sunroof
	5GE19 RK5AB	1	U				[K5], With Overhead Console, Sunroof
2							WELT, Headliner
	5FW36 RK5AA	1					[K5]
	5FW36 TL2AA	1					[AZ, L5]
3							RETAINER, Sunroof Welt
	5GD77 RK5AA	1					[K5]
	5GD77 TL2AA	1					[AZ, L5]

JEEP GRAND CHEROKEE (WJ)

SERIES	LINE	BODY	ENGINE	TRANSMISSION
H=Laredo	J = 4WD	74 = 4 Door(105.9 WB)	ER0, ERH = 4.0L, Power Tech I-6	DGK = 4 Speed Autm, 42RE
P=Limited	T = 2WD		EV0, EVA = 4.7L, Power Tech V8	DGW = 4 Speed Automatic, -44RE
	U = 4WD (RHD)		EXA, EX0 = 3.1L, 5 Cyl Turbo Diesel	DG4 = Multi Speed Automatic, -45RFE
				DGO = All Automatic

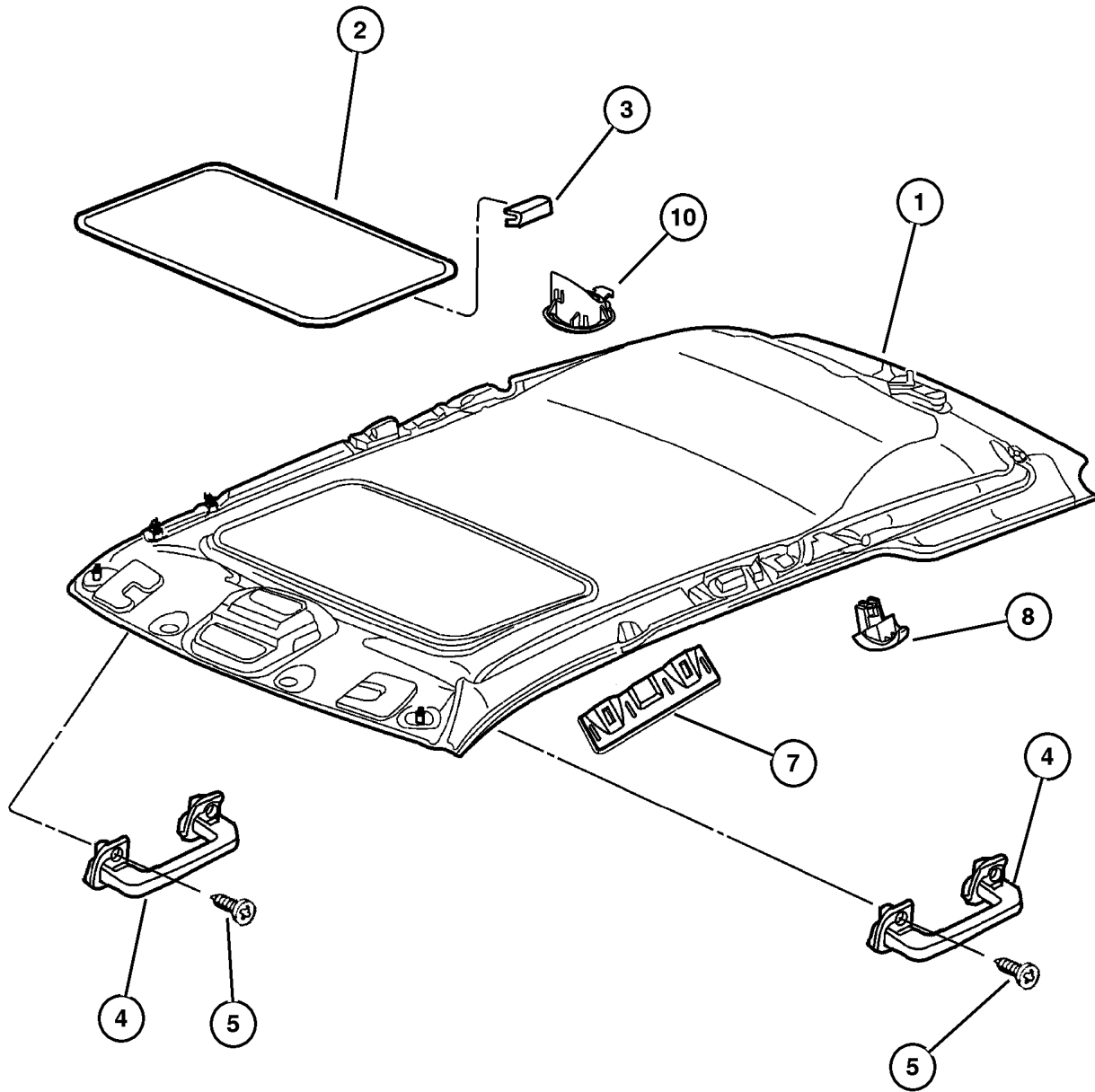
AR = Use as required - = Non illustrated part # = New this model year

April 3, 2002



Headliner and Assist Handle Figure IWJ-110

ITEM	PART NUMBER	QTY	LINE	SERIES	BODY	TRIM	DESCRIPTION
4							HANDLE, Roof Grab
	5FS41 RK5AB	1	J, T				[K5], Front Right
		1	U				[K5], Front Right
	5FS41 TL2AB	1	J, T				[AZ, L5], Front Right
		1	U				[AZ, L5], Front Right
	5FS6 0RK5	1	J, T				[K5], With Lamp, Rear Right
		1	U				[K5], With Lamp, Rear Right
	5FS6 0TL2	1	J, T				[AZ, L5], With Lamp, Rear Right
		1	U				[AZ, L5], With Lamp, Rear Right
	5FS6 1RK5	1	J, T				[K5], With Lamp, Rear Left
		1	U				[K5], With Lamp, Rear Left
	5FS6 1TL2	1	J, T				[AZ, L5], With Lamp, Rear Left
		1	U				[AZ, L5], With Lamp, Rear Left
5							SCREW, .164-18x.75
	6035 324	2	J, T				
		2	U				
-6							CLIP, Z-Axis, Visor & Grab Handle Attach
	5073 251AA	8	U				
		8	J, T				
7	55196 739AB	1	U				BRACKET, Grab Handle, Export
8							HOOK, Coat
	5FS5 2RK5	2	J, T				[K5]
		2	U				[K5]
	5FS5 2TL2	2	J, T				[AZ, L5]
		2	U				[AZ, L5]
-9							CLIP, Headliner Mounting
	5016 132AA	2	J, T				'Z' Clip for Coat Hook Retention
		2	U				'Z' Clip for Coat Hook Retention
10							BEZEL, tether anchor
	5GX26 RK5AA	1	U				[K5], Right
	5GX26 TL2AA	1	U				[AZ], Right
	5GX27 RK5AA	1	U				[K5], Left
	5GX27 TL2AA	1	U				[AZ], Left
-11	55196 862AA	1	J, U				SPACER



JEEP GRAND CHEROKEE (WJ)

SERIES	LINE	BODY	ENGINE	TRANSMISSION
H=Laredo	J = 4WD	74 = 4 Door(105.9 WB)	ER0, ERH = 4.0L, Power Tech I-6	DGK = 4 Speed Autm, 42RE
P=Limited	T = 2WD		EVO, EVA = 4.7L, Power Tech V8	DGW = 4 Speed Automatic, -44RE
	U = 4WD (RHD)		EXA, EX0 = 3.1L, 5 Cyl Turbo Diesel	DG4 = Multi Speed Automatic, -45RFE
				DGO = All Automatic

AR = Use as required - = Non illustrated part # = New this model year

April 3, 2002

Sunvisor Figure IWJ-120

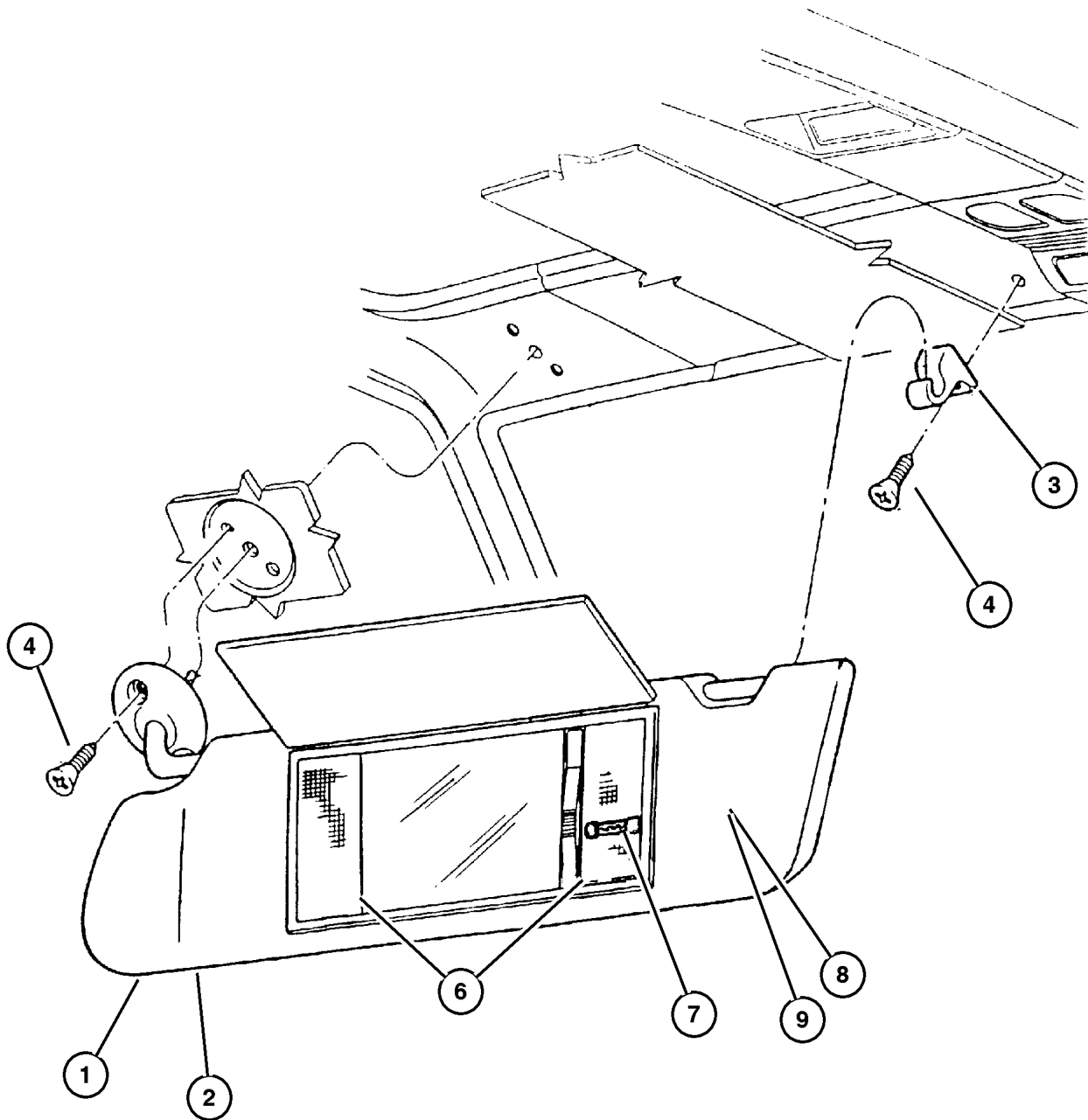
ITEM	PART NUMBER	QTY	LINE	SERIES	BODY	TRIM	DESCRIPTION
1							VISOR, Illuminated
	#5HB42 RK5AA	1	U				[K5], Right
	#5HB42 TL2AA	1	U				[AZ], Right
	#5HB43 RK5AA	1	U				[K5], Left
	#5HB43 TL2AA	1	U				[AZ], Left
	#5HB94 RK5AA	1	J, T				[K5], Right
	#5HB94 TL2AA	1	J, T				[AZ, L5], Right
	#5HB95 RK5AA	1	J, T				[K5], Left
	#5HB95 TL2AA	1	J, T				[AZ, L5], Left
2							VISOR, W/Mirror
	#5HB90 RK5AA	1	U				[K5], Right
	#5HB90 TL2AA	1	U				[AZ], Right
	#5HB91 RK5AA	1	U				[K5], Left
	#5HB91 TL2AA	1	U				[AZ], Left
	#5HB92 RK5AA	1	J, T				[K5], Right
	#5HB92 TL2AA	1	J, T				[AZ, L5], Right
	#5HB93 RK5AA	1	J, T				[K5], Left
	#5HB93 TL2AA	1	J, T				[AZ, L5], Left
3							SUPPORT, Visor
	5FS4 0RK5	2	J, T				[K5]
	5FS4 0TL2	2	J, T				[AZ, L5]
	5GH37 RK5AA	1	J, T				[K5]
		1	U				[K5]
	5GH37 TL2AA	1	J, T				[AZ]
		1	U				[AZ]
4							SCREW, .164-18x.75
	6035 324	2	J, T				
		2	U				
-5							CLIP, Z-Axis, Visor & Grab Handle Attach
	5073 251AA	8	U				
		8	J, T				
6							LENS, Illuminated Visor
	4778 794	1	U				
		1	J, T				
7							BULB, 74
	6501 966	1	J, T				
		1	U				
8	4787 437AA	1	J, T				LABEL, Air Bag Warning, 5-Points, English/French
9							LABEL, Airbag
	55196 784AA	1	J, T				Canada, Closed Body Warning
	55196 783AA	1	J, T				Canada, Bi-Lingual

JEEP GRAND CHEROKEE (WJ)

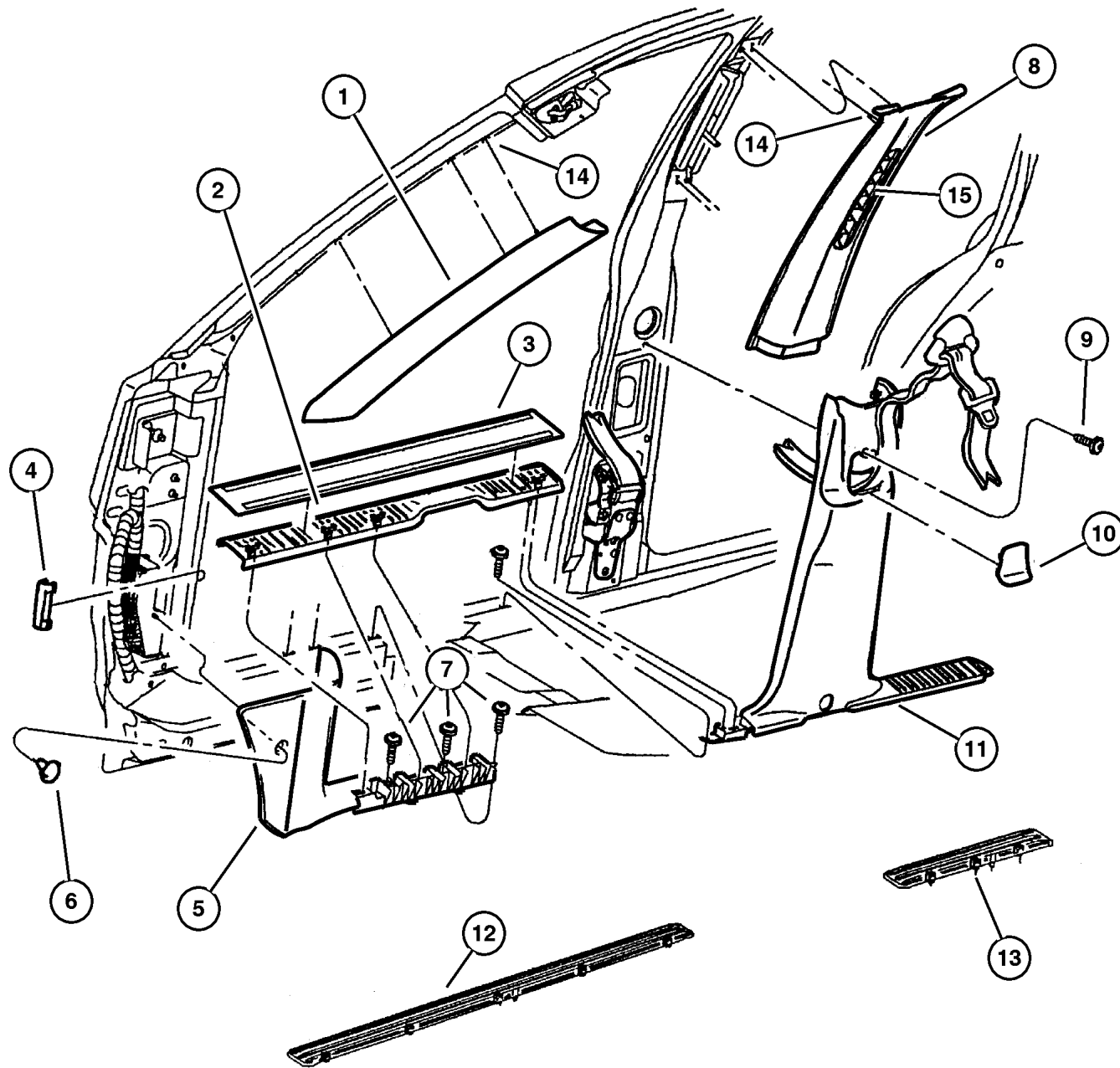
SERIES	LINE	BODY	ENGINE	TRANSMISSION
H=Laredo	J = 4WD	74 = 4 Door(105.9 WB)	ER0, ERH = 4.0L, Power Tech I-6	DGK = 4 Speed Autm, 42RE
P=Limited	T = 2WD		EV0, EVA = 4.7L, Power Tech V8	DGW = 4 Speed Automatic, -44RE
	U = 4WD (RHD)		EXA, EX0 = 3.1L, 5 Cyl Turbo Diesel	DG4 = Multi Speed Automatic, -45RFE
				DGO = All Automatic

AR = Use as required - = Non illustrated part # = New this model year

April 3, 2002



Front Trim Panels and Scuff Plates
Figure IWJ-210



ITEM	PART NUMBER	QTY	LINE	SERIES	BODY	TRIM	DESCRIPTION
1							MOLDING, Windshield Garnish
	5FA52 LAZAD	1					[AZ], Right
	5FA52 VK9AD	1					[K5], Right
	5FA52 WL8AD	1					[L5], Right
	5FA53 LAZAD	1					[AZ], Left
	5FA53 VK9AD	1					[K5], Left
	5FA53 WL8AD	1					[L5], Left
2							SILL COVER, Interior
	5FX10 LAZAA	1					[AZ], Right
	5FX10 RK5AA	1					[K5], Right
	5FX10 WL5AA	1					[L5], Right
	5FX11 LAZAA	1					[AZ], Left
	5FX11 RK5AA	1					[K5], Left
	5FX11 WL5AA	1					[L5], Left
3							PROTECTOR, Door Opening, (NOT SERVICED)
4	55196 878AA	2					CLIP, Trim Panel
5							PANEL, Cowl
	5GE26 LAZAC	1	U				[AZ], Right
	5GE26 RK5AC	1	U				[K5], Right
	5GE27 LAZAB	1	U				[AZ], Left
	5GE27 RK5AB	1	U				[K5], Left
	5FA60 LAZAD	1	J, T				[AZ], Right
	5FA60 RK5AD	1	J, T				[K5], Right
	5FA60 WL5AD	1	J, T				[L5], Right
	5FA61 LAZAC	1	J, T				[AZ], Left
	5FA61 RK5AC	1	J, T				[K5], Left
	5FA61 WL5AD	1	J, T				[L5], Left
6	6503 339	2					NUT, Plastic
7							SCREW, .164-18x.625, (NOT SERVICED)
8							PANEL, B Pillar
	5FA56 LAZAB	1					[AZ], Upper,Right
	5FA56 RK5AB	1					[K5], Upper,Right
	5FA56 WL5AB	1					[L5], Upper,Right
	5FA57 LAZAB	1					[AZ], Upper,Left
	5FA57 RK5AB	1					[K5], Upper,Left
	5FA57 WL5AB	1					[L5], Upper,Left
9	6032 723	2					SCREW, Self Tapping, M4.2x1.69x19.05
10							COVER, B Pillar Trim Panel
	5FP8 6LAZ	2					[AZ]
	5FP8 6RK5	2					[K5]
	5FP8 6WL5	2					[L5]
11							PANEL, B Pillar Lower Trim
	5FW54 LAZAA	1					[AZ], Right

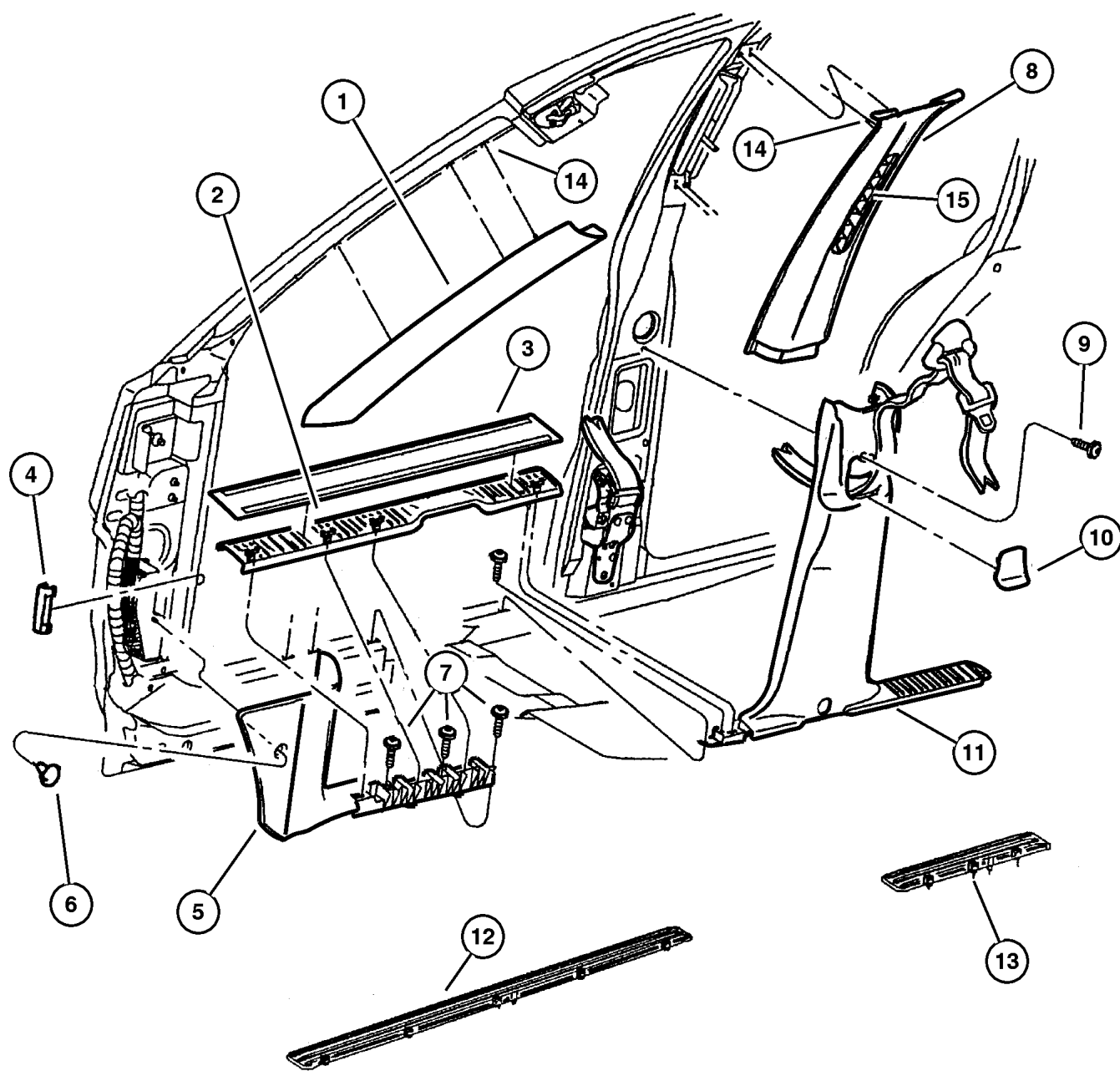
JEEP GRAND CHEROKEE (WJ)

SERIES	LINE	BODY	ENGINE	TRANSMISSION
H=Laredo	J = 4WD	74 = 4 Door(105.9 WB)	ER0, ERH = 4.0L, Power Tech I-6	DGK = 4 Speed Autm, 42RE
P=Limited	T = 2WD		EV0, EVA = 4.7L, Power Tech V8	DGW = 4 Speed Automatic, -44RE
	U = 4WD (RHD)		EXA, EX0 = 3.1L, 5 Cyl Turbo Diesel	DG4 = Multi Speed Automatic, -45RFE
				DGO = All Automatic

AR = Use as required - = Non illustrated part # = New this model year

April 3, 2002

Front Trim Panels and Scuff Plates
Figure IWJ-210



ITEM	PART NUMBER	QTY	LINE	SERIES	BODY	TRIM	DESCRIPTION
	5FW54 RK5AA	1					[K5], Right
	5FW54 WL5AA	1					[L5], Right
	5FW55 LAZAA	1					[AZ], Left
	5FW55 RK5AA	1					[K5], Left
	5FW55 WL5AA	1					[L5], Left
12	5GH22 DX9AA	2					PLATE, Front Door Scuff
13	5GH23 DX9AA	2					PLATE, Rear Door Scuff
14	5521 4846	2		H			CLIP, Trim Panel
15							ADJUSTER, Seat Belt Turning Loop, Slider, Also serviced in B Trim Panel, Item #8
	5FS1 9LAZ	1					[AZ]
	5FS1 9RK5	1					[K5]
	5FS1 9WL5	1					[L5]

JEEP GRAND CHEROKEE (WJ)

SERIES	LINE	BODY	ENGINE	TRANSMISSION
H=Laredo	J = 4WD	74 = 4 Door(105.9 WB)	ER0, ERH = 4.0L, Power Tech I-6	DGK = 4 Speed Autm, 42RE
P=Limited	T = 2WD		EVO, EVA = 4.7L, Power Tech V8	DGW = 4 Speed Automatic, -44RE
	U = 4WD (RHD)		EXA, EX0 = 3.1L, 5 Cyl Turbo Diesel	DG4 = Multi Speed Automatic, -45RFE
				DGO = All Automatic

AR = Use as required - = Non illustrated part # = New this model year

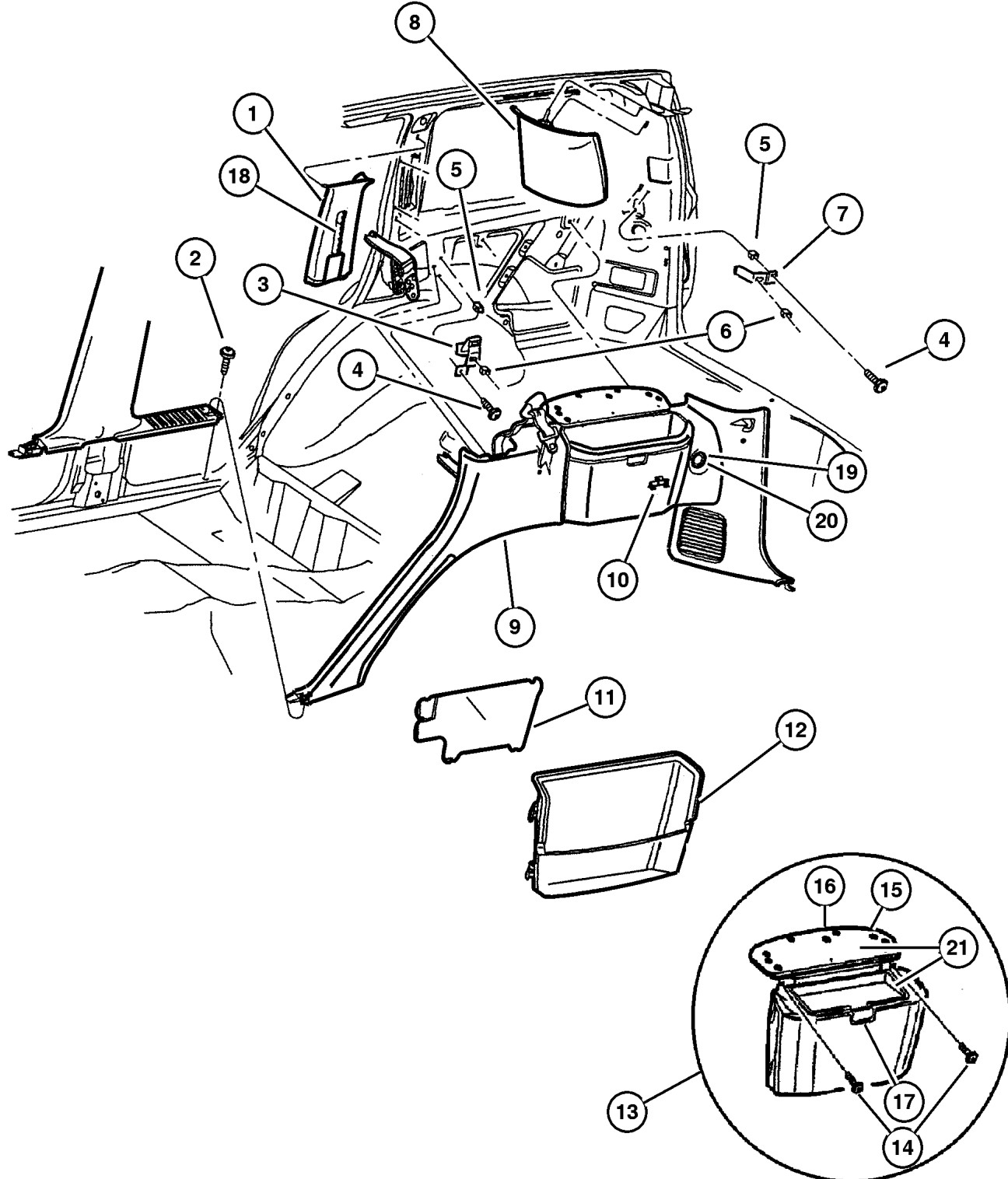
April 3, 2002

Rear Trim Panels
Figure IWJ-220

ITEM	PART NUMBER	QTY	LINE	SERIES	BODY	TRIM	DESCRIPTION
1							PANEL, C Pillar
	5FA78 LAZAC	1					[AZ], Upper,Right
	5FA78 RK5AC	1					[K5], Upper,Right
	5FA78 WL5AC	1					[L5], Upper,Right
	5FA79 LAZAC	1					[AZ], Upper,Left
	5FA79 RK5AC	1					[K5], Upper,Left
	5FA79 WL5AC	1					[L5], Upper,Left
2							SCREW, .164-18x.625, (NOT SERVICED)
3	55196 742AB	2					BRACKET, Quarter Trim, Front
4	0154 806	2					SCREW, Round Head, .164-15x1.00
5	6035 498	2					NUT, Spring Type, .164-7.5
6	6035 773	2					NUT
7	55196 744AB	2					BRACKET, Quarter Trim, Rear
8							PANEL, D Pillar Trim
	5FA72 LAZAB	1					[AZ], Right
	5FA72 RK5AB	1					[K5], Right
	5FA72 WL5AB	1					[L5], Right
	5FA73 LAZAB	1					[AZ], Left
	5FA73 RK5AB	1					[K5], Left
	5FA73 WL5AB	1					[L5], Left
9							PANEL, Quarter Trim
	5FA62 1AZAD	1					[AZ], Right
	5FA62 1K5AD	1					[K5], Right
	5FA62 1L5AD	1					[L5], Right
	5FA63 LAZAC	1					[AZ], Left
	5FA63 RK5AC	1					[K5], Left
	5FA63 WL5AC	1					[L5], Left
10	#55215 609AB	4					LOOP, Cargo Tie Down
11							COVER, Bolt
	5FY38 LAZAA	1		P			[AZ]
	5FY38 RK5AA	1		P			[K5]
	5FY38 WL5AA	1		P			[L5]
12							BIN, Storage
	5FS1 4LAZ	1		H			[AZ], Cover
	5FS1 4RK5	1		H			[K5], Cover
	5FS1 4WL5	1		H			[L5], Cover
13							BIN, Storage
	5FW37 1AZAC	1		P			[AZ], Quarter Panel
	5FW37 1K5AC	1		P			[K5], Quarter Panel
	5FW37 1L5AC	1		P			[L5], Quarter Panel
14							SCREW, .164-15X.500~~, (NOT SERVICED)
15	4754 478	4		P			BUMPER, Armrest Lid
16							DOOR

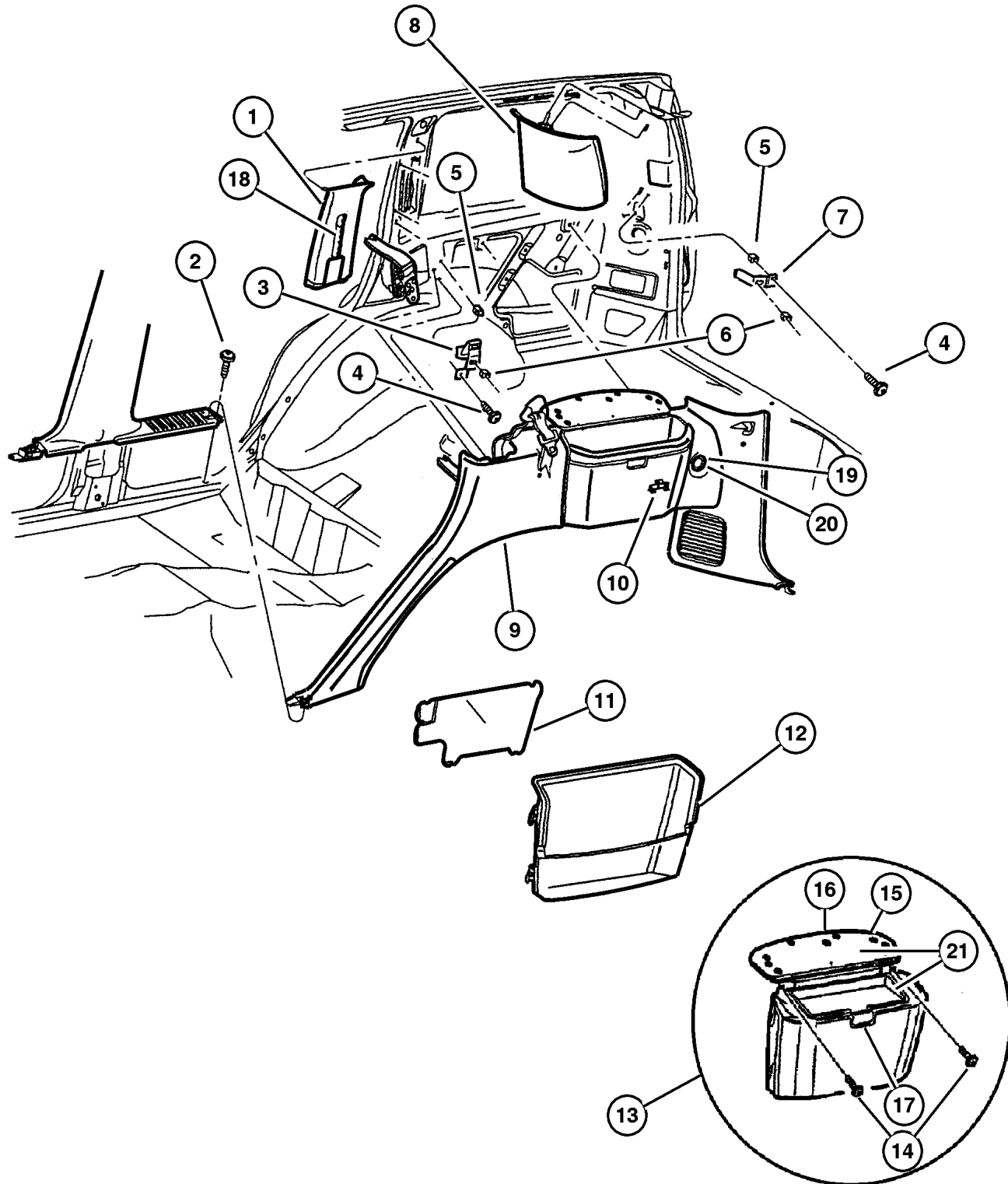
JEEP GRAND CHEROKEE (WJ)

SERIES	LINE	BODY	ENGINE	TRANSMISSION
H=Laredo	J = 4WD	74 = 4 Door(105.9 WB)	ER0, ERH = 4.0L, Power Tech I-6	DGK = 4 Speed Autm, 42RE
P=Limited	T = 2WD		EV0, EVA = 4.7L, Power Tech V8	DGW = 4 Speed Automatic, -44RE
	U = 4WD (RHD)		EXA, EX0 = 3.1L, 5 Cyl Turbo Diesel	DG4 = Multi Speed Automatic, -45RFE
				DGO = All Automatic



Rear Trim Panels
Figure IWJ-220

ITEM	PART NUMBER	QTY	LINE	SERIES	BODY	TRIM	DESCRIPTION
	5FS2 0LAZ	1		P			[AZ]
	5FS2 0RK5	1		P			[K5]
	5FS2 0WL5	1		P			[L5]
17	5519 6620	1		P			LATCH, Storage Bin Lid
18							ADJUSTER, Seat Belt Turning Loop, Sider, Also sevised in Item #1
	5FS1 9LAZ	1					[AZ]
	5FS1 9RK5	1					[K5]
	5FS1 9WL5	1					[L5]
19	4685 591	1					CAP, Cigar Lighter, Power Outlet, Rear
20	HX32 DX9AB	1					PLUG, 12 V-Outlet
21	5FS21 DX9AC	1		H			LID, Storage Bin



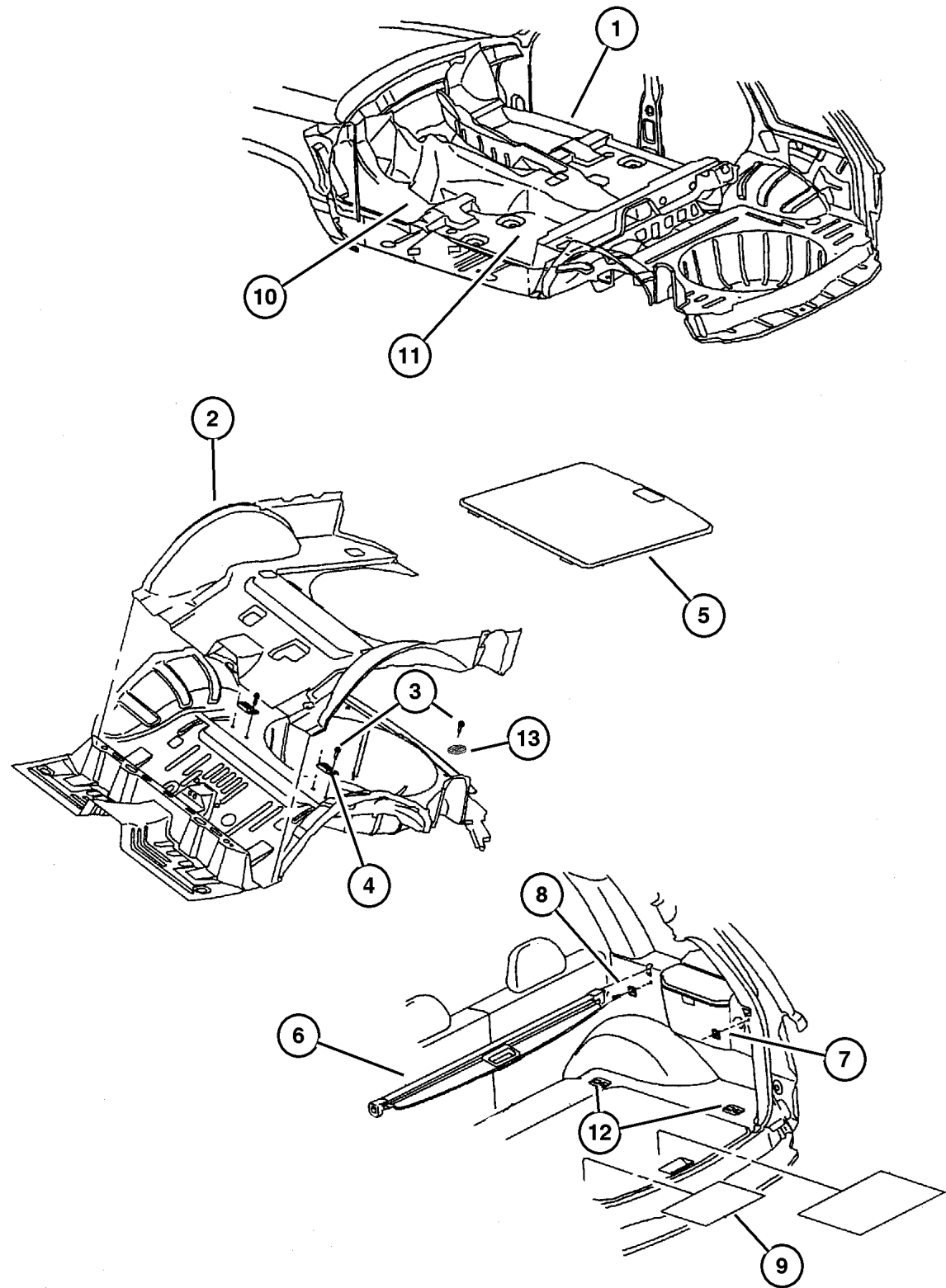
JEEP GRAND CHEROKEE (WJ)

SERIES	LINE	BODY	ENGINE	TRANSMISSION
H=Laredo	J = 4WD	74 = 4 Door(105.9 WB)	ER0, ERH = 4.0L, Power Tech I-6	DGK = 4 Speed Autm, 42RE
P=Limited	T = 2WD		EV0, EVA = 4.7L, Power Tech V8	DGW = 4 Speed Automatic, -44RE
	U = 4WD (RHD)		EXA, EX0 = 3.1L, 5 Cyl Turbo Diesel	DG4 = Multi Speed Automatic, -45RFE
				DGO = All Automatic

AR = Use as required - = Non illustrated part # = New this model year

April 3, 2002

**Carpet and Insulation
Figure IWJ-310**



ITEM	PART NUMBER	QTY	LINE	SERIES	BODY	TRIM	DESCRIPTION
1							CARPET, Front Floor
	5FA2 0LAZ	1	U				[AZ], Export
	5FA2 0VK9	1	U				[K5], Export
	5GC66 LAZAA	1	J, T				[AZ], Export
	5GC66 VK9AA	1	J, T				[K5], Export
	5FA14 LAZAC	1	J, T				[AZ]
	5FA14 VK9AC	1	J, T				[K5]
	5FA14 WL8AC	1	J, T				[L5]
2							CARPET, Cargo Floor
	5FS70 LAZAC	1	J, T				[AZ]
	5FS70 VK9AC	1	J, T				[K5]
	5FS70 WL8AC	1	J, T				[L5]
	5GA92 LAZAB	1					[AZ], Export
	5GA92 VK9AB	1					[K5], Export
3	6035 122	8					RIVET, .187x.70 Black
4	55196 748AA	2					BRACKET, Spare Tire
5							COVER, Spare Tire
	5FS83 1AZAC	1	J, T				Black&Agate
	5FS83 1K9AC	1	J, T				Black&Medium Camel
	5FS83 1L8AC	1	J, T				Black&Taupe
	5GA93 1AZAB	1					Black&Agate, Export
	5GA93 1K9AB	1					Black&Medium Camel, Export
6							COVER, Cargo Compartment
	5FS2 71AZ	1					Black&Agate
	5FS2 71K5	1					Black&Medium Camel
	5FS2 71L5	1					Black&Taupe
7	#55215 609AB	4					LOOP, Cargo Tie Down
8							SCREW, .164-18x1.625, (NOT SERVICED)
9	55196 839AB	1					NET, Cargo
10							MAT KIT, Floor - Front
	8220 4409	1	J, T				[AZ], Carpeted With Jeep Logo
	8220 4410	1	J, T				[L5], Carpeted With Jeep Logo
	8220 4411	1	J, T				[K5], Carpeted With Jeep Logo
	8220 5434	1					Black Rubber, Left Hand Drive,Export
	8220 5435	1					Black Rubber, Right Hand Drive,Export
	8220 4400	1	J, T	H, P	74		[AZ], Black Rubber
	8220 4401	1	J, T	H, P	74		[K5], Black Rubber
	8220 4402	1	J, T	H, P	74		[L5], Black Rubber
	8220 4570	1	J, T	H, P	74		[AZ], Carpeted
	8220 4571	1	J, T	H, P	74		[L5], Carpeted
	8220 4572	1	J, T	H, P	74		[K5], Carpeted
11							MAT KIT, Floor - Rear

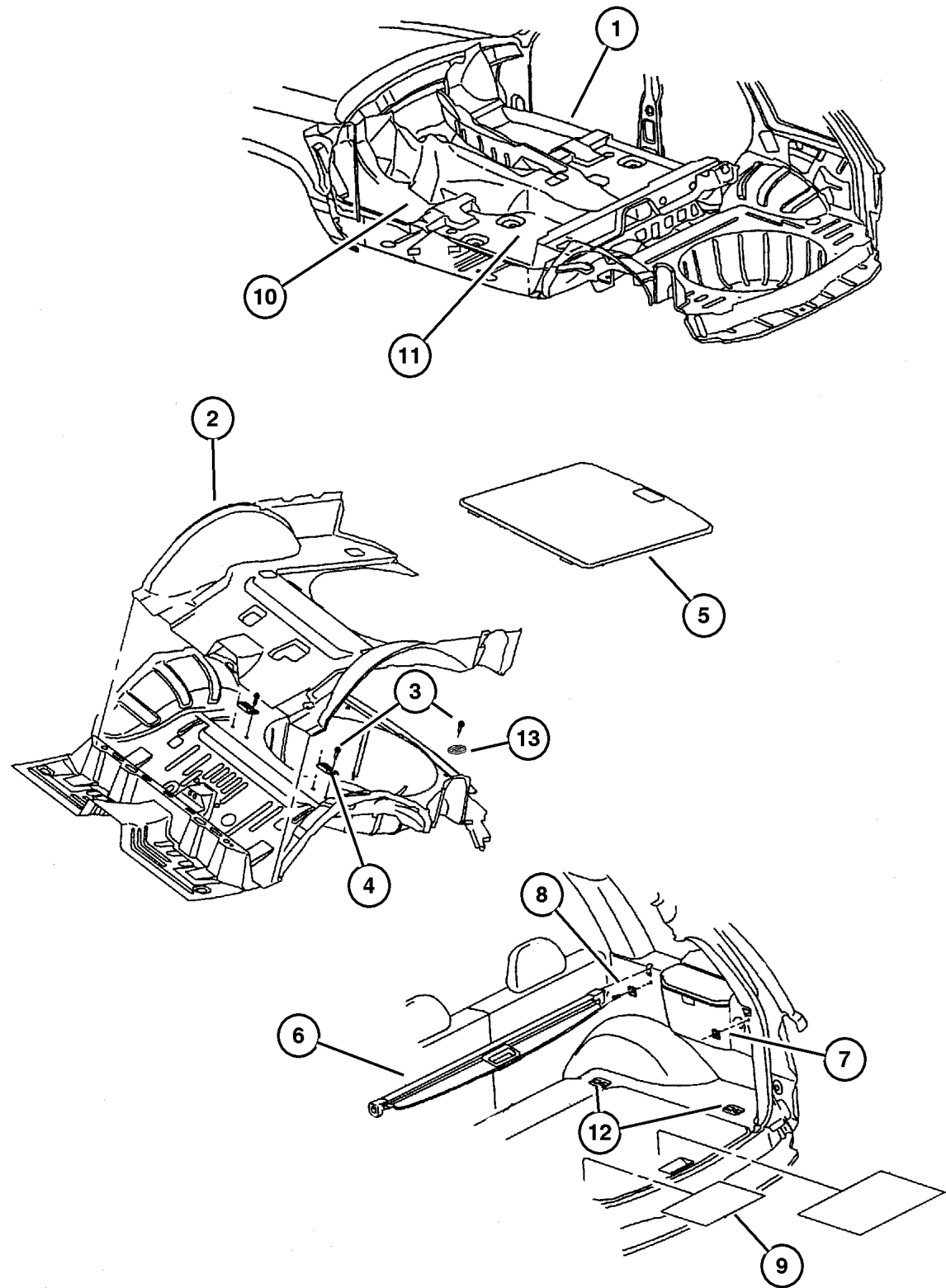
JEEP GRAND CHEROKEE (WJ)

SERIES	LINE	BODY	ENGINE	TRANSMISSION
H=Laredo	J = 4WD	74 = 4 Door(105.9 WB)	ER0, ERH = 4.0L, Power Tech I-6	DGK = 4 Speed Autm, 42RE
P=Limited	T = 2WD		EVO, EVA = 4.7L, Power Tech V8	DGW = 4 Speed Automatic, -44RE
	U = 4WD (RHD)		EXA, EX0 = 3.1L, 5 Cyl Turbo Diesel	DG4 = Multi Speed Automatic, -45RFE
				DGO = All Automatic

AR = Use as required - = Non illustrated part # = New this model year

April 3, 2002

Carpet and Insulation
Figure IWJ-310



ITEM	PART NUMBER	QTY	LINE	SERIES	BODY	TRIM	DESCRIPTION
	8220 4412	1	J, T				[AZ], Carpeted With Jeep Logo ~~
	8220 4414	1	J, T				[L5], Carpeted With Jeep Logo
	8220 4413	1	J, T	H, P	74		[K5], Carpeted With Jeep Logo
	8220 3303	1	J, T	H, P	74		[AZ], Black Rubber
	8220 4404	1	J, T	H, P	74		[K5], Black Rubber
	8220 4405	1	J, T	H, P	74		[L5], Black Rubber
	8220 4573	1	J, T	H, P	74		[AZ], Carpeted
	8220 4574	1	J, T	H, P	74		[L5], Carpeted
	8220 4575	1	J, T	H, P	74		[K5], Carpeted
12	5015 592AA	4	J, T				LOOP, Cargo Tie Down
13	55196 832AA	2					RETAINER, Dual Lock
-14							CLIP, Carpet
	55196 834AA	1	U				
		1	J, T				

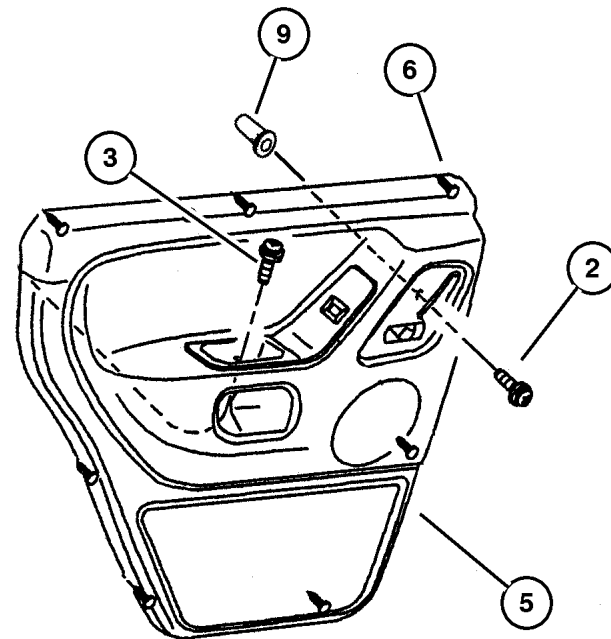
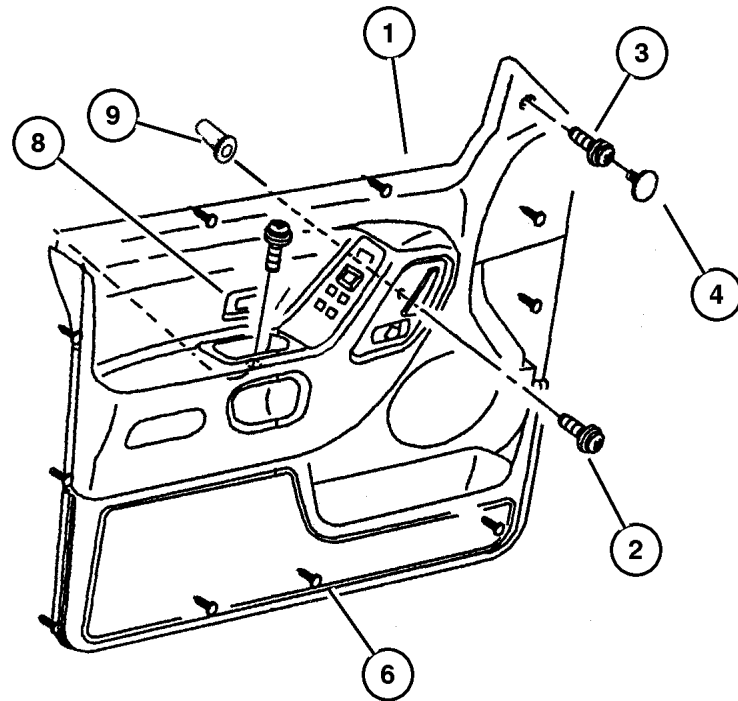
JEEP GRAND CHEROKEE (WJ)

SERIES	LINE	BODY	ENGINE	TRANSMISSION
H=Laredo	J = 4WD	74 = 4 Door(105.9 WB)	ER0, ERH = 4.0L, Power Tech I-6	DGK = 4 Speed Autm, 42RE
P=Limited	T = 2WD		EVO, EVA = 4.7L, Power Tech V8	DGW = 4 Speed Automatic, -44RE
	U = 4WD (RHD)		EXA, EX0 = 3.1L, 5 Cyl Turbo Diesel	DG4 = Multi Speed Automatic, -45RFE
				DGO = All Automatic

AR = Use as required - = Non illustrated part # = New this model year

April 3, 2002

Door Trim Panels
Figure IWJ-410



ITEM	PART NUMBER	QTY	LINE	SERIES	BODY	TRIM	DESCRIPTION
1							PANEL, Front Door Trim
	#TL76 1AZAA	1	J, T	P			[AZ], Limited, Right
	#TL76 1K5AA	1	J, T	P			[K5], Limited, Right
	#TL76 1L5AA	1	J, T	P			[L5], Limited, Right
	#TL77 1AZAA	1	J, T	P			[AZ], Limited, Left
	#TL77 1K5AA	1	J, T	P			[K5], Limited, Left
	#TL77 1L5AA	1	J, T	P			[L5], Limited, Left
	#TL78 1AZAA	1	U	P			[AZ], Limited, Right
	#TL78 1K5AA	1	U	P			[K5], Limited, Right
	#TL79 1AZAA	1	U	P			[AZ], Limited, Left
	#TL79 1K5AA	1	U	P			[K5], Limited, Left
	#TM02 1AZAA	1	J, T	H			[AZ], Laredo, Without Infinity, Right
	#TM02 1K5AA	1	J, T	H			[K5], Laredo, Without Infinity, Right
	#TM02 1L5AA	1	J, T	H			[L5], Laredo, Without Infinity, Right
	#TM03 1AZAA	1	J, T	H			[AZ], Laredo, Without Infinity, Left
	#TM03 1K5AA	1	J, T	H			[K5], Laredo, Without Infinity, Left
	#TM03 1L5AA	1	J, T	H			[L5], Laredo, Without Infinity, Left
	#TM04 1AZAA	1	J, T	H			[AZ], Laredo, With Infinity, Right
	#TM04 1K5AA	1	J, T	H			[K5], Laredo, With Infinity, Right
	#TM04 1L5AA	1	J, T	H			[L5], Laredo, With Infinity, Right
	#TM05 1AZAA	1	J, T	H			[AZ], Laredo, With Infinity, Left
	#TM05 1K5AA	1	J, T	H			[K5], Laredo, With Infinity, Left
	#TM05 1L5AA	1	J, T	H			[L5], Laredo, With Infinity, Left
	#TM06 1AZAA	1	U	H			[AZ], Right
	#TM06 1K5AA	1	U	H			[K5], Right
	#TM07 1AZAA	1	U	H			[AZ], Left
	#TM07 1K5AA	1	U	H			[K5], Left
2							SCREW, M5X0.8X16.00~~, (NOT SERVICED)
3	6032 723	4					SCREW, Self Tapping, M4.2x1.69x19.05
4							PLUG, Door Trim Panel
	5FC1 1LAZ	2					[AZ]
	5FC1 1VK9	2					[K5]
	5FC1 1WL8	2					[L5]
5							PANEL, Rear Door Trim
	#TL74 1AZAA	1		P			[AZ], Right
	#TL74 1K5AA	1		P			[K5], Right
	#TL74 1L5AA	1		P			[L5], Right
	#TL75 1AZAA	1		P			[AZ], Left
	#TL75 1K5AA	1		P			[K5], Left
	#TL75 1L5AA	1		P			[L5], Left
	#TM08 1AZAA	1		H			[AZ], Right
	#TM08 1K5AA	1		H			[K5], Right

JEEP GRAND CHEROKEE (WJ)

SERIES
H=Laredo
P=Limited

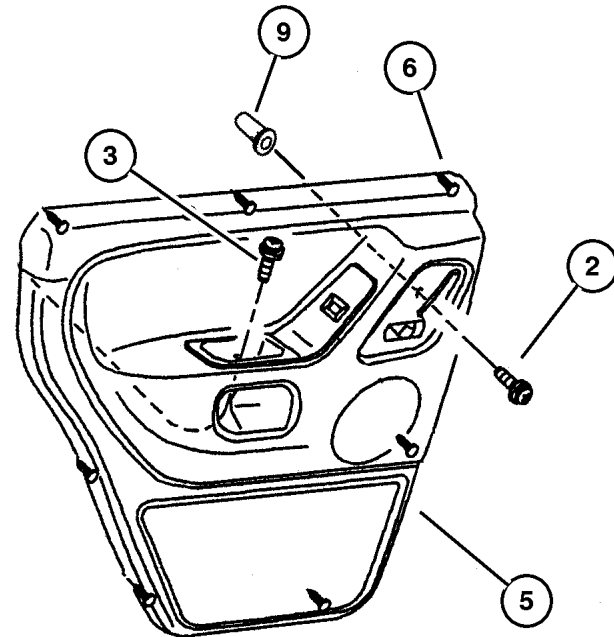
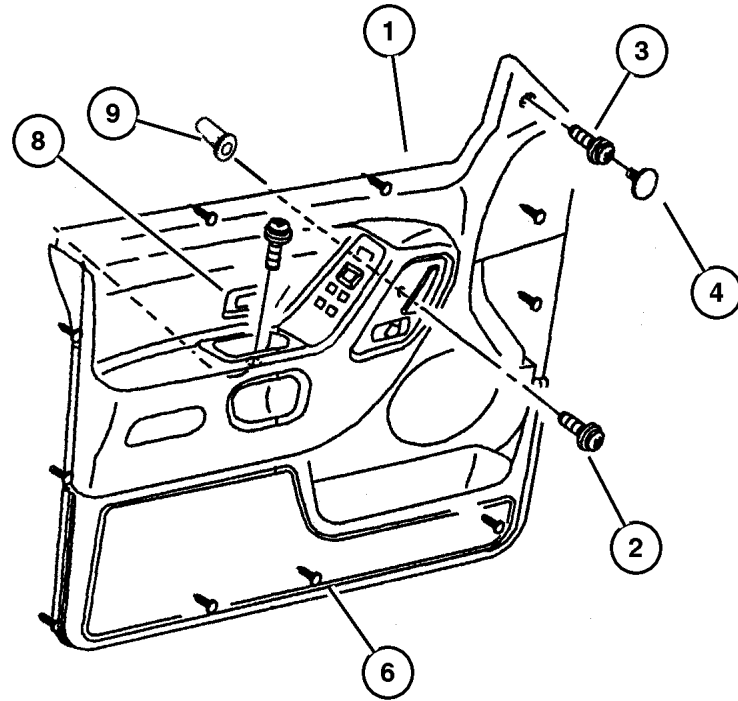
LINE
J = 4WD
T = 2WD
U = 4WD (RHD)

BODY
74 = 4 Door(105.9 WB)

ENGINE
ER0, ERH = 4.0L, Power Tech I-6
EV0, EVA = 4.7L, Power Tech V8
EXA, EX0 = 3.1L, 5 Cyl Turbo Diesel

TRANSMISSION
DGK = 4 Speed Autm, 42RE
DGW = 4 Speed Automatic,
-44RE
DG4 = Multi Speed Automatic,
-45RFE
DGO = All Automatic

Door Trim Panels
Figure IWJ-410



ITEM	PART NUMBER	QTY	LINE	SERIES	BODY	TRIM	DESCRIPTION
	#TM08 1L5AA	1		H			[L5], Right
	#TM09 1AZAA	1		H			[AZ], Left
	#TM09 1K5AA	1		H			[K5], Left
	#TM09 1L5AA	1		H			[L5], Left
6							FASTENER, Door Trim Panel
	6505 539AA	9		H			Rear Door
		9		P			Rear Door
		11		H			Front Door
		11		P			Front Door
-7							RETAINER, Trim Panel, Pin portion of 6505539AA
	5012 874AA	9		P			Rear Door
		11	J, T	P			Front Door
		11	U	P			Front Door
		11	J, T	H			Front Door
		11	U	H			Front Door
		9		H			Rear Door
8							BEZEL, Door Trim Panel
	5012 956AA	1	J, T	P			Memory Switch, Driver
		1	J, T	H			Memory Switch, Driver
	5012 957AA	1	U	H			Memory Switch, Driver
		1	U	P			Memory Switch, Driver
9							NUT
	#6505 201AA	2					
		2		P			

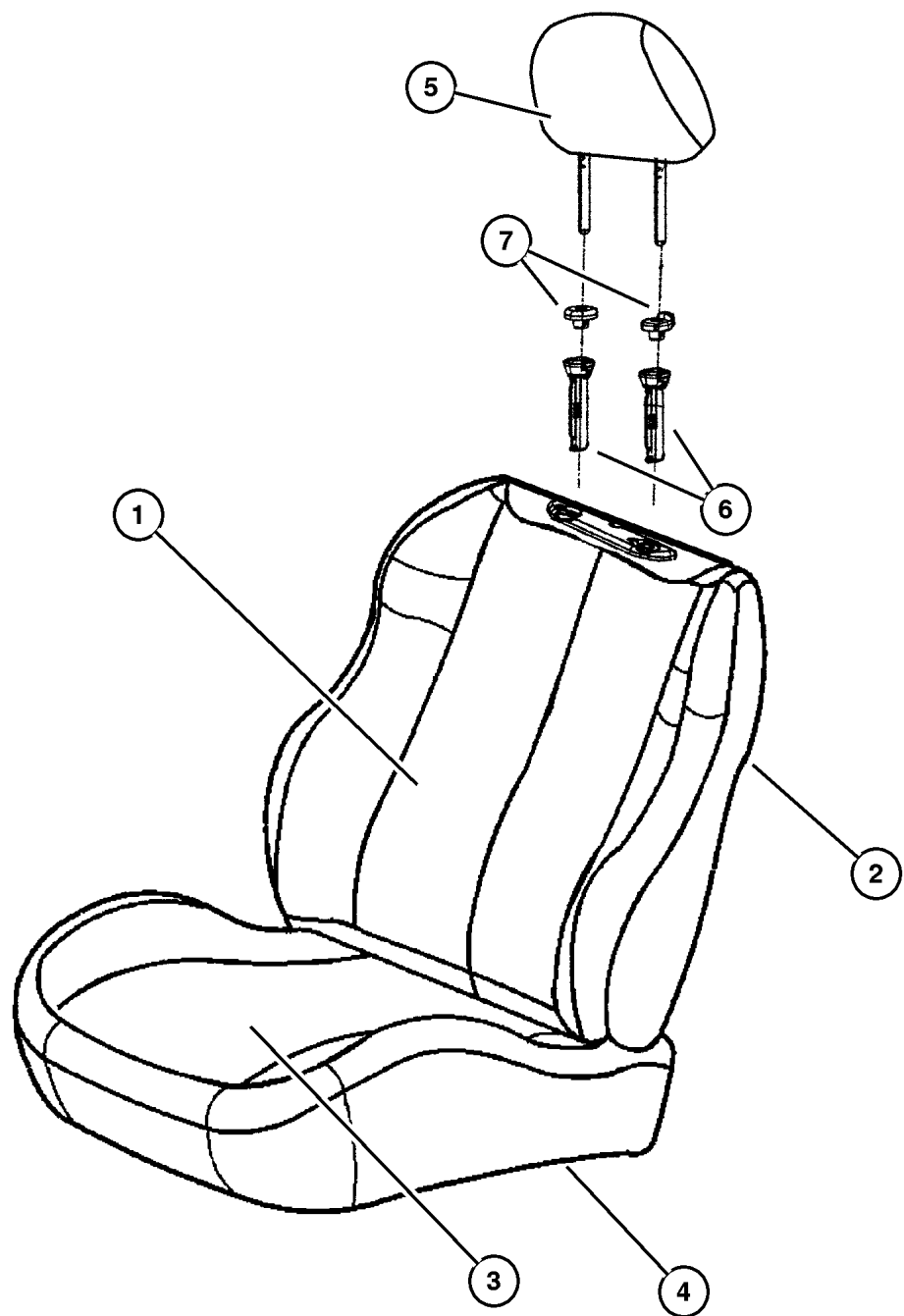
JEEP GRAND CHEROKEE (WJ)

SERIES	LINE	BODY	ENGINE	TRANSMISSION
H=Laredo	J = 4WD	74 = 4 Door(105.9 WB)	ER0, ERH = 4.0L, Power Tech I-6	DGK = 4 Speed Autm, 42RE
P=Limited	T = 2WD		EVO, EVA = 4.7L, Power Tech V8	DGW = 4 Speed Automatic, -44RE
	U = 4WD (RHD)		EXA, EX0 = 3.1L, 5 Cyl Turbo Diesel	DG4 = Multi Speed Automatic, -45RFE
				DGO = All Automatic

AR = Use as required - = Non illustrated part # = New this model year

April 3, 2002

Front Seat, Cloth, Trim Code [H7]
Figure IWJ-510



ITEM	PART NUMBER	QTY	LINE	SERIES	BODY	TRIM	DESCRIPTION
1							COVER, Front Seat Back
	SK31 1L5AA	2	J, T			H7	[L5]
	SK31 1K5AA	2	J, T			H7	[K5]
	SK31 1AZAA	2	J, T			H7	[AZ]
		2	U			H7	[AZ]
	SK31 1K5AA	2	U			H7	[K5]
2							BACK, Front Seat
	SK40 1AZAA	1	U			H7	[AZ], Right
		1	J, T			H7	[AZ], Right
	SK40 1K5AA	1	J, T			H7	[K5], Right
		1	U			H7	[K5], Right
	SK40 1L5AA	1	J, T			H7	[L5], Right
	SK41 1AZAA	1	J, T			H7	[AZ], Left
		1	U			H7	[AZ], Left
	SK41 1K5AA	1	J, T			H7	[K5], Left
		1	U			H7	[K5], Left
	SK41 1L5AA	1	J, T			H7	[L5], Left
3							COVER AND PAD, Cushion
	SK38 1AZAA	1	J, T			H7	[AZ], Up to 1-17-00, Right
		1	U			H7	[AZ], Up to 1-17-00, Right
	SK38 1K5AA	1	U			H7	[K5], Up to 1-17-00, Right
		1	J, T			H7	[K5], Up to 1-17-00, Right
	SK38 1L5AA	1	J, T			H7	[L5], Up to 1-17-00, Right
	SK39 1AZAA	1	J, T			H7	[AZ], Up to 1-17-00, Left
		1	U			H7	[AZ], Up to 1-17-00, Left
	SK39 1K5AA	1	J, T			H7	[K5], Up to 1-17-00, Left
		1	U			H7	[K5], Up to 1-17-00, Left
	SK39 1L5AA	1	J, T			H7	[L5], Up to 1-17-00, Left
	#TY72 1AZAA	1	J, T			H7	[AZ], After 1-17-00, Right
		1	U			H7	[AZ], After 1-17-00, Right
	#TY72 1K5AA	1	J, T			H7	[K5], After 1-17-00, Right
		1	U			H7	[K5], After 1-17-00, Right
	#TY72 1L5AA	1	J, T			H7	[L5], After 1-17-00, Right
	#TY73 1AZAA	1	J, T			H7	[AZ], After 1-17-00, Left
		1	U			H7	[AZ], After 1-17-00, Left
	#TY73 1K5AA	1	J, T			H7	[K5], After 1-17-00, Left
		1	U			H7	[K5], After 1-17-00, Left
	#TY73 1L5AA	1	J, T			H7	[L5], After 1-17-00, Left
4							FRAME, Front Seat
	4856 470	1	U			H7	Right
		1	J, T			H7	Right
	4856 471	1	J, T			H7	Left

JEEP GRAND CHEROKEE (WJ)

SERIES
H=Laredo
P=Limited

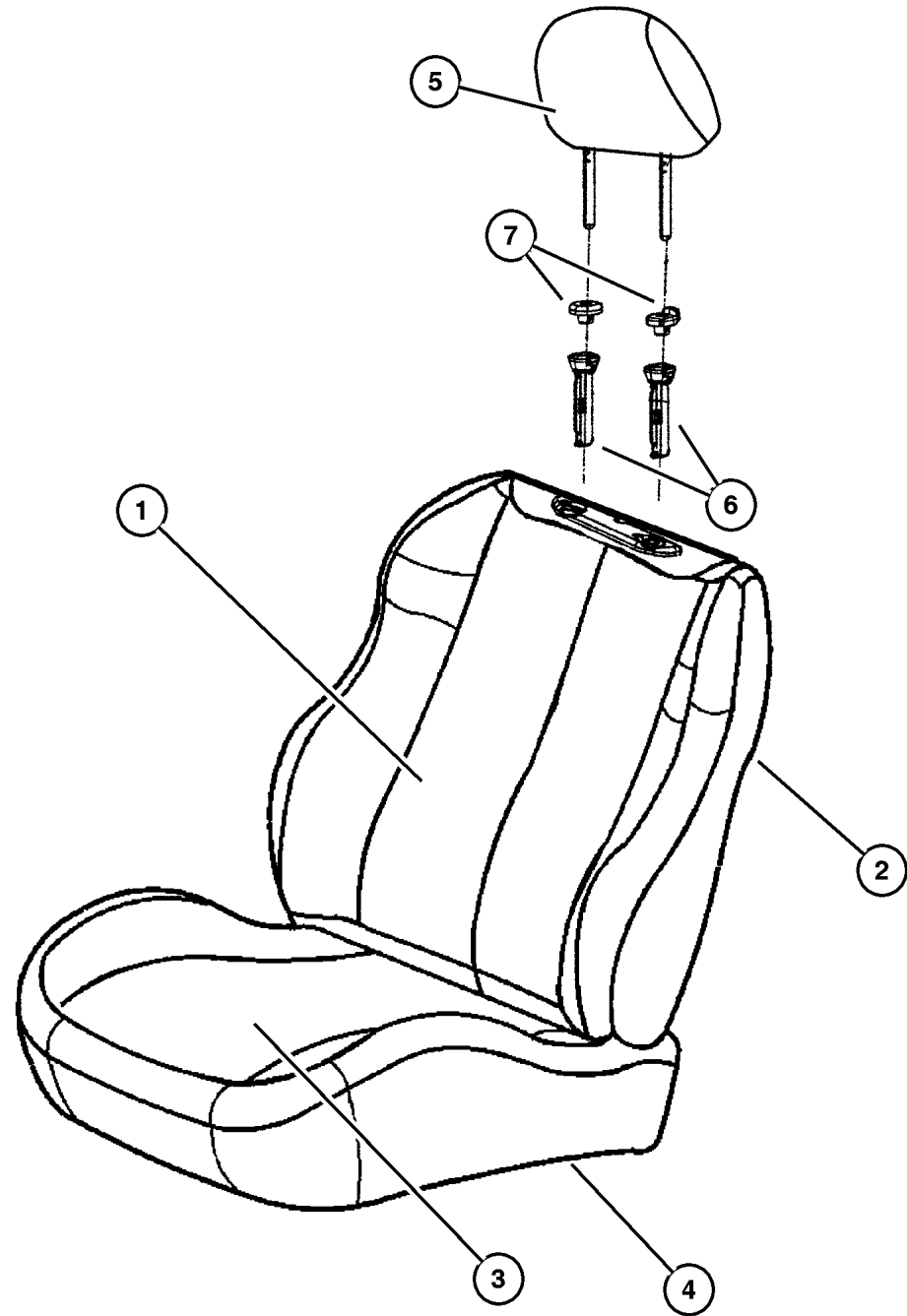
LINE
J = 4WD
T = 2WD
U = 4WD (RHD)

BODY
74 = 4 Door(105.9 WB)

ENGINE
ER0, ERH = 4.0L, Power Tech I-6
EV0, EVA = 4.7L, Power Tech V8
EXA, EX0 = 3.1L, 5 Cyl Turbo Diesel

TRANSMISSION
DGK = 4 Speed Autm, 42RE
DGW = 4 Speed Automatic,
-44RE
DG4 = Multi Speed Automatic,
-45RFE
DGO = All Automatic

Front Seat, Cloth, Trim Code [H7]
Figure IWJ-510



ITEM	PART NUMBER	QTY	LINE	SERIES	BODY	TRIM	DESCRIPTION
		1	U			H7	Left
5							HEADREST, Front
	TH69 1AZAA	2	J, T			H7	[AZ]
	TH69 1K5AA	2	J, T			H7	[K5]
	TH69 1L5AA	2	J, T			H7	[L5]
	TH79 1AZAA	2	U			H7	[AZ]
		2	J, T			H7	[AZ], Export
	TH79 1K5AA	2	U			H7	[K5]
		2	J, T			H7	[K5], Export
6							CYLINDER, Headrest
	5013 152AA	1	J, T			H7	
		1	U			H7	
7							COVER, Headrest Sleeve
	5013 163AA	1	J, T			H7	Non-Locking
	5013 172AA	1	J, T			H7	Locking
	5013 163AA	1	U			H7	Non-Locking
	5013 172AA	4	U			H7	Locking
-8	4740 415	1					EXTENDER, Seat Belt
-9							COVER, Seat latch, (NOT SERVICED)

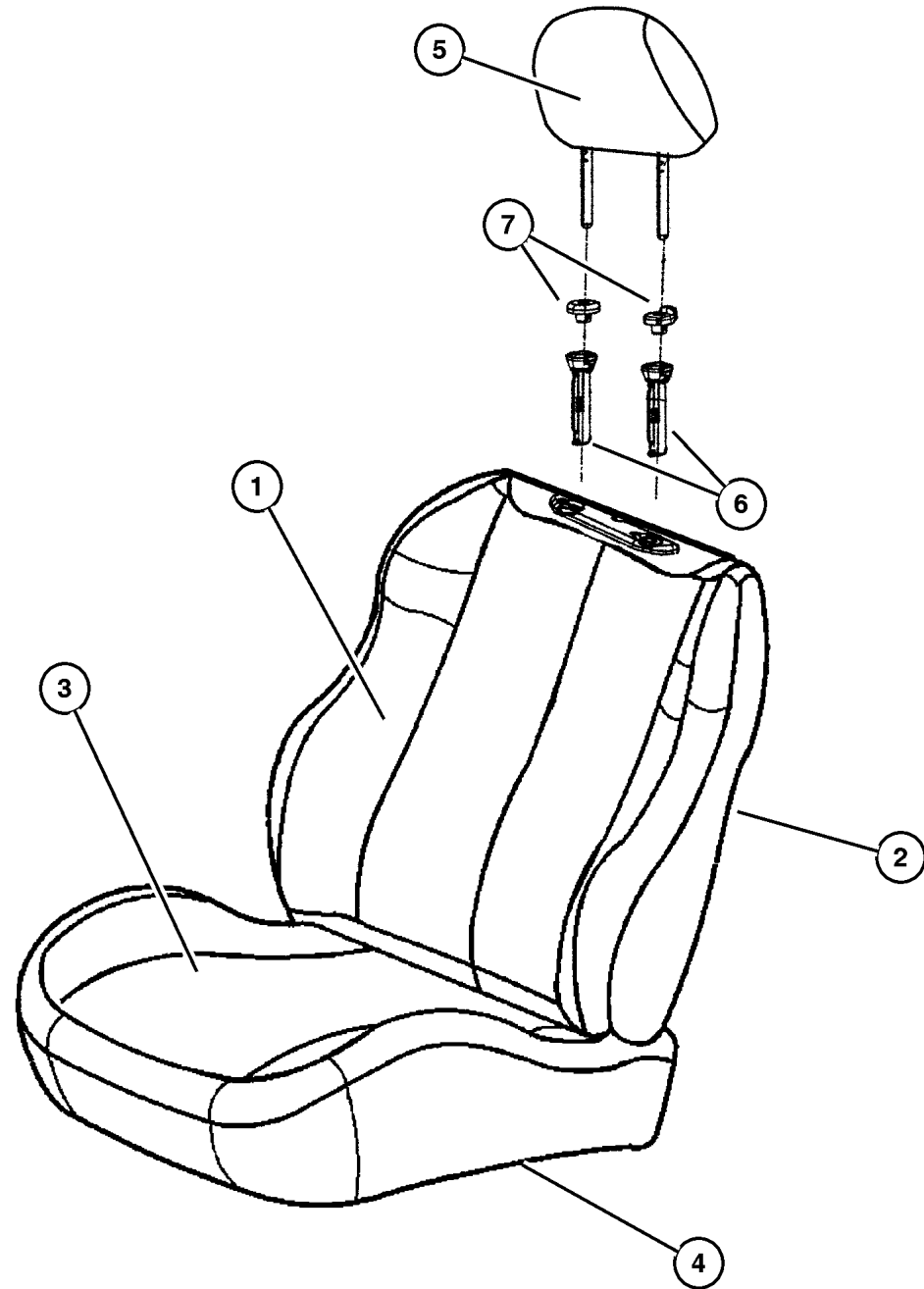
JEEP GRAND CHEROKEE (WJ)

SERIES	LINE	BODY	ENGINE	TRANSMISSION
H=Laredo	J = 4WD	74 = 4 Door(105.9 WB)	ER0, ERH = 4.0L, Power Tech I-6	DGK = 4 Speed Autm, 42RE
P=Limited	T = 2WD		EVO, EVA = 4.7L, Power Tech V8	DGW = 4 Speed Automatic, -44RE
	U = 4WD (RHD)		EXA, EX0 = 3.1L, 5 Cyl Turbo Diesel	DG4 = Multi Speed Automatic, -45RFE
				DGO = All Automatic

AR = Use as required - = Non illustrated part # = New this model year

April 3, 2002

**Front Seat, Leather, Trim Code [FL]
Figure IWJ-520**



ITEM	PART NUMBER	QTY	LINE	SERIES	BODY	TRIM	DESCRIPTION
[JP2]= Power Seats 10-Way Power With Map Pocket. ac DHF=Quadra-Trac							
[JPX] = Pwer Heated ac DHF=Quadra-Trac							
1							COVER, Front Seat Back
	#TU16 1AZAA	2	J, T			FL	[AZ], With Map Pocket, Sales Code [JP2]
	#TU16 1K5AA	2	J, T			FL	[K5], With Map Pocket, Sales Code [JP2]
	#TU16 1L5AA	2	J, T			FL	[L5], With Map Pocket, Sales Code [JP2]
	#TU17 1AZAA	2	J, T			FL	[AZ], Heated, Sales Code [JPX], Up to 1-17-00
	#TU17 1K5AA	2	J, T			FL	[K5], Heated, Sales Code [JPX], Up to 1-17-00
	#TU17 1L5AA	2	J, T			FL	[L5], Heated, Sales Code [JPX], Up to 1-17-00
	#TZ55 1AZAA	2	J, T			FL	[AZ], Heated, Sales Code [JPX], After 1-17-00
	#TZ55 1K5AA	2	J, T			FL	[K5], Heated, Sales Code [JPX], After 1-17-00
	#TZ55 1L5AA	2	J, T			FL	[L5], Heated, Sales Code [JPX], After 1-17-00
2							BACK, Front Seat
	#TU20 1AZAA	1	J, T			FL	[AZ], With Map Pocket, Sales Code [JP2], Up to 1-17-00, Right
	#TU20 1K5AA	1	J, T			FL	[K5], With Map Pocket, Sales Code [JP2], Up to 1-17-00, Right
	#TU20 1L5AA	1	J, T			FL	[L5], With Map Pocket, Sales Code [JP2], Up to 1-17-00, Right
	#TU21 1AZAA	1	J, T			FL	[AZ], With Map Pocket, Sales Code [JP2], Up to 1-17-00, Left
	#TU21 1K5AA	1	J, T			FL	[K5], With Map Pocket, Sales Code [JP2], Up to 1-17-00, Left
	#TU21 1L5AA	1	J, T			FL	[L5], With Map Pocket, Sales Code [JP2], Up to 1-17-00, Left
	#TU32 1AZAA	1	J, T			FL	[AZ], Heated, Sales Code [JPX], Up to 1-17-00, Right
	#TU32 1K5AA	1	J, T			FL	[K5], Heated, Sales Code [JPX], Up to 1-17-00, Right
	#TU32 1L5AA	1	J, T			FL	[L5], Heated, Sales Code [JPX], Up to 1-17-00, Right
	#TU33 1AZAA	1	J, T			FL	[AZ], Heated, Sales Code [JPX], Up to 1-17-00, Left
	#TU33 1K5AA	1	J, T			FL	[K5], Heated, Sales Code [JPX], Up to 1-17-00, Left
	#TU33 1L5AA	1	J, T			FL	[L5], Heated, Sales Code [JPX], Up to 1-17-00, Left
	#TZ44 1AZAA	1	J, T			FL	[AZ], Heated, Sales Code [JPX], After 1-17-00, Right
	#TZ44 1K5AA	1	J, T			FL	[K5], Heated, Sales Code [JPX], After 1-17-00, Right
	#TZ44 1L5AA	1	J, T			FL	[L5], Heated, Sales Code [JPX], After 1-17-00, Right

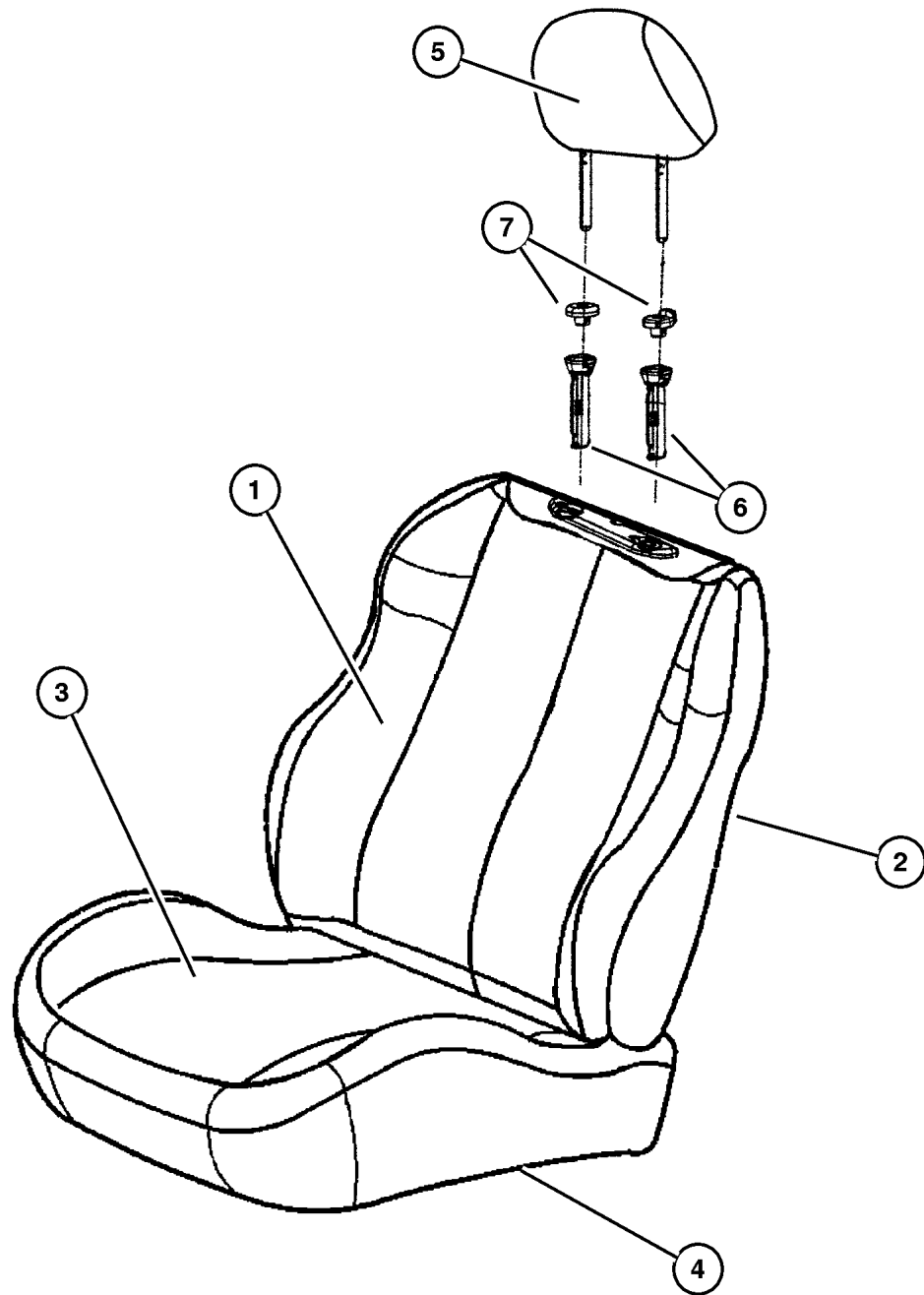
JEEP GRAND CHEROKEE (WJ)

SERIES	LINE	BODY	ENGINE	TRANSMISSION
H=Laredo	J = 4WD	74 = 4 Door(105.9 WB)	ER0, ERH = 4.0L, Power Tech I-6	DGK = 4 Speed Autm, 42RE
P=Limited	T = 2WD		EVO, EVA = 4.7L, Power Tech V8	DGW = 4 Speed Automatic, -44RE
	U = 4WD (RHD)		EXA, EX0 = 3.1L, 5 Cyl Turbo Diesel	DG4 = Multi Speed Automatic, -45RFE
				DGO = All Automatic

AR = Use as required - = Non illustrated part # = New this model year

April 3, 2002

**Front Seat, Leather, Trim Code [FL]
Figure IWJ-520**



ITEM	PART NUMBER	QTY	LINE	SERIES	BODY	TRIM	DESCRIPTION
	#TZ45 1AZAA	1	J, T			FL	[AZ], Heated, Sales Code [JPX], After 1-17-00, Left
	#TZ45 1K5AA	1	J, T			FL	[K5], Heated, Sales Code [JPX], After 1-17-00, Left
	#TZ45 1L5AA	1	J, T			FL	[L5], Heated, Sales Code [JPX], After 1-17-00, Left
	#TZ42 1AZAA	1	J, T			FL	[AZ], With Map Pocket, Sales Code [JP2], After 1-17-00, Right
	#TZ42 1K5AA	1	J, T			FL	[K5], With Map Pocket, Sales Code [JP2], After 1-17-00, Right
	#TZ42 1L5AA	1	J, T			FL	[L5], With Map Pocket, Sales Code [JP2], After 1-17-00, Right
	#TZ43 1AZAA	1	J, T			FL	[AZ], With Map Pocket, Sales Code [JP2], After 1-17-00, Left
	#TZ43 1K5AA	1	J, T			FL	[K5], With Map Pocket, Sales Code [JP2], After 1-17-00, Left
	#TZ43 1L5AA	1	J, T			FL	[L5], With Map Pocket, Sales Code [JP2], After 1-17-00, Left
3							COVER AND PAD, Cushion
	#TU18 1AZAA	1	J, T			FL	[AZ], With Map Pocket, Sales Code [JP2], Right
	#TU18 1K5AA	1	J, T			FL	[K5], With Map Pocket, Sales Code [JP2], Right
	#TU18 1L5AA	1	J, T			FL	[L5], With Map Pocket, Sales Code [JP2], Right
	#TU19 1AZAA	1	J, T			FL	[AZ], With Map Pocket, Sales Code [JP2], Left
	#TU19 1K5AA	1	J, T			FL	[K5], With Map Pocket, Sales Code [JP2], Left
	#TU19 1L5AA	1	J, T			FL	[L5], With Map Pocket, Sales Code [JP2], Left
	#TU31 1AZAA	1	J, T			FL	[AZ], Heated, Sales Code [JPX], Up to 1-17-00, Left
	#TU30 1L5AA	1	J, T			FL	[L5], Heated, Sales Code [JPX], Up to 1-17-00, Right
	#TU31 1K5AA	1	J, T			FL	[K5], Heated, Sales Code [JPX], Up to 1-17-00, Left
	#TU30 1K5AA	1	J, T			FL	[K5], Heated, Sales Code [JPX], Up to 1-17-00, Right
	#TU31 1L5AA	1	J, T			FL	[L5], Heated, Sales Code [JPX], Up to 1-17-00, Left
	#TU30 1AZAA	1	J, T			FL	[AZ], Heated, Sales Code [JPX], Up to 1-17-00, Right
	#TZ32 1AZAA	1	J, T			FL	[AZ], Heated, Sales Code [JPX], After 1-17-00, Right
	#TZ32 1K5AA	1	J, T			FL	[K5], Heated, Sales Code [JPX], After 1-17-00, Right
	#TZ32 1L5AA	1	J, T			FL	[L5], Heated, Sales Code [JPX], After 1-17-00, Right

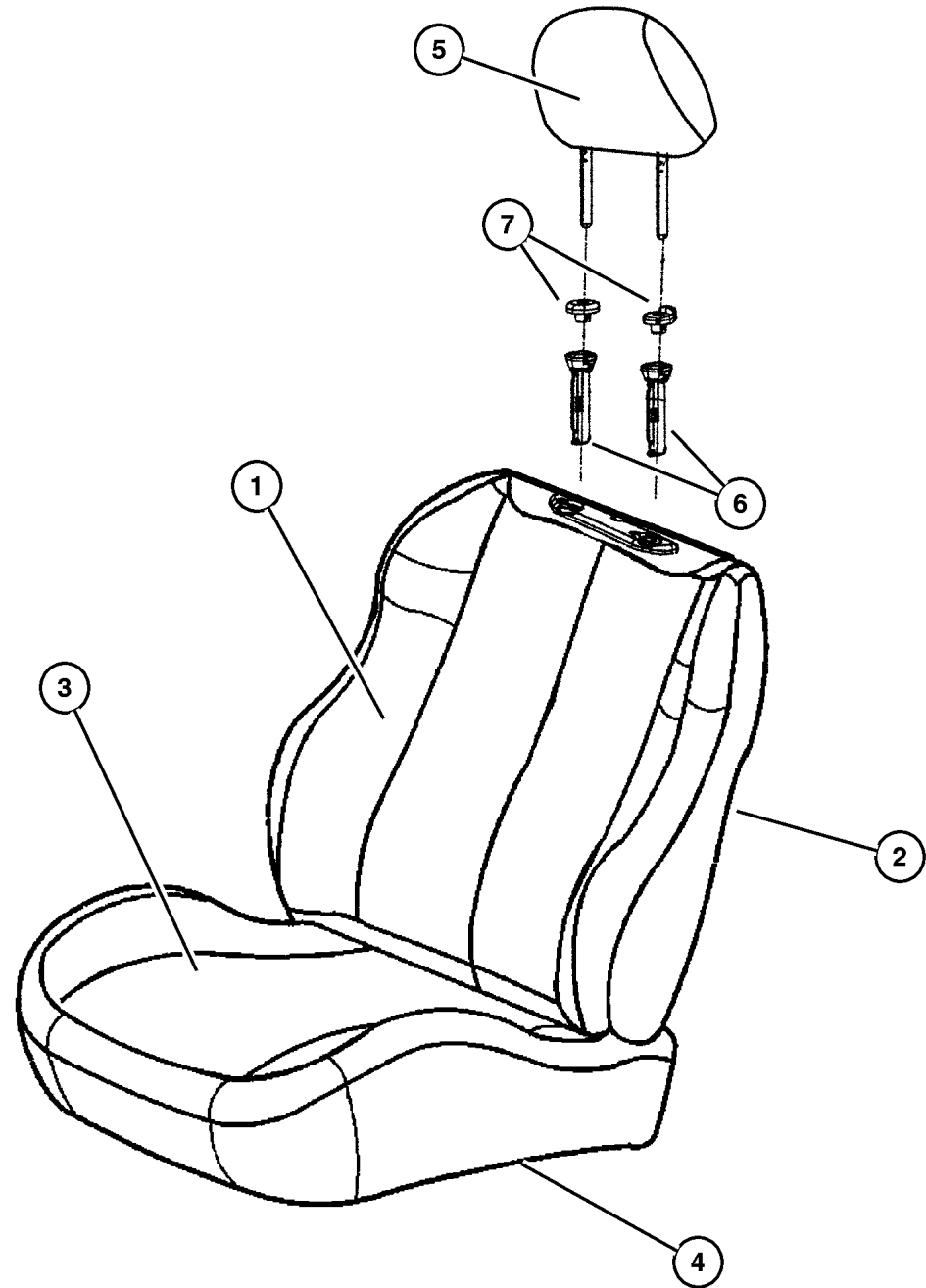
JEEP GRAND CHEROKEE (WJ)

SERIES	LINE	BODY	ENGINE	TRANSMISSION
H=Laredo	J = 4WD	74 = 4 Door(105.9 WB)	ER0, ERH = 4.0L, Power Tech I-6	DGK = 4 Speed Autm, 42RE
P=Limited	T = 2WD		EVO, EVA = 4.7L, Power Tech V8	DGW = 4 Speed Automatic, -44RE
	U = 4WD (RHD)		EXA, EX0 = 3.1L, 5 Cyl Turbo Diesel	DG4 = Multi Speed Automatic, -45RFE
				DGO = All Automatic

AR = Use as required - = Non illustrated part # = New this model year

April 3, 2002

**Front Seat, Leather, Trim Code [FL]
Figure IWJ-520**



ITEM	PART NUMBER	QTY	LINE	SERIES	BODY	TRIM	DESCRIPTION
	#TZ33 1AZAA	1	J, T			FL	[AZ], Heated, Sales Code [JPX], After 1-17-00, Left
	#TZ33 1K5AA	1	J, T			FL	[K5], Heated, Sales Code [JPX], After 1-17-00, Left
	#TZ33 1L5AA	1	J, T			FL	[L5], Heated, Sales Code [JPX], After 1-17-00, Left
4							FRAME, Front Seat
	4856 470	1	J, T			FL	Right
	4856 471	1	J, T			FL	Left
5							HEADREST, Front
	TH72 1AZAA	2	J, T			FL	[AZ]
	TH72 1K5AA	2	J, T			FL	[K5]
	TH72 1L5AA	2	J, T			FL	[L5]
6	5013 152AA	8	J, T			FL	CYLINDER, Headrest
7							COVER, Headrest Sleeve
	5013 163AA	4	J, T			FL	Non-Locking
	5013 172AA	4	J, T			FL	Locking
-8	4740 415	1					EXTENDER, Seat Belt

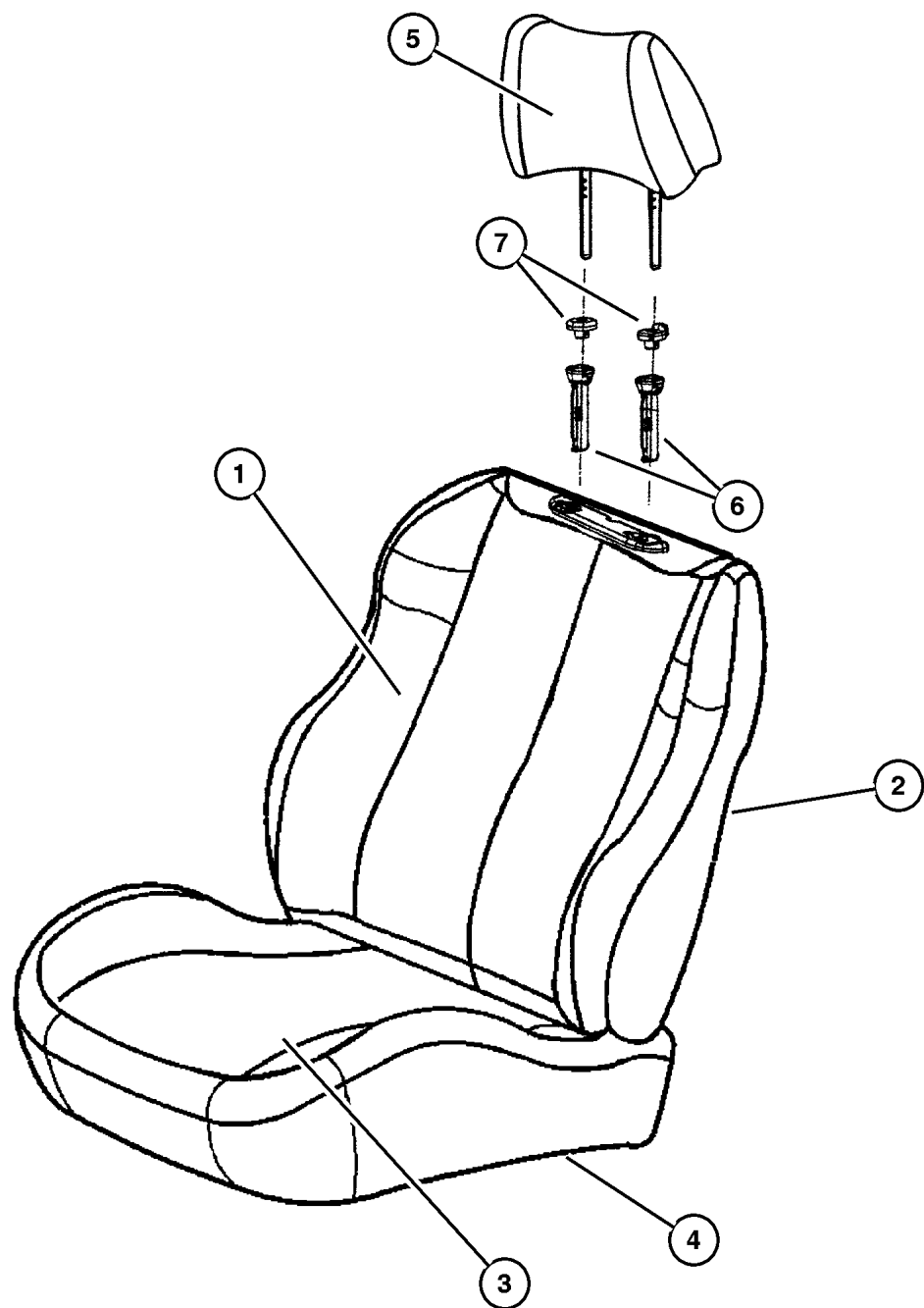
JEEP GRAND CHEROKEE (WJ)

SERIES	LINE	BODY	ENGINE	TRANSMISSION
H=Laredo	J = 4WD	74 = 4 Door(105.9 WB)	ER0, ERH = 4.0L, Power Tech I-6	DGK = 4 Speed Autm, 42RE
P=Limited	T = 2WD		EVO, EVA = 4.7L, Power Tech V8	DGW = 4 Speed Automatic, -44RE
	U = 4WD (RHD)		EXA, EX0 = 3.1L, 5 Cyl Turbo Diesel	DG4 = Multi Speed Automatic, -45RFE
				DGO = All Automatic

AR = Use as required - = Non illustrated part # = New this model year

April 3, 2002

**Front Seat, Leather, Trim Code [DL]
Figure IWJ-530**



ITEM	PART NUMBER	QTY	LINE	SERIES	BODY	TRIM	DESCRIPTION
[JTC] = Power 10-Way Memory. ac DHF=Quadra-Trac							
[JTF] = Power 10-Way Heated Memory. ac DHF=Quadra-Trac							
1							COVER, Front Seat Back
	#TU36 1L5AA	2	J, T			DL	[L5], Non-Heated, Sales Code [JTC]
	#TU36 1AZAA	2	J, T			DL	[AZ], Non-Heated, Sales Code [JTC]
	#TU36 1K5AA	2	J, T			DL	[K5], Non-Heated, Sales Code [JTC]
	#TU37 1K5AA	2	J, T			DL	[K5], Heated, Sales Code [JTF], Up to 1-17-00
	#TU37 1L5AA	2	J, T			DL	[L5], Heated, Sales Code [JTF], Up to 1-17-00
	#TU37 1AZAA	2	J, T			DL	[AZ], Heated, Sales Code [JTF], Up to 1-17-00
	#TZ57 1L5AA	1	J, T			DL	[L5], Heated, Sales Code [JTF], After 1-17-00
	#TZ57 1K5AA	1	J, T			DL	[K5], Heated, Sales Code [JTF], After 1-17-00
	#TZ57 1AZAA	1	J, T			DL	[AZ], Heated, Sales Code [JTF], After 1-17-00
2							BACK, Front Seat
	#TU38 1L5AA	1	J, T			DL	[L5], Non-Heated, Sales Code [JTC], Up to 1-17-00, Right
	#TU39 1AZAA	1	J, T			DL	[AZ], Non-Heated, Sales Code [JTC], Up to 1-17-00, Left
	#TU38 1K5AA	1	J, T			DL	[K5], Non-Heated, Sales Code [JTC], Up to 1-17-00, Right
	#TU39 1K5AA	1	J, T			DL	[K5], Non-Heated, Sales Code [JTC], Up to 1-17-00, Left
	#TU38 1AZAA	1	J, T			DL	[AZ], Non-Heated, Sales Code [JTC], Up to 1-17-00, Right
	#TU39 1L5AA	1	J, T			DL	[L5], Non-Heated, Sales Code [JTC], Up to 1-17-00, Left
	#TU50 1L5AA	1	J, T			DL	[L5], Heated, Sales Code [JTF], Up to 1-17-00, Right
	#TU51 1K5AA	1	J, T			DL	[K5], Heated, Sales Code [JTF], Up to 1-17-00, Left
	#TU50 1K5AA	1	J, T			DL	[K5], Heated, Sales Code [JTF], Up to 1-17-00, Right
	#TU50 1AZAA	1	J, T			DL	[AZ], Heated, Sales Code [JTF], Up to 1-17-00, Right
	#TU51 1AZAA	1	J, T			DL	[AZ], Heated, Sales Code [JTF], Up to 1-17-00, Left
	#TU51 1L5AA	1	J, T			DL	[L5], Heated, Sales Code [JTF], Up to 1-17-00, Left
	#TZ49 1L5AA	1	J, T			DL	[L5], Heated, Sales Code [JTF], After 1-17-00, Left
	#TZ49 1K5AA	1	J, T			DL	[K5], Heated, Sales Code [JTF], After 1-17-00, Left
	#TZ49 1AZAA	1	J, T			DL	[AZ], Heated, Sales Code [JTF], After 1-17-00, Left
	#TZ48 1L5AA	1	J, T			DL	[L5], Heated, Sales Code [JTF], After 1-17-00, Right

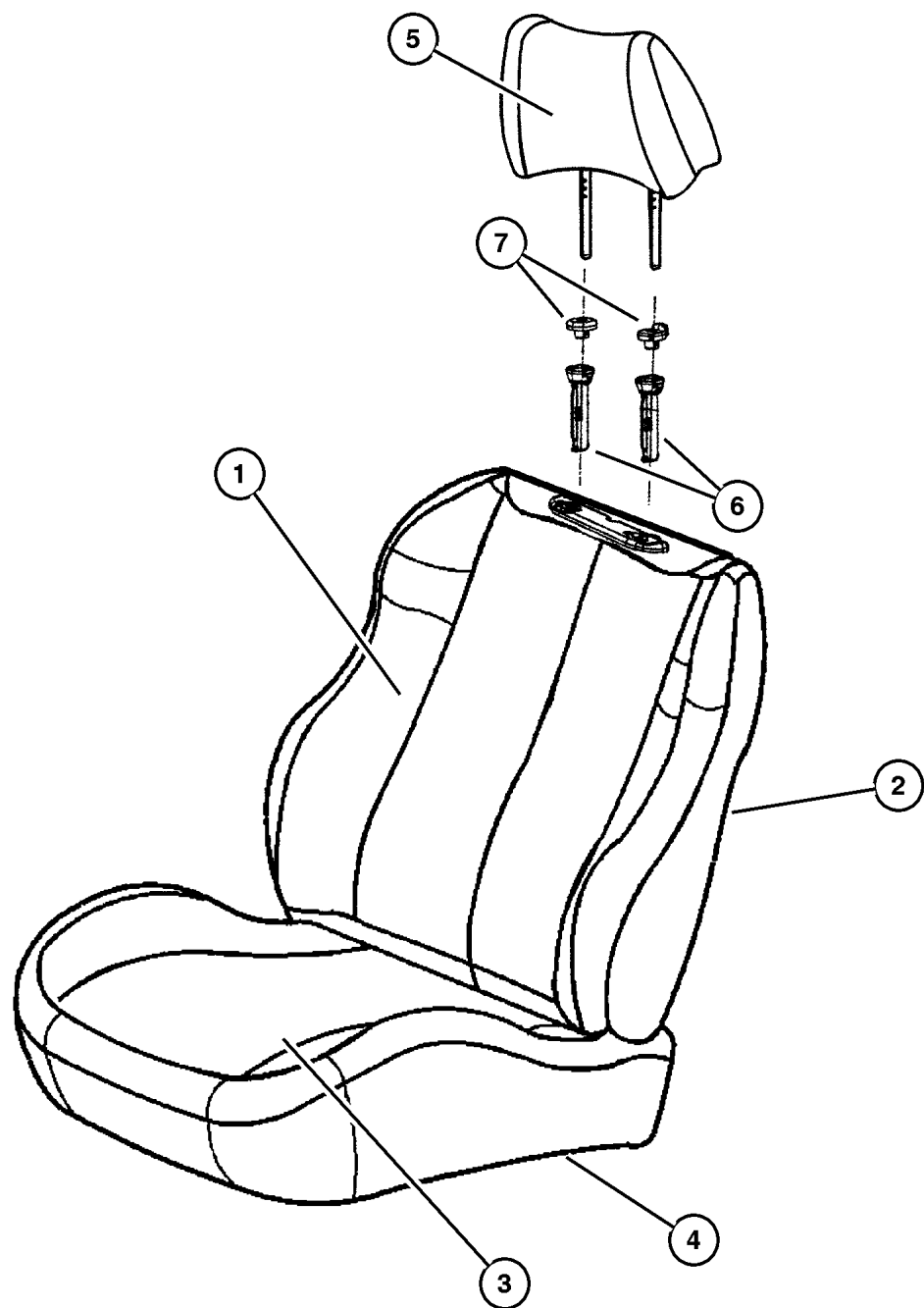
JEEP GRAND CHEROKEE (WJ)

SERIES	LINE	BODY	ENGINE	TRANSMISSION
H=Laredo	J = 4WD	74 = 4 Door(105.9 WB)	ER0, ERH = 4.0L, Power Tech I-6	DGK = 4 Speed Autm, 42RE
P=Limited	T = 2WD		EVO, EVA = 4.7L, Power Tech V8	DGW = 4 Speed Automatic, -44RE
	U = 4WD (RHD)		EXA, EX0 = 3.1L, 5 Cyl Turbo Diesel	DG4 = Multi Speed Automatic, -45RFE
				DGO = All Automatic

AR = Use as required - = Non illustrated part # = New this model year

April 3, 2002

**Front Seat, Leather, Trim Code [DL]
Figure IWJ-530**



ITEM	PART NUMBER	QTY	LINE	SERIES	BODY	TRIM	DESCRIPTION
	#TZ48 1K5AA	1	J, T			DL	[K5], Heated, Sales Code [JTF], After 1-17-00, Right
	#TZ48 1AZAA	1	J, T			DL	[AZ], Heated, Sales Code [JTF], After 1-17-00, Right
	#TZ47 1L5AA	1	J, T			DL	[L5], Non-Heated, Sales Code [JTC], After 1-17-00, Left
	#TZ47 1K5AA	1	J, T			DL	[K5], Non-Heated, Sales Code [JTC], After 1-17-00, Left
	#TZ47 1AZAA	1	J, T			DL	[AZ], Non-Heated, Sales Code [JTC], After 1-17-00, Left
	#TZ46 1L5AA	1	J, T			DL	[L5], Non-Heated, Sales Code [JTC], After 1-17-00, Right
	#TZ46 1K5AA	1	J, T			DL	[K5], Non-Heated, Sales Code [JTC], After 1-17-00, Right
	#TZ46 1AZAA	1	J, T			DL	[AZ], Non-Heated, Sales Code [JTC], After 1-17-00, Right
3							COVER AND PAD, Cushion
	#TU34 1AZAA	1	J, T			DL	[AZ], Non-Heated, Sales Code [JTC], Right
	#TU34 1K5AA	1	J, T			DL	[K5], Non-Heated, Sales Code [JTC], Right
	#TU34 1L5AA	1	J, T			DL	[L5], Non-Heated, Sales Code [JTC], Right
	#TU35 1AZAA	1	J, T			DL	[AZ], Non-Heated, Sales Code [JTC], Left
	#TU35 1K5AA	1	J, T			DL	[K5], Non-Heated, Sales Code [JTC], Left
	#TU35 1L5AA	1	J, T			DL	[L5], Non-Heated, Sales Code [JTC], Left
	#TU49 1L5AA	1	J, T			DL	[L5], Heated, Sales Code [JTF], Up to 1-17-00, Left
	#TU49 1K5AA	1	J, T			DL	[K5], Heated, Sales Code [JTF], Up to 1-17-00, Left
	#TU48 1L5AA	1	J, T			DL	[L5], Heated, Sales Code [JTF], Up to 1-17-00, Right
	#TU48 1K5AA	1	J, T			DL	[K5], Heated, Sales Code [JTF], Up to 1-17-00, Right
	#TU48 1AZAA	1	J, T			DL	[AZ], Heated, Sales Code [JTF], Up to 1-17-00, Right
	#TU49 1AZAA	1	J, T			DL	[AZ], Heated, Sales Code [JTF], Up to 1-17-00, Left
	#TZ37 1L5AA	1	J, T			DL	[L5], Heated, Sales Code [JTF], After 1-17-00, Left
	#TZ37 1K5AA	1	J, T			DL	[K5], Heated, Sales Code [JTF], After 1-17-00, Left
	#TZ37 1AZAA	1	J, T			DL	[AZ], Heated, Sales Code [JTF], After 1-17-00, Left
	#TZ36 1L5AA	1	J, T			DL	[L5], Heated, Sales Code [JTF], After 1-17-00, Right
	#TZ36 1K5AA	1	J, T			DL	[K5], Heated, Sales Code [JTF], After 1-17-00, Right

JEEP GRAND CHEROKEE (WJ)

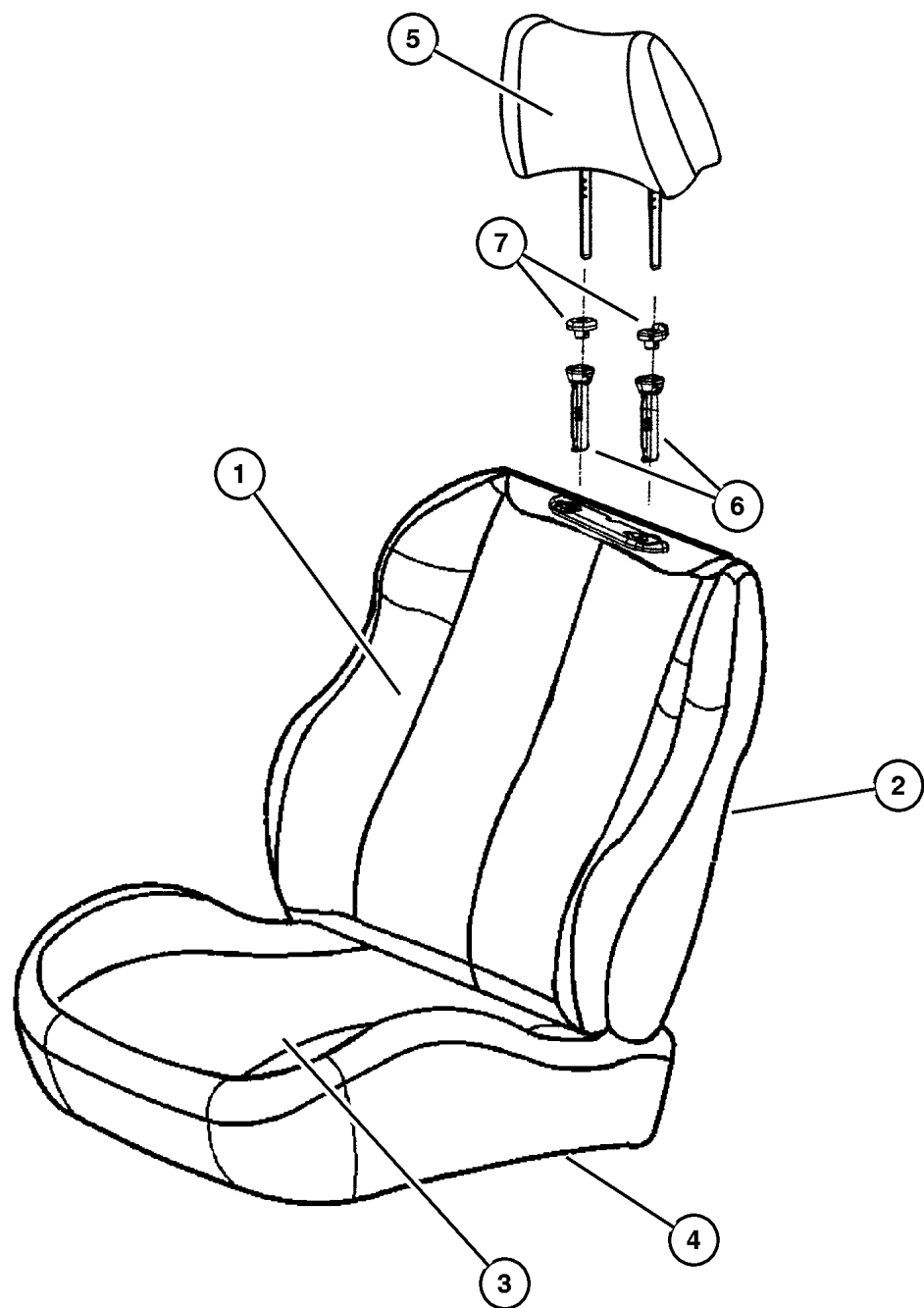
SERIES	LINE	BODY	ENGINE	TRANSMISSION
H=Laredo	J = 4WD	74 = 4 Door(105.9 WB)	ER0, ERH = 4.0L, Power Tech I-6	DGK = 4 Speed Autm, 42RE
P=Limited	T = 2WD		EVO, EVA = 4.7L, Power Tech V8	DGW = 4 Speed Automatic, -44RE
	U = 4WD (RHD)		EXA, EX0 = 3.1L, 5 Cyl Turbo Diesel	DG4 = Multi Speed Automatic, -45RFE
				DGO = All Automatic

AR = Use as required - = Non illustrated part # = New this model year

April 3, 2002

**Front Seat, Leather, Trim Code [DL]
Figure IWJ-530**

ITEM	PART NUMBER	QTY	LINE	SERIES	BODY	TRIM	DESCRIPTION
	#TZ36 1AZAA	1	J, T			DL	[AZ], Heated, Sales Code [JTF], After 1-17-00, Right
4							FRAME, Front Seat
	4856 471	1	J, T			DL	Left
	4856 470	1	J, T			DL	Right
5							HEADREST, Front
	TH73 1AZAA	2	J, T			DL	[AZ]
	TH73 1K5AA	2	J, T			DL	[K5]
	TH73 1L5AA	2	J, T			DL	[L5]
6	5013 152AA	1	J, T			DL	CYLINDER, Headrest
7							COVER, Headrest Sleeve
	5013 172AA	4	J, T			DL	Locking
	5013 163AA	4	J, T			DL	Non-Locking
-8	4740 415	1					EXTENDER, Seat Belt



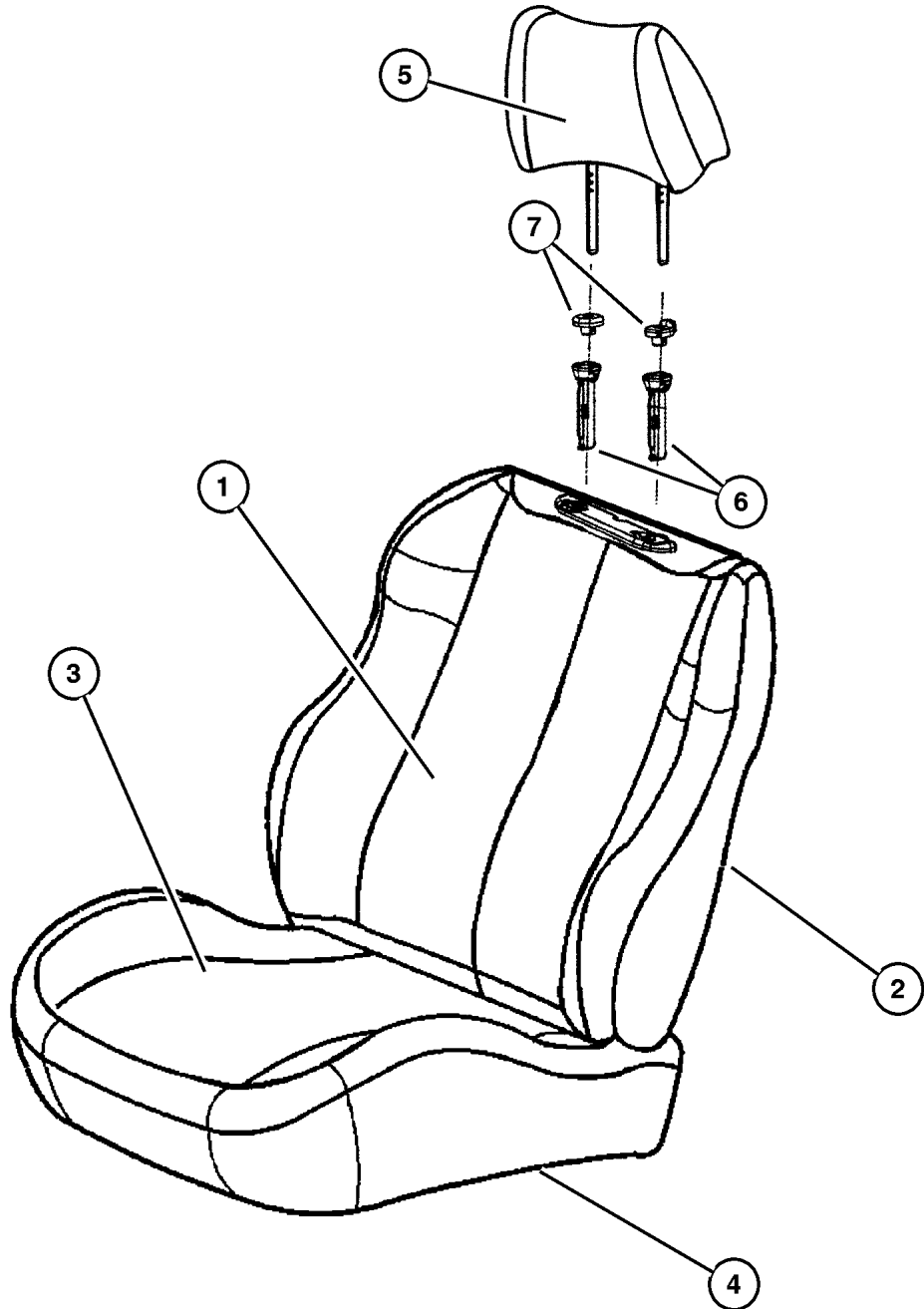
JEEP GRAND CHEROKEE (WJ)

SERIES	LINE	BODY	ENGINE	TRANSMISSION
H=Laredo	J = 4WD	74 = 4 Door(105.9 WB)	ER0, ERH = 4.0L, Power Tech I-6	DGK = 4 Speed Autm, 42RE
P=Limited	T = 2WD		EVO, EVA = 4.7L, Power Tech V8	DGW = 4 Speed Automatic, -44RE
	U = 4WD (RHD)		EXA, EX0 = 3.1L, 5 Cyl Turbo Diesel	DG4 = Multi Speed Automatic, -45RFE
				DGO = All Automatic

AR = Use as required - = Non illustrated part # = New this model year

April 3, 2002

**Front Seat, Leather, Trim Code [EL]
Figure IWJ-540**

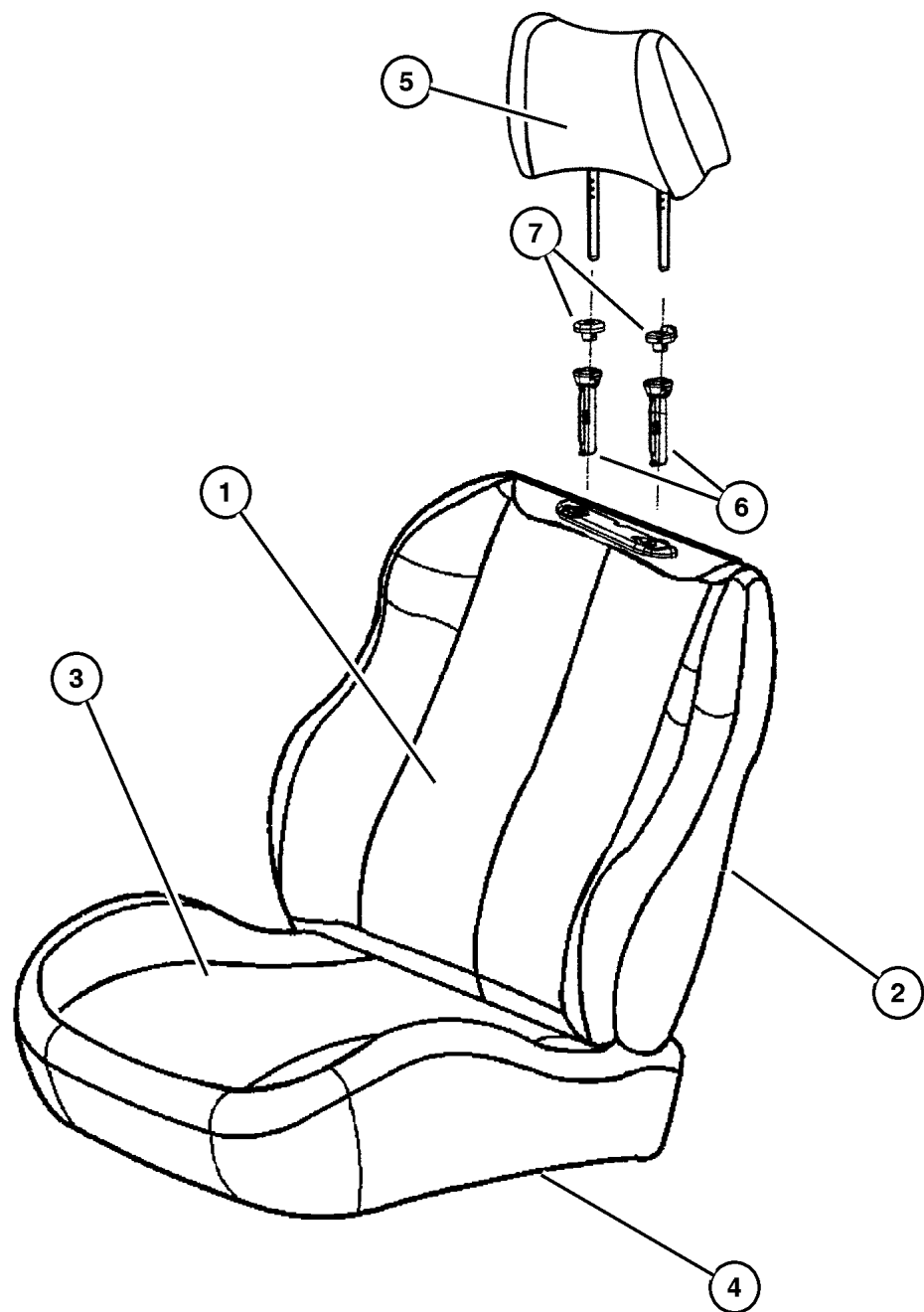


ITEM	PART NUMBER	QTY	LINE	SERIES	BODY	TRIM	DESCRIPTION
[JTC] = Power 10-Way Memory. ac DHF=Quadra-Trac							
[JTF] = Power 10-Way Heated Memory. ac DHF=Quadra-Trac							
1							COVER, Front Seat Back
	#TV31 1AZAA	2	U			EL	[AZ], Heated, Sales Code [JTF]
		2	J, T			EL	[AZ], Heated, Sales Code [JTF]
	#TV31 1K5AA	2	U			EL	[K5], Heated, Sales Code [JTF]
		2	J, T			EL	[K5], Heated, Sales Code [JTF]
	#TV36 1AZAA	2	J, T			EL	[AZ], Non-Heated, Sales Code [JTC]
		2	U			EL	[AZ], Non-Heated, Sales Code [JTC]
	#TV36 1K5AA	2	U			EL	[K5], Non-Heated, Sales Code [JTC]
		2	J, T			EL	[K5], Non-Heated, Sales Code [JTC]
2							BACK, Front Seat
	#TV38 1AZAA	1	J, T			EL	[AZ], Heated, Sales Code [JTF], Right
		1	U			EL	[AZ], Heated, Sales Code [JTF], Right
	#TV38 1K5AA	1	J, T			EL	[K5], Heated, Sales Code [JTF], Right
		1	U			EL	[K5], Heated, Sales Code [JTF], Right
	#TV39 1AZAA	1	J, T			EL	[AZ], Heated, Sales Code [JTF], Left
		1	U			EL	[AZ], Heated, Sales Code [JTF], Left
	#TV39 1K5AA	1	J, T			EL	[K5], Heated, Sales Code [JTF], Left
		1	U			EL	[K5], Heated, Sales Code [JTF], Left
	#TV40 1AZAA	1	J, T			EL	[AZ], Non-Heated, Sales Code [JTC], Right
		1	U			EL	[AZ], Non-Heated, Sales Code [JTC], Right
	#TV40 1K5AA	1	J, T			EL	[K5], Non-Heated, Sales Code [JTC], Right
		1	U			EL	[K5], Non-Heated, Sales Code [JTC], Right
	#TV41 1AZAA	1	J, T			EL	[AZ], Non-Heated, Sales Code [JTC], Left
		1	U			EL	[AZ], Non-Heated, Sales Code [JTC], Left
	#TV41 1K5AA	1	J, T			EL	[K5], Non-Heated, Sales Code [JTC], Left
		1	U			EL	[K5], Non-Heated, Sales Code [JTC], Left
3							COVER AND PAD, Cushion
	#TV32 1AZAA	1	J, T			EL	[AZ], Heated, Sales Code [JTF], Right
		1	U			EL	[AZ], Heated, Sales Code [JTF], Right
	#TV32 1K5AA	1	J, T			EL	[K5], Heated, Sales Code [JTF], Right
		1	U			EL	[K5], Heated, Sales Code [JTF], Right
	#TV33 1AZAA	1	J, T			EL	[AZ], Heated, Sales Code [JTF], Left
		1	U			EL	[AZ], Heated, Sales Code [JTF], Left
	#TV33 1K5AA	1	J, T			EL	[K5], Heated, Sales Code [JTF], Left
		1	U			EL	[K5], Heated, Sales Code [JTF], Left
	#TV34 1AZAA	1	J, T			EL	[AZ], Non-Heated, Sales Code [JTC], Right
		1	U			EL	[AZ], Non-Heated, Sales Code [JTC], Right
	#TV34 1K5AA	1	J, T			EL	[K5], Non-Heated, Sales Code [JTC], Right
		1	U			EL	[K5], Non-Heated, Sales Code [JTC], Right
	#TV35 1AZAA	1	J, T			EL	[AZ], Non-Heated, Sales Code [JTC], Left

JEEP GRAND CHEROKEE (WJ)

SERIES	LINE	BODY	ENGINE	TRANSMISSION
H=Laredo	J = 4WD	74 = 4 Door(105.9 WB)	ER0, ERH = 4.0L, Power Tech I-6	DGK = 4 Speed Autm, 42RE
P=Limited	T = 2WD		EVO, EVA = 4.7L, Power Tech V8	DGW = 4 Speed Automatic, -44RE
	U = 4WD (RHD)		EXA, EX0 = 3.1L, 5 Cyl Turbo Diesel	DG4 = Multi Speed Automatic, -45RFE
				DGO = All Automatic

Front Seat, Leather, Trim Code [EL]
Figure IWJ-540



ITEM	PART NUMBER	QTY	LINE	SERIES	BODY	TRIM	DESCRIPTION
		1	U			EL	[AZ], Non-Heated, Sales Code [JTC], Left
	#TV35 1K5AA	1	J, T			EL	[K5], Non-Heated, Sales Code [JTC], Left
		1	U			EL	[K5], Non-Heated, Sales Code [JTC], Left
4							FRAME, Front Seat
	4856 470	1	J, T			EL	Right
		1	U			EL	Right
	4856 471	1	J, T			EL	Left
		1	U			EL	Left
5							HEADREST, Front
	TH78 1AZAA	2	J, T			EL	[AZ]
		2	U			EL	[AZ]
	TH78 1K5AA	2	J, T			EL	[K5]
		2	U			EL	[K5]
6							CYLINDER, Headrest
	5013 152AA	8	J, T			EL	
		8	U			EL	
7							COVER, Headrest Sleeve
	5013 163AA	4	J, T			EL	Non-Locking
		4	U			EL	Non-Locking
	5013 172AA	4	J, T			EL	Locking
		4	U			EL	Locking
-8	4740 415	1					EXTENDER, Seat Belt

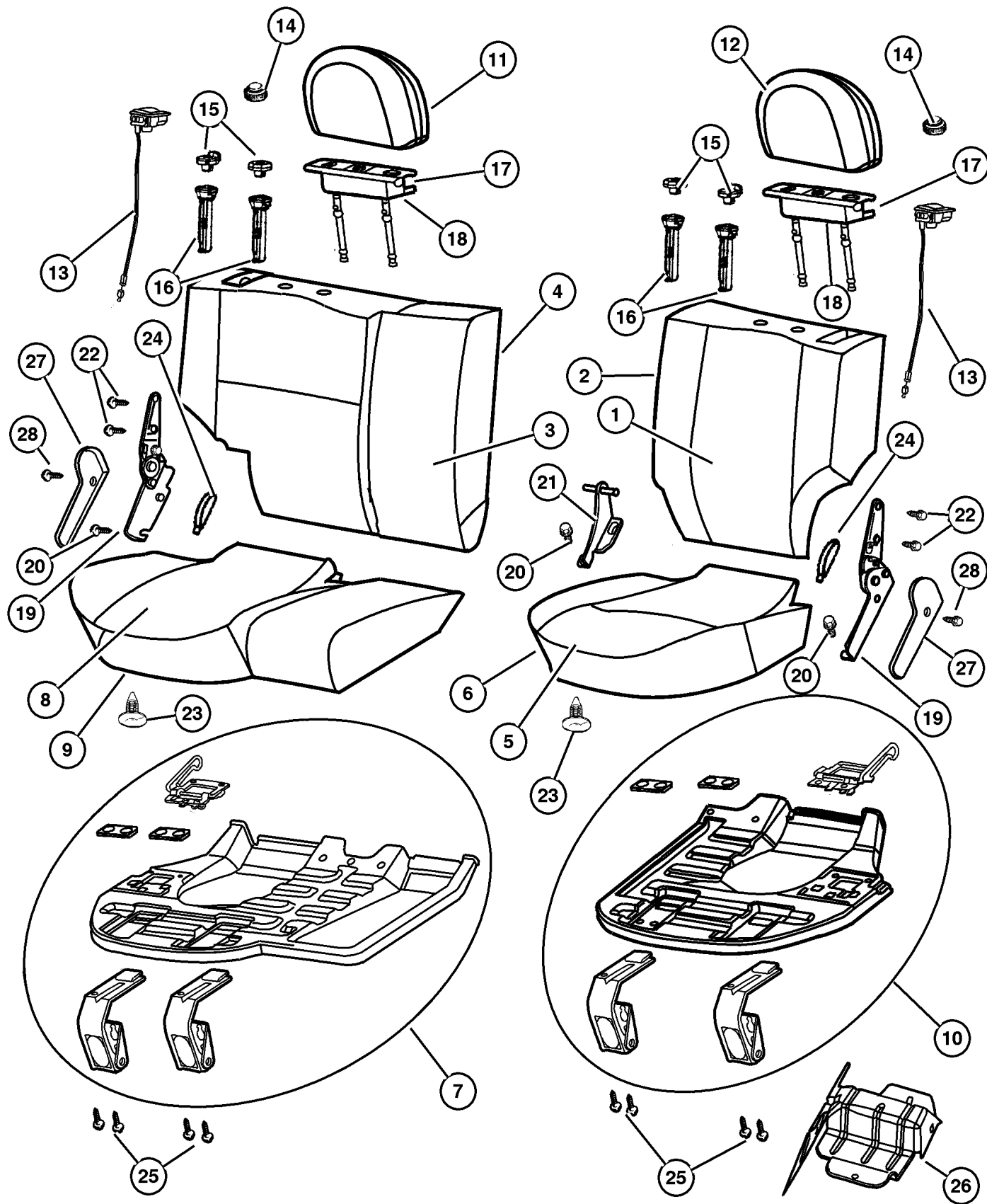
JEEP GRAND CHEROKEE (WJ)

SERIES	LINE	BODY	ENGINE	TRANSMISSION
H=Laredo	J = 4WD	74 = 4 Door(105.9 WB)	ER0, ERH = 4.0L, Power Tech I-6	DGK = 4 Speed Autm, 42RE
P=Limited	T = 2WD		EVO, EVA = 4.7L, Power Tech V8	DGW = 4 Speed Automatic, -44RE
	U = 4WD (RHD)		EXA, EX0 = 3.1L, 5 Cyl Turbo Diesel	DG4 = Multi Speed Automatic, -45RFE
				DGO = All Automatic

AR = Use as required - = Non illustrated part # = New this model year

April 3, 2002

**Rear Seat, Trim Code [H7]
Figure IWJ-610**



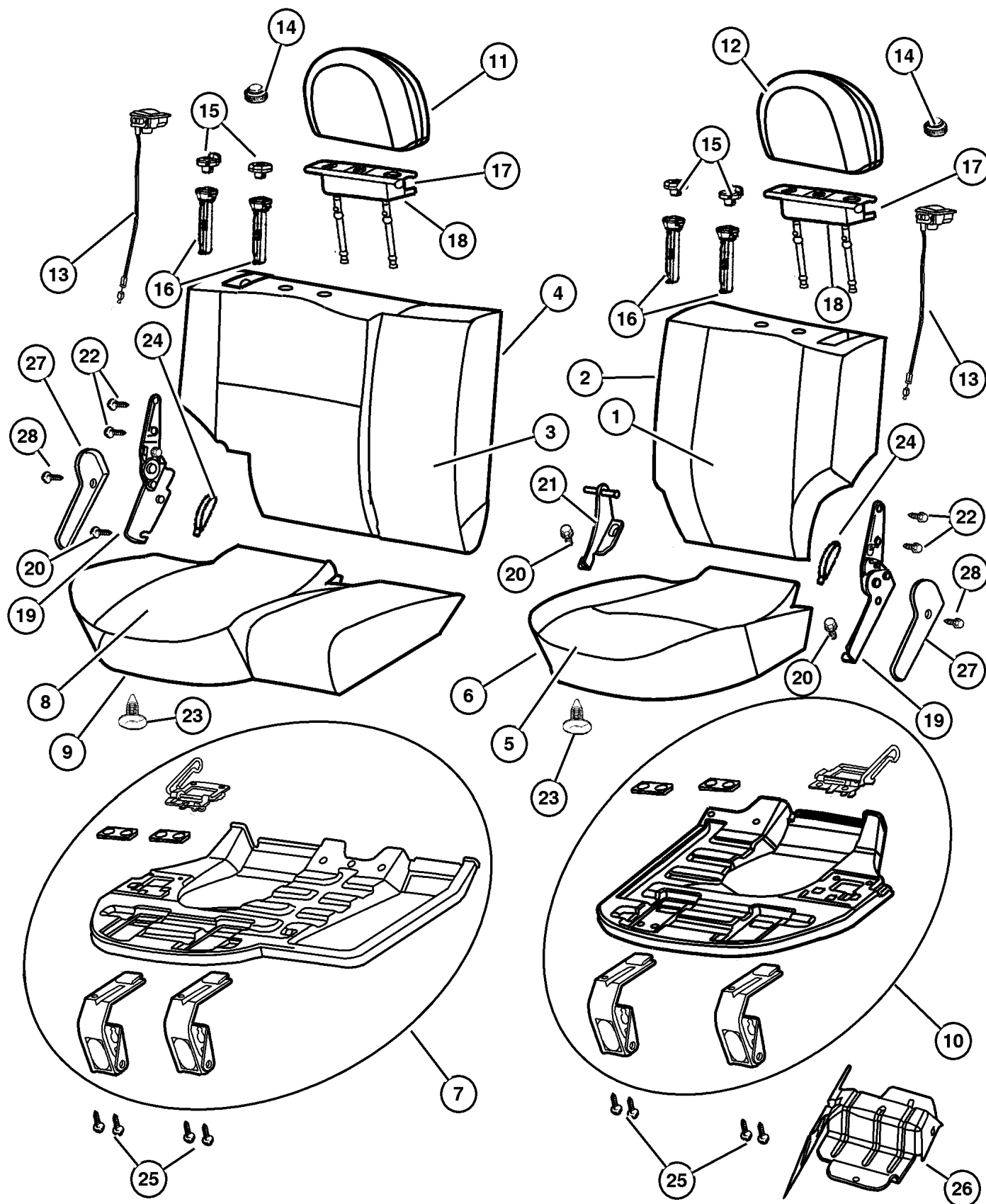
ITEM	PART NUMBER	QTY	LINE	SERIES	BODY	TRIM	DESCRIPTION
NOTE: Seat back and seat back covers have changed in February of 2000. Since there is no definite "Up To" or "After" date, the determining factor is if your vehicle has a Cover, Seat Latch, Item 27. Vehicles built prior to February of 2000 will not have a Cover, Seat Latch, Item 27. Vehicles built in February of 2000 and beyond. If your vehicle has a Cover, Seat Latch, Item 27. Vehicles built prior to February of 2000 will not have a Seat Latch Cover. Look for a Cover on vehicle							
1							COVER, Rear Seat Back, 40%
	#UN59 1AZAA	1	J, T			H7	[AZ], With Cover, Seat Latch, Item 27
		1	U			H7	[AZ], With Cover, Seat Latch, Item 27
	#UN59 1K5AA	1	J, T			H7	[K5], With Cover, Seat Latch, Item 27
		1	U			H7	[K5], With Cover, Seat Latch, Item 27
	#UN59 1L5AA	1	J, T			H7	[L5], With Cover, Seat Latch, Item 27
	SK43 1AZAA	1	U			H7	[AZ], Without Cover, Seat Latch, Item 27
		1	J, T			H7	[AZ], Without Cover, Seat Latch, Item 27
	SK43 1K5AA	1	J, T			H7	[K5], Without Cover, Seat Latch, Item 27
		1	U			H7	[K5], Without Cover, Seat Latch, Item 27
	SK43 1L5AA	1	J, T			H7	[L5], Without Cover, Seat Latch, Item 27
2							SEAT BACK, Rear, 40%
	#UN61 1AZAA	1	J, T			H7	[AZ], With Cover, Seat Latch, Item 27
		1	U			H7	[AZ], With Cover, Seat Latch, Item 27
	#UN61 1K5AA	1	J, T			H7	[K5], With Cover, Seat Latch, Item 27
		1	U			H7	[K5], With Cover, Seat Latch, Item 27
	#UN61 1L5AA	1	J, T			H7	[L5], With Cover, Seat Latch, Item 27
	SK47 1AZAA	1	J, T			H7	[AZ], Without Cover, Seat Latch, Item 27
		1	U			H7	[AZ], Without Cover, Seat Latch, Item 27
	SK47 1K5AA	1	J, T			H7	[K5], Without Cover, Seat Latch, Item 27
		1	U			H7	[K5], Without Cover, Seat Latch, Item 27
	SK47 1L5AA	1	J, T			H7	[L5], Without Cover, Seat Latch, Item 27
3							COVER, Rear Seat Back, 60%
	#UN58 1AZAA	1	J, T			H7	[AZ], With Cover, Seat Latch, Item 27
		1	U			H7	[AZ], With Cover, Seat Latch, Item 27
	#UN58 1K5AA	1	J, T			H7	[K5], With Cover, Seat Latch, Item 27
		1	U			H7	[K5], With Cover, Seat Latch, Item 27
	#UN58 1L5AA	1	J, T			H7	[L5], With Cover, Seat Latch, Item 27
	SK42 1AZAA	1	J, T			H7	[AZ], Without Cover, Seat Latch, Item 27
		1	U			H7	[AZ], Without Cover, Seat Latch, Item 27
	SK42 1K5AA	1	J, T			H7	[K5], Without Cover, Seat Latch, Item 27
		1	U			H7	[K5], Without Cover, Seat Latch, Item 27
	SK42 1L5AA	1	J, T			H7	[L5], Without Cover, Seat Latch, Item 27
4							SEAT BACK, Rear, 60%
	#UN60 1AZAA	1	J, T			H7	[AZ], With Cover, Seat Latch, Item 27
		1	U			H7	[AZ], With Cover, Seat Latch, Item 27
	#UN60 1K5AA	1	J, T			H7	[K5], With Cover, Seat Latch, Item 27
		1	U			H7	[K5], With Cover, Seat Latch, Item 27

JEEP GRAND CHEROKEE (WJ)

SERIES	LINE	BODY	ENGINE	TRANSMISSION
H=Laredo	J = 4WD	74 = 4 Door(105.9 WB)	ER0, ERH = 4.0L, Power Tech I-6	DGK = 4 Speed Autm, 42RE
P=Limited	T = 2WD		EVO, EVA = 4.7L, Power Tech V8	DGW = 4 Speed Automatic, -44RE
	U = 4WD (RHD)		EXA, EX0 = 3.1L, 5 Cyl Turbo Diesel	DG4 = Multi Speed Automatic, -45RFE
				DGO = All Automatic

AR = Use as required - = Non illustrated part # = New this model year

Rear Seat, Trim Code [H7]
Figure IWJ-610



ITEM	PART NUMBER	QTY	LINE	SERIES	BODY	TRIM	DESCRIPTION
	#UN60 1L5AA	1	J, T			H7	[L5], With Cover, Seat Latch, Item 27
	SK46 1AZAA	1	J, T			H7	[AZ], Without Cover, Seat Latch, Item 27
		1	U			H7	[AZ], Without Cover, Seat Latch, Item 27
	SK46 1K5AA	1	J, T			H7	[K5], Without Cover, Seat Latch, Item 27
		1	U			H7	[K5], Without Cover, Seat Latch, Item 27
5	SK46 1L5AA	1	J, T			H7	[L5], Without Cover, Seat Latch, Item 27 COVER, Rear Seat Cushion, 40%
	SK45 1AZAA	1	J, T			H7	[AZ]
		1	U			H7	[AZ]
	SK45 1K5AA	1	J, T			H7	[K5]
		1	U			H7	[K5]
	SK45 1L5AA	1	J, T			H7	[L5] CUSHION, Rear Seat, 40%
6	SK49 1AZAA	1	J, T			H7	[AZ]
		1	U			H7	[AZ]
	SK49 1K5AA	1	J, T			H7	[K5]
		1	U			H7	[K5]
	SK49 1L5AA	1	J, T			H7	[L5] PANEL, Seat Cushion Base, 60%
7	5013 119AA	1	J, T			H7	
		1	U			H7	
8							COVER, Rear Seat Cushion, 60%
	SK44 1AZAA	1	J, T			H7	[AZ]
		1	U			H7	[AZ]
	SK44 1K5AA	1	J, T			H7	[K5]
		1	U			H7	[K5]
	SK44 1L5AA	1	J, T			H7	[L5] CUSHION, Rear Seat, 60%
9	SK48 1AZAA	1	J, T			H7	[AZ]
		1	U			H7	[AZ]
	SK48 1K5AA	1	J, T			H7	[K5]
		1	U			H7	[K5]
	SK48 1L5AA	1	J, T			H7	[L5] PANEL, Seat Cushion Base, 40%
10	5013 118AA	1	J, T			H7	
		1	U			H7	
11							HEADREST, Rear, Right
	SK52 1AZAA	1	J, T			H7	[AZ]
	SK52 1K5AA	1	J, T			H7	[K5]
	SK52 1L5AA	1	J, T			H7	[L5]
	TH82 1AZAA	1	J, T			H7	[AZ], Export
		1	U			H7	[AZ]

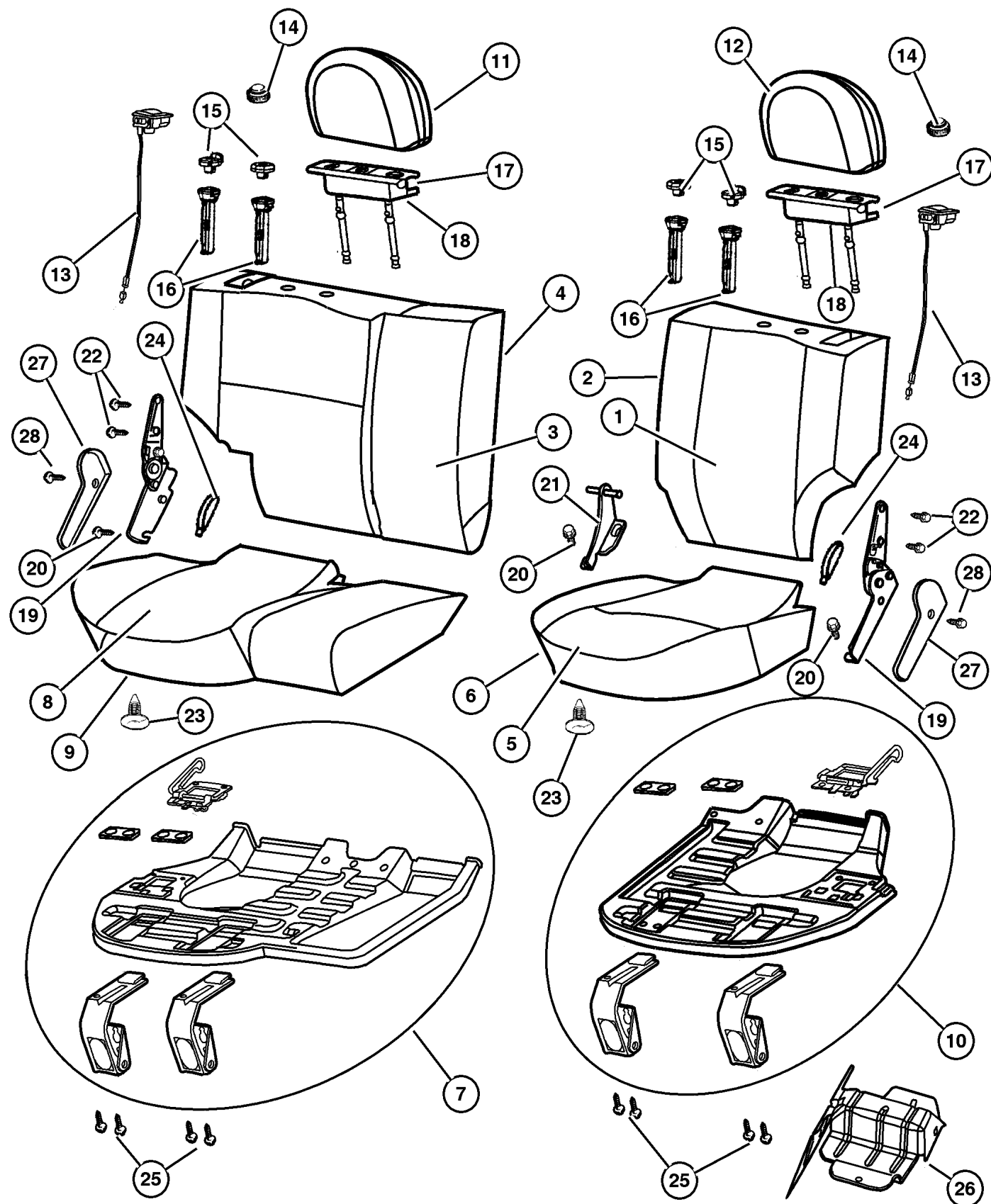
JEEP GRAND CHEROKEE (WJ)

SERIES	LINE	BODY	ENGINE	TRANSMISSION
H=Laredo	J = 4WD	74 = 4 Door(105.9 WB)	ER0, ERH = 4.0L, Power Tech I-6	DGK = 4 Speed Autm, 42RE
P=Limited	T = 2WD		EV0, EVA = 4.7L, Power Tech V8	DGW = 4 Speed Automatic, -44RE
	U = 4WD (RHD)		EXA, EX0 = 3.1L, 5 Cyl Turbo Diesel	DG4 = Multi Speed Automatic, -45RFE
				DGO = All Automatic

AR = Use as required - = Non illustrated part # = New this model year

April 3, 2002

**Rear Seat, Trim Code [H7]
Figure IWJ-610**



ITEM	PART NUMBER	QTY	LINE	SERIES	BODY	TRIM	DESCRIPTION
	TH82 1K5AA	1	J, T			H7	[K5], Export
		1	U			H7	[K5]
12							HEADREST, Rear, Left
	SK53 1AZAA	1	J, T			H7	[AZ]
	SK53 1K5AA	1	J, T			H7	[K5]
	SK53 1L5AA	1	J, T			H7	[L5]
	TH83 1AZAA	1	J, T			H7	[AZ], Export
		1	U			H7	[AZ]
	TH83 1K5AA	1	J, T			H7	[K5], Export
		1	U			H7	[K5]
13							CONTROL, SEAT RELEASE
	SX64 1AZAA	1	J, T			H7	[AZ]
		2	U			H7	[AZ]
	SX64 1K5AA	2	U			H7	[K5]
		1	J, T			H7	[K5]
	SX64 1L5AA	1	J, T			H7	[L5]
14							HANDLE, Headrest
	5013 168AA	1	J, T			H7	Right
		1	U			H7	Right
	5013 169AA	1	U			H7	Left
		1	J, T			H7	Left
15							COVER, Headrest Sleeve
	5013 163AA	1	J, T			H7	Non-Locking
		1	U			H7	Non-Locking
	5013 172AA	1	J, T			H7	Locking
		1	U			H7	Locking
16							CYLINDER, Headrest
	5013 152AA	1	J, T			H7	
		1	U			H7	
17							BRACKET AND HINGE, Headrest
	5016 178AA	1	J, T			H7	Right
	5016 179AA	1	J, T			H7	Left
	5016 180AA	1	U			H7	Right,Export
		1	J, T			H7	Right,Export
	5016 181AA	1	U			H7	Left,Export
		1	J, T			H7	Left,Export
18							SHIELD, Headrest
	5016 920AA	1	J, T			H7	Right
	5016 921AA	1	J, T			H7	Left
19							LATCH, Seat
	5013 150AA	1	J, T			H7	Right
		1	U			H7	Right

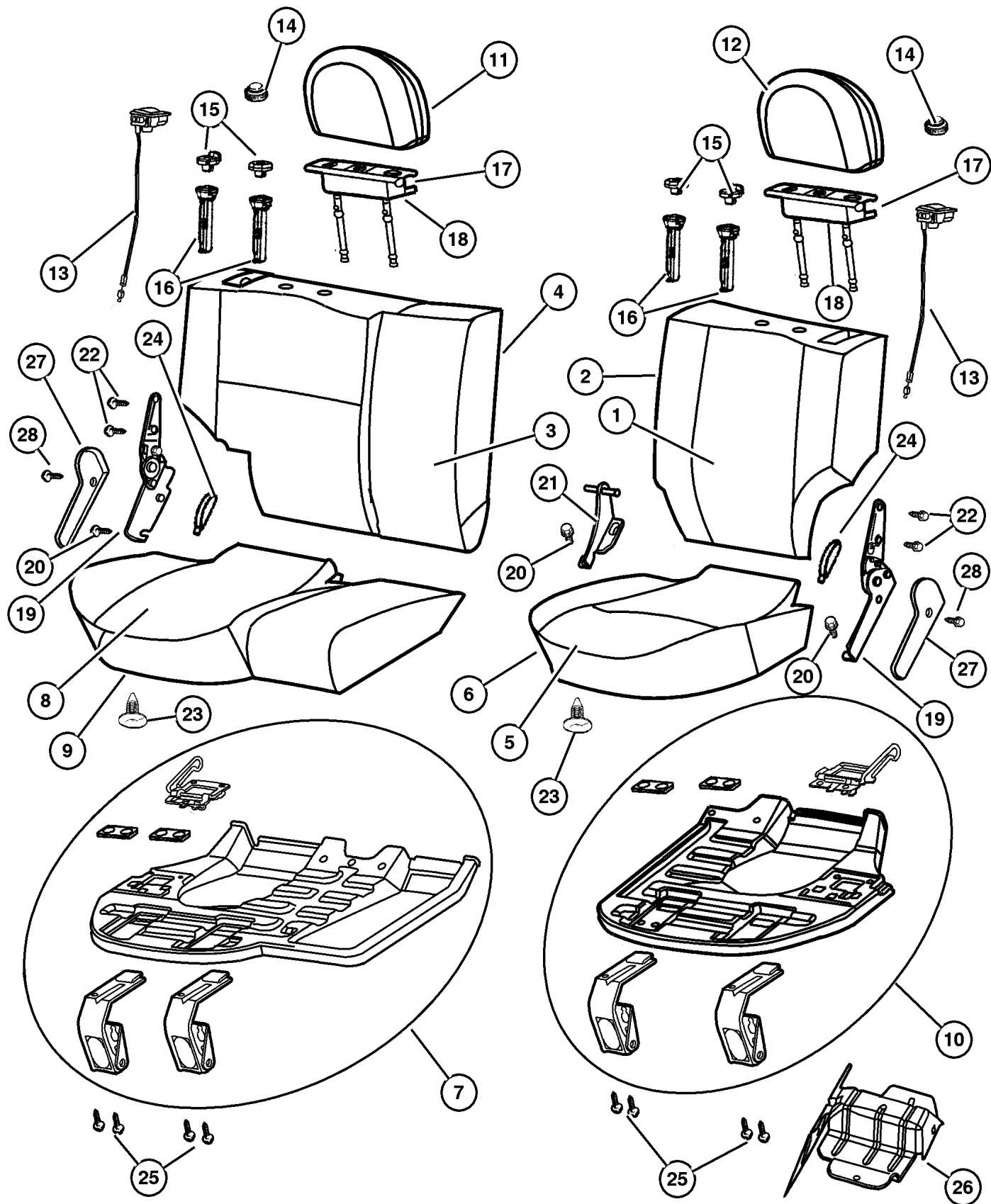
JEEP GRAND CHEROKEE (WJ)

SERIES	LINE	BODY	ENGINE
H=Laredo	J = 4WD	74 = 4 Door(105.9 WB)	ER0, ERH = 4.0L, Power Tech I-6
P=Limited	T = 2WD		EVA, EVA = 4.7L, Power Tech V8
	U = 4WD (RHD)		EXA, EX0 = 3.1L, 5 Cyl Turbo Diesel
			TRANSMISSION
			DGK = 4 Speed Autm, 42RE
			DGW = 4 Speed Automatic, -44RE
			DG4 = Multi Speed Automatic, -45RFE
			DGO = All Automatic

AR = Use as required - = Non illustrated part # = New this model year

April 3, 2002

Rear Seat, Trim Code [H7]
Figure IWJ-610



ITEM	PART NUMBER	QTY	LINE	SERIES	BODY	TRIM	DESCRIPTION
	5013 151AA	1	U			H7	Left
		1	J, T			H7	Left
20	6504 915AA	4					SCREW
21							BRACKET, Pivot
	5013 145AA	1	J, T			H7	
		1	U			H7	
22	4720 768	4	J, T			H7	BOLT, Recliner to Seat Back
23						H7	RETAINER, Cushion Cover
	4720 778	5	J, T			H7	
		5	U			H7	
24							STRAP, Seat Pull
	SL00 1K5AA	2	U			H7	[K5]
		1	J, T			H7	[K5]
	SL00 1AZAA	1	J, T			H7	[AZ]
		2	U			H7	[AZ]
	SL00 1L5AA	1	J, T			H7	[L5]
25	6100 558	8					BOLT AND CONED WASHER, Hex Head, M6x25x14
26							BRACKET, Seat
	55196 740AB	1					Rear Seat Cushion Latch, Right
	55196 741AD	1					Rear Seat Cushion Latch, Left
27							COVER, Seat latch
	#UN70 1AZAA	1	J, T			H7	[AZ], Right
		1	U			H7	[AZ], Right
	#UN70 1K5AA	1	J, T			H7	[K5], Right
		1	U			H7	[K5], Right
	#UN70 1L5AA	1	J, T			H7	[L5], Right
	#UN71 1AZAA	1	J, T			H7	[AZ], Left
		1	U			H7	[AZ], Left
	#UN71 1K5AA	1	J, T			H7	[K5], Left
		1	U			H7	[K5], Left
	#UN71 1L5AA	1	J, T			H7	[L5], Left
28							SCREW, Trim
	4720 769	1	J, T			H7	
		1	U			H7	

JEEP GRAND CHEROKEE (WJ)

SERIES
H=Laredo
P=Limited

LINE
J = 4WD
T = 2WD
U = 4WD (RHD)

BODY
74 = 4 Door(105.9 WB)

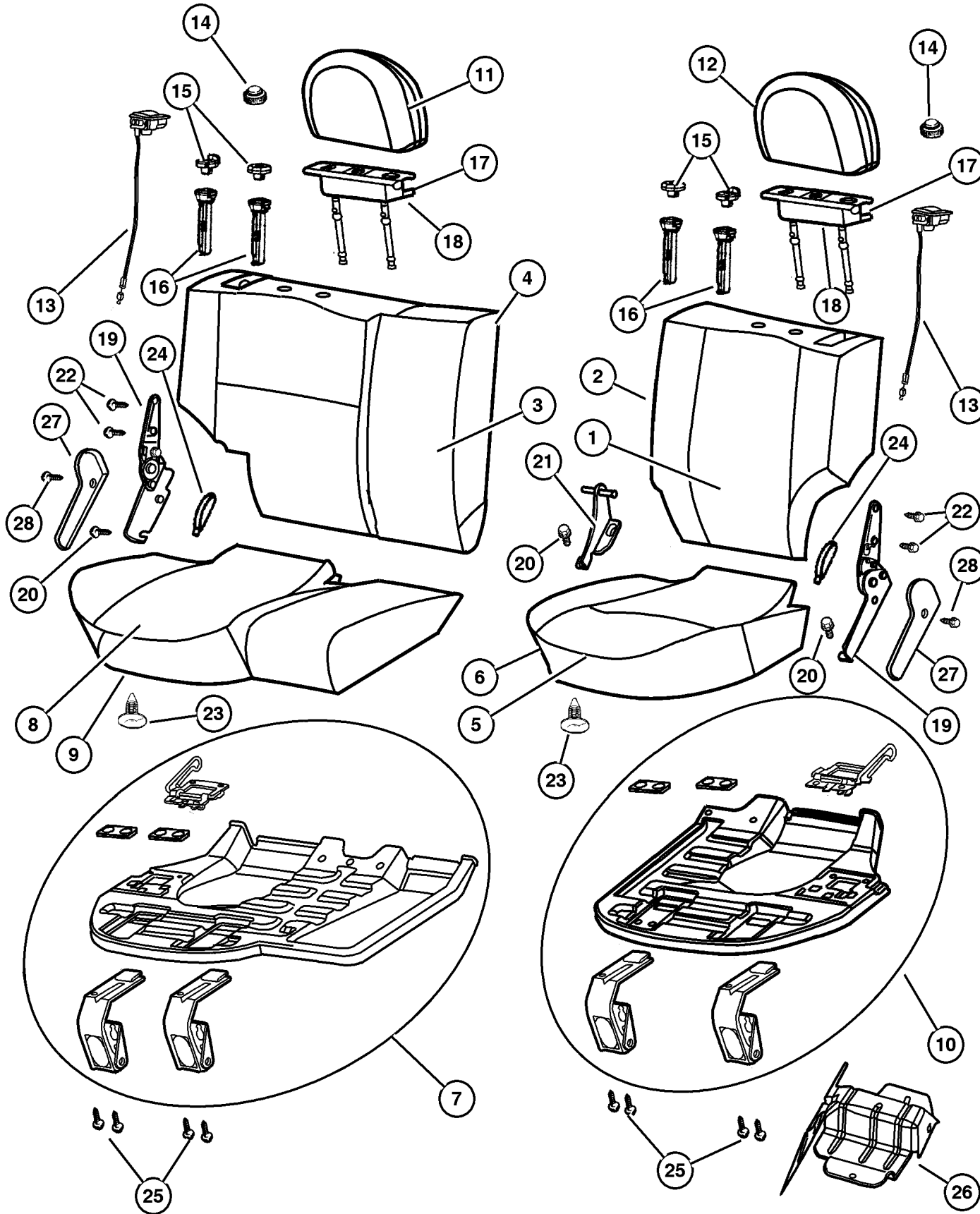
ENGINE
ER0, ERH = 4.0L, Power Tech I-6
EV0, EVA = 4.7L, Power Tech V8
EXA, EX0 = 3.1L, 5 Cyl Turbo Diesel

TRANSMISSION
DGK = 4 Speed Autm, 42RE
DGW = 4 Speed Automatic,
-44RE
DG4 = Multi Speed Automatic,
-45RFE
DGO = All Automatic

AR = Use as required - = Non illustrated part # = New this model year

April 3, 2002

Rear Seat, Trim Code [FL]
Figure IWJ-620



ITEM	PART NUMBER	QTY	LINE	SERIES	BODY	TRIM	DESCRIPTION
NOTE: Seat back and seat back covers have changed in February of 2000. Since there is no definite "Up To" or "After" date, the determining factor is if your vehicle has a Cover, Seat Latch, Item 27. Vehicles built prior to February of 2000 will not have a es built in February of 2000 and beyond. f your vehicle has a Cover, Seat Latch, Item 27. Vehicles built prior to February of 2000 will not have a Seat Latch Cover. Look for a Cover on vehicl							
1							COVER, Rear Seat Back, 40%
	#TU23 1AZAA	1	J, T			FL	[AZ], Without Cover, Seat Latch, Item 27~~
	#TU23 1K5AA	1	J, T			FL	[K5], Without Cover, Seat Latch, Item 27~~
		1	J, T			FL	[L5], Without Cover, Seat Latch, Item 27~~
	#UN67 1AZAA	1	J, T			FL	[AZ], With Cover, Seat Latch, Item 27~~
	#UN67 1K5AA	1	J, T			FL	[K5], With Cover, Seat Latch, Item 27~~
	#UN67 1L5AA	1	J, T			FL	[L5], With Cover, Seat Latch, Item 27~~
2							SEAT BACK, Rear, 40%
	#TU27 1AZAA	1	J, T			FL	[AZ], Without Cover, Seat Latch, Item 27~~
	#TU27 1K5AA	1	J, T			FL	[K5], Without Cover, Seat Latch, Item 27~~
	#TU27 1L5AA	1	J, T			FL	[L5], Without Cover, Seat Latch, Item 27~~
	#UN69 1AZAA	1	J, T			FL	[AZ], With Cover, Seat Latch, Item 27~~
	#UN69 1K5AA	1	J, T			FL	[K5], With Cover, Seat Latch, Item 27~~
	#UN69 1L5AA	1	J, T			FL	[L5], With Cover, Seat Latch, Item 27~~
3							COVER, Rear Seat Back, 60%
	#TU22 1AZAA	1	J, T			FL	[AZ], Without Cover, Seat Latch, Item 27~~
	#TU22 1K5AA	1	J, T			FL	[K5], Without Cover, Seat Latch, Item 27~~
	#TU22 1L5AA	1	J, T			FL	[L5], Without Cover, Seat Latch, Item 27~~
	#UN66 1AZAA	1	J, T			FL	[AZ], With Cover, Seat Latch, Item 27~~
	#UN66 1K5AA	1	J, T			FL	[K5], With Cover, Seat Latch, Item 27~~
	#UN66 1L5AA	1	J, T			FL	[L5], With Cover, Seat Latch, Item 27~~
4							SEAT BACK, Rear, 60%
	#TU26 1AZAA	1	J, T			FL	[AZ], Without Cover, Seat Latch, Item 27~~
	#TU26 1K5AA	1	J, T			FL	[K5], Without Cover, Seat Latch, Item 27~~
	#TU26 1L5AA	1	J, T			FL	[L5], Without Cover, Seat Latch, Item 27~~
	#UN68 1AZAA	1	J, T			FL	[AZ], With Cover, Seat Latch, Item 27~~
	#UN68 1K5AA	1	J, T			FL	[K5], With Cover, Seat Latch, Item 27~~
	#UN68 1L5AA	1	J, T			FL	[L5], With Cover, Seat Latch, Item 27~~
5							COVER, Rear Seat Cushion, 40%
	#TU25 1AZAA	1	J, T			FL	[AZ]
	#TU25 1K5AA	1	J, T			FL	[K5]
	#TU25 1L5AA	1	J, T			FL	[L5]
6							CUSHION, Rear Seat, 40%
	#TU29 1AZAA	1	J, T			FL	[AZ]
	#TU29 1K5AA	1	J, T			FL	[K5]
	#TU29 1L5AA	1	J, T			FL	[L5]
7	5013 119AA	1	J, T			FL	PANEL, Seat Cushion Base, 60%
8							COVER, Rear Seat Cushion, 60%

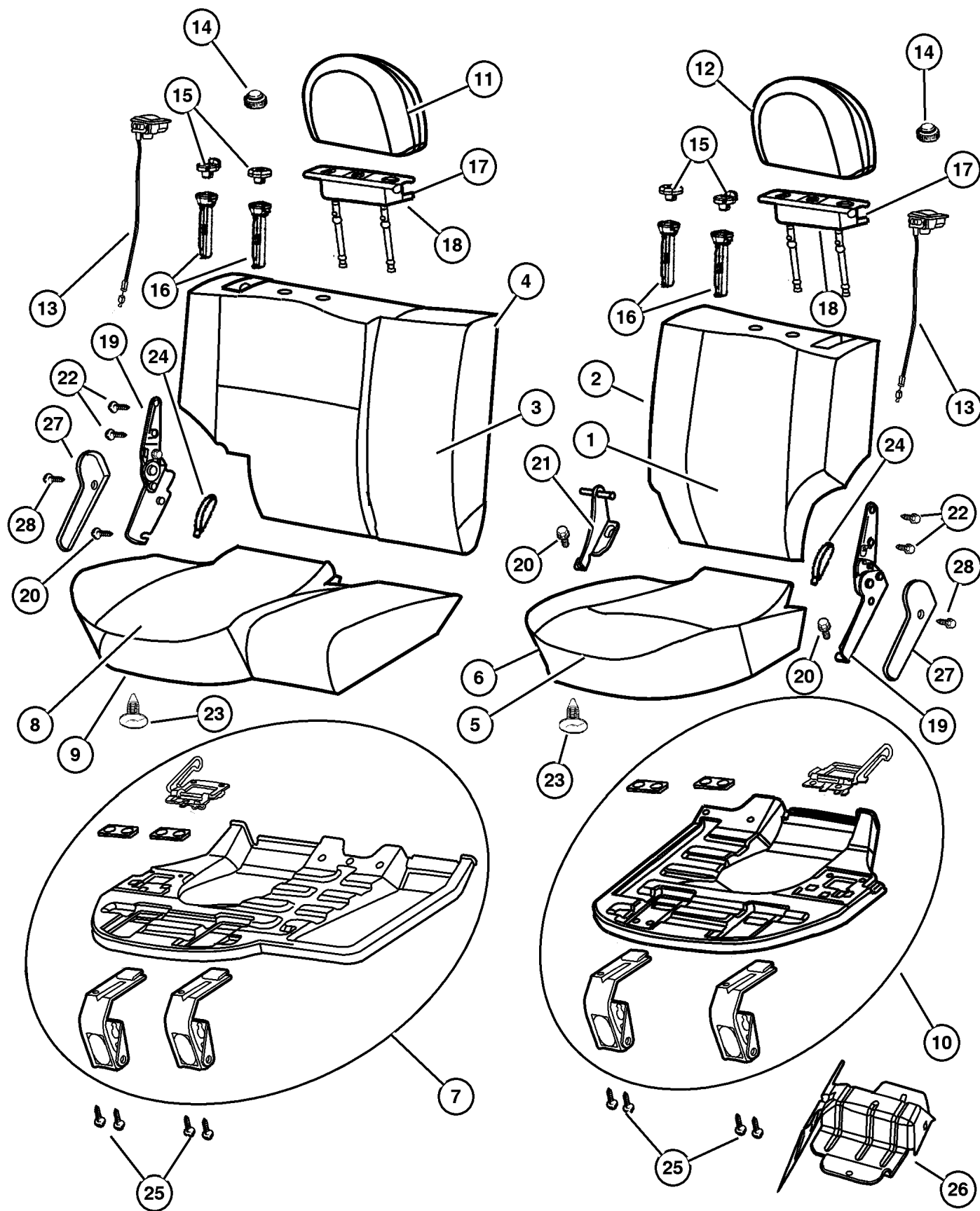
JEEP GRAND CHEROKEE (WJ)

SERIES	LINE	BODY	ENGINE	TRANSMISSION
H=Laredo	J = 4WD	74 = 4 Door(105.9 WB)	ER0, ERH = 4.0L, Power Tech I-6	DGK = 4 Speed Autm, 42RE
P=Limited	T = 2WD		EVO, EVA = 4.7L, Power Tech V8	DGW = 4 Speed Automatic, -44RE
	U = 4WD (RHD)		EXA, EX0 = 3.1L, 5 Cyl Turbo Diesel	DG4 = Multi Speed Automatic, -45RFE
				DGO = All Automatic

AR = Use as required - = Non illustrated part # = New this model year

April 3, 2002

Rear Seat, Trim Code [FL] Figure IWJ-620



ITEM	PART NUMBER	QTY	LINE	SERIES	BODY	TRIM	DESCRIPTION
	#TU24 1AZAA	1	J, T			FL	[AZ]
	#TU24 1K5AA	1	J, T			FL	[K5]
	#TU24 1L5AA	1	J, T			FL	[L5]
9	#TU28 1AZAA	1	J, T			FL	[AZ]
	#TU28 1K5AA	1	J, T			FL	[K5]
	#TU28 1L5AA	1	J, T			FL	[L5]
10	5013 118AA	1	J, T			FL	PANEL, Seat Cushion Base, 40%
11							HEADREST, Rear, Right
	TH74 1AZAA	1	J, T			FL	[AZ]
	TH74 1K5AA	1	J, T			FL	[K5]
	TH74 1L5AA	1	J, T			FL	[L5]
12							HEADREST, Rear, Left
	TH75 1AZAA	1	J, T			FL	[AZ]
	TH75 1K5AA	1	J, T			FL	[K5]
	TH75 1L5AA	1	J, T			FL	[L5]
13							CONTROL, SEAT RELEASE
	SX64 1AZAA	1	J, T			FL	[AZ]
	SX64 1K5AA	1	J, T			FL	[K5]
	SX64 1L5AA	1	J, T			FL	[L5]
14							HANDLE, Headrest
	5013 168AA	1	J, T			FL	Right
	5013 169AA	1	J, T			FL	Left
15							COVER, Headrest Sleeve
	5013 163AA	4	J, T			FL	Non-Locking
	5013 172AA	4	J, T			FL	Locking
16	5013 152AA	1	J, T			FL	CYLINDER, Headrest
17							BRACKET AND HINGE, Headrest
	5016 178AA	1	J, T			FL	Right
	5016 179AA	1	J, T			FL	Left
18							SHIELD, Headrest
	5016 920AA	1	J, T			FL	Right
	5016 921AA	1	J, T			FL	Left
19							LATCH, Seat
	5013 150AA	1	J, T			FL	Right
	5013 151AA	1	J, T			FL	Left
20	6504 915AA	4					SCREW
21	5013 145AA	1	J, T			FL	BRACKET, Pivot
22	4720 768	4	J, T			H7	BOLT, Recliner to Seat Back
23	4720 778	5	J, T			FL	RETAINER, Cushion Cover
24							STRAP, Seat Pull
	SL00 1AZAA	2	J, T			FL	[AZ]

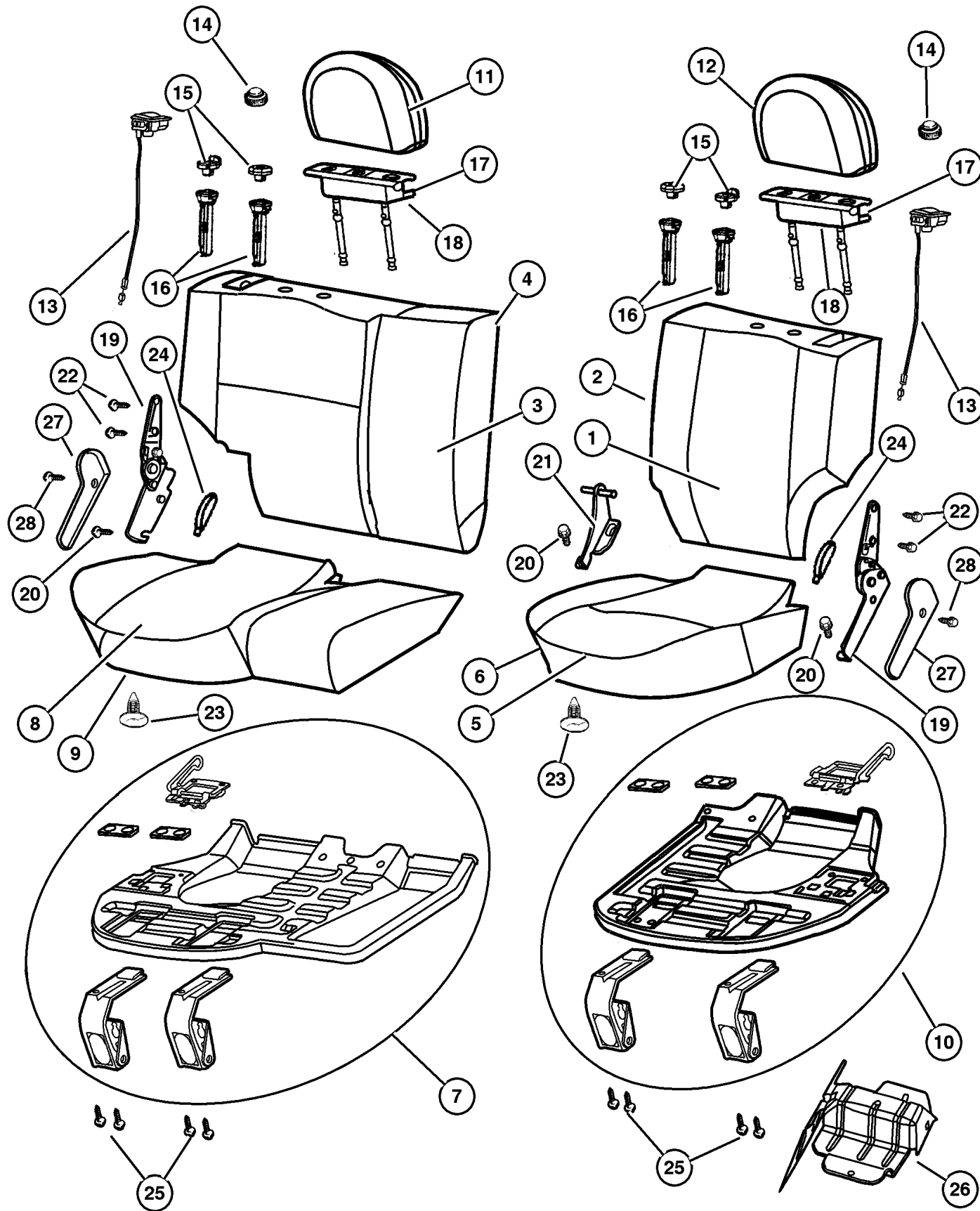
JEEP GRAND CHEROKEE (WJ)

SERIES	LINE	BODY	ENGINE	TRANSMISSION
H=Laredo	J = 4WD	74 = 4 Door(105.9 WB)	ER0, ERH = 4.0L, Power Tech I-6	DGK = 4 Speed Autm, 42RE
P=Limited	T = 2WD		EVO, EVA = 4.7L, Power Tech V8	DGW = 4 Speed Automatic, -44RE
	U = 4WD (RHD)		EXA, EX0 = 3.1L, 5 Cyl Turbo Diesel	DG4 = Multi Speed Automatic, -45RFE
				DGO = All Automatic

AR = Use as required - = Non illustrated part # = New this model year

April 3, 2002

Rear Seat, Trim Code [FL]
Figure IWJ-620



ITEM	PART NUMBER	QTY	LINE	SERIES	BODY	TRIM	DESCRIPTION
	SL00 1K5AA	1	J, T			FL	[K5]
	SL00 1L5AA	2	J, T			FL	[L5]
25	6100 558	8					BOLT AND CONED WASHER, Hex Head, M6x25x14
26							BRACKET, Seat
	55196 740AB	1					Rear Seat Cushion Latch, Right
	55196 741AD	1					Rear Seat Cushion Latch, Left
27							COVER, Seat latch
	#UN70 1AZAA	1	J, T			FL	[AZ], Right
	#UN70 1K5AA	1	J, T			FL	[K5], Right
	#UN70 1L5AA	1	J, T			FL	[L5], Right
	#UN71 1AZAA	1	J, T			FL	[AZ], Left
	#UN71 1K5AA	1	J, T			FL	[K5], Left
	#UN71 1L5AA	1	J, T			FL	[L5], Left
28	4720 769	1	J, T			FL	SCREW, Trim

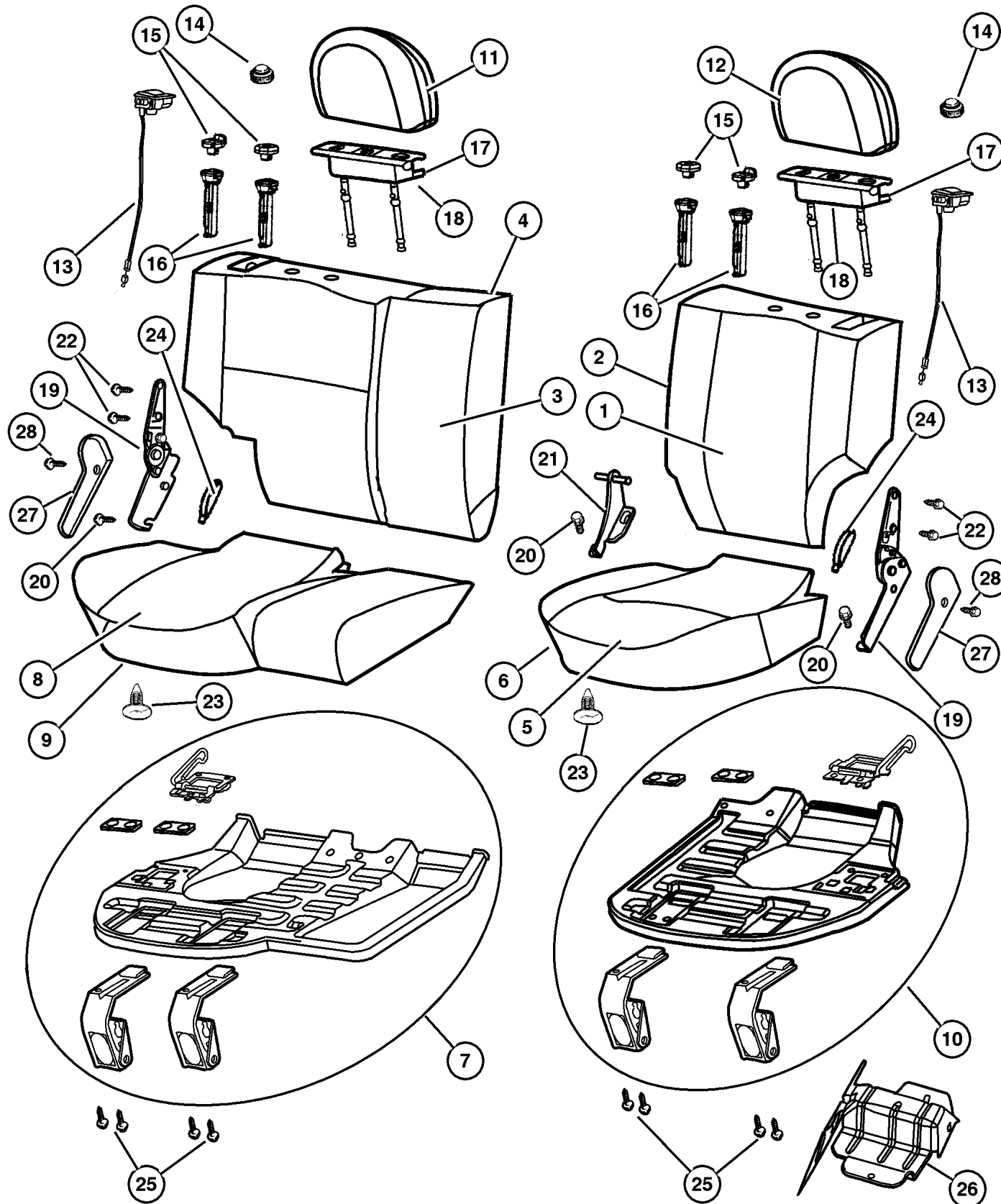
JEEP GRAND CHEROKEE (WJ)

SERIES	LINE	BODY	ENGINE	TRANSMISSION
H=Laredo	J = 4WD	74 = 4 Door(105.9 WB)	ER0, ERH = 4.0L, Power Tech I-6	DGK = 4 Speed Autm, 42RE
P=Limited	T = 2WD		EVO, EVA = 4.7L, Power Tech V8	DGW = 4 Speed Automatic, -44RE
	U = 4WD (RHD)		EXA, EX0 = 3.1L, 5 Cyl Turbo Diesel	DG4 = Multi Speed Automatic, -45RFE
				DGO = All Automatic

AR = Use as required - = Non illustrated part # = New this model year

April 3, 2002

Rear Seat, Trim Code [DL]
Figure IWJ-630

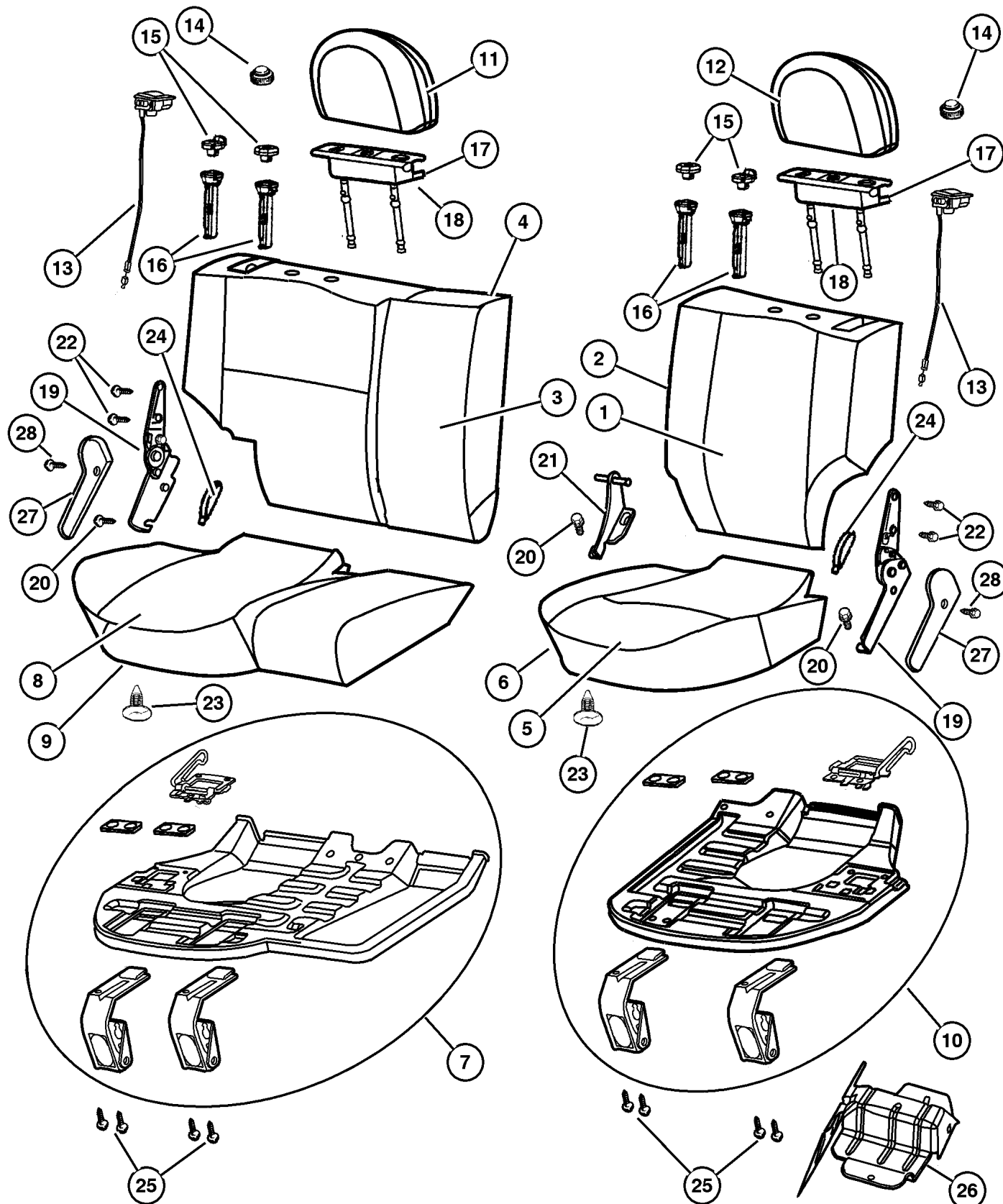


ITEM	PART NUMBER	QTY	LINE	SERIES	BODY	TRIM	DESCRIPTION
NOTE: Seat back and seat back covers have changed in February of 2000. Since there is no definite "Up To" or "After" date, the determining factor is if your vehicle has a Cover, Seat Latch, Item 27. Vehicles built prior to February of 2000 will not have a es built in February of 2000 and beyond. f your vehicle has a Cover, Seat Latch, Item 27. Vehicles built prior to February of 2000 will not have a Seat Latch Cover. Look for a Cover on vehicl							
1	COVER, Rear Seat Back, 40%						
	#TU41 1AZAA	1	J, T			DL	[AZ], Without Cover, Seat Latch, Item 27
	#TU41 1K5AA	1	J, T			DL	[K5], Without Cover, Seat Latch, Item 27
	#TU41 1L5AA	1	J, T			DL	[L5], Without Cover, Seat Latch, Item 27
	#UN63 1AZAA	1	J, T			DL	[AZ], With Cover, Seat Latch, Item 27
	#UN63 1K5AA	1	J, T			DL	[K5], With Cover, Seat Latch, Item 27
	#UN63 1L5AA	1	J, T			DL	[L5], With Cover, Seat Latch, Item 27
2	SEAT BACK, Rear, 40%						
	#TU45 1AZAA	1	J, T			DL	[AZ], Without Cover, Seat Latch, Item 27
	#TU45 1K5AA	1	J, T			DL	[K5], Without Cover, Seat Latch, Item 27
	#TU45 1L5AA	1	J, T			DL	[L5], Without Cover, Seat Latch, Item 27
	#UN65 1AZAA	1	J, T			DL	[AZ], With Cover, Seat Latch, Item 27
	#UN65 1K5AA	1	J, T			DL	[K5], With Cover, Seat Latch, Item 27
	#UN65 1L5AA	1	J, T			DL	[L5], With Cover, Seat Latch, Item 27
3	COVER, Rear Seat Back, 60%						
	#TU40 1AZAA	1	J, T			DL	[AZ], Without Cover, Seat Latch, Item 27
	#TU40 1K5AA	1	J, T			DL	[K5], Without Cover, Seat Latch, Item 27
	#TU40 1L5AA	1	J, T			DL	[L5], Without Cover, Seat Latch, Item 27
	#UN62 1AZAA	1	J, T			DL	[AZ], With Cover, Seat Latch, Item 27
	#UN62 1K5AA	1	J, T			DL	[K5], With Cover, Seat Latch, Item 27
	#UN62 1L5AA	1	J, T			DL	[L5], With Cover, Seat Latch, Item 27
4	SEAT BACK, Rear, 60%						
	#TU44 1AZAA	1	J, T			DL	[AZ], Without Cover, Seat Latch, Item 27
	#TU44 1K5AA	1	J, T			DL	[K5], Without Cover, Seat Latch, Item 27
	#TU44 1L5AA	1	J, T			DL	[L5], Without Cover, Seat Latch, Item 27
	#UN64 1AZAA	1	J, T			DL	[AZ], With Cover, Seat Latch, Item 27
	#UN64 1K5AA	1	J, T			DL	[K5], With Cover, Seat Latch, Item 27
	#UN64 1L5AA	1	J, T			DL	[L5], With Cover, Seat Latch, Item 27
5	COVER, Rear Seat Cushion, 40%						
	#TU43 1AZAA	1	J, T			DL	[AZ]
	#TU43 1K5AA	1	J, T			DL	[K5]
	#TU43 1L5AA	1	J, T			DL	[L5]
6	CUSHION, Rear Seat, 40%						
	#TU47 1AZAA	1	J, T			DL	[AZ]
	#TU47 1K5AA	1	J, T			DL	[K5]
	#TU47 1L5AA	1	J, T			DL	[L5]
7	5013 119AA	1	J, T			DL	PANEL, Seat Cushion Base, 60%
8	COVER, Rear Seat Cushion, 60%						

JEEP GRAND CHEROKEE (WJ)

SERIES	LINE	BODY	ENGINE	TRANSMISSION
H=Laredo	J = 4WD	74 = 4 Door(105.9 WB)	ER0, ERH = 4.0L, Power Tech I-6	DGK = 4 Speed Autm, 42RE
P=Limited	T = 2WD		EVO, EVA = 4.7L, Power Tech V8	DGW = 4 Speed Automatic, -44RE
	U = 4WD (RHD)		EXA, EX0 = 3.1L, 5 Cyl Turbo Diesel	DG4 = Multi Speed Automatic, -45RFE
				DGO = All Automatic

Rear Seat, Trim Code [DL]
Figure IWJ-630



ITEM	PART NUMBER	QTY	LINE	SERIES	BODY	TRIM	DESCRIPTION
	#TU42 1AZAA	1	J, T			DL	[AZ]
	#TU42 1K5AA	1	J, T			DL	[K5]
	#TU42 1L5AA	1	J, T			DL	[L5]
9	#TU46 1AZAA	1	J, T			DL	[AZ]
	#TU46 1K5AA	1	J, T			DL	[K5]
	#TU46 1L5AA	1	J, T			DL	[L5]
10	5013 118AA	1	J, T			DL	PANEL, Seat Cushion Base, 40%
11							HEADREST, Rear, Right
	TH76 1AZAA	1	J, T			DL	[AZ]
	TH76 1K5AA	1	J, T			DL	[K5]
	TH76 1L5AA	1	J, T			DL	[L5]
12							HEADREST, Rear, Left
	TH77 1AZAA	1	J, T			DL	[AZ]
	TH77 1K5AA	1	J, T			DL	[K5]
	TH77 1L5AA	1	J, T			DL	[L5]
13							CONTROL, SEAT RELEASE
	SX64 1AZAA	1	J, T			DL	[AZ]
	SX64 1K5AA	1	J, T			DL	[K5]
	SX64 1L5AA	1	J, T			DL	[L5]
14							HANDLE, Headrest
	5013 168AA	1	J, T			DL	Right
	5013 169AA	1	J, T			DL	Left
15							COVER, Headrest Sleeve
	5013 163AA	4	J, T			DL	Non-Locking
	5013 172AA	4	J, T			DL	Locking
16	5013 152AA	8	J, T			DL	CYLINDER, Headrest
17							BRACKET AND HINGE, Headrest
	5016 178AA	1	J, T			DL	Right
	5016 179AA	1	J, T			DL	Left
18							SHIELD, Headrest
	5016 920AA	1	J, T			DL	Right
	5016 921AA	1	J, T			DL	Left
19							LATCH, Seat
	5013 150AA	1	J, T			DL	Right
	5013 151AA	1	J, T			DL	Left
20	6504 915AA	4					SCREW
21	5013 145AA	1	J, T			DL	BRACKET, Pivot
22	4720 768	4	J, T			H7	BOLT, Recliner to Seat Back
23	4720 778	5	J, T			DL	RETAINER, Cushion Cover
24							STRAP, Seat Pull
	SL00 1AZAA	2	J, T			DL	[AZ]

JEEP GRAND CHEROKEE (WJ)

SERIES
H=Laredo
P=Limited

LINE
J = 4WD
T = 2WD
U = 4WD (RHD)

BODY
74 = 4 Door(105.9 WB)

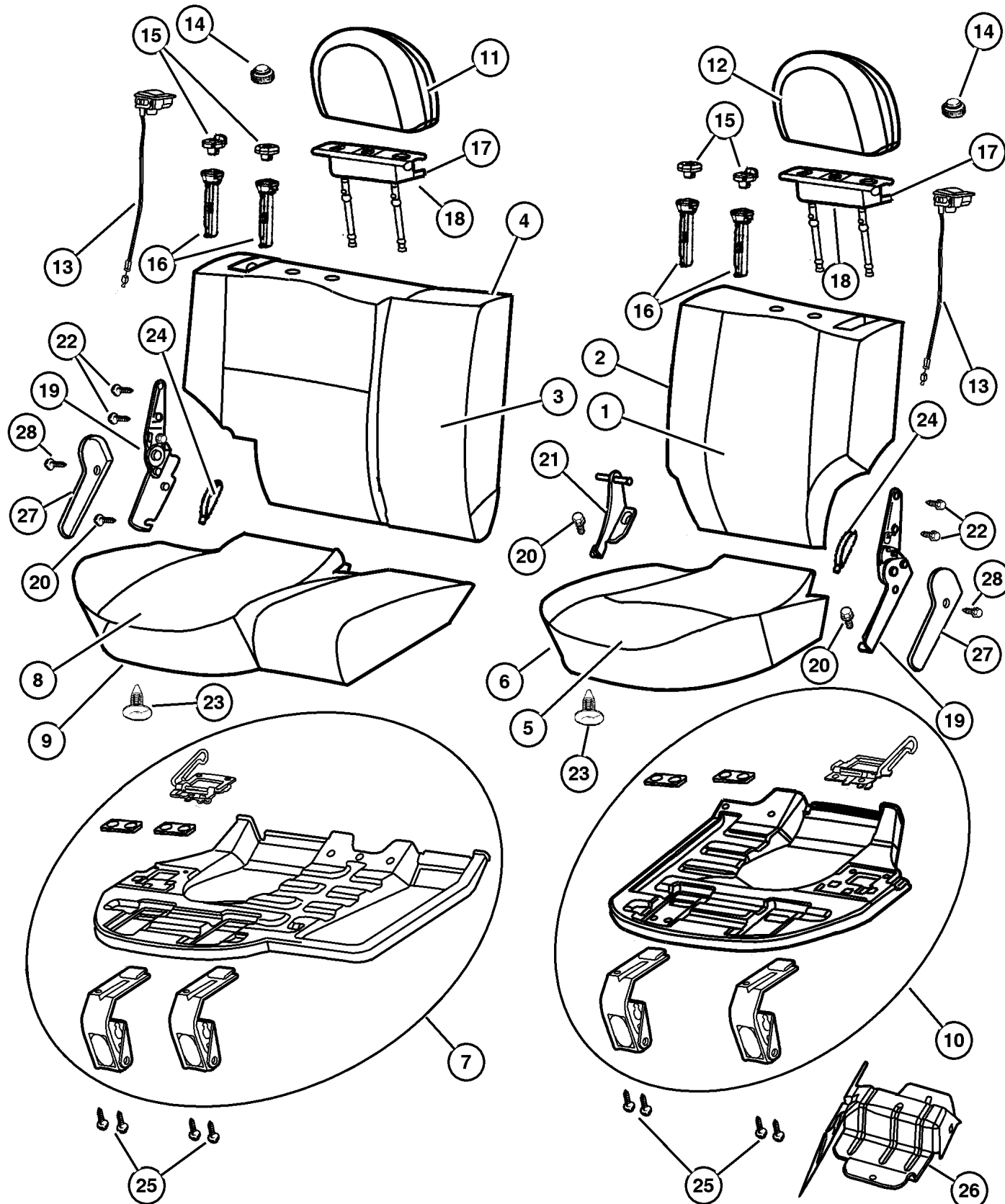
ENGINE
ER0, ERH = 4.0L, Power Tech I-6
EV0, EVA = 4.7L, Power Tech V8
EXA, EX0 = 3.1L, 5 Cyl Turbo Diesel

TRANSMISSION
DGK = 4 Speed Autm, 42RE
DGW = 4 Speed Automatic,
-44RE
DG4 = Multi Speed Automatic,
-45RFE
DGO = All Automatic

AR = Use as required - = Non illustrated part # = New this model year

April 3, 2002

Rear Seat, Trim Code [DL]
Figure IWJ-630



ITEM	PART NUMBER	QTY	LINE	SERIES	BODY	TRIM	DESCRIPTION
	SL00 1K5AA	2	J, T			DL	[K5]
	SL00 1L5AA	2	J, T			DL	[L5]
25	6100 558	8					BOLT AND CONED WASHER, Hex Head, M6x25x14
26							BRACKET, Seat
	55196 740AB	1					Rear Seat Cushion Latch, Right
	55196 741AD	1					Rear Seat Cushion Latch, Left
27							COVER, Seat latch
	#UN70 1AZAA	1	J, T			DL	[AZ], Right
	#UN70 1K5AA	1	J, T			DL	[K5], Right
	#UN70 1L5AA	1	J, T			DL	[L5], Right
	#UN71 1AZAA	1	J, T			DL	[AZ], Left
	#UN71 1K5AA	1	J, T			DL	[K5], Left
	#UN71 1L5AA	1	J, T			DL	[L5], Left
28	4720 769	1	J, T			DL	SCREW, Trim

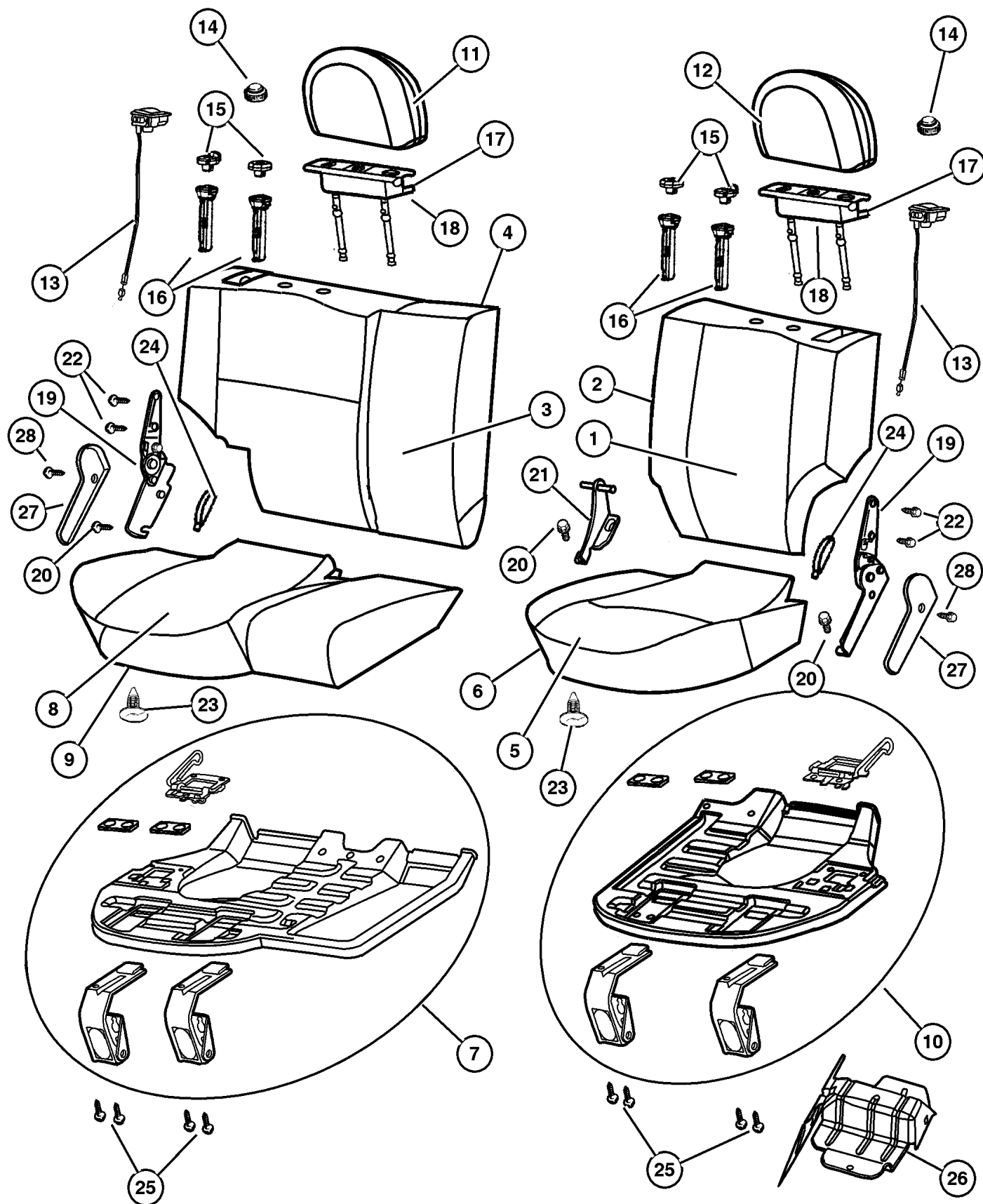
JEEP GRAND CHEROKEE (WJ)

SERIES	LINE	BODY	ENGINE	TRANSMISSION
H=Laredo	J = 4WD	74 = 4 Door(105.9 WB)	ER0, ERH = 4.0L, Power Tech I-6	DGK = 4 Speed Autm, 42RE
P=Limited	T = 2WD		EVO, EVA = 4.7L, Power Tech V8	DGW = 4 Speed Automatic, -44RE
	U = 4WD (RHD)		EXA, EX0 = 3.1L, 5 Cyl Turbo Diesel	DG4 = Multi Speed Automatic, -45RFE
				DGO = All Automatic

AR = Use as required - = Non illustrated part # = New this model year

April 3, 2002

Rear Seat, Trim Code [EL] Figure IWJ-640



ITEM	PART NUMBER	QTY	LINE	SERIES	BODY	TRIM	DESCRIPTION
------	-------------	-----	------	--------	------	------	-------------

NOTE: Seat back and seat back covers have changed in February of 2000. Since there is no definite "Up To" or "After" date, the determining factor is if your vehicle has a Cover, Seat Latch, Item 27. Vehicles built prior to February of 2000 will not have a Cover, Seat Latch, Item 27. Vehicles built in February of 2000 and beyond, if your vehicle has a Cover, Seat Latch, Item 27. Vehicles built prior to February of 2000 will not have a Seat Latch Cover. Look for a Cover on vehicle

1							COVER, Rear Seat Back, 40%
	#TV43 1AZAA	1	J, T			EL	[AZ], Without Cover, Seat Latch, Item 27
		1	U			EL	[AZ], Without Cover, Seat Latch, Item 27
	#TV43 1K5AA	1	J, T			EL	[K5], Without Cover, Seat Latch, Item 27
		1	U			EL	[K5], Without Cover, Seat Latch, Item 27
	#UK15 1AZAA	1	J, T			EL	[AZ], With Cover, Seat Latch, Item 27
		1	U			EL	[AZ], With Cover, Seat Latch, Item 27
	#UK15 1K5AA	1	U			EL	[K5], With Cover, Seat Latch, Item 27
		1	J, T			EL	[K5], With Cover, Seat Latch, Item 27
2							SEAT BACK, Rear, 40%
	#TV47 1AZAA	1	J, T			EL	[AZ], Without Cover, Seat Latch, Item 27
		1	U			EL	[AZ], Without Cover, Seat Latch, Item 27
	#TV47 1K5AA	1	J, T			EL	[K5], Without Cover, Seat Latch, Item 27
		1	U			EL	[K5], Without Cover, Seat Latch, Item 27
	#UK13 1AZAA	1	U			EL	[AZ], With Cover, Seat Latch, Item 27
		1	J, T			EL	[AZ], With Cover, Seat Latch, Item 27
	#UK13 1K5AA	1	U			EL	[K5], With Cover, Seat Latch, Item 27
		1	J, T			EL	[K5], With Cover, Seat Latch, Item 27
3							COVER, Rear Seat Back, 60%
	#TV42 1AZAA	1	J, T			EL	[AZ], Without Cover, Seat Latch, Item 27
		1	U			EL	[AZ], Without Cover, Seat Latch, Item 27
	#TV42 1K5AA	1	J, T			EL	[K5], Without Cover, Seat Latch, Item 27
		1	U			EL	[K5], Without Cover, Seat Latch, Item 27
	#UK14 1AZAA	1	U			EL	[AZ], With Cover, Seat Latch, Item 27
		1	J, T			EL	[AZ], With Cover, Seat Latch, Item 27
	#UK14 1K5AA	1	U			EL	[K5], With Cover, Seat Latch, Item 27
		1	J, T			EL	[K5], With Cover, Seat Latch, Item 27
4							SEAT BACK, Rear, 60%
	#TV46 1AZAA	1	J, T			EL	[AZ], Without Cover, Seat Latch, Item 27
		1	U			EL	[AZ], Without Cover, Seat Latch, Item 27
	#TV46 1K5AA	1	J, T			EL	[K5], Without Cover, Seat Latch, Item 27
		1	U			EL	[K5], Without Cover, Seat Latch, Item 27
	#UK12 1AZAA	1	U			EL	[AZ], With Cover, Seat Latch, Item 27
		1	J, T			EL	[AZ], With Cover, Seat Latch, Item 27
	#UK12 1K5AA	1	U			EL	[K5], With Cover, Seat Latch, Item 27
		1	J, T			EL	[K5], With Cover, Seat Latch, Item 27
5							COVER, Rear Seat Cushion, 40%
	#TV45 1AZAA	1	J, T			EL	[AZ]

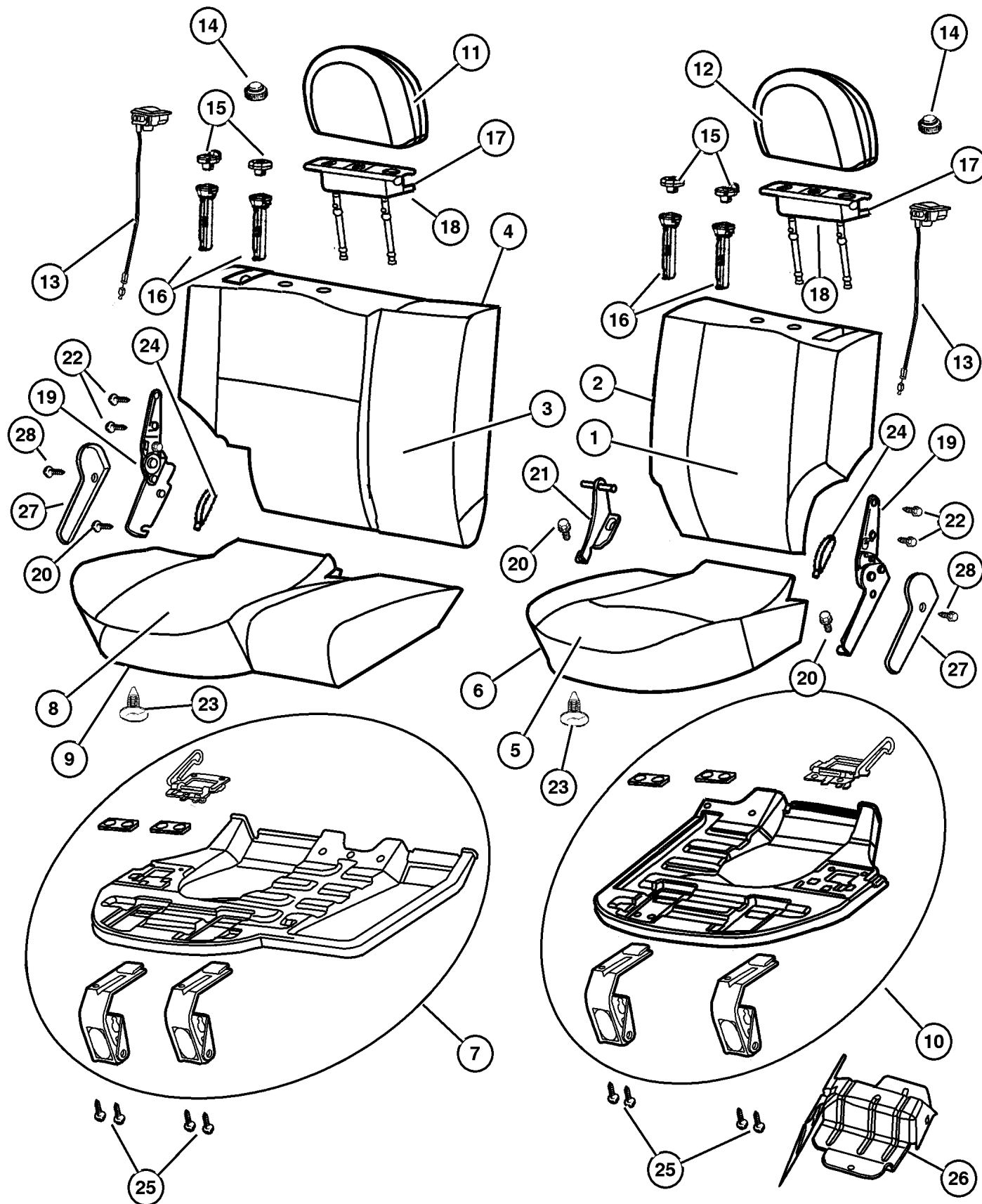
JEEP GRAND CHEROKEE (WJ)

SERIES	LINE	BODY	ENGINE	TRANSMISSION
H=Laredo	J = 4WD	74 = 4 Door(105.9 WB)	ER0, ERH = 4.0L, Power Tech I-6	DGK = 4 Speed Autm, 42RE
P=Limited	T = 2WD		EVO, EVA = 4.7L, Power Tech V8	DGW = 4 Speed Automatic, -44RE
	U = 4WD (RHD)		EXA, EX0 = 3.1L, 5 Cyl Turbo Diesel	DG4 = Multi Speed Automatic, -45RFE
				DGO = All Automatic

AR = Use as required - = Non illustrated part # = New this model year

April 3, 2002

Rear Seat, Trim Code [EL]
Figure IWJ-640



ITEM	PART NUMBER	QTY	LINE	SERIES	BODY	TRIM	DESCRIPTION
		1	U			EL [AZ]	
	#TV45 1K5AA	1	J, T			EL [K5]	
6	#TV49 1AZAA	1	J, T			EL [AZ]	CUSHION, Rear Seat, 40%
	#TV49 1K5AA	1	J, T			EL [K5]	
		1	U			EL [AZ]	
7	#TV49 1K5AA	1	J, T			EL [K5]	PANEL, Seat Cushion Base, 60%
		1	U			EL [K5]	
	5013 119AA	1	J, T			EL	
		1	U			EL	
8							COVER, Rear Seat Cushion, 60%
	#TV44 1AZAA	1	J, T			EL [AZ]	
	#TV44 1K5AA	1	J, T			EL [K5]	
		1	U			EL [K5]	
9							CUSHION, Rear Seat, 60%
	#TV48 1AZAA	1	J, T			EL [AZ]	
		1	U			EL [AZ]	
	#TV48 1K5AA	1	J, T			EL [K5]	
		1	U			EL [K5]	
10							PANEL, Seat Cushion Base, 40%
	5013 118AA	1	J, T			EL	
		1	U			EL	
11							HEADREST, Rear, Right
	TH80 1AZAA	1	J, T			EL [AZ]	
		1	U			EL [AZ]	
	TH80 1K5AA	1	J, T			EL [K5]	
		1	U			EL [K5]	
12							HEADREST, Rear, Left
	TH81 1AZAA	1	J, T			EL [AZ]	
		1	U			EL [AZ]	
	TH81 1K5AA	1	J, T			EL [K5]	
		1	U			EL [K5]	
13							CONTROL, SEAT RELEASE
	SX64 1AZAA	2	J, T			EL [AZ]	
		2	U			EL [AZ]	
	SX64 1K5AA	2	J, T			EL [K5]	
		2	U			EL [K5]	
14							HANDLE, Headrest
	5013 168AA	1	J, T			EL Right	
		1	U			EL Right	

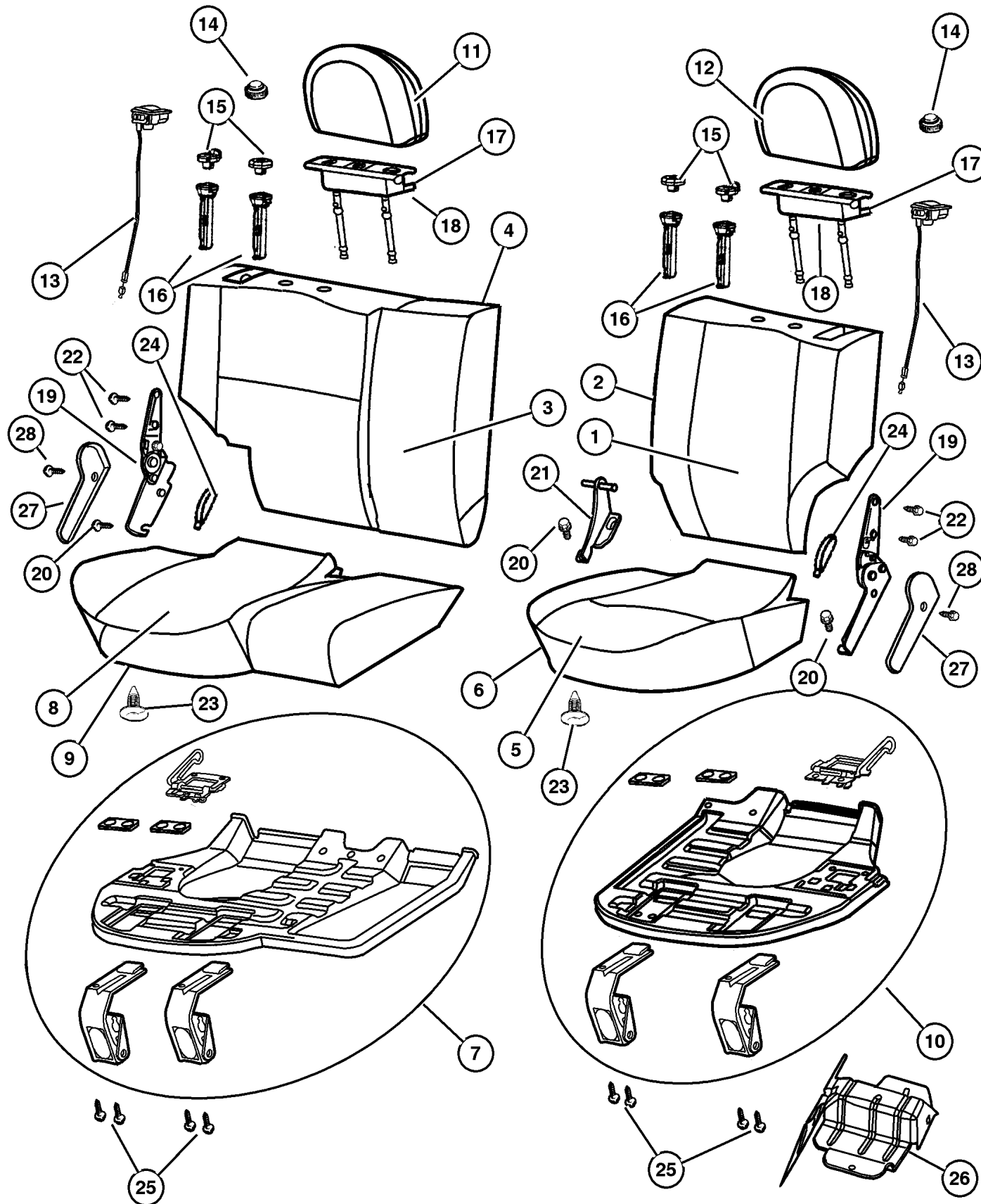
JEEP GRAND CHEROKEE (WJ)

SERIES	LINE	BODY	ENGINE	TRANSMISSION
H=Laredo	J = 4WD	74 = 4 Door(105.9 WB)	ER0, ERH = 4.0L, Power Tech I-6	DGK = 4 Speed Autm, 42RE
P=Limited	T = 2WD		EVO, EVA = 4.7L, Power Tech V8	DGW = 4 Speed Automatic, -44RE
	U = 4WD (RHD)		EXA, EX0 = 3.1L, 5 Cyl Turbo Diesel	DG4 = Multi Speed Automatic, -45RFE
				DGO = All Automatic

AR = Use as required - = Non illustrated part # = New this model year

April 3, 2002

Rear Seat, Trim Code [EL]
Figure IWJ-640



ITEM	PART NUMBER	QTY	LINE	SERIES	BODY	TRIM	DESCRIPTION
	5013 169AA	1	J, T			EL	Left
		1	U			EL	Left
15	5013 163AA	8	J, T			EL	COVER, Headrest Sleeve
		8	U			EL	Non-Locking
	5013 172AA	8	J, T			EL	Locking
		8	U			EL	Locking
16	5013 152AA	8	J, T			EL	CYLINDER, Headrest
		8	U			EL	
17	5016 180AA	1	J, T			EL	BRACKET AND HINGE, Headrest
		1	U			EL	Right
	5016 181AA	1	J, T			EL	Left
		1	U			EL	Left
18	5016 920AA	1	J, T			EL	SHIELD, Headrest
		1	U			EL	Right
	5016 921AA	1	J, T			EL	Left
		1	U			EL	Left
19	5013 150AA	1	J, T			EL	LATCH, Seat
		1	U			EL	Right
	5013 151AA	1	J, T			EL	Left
		1	U			EL	Left
20	6504 915AA	4					SCREW
21	5013 145AA	1	J, T			EL	BRACKET, Pivot
		1	U			EL	
22	4720 768	4	J, T			H7	BOLT, Recliner to Seat Back
23	4720 778	5	J, T			EL	RETAINER, Cushion Cover
		5	U			EL	
24	SL00 1AZAA	2	J, T			EL	STRAP, Seat Pull
		2	U			EL	[AZ]
	SL00 1K5AA	2	J, T			EL	[K5]
		2	U			EL	[K5]
25	6100 558	8					BOLT AND CONED WASHER, Hex Head, M6x25x14
26							BRACKET, Seat
	55196 740AB	1					Rear Seat Cushion Latch, Right
	55196 741AD	1					Rear Seat Cushion Latch, Left

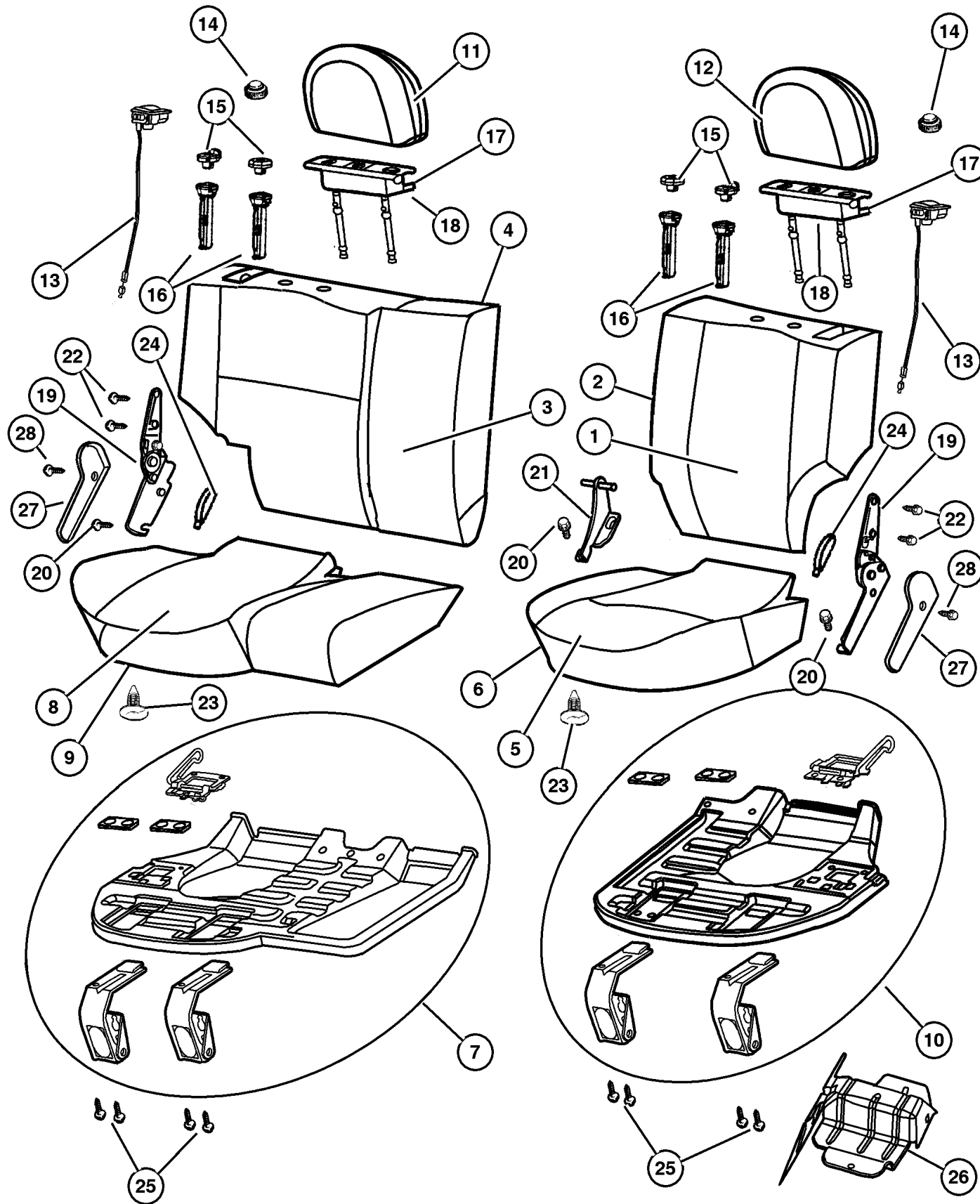
JEEP GRAND CHEROKEE (WJ)

SERIES	LINE	BODY	ENGINE	TRANSMISSION
H=Laredo	J = 4WD	74 = 4 Door(105.9 WB)	ER0, ERH = 4.0L, Power Tech I-6	DGK = 4 Speed Autm, 42RE
P=Limited	T = 2WD		EVO, EVA = 4.7L, Power Tech V8	DGW = 4 Speed Automatic, -44RE
	U = 4WD (RHD)		EXA, EX0 = 3.1L, 5 Cyl Turbo Diesel	DG4 = Multi Speed Automatic, -45RFE
				DGO = All Automatic

AR = Use as required - = Non illustrated part # = New this model year

April 3, 2002

Rear Seat, Trim Code [EL]
Figure IWJ-640



ITEM	PART NUMBER	QTY	LINE	SERIES	BODY	TRIM	DESCRIPTION
27							COVER, Seat latch
	#UN70 1AZAA	1	J, T			EL	[AZ], Right
	#UN70 1K5AA	1	J, T			EL	[K5], Right
	#UN71 1AZAA	1	J, T			EL	[AZ], Left
	#UN71 1K5AA	1	J, T			EL	[K5], Left
28							SCREW, Trim
	4720 769	2	U			EL	
		2	J, T			EL	

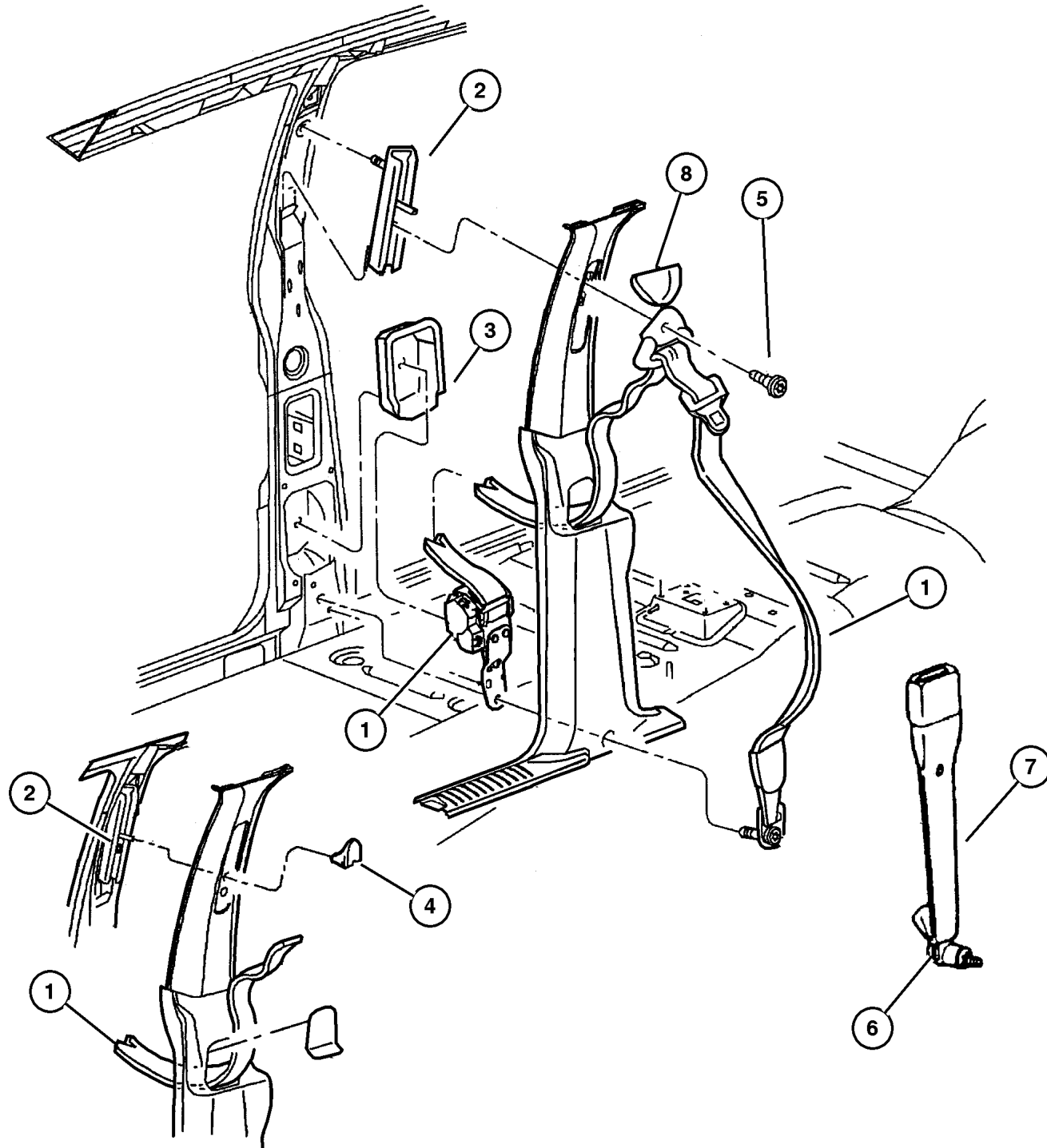
JEEP GRAND CHEROKEE (WJ)

SERIES	LINE	BODY	ENGINE	TRANSMISSION
H=Laredo	J = 4WD	74 = 4 Door(105.9 WB)	ER0, ERH = 4.0L, Power Tech I-6	DGK = 4 Speed Autm, 42RE
P=Limited	T = 2WD		EVO, EVA = 4.7L, Power Tech V8	DGW = 4 Speed Automatic, -44RE
	U = 4WD (RHD)		EXA, EX0 = 3.1L, 5 Cyl Turbo Diesel	DG4 = Multi Speed Automatic, -45RFE
				DGO = All Automatic

AR = Use as required - = Non illustrated part # = New this model year

April 3, 2002

Front Seat
Figure IWJ-710



ITEM	PART NUMBER	QTY	LINE	SERIES	BODY	TRIM	DESCRIPTION
1							SEAT BELT, Front Outer
	55196 786AD	1					Right,Export
	55196 787AD	1					Left,Export
	5GD60 1L5AC	1					[L5], Right
	5GD60 LAZAC	1					[AZ], Right
	5GD60 RK5AC	1					[K5], Right
	5GD61 1L5AD	1					[L5]
	5GD61 LAZAD	1					[AZ], Left
	5GD61 RK5AD	1					[K5], Left
2	55196 689AB	2					ADJUSTER, Seat Belt Turning Loop
3							SHIELD, Seat Belt Retractor
	55196 734AB	1					Right
	55196 735AB	1					Left
4	55196 860AA	2					BUTTON, Adjuster
5	6035 888	2					SCREW, Shoulder
6	6504 867AA	1					SCREW
7							SEAT BELT, Front Inner
	55196 778AA	1	U			EL	Right,Export
		1	U			H7	Right,Export
	55196 779AA	1	J, T			EL	Left,Export
		1	J, T			H7	Left,Export
	5531 4894	1	J, T			H7	Right,Export
		1	J, T			EL	Right,Export
	5531 4895	1	U			EL	Left,Export
		1	U			H7	Left,Export
	5GU08 1AZAC	1	J, T				[AZ], Right
	5GU08 1K5AC	1	J, T				[K5], Right
	5GU08 1L5AC	1	J, T				[L5], Right
	5GU43 1AZAA	1	J, T			H7	[AZ], Left
		1	J, T			FL	[AZ], Left
		1	J, T			DL	[AZ], Left
	5GU43 1K5AA	1	J, T			DL	[K5], Left
		1	J, T			FL	[K5], Left
		1	J, T			H7	[K5], Left
	5GU43 1L5AA	1	J, T			FL	[L5], Left
		1	J, T			DL	[L5], Left
		1	J, T			H7	[L5], Left
8							COVER, Turning Loop
	#5HK91 LAZAA	1					[AZ]
	#5HK91 RK5AA	1					[K5]
	#5HK91 WL5AA	1					[L5]
-9	4740 415	1					EXTENDER, Seat Belt

JEEP GRAND CHEROKEE (WJ)

SERIES	LINE	BODY	ENGINE	TRANSMISSION
H=Laredo	J = 4WD	74 = 4 Door(105.9 WB)	ER0, ERH = 4.0L, Power Tech I-6	DGK = 4 Speed Autm, 42RE
P=Limited	T = 2WD		EV0, EVA = 4.7L, Power Tech V8	DGW = 4 Speed Automatic, -44RE
	U = 4WD (RHD)		EXA, EX0 = 3.1L, 5 Cyl Turbo Diesel	DG4 = Multi Speed Automatic, -45RFE
				DGO = All Automatic

AR = Use as required - = Non illustrated part # = New this model year

April 3, 2002

Rear Seat Belt Figure IWJ-720

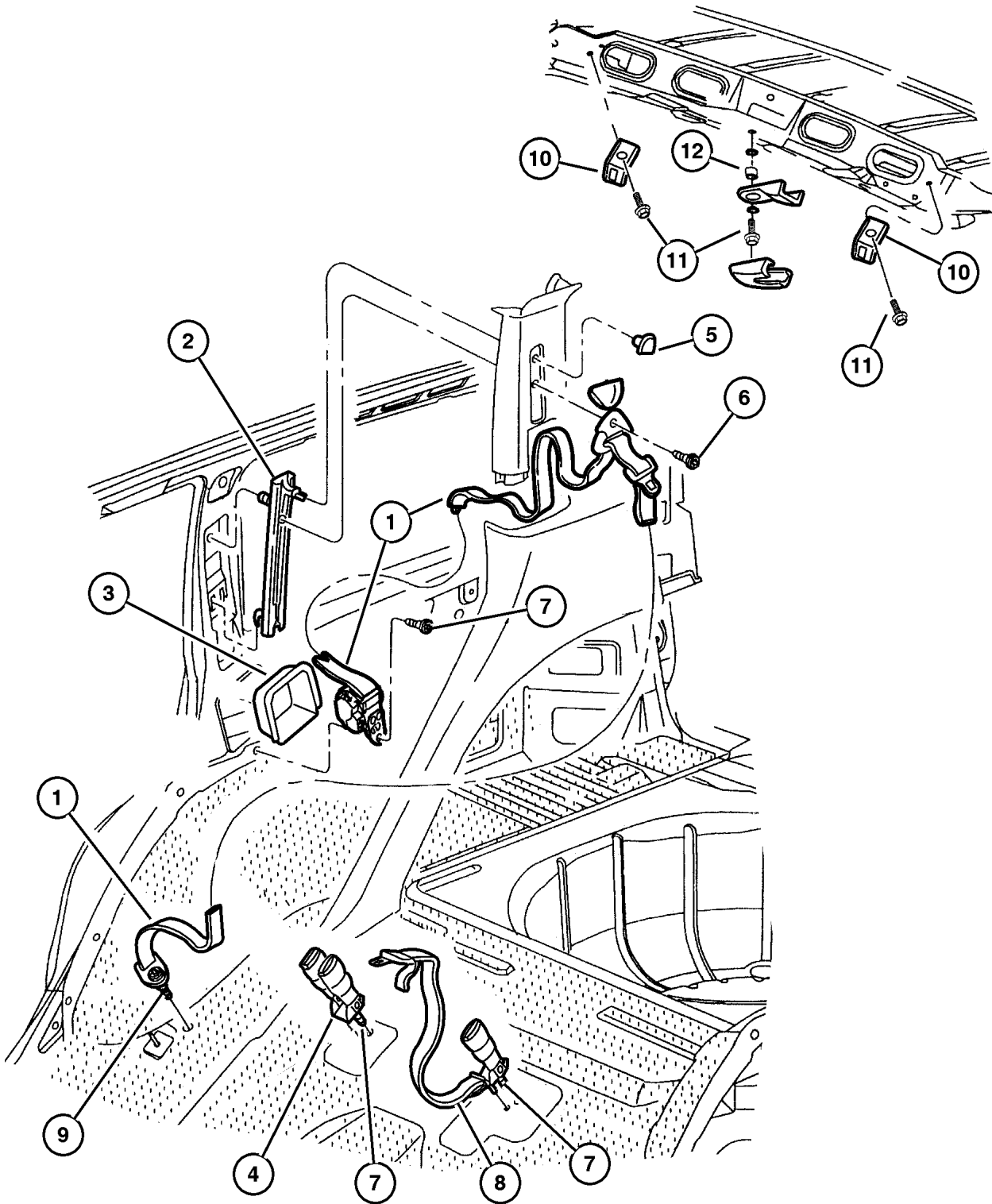
ITEM	PART NUMBER	QTY	LINE	SERIES	BODY	TRIM	DESCRIPTION
1							SEAT BELT, Rear Outer
	5GD62 LAZAE	1					[AZ], Right
	5GD62 RK5AE	1					[K5], Right
	5GD62 1L5AE	1					[L5], Right
	5GD63 LAZAE	1					[AZ], Left
	5GD63 RK5AE	1					[K5], Left
	5GD63 1L5AE	1					[L5], Left
	55196 788AD	1					Right,Export
	55196 789AD	1					Left,Export
2	55196 689AB	2					ADJUSTER, Seat Belt Turning Loop
3	55196 733AC	2					SHIELD, Seat Belt Retractor
4							SEAT BELT, Rear Inner, Right
	5519 6586	1					Export
	5FP48 1AZAB	1					[AZ]
	5FP48 1K5AB	1					[K5]
	5FP48 1L5AB	1					[L5]
5	55196 860AA	2					BUTTON, Adjuster
6	6035 888	2					SCREW, Shoulder
7	6505 286AA	2					SCREW
8							SEAT BELT, Rear Inner, Left
	5519 6587	1					Export
	5FP49 1AZAB	1					[AZ]
	5FP49 1K5AB	1					[K5]
	5FP49 1L5AB	1					[L5]
9	6504 973AA	1					SCREW
10							BRACKET
	55196 861AA	2			J, T		
		2			J, U		
11							BOLT, Hex Head, M8x1.25x37.50
	6503 257	2			J, T		
		3			J, U		
12	55196 862AA	1			J, U		SPACER
-13							TETHER, Child Seat
	5016 869AA	1					Camel, [K5]
	5016 870AA	1					Beige, [AZ, L5]
	5016 871AA	1					Camel, CANADA, [K5]
	5016 873AA	1					Beige, CANADA, [AZ, L5]

JEEP GRAND CHEROKEE (WJ)

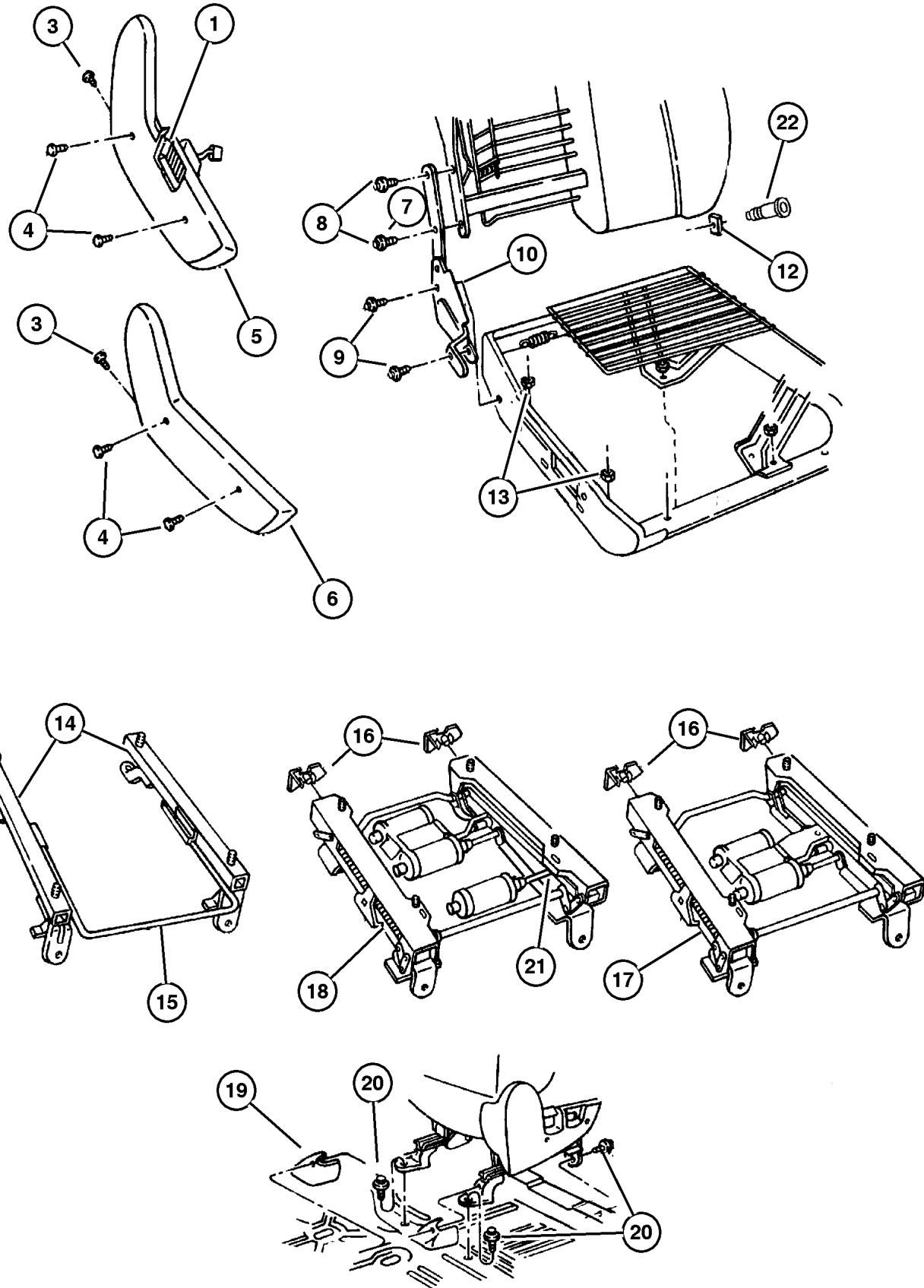
SERIES	LINE	BODY	ENGINE	TRANSMISSION
H=Laredo	J = 4WD	74 = 4 Door(105.9 WB)	ER0, ERH = 4.0L, Power Tech I-6	DGK = 4 Speed Autm, 42RE
P=Limited	T = 2WD		EVO, EVA = 4.7L, Power Tech V8	DGW = 4 Speed Automatic, -44RE
	U = 4WD (RHD)		EXA, EX0 = 3.1L, 5 Cyl Turbo Diesel	DG4 = Multi Speed Automatic, -45RFE
				DGO = All Automatic

AR = Use as required - = Non illustrated part # = New this model year

April 3, 2002



Recliner and Adjusters Figure IWJ-810



ITEM	PART NUMBER	QTY	LINE	SERIES	BODY	TRIM	DESCRIPTION
1							SWITCH, Seat
	4601 756	1	J, T			DL	10 Way Power, Right
	4601 757	1	J, T			DL	10 Way Power, Left
	4601 756	1	J, T			EL	10 Way Power, Right
		1	U			EL	10 Way Power, Right
	4601 757	1	J, T			EL	10 Way Power, Left
		1	U			EL	10 Way Power, Left
	4601 756	1	J, T			FL	10 Way Power, Right
	4601 757	1	J, T			FL	10 Way Power, Left
	4373 666	1	U			H7	6 Way Power
		1	J, T			H7	6 Way Power
-2							KNOB, Power Seat Switch
	4607 042	1	J, T			DL	Right
	4607 043	1	J, T			DL	Left
	4607 042	1	J, T			EL	Right
		1	U			EL	Right
	4607 043	1	J, T			EL	Left
		1	U			EL	Left
		1	J, T			FL	Left
	4607 042	1	J, T			FL	Right
3							SCREW, Trim
	4720 769	2	J, T			DL	
		2	J, T			EL	
		2	U			EL	
		2	J, T			FL	
		1	J, T			H7	
4							SCREW, Trim
	4720 770	4	J, T			DL	
		4	U			EL	
		4	J, T			EL	
		4	J, T			FL	
		4	J, T			H7	
5							SHIELD, Seat Adjuster
	SL04 1AZAA	1	J, T			DL	[AZ], 10 Way Power, Right
	SL04 1K5AA	1	J, T			DL	[K5], 10 Way Power, Right
	SL04 1L5AA	1	J, T			DL	[L5], 10 Way Power, Right
	SL05 1AZAA	1	J, T			DL	[AZ], 10 Way Power, Left
	SL05 1K5AA	1	J, T			DL	[K5], 10 Way Power, Left
	SL05 1L5AA	1	J, T			DL	[L5], 10 Way Power, Left
	SL04 1AZAA	1	J, T			EL	[AZ], 10 Way Power, Right
		1	U			EL	[AZ], 10 Way Power, Right
	SL04 1K5AA	1	U			EL	[K5], 10 Way Power, Right

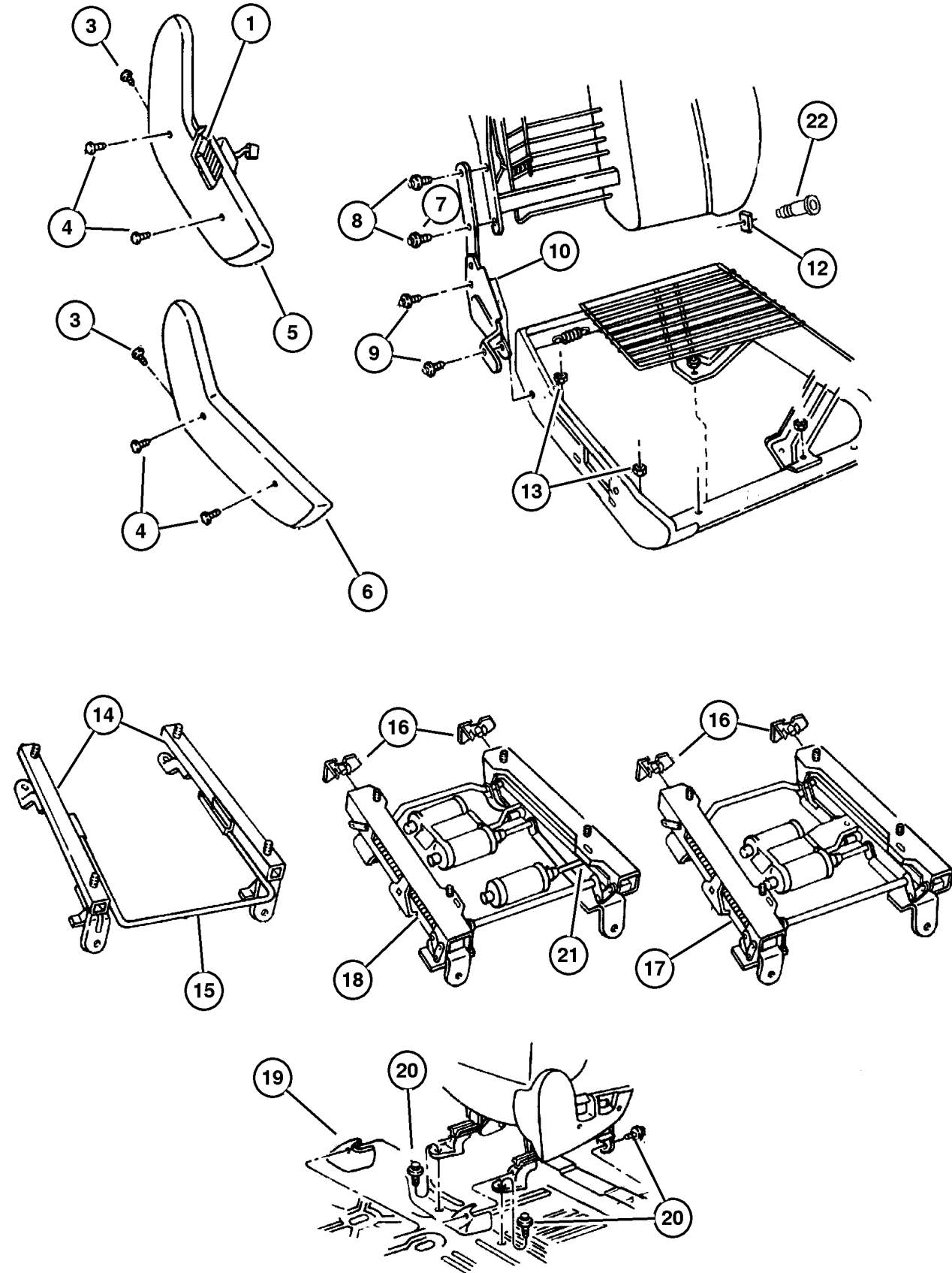
JEEP GRAND CHEROKEE (WJ)

SERIES	LINE	BODY	ENGINE	TRANSMISSION
H=Laredo	J = 4WD	74 = 4 Door(105.9 WB)	ER0, ERH = 4.0L, Power Tech I-6	DGK = 4 Speed Autm, 42RE
P=Limited	T = 2WD		EV0, EVA = 4.7L, Power Tech V8	DGW = 4 Speed Automatic, -44RE
	U = 4WD (RHD)		EXA, EX0 = 3.1L, 5 Cyl Turbo Diesel	DG4 = Multi Speed Automatic, -45RFE
				DGO = All Automatic

AR = Use as required - = Non illustrated part # = New this model year

April 3, 2002

Recliner and Adjusters Figure IWJ-810



ITEM	PART NUMBER	QTY	LINE	SERIES	BODY	TRIM	DESCRIPTION
		1	J, T			EL	[K5], 10 Way Power, Right
	SL05 1AZAA	1	J, T			EL	[AZ], 10 Way Power, Left
		1	U			EL	[AZ], 10 Way Power, Left
	SL05 1K5AA	1	U			EL	[K5], 10 Way Power, Left
		1	J, T			EL	[K5], 10 Way Power, Left
	SL04 1AZAA	1	J, T			FL	[AZ], 10 Way Power, Right
	SL04 1K5AA	1	J, T			FL	[K5], 10 Way Power, Right
	SL04 1L5AA	1	J, T			FL	[L5], 10 Way Power, Right
	SL05 1AZAA	1	J, T			FL	[AZ], 10 Way Power, Left
	SL05 1K5AA	1	J, T			FL	[K5], 10 Way Power, Left
	SL05 1L5AA	1	J, T			FL	[L5], 10 Way Power, Left
	SL06 1AZAA	1	U			H7	[AZ], 6 Way Power, Right
	SL06 1K5AA	1	J, T			H7	[K5], 6 Way Power, Right
		1	U			H7	[K5], 6 Way Power, Right
	SL06 1L5AA	1	J, T			H7	[L5], 6 Way Power, Right
	SL07 1AZAA	1	J, T			H7	[AZ], 6 Way Power, Left
	SL06 1AZAA	1	J, T			H7	[AZ], 6 Way Power, Right
	SL07 1AZAA	1	U			H7	[AZ], 6 Way Power, Left
	SL07 1K5AA	1	J, T			H7	[K5], 6 Way Power, Left
		1	U			H7	[K5], 6 Way Power, Left
	SL07 1L5AA	1	J, T			H7	[L5], 6 Way Power, Left
6							SHIELD, Seat Adjuster
	SL03 1L5AA	1	J, T			H7	[L5], Manual,Left
	SL03 1K5AA	1	J, T			H7	[K5], Manual,Left
	SL03 1AZAA	1	J, T			H7	[AZ], Manual,Left
	SL02 1L5AA	1	J, T			H7	[L5], Manual,Right
	SL02 1K5AA	1	J, T			H7	[K5], Manual,Right
	SL02 1AZAA	1	J, T			H7	[AZ], Manual,Right
7							BOLT, Recliner to Seat Back, Manual Upper
	4720 768	4	J, T			H7	
		4	U			H7	
8							BOLT, Power Recliner
	4882 903	8	J, T			DL	
		8	J, T			EL	
		8	U			EL	
		8	J, T			FL	
		8	J, T			H7	
		8	U			H7	
9	4796 793	4	J, T			H7	BOLT, Recliner To Cushion, Front Seat
10							RECLINER, Seat Back
	4864 861	1	J, T			DL	Drivers, Power With Memory
	4886 097AA	1	U			EL	Drivers, Power With Memory

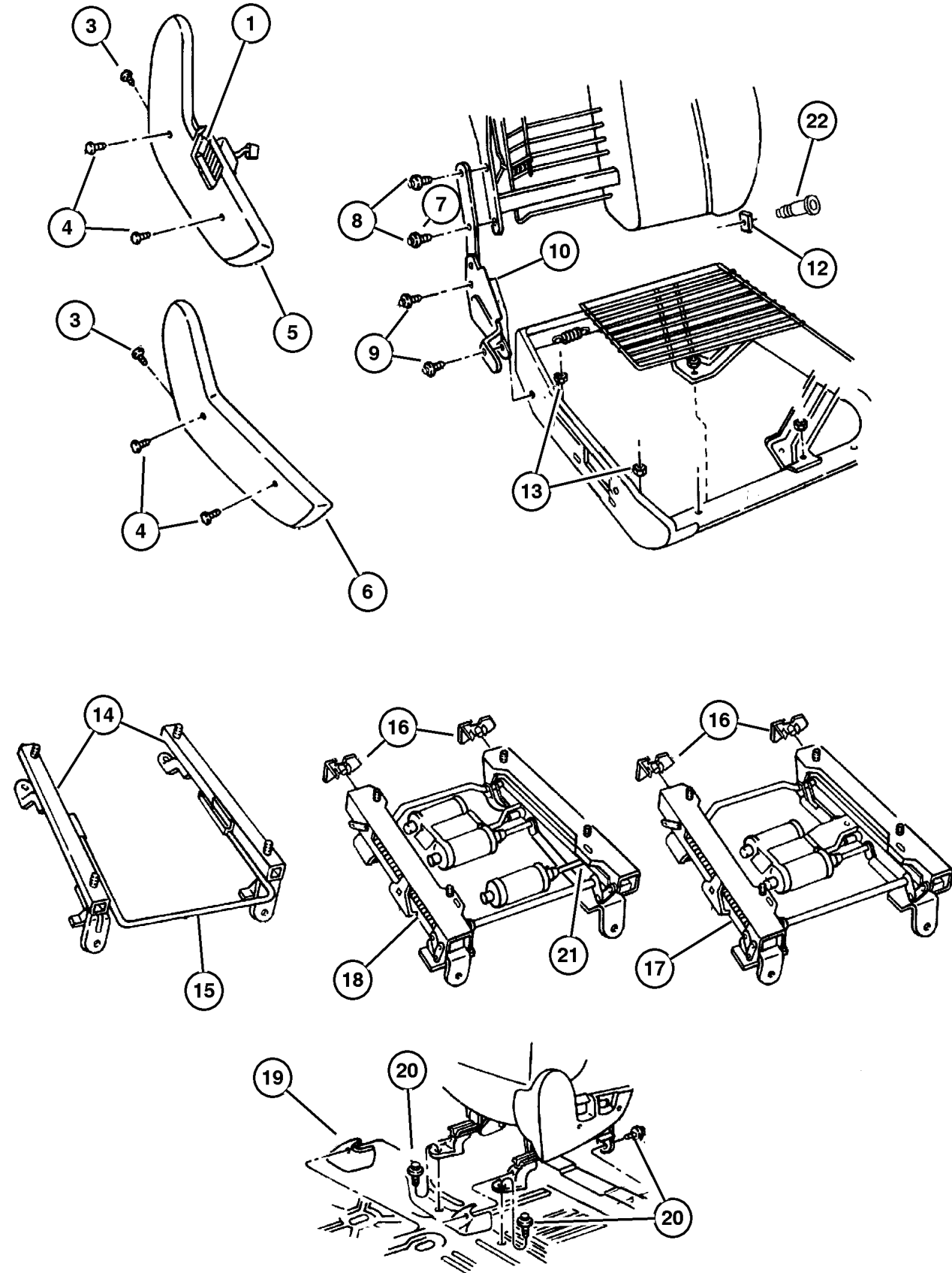
JEEP GRAND CHEROKEE (WJ)

SERIES	LINE	BODY	ENGINE	TRANSMISSION
H=Laredo	J = 4WD	74 = 4 Door(105.9 WB)	ER0, ERH = 4.0L, Power Tech I-6	DGK = 4 Speed Autm, 42RE
P=Limited	T = 2WD		EV0, EVA = 4.7L, Power Tech V8	DGW = 4 Speed Automatic, -44RE
	U = 4WD (RHD)		EXA, EX0 = 3.1L, 5 Cyl Turbo Diesel	DG4 = Multi Speed Automatic, -45RFE
				DGO = All Automatic

AR = Use as required - = Non illustrated part # = New this model year

April 3, 2002

Recliner and Adjusters Figure IWJ-810



ITEM	PART NUMBER	QTY	LINE	SERIES	BODY	TRIM	DESCRIPTION
	4864 861	1	J, T			EL	Drivers, Power With Memory
	4856 748	1	J, T			FL	Right,Power Seat
	4856 749	1	J, T			FL	Left,Power Seat
	4796 715	1	U			H7	Includes Handle, Left,Manual
	4856 748	1	J, T			H7	Right,Power Seat
		1	U			H7	Right,Power Seat
	4796 715	1	J, T			H7	Includes Handle, Left,Manual
	4796 714	1	J, T			H7	Includes Handle, Right,Manual
		1	U			H7	Includes Handle, Right,Manual
	4856 749	1	U			H7	Left,Power Seat
		1	J, T			H7	Left,Power Seat
-11							KNOB, Power Seat Switch, Power Recliner
	4607 044	1	J, T			DL	Right
	4607 045	1	J, T			DL	Left
	4607 044	1	J, T			EL	Right
		1	U			EL	Right
	4607 045	1	J, T			EL	Left
		1	U			EL	Left
		1	J, T			FL	Left
	4607 044	1	J, T			FL	Right
12							U-NUT, Seat Back
	4713 982	2	J, T			DL	
		2	J, T			EL	
		2	U			EL	
		2	J, T			FL	
		2	J, T			H7	
13	6101 467	2					NUT, Hex Flange, M8x1.25
14							ADJUSTER, Manual Seat
	5015 564AA	1	J, T			H7	Right,Outboard
	5015 565AA	1	J, T			H7	Left,Outboard
	5015 566AA	1	J, T			H7	Right,Inboard
	5015 567AA	1	J, T			H7	Without Traveling Inboard Buckle, Left,Inboard
15	4713 930	1	J, T			H7	HANDLE, Seat Release
16							SHIELD, Seat Adjuster
	4723 888	2	J, T			DL	Passenger Outboard, Driver Inboard
	4723 889	2	J, T			DL	Passenger Inboard, Driver Outboard
	4723 888	2	J, T			EL	Passenger Outboard, Driver Inboard
		2	U			EL	Driver Outboard, Passenger Inboard
	4723 889	2	U			EL	Driver Inboard, Passenger Outboard
		2	J, T			EL	Passenger Inboard, Driver Outboard
	4723 888	2	J, T			FL	Passenger Outboard, Driver Inboard
	4723 889	2	J, T			FL	Passenger Inboard, Driver Outboard

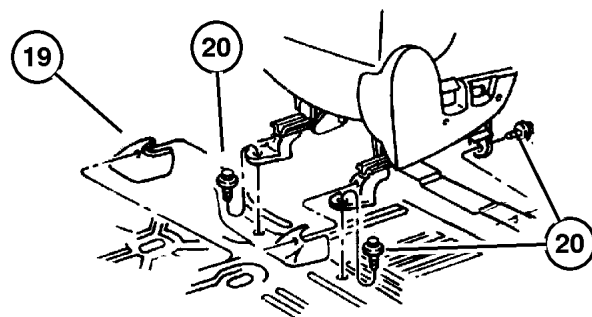
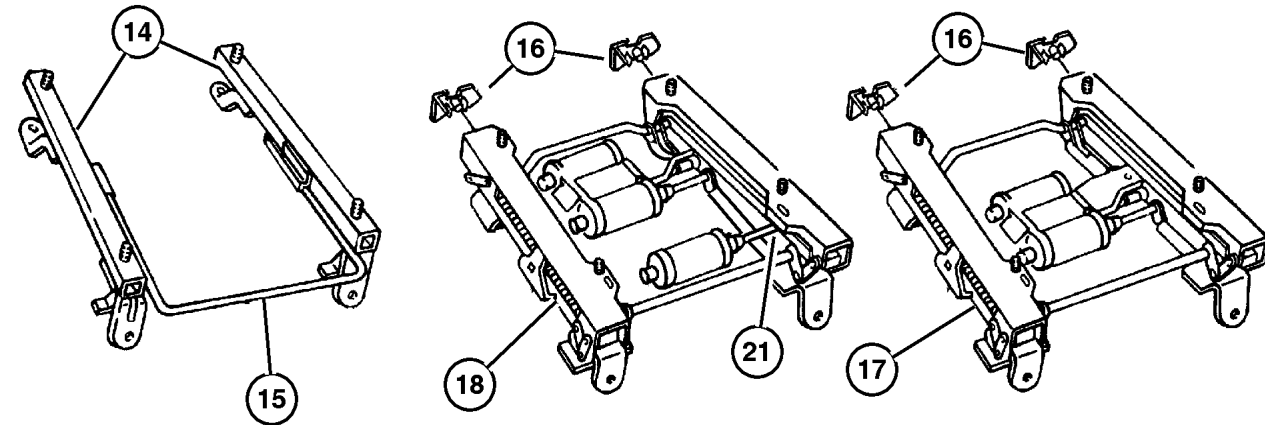
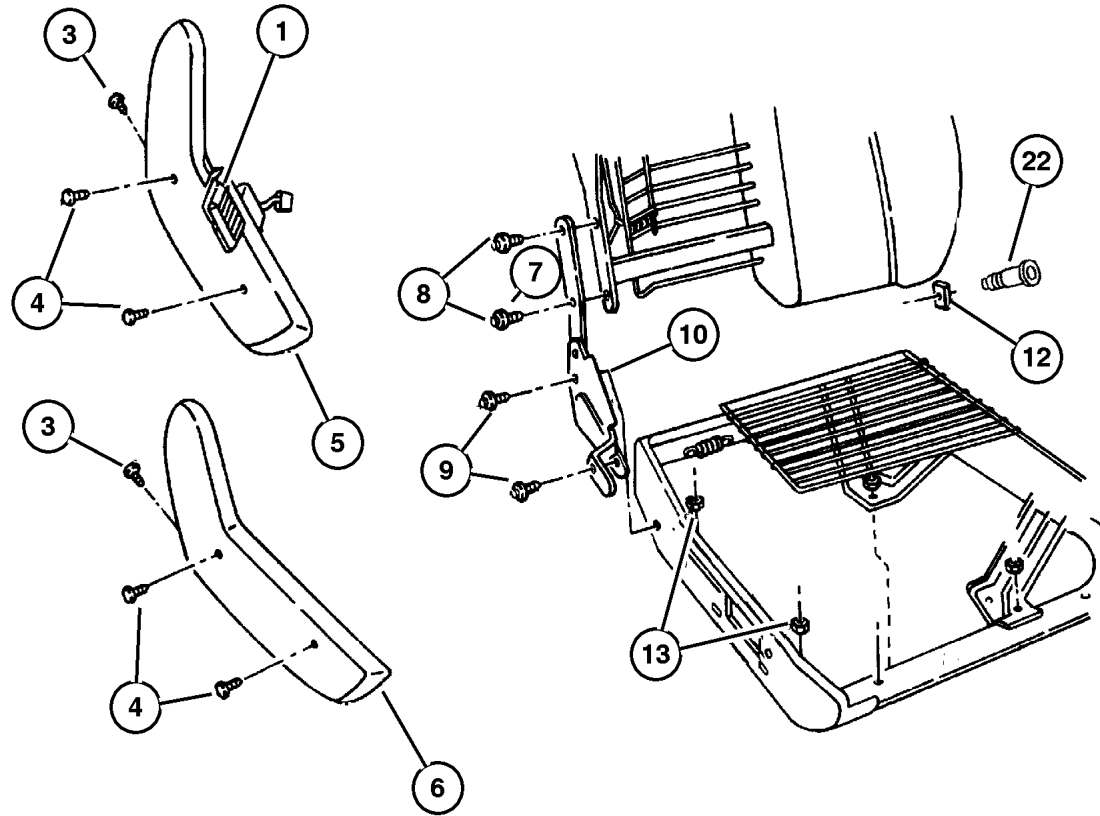
JEEP GRAND CHEROKEE (WJ)

SERIES	LINE	BODY	ENGINE	TRANSMISSION
H=Laredo	J = 4WD	74 = 4 Door(105.9 WB)	ER0, ERH = 4.0L, Power Tech I-6	DGK = 4 Speed Autm, 42RE
P=Limited	T = 2WD		EVO, EVA = 4.7L, Power Tech V8	DGW = 4 Speed Automatic, -44RE
	U = 4WD (RHD)		EXA, EX0 = 3.1L, 5 Cyl Turbo Diesel	DG4 = Multi Speed Automatic, -45RFE
				DGO = All Automatic

AR = Use as required - = Non illustrated part # = New this model year

April 3, 2002

Recliner and Adjusters Figure IWJ-810



ITEM	PART NUMBER	QTY	LINE	SERIES	BODY	TRIM	DESCRIPTION
		2	U			H7	Driver Inboard, Passenger Outboard
		2	J, T			H7	Passenger Inboard, Driver Outboard
	4723 888	2	U			H7	Driver Outboard, Passenger Inboard
		2	J, T			H7	Passenger Outboard, Driver Inboard
17							ADJUSTER, Power Seat, Without Memory
	5015 570AA	1	J, T			DL	Domestic, Right
		1	J, T			FL	Domestic, Right
	5015 571AA	1	J, T			FL	Domestic, Left
	#5017 485AA	1	U			EL	Left,Export
	#5017 484AA	1	J, T			EL	Right,Export
	#5017 485AA	1	J, T			H7	Left
	#5017 484AA	1	U			H7	Right,Export
		1	J, T			H7	Right,Export
18							ADJUSTER, Power Seat, With Memory
	5015 569AA	1	J, T			DL	Left
	#5017 486AA	1	U			EL	Right,Export
	#5017 487AA	1	J, T			EL	Left,Export
19							COVER, Power Seat Track
	5FZ19 LAZAA	4					AZ
	5FZ19 VK9AA	4					K5
	5FZ19 WL8AA	4					L5
20	6505 040AA	8					SCREW, Hex Head, M10x1.5x40
21							BRACKET, Module, With Memory
	5013 125AA	1	J, T			DL	
		1	J, T			EL	
		1	U			EL	
		1	J, T			FL	
22							BOLT, Shoulder, I.B.-Back To Cushion-Pivot
	#5016 212AA	1	J, T			DL	
		1	J, T			EL	
		1	U			EL	
		1	J, T			FL	
		1	U			H7	
		1	J, T			H7	

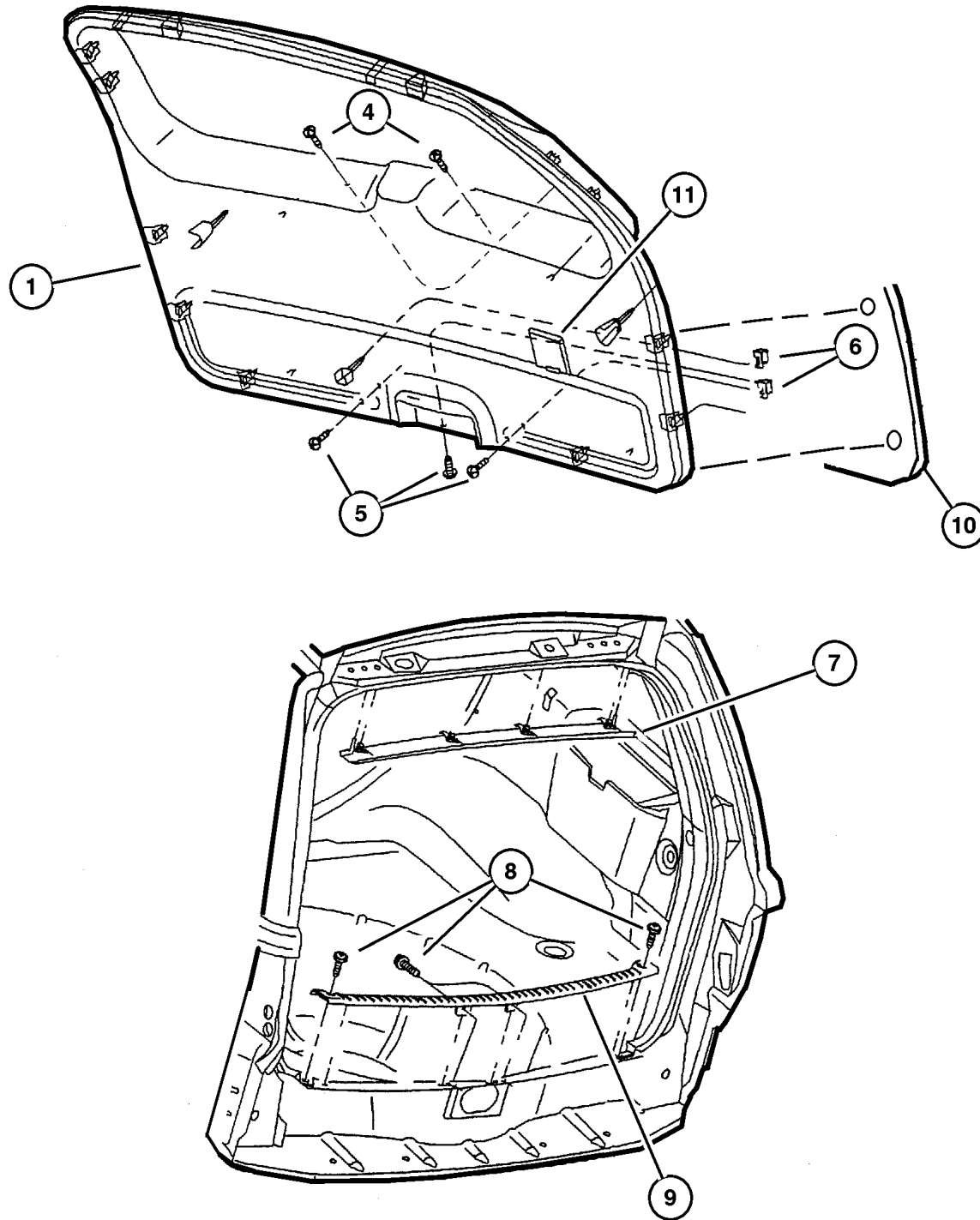
JEEP GRAND CHEROKEE (WJ)

SERIES	LINE	BODY	ENGINE	TRANSMISSION
H=Laredo	J = 4WD	74 = 4 Door(105.9 WB)	ER0, ERH = 4.0L, Power Tech I-6	DGK = 4 Speed Autm, 42RE
P=Limited	T = 2WD		EV0, EVA = 4.7L, Power Tech V8	DGW = 4 Speed Automatic, -44RE
	U = 4WD (RHD)		EXA, EX0 = 3.1L, 5 Cyl Turbo Diesel	DG4 = Multi Speed Automatic, -45RFE
				DGO = All Automatic

AR = Use as required - = Non illustrated part # = New this model year

April 3, 2002

Liftgate Panel and Scuff Plate
Figure IWJ-1010



ITEM	PART NUMBER	QTY	LINE	SERIES	BODY	TRIM	DESCRIPTION
1							PANEL, Liftgate
	5FS80 LAZAD	1					[AZ]
	5FS80 RK5AD	1					[K5]
	5FS80 WL5AD	1					[L5]
-2	6502 991	6					FASTENER, M7.1 Hole Push In, For M7.1 Hole
-3	3420 2599	4					FASTENER, Trim Panel Attaching
4							SCREW AND WASHER, M4.2X1.41X52.80~~, (NOT SERVICED)
5	6032 723	3					SCREW, Self Tapping, M4.2x1.69x19.05
6							NUT, M4.2X1.70 ~~ , (NOT SERVICED)
7							PANEL, Liftgate
	5FA67 LAZAC	1					[AZ]
	5FA67 RK5AC	1					[K5]
	5FA67 WL5AC	1					[L5]
	5GZ52 LAZAA	1					[AZ], AUSTRALIA
	5GZ52 RK5AA	1					[K5], AUSTRALIA
8							SCREW, [.164-18X.625]~~, (NOT SERVICED)
9							PLATE, Liftgate Scuff
	5FS82 LAZAC	1					[AZ]
	5FS82 RK5AC	1					[K5]
	5FS82 WL5AC	1					[L5]
10	55136 185AC	1					INSULATION, liftgate
11							COVER, Liftgate
	TH63 LAZAA	1					[AZ]
	TH63 RK5AA	1					[K5]
	TH63 WL5AA	1					[L5]

JEEP GRAND CHEROKEE (WJ)

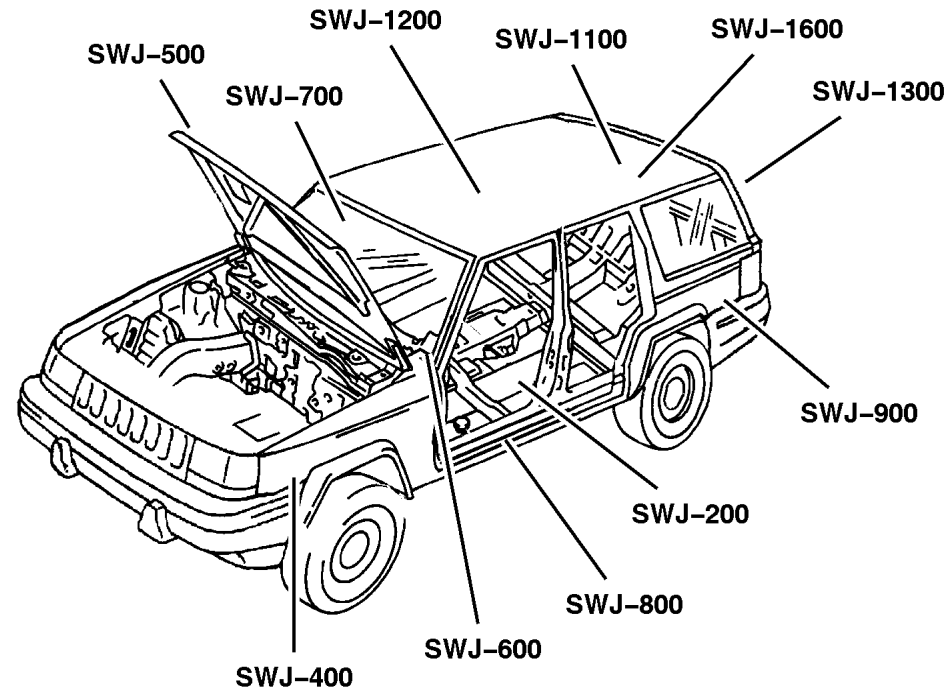
SERIES	LINE	BODY	ENGINE	TRANSMISSION
H=Laredo	J = 4WD	74 = 4 Door(105.9 WB)	ER0, ERH = 4.0L, Power Tech I-6	DGK = 4 Speed Autm, 42RE
P=Limited	T = 2WD		EVO, EVA = 4.7L, Power Tech V8	DGW = 4 Speed Automatic, -44RE
	U = 4WD (RHD)		EXA, EX0 = 3.1L, 5 Cyl Turbo Diesel	DG4 = Multi Speed Automatic, -45RFE
				DGO = All Automatic

AR = Use as required - = Non illustrated part # = New this model year

April 3, 2002

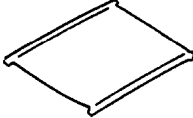

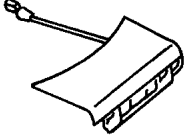

Group – SWJ

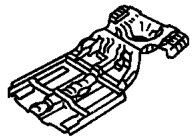

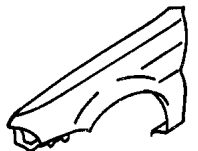
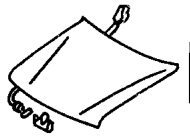
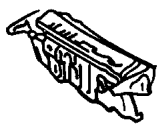

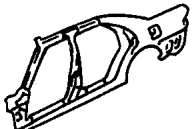
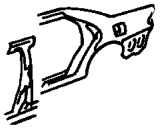
Body Sheet Metal Except Doors



Group – SWJ

Body Sheet Metal Except Doors

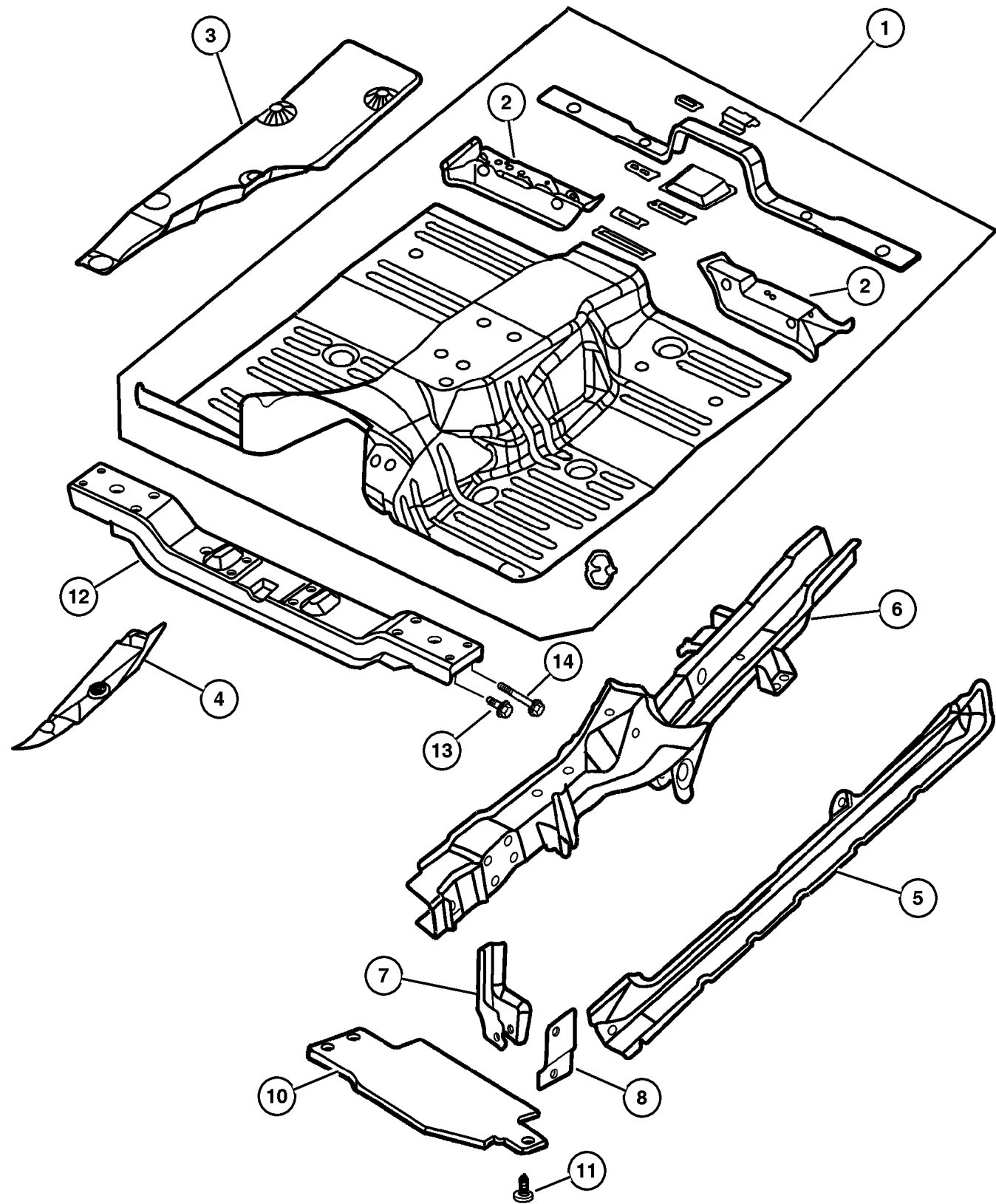
<p>SWJ-1100 Roof Panels</p> 	<p>SWJ-1200 Sunroof</p> 	<p>SWJ-1300 Liftgate Panel</p> 	<p>SWJ-1600 Luggage Rack</p> 
--	--	---	---

<p>SWJ-200 Floor Pans</p> 	<p>SWJ-300 Plugs</p> 	<p>SWJ-400 Front Fenders</p> 	<p>SWJ-500 Hood and Hood Release</p> 
<p>SWJ-600 Cowl and Dash Panel</p> 	<p>SWJ-700 Glass and Rear View Mirror</p> 	<p>SWJ-800 Aperture Panel</p> 	<p>SWJ-900 Quarter Panel and Pillars</p> 

GROUP SWJ - Body Sheet Metal Except Doors

Illustration Title	Group-Fig. No.
Floor Pans	
Front Floor Pan	Fig. SWJ-210
Center and Rear Floor Pan	Fig. SWJ-220
Plugs	
Plugs	Fig. SWJ-310
Front Fenders	
Front Fender	Fig. SWJ-410
Hood and Hood Release	
Hood, Latch, Hinges	Fig. SWJ-510
Cowl and Dash Panel	
Panels, Cowl and Dash	Fig. SWJ-610
Insulation, Dash And Cowl	Fig. SWJ-620
Glass and Rear View Mirror	
Glass, Windshield, Backlite, Quarter Window, Rear View Mirror	Fig. SWJ-710
Aperture Panel	
Panels, Body Side	Fig. SWJ-810
Quarter Panel and Pillars	
Panels, Rear Quarter	Fig. SWJ-910
Roof Panels	
Panels, Roof	Fig. SWJ-1110
Sunroof	
Sunroof	Fig. SWJ-1210
Liftgate Panel	
Liftgate, Latch and Hinges	Fig. SWJ-1310
Luggage Rack	
Roof Rack	Fig. SWJ-1610

Front Floor Pan
Figure SWJ-210



ITEM	PART NUMBER	QTY	LINE	BODY	DESCRIPTION
1					PAN, Floor
	#55136 653AE	1	U		Diesel
	#55136 656AE	1	J, T		Diesel
	#55296 400AD	1	J, T		
	55136 619AE	1	U		
2					REINFORCEMENT, Front Seat
	55136 340AB	1	J, T		Right
		1	U		Right
	55136 341AB	1	J, T		Left
		1	U		Left
3	55135 709AC	1			SHIELD, Heat
4	55135 712AC	1			SHIELD, Heat
5					SILL, Body Side
	55135 802AC	1			Right
	55135 803AC	1			Left
6					RAIL, Frame Side
	5012 524AC	1	J, T		Right
	5012 525AB	1	J, T		Left
	5014 708AB	1	J, U		Right,Export
	5014 709AB	1	J, U		Left,Export
7					BRACKET, Track Bar
	5513 6316	1	U		Inner
	5513 6317	1	J		Inner
8					BRACKET, Track Bar
	5513 6319	1	J, U		Outer
		1	J, T		Outer
-9	6101 916	2			NUT, Hex Weld, M8x1.25
10	5513 5781	1			SHIELD, Splash
11	6034 608	4			PIN, Headline
12					CROSSMEMBER, Transmission
	52058 940AB	1			Gas Only
	52059 303AA	1	J, U		Diesel
13	6506 000AA	4			SCREW AND WASHER
14	6505 671AA	4			SCREW AND WASHER

JEEP GRAND CHEROKEE (WJ)

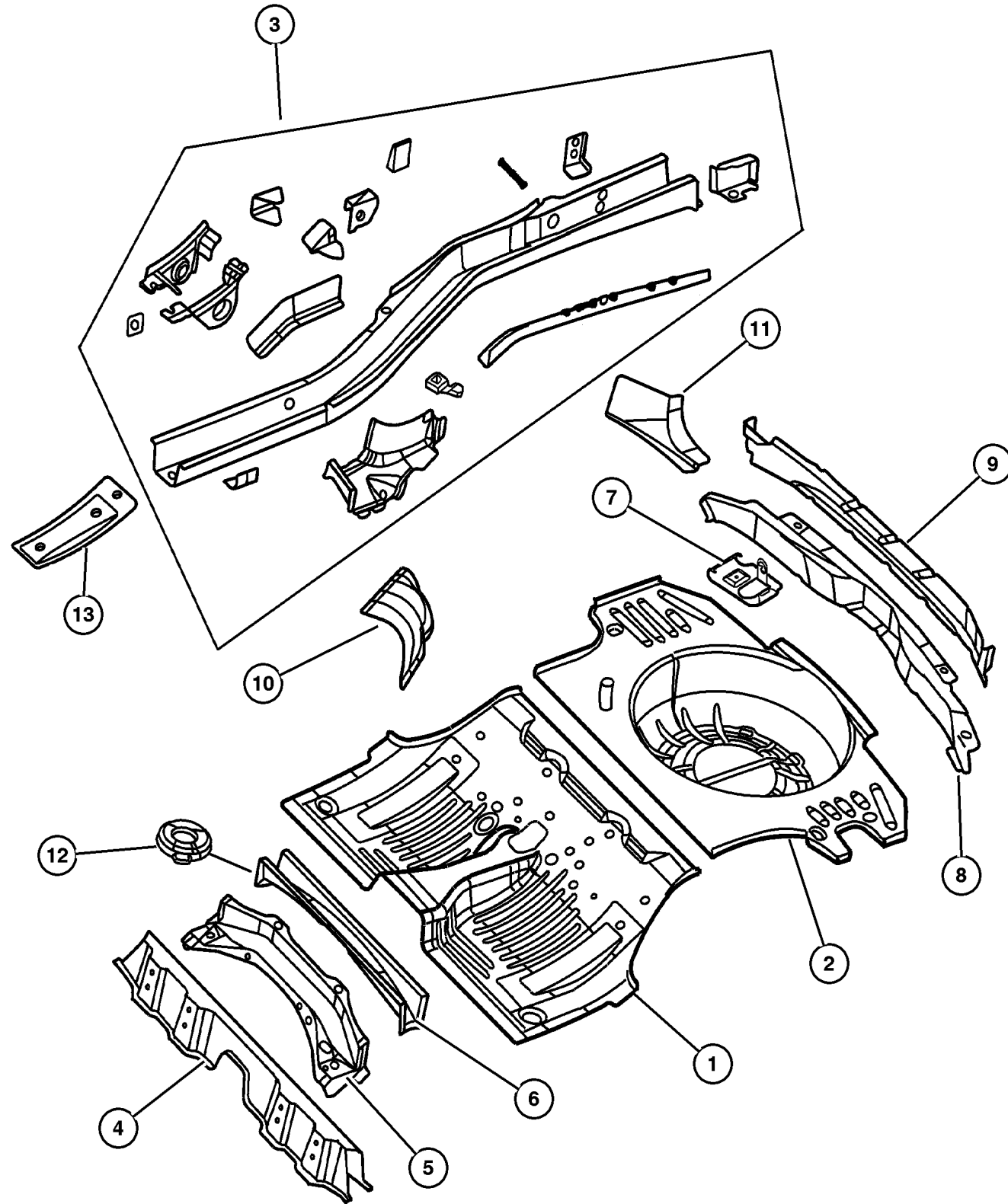
SERIES	LINE	BODY	ENGINE	TRANSMISSION
H=Laredo	J = 4WD	74 = 4 Door(105.9 WB)	ER0, ERH = 4.0L, Power Tech I-6	DGK = 4 Speed Autm, 42RE
P=Limited	T = 2WD		EVO, EVA = 4.7L, Power Tech V8	DGW = 4 Speed Automatic, -44RE
	U = 4WD (RHD)		EXA, EX0 = 3.1L, 5 Cyl Turbo Diesel	DG4 = Multi Speed Automatic, -45RFE
				DGO = All Automatic

AR = Use as required - = Non illustrated part # = New this model year

April 3, 2002

Center and Rear Floor Pan
Figure SWJ-220

ITEM	PART NUMBER	QTY	LINE	BODY	DESCRIPTION
1	55136 940AC	1			PAN, Floor, Center
2	55136 377AE	1			PAN, Rear Floor
3					RAIL, Rear Floor Pan Side
	5014 932AA	1			Right
	5014 933AA	1			Left
4	55136 163AD	1			CROSSMEMBER, Rear Floor
5	55136 555AC	1			CROSSMEMBER, Rear Floor Pan Front
6	55136 511AD	1			CROSSMEMBER, Rear Floor
7	55295 800AD	1			BRACKET, Jack
8	55136 558AD	1			CROSSMEMBER, Rear Floor
9	55136 179AD	1			CROSSMEMBER, Rear Floor
10	55136 160AE	1			SHIELD, Fuel Tank
11					GUSSET, Side Member
	55135 504AC	1			Right
	55135 505AC	1			Left
12	5014 781AA	2			GUIDE, Rear Spring, None
13	55136 164AE	2			REINFORCEMENT, Rear Floor Pan Rear Rail



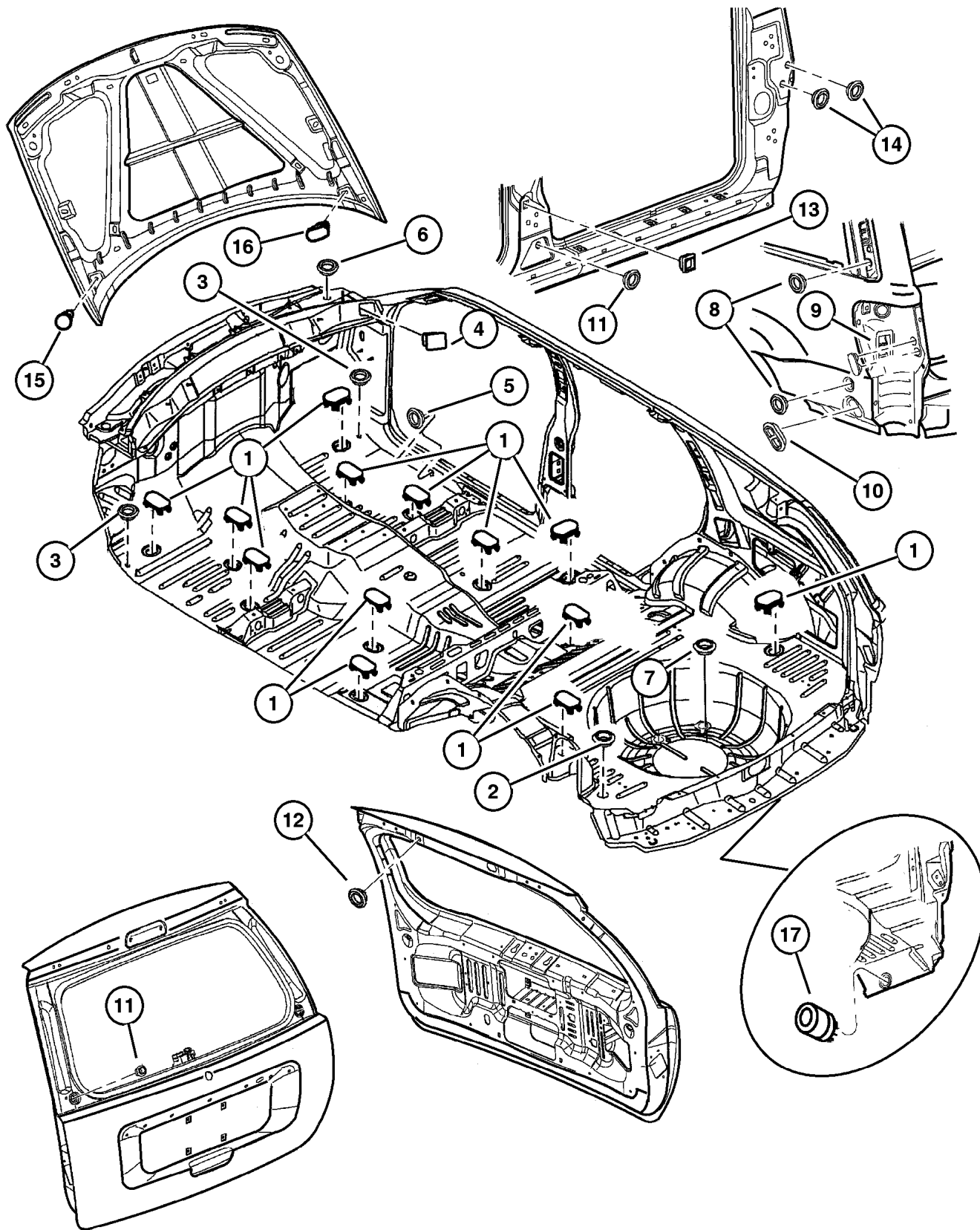
JEEP GRAND CHEROKEE (WJ)

SERIES	LINE	BODY	ENGINE	TRANSMISSION
H=Laredo	J = 4WD	74 = 4 Door(105.9 WB)	ER0, ERH = 4.0L, Power Tech I-6	DGK = 4 Speed Autm, 42RE
P=Limited	T = 2WD		EV0, EVA = 4.7L, Power Tech V8	DGW = 4 Speed Automatic, -44RE
	U = 4WD (RHD)		EXA, EX0 = 3.1L, 5 Cyl Turbo Diesel	DG4 = Multi Speed Automatic, -45RFE
				DGO = All Automatic

AR = Use as required - = Non illustrated part # = New this model year

April 3, 2002

Plugs Figure SWJ-310



ITEM	PART NUMBER	QTY	LINE	BODY	DESCRIPTION
1	4580 343	13			PLUG, Floor Pan
2	2424 864	1			PLUG, Body, 1.75 Diameter
3	2860 332	4			PLUG, Anti-Rattle
4	55136 507AB	1			PLUG, Body, Cowl Top
5	55257 380AA	12			PLUG
6	55136 456AB	1			PLUG, Body
7	55136 594AA	1			PLUG, Body
8	4440 294	6			PLUG, Rear Fascia
9	55136 948AA	2			TAPE, Body Side
10	55136 562AB	2			PLUG, Body
11	4674 441	3			PLUG, Body, .75 Diameter
12	5255 217	1			PLUG, Dash Panel
13	55136 566AA	4			PLUG, Body
14	55136 859AA	2			PLUG
15	55136 755AA	1			PLUG, Body
16	55136 752AA	1			PLUG, Body
17	55135 856AB	2			PLUG, Body
-18	55136 844AD	1			PLUG, Floor, Rear Floor at Spare Tire Hub

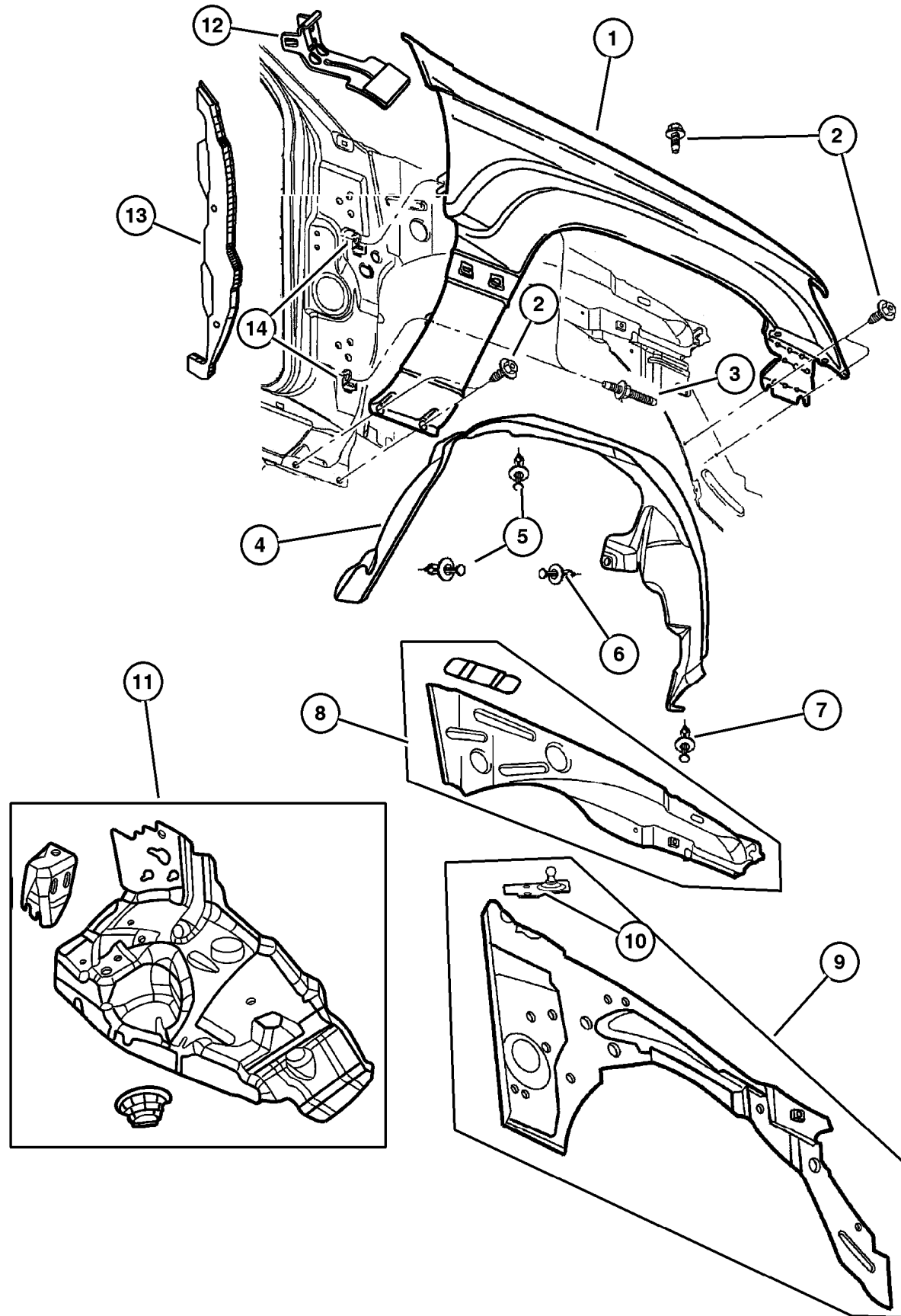
JEEP GRAND CHEROKEE (WJ)

<table border="0"> <tr> <td>SERIES</td> <td>LINE</td> <td>BODY</td> <td>ENGINE</td> <td>TRANSMISSION</td> </tr> <tr> <td>H=Laredo</td> <td>J = 4WD</td> <td>74 = 4 Door(105.9 WB)</td> <td>ER0, ERH = 4.0L, Power Tech I-6</td> <td>DGK = 4 Speed Autm, 42RE</td> </tr> <tr> <td>P=Limited</td> <td>T = 2WD</td> <td></td> <td>EV0, EVA = 4.7L, Power Tech V8</td> <td>DGW = 4 Speed Automatic, -44RE</td> </tr> <tr> <td></td> <td>U = 4WD (RHD)</td> <td></td> <td>EXA, EX0 = 3.1L, 5 Cyl Turbo Diesel</td> <td>DG4 = Multi Speed Automatic, -45RFE</td> </tr> <tr> <td></td> <td></td> <td></td> <td></td> <td>DGO = All Automatic</td> </tr> </table>	SERIES	LINE	BODY	ENGINE	TRANSMISSION	H=Laredo	J = 4WD	74 = 4 Door(105.9 WB)	ER0, ERH = 4.0L, Power Tech I-6	DGK = 4 Speed Autm, 42RE	P=Limited	T = 2WD		EV0, EVA = 4.7L, Power Tech V8	DGW = 4 Speed Automatic, -44RE		U = 4WD (RHD)		EXA, EX0 = 3.1L, 5 Cyl Turbo Diesel	DG4 = Multi Speed Automatic, -45RFE					DGO = All Automatic
SERIES	LINE	BODY	ENGINE	TRANSMISSION																					
H=Laredo	J = 4WD	74 = 4 Door(105.9 WB)	ER0, ERH = 4.0L, Power Tech I-6	DGK = 4 Speed Autm, 42RE																					
P=Limited	T = 2WD		EV0, EVA = 4.7L, Power Tech V8	DGW = 4 Speed Automatic, -44RE																					
	U = 4WD (RHD)		EXA, EX0 = 3.1L, 5 Cyl Turbo Diesel	DG4 = Multi Speed Automatic, -45RFE																					
				DGO = All Automatic																					

AR = Use as required - = Non illustrated part # = New this model year

April 3, 2002

Front Fender Figure SWJ-410



ITEM	PART NUMBER	QTY	LINE	BODY	DESCRIPTION
1					FENDER, Front
	55135 900AC	1			Right
	55135 901AC	1			Left
	55136 582AC	1			Right,Export
	55136 583AC	1			Left,Export
2					SCREW, M6X1.00X15.00~~, (NOT SERVICED)
3					STUD, Double Ended, M6X1.00X57.00~~, (NOT SERVICED)
4					LINER, Front Fender
	55136 228AB	1			Right
	55136 229AB	1			Left
5	6034 608	4			PIN, Headline
6	3420 1631	6			RIVET, M6.25x28 Black
7	6506 005AA	12			PIN, Push
8					REINFORCEMENT, Cowl Side
	55136 354AF	1			Right
	55136 355AF	1			Left
	55136 861AD	1			Left,Export
9					PANEL, Cowl
	55135 442AC	1	J, T		Right
	55135 443AC	1	J, T		Left
	55136 852AB	1	U		Right
	55136 853AB	1	U		Left
10					BRACKET, Ball to Body
	5513 6434	1	J, T		Right
		1	U		Right
	5513 6435	1	J, T		Left
		1	U		Left
11					SUPPORT, Front Suspension
	55135 718AE	1			Right
	55135 719AE	1			Left
	55136 618AD	1			Left,Export
12	55136 774AA	2			BRACKET, Fender
13					FILLER, Fender to Wheelhouse
	55135 793AC	1			Left
	55135 866AC	1			Right
14	55136 586AB	4			BRACKET, Fender

JEEP GRAND CHEROKEE (WJ)

SERIES
H=Laredo
P=Limited

LINE
J = 4WD
T = 2WD
U = 4WD (RHD)

BODY
74 = 4 Door(105.9 WB)

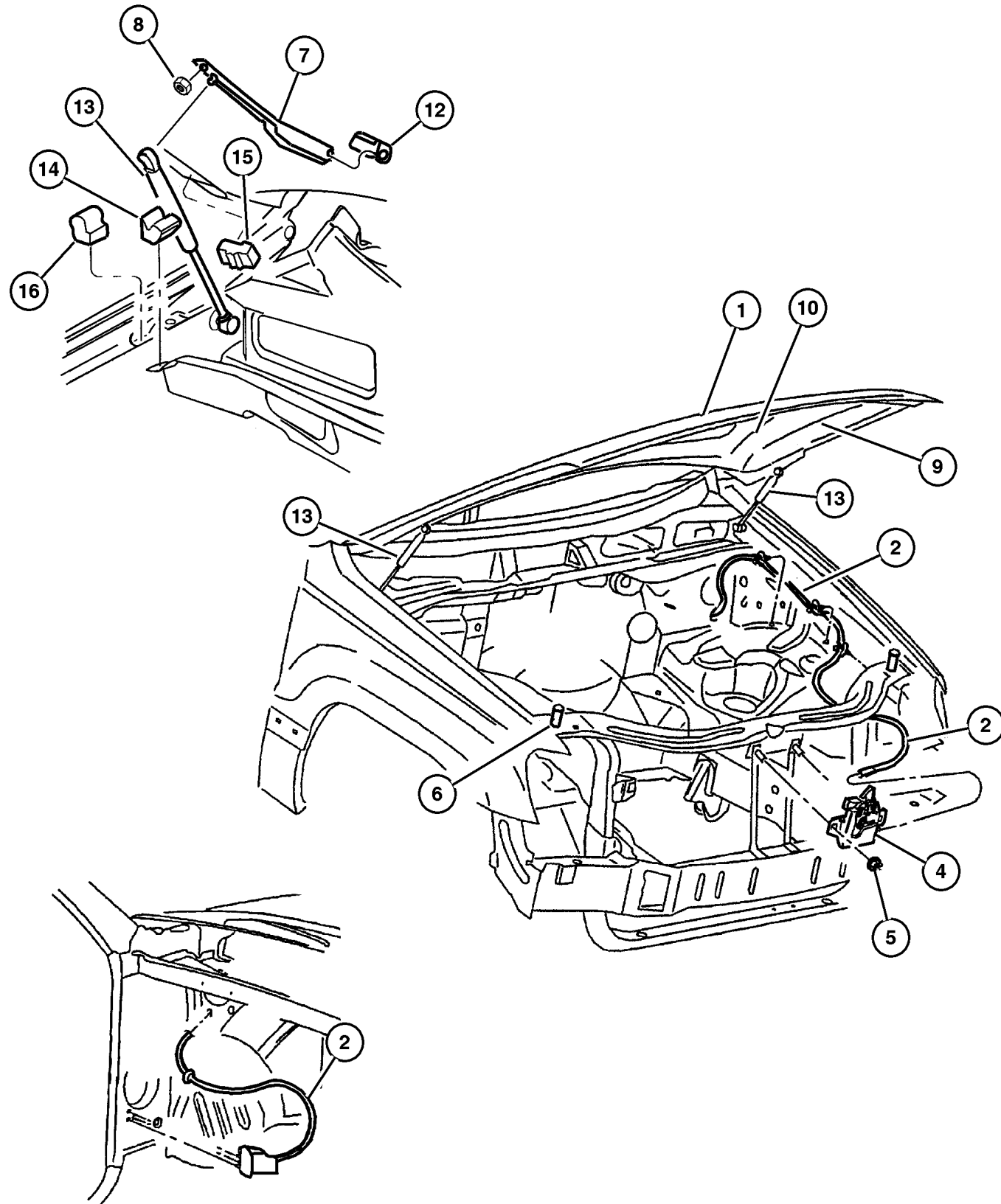
ENGINE
ER0, ERH = 4.0L, Power Tech I-6
EV0, EVA = 4.7L, Power Tech V8
EXA, EX0 = 3.1L, 5 Cyl Turbo Diesel

TRANSMISSION
DGK = 4 Speed Autm, 42RE
DGW = 4 Speed Automatic,
-44RE
DG4 = Multi Speed Automatic,
-45RFE
DGO = All Automatic

AR = Use as required - = Non illustrated part # = New this model year

April 3, 2002

Hood, Latch, Hinges Figure SWJ-510



ITEM	PART NUMBER	QTY	LINE	BODY	DESCRIPTION
1	55076 470AD	1			HOOD
2	5513 5532	1	J, T		CABLE, Hood Release
	5513 6454	1	U		
-3					CLIP, M6.3x11.2
	6503 794	3	J, T		
		3	U		
4	5513 5600	1			LATCH, Hood
5	6101 446	2			NUT AND WASHER
6	4103 165	2			BUMPER, Hood
7					HINGE, Hood
	5525 6196	1			Right
	5525 6197	1			Left
8	6503 664	4			NUT AND WASHER, Hex Nut-Coned Washer, M6 x 1.00
9	55196 298AB	1			INSULATION, Hood
10	55116 446AA	1			LABEL, Refrigerant
-11	6003 351	12			RETAINER, Hood Insulation, .415x.690
12					COVER, Hinge
	55136 954AA	1			Right
	55136 955AA	1			Left
13	55136 764AA	2			PROP, Hood
14	55136 545AA	2			SEAL, Hood, Lower
15	55136 549AA	2			SEAL, Hood, Upper
16	55136 550AA	2			SEAL, Hood, Outer

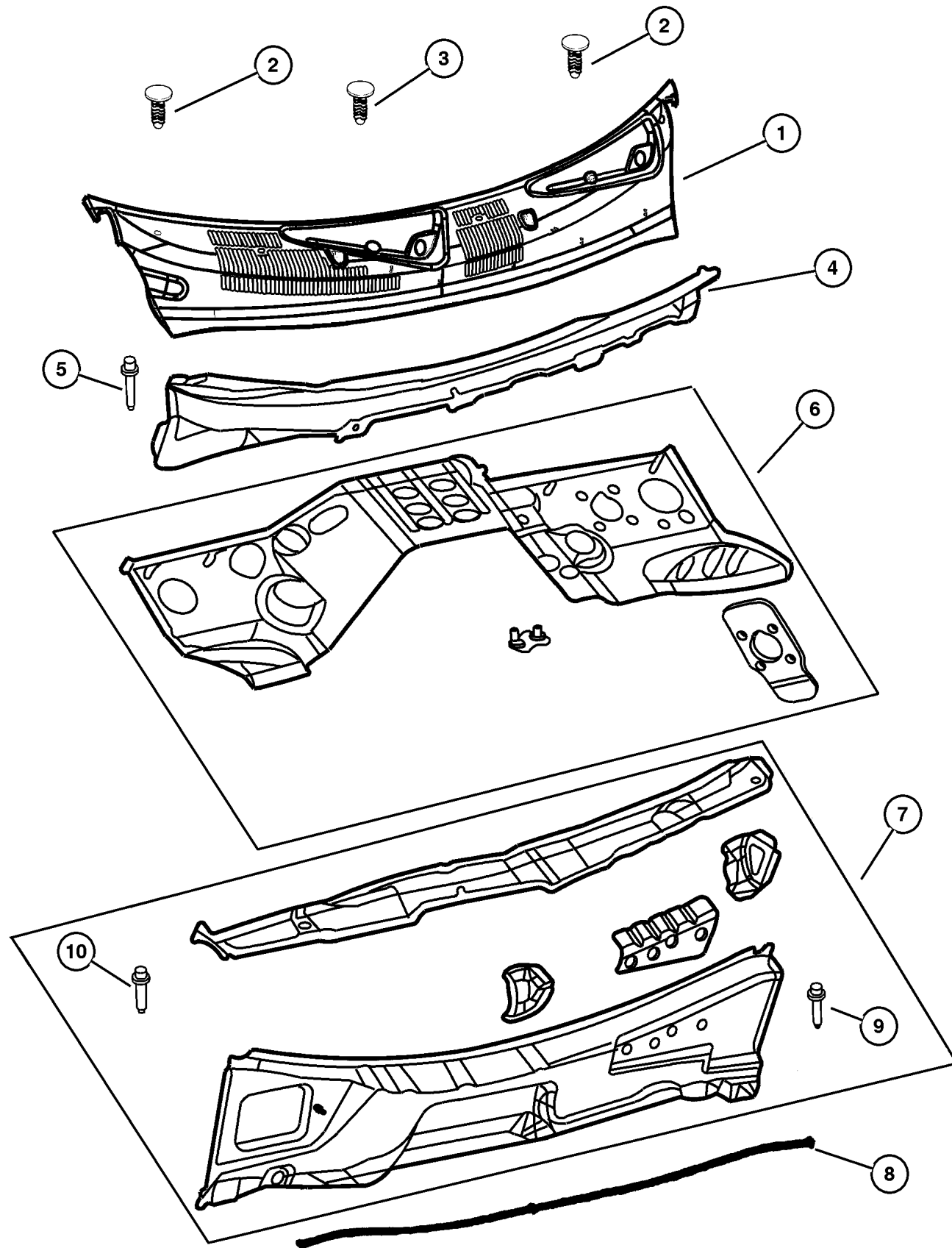
JEEP GRAND CHEROKEE (WJ)

SERIES	LINE	BODY	ENGINE	TRANSMISSION
H=Laredo	J = 4WD	74 = 4 Door(105.9 WB)	ER0, ERH = 4.0L, Power Tech I-6	DGK = 4 Speed Autm, 42RE
P=Limited	T = 2WD		EV0, EVA = 4.7L, Power Tech V8	DGW = 4 Speed Automatic, -44RE
	U = 4WD (RHD)		EXA, EX0 = 3.1L, 5 Cyl Turbo Diesel	DG4 = Multi Speed Automatic, -45RFE
				DGO = All Automatic

AR = Use as required - = Non illustrated part # = New this model year

April 3, 2002

**Panels, Cowl and Dash
Figure SWJ-610**



ITEM	PART NUMBER	QTY	LINE	BODY	DESCRIPTION
1					COVER, Cowl Grille
	55155 355AB	1	J, T		
	55155 356AB	1	U		
2	6505 319AA	4			NUT, M6x1.00
3	6503 339	2			NUT, Plastic
4					PANEL, Cowl Top
	55135 369AB	1	J, T		
	55135 373AB	1	U		
5					STUD
	6505 511AA	4	J, T		M6X1.00X40.5~~
		4	U		M6X1.00X40.5
6					PANEL, Dash
	55135 358AB	1	J, T		
	55135 364AB	1	U		
7					PANEL, Cowl And Plenum
	55135 451AB	1	J, T		
	55135 486AB	1	U		
	55136 540AB	1	J, T		Export
8	55135 392AB	1			SEAL, Hood To Plenum
9					STUD, M8x
	6504 758	3	J, T		
		3	U		
10					STUD
	6504 952AA	3	J, T		
		3	U		
-11					INSULATION, Dash Panel
	55196 836AA	1	J, T		Gas Only
	55196 705AB	1	J, T		Diesel,Engine

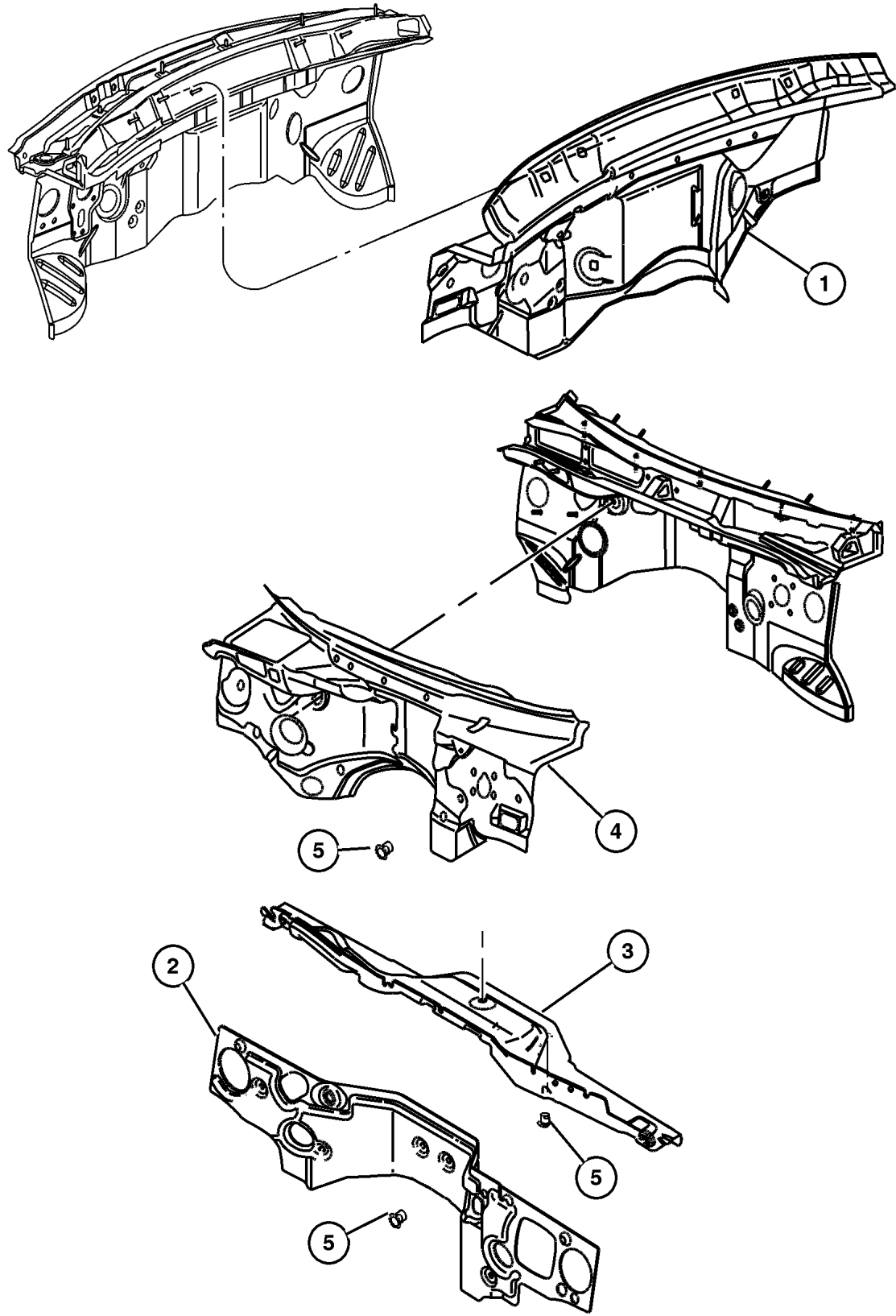
JEEP GRAND CHEROKEE (WJ)

SERIES	LINE	BODY	ENGINE	TRANSMISSION
H=Laredo	J = 4WD	74 = 4 Door(105.9 WB)	ER0, ERH = 4.0L, Power Tech I-6	DGK = 4 Speed Autm, 42RE
P=Limited	T = 2WD		EVO, EVA = 4.7L, Power Tech V8	DGW = 4 Speed Automatic, -44RE
	U = 4WD (RHD)		EXA, EX0 = 3.1L, 5 Cyl Turbo Diesel	DG4 = Multi Speed Automatic, -45RFE
				DGO = All Automatic

AR = Use as required - = Non illustrated part # = New this model year

April 3, 2002

**Insulation, Dash And Cowl
Figure SWJ-620**



ITEM	PART NUMBER	QTY	LINE	BODY	DESCRIPTION
1					INSULATION, Dash Panel
	55196 275AC	1	J, T		Inner
	55196 277AB	1	U		Export
	55196 857AA	1	J, T		Export
2					INSULATION, Dash Panel
	55196 703AC	1	J, T		Diesel
	#55196 704AB	1	U		Diesel
3	55196 705AB	1	J, T		INSULATION, Dash Panel, Upper Plenum Outer, Diesel
4					INSULATION, Dash Panel
	55196 836AA	1	J, T		Gas Only
	55196 848AC	1	U		Gas Only
5	6503 274	3			NUT, Push On

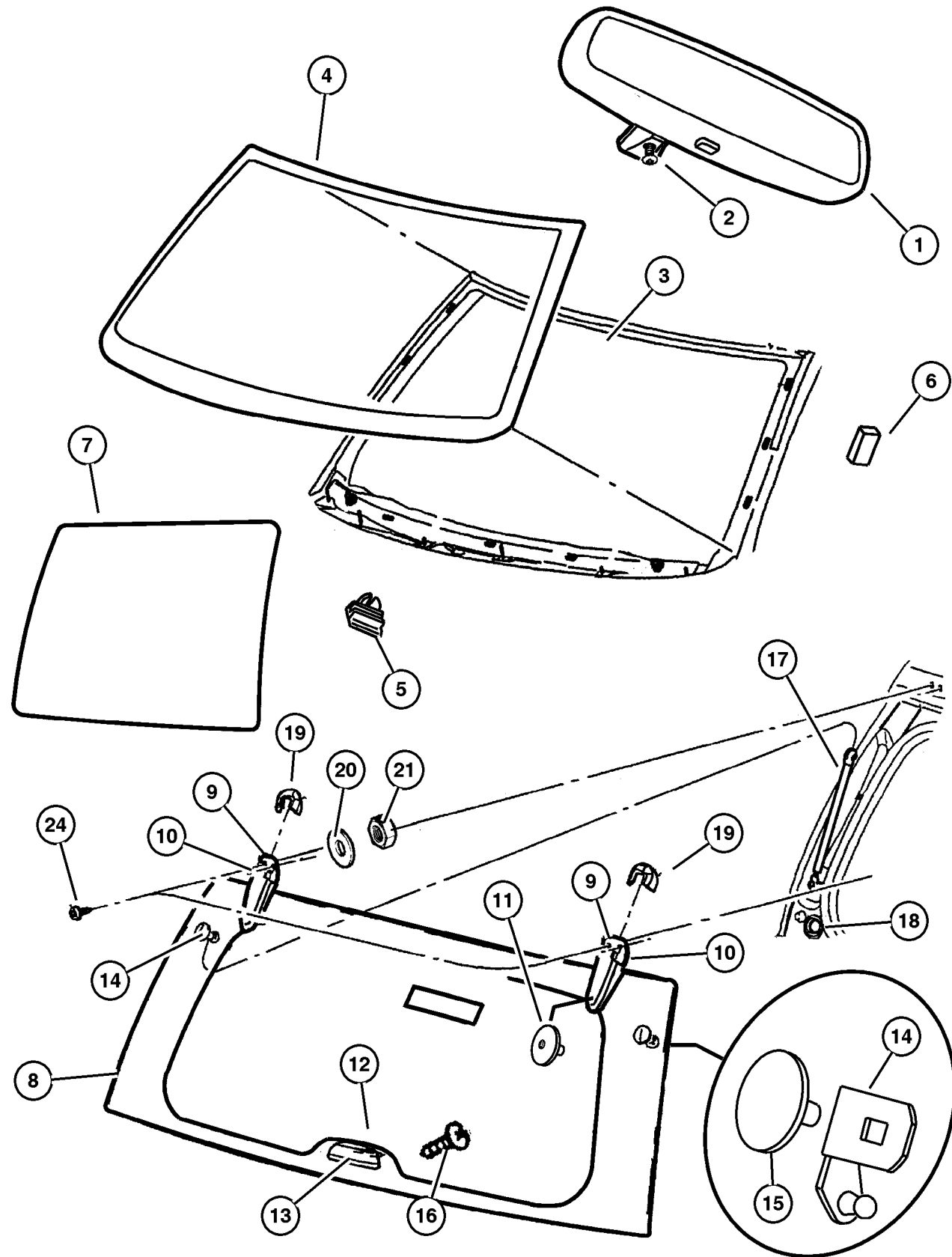
JEEP GRAND CHEROKEE (WJ)

SERIES	LINE	BODY	ENGINE	TRANSMISSION
H=Laredo	J = 4WD	74 = 4 Door(105.9 WB)	ER0, ERH = 4.0L, Power Tech I-6	DGK = 4 Speed Autm, 42RE
P=Limited	T = 2WD		EVO, EVA = 4.7L, Power Tech V8	DGW = 4 Speed Automatic, -44RE
	U = 4WD (RHD)		EXA, EX0 = 3.1L, 5 Cyl Turbo Diesel	DG4 = Multi Speed Automatic, -45RFE
				DGO = All Automatic

AR = Use as required - = Non illustrated part # = New this model year

April 3, 2002

Glass, Windshield, Backlite, Quarter Window, Rear View Mirror
Figure SWJ-710



ITEM	PART NUMBER	QTY	LINE	BODY	DESCRIPTION
Sales Codes: f your vehicle has a Cover, Seat Latch, Item 27. Vehicles built prior to February of 2000 will not have a Seat Latch Cover. Look for a Cover on vehicl					
[GED] = Tinted f your vehicle has a Cover, Seat Latch, Item 27. Vehicles built prior to February of 2000 will not have a Seat Latch Cover. Look for a Cover on vehicl					
[GEG] = Sunscreen f your vehicle has a Cover, Seat Latch, Item 27. Vehicles built prior to February of 2000 will not have a Seat Latch Cover. Look for a Cover on vehicl					
1					MIRROR, Inside Rear View
	4299 325	1			Prismatic
	5515 5380	1			Automatic
2	6031 094	1			SCREW, Pan Head Tapping, .19-16x.375
3	5507 6401	1			BUTTON, Rear View Mirror
4					WINDSHIELD
	55136 054AC	1			
	55136 944AB	1			Export
5	5502 8214	9			SPACER, Windshield
6	55275 388AB	2			SPACER, Windshield
7					GLASS, Quarter Window
	55135 788AC	1			Tinted, Right
	55135 789AC	1			Tinted, Left
	55135 796AC	1			Tinted, With Antenna, Right,Export
	55135 797AC	1			Tinted, Left,Export
	55135 808AC	1			Privacy, Right
	55135 809AC	1			Privacy, Left
	55135 816AC	1			Privacy, With Antenna, Right,Export
	55135 817AC	1			Privacy, Left,Export
8					GLASS, Liftgate Flipper
	55136 035AB	1			Tinted, Up to 3-7-00, Export
	#55136 035AC	1			Tinted, After 3-7-00, Export
	55136 050AB	1			Privacy, Up to 3-7-00, Export
	#55136 050AC	1			Privacy, After 3-7-00, Export
	55136 975AA	1			Tinted, [GED]
	55136 980AA	1			Privacy, [GEG], Up to 3-7-00
	#55136 980AB	1			Privacy, [GEG], After 3-7-00
9					HINGE, Liftglass
	55136 684AA	1			Up to 3-7-00, Right
	55136 685AA	1			Up to 3-7-00, Left
	#5019 418AA	1			After 3-7-00, Right
	#5019 419AA	1			After 3-7-00, Left
10	5507 5164	4			GASKET, Liftgate Hinge
11	6502 900	2			SCREW, Special Head, M6x1x12.7, Hinge to Glass
12	5513 6045	1			GASKET, Liftgate Handle
13	5513 6048	1			HANDLE, Flipper Window
14					BALL STUD, Liftgate Glass

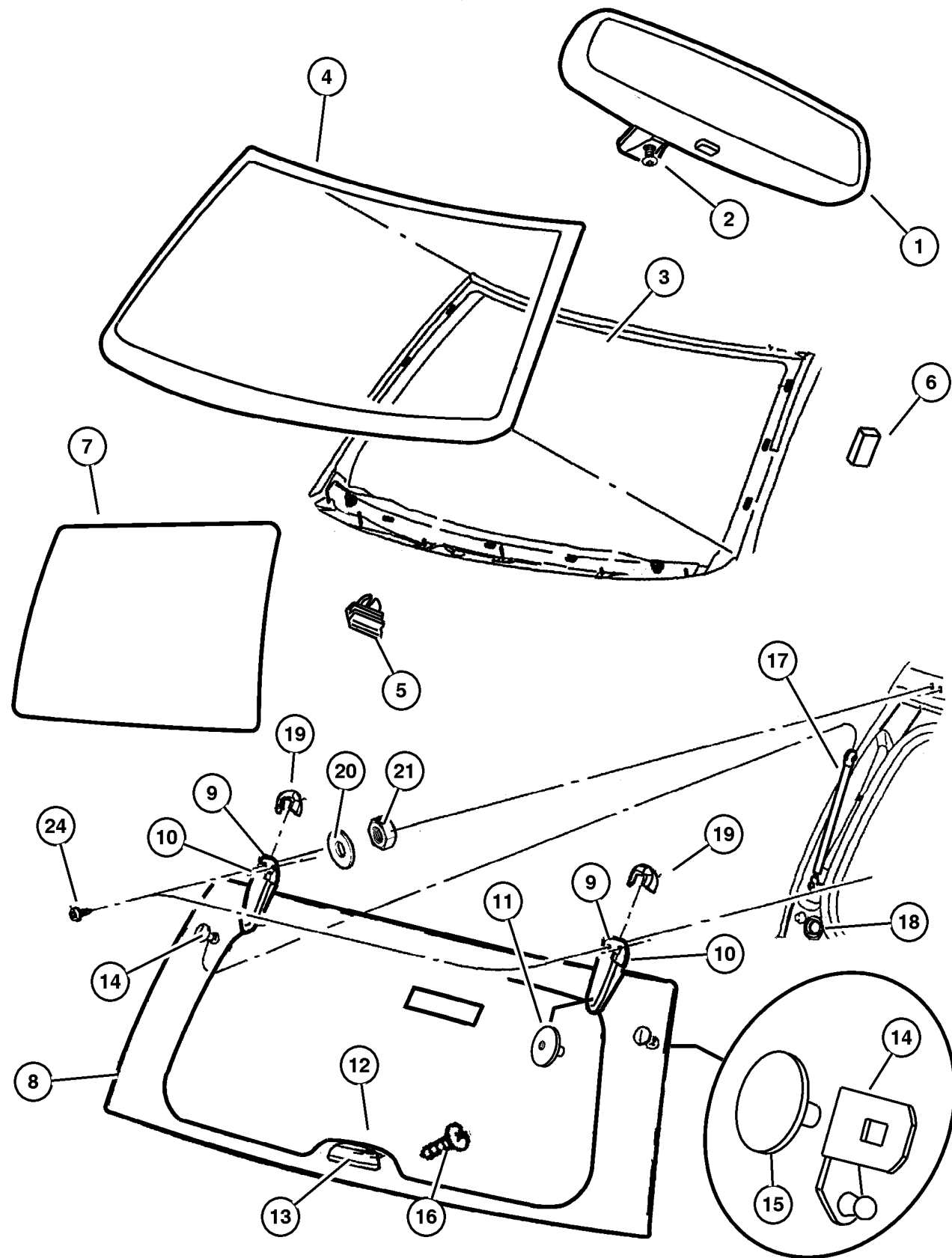
JEEP GRAND CHEROKEE (WJ)

SERIES	LINE	BODY	ENGINE	TRANSMISSION
H=Laredo	J = 4WD	74 = 4 Door(105.9 WB)	ER0, ERH = 4.0L, Power Tech I-6	DGK = 4 Speed Autm, 42RE
P=Limited	T = 2WD		EVO, EVA = 4.7L, Power Tech V8	DGW = 4 Speed Automatic, -44RE
	U = 4WD (RHD)		EXA, EX0 = 3.1L, 5 Cyl Turbo Diesel	DG4 = Multi Speed Automatic, -45RFE
				DGO = All Automatic

AR = Use as required - = Non illustrated part # = New this model year

April 3, 2002

Glass, Windshield, Backlite, Quarter Window, Rear View Mirror
Figure SWJ-710



ITEM	PART NUMBER	QTY	LINE	BODY	DESCRIPTION
	55136 968AA	1		Right	
	55136 969AA	1		Left	
15	6506 200AA	2			FASTENER
16	6035 479	2			SCREW AND WASHER
17	55136 965AA	2			GAS CYLINDER, Liftgate Glass
18	55136 845AA	2			BUMPER, Liftgate Glass
19					COVER, Hinge
	4717 486AB	1		Right	
	4717 487AB	1		Left	
20	5529 5914	4			GASKET, Ball Stud
21	6504 513	2			NUT AND WASHER, Hex Nut-Coned Washer, M6 x 1.00
-22	5513 6044	1			STRIKER, Liftgate Glass
-23	5507 6299	2			CAP, Lock Cylinder, Locks Prop Rod
24	6504 440	2			SCREW

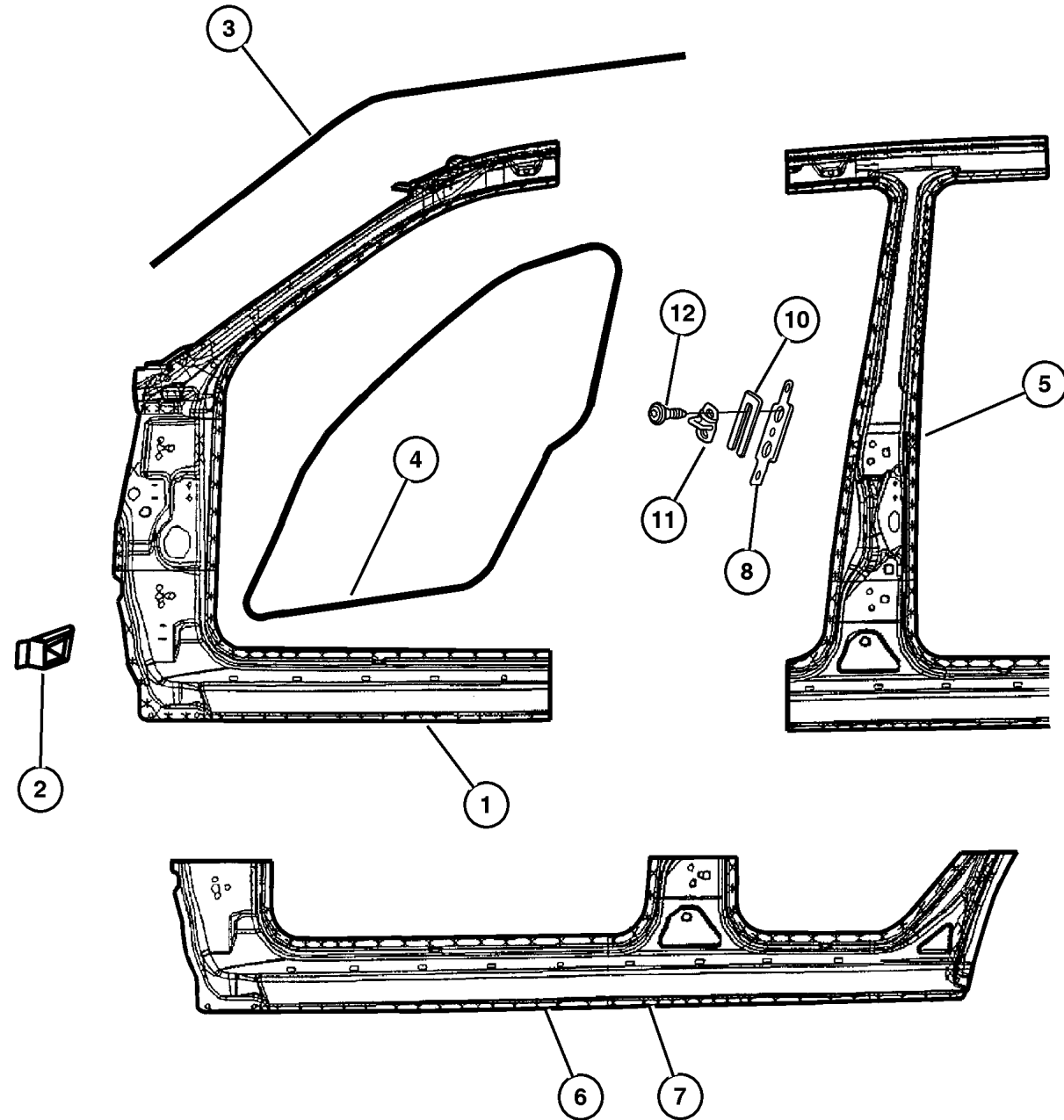
JEEP GRAND CHEROKEE (WJ)

SERIES	LINE	BODY	ENGINE	TRANSMISSION
H=Laredo	J = 4WD	74 = 4 Door(105.9 WB)	ER0, ERH = 4.0L, Power Tech I-6	DGK = 4 Speed Autm, 42RE
P=Limited	T = 2WD		EVO, EVA = 4.7L, Power Tech V8	DGW = 4 Speed Automatic, -44RE
	U = 4WD (RHD)		EXA, EX0 = 3.1L, 5 Cyl Turbo Diesel	DG4 = Multi Speed Automatic, -45RFE
				DGO = All Automatic

AR = Use as required - = Non illustrated part # = New this model year

April 3, 2002

Panels, Body Side
Figure SWJ-810



ITEM	PART NUMBER	QTY	LINE	BODY	DESCRIPTION
1					PANEL, Body Side Aperture Front
	5013 006AA	1			Right
	5013 007AA	1			Left
2					TAPPING PLATE, Door Hinge, Also serviced in Item #1
	55136 436AB	1			Right
	55136 437AB	1			Left
3					SEAL, Body Side
	55135 869AB	1			Upper,Right
	55135 872AB	1			Upper,Left
4					SEAL, Front Door
	55135 918AC	1			Right
	55135 919AC	1			Left
5					PANEL, Body Side Aperture Center
	5013 008AA	1			Right
	5013 009AA	1			Left
6					SILL, Body Side, Complete
	5013 062AA	1			Right
	5013 063AA	1			Left
7					PANEL, Side Sill, Outer Only
	5017 868AA	1			Right
	5017 869AA	1			Left
8	55135 503AB	2			TAPPING PLATE, Striker
-9	#55363 274AA	AR			LABEL, Mercury Warning
10	4520 289	AR			SPACER, Door Latch Striker
11	4780 259	2			STRIKER, Door
12	6504 573	4			SCREW, Oval Head, SCREW

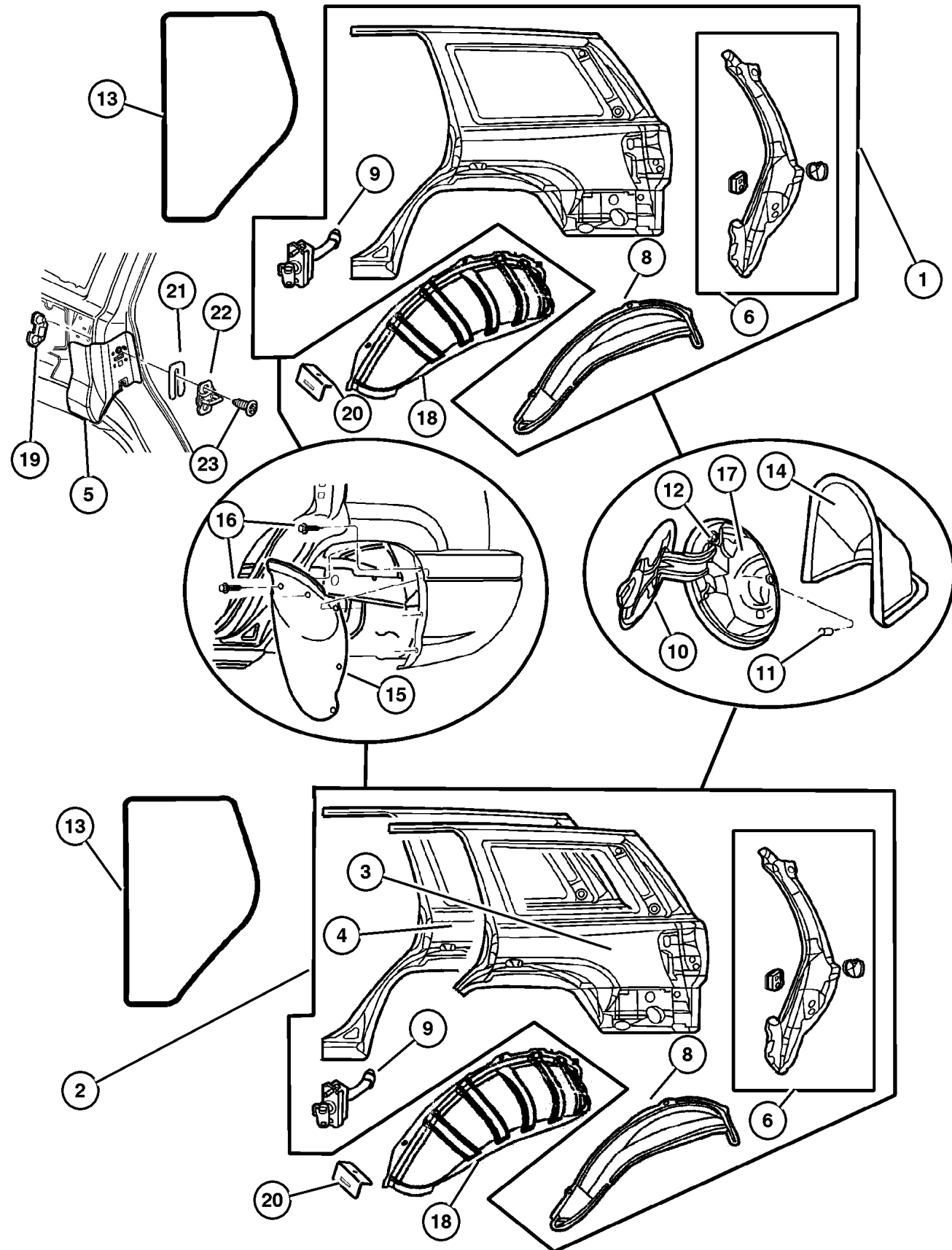
JEEP GRAND CHEROKEE (WJ)

SERIES	LINE	BODY	ENGINE	TRANSMISSION
H=Laredo	J = 4WD	74 = 4 Door(105.9 WB)	ER0, ERH = 4.0L, Power Tech I-6	DGK = 4 Speed Autm, 42RE
P=Limited	T = 2WD		EV0, EVA = 4.7L, Power Tech V8	DGW = 4 Speed Automatic, -44RE
	U = 4WD (RHD)		EXA, EX0 = 3.1L, 5 Cyl Turbo Diesel	DG4 = Multi Speed Automatic, -45RFE
				DGO = All Automatic

AR = Use as required - = Non illustrated part # = New this model year

April 3, 2002

Panels, Rear Quarter
Figure SWJ-910



ITEM	PART NUMBER	QTY	LINE	BODY	DESCRIPTION
The difference between item #1 and item #2 is the cut of the Quarter Panel. Item #1 contains part of the bottom sill. If your vehicle has a Cover, Seat Latch, Item 27. Vehicles built prior to February of 2000 will not have a Seat Latch Cover. Look for a Cover on					
1					PANEL, Body Side Aperture Rear, Complete, Includes Tailamp Pocket
	5013 058AA	1			Right
	5013 059AA	1			Left
2					PANEL, Quarter Corner, Includes Tailamp Pocket
	5013 060AA	1			Right
	5013 061AA	1			Left
3					PANEL, Quarter, Outer Only, Without Dogleg
	5017 866AA	1			Right
	5017 867AA	1			Left
4	#5017 866AB	1			PANEL, Quarter, Outer Only, With Dogleg, Right
5					REINFORCEMENT, Door Striker
	55135 508AC	1			Right
	55135 509AC	1			Left
6					TROUGH, Liftgate Opening
	55135 428AC	1			Right
	55135 429AC	1			Left
-7	6503 526	4			SCREW, Truss Head, M6x1x15, Stabilizer to Drain Trough Mounting
8					PANEL, Rear Wheelhouse
	55136 546AB	1			Right
	55136 547AB	1			Left
9					CHECK, Rear Door
	55135 658AB	1			Right
	55135 659AB	1			Left
10	55135 514AB	1			DOOR, Fuel Fill
11	55135 519AB	2			BUMPER, Fuel Door
12	6504 946AA	2			SCREW, Hex Flange Head, M6x1.0x16.0
13					SEAL, Rear Door
	55135 958AC	1			Right
	55135 959AC	1			Left
14	55136 178AB	1			REINFORCEMENT, Fuel Filler Door
15					SHIELD, Splash
	55136 636AC	1			Rear,Right,Export
	55136 637AC	1			Rear,Left,Export
	#55136 500AD	1			Rear,Right
	#55136 501AD	1			Rear,Left
16	3420 1631	4			RIVET, M6.25x28 Black
17	55135 511AB	1			HOUSING, Fuel Filler
18					WHEELHOUSE, Rear Inner
	55136 996AA	1			Right

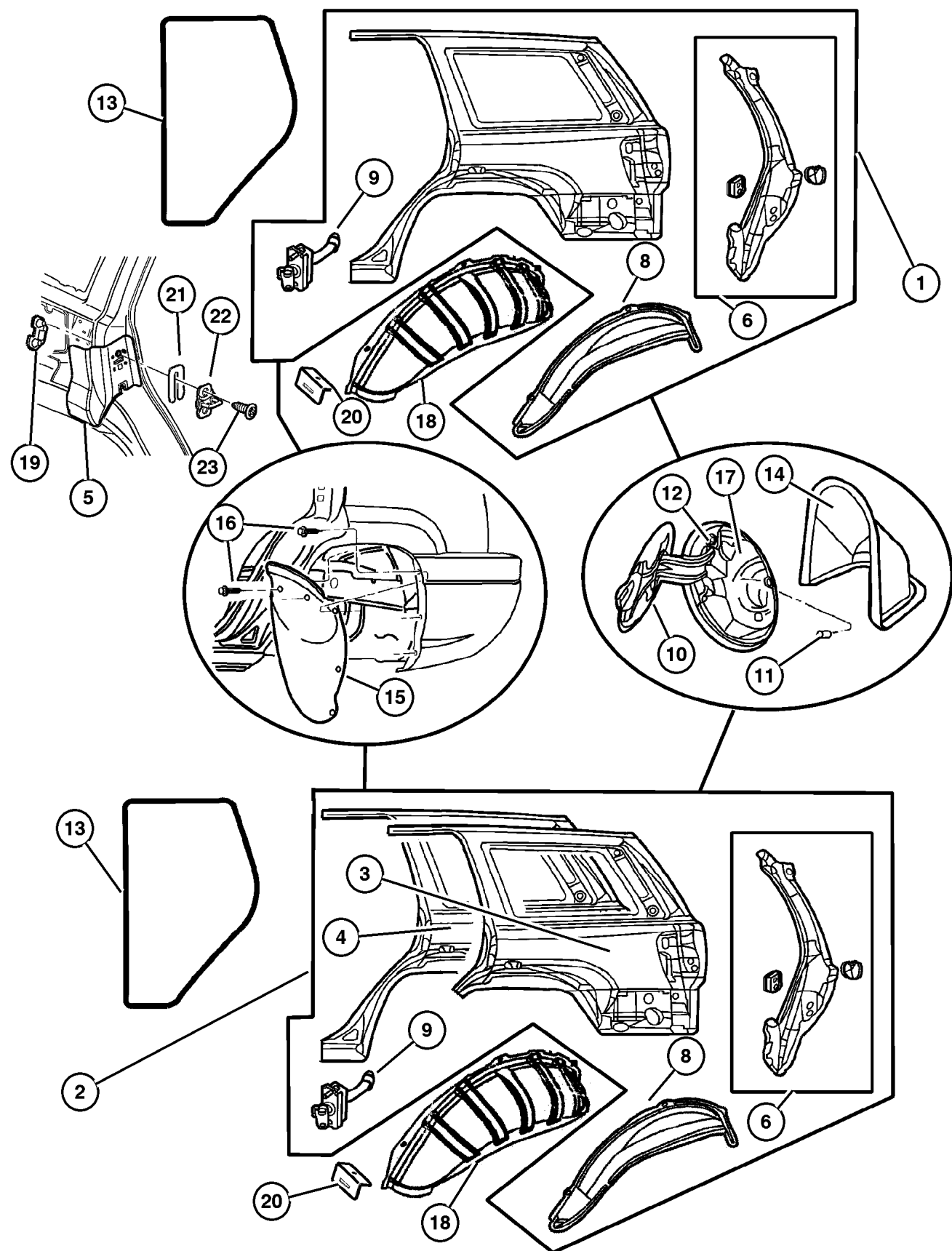
JEEP GRAND CHEROKEE (WJ)

SERIES	LINE	BODY	ENGINE	TRANSMISSION
H=Laredo	J = 4WD	74 = 4 Door(105.9 WB)	ER0, ERH = 4.0L, Power Tech I-6	DGK = 4 Speed Autm, 42RE
P=Limited	T = 2WD		EV0, EVA = 4.7L, Power Tech V8	DGW = 4 Speed Automatic, -44RE
	U = 4WD (RHD)		EXA, EX0 = 3.1L, 5 Cyl Turbo Diesel	DG4 = Multi Speed Automatic, -45RFE
				DGO = All Automatic

AR = Use as required - = Non illustrated part # = New this model year

April 3, 2002

Panels, Rear Quarter
Figure SWJ-910



ITEM	PART NUMBER	QTY	LINE	BODY	DESCRIPTION
	55136 997AA	1			Left
19	4674 669	2			PLATE, Liftgate Striker
20	55136 998AA	2			BRACKET, Wheel House, Trim Panel Attach
21					SPACER, Door Latch Striker
	4520 289	AR			3.5 Thick
	5507 5483	AR			2.0 to 2.5 Thick
22	4780 259	2			STRIKER, Door
23	6504 573	4			SCREW, Oval Head, SCREW

JEEP GRAND CHEROKEE (WJ)

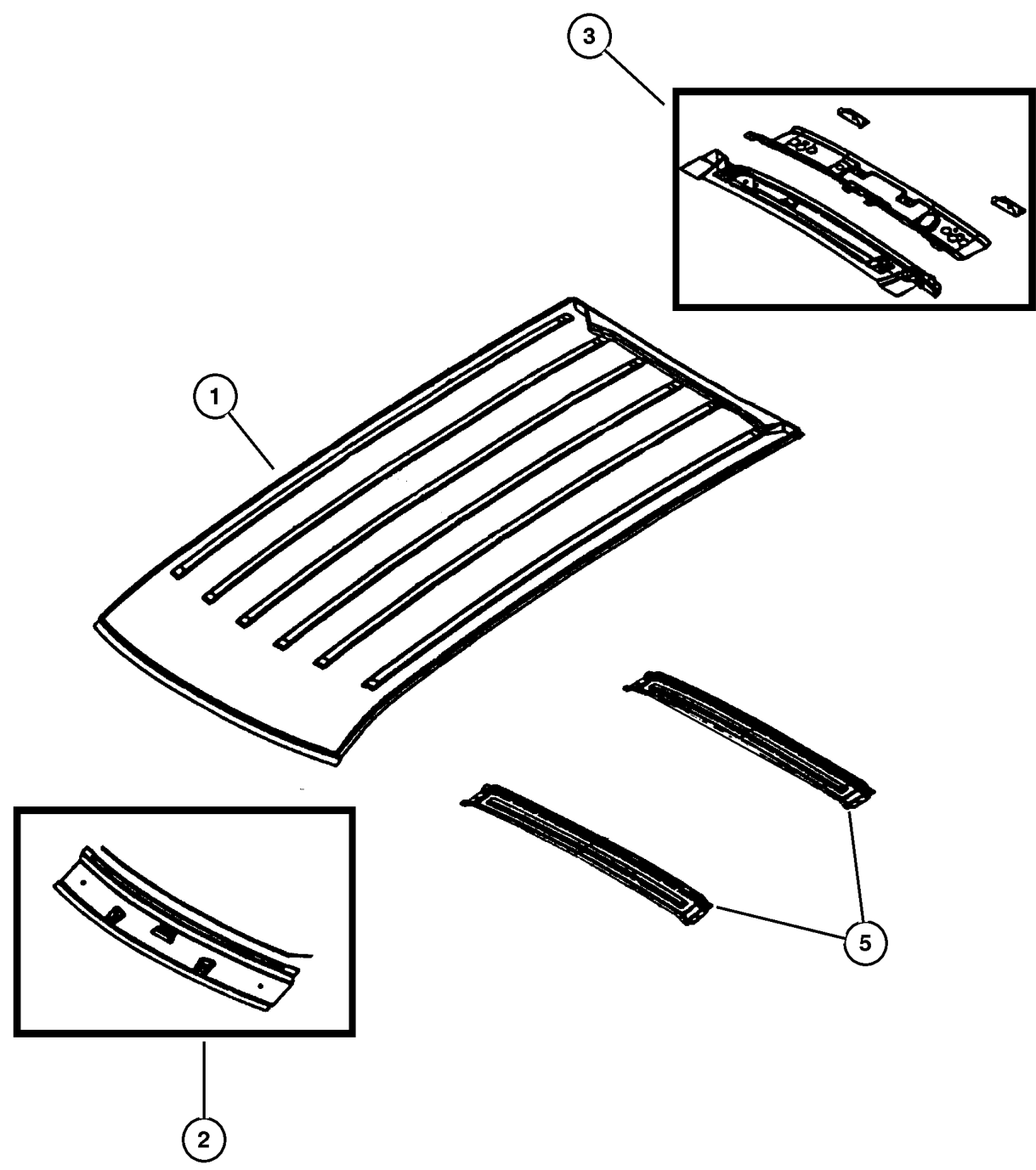
SERIES	LINE	BODY	ENGINE	TRANSMISSION
H=Laredo	J = 4WD	74 = 4 Door(105.9 WB)	ER0, ERH = 4.0L, Power Tech I-6	DGK = 4 Speed Autm, 42RE
P=Limited	T = 2WD		EVO, EVA = 4.7L, Power Tech V8	DGW = 4 Speed Automatic, -44RE
	U = 4WD (RHD)		EXA, EX0 = 3.1L, 5 Cyl Turbo Diesel	DG4 = Multi Speed Automatic, -45RFE
				DGO = All Automatic

AR = Use as required - = Non illustrated part # = New this model year

April 3, 2002

Panels, Roof
Figure SWJ-1110

ITEM	PART NUMBER	QTY	LINE	BODY	DESCRIPTION
1					PANEL, Roof
	55136 918AA	1			Export
	55135 404AC	1	J, T		Without Sunroof
	55135 461AC	1			With Sunroof
2	55135 545AB	1			HEADER, Roof Front
3	55135 523AC	1			HEADER, Panel, Rear
-4					RIVET, Blind, .25xM4/M7
	6503 938	2			Front Header Attach
		4			Roof Bow Attach
		2			Rear Header Attach
5	55135 424AD	2			BOW, Roof



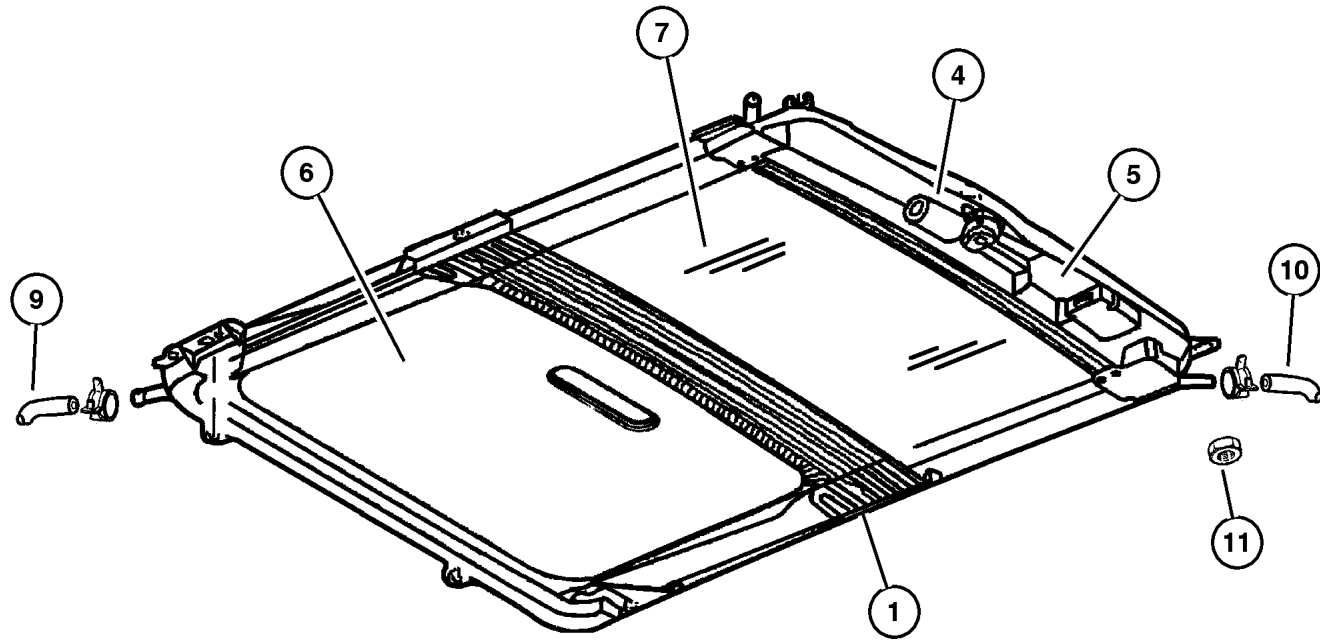
JEEP GRAND CHEROKEE (WJ)				
SERIES	LINE	BODY	ENGINE	TRANSMISSION
H=Laredo	J = 4WD	74 = 4 Door(105.9 WB)	ER0, ERH = 4.0L, Power Tech I-6	DGK = 4 Speed Autm, 42RE
P=Limited	T = 2WD		EVO, EVA = 4.7L, Power Tech V8	DGW = 4 Speed Automatic, -44RE
	U = 4WD (RHD)		EXA, EX0 = 3.1L, 5 Cyl Turbo Diesel	DG4 = Multi Speed Automatic, -45RFE
				DGO = All Automatic

AR = Use as required - = Non illustrated part # = New this model year

April 3, 2002

Sunroof
Figure SWJ-1210

ITEM	PART NUMBER	QTY	LINE	BODY	DESCRIPTION
1	5012 772AA	1			MODULE, Sunroof
-2	5012 765AA	1			DEFLECTOR, Sunroof Wind
-3	5012 769AA	1			CHANNEL, Sunroof Drain
4	5012 768AA	1			MOTOR, Sunroof
5	5012 771AB	1			CONTROL UNIT, Sunroof
6					SUNSHADE, Sunroof
	5EZ11 RK5AB	1			[K5]
	5EZ11 TL2AB	1			[AZ]
7	55135 858AB	1			GLASS, Sunroof
-8	5012 773AA	4			GUIDE, Sunroof Lid
9					HOSE, Sunroof Drain
	55136 966AC	1			Front,Right
	55136 967AD	1			Front,Left
10	55135 851AE	2			HOSE, Sunroof Drain, Rear
11	6503 504	2			NUT AND WASHER, Hex, M6x1
-12	4814 215	1			GROMMET, Tube, Sunroof Drain
-13	6502 843	9			NUT AND WASHER, Hex Nut-Coned Washer, M6 x 1.00, Sunroof to Roof Reinforcement Attach
-14	4805 378AB	6			CLIP, Tube, Sunroof Drain Hose Attach



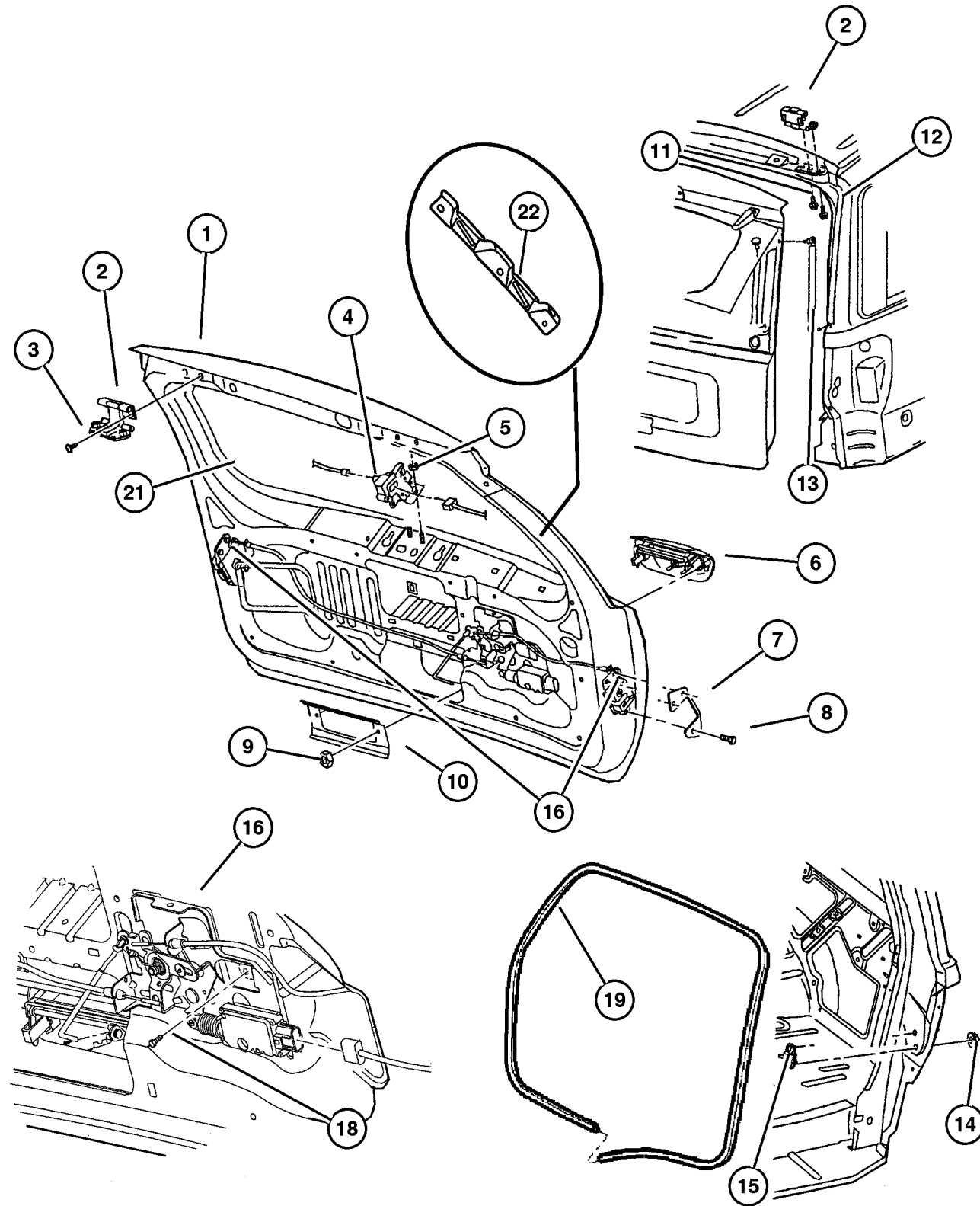
JEEP GRAND CHEROKEE (WJ)

SERIES	LINE	BODY	ENGINE	TRANSMISSION
H=Laredo	J = 4WD	74 = 4 Door(105.9 WB)	ER0, ERH = 4.0L, Power Tech I-6	DGK = 4 Speed Autm, 42RE
P=Limited	T = 2WD		EV0, EVA = 4.7L, Power Tech V8	DGW = 4 Speed Automatic, -44RE
	U = 4WD (RHD)		EXA, EX0 = 3.1L, 5 Cyl Turbo Diesel	DG4 = Multi Speed Automatic, -45RFE
				DGO = All Automatic

AR = Use as required - = Non illustrated part # = New this model year

April 3, 2002

Liftgate, Latch and Hinges Figure SWJ-1310

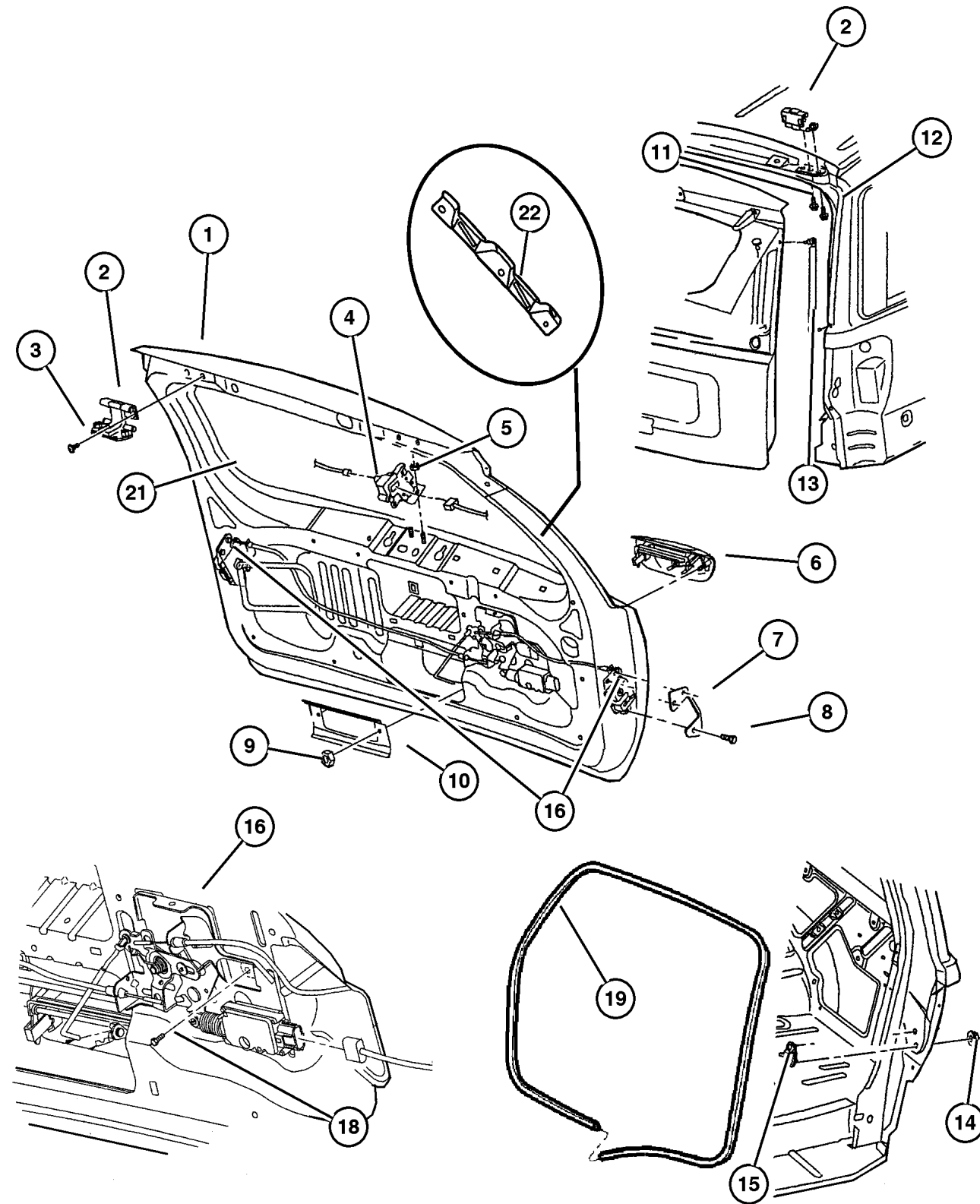


ITEM	PART NUMBER	QTY	LINE	BODY	DESCRIPTION
[ARN]= Laredo f your vehicle has a Cover, Seat Latch, Item 27. Vehicles built prior to February of 2000 will not have a Seat Latch Cover. Look for a Cover on vehicl					
[ARP]= Limited f your vehicle has a Cover, Seat Latch, Item 27. Vehicles built prior to February of 2000 will not have a Seat Latch Cover. Look for a Cover on vehicl					
1	55256 177AC	1			PANEL, Liftgate
2	55257 015AB	2			HINGE, Liftgate
3					SCREW AND WASHER, Hex Head, M8-1.25x30, (NOT SERVICED)
4	55136 740AA	1			LATCH, Liftgate Glass
5	6503 102	2			NUT AND WASHER, Hex Nut-Coned Washer, M6 x 1.00
6					HANDLE, Liftgate
	55136 699AB	1			
	5GD47 DX8AB	1			Black, [X8]
	5GD47 GW7AB	1			Bright White, [W7]
	5GD47 PR4AB	1			Flame Red, [R4]
	5GD47 SW1AB	1			Stone White, [W1]
	5GD47 TTKAB	1			Taupe Frost, [TK]
	5GD47 VAWAB	1			Deep Slate, [AW]
	5GD47 VTEAB	1			Champagne Pearl Metallic, [TE]
	5GD47 WB7AB	1			Patroit Blue, Steyr Built, [B7]
	5GD47 WBTAB	1			Patroit Blue, Jefferson Built, [BT]
	5GD47 WPTAB	1			Everglade, [PT]
	5GD47 WTHAB	1			Champagne Pearl, [TH]
	5GD47 WULAB	1			Sienna Tinted Pearl Coat, [UL]
	5GD47 WURAB	1			Sienna Pearl Coat, [UR]
	5GD47 XGRAB	1			Shalle Green Metallic, [GR]
	5GD47 XS5AB	1			Silvertone Metallic, [S5]
	5GD47 XSHAB	1			Silvertone Pearl Coat, [SH]
7					LATCH, Liftgate
	55136 910AA	1			Right
	55136 911AA	1			Left
8	6503 259	6			SCREW, Tapping, M6x1x20
9	6505 316AA	1			NUT
10	55136 696AB	1			BRACKET, Outside Door Handle
11	6505 337AA	2			SCREW AND WASHER, Hex Head
12	6506 458AA	4			SCREW AND WASHER, Hex Head, M8x1.25x25
13					SUPPORT, Liftgate Strut
	55137 022AA	1			Right
	55137 023AA	1			Left
14	6503 533	4			SCREW, Flange Head, M8x1.25x26
15					STRIKER, Liftgate
	55136 912AB	1			Right
	55136 913AB	1			Left

JEEP GRAND CHEROKEE (WJ)

SERIES	LINE	BODY	ENGINE	TRANSMISSION
H=Laredo	J = 4WD	74 = 4 Door(105.9 WB)	ER0, ERH = 4.0L, Power Tech I-6	DGK = 4 Speed Autm, 42RE
P=Limited	T = 2WD		EVO, EVA = 4.7L, Power Tech V8	DGW = 4 Speed Automatic, -44RE
	U = 4WD (RHD)		EXA, EX0 = 3.1L, 5 Cyl Turbo Diesel	DG4 = Multi Speed Automatic, -45RFE
				DGO = All Automatic

Liftgate, Latch and Hinges Figure SWJ-1310



ITEM	PART NUMBER	QTY	LINE	BODY	DESCRIPTION
16	#55136 742AC	1			LATCH, Liftgate
-17	5018 479AA	1			ACTUATOR, Decklid Lock
18	6501 979	1			SCREW AND WASHER, Hex Head, M6x1x17
19	55135 388AB	1			SEAL, Liftgate
-20	6505 435AA	4			NUT, Plastic, License Plate Ataching
21	55136 053AC	1			WEATHERSTRIP, Liftgate Glass
22					BRACKET, Liftgate
	55136 654AA	1			Right
	55136 655AB	1			Left

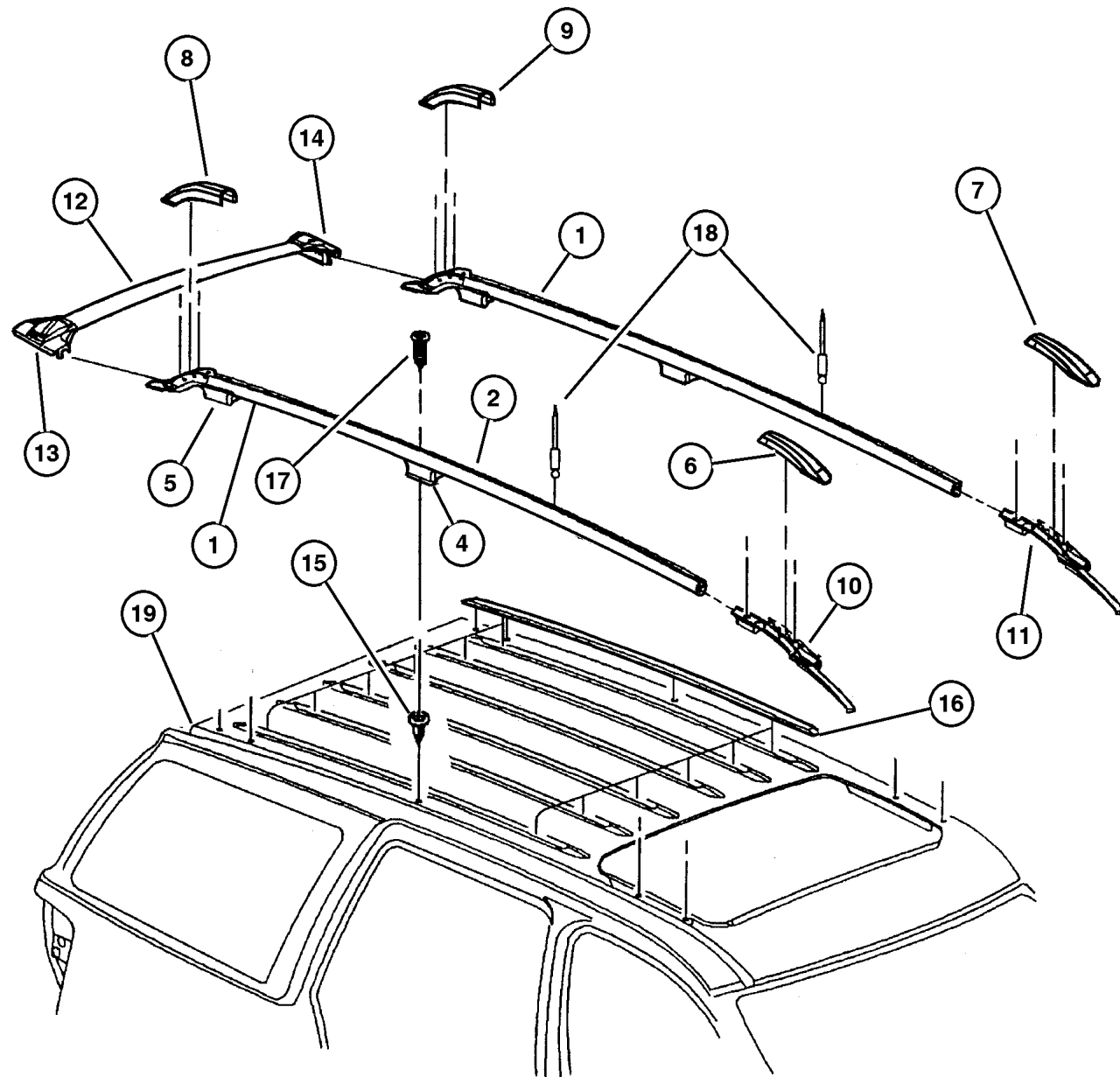
JEEP GRAND CHEROKEE (WJ)				
SERIES	LINE	BODY	ENGINE	TRANSMISSION
H=Laredo	J = 4WD	74 = 4 Door(105.9 WB)	ER0, ERH = 4.0L, Power Tech I-6	DGK = 4 Speed Autm, 42RE
P=Limited	T = 2WD		EV0, EVA = 4.7L, Power Tech V8	DGW = 4 Speed Automatic, -44RE
	U = 4WD (RHD)		EXA, EX0 = 3.1L, 5 Cyl Turbo Diesel	DG4 = Multi Speed Automatic, -45RFE
				DGO = All Automatic

AR = Use as required - = Non illustrated part # = New this model year

April 3, 2002

Roof Rack Figure SWJ-1610

ITEM	PART NUMBER	QTY	LINE	BODY	DESCRIPTION
1					RAIL, Luggage Rack Side
	#55136 848AB	1			Right
	#55136 849AB	1			Left
2					SPACER
	55136 838AA	1			Right
	55136 839AA	1			Left
-3	55136 842AA	2			GASKET
4					SUPPORT, Luggage Rack
	55136 854AA	1			Right,Center
	55136 855AA	1			Left,Center
5					SUPPORT, Roof Rack
	55136 836AA	1			Right,Rear
	55136 837AA	1			Left,Rear
6	55135 970AB	1			CAP, Side Rail, Front,Right
7	55135 971AB	1			CAP, Side Rail, Front,Left
8	55136 576AA	1			CAP, Side Rail, Rear,Right
9	55136 577AA	1			CAP, Side Rail, Rear,Left
10	55136 952AB	1			SUPPORT, Roof Rack, Front,Right
11	55136 953AB	1			SUPPORT, Roof Rack, Front,Left
12	5017 213AA	2			CROSS RAIL, Roof Rack
13	55136 850AA	2			STANCHION, LUGG RACK CROSS RAIL, Right
14	55136 851AA	2			STANCHION, LUGG RACK CROSS RAIL, Left
15	6506 104AA	10			NUT
16					SKID STRIP, Roof Rack
	55136 961AA	6			Export
	55135 987AB	6			
17					SCREW, Pan Head, M6x1.00x45.00, (NOT SERVICED)
18					RIVET, .125x.283, (NOT SERVICED)
19	55136 526AB	2			



JEEP GRAND CHEROKEE (WJ)

SERIES	LINE	BODY	ENGINE	TRANSMISSION
H=Laredo	J = 4WD	74 = 4 Door(105.9 WB)	ER0, ERH = 4.0L, Power Tech I-6	DGK = 4 Speed Autm, 42RE
P=Limited	T = 2WD		EV0, EVA = 4.7L, Power Tech V8	DGW = 4 Speed Automatic, -44RE
	U = 4WD (RHD)		EXA, EX0 = 3.1L, 5 Cyl Turbo Diesel	DG4 = Multi Speed Automatic, -45RFE
				DGO = All Automatic

AR = Use as required - = Non illustrated part # = New this model year

April 3, 2002